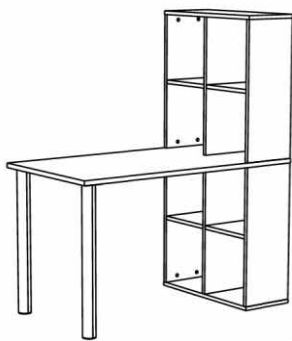


ERE

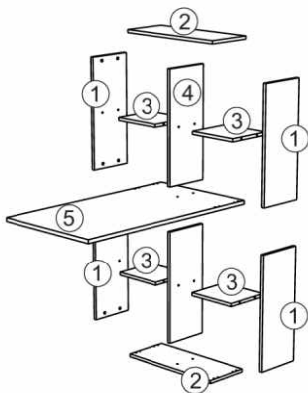
SAV
SPAREPARTS
KUNDEDIENST
POST VENTAS
SERVICE NA VERKOOP
SERVIZIO POST-VENDITA
SERVICO DEPOIS DE VENDA
SERWIS POGWARANCYJNY

361906

205604 BEXINTON



| Č | ROZMERY | KS |
|---|----------|----|
| 1 | 677x270 | 4 |
| 2 | 660x272 | 2 |
| 3 | 302x268 | 4 |
| 4 | 677x270 | 1 |
| 5 | 1200x660 | 1 |



2H 00 MN



WIGNEUSEMENT-A CONSERVER
ULTATION ULTERIEURE

ADDED CARREFULY-TO BE
LATER CONSULTATION
/ORSCHRIFTEN
CHZULESEN-AUFZUBEWAHREN
TEREN GEBRAUCH

ON ATENCION-CONSERVAR
TAS POSTERIORES



VEILIGHEID

BELANGRIJK-ZORGVULDIGGELEZEN TE WORDEN-BEWAARD
TE WORDEN VOOR LATERE RAADPLEGING



SICUREZZA

IMPORTANTE-DA LEGGERE ATTENTAMENTE-DA
CONSERVARE PER CONSULTAZIONE ULTERIORE



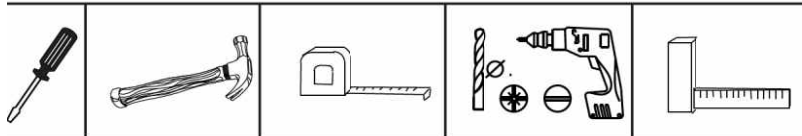
SEGURANCA

IMPORTANTE-PARA LER COM ATENCAO-PARA
CONSERVAR PARA COOSULTA ULTERIOR



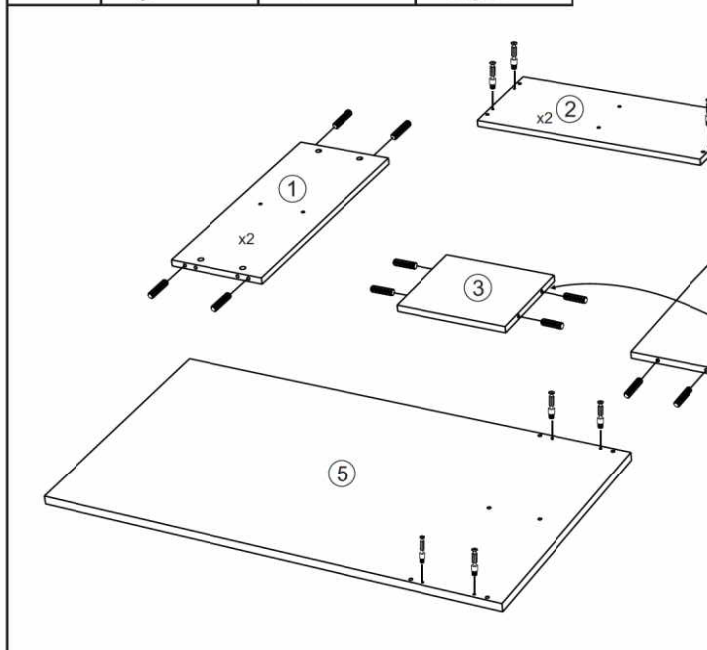
UPOZORNENIE

DOLEŽITÉ-PREŠTUDUJTEDOSLEDNE-UCHOV AJTEPREPÍP ADREKLAMÁCIE

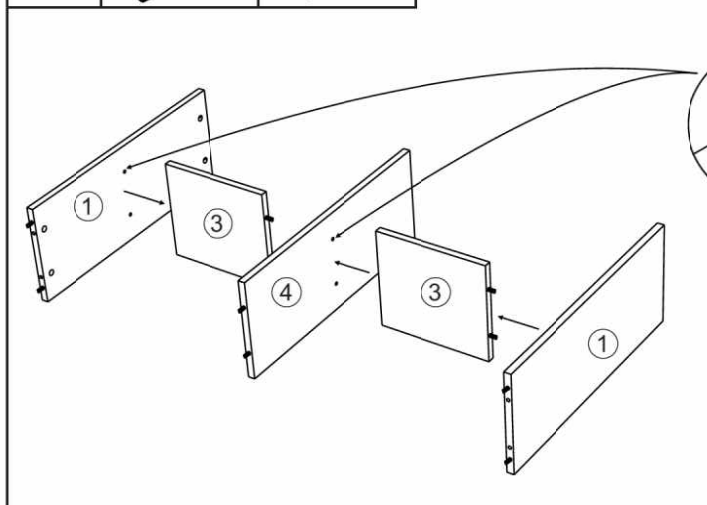


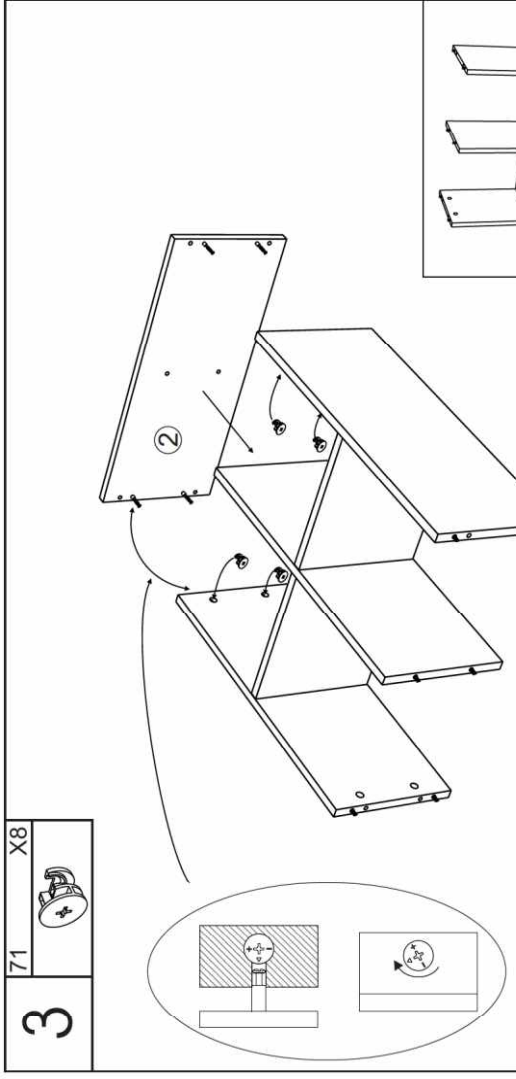
| | | | | | | | |
|--------|----|----|-----|----|-----|-----|----|
| 560 | X6 | 70 | X16 | 71 | X16 | 732 | X2 |
| | | | | | | | |
| 350098 | | | | X2 | | X8 | |
| | | | | | | | |

| | | | | | | |
|---|----|----|-----|-----|-----|----|
| 1 | 70 | X4 | 729 | X12 | 732 | X2 |
| | | | | | | |



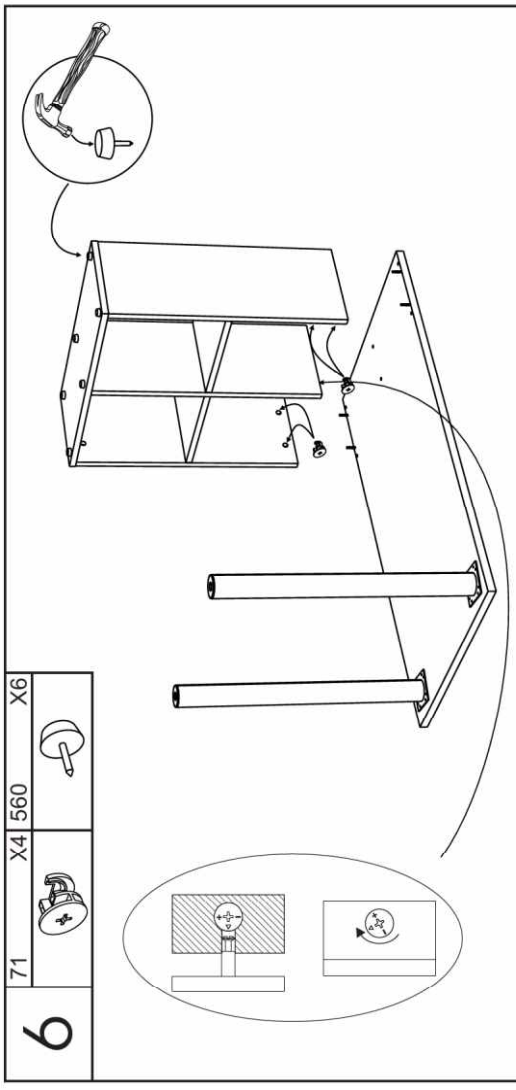
| | | | | |
|---|----|----|-----|-----|
| 2 | 70 | X4 | 729 | X12 |
| | | | | |





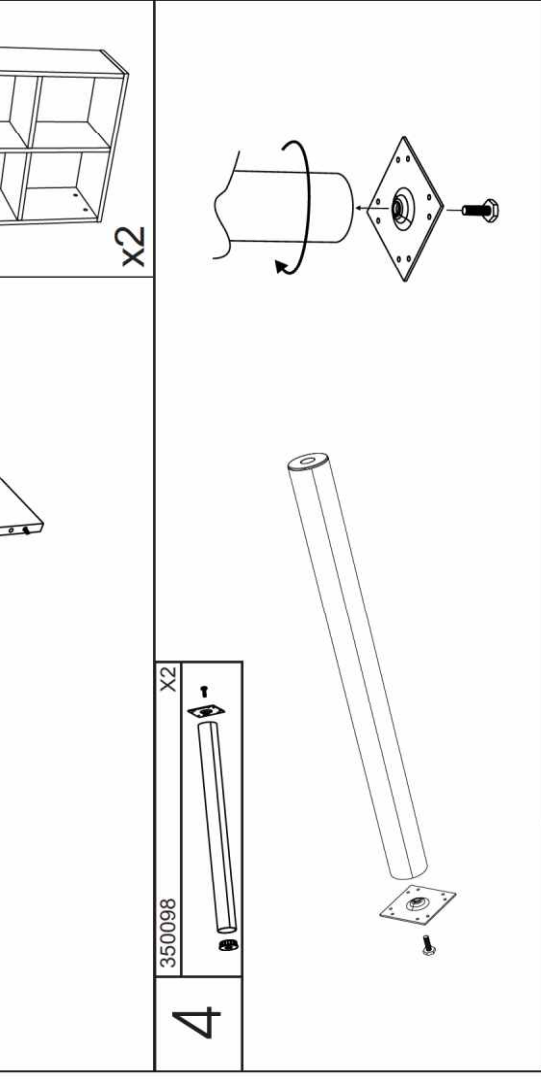
71 X8

3



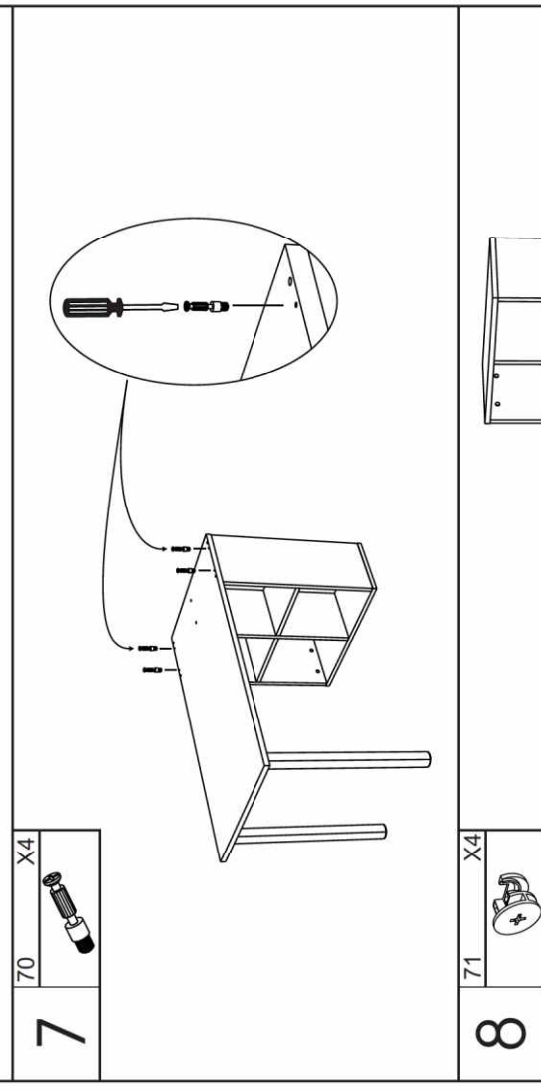
71 X4 560 X6

6



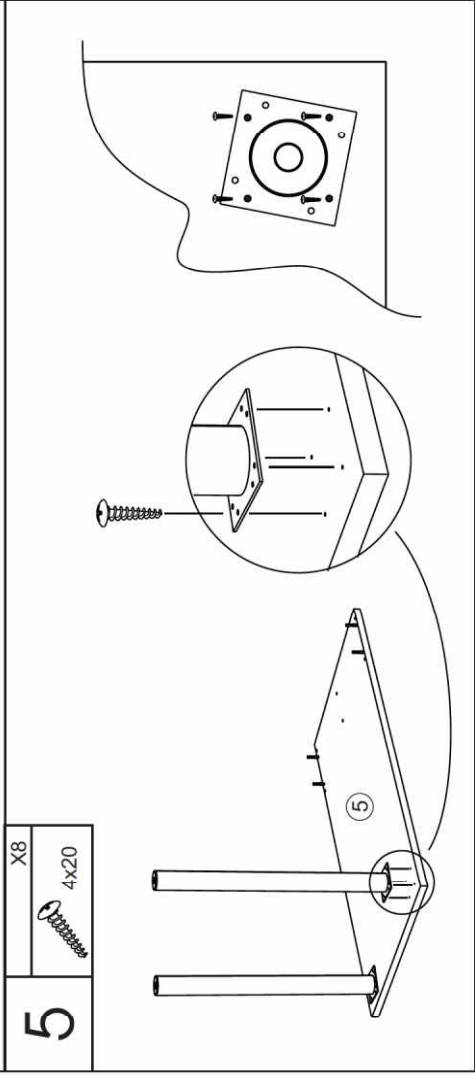
350098 X2

4



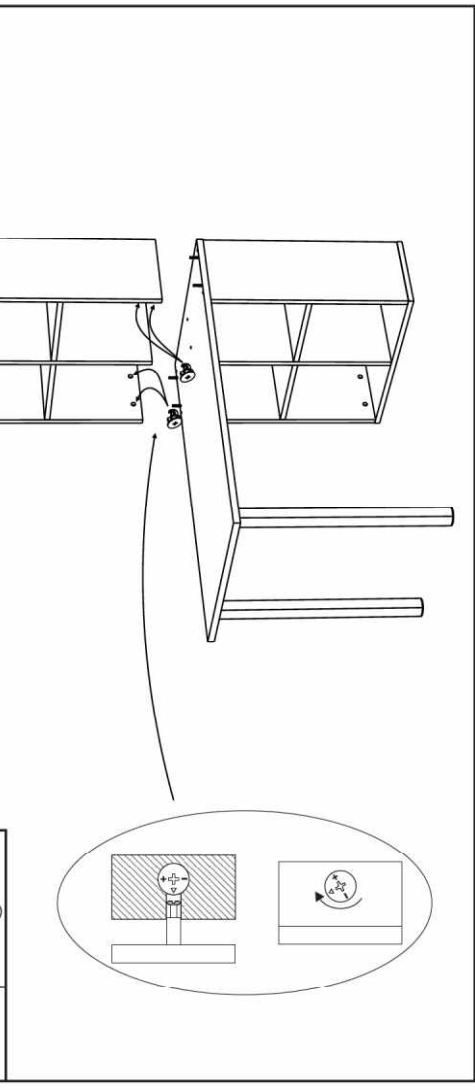
70 X4

7



X8 4x20

5



71 X4

8