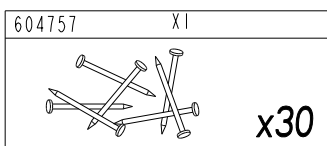
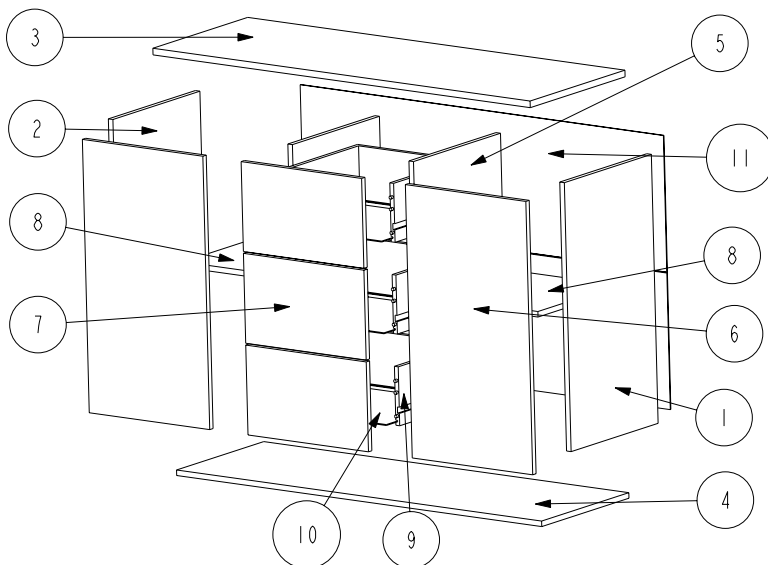

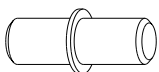
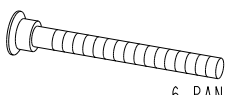
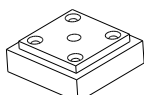
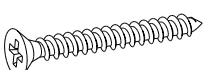


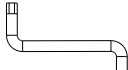

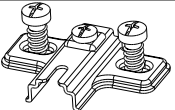
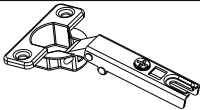


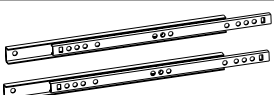
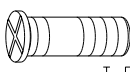
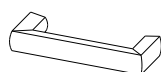


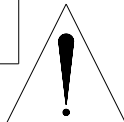
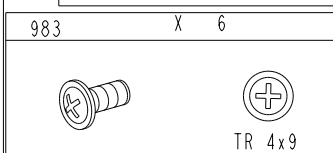
KOMODA SVIT B 1238



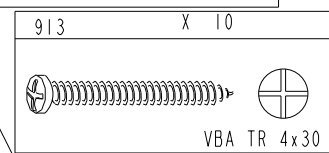
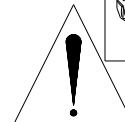
| Č | ROZMER | Q |
|----|------------|---|
| 1 | 730 x 388 | 1 |
| 2 | 730 x 388 | 1 |
| 3 | 1240 x 423 | 1 |
| 4 | 1200 x 389 | 1 |
| 5 | 730 x 388 | 2 |
| 6 | 742 x 396 | 2 |
| 7 | 396 x 244 | 3 |
| 8 | 377 x 360 | 2 |
| 9 | 325 x 358 | 3 |
| 10 | 343 x 323 | 3 |
| 11 | 1194 x 744 | 1 |



| | | | |
|--|---|---|--|
| 728 X 8  5x30 | 706 X 8  | 340750 X 8  6 PANS 7x50 | 350026 X 4  |
| 943 X 8  VBA TF 3.5x30 | 2707 X 1  | 916 X 1  VBA TR 4x13 | 434 X 1  |
| 732 X 2  GLUE | 333009 X 4  | 333012 X 4  | 949 X 8  VBA TF 4x15 |
| 340067 X 12  Ht: 15mm | 495 X 3  | 965 X 12  T FR 6.3x19 | 332096 X 5  |



1H30MN



FR SECURITE
RESPECTER LES INSTRUCTIONS DE MONTAGE DECRITES DANS LA NOTICE.

EN CAUTION
FOLLOW CAREFULLY THE ASSEMBLING INSTRUCTIONS DESCRIBED IN THE DIRECTIONS.

DE SICHERHEITSVORSCHRIFTEN
BEACHTEN SIE BITTE UNBEDINGT DIE ANGEgebenEN AUFBAUVORSCHRIFTEN.

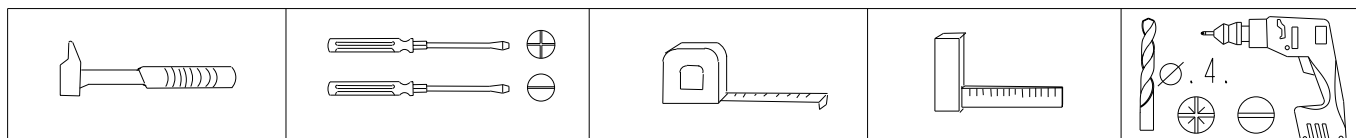
ES SEGURIDAD
RESPECTAR LAS INSTRUCCIONES DE MONTAJE DESCRIBIDAS EN EL FOLLETO.

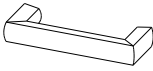


NL VEILIGHEID
DE IN DE GEBRUIKSAANWIJZING BESCHREVEN INSTRUCTIES RESPECTEREN.

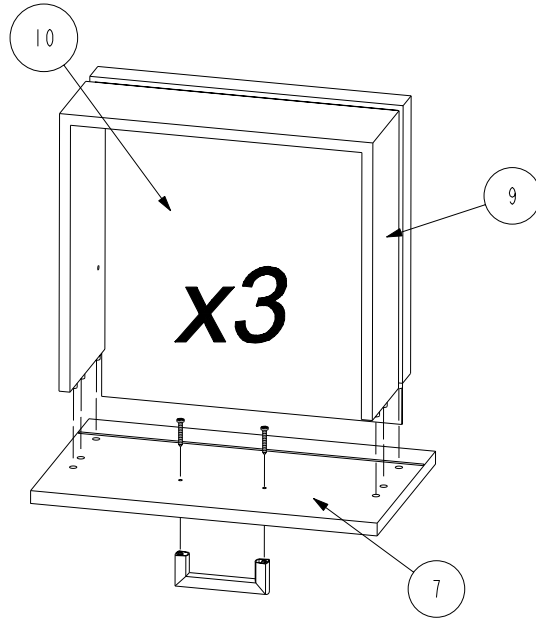
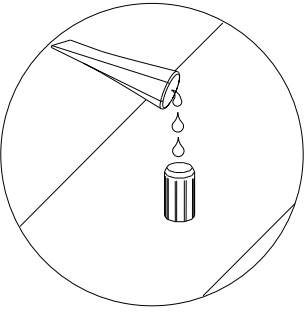
IT SICUREZZA
RISPETTARE LE INSTRUZIONI DI MONTAGGIO DESCRITTE NEEL 'AVVERTENZA.

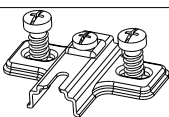


PT SEGURANCA
RESPECTAR AS INSTRUCCOES DE USO.

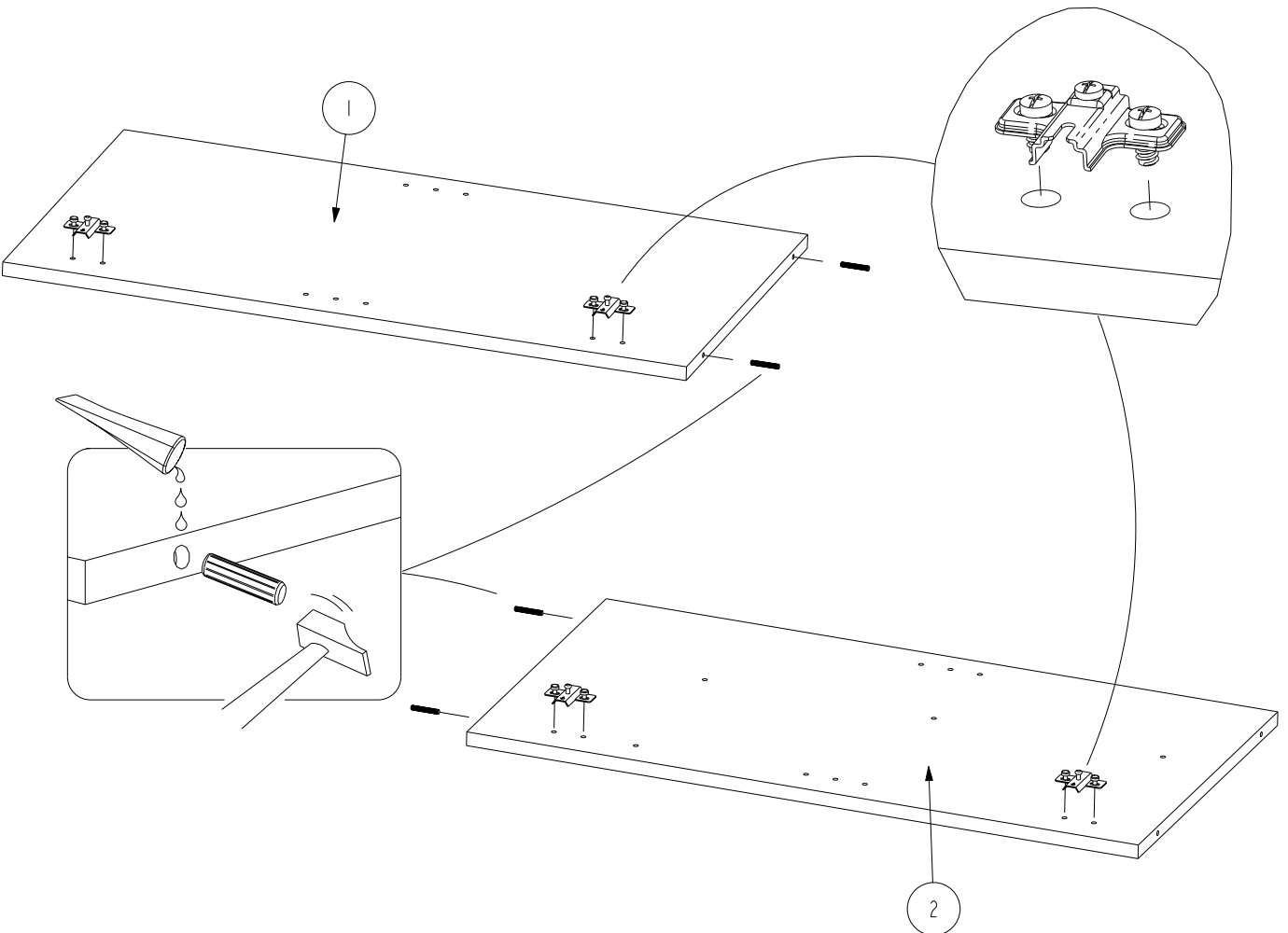
SK VAROVANIE
PRI MONTÁŽI POSTUPOJTE OPATRNE PODĽA MONTÁŽNEHO NÁVODU




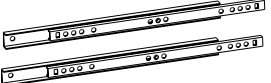
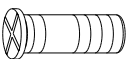
| | | | |
|----------|---|--|--|
| 1 | 332096 X 3 | 913 X6 | 732 X2 |
| |  |  VBA TR 4x30 |  GLUE |




| | | | |
|----------|--|---|---|
| 2 | 333009 X 4 | 728 X4 | 732 X2 |
| |  |  5x30 |  GLUE |

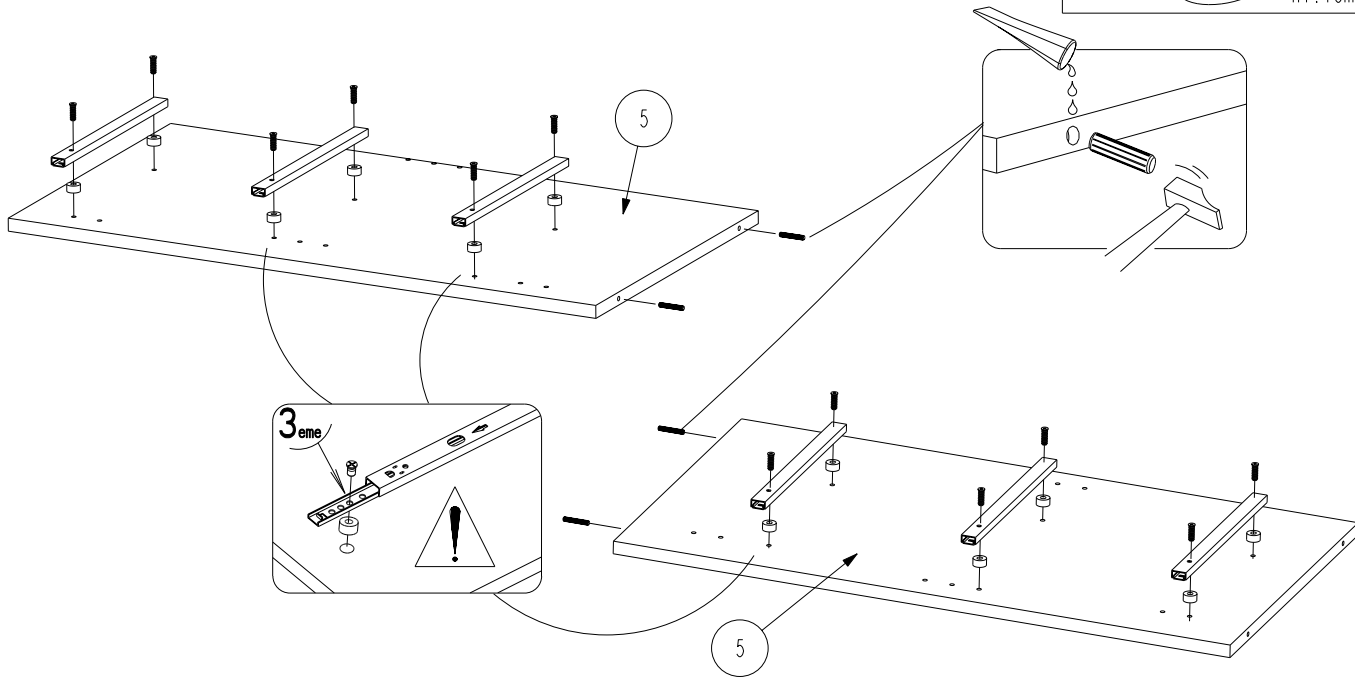


3

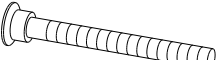

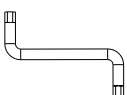
| | | | | | |
|---|------|---|-----|--|------|
| 728 | X 4 | 495 | X 3 | 965 | X 12 |
|  | |  | |  | |
| | 5x30 | | | T FR 6.3x19 | |

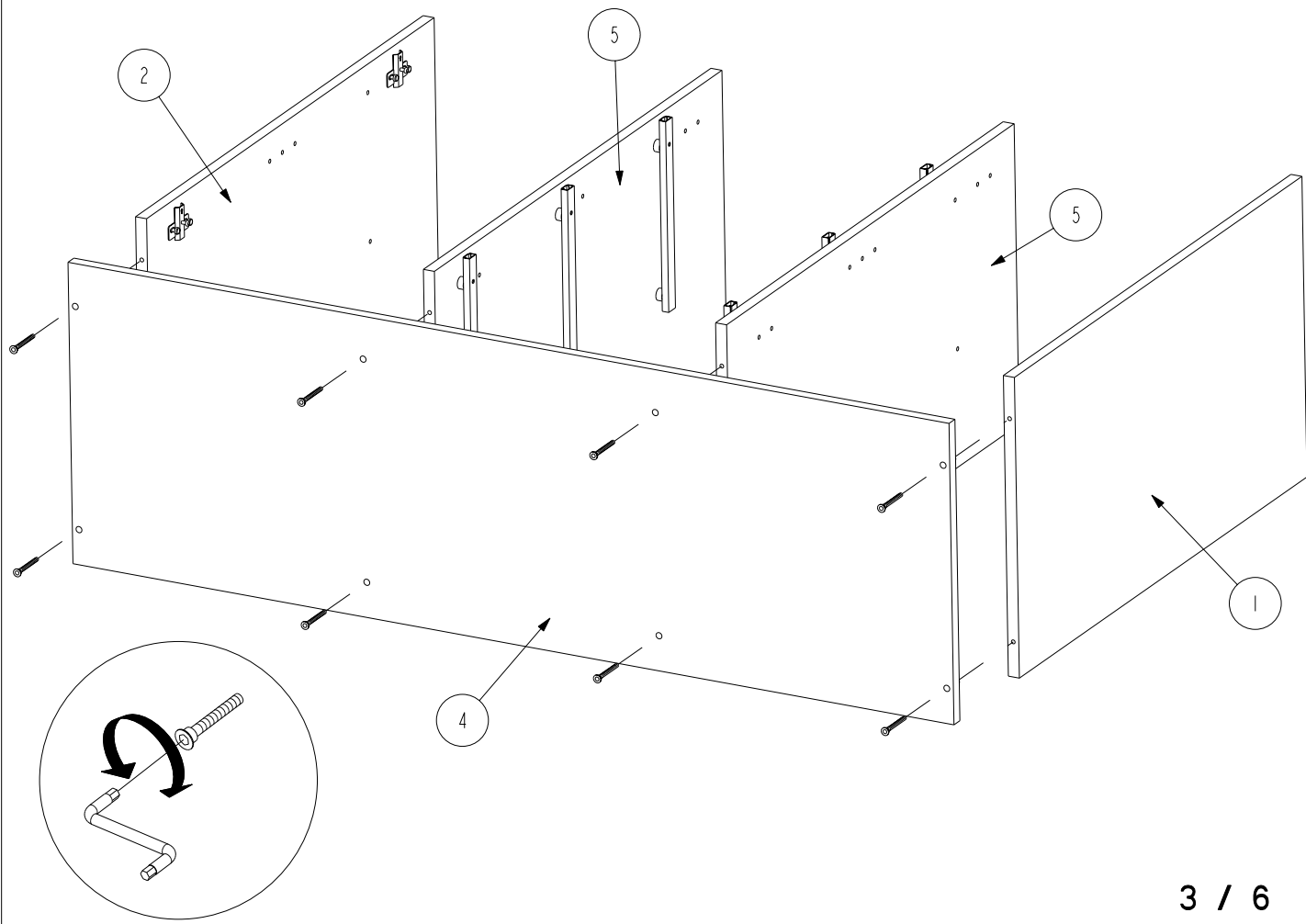
1102 1 29-Jul-09

| | |
|---|----------|
| 340067 | X 12 |
|  | |
| | Ht: 15mm |



4

| | | | |
|---|---|---|-----|
| 340750 | X 8 | 434 | X 1 |
|  |  |  | |
| 6 PANS 7x50 | | | |

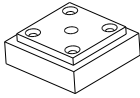


5

350026

X

4



943

X

8



VBA TF 3.5x30

2707

X

1



1102 | 29-Jul-09

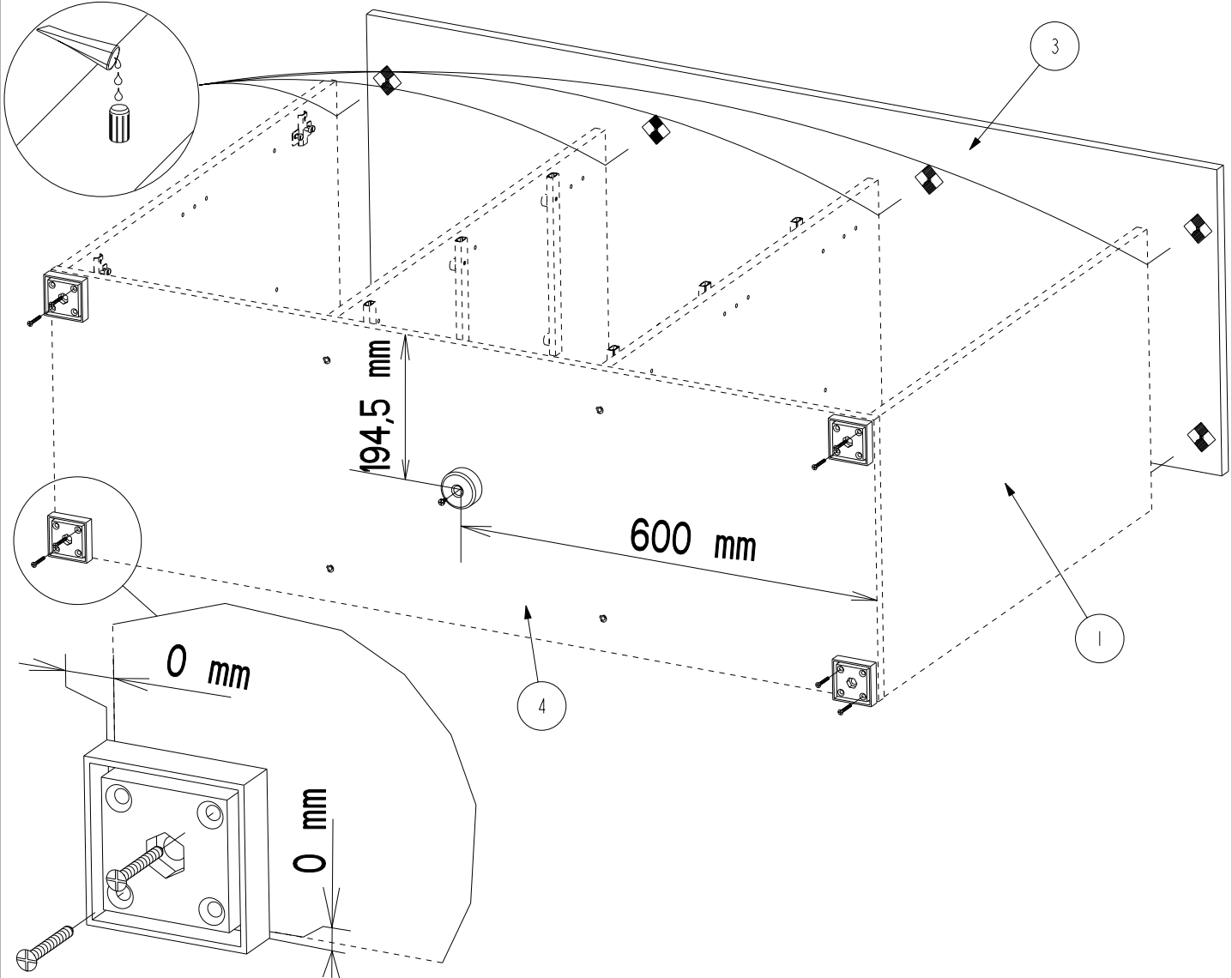
916

X

1



VBA TR 4x13

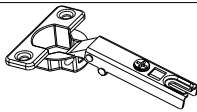


6

333012

X

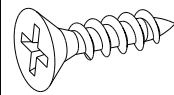
4



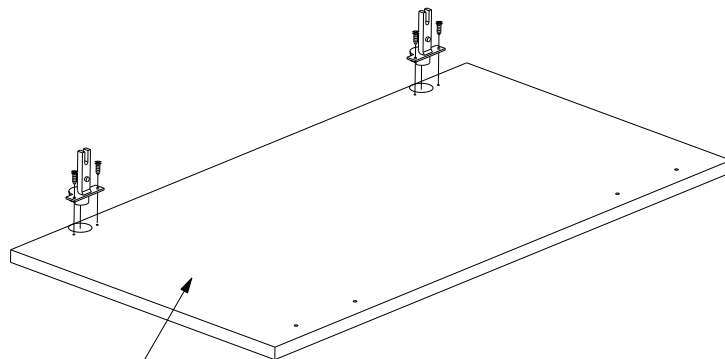
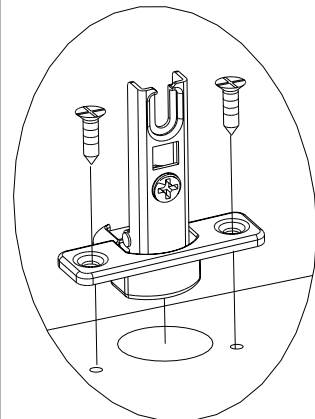
949

X

8

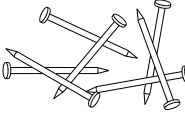


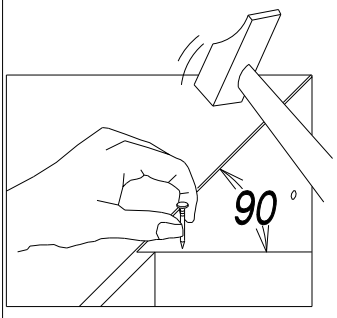
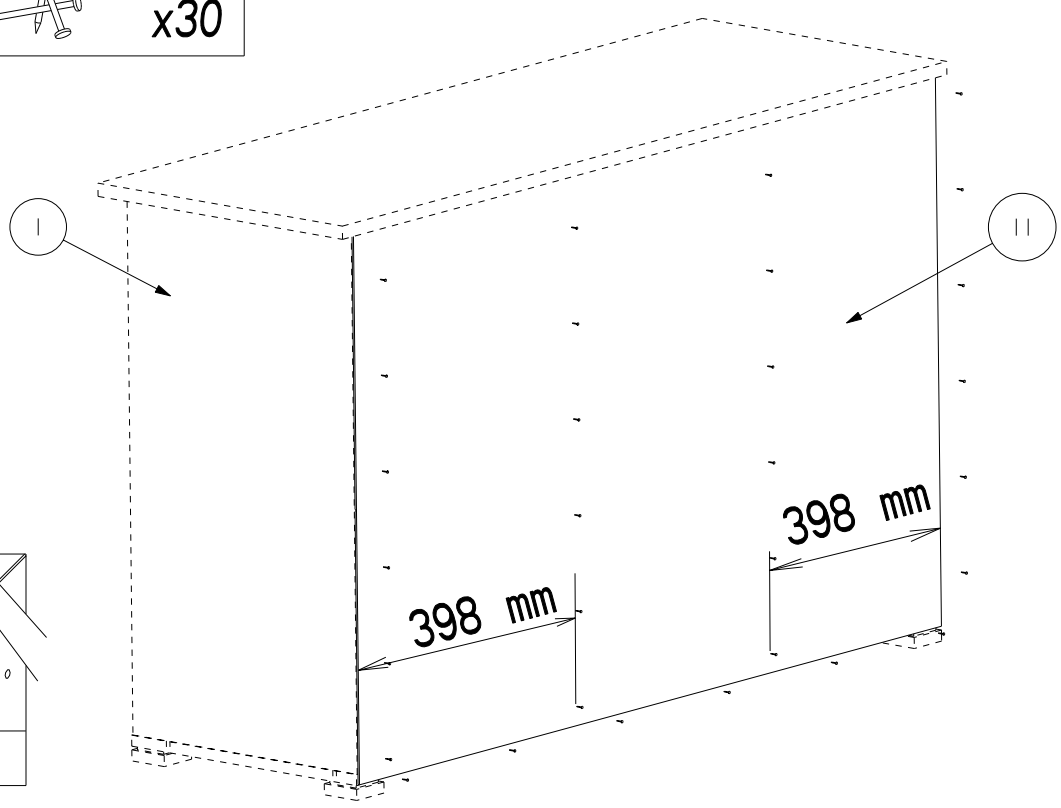
VBA TF 4x15




x2

7

| | |
|---|-----|
| 604757 | X 1 |
|  | x30 |



8

| | |
|---|-----|
| 706 | X 8 |
|  | |

