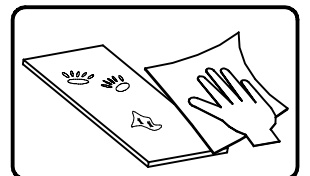
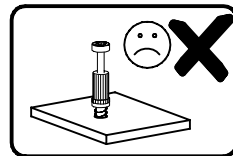
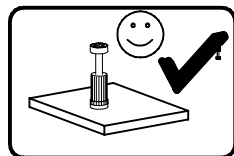
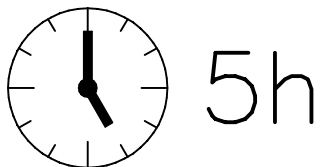
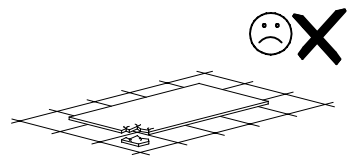
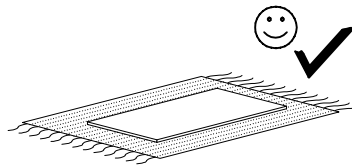
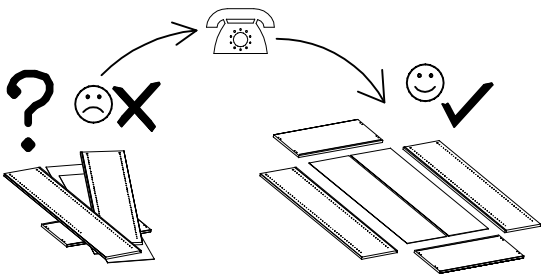
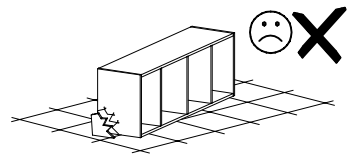
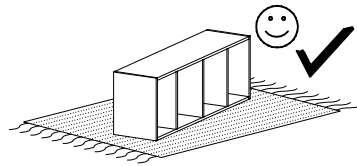
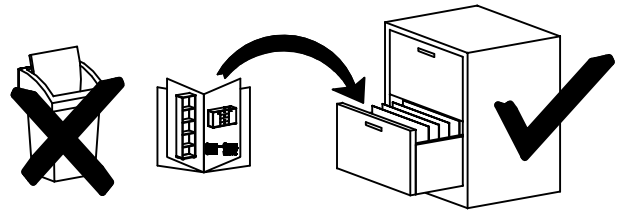
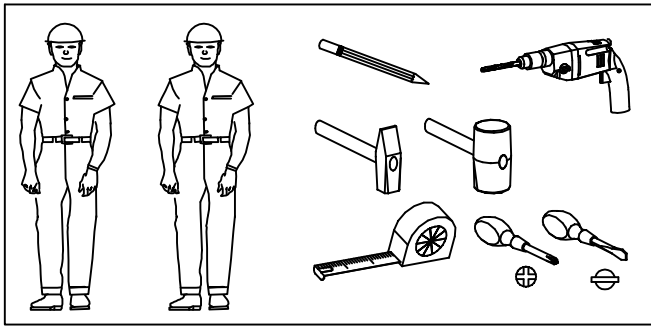
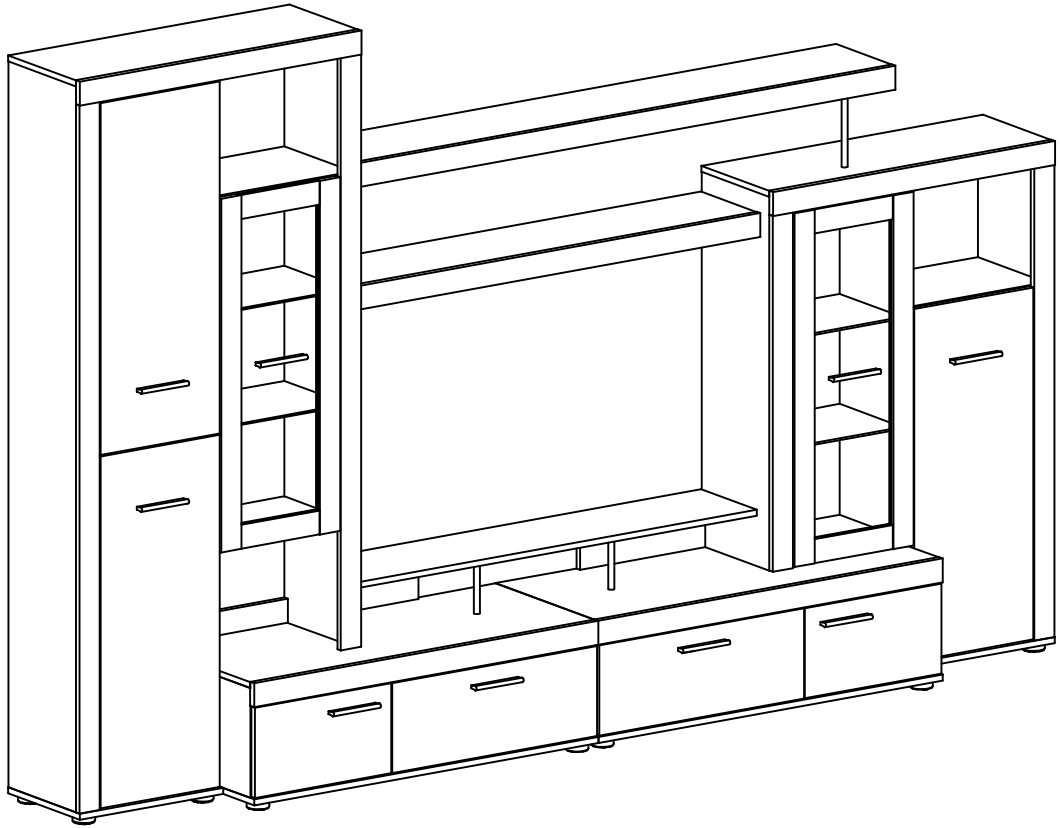
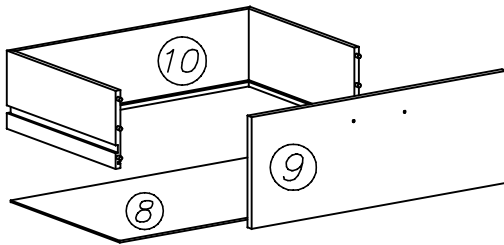
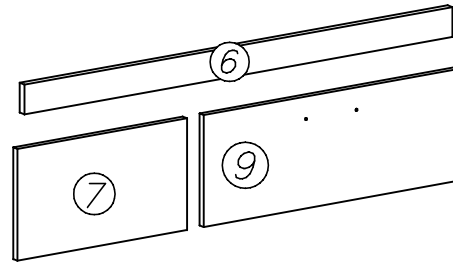
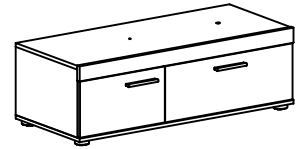
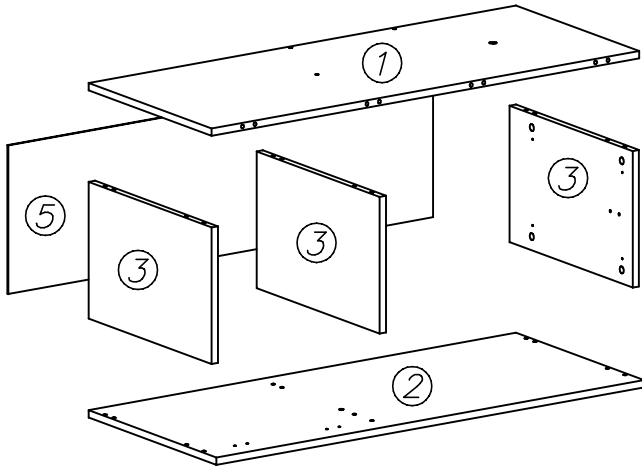
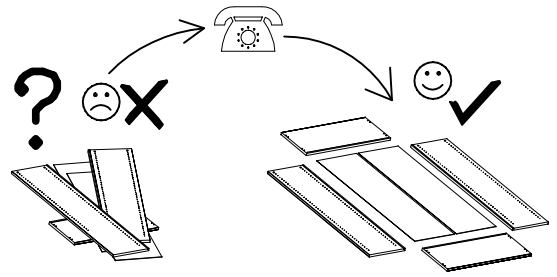
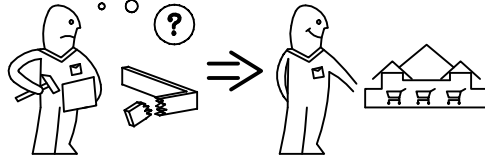
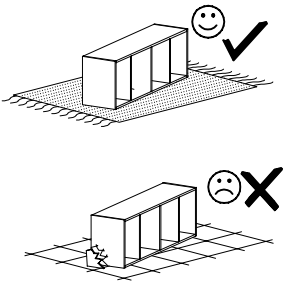


ATLANTIS

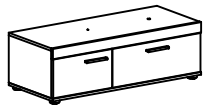




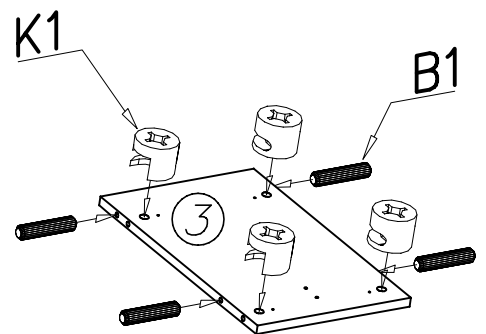
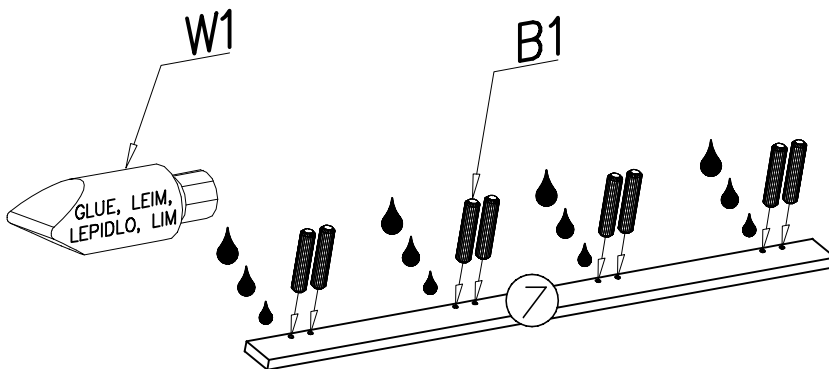
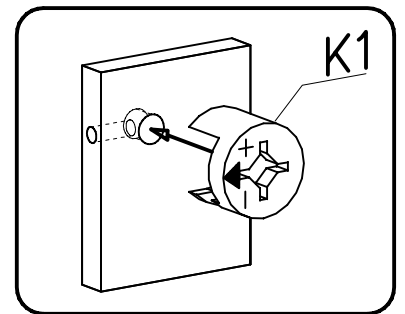
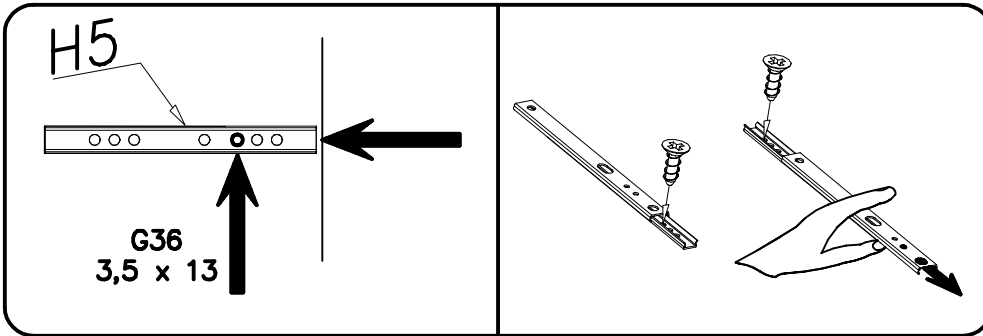
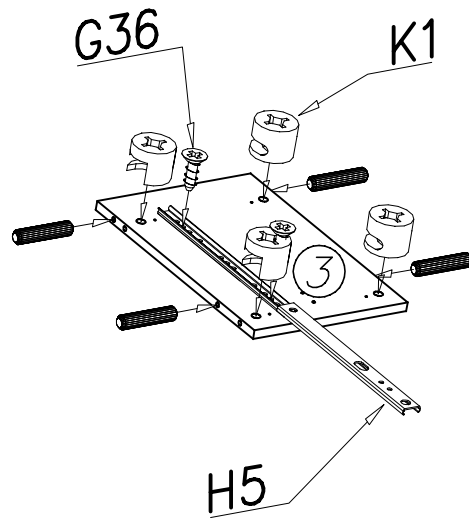
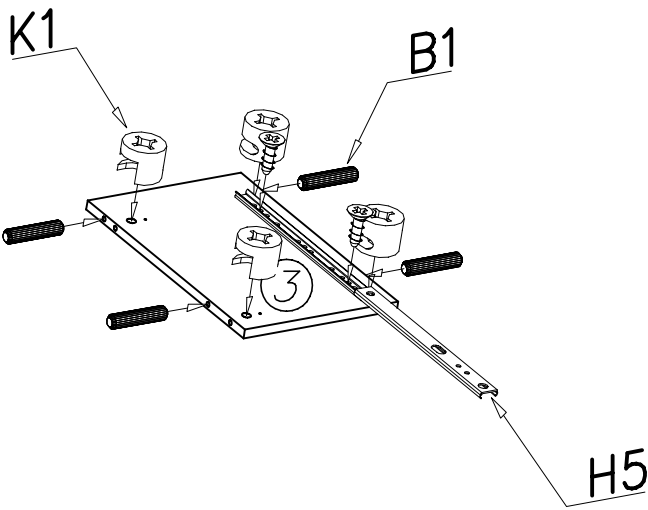
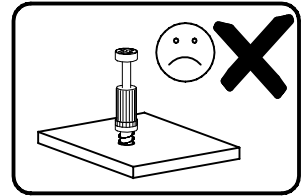
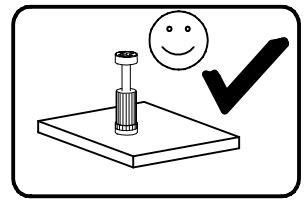
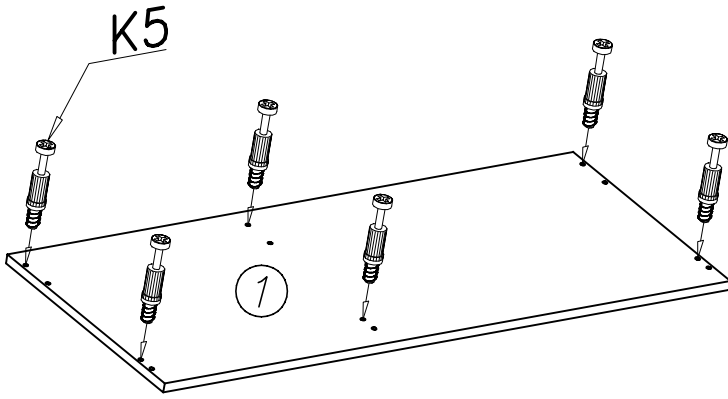
1	x1	Colli 1/5
2	x1	Colli 2/5
3	x3	Colli 1/5
5	x1	Colli 1/5
6	x1	Colli 2/5
7	x1	Colli 1/5
8	x1	Colli 1/5
9	x1	Colli 1/5
10	x1	Colli 1/5

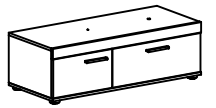


M8 400mm x...(1)	W1 GLUE, LEIM, LEPIDLO, LIM x...(2)	N1 M4x9 x...(2)	P1 x...(5)
H5 400mm x...(2)	B1 ø8x35 x...(12)	I7 ø18 x...(12)	G21 3x16 x...(3)
K1 ø15x12 x...(12)	L6 x...(1)	G8 4x30 x...(4)	W4 x...(~30)
K5 x...(12)		D4 PZ350D x...(2)	C4 Z350D x...(2)
			E1 128mm x...(2)

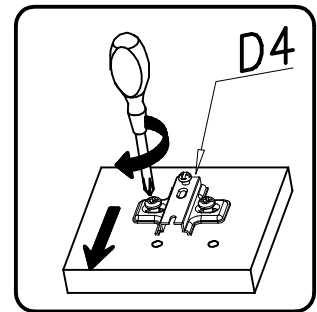
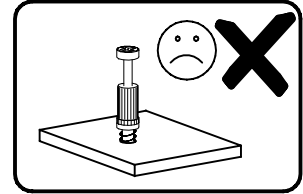
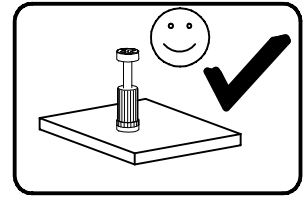
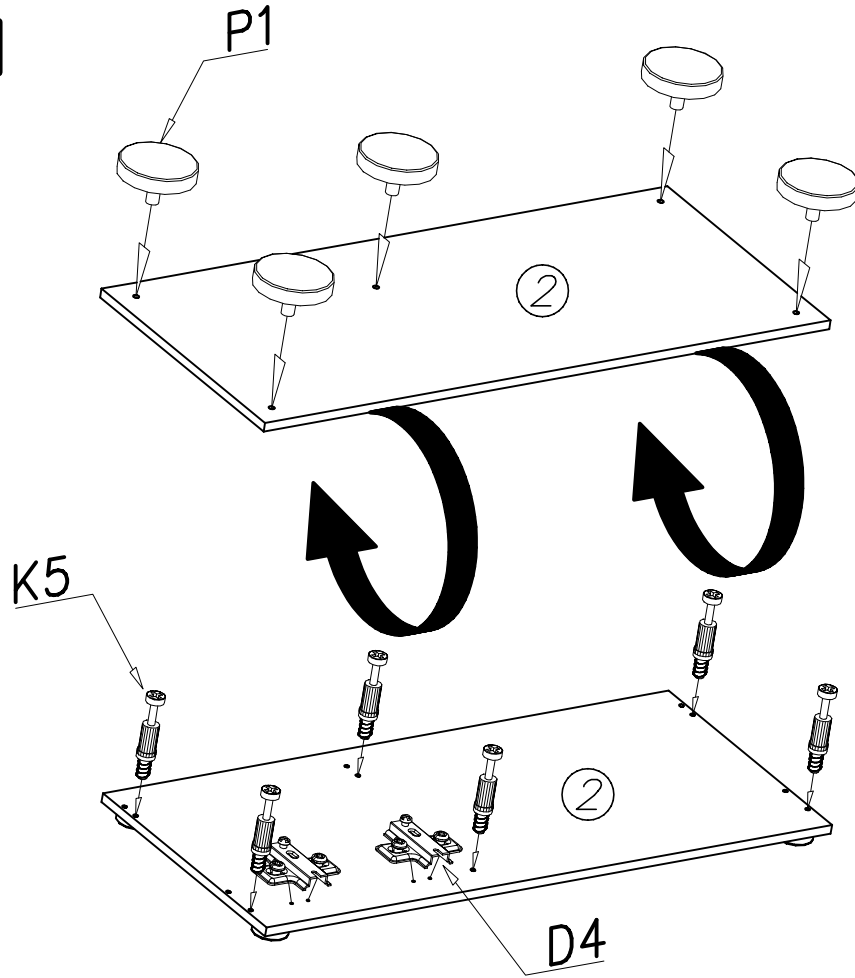


I

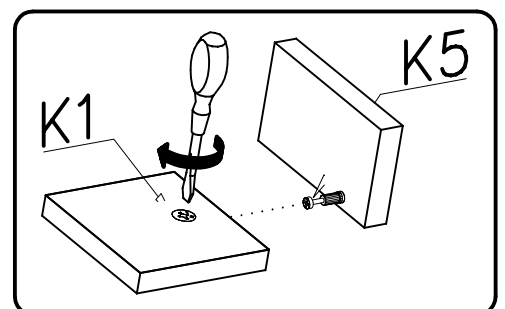
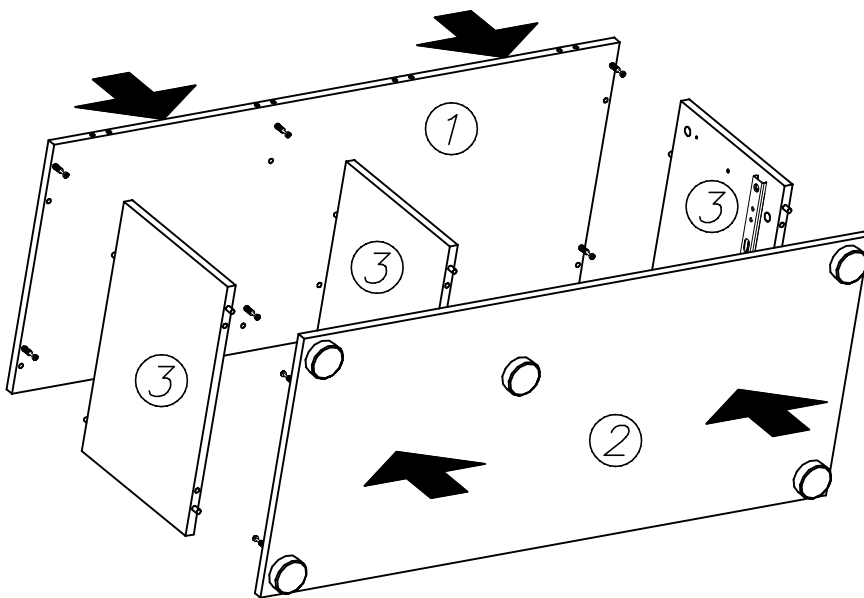


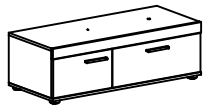


II

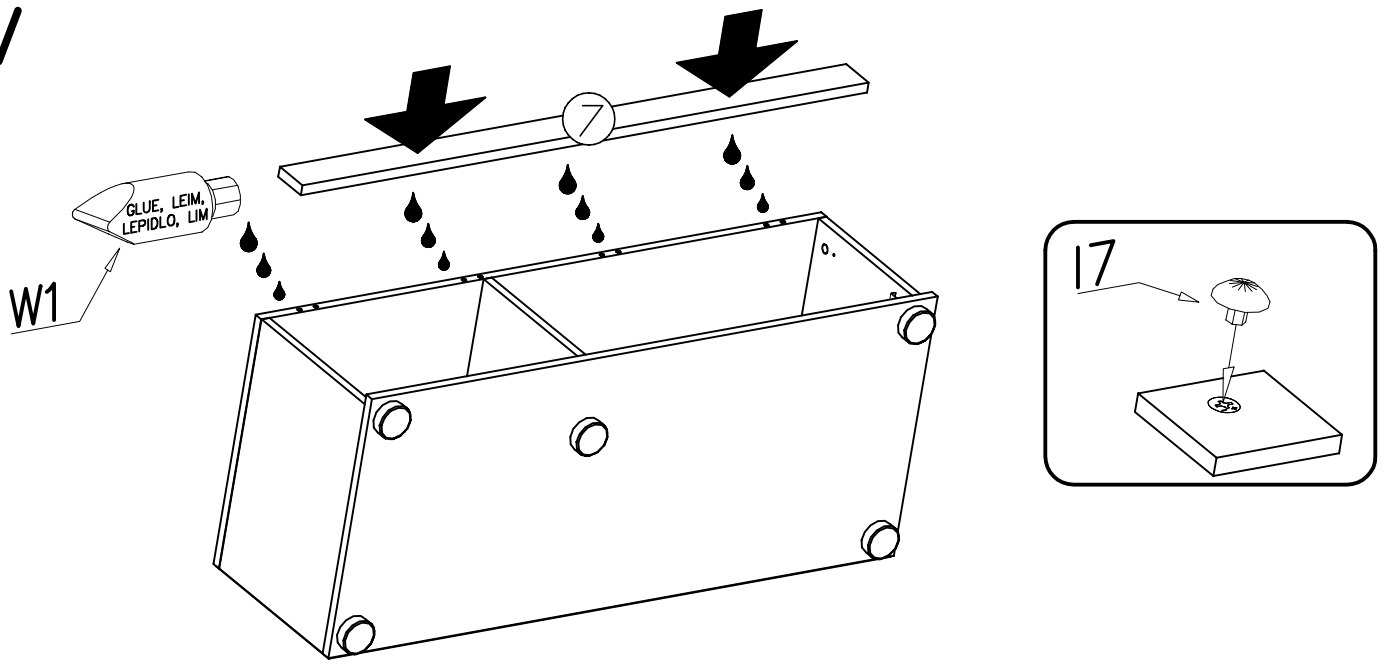


III

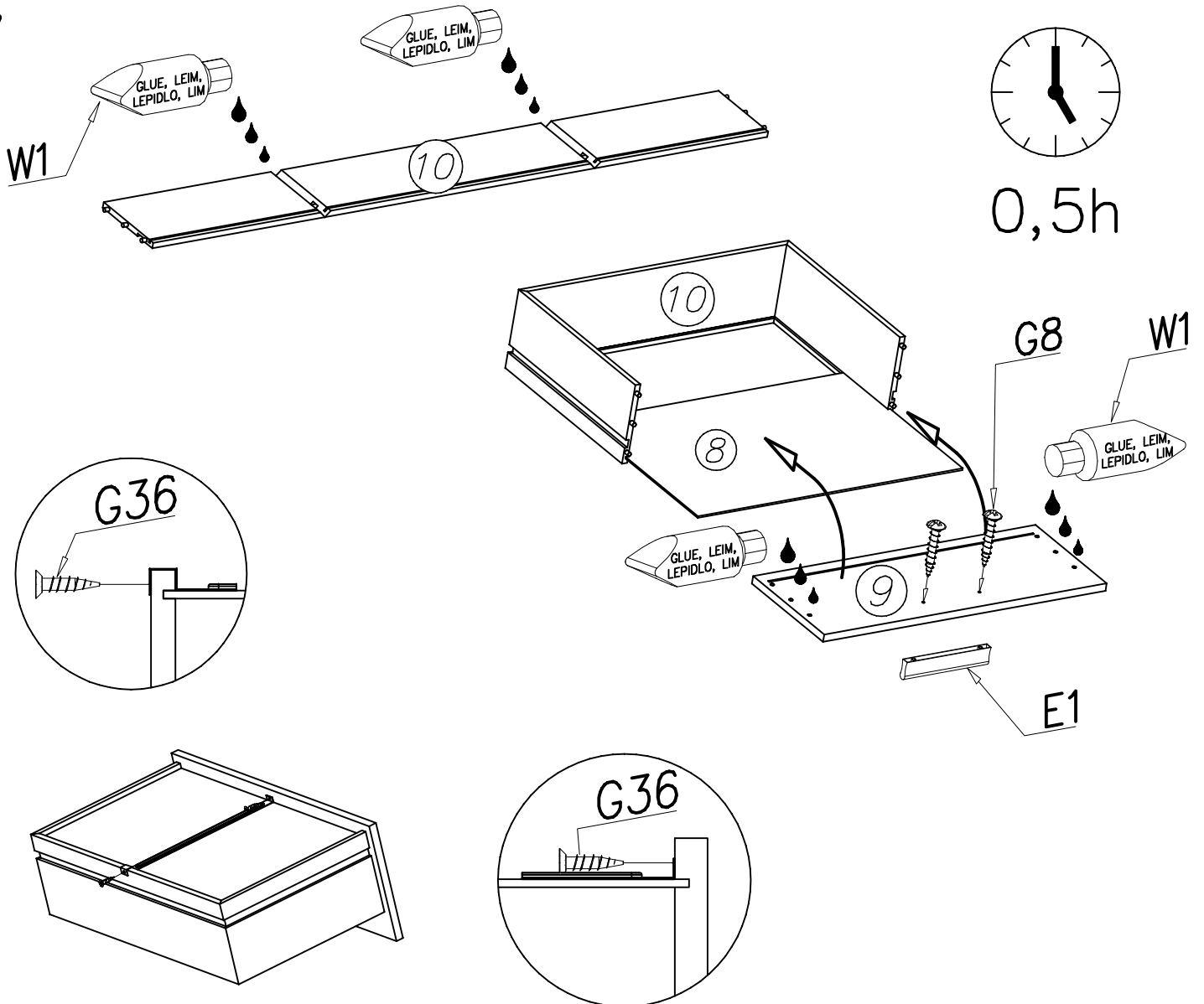


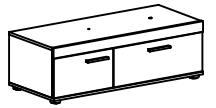


IV

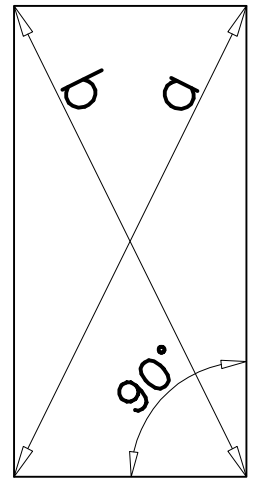
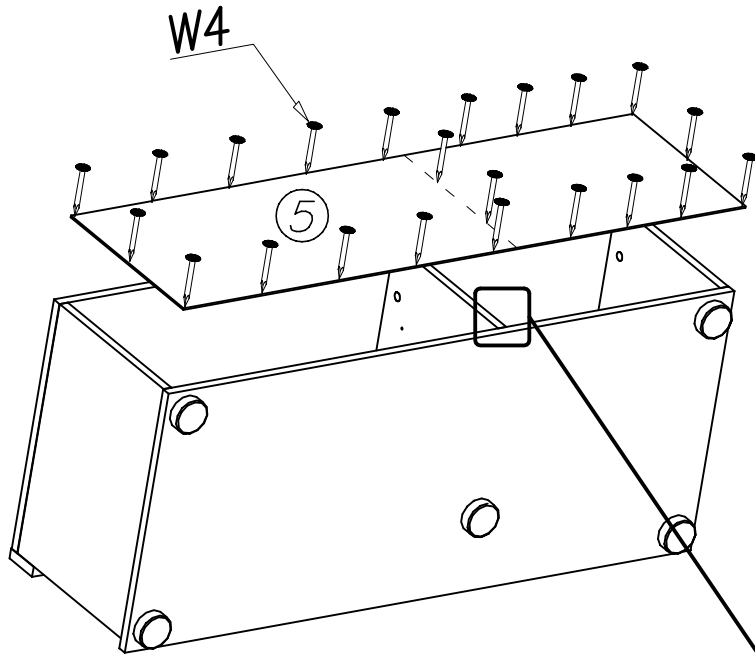


V

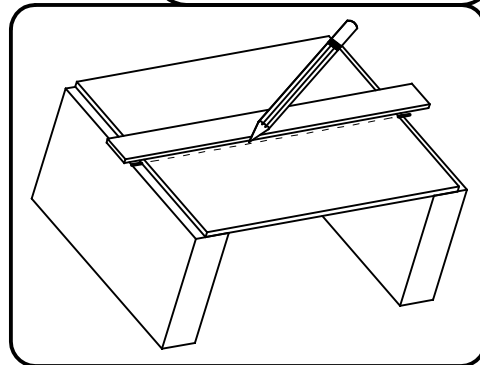
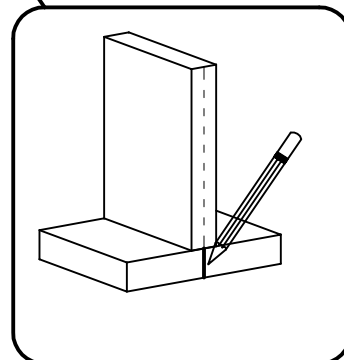
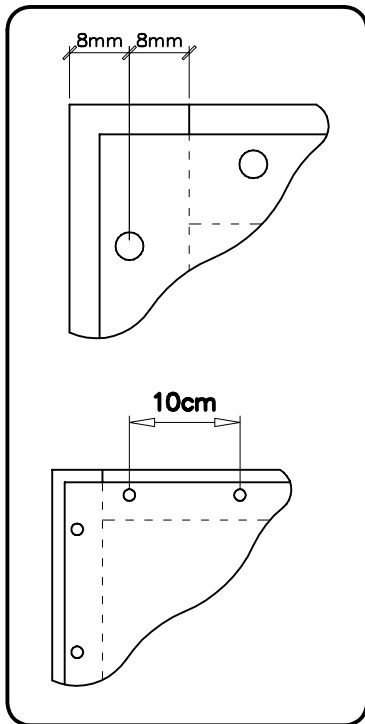




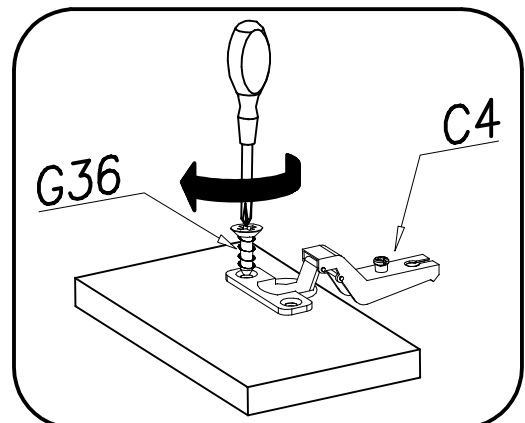
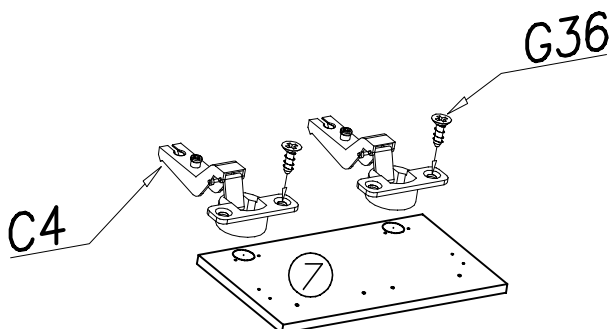
VI

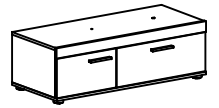


$a = b$

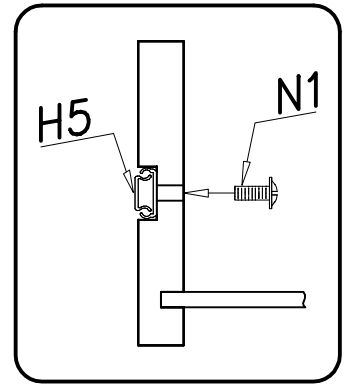
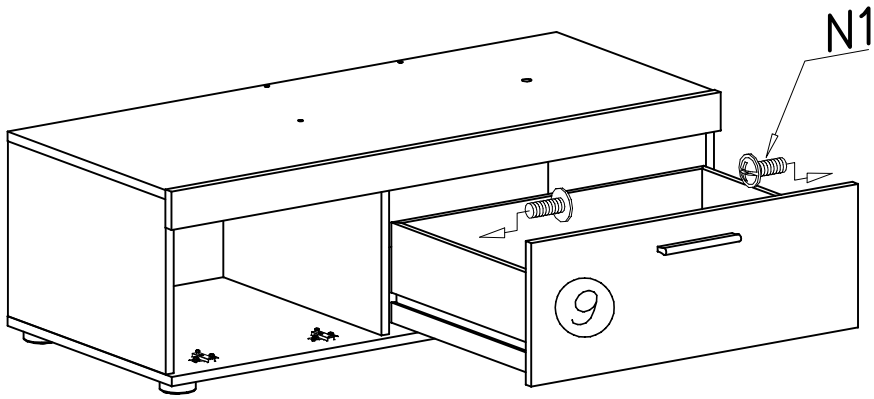


VII

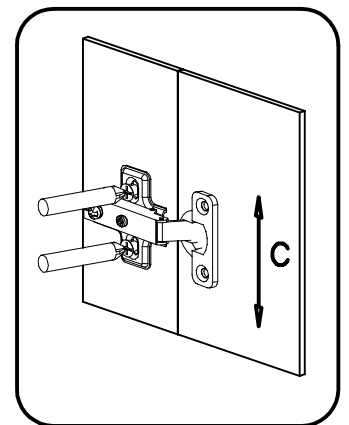
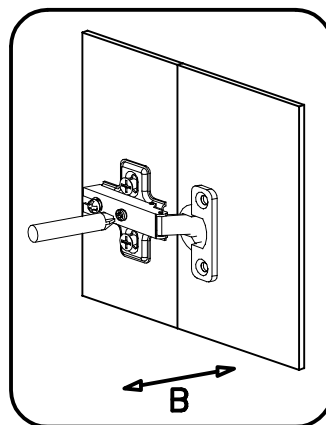
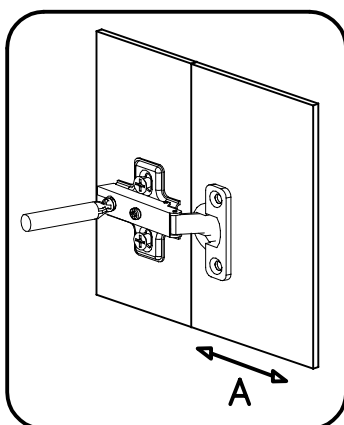
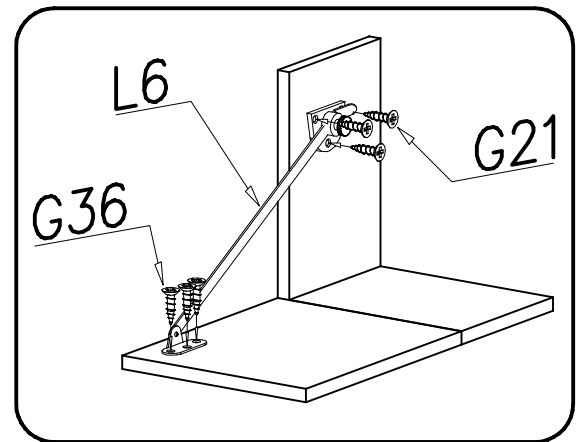
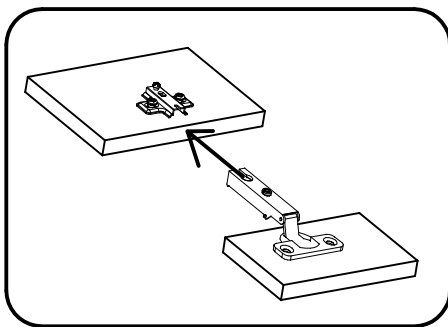
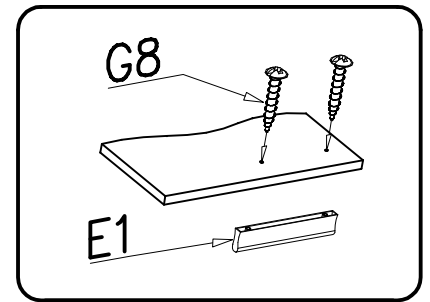
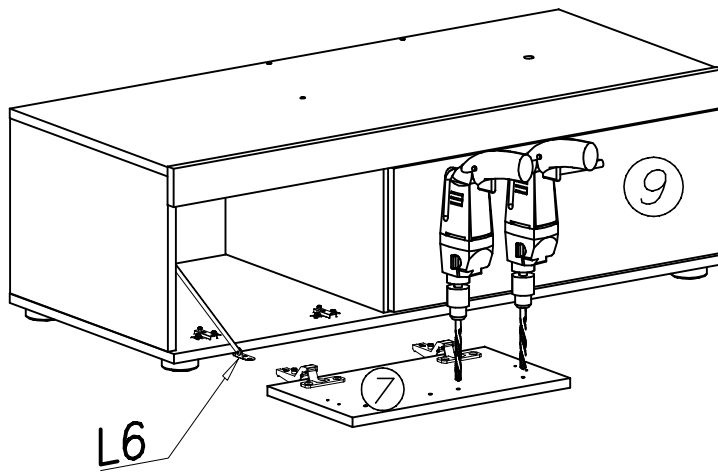


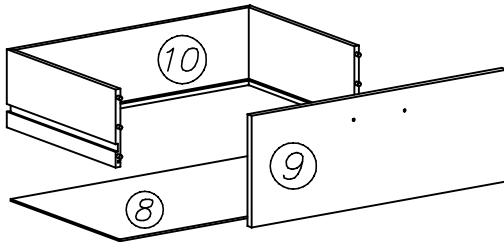
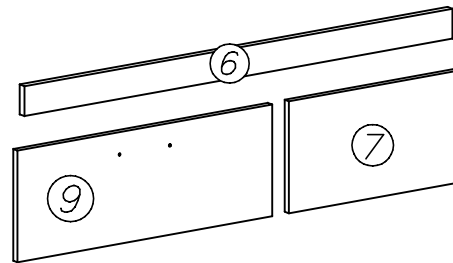
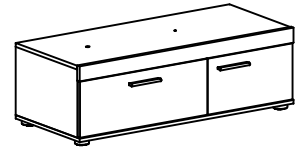
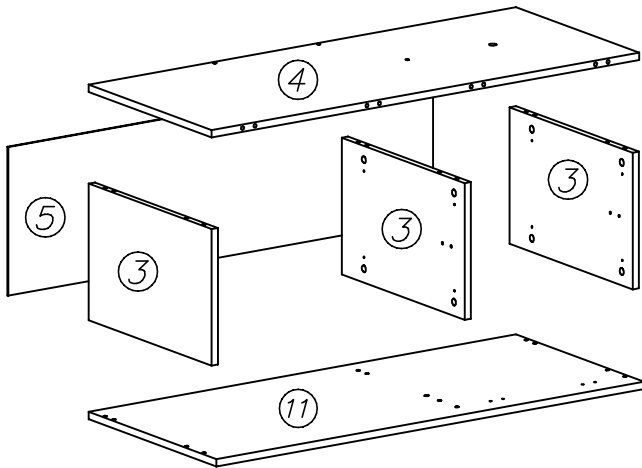
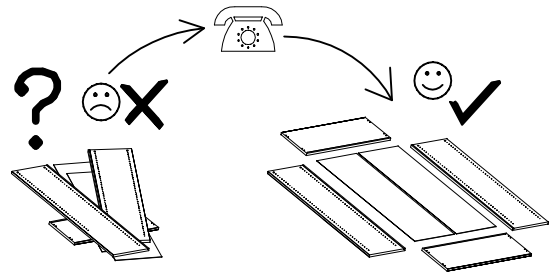
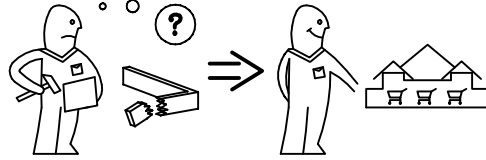
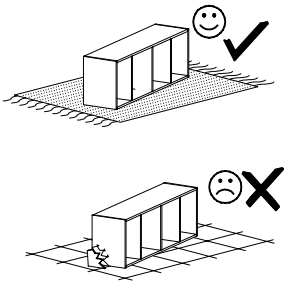


VIII



IX

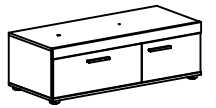




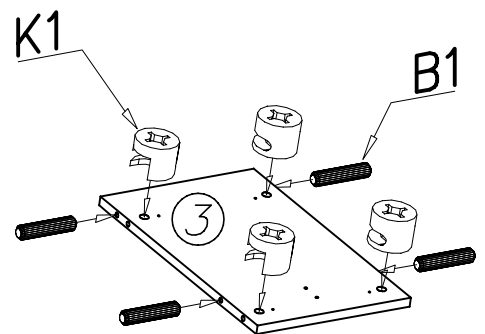
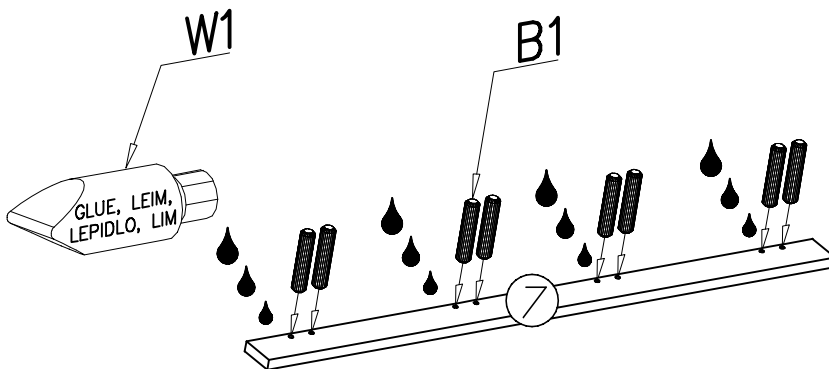
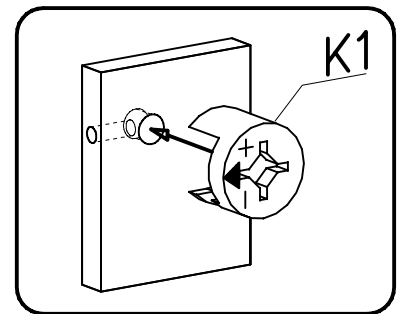
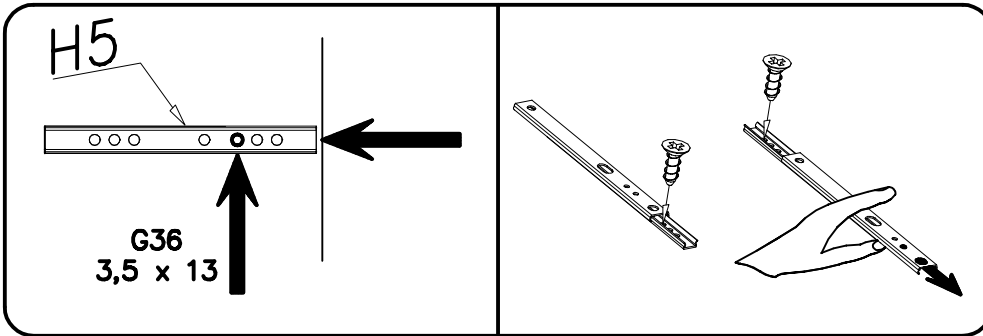
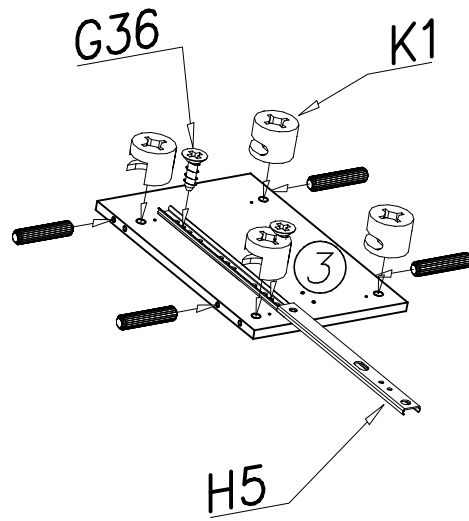
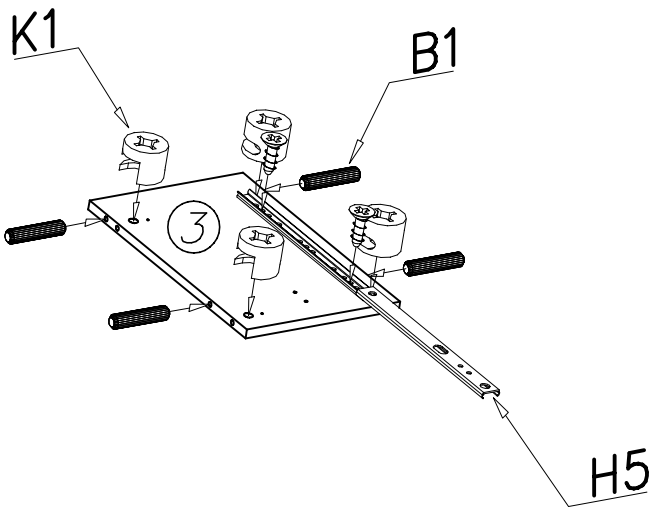
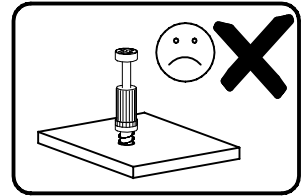
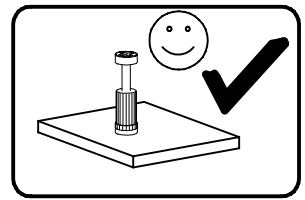
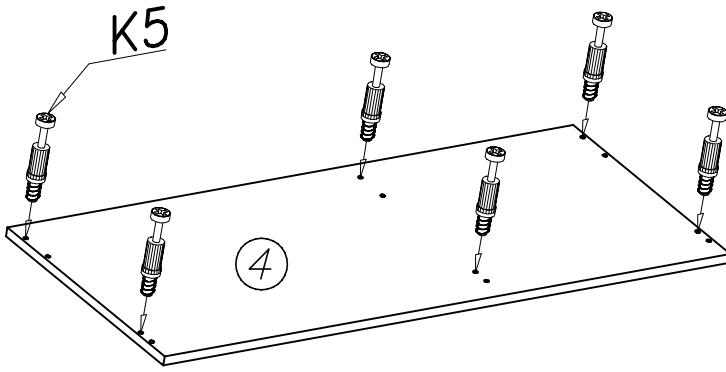
3	x3	Colli 1/5
4	x1	Colli 1/5
5	x1	Colli 1/5
6	x1	Colli 2/5
7	x1	Colli 1/5
8	x1	Colli 1/5
9	x1	Colli 1/5
10	x1	Colli 1/5
11	x1	Colli 2/5

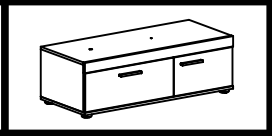


M8 400mm x...(1)	W1 GLUE, LEIM, LEPIDLO, UM x...(2)	N1 M4x9 x...(2)	P1 x...(5)
H5 400mm x...(2)	B1 ø8x35 x...(12)	I7 ø18 x...(12)	G21 3x16 x...(3)
K1 ø15x12 x...(12)	L6 x...(1)	G8 4x30 x...(4)	W4 x...(~30)
K5 x...(12)		D4 PZ350D x...(2)	C4 Z350D x...(2)
			E1 128mm x...(2)

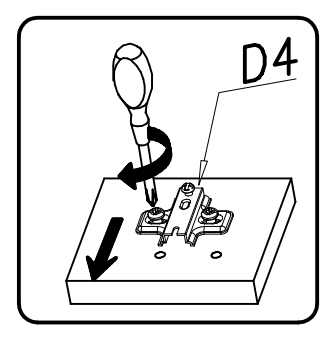
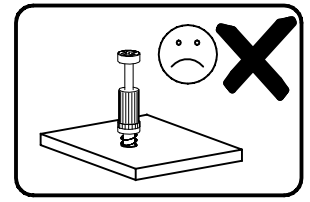
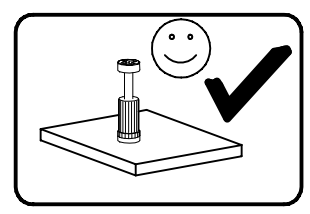
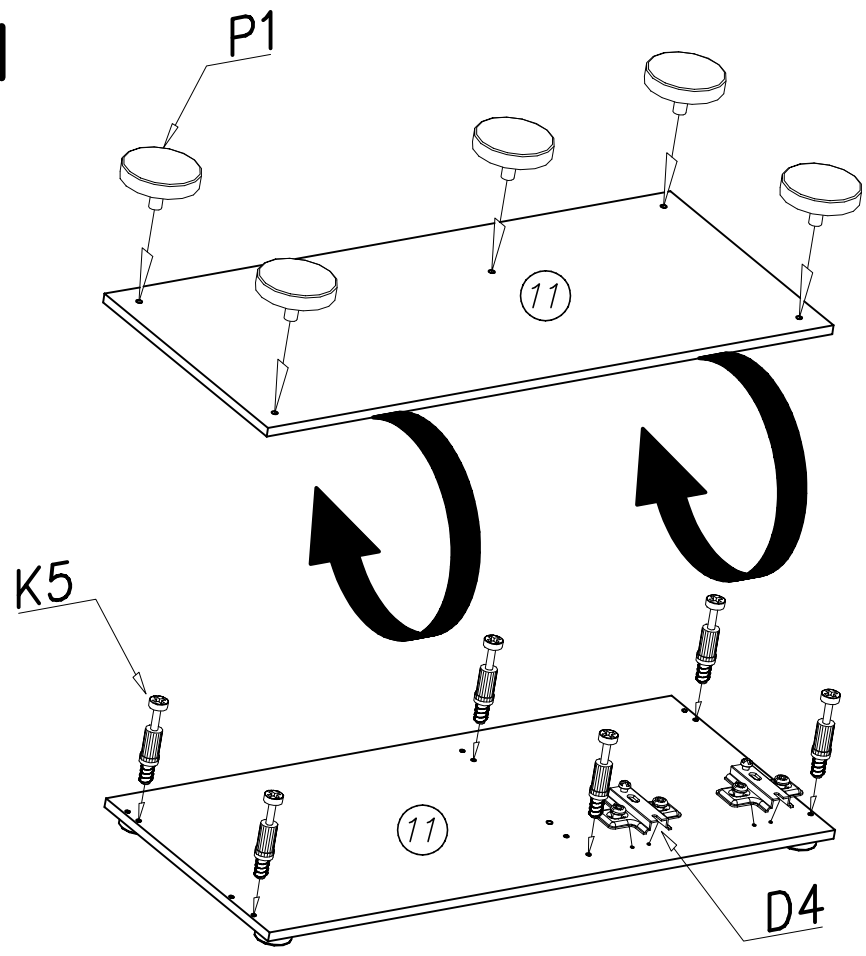


I

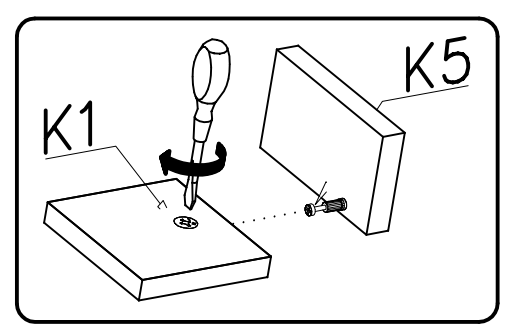
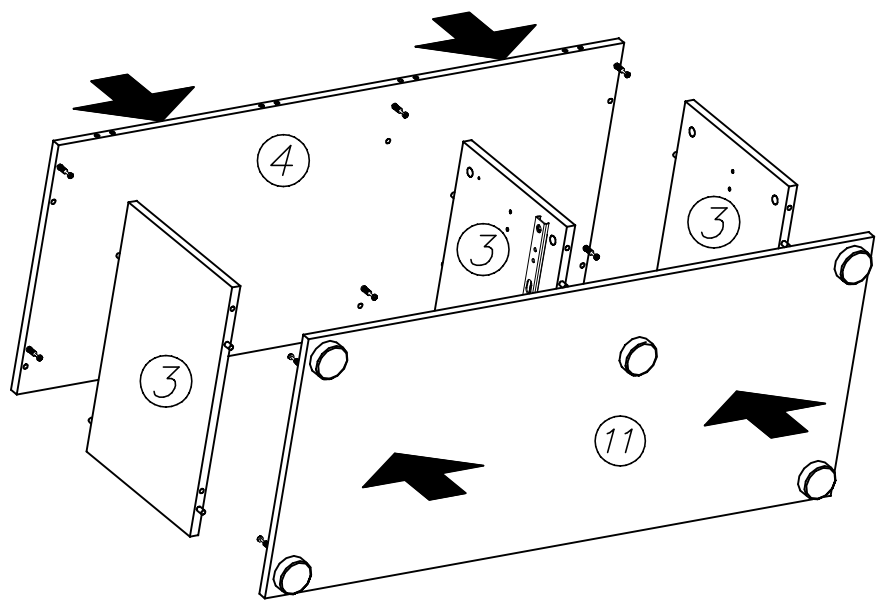


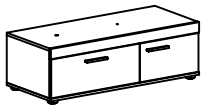


II

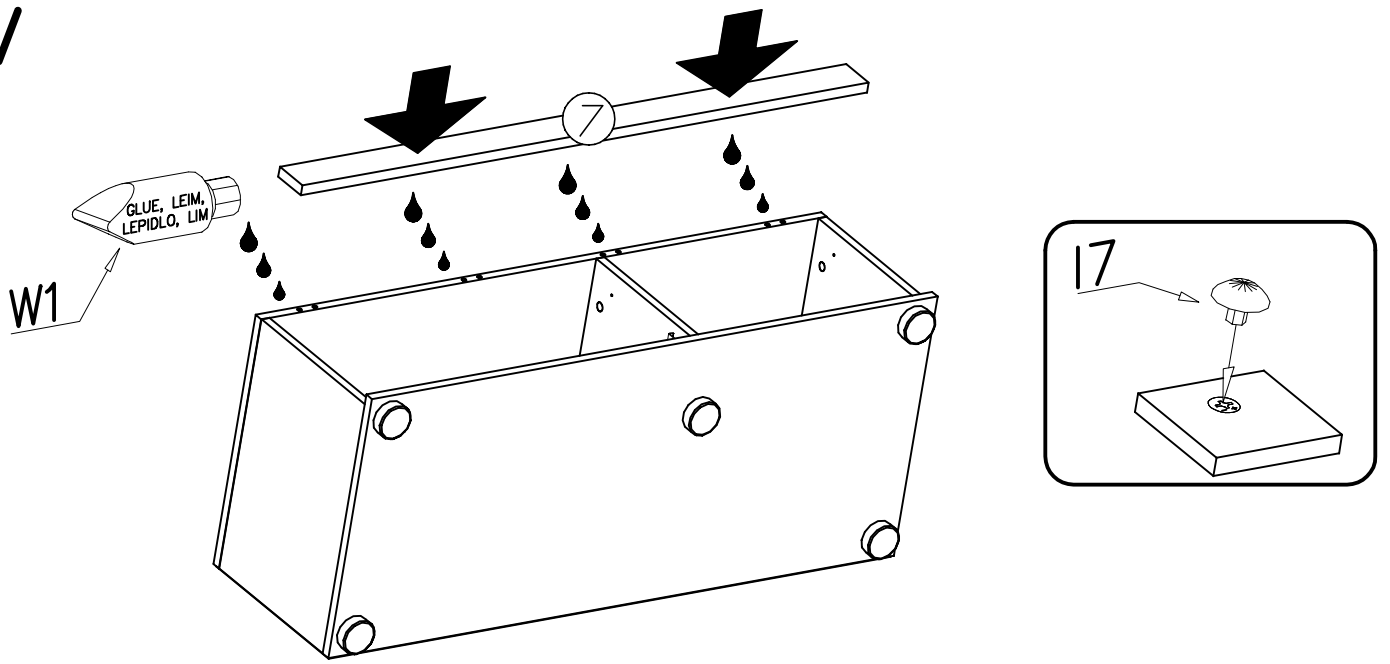


III

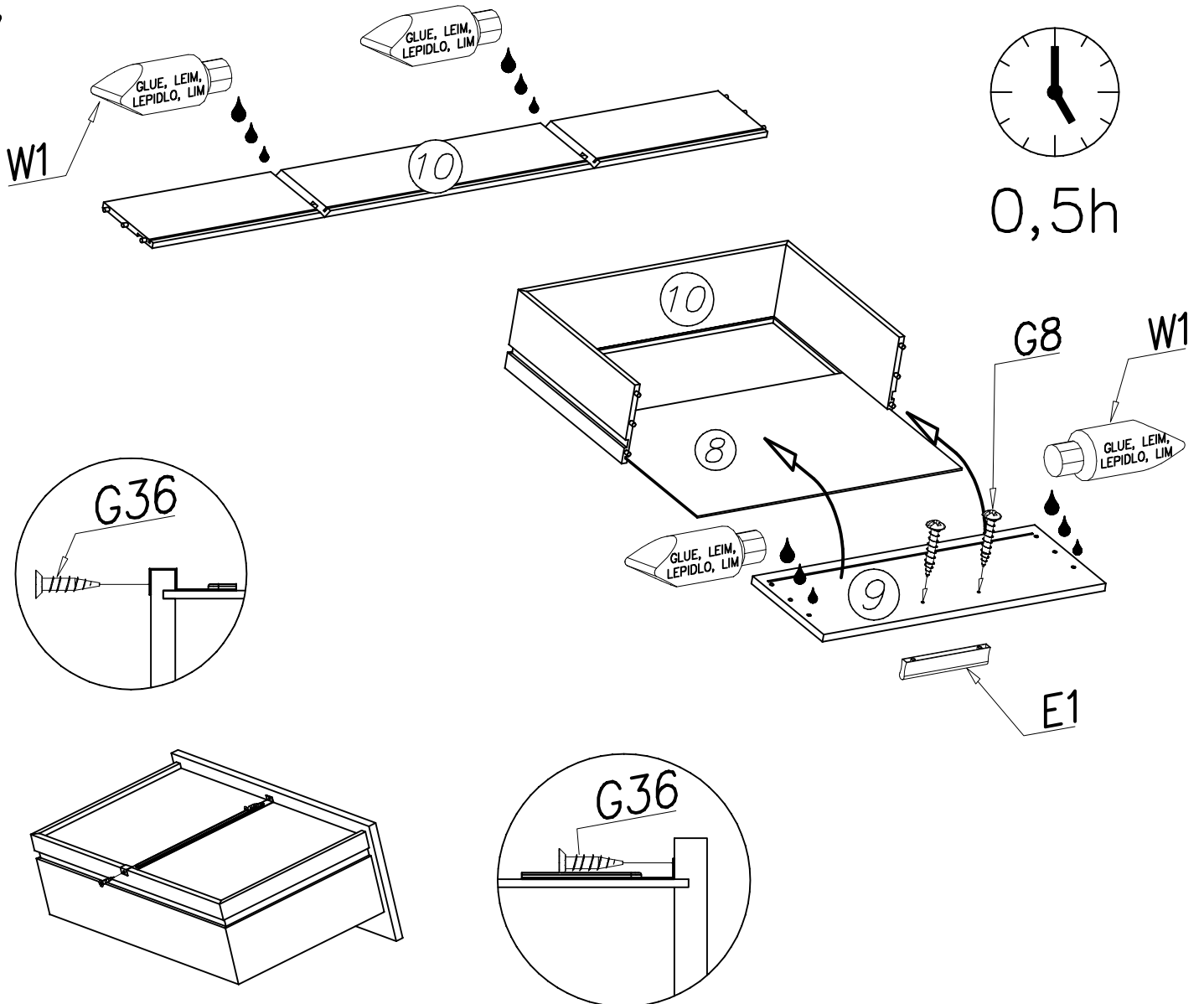


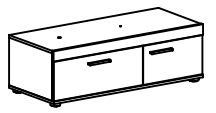


IV

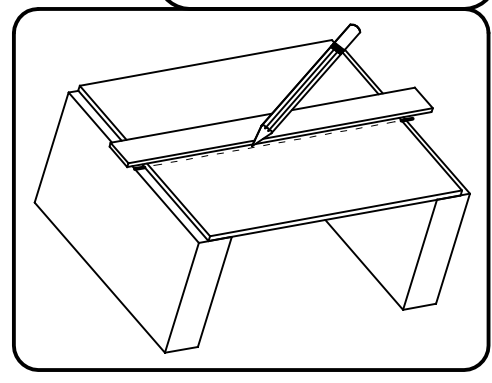
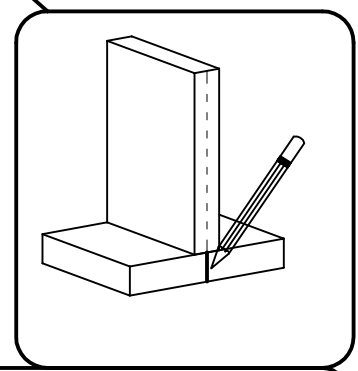
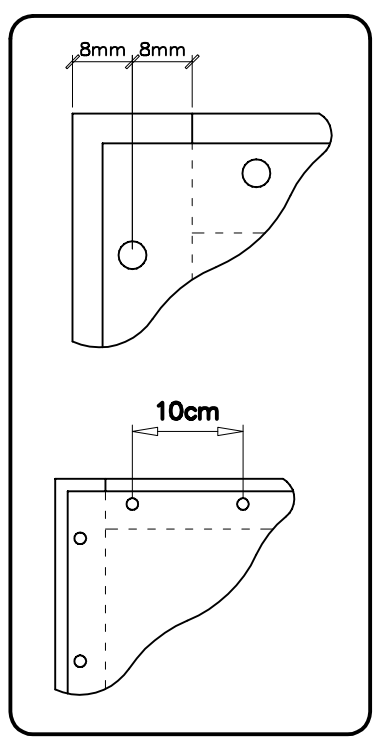
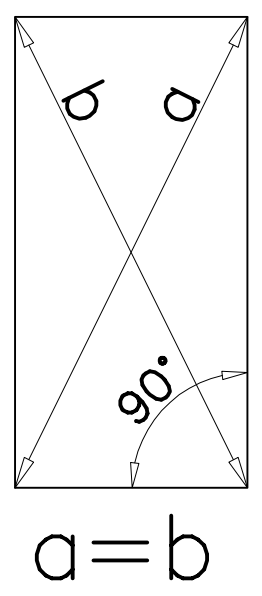
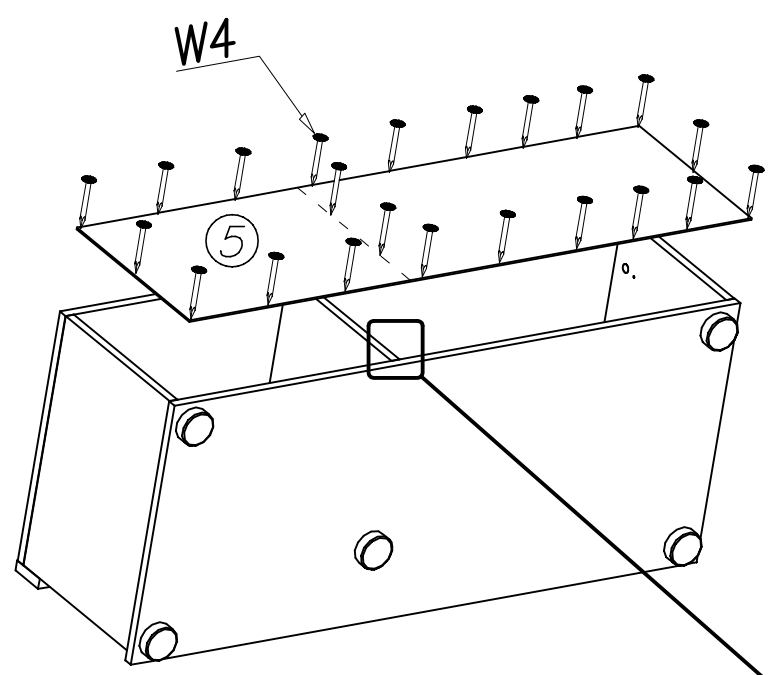


V

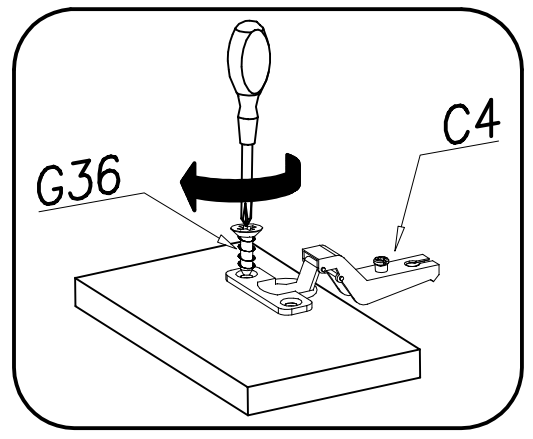
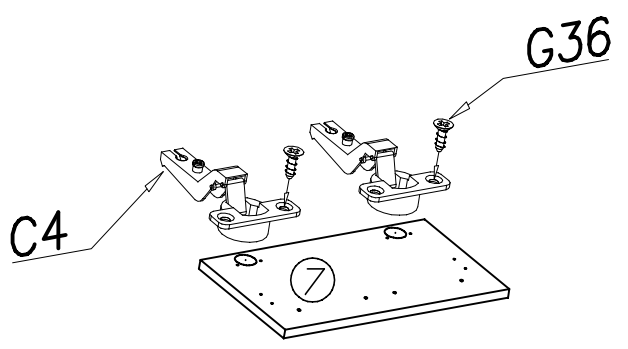




VI

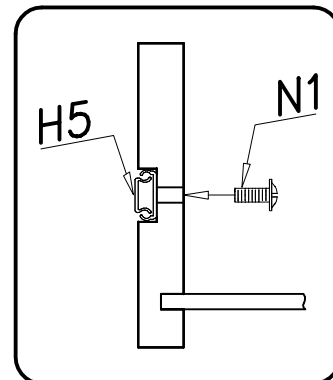
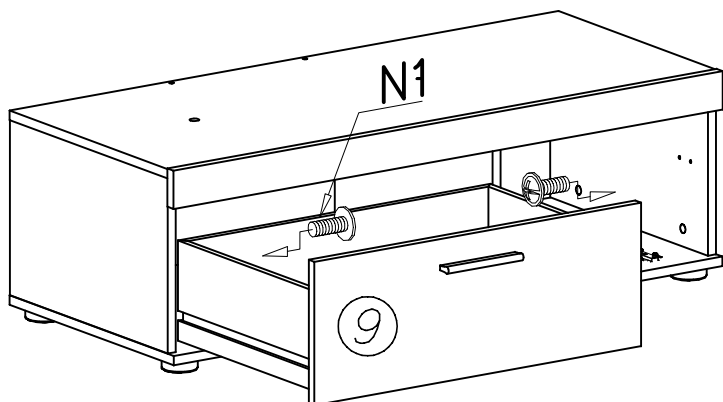


VII

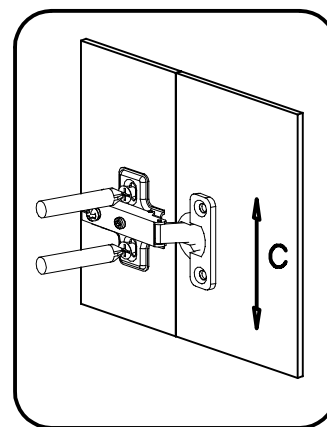
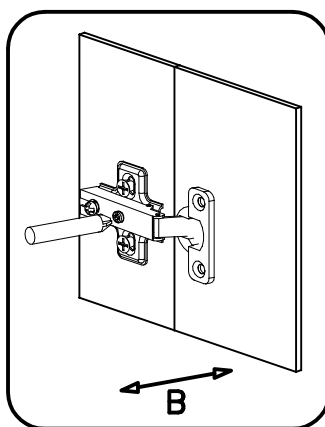
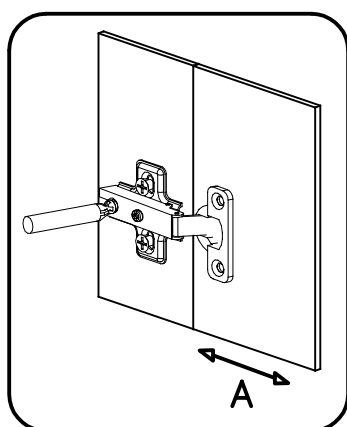
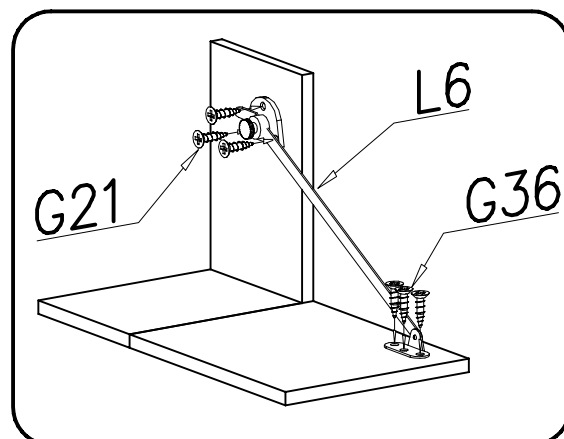
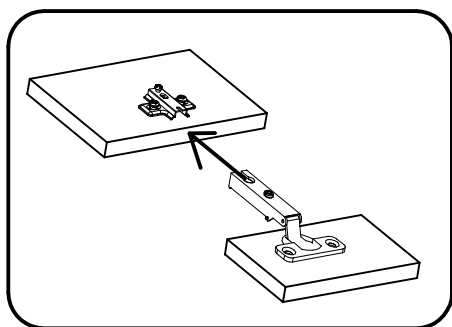
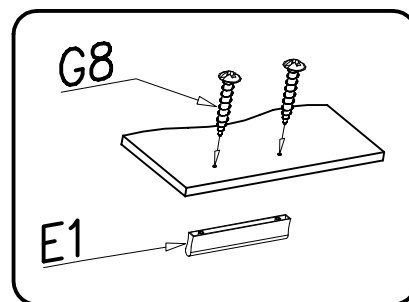
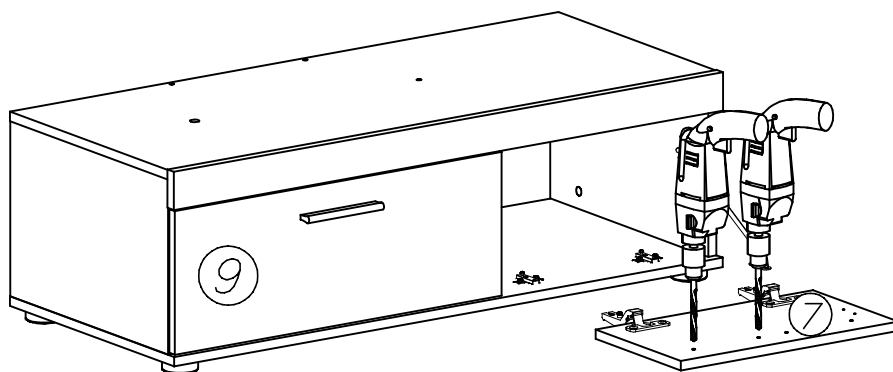


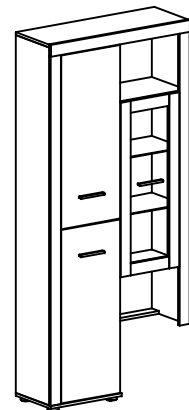
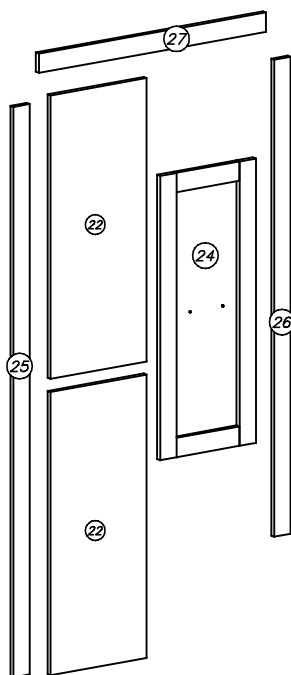
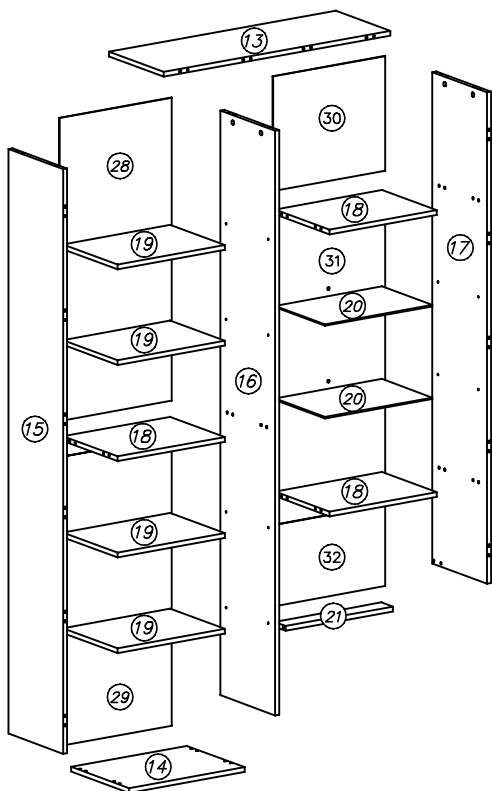
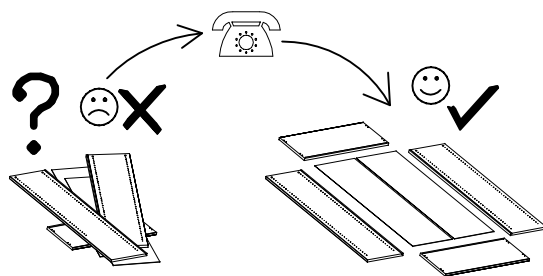
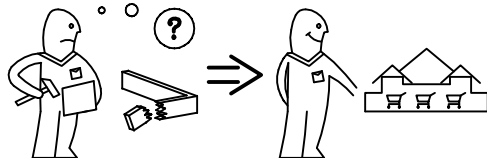
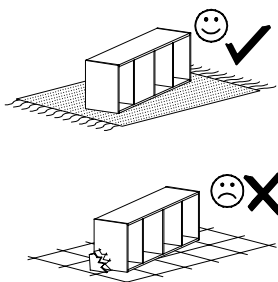


VIII




IX

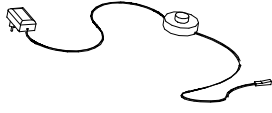





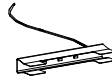
13	x1	Colli 5/5
14	x1	Colli 2/5
15	x1	Colli 5/5
16	x1	Colli 5/5
17	x1	Colli 5/5
18	x3	Colli 5/5
19	x4	Colli 5/5
20	x2	Colli 5/5
21	x1	Colli 5/5
22	x2	Colli 3/5
24	x1	Colli 3/5
25	x1	Colli 5/5
26	x1	Colli 5/5
27	x1	Colli 2/5
28	x1	Colli 2/5
29	x1	Colli 2/5
30	x1	Colli 2/5
31	x1	Colli 2/5
32	x1	Colli 2/5





A1

 ø7x50 x...(4)


W13

 x...(1)

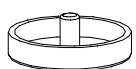
I7

 x...(18)


W5

 x...(2)

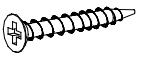
LED

 x...(2)


W1

 x...(4)

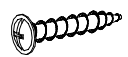
S2

 x...(26)


P1

 x...(4)

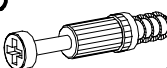
W4

 x...(~80)

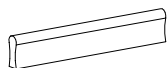
G3

 4x30 x...(2)

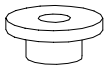
K1

 ø15x12 x...(18)


G8

 4x30 x...(4)

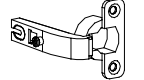
B1

 ø8x35 x...(61)

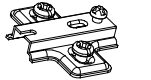
K5

 x...(18)


E1

 128mm x...(3)


I3

 x...(2)

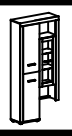
F2

 x...(24)

C5

 Z35R0 x...(6)

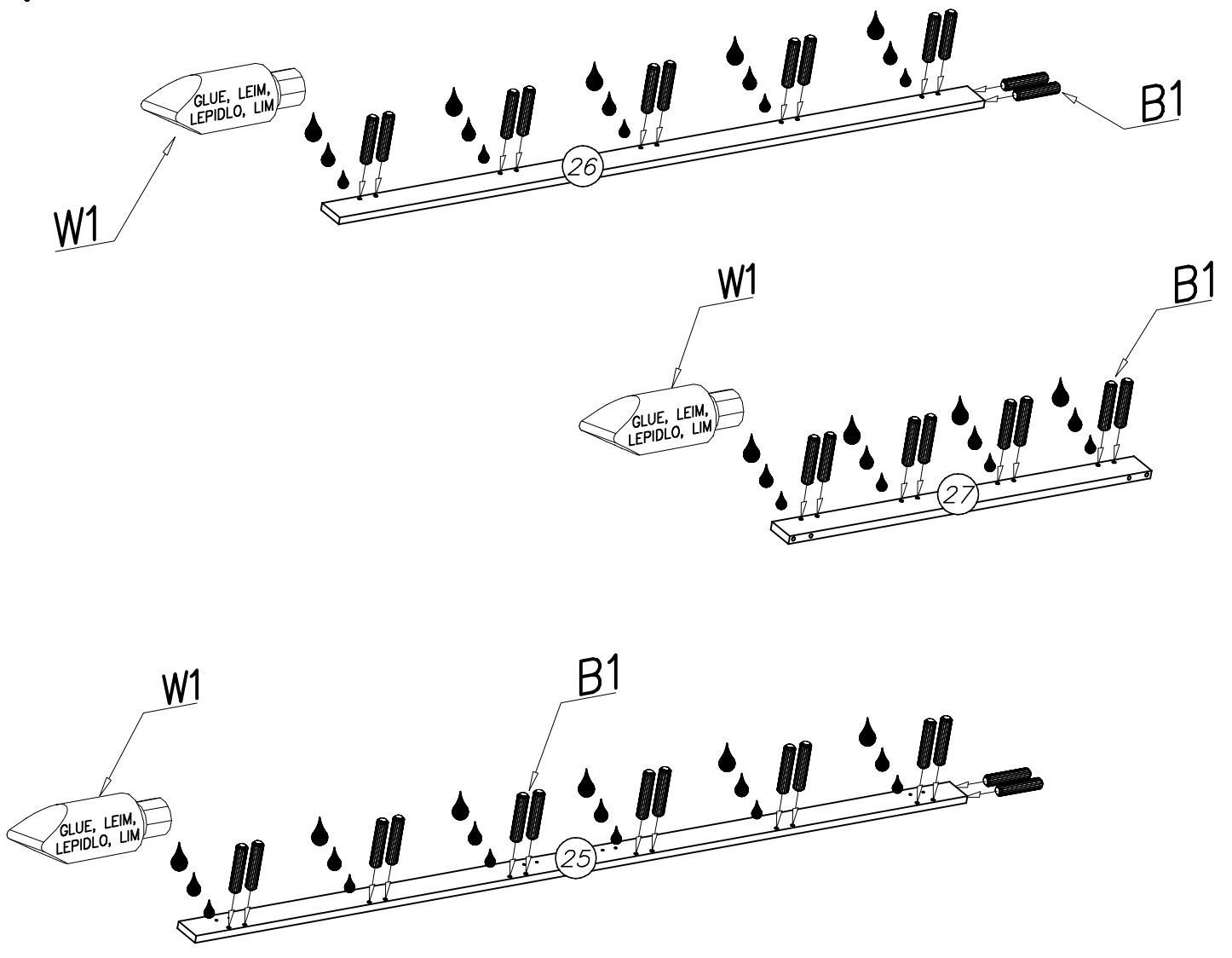
D5

 PZ35R0 x...(6)

G13

 4x20 x...(2)

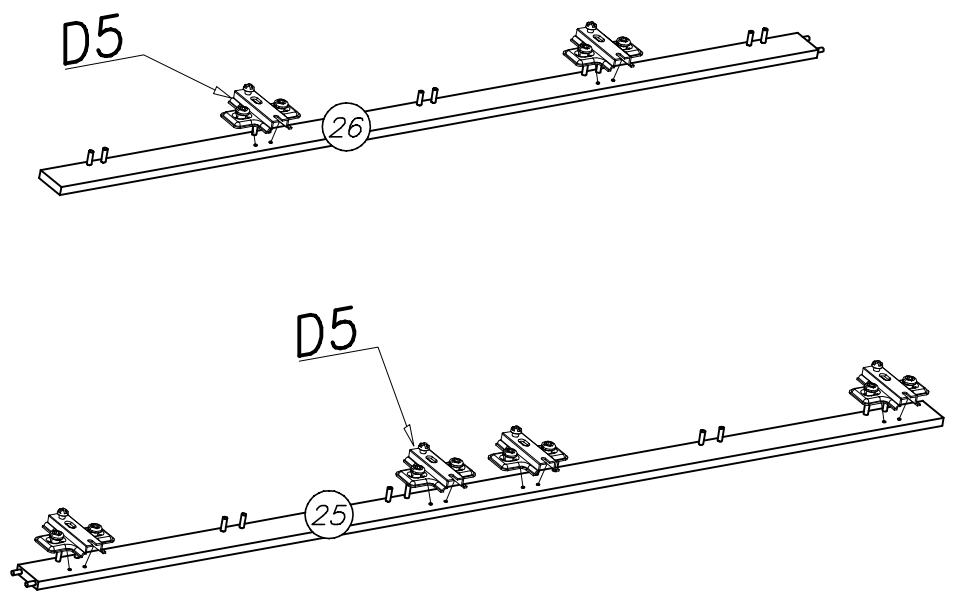
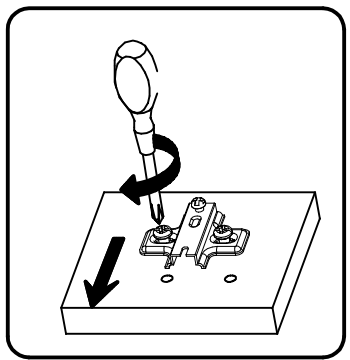
G36

 3,5x13 x...(12)

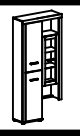


I

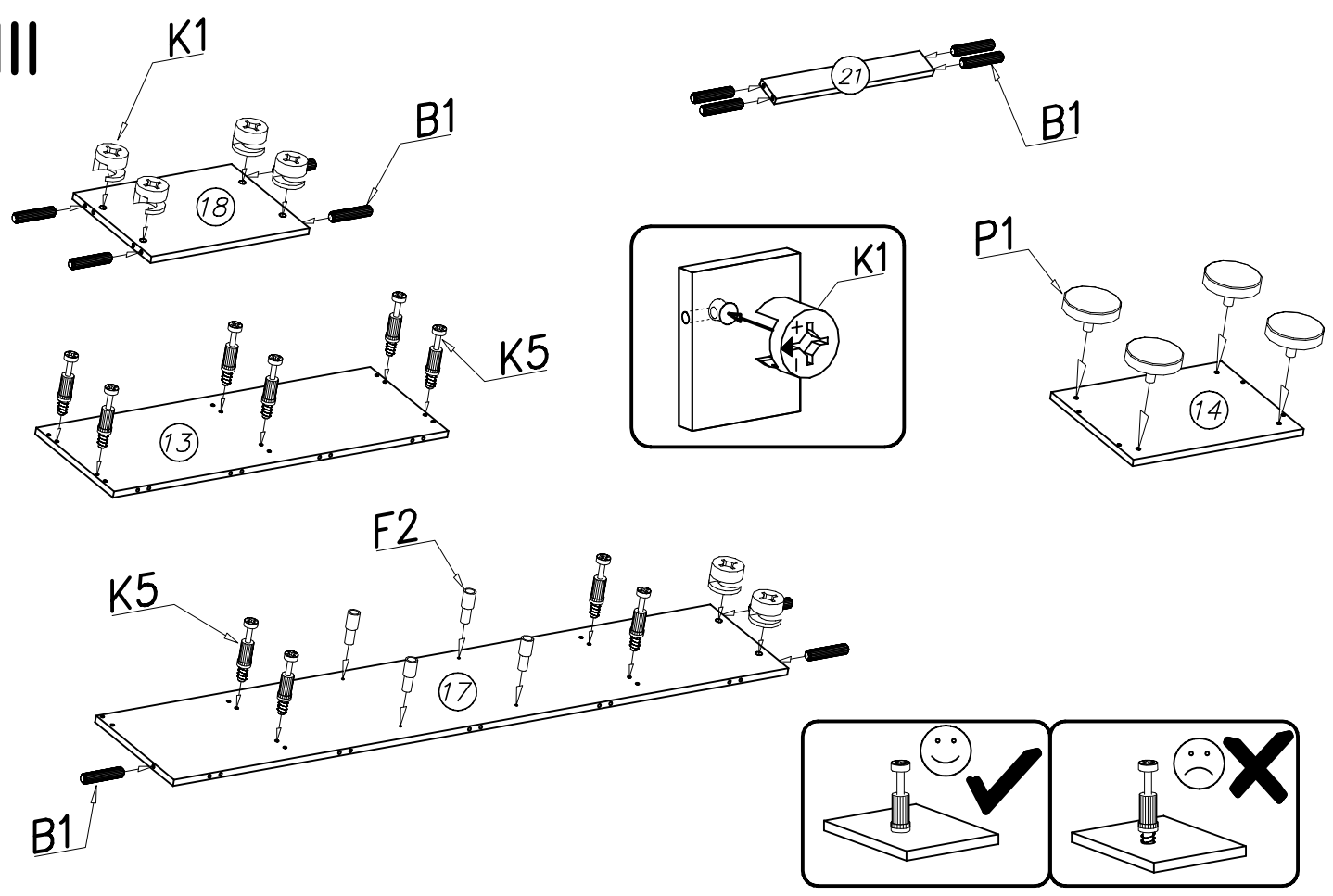


II

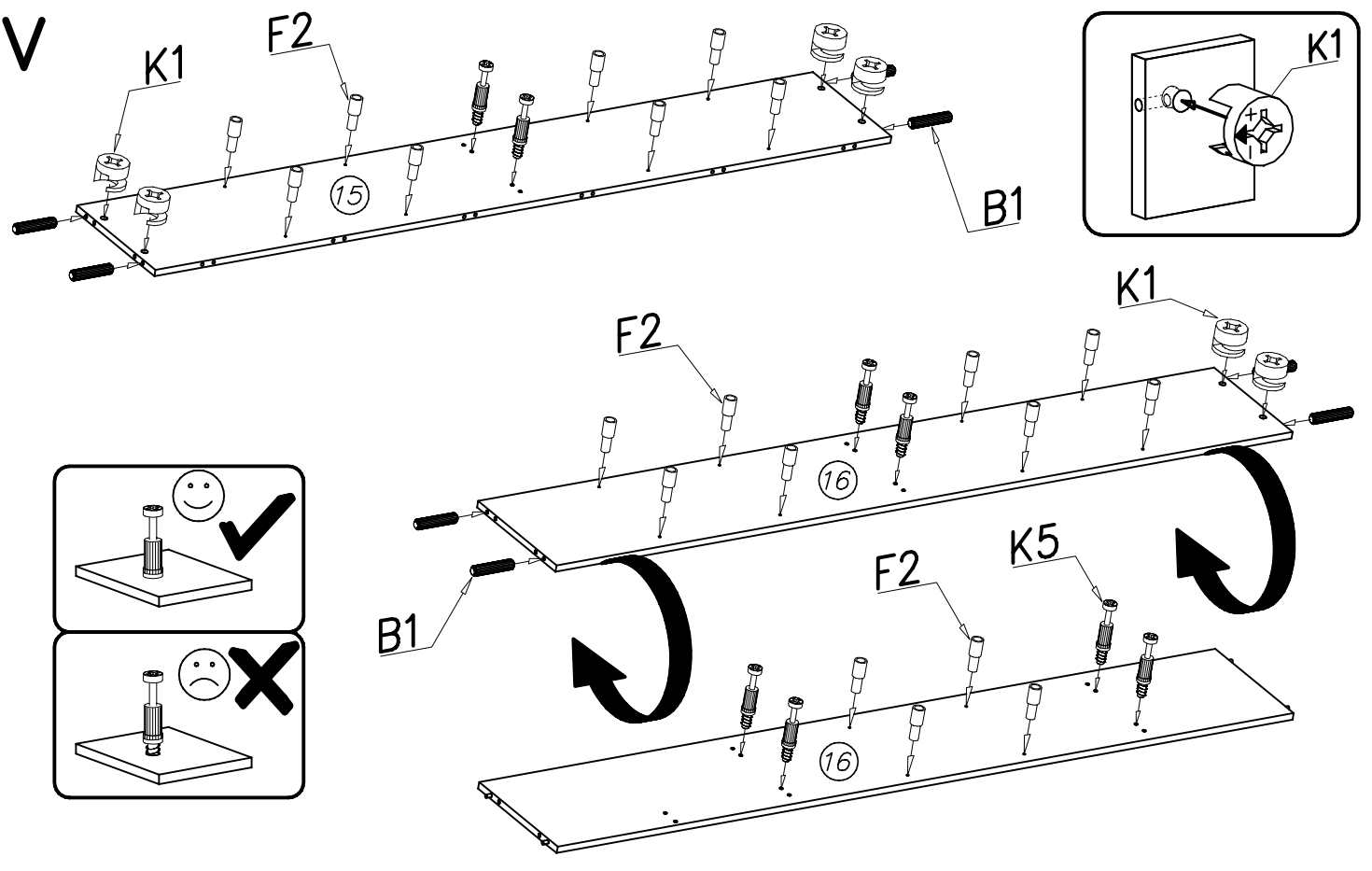




III

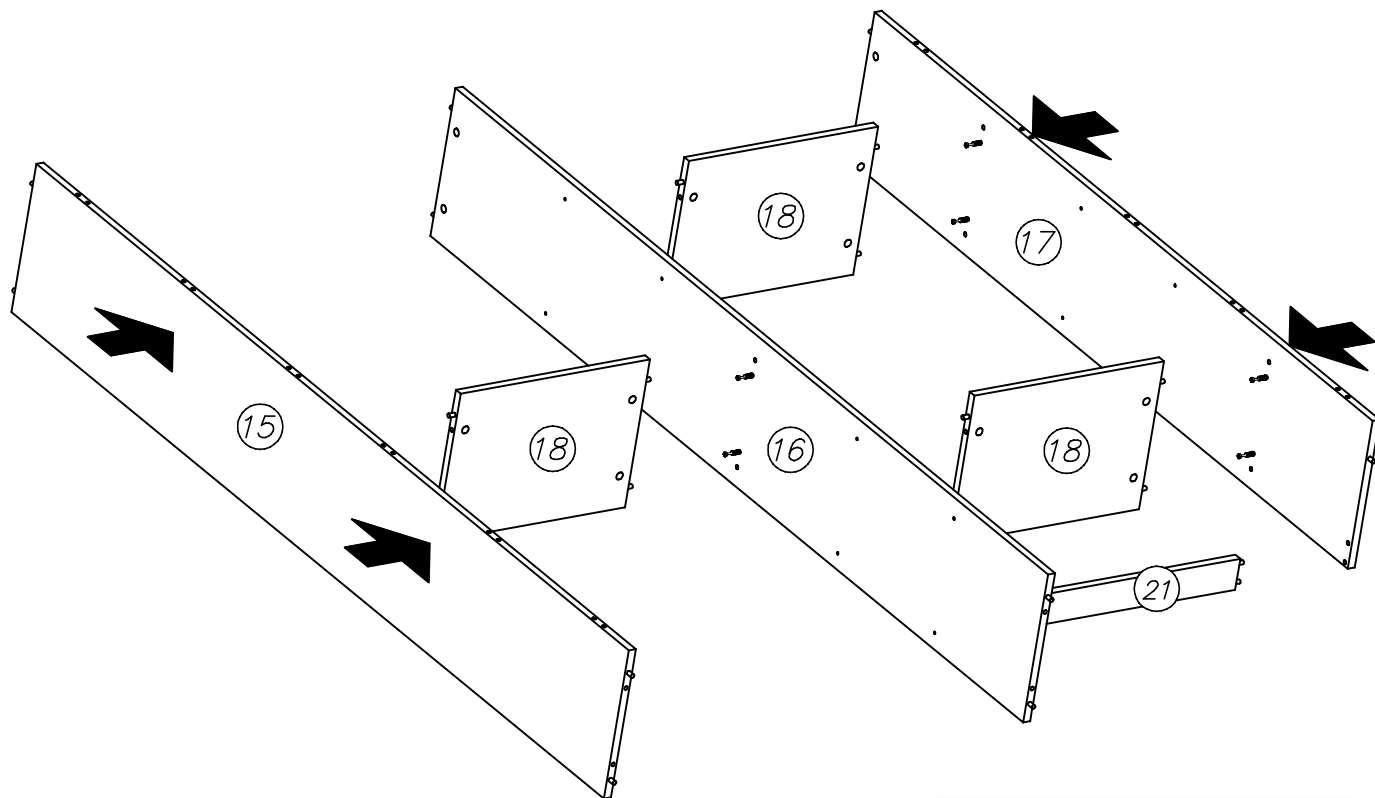


IV

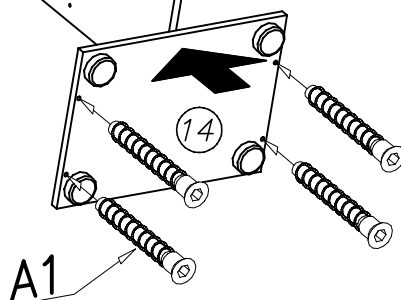
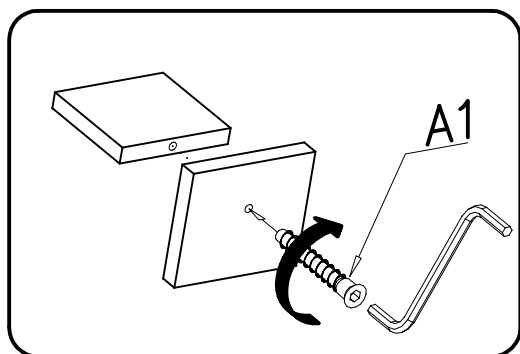
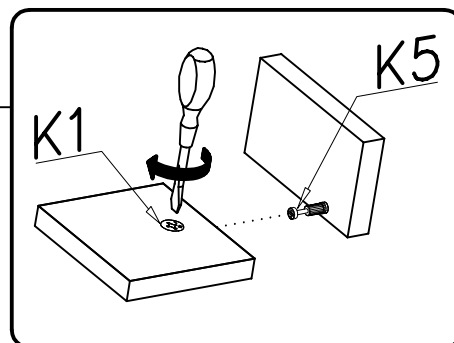
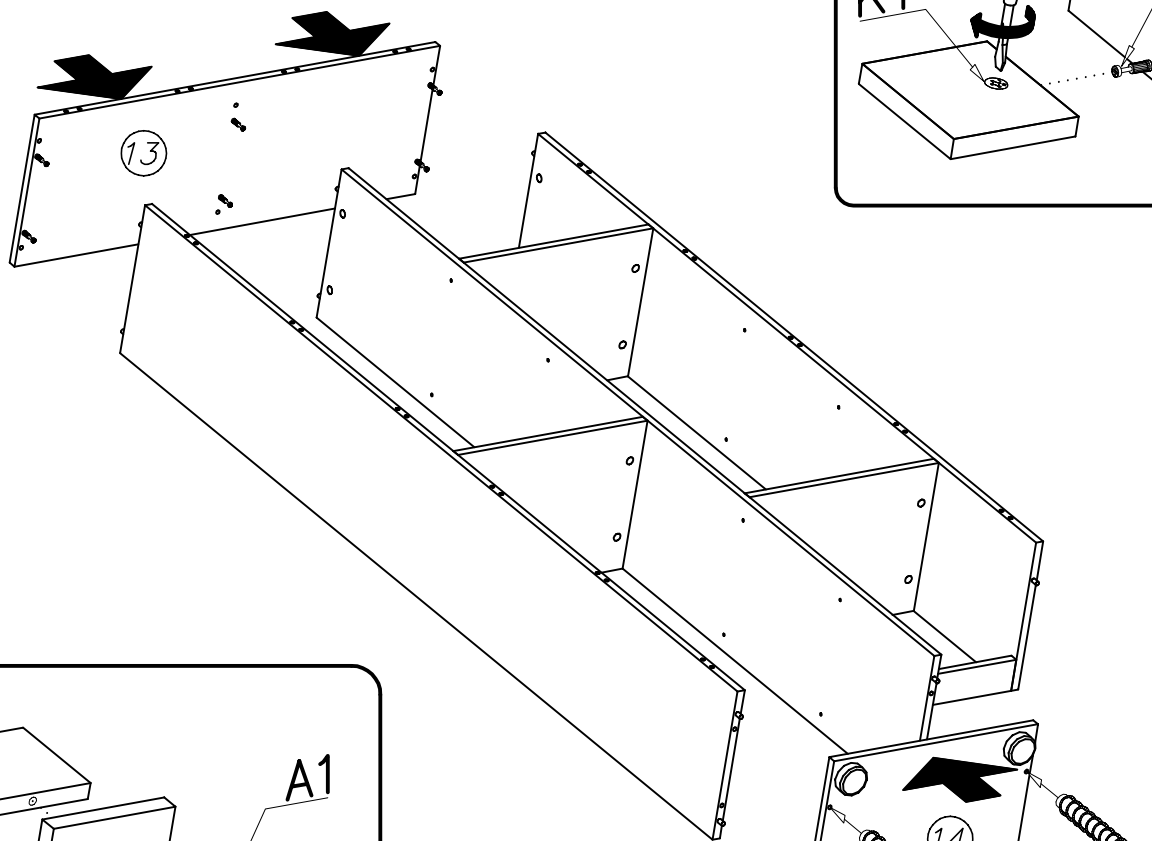


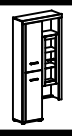


V

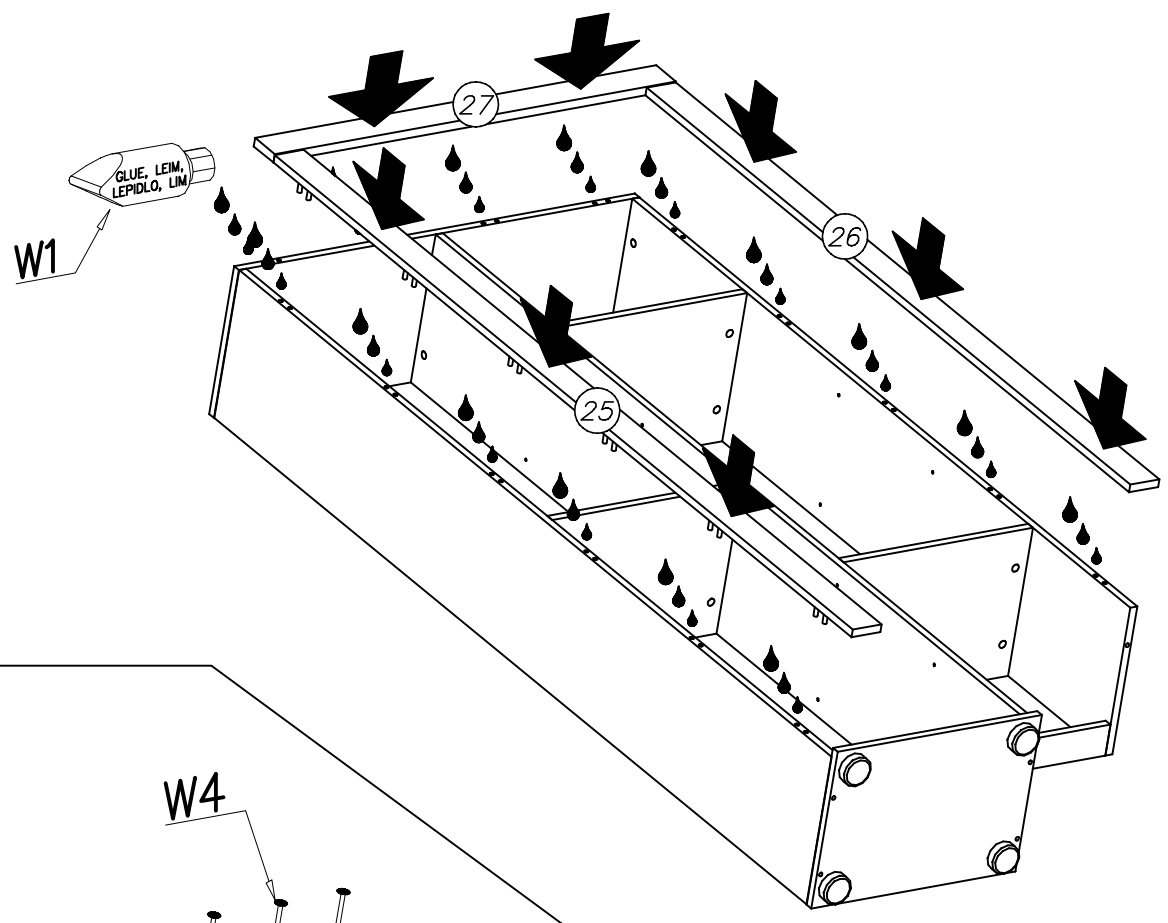


VI

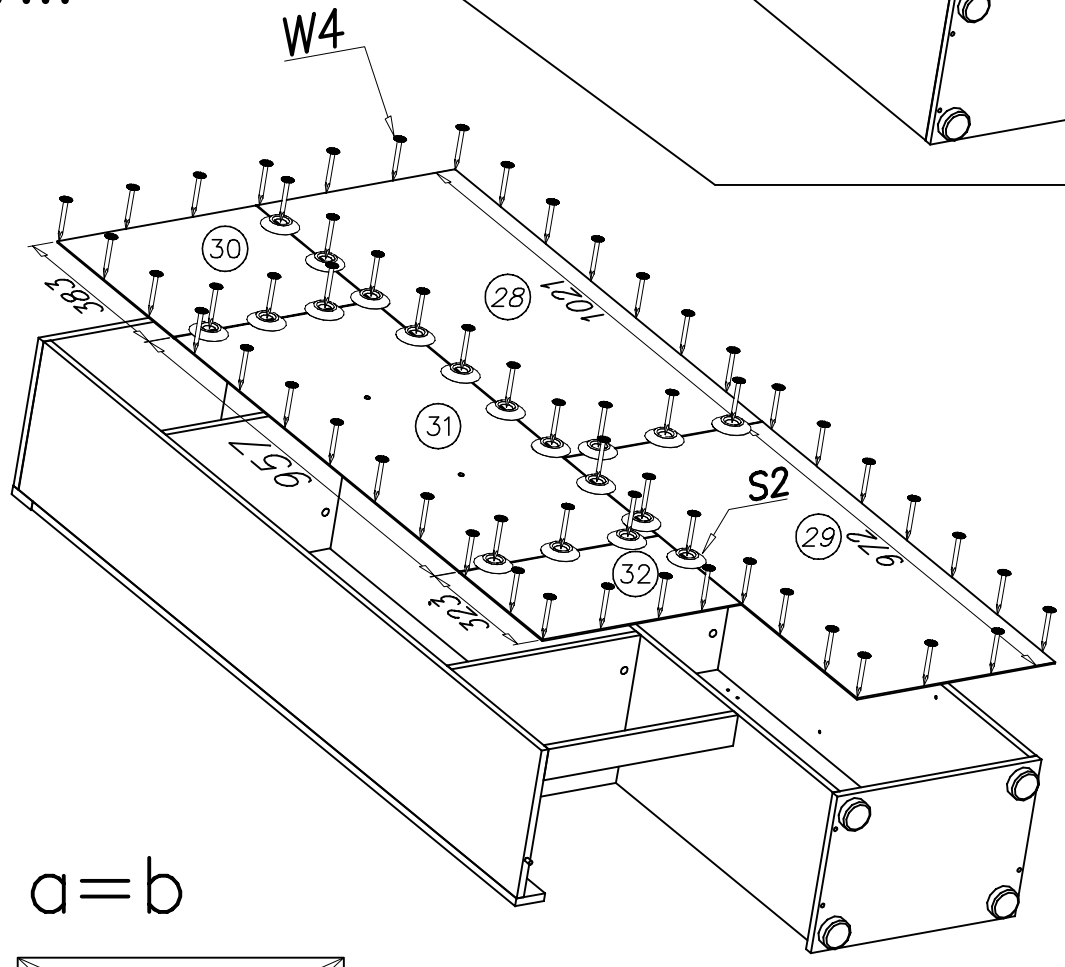




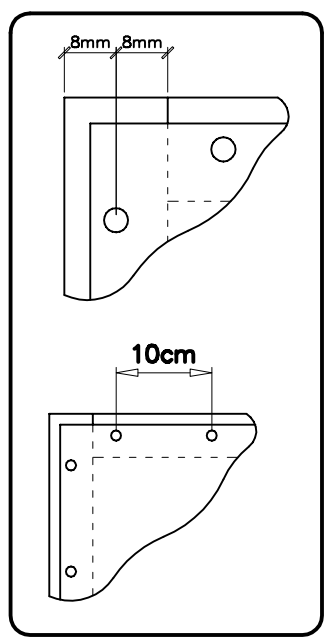
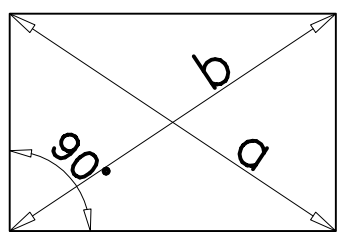
VII

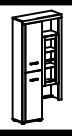


VIII

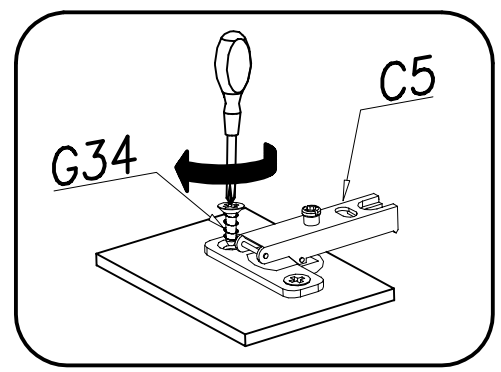
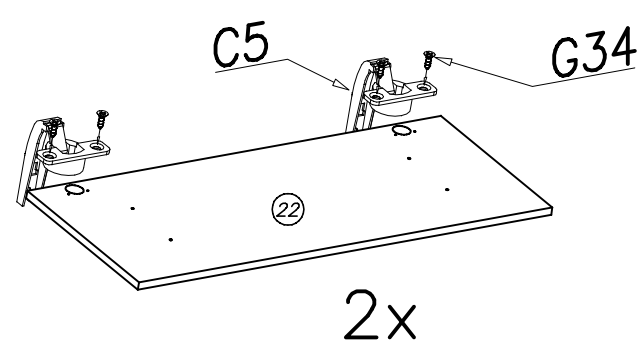


$a = b$

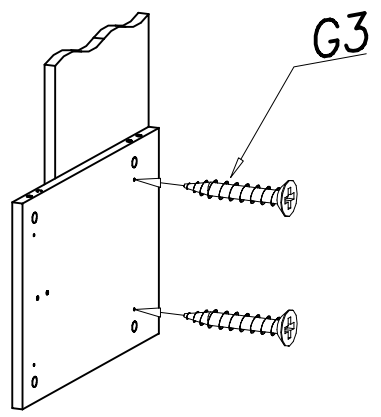
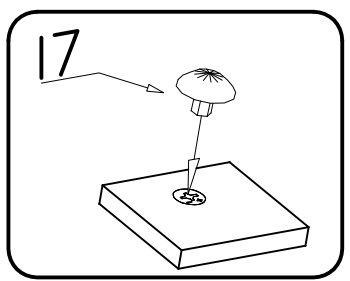
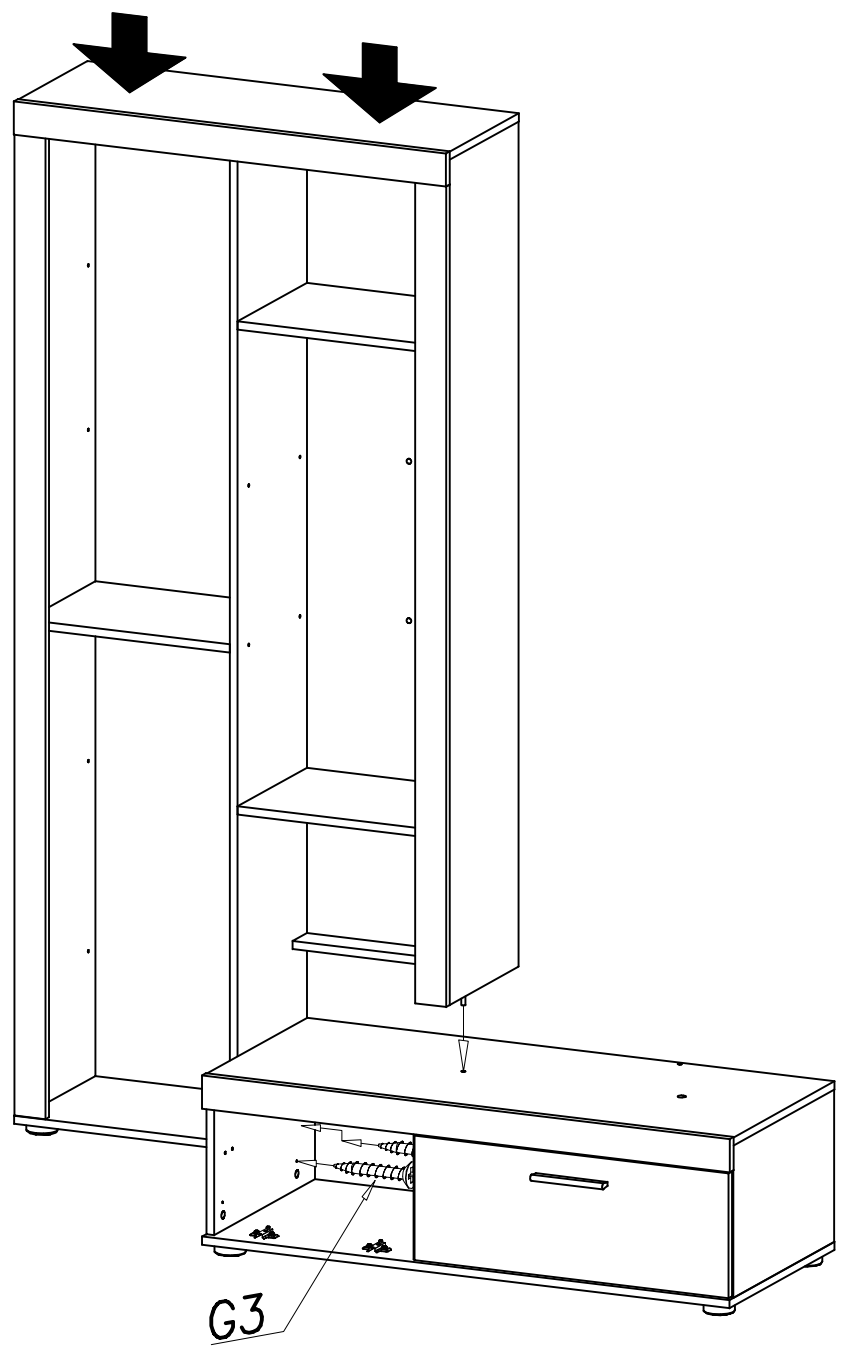




IX

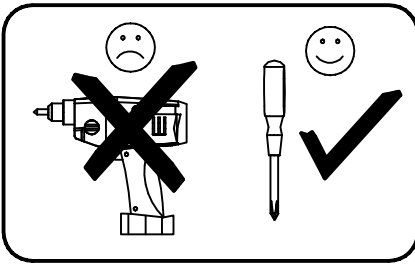
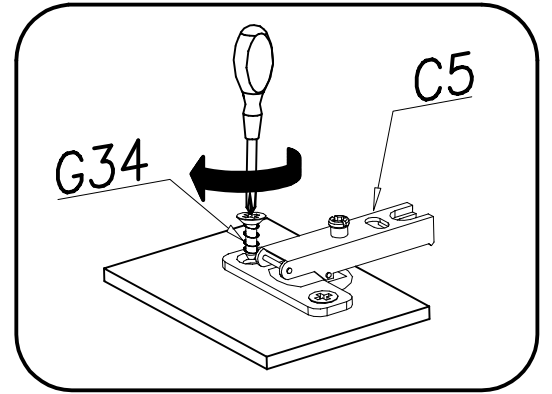
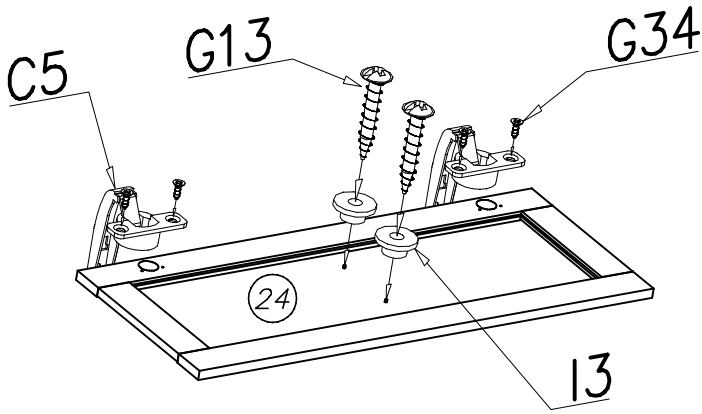


X

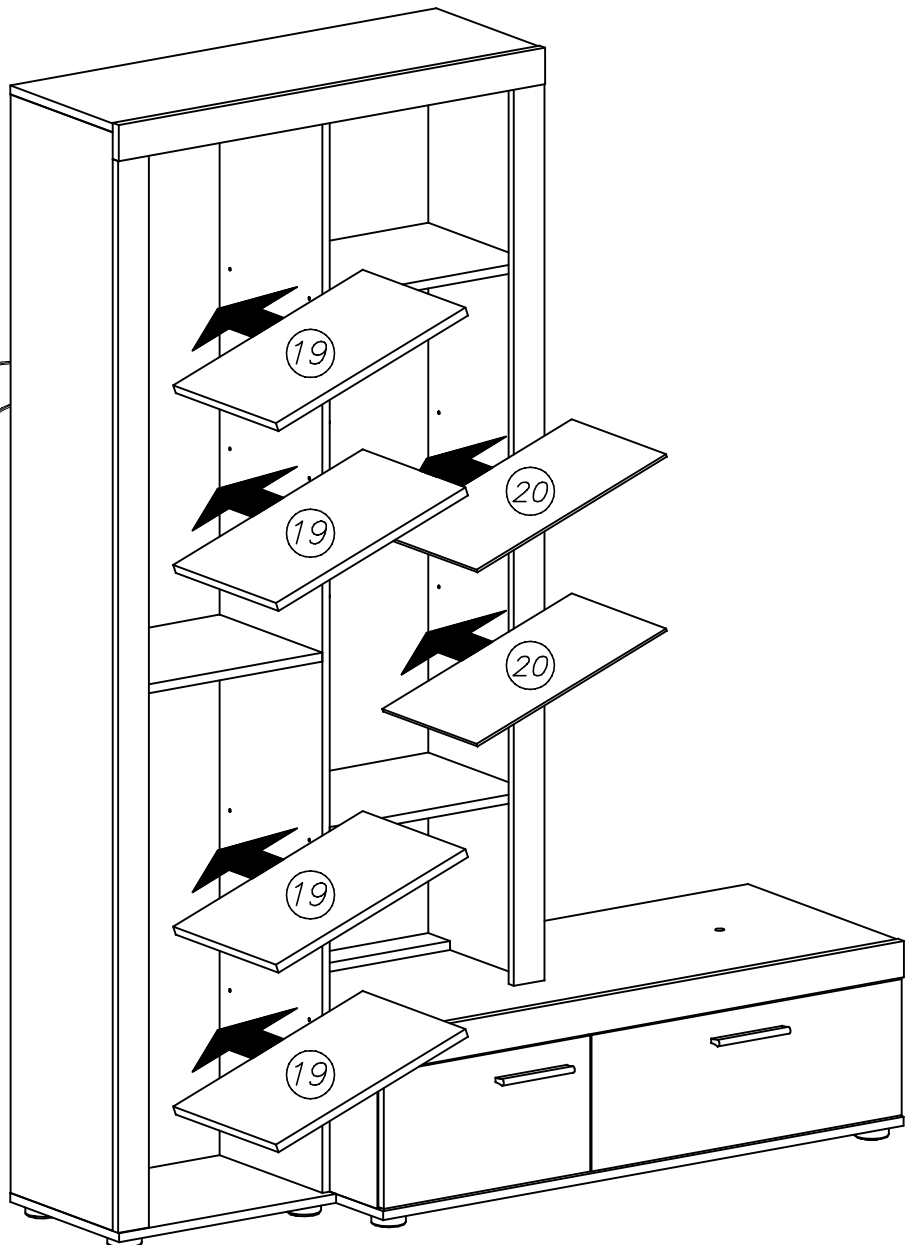
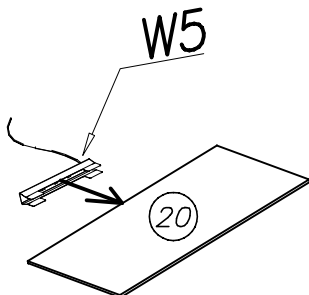
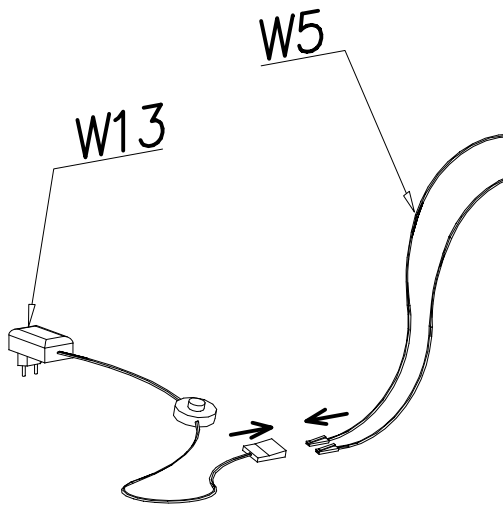


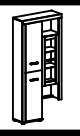


XI

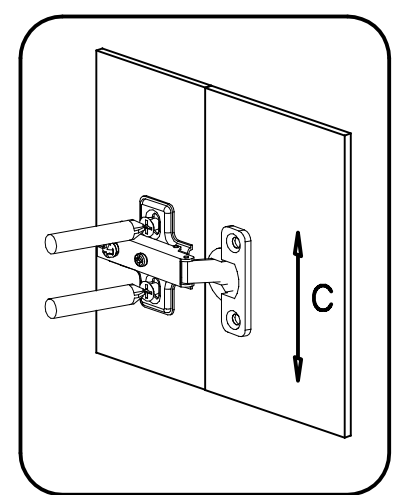
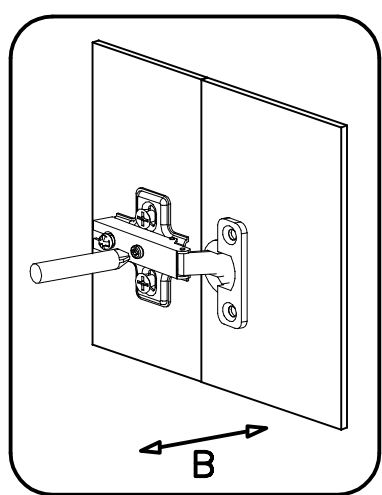
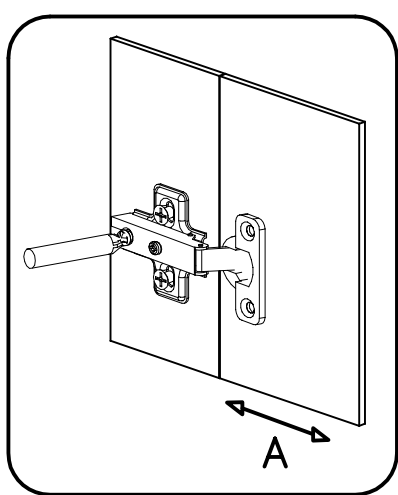
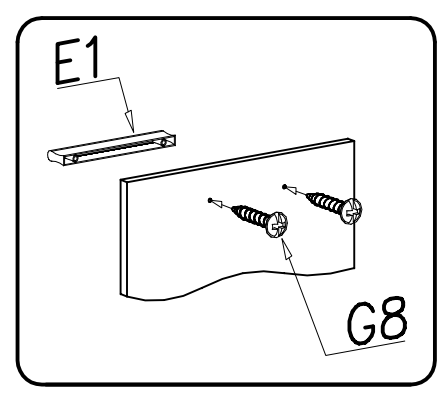
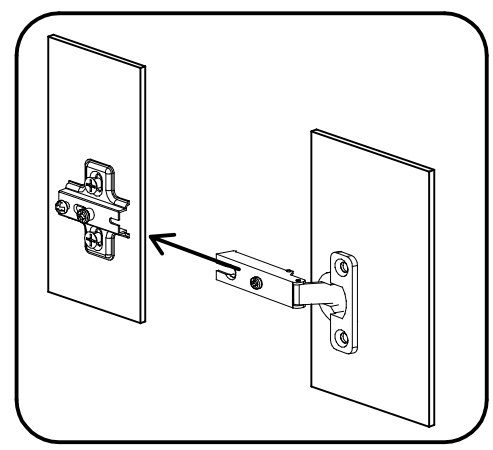
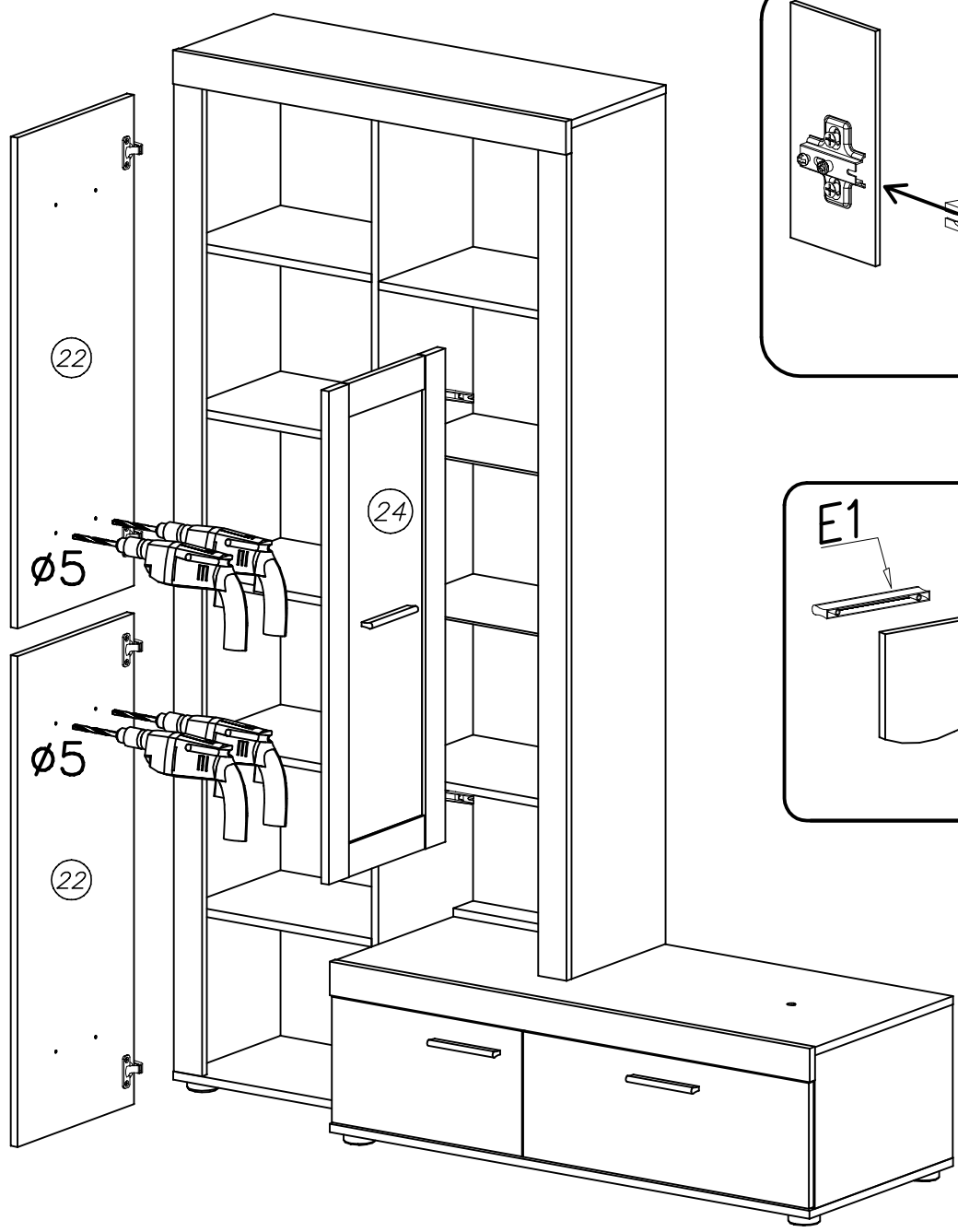


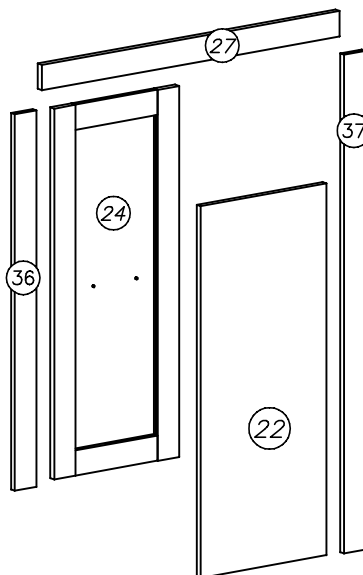
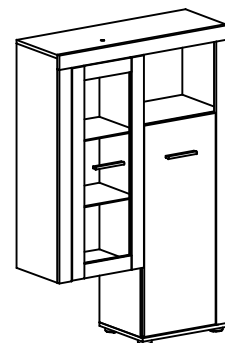
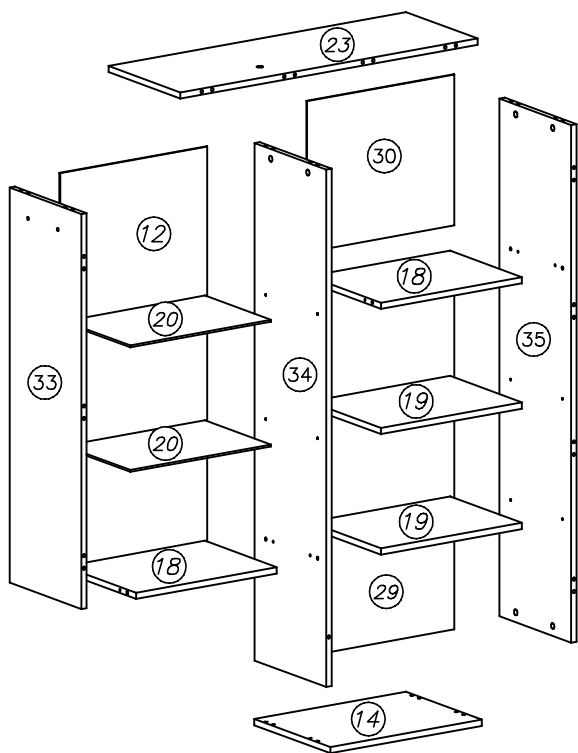
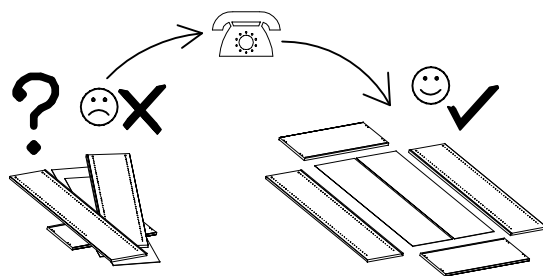
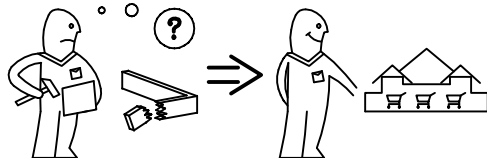
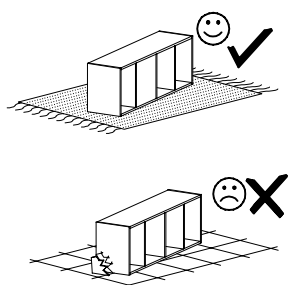
XII







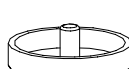

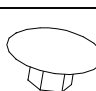
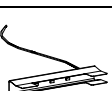
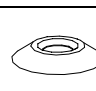
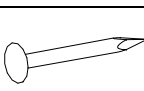
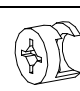
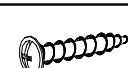


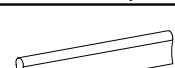
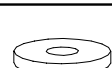




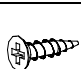
XIII

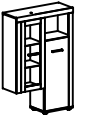




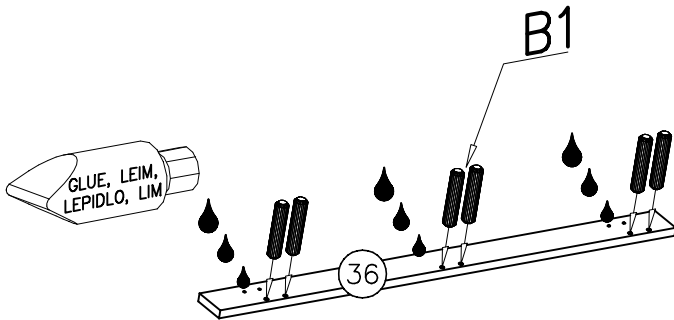
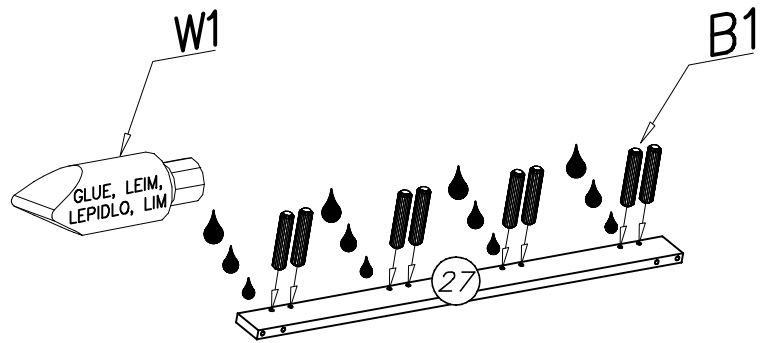
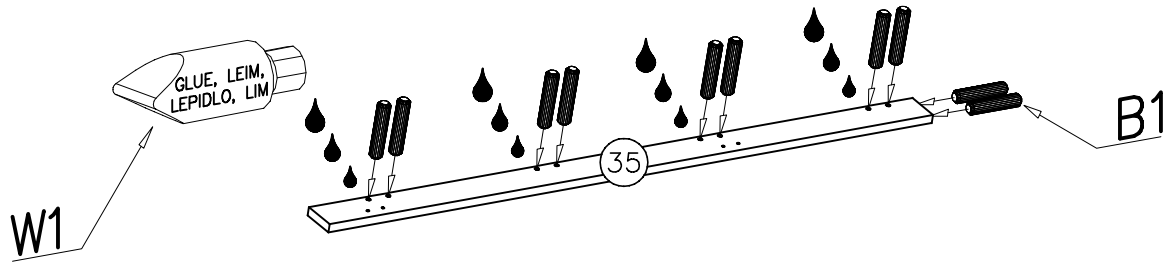
12	x1	Colli 2/5
14	x1	Colli 2/5
18	x1	Colli 4/5
18	x2	Colli 5/5
19	x2	Colli 3/5
20	x2	Colli 2/5
22	x1	Colli 3/5
23	x1	Colli 5/5
24	x1	Colli 3/5
27	x1	Colli 2/5
29	x1	Colli 2/5
30	x1	Colli 2/5
33	x1	Colli 4/5
34	x1	Colli 4/5
35	x1	Colli 4/5
36	x1	Colli 5/5
37	x1	Colli 5/5



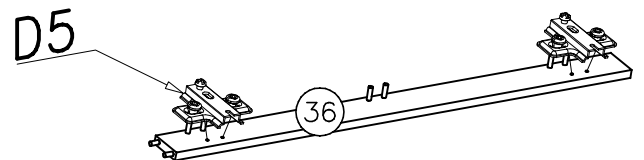
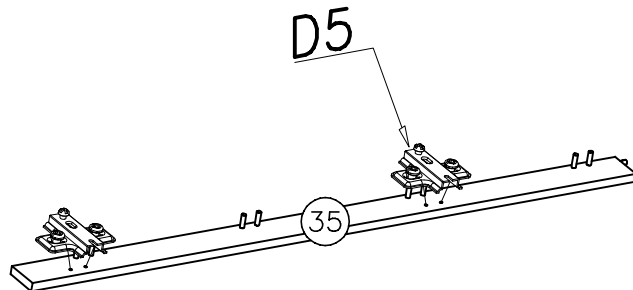
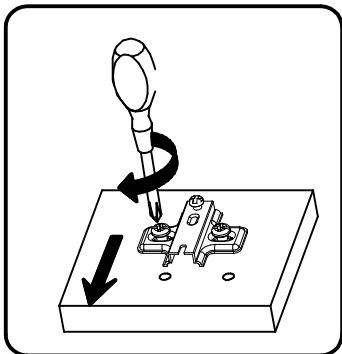
	A1  ø7x50 x...(4)	W1  GLUE, LEIM, LEPIDLO, LIM x...(2)	P1  x...(4)	G3  4x30 x...(2)
I7  x...(14)	W5  LED x...(2)	S2  x...(14)	W4  x...(~50)	K1  ø15x12 x...(14)
G8  4x30 x...(2)	B1  ø8x35 x...(44)	K5  x...(14)	E1  128mm x...(2)	I3  x...(2)
F2  x...(16)	C5  Z35R0 x...(4)	D5  PZ35R0 x...(4)	G13  4x20 x...(2)	G36  3,5x13 x...(8)

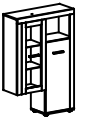


I

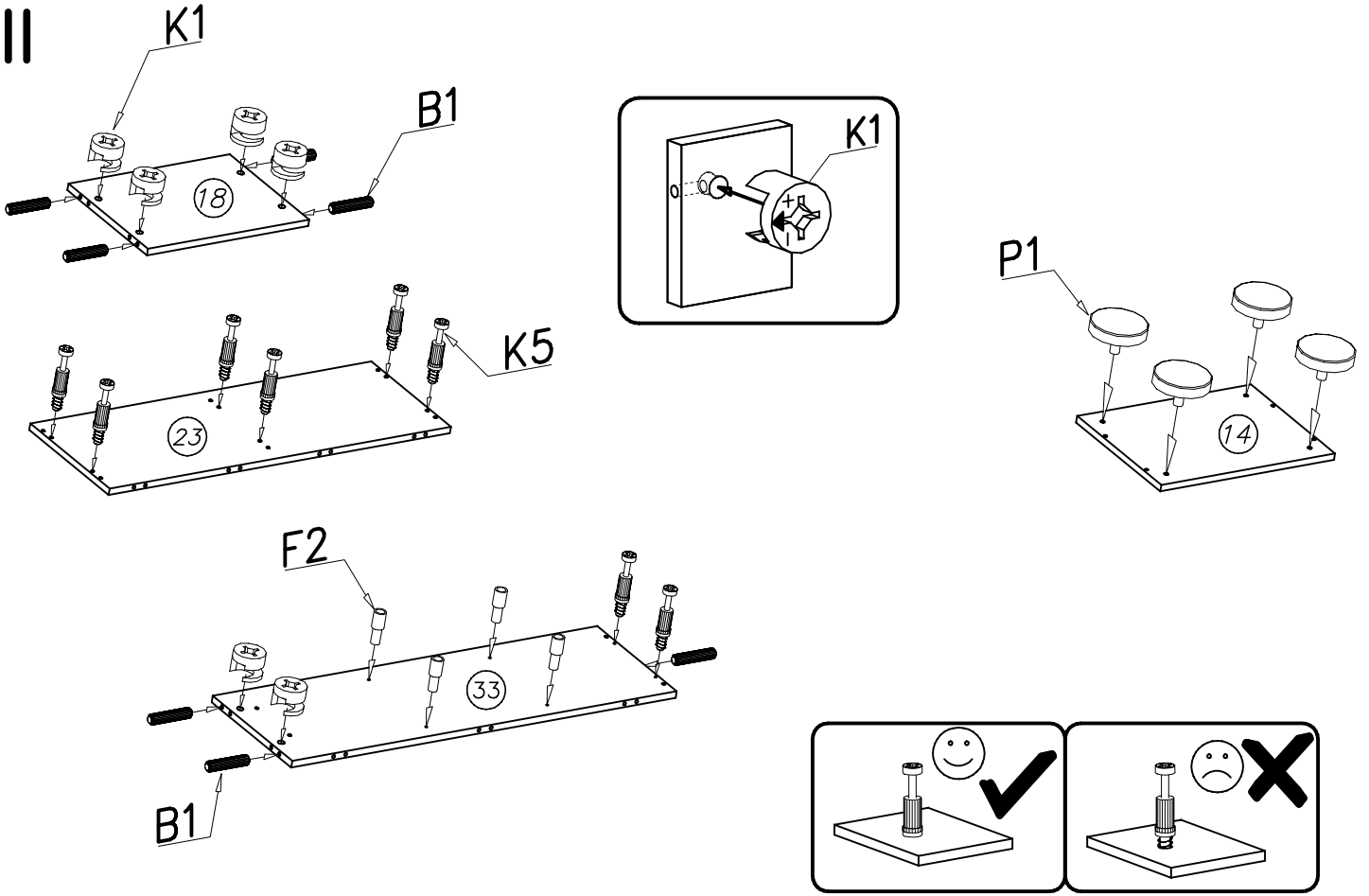


II

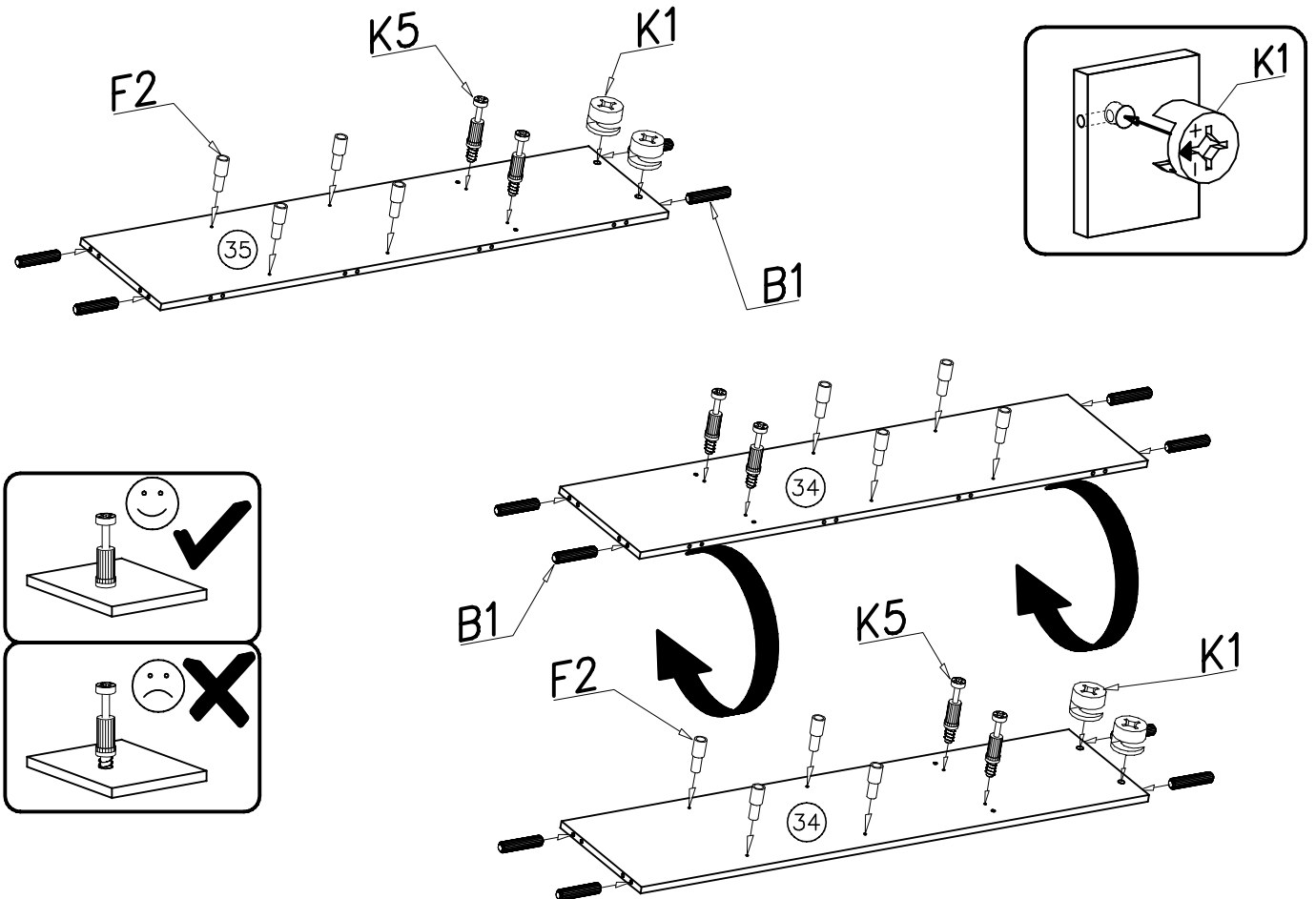


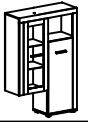


III

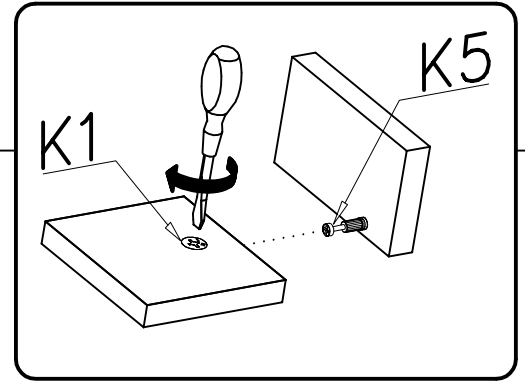
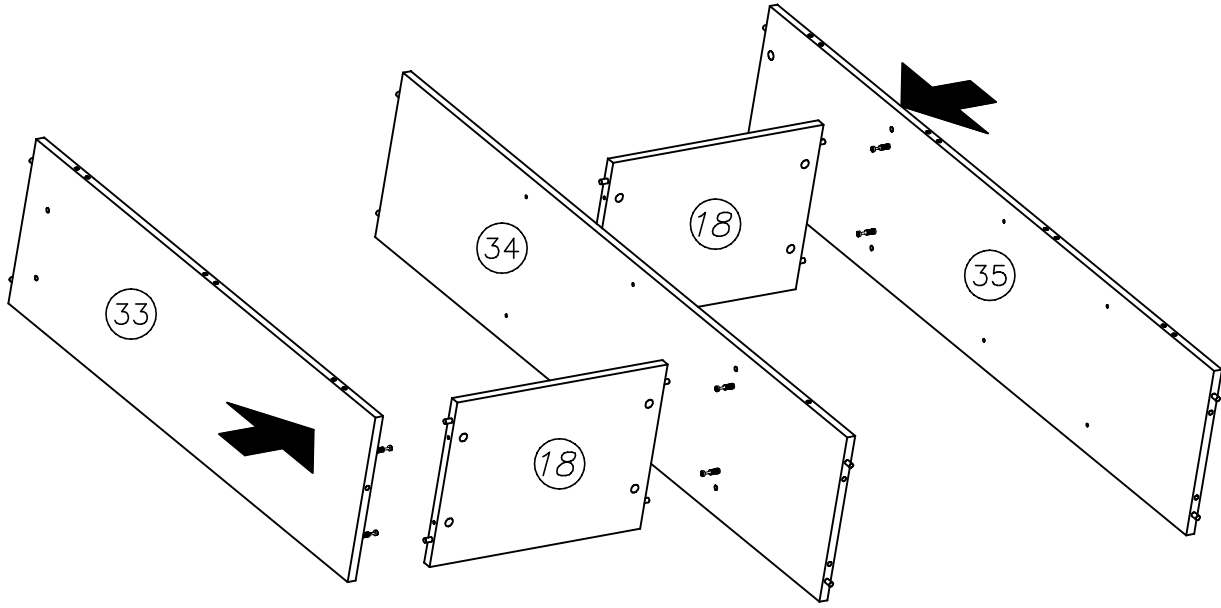


IV

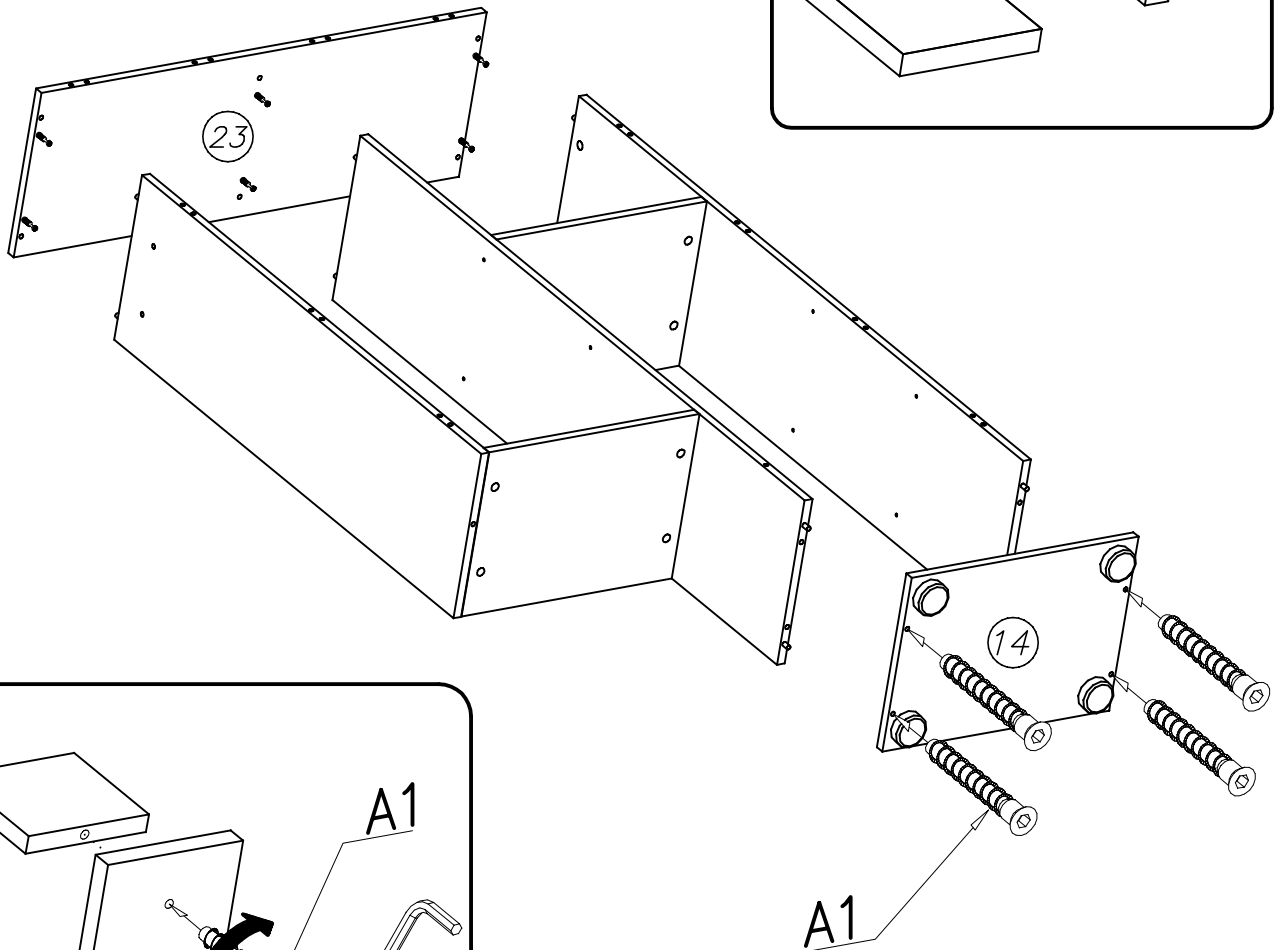


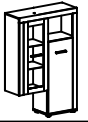


V

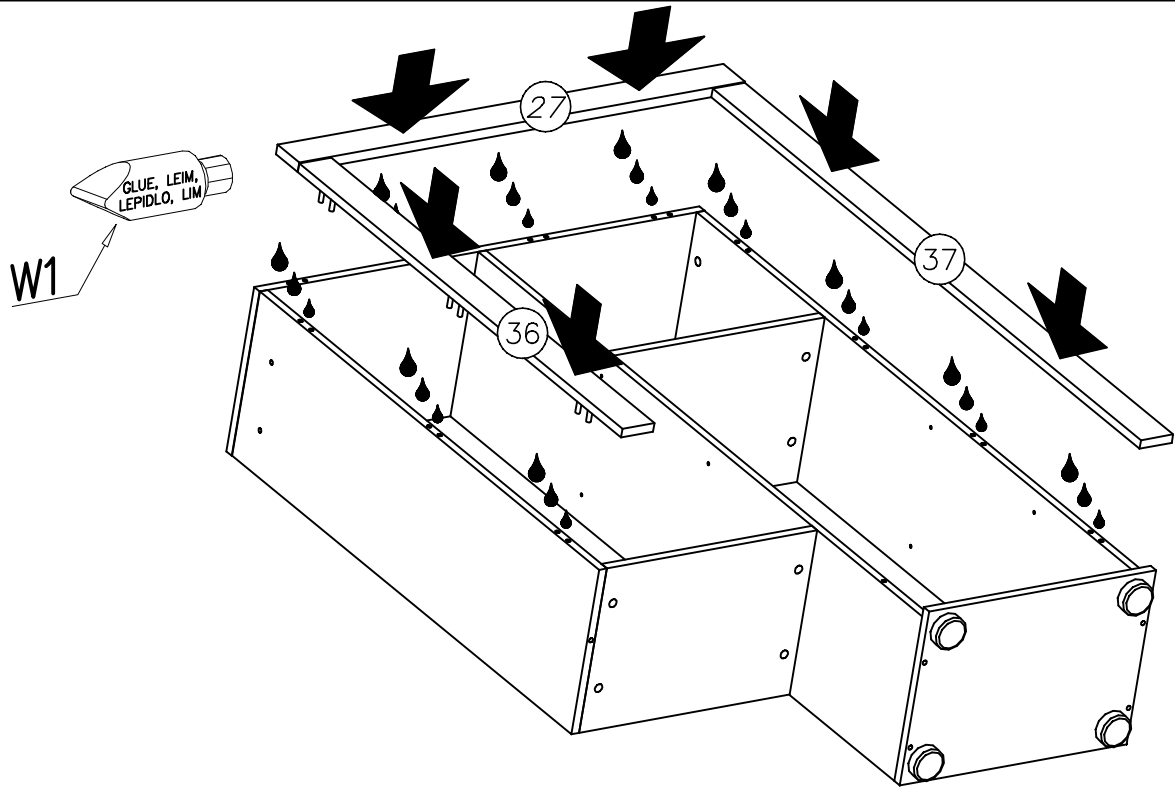


VI

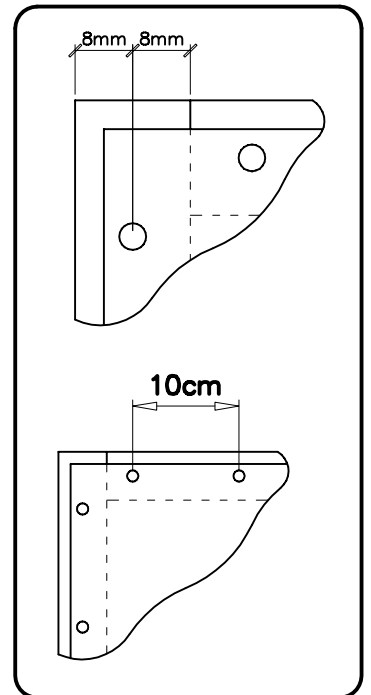
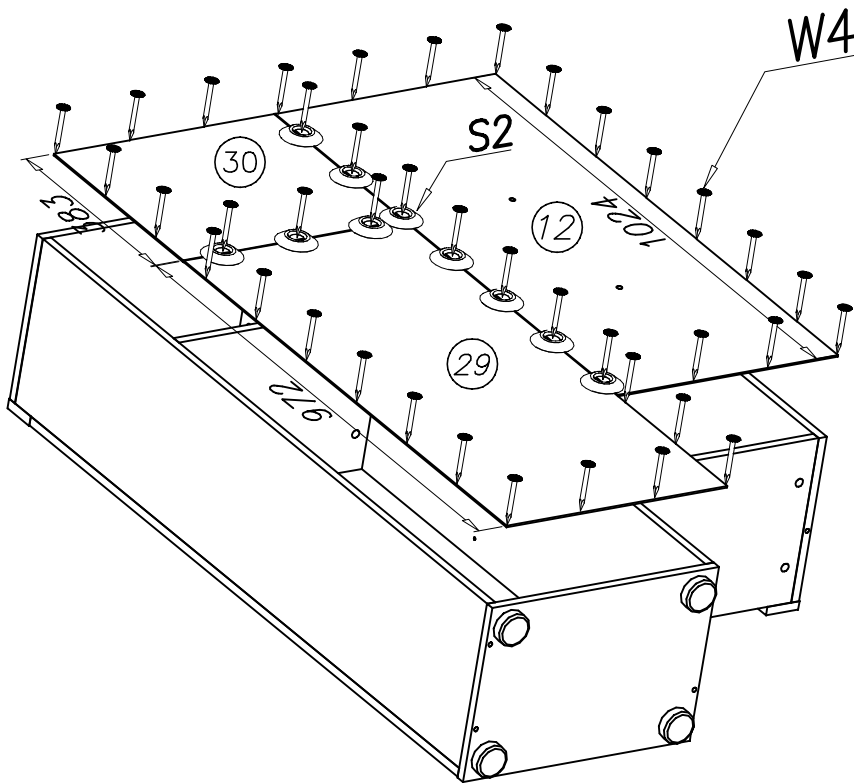




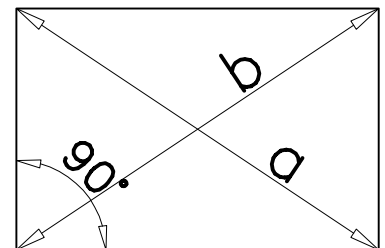
VII

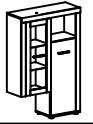


VIII

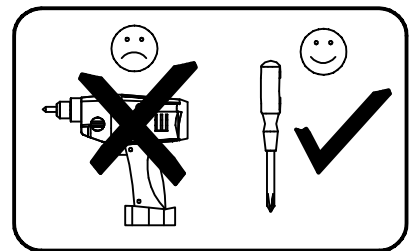
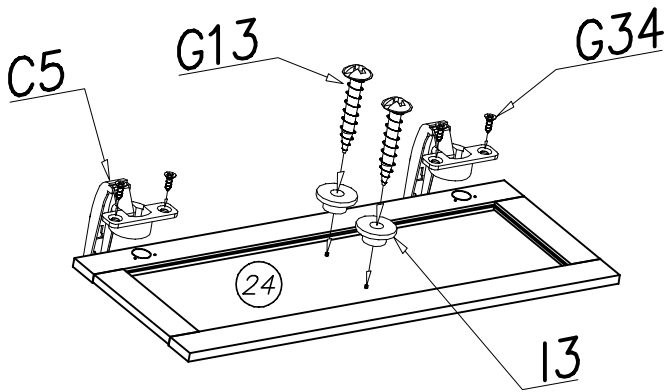
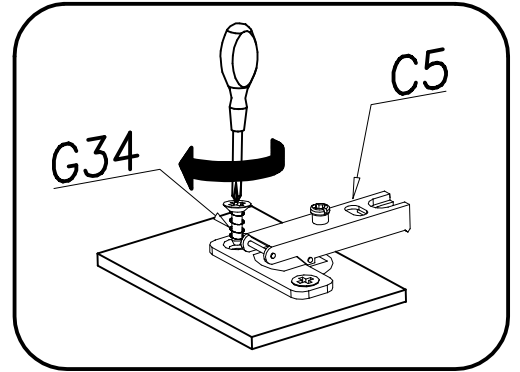
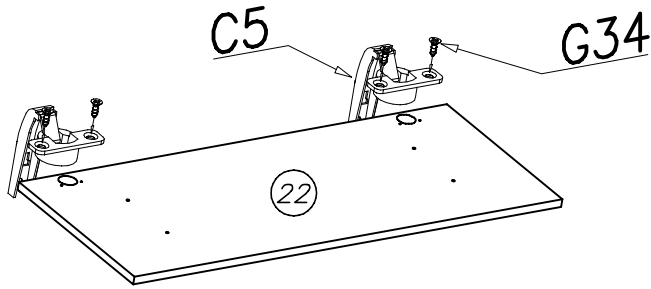


$a = b$

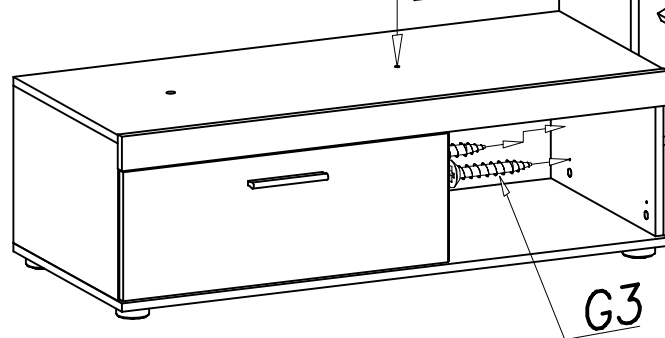
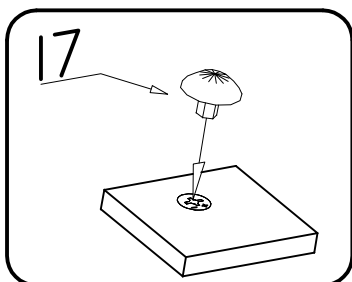
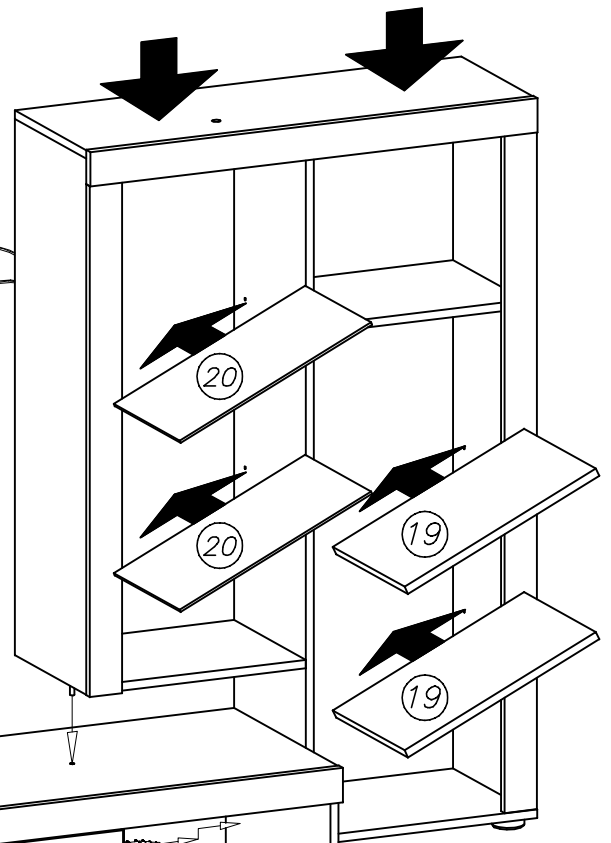
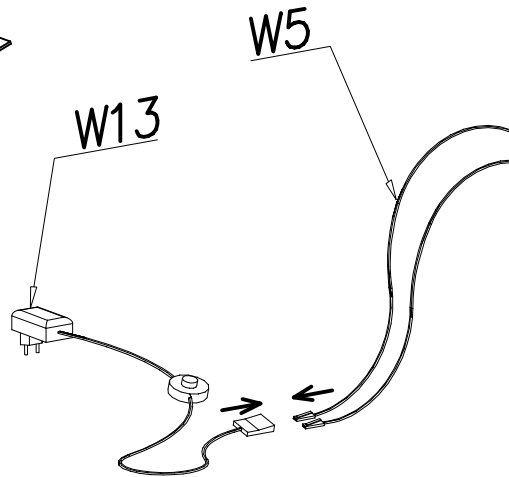
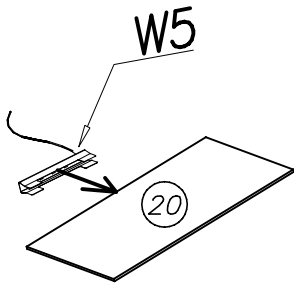


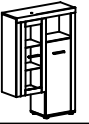


IX

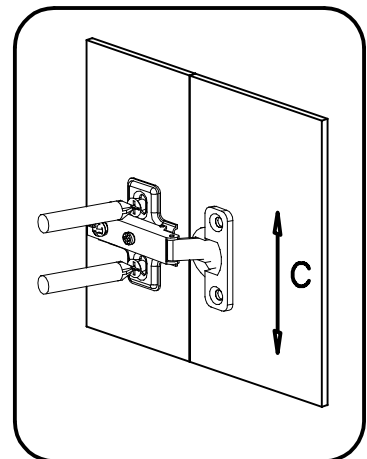
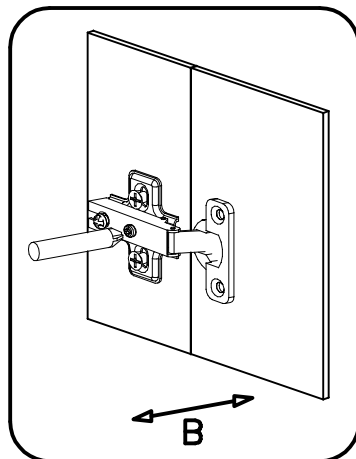
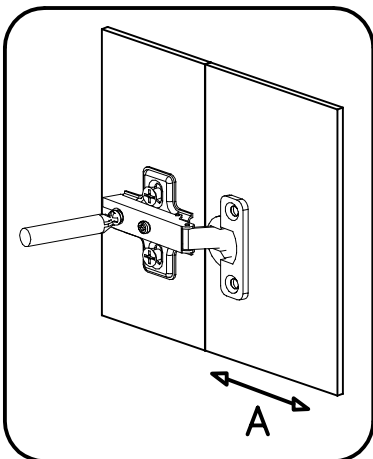
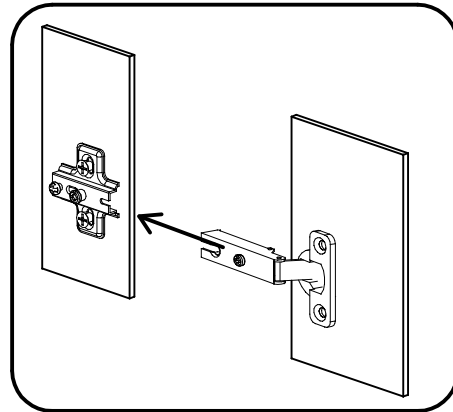
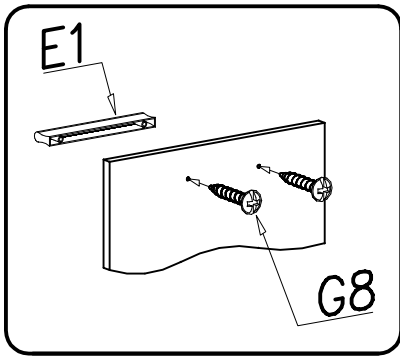
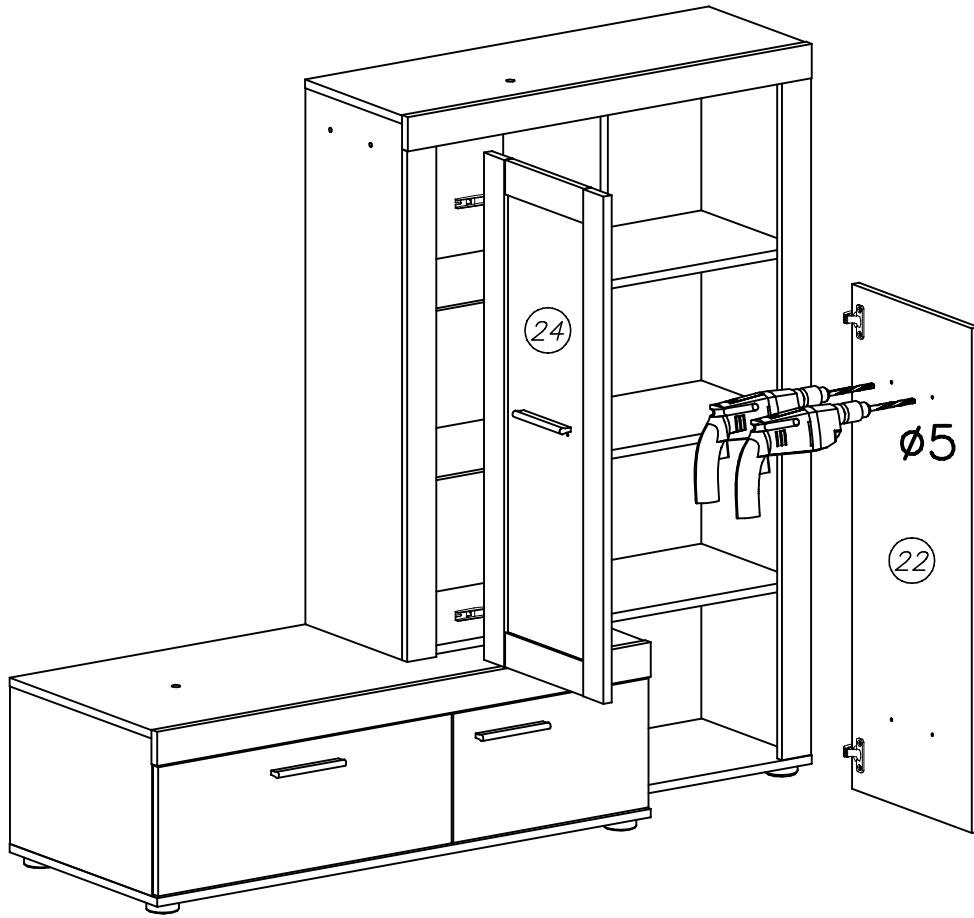


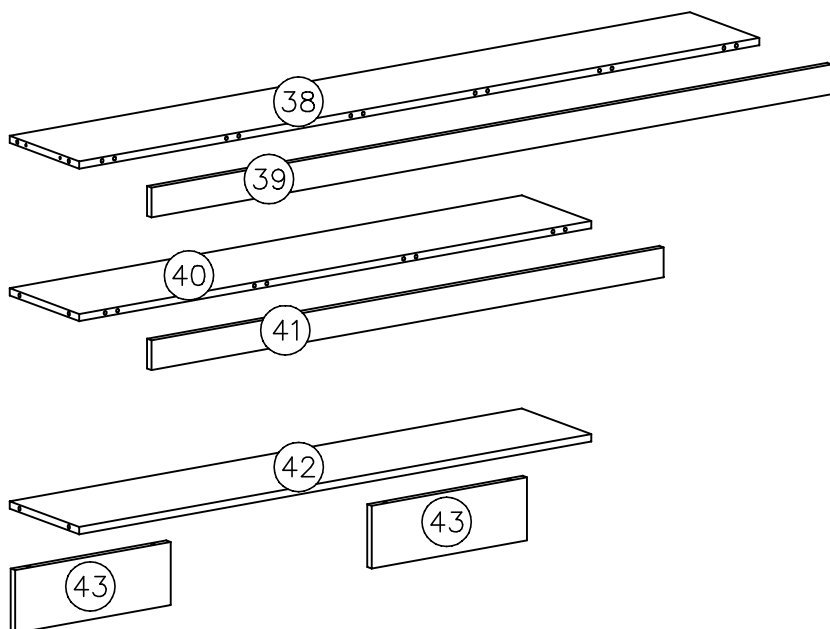
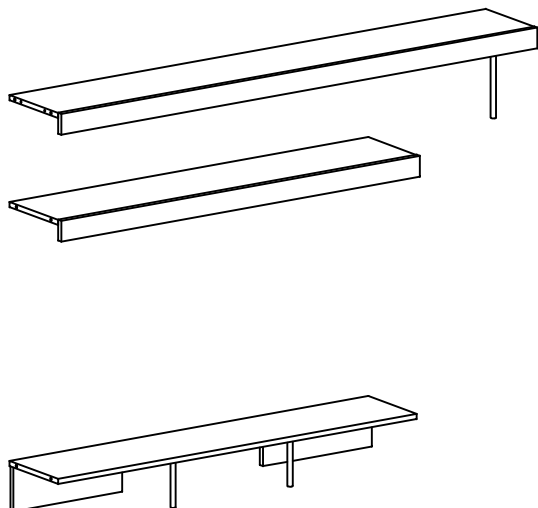
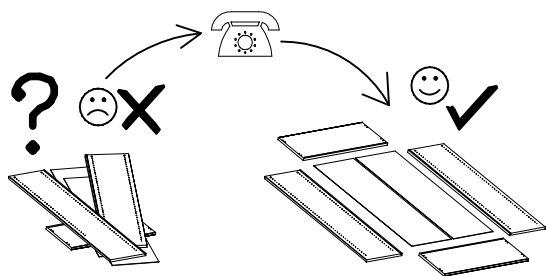
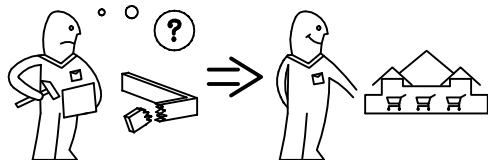
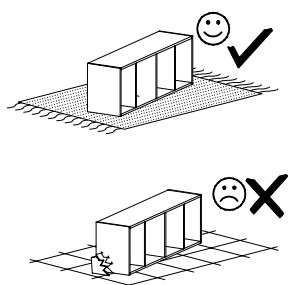
X



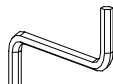







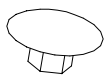

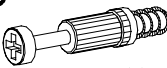


XI

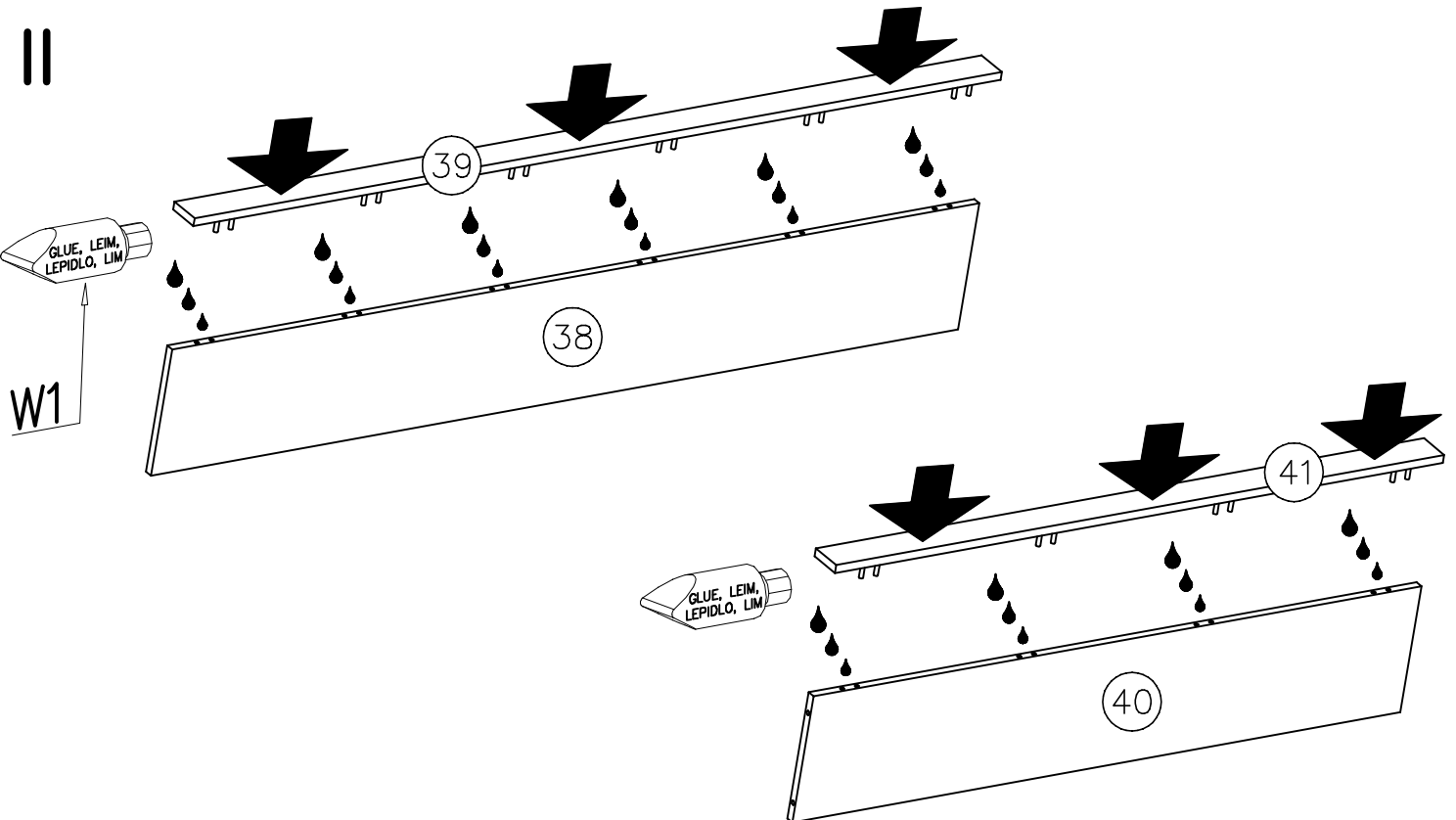
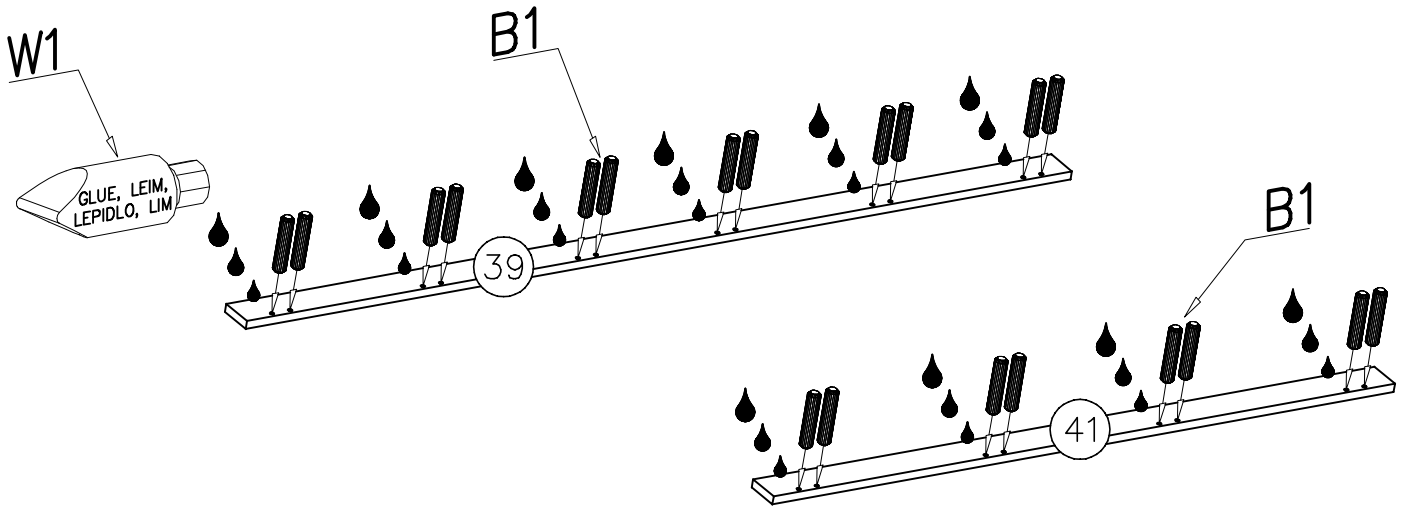
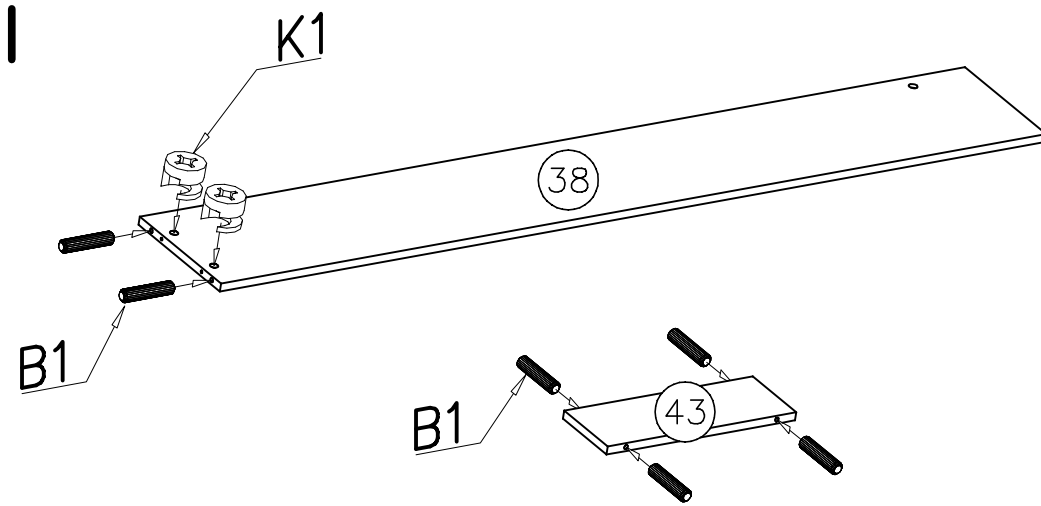
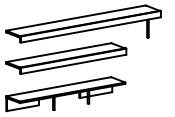


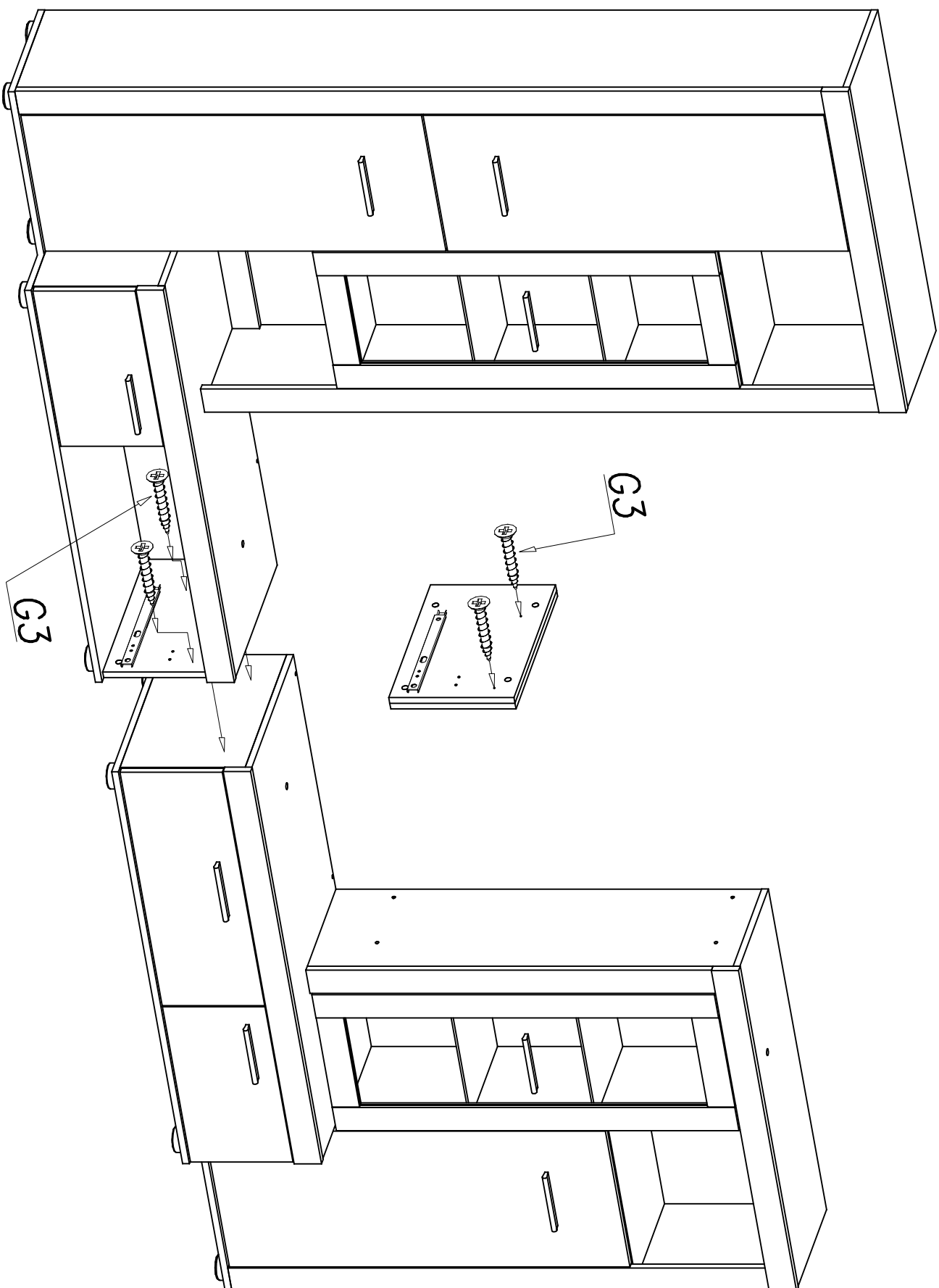
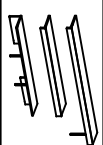


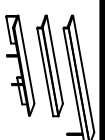
38	x1	Colli 5/5
39	x1	Colli 5/5
40	x1	Colli 4/5
41	x1	Colli 4/5
42	x1	Colli 4/5
43	x2	Colli 2/5

W2	
4mm	x...(1)

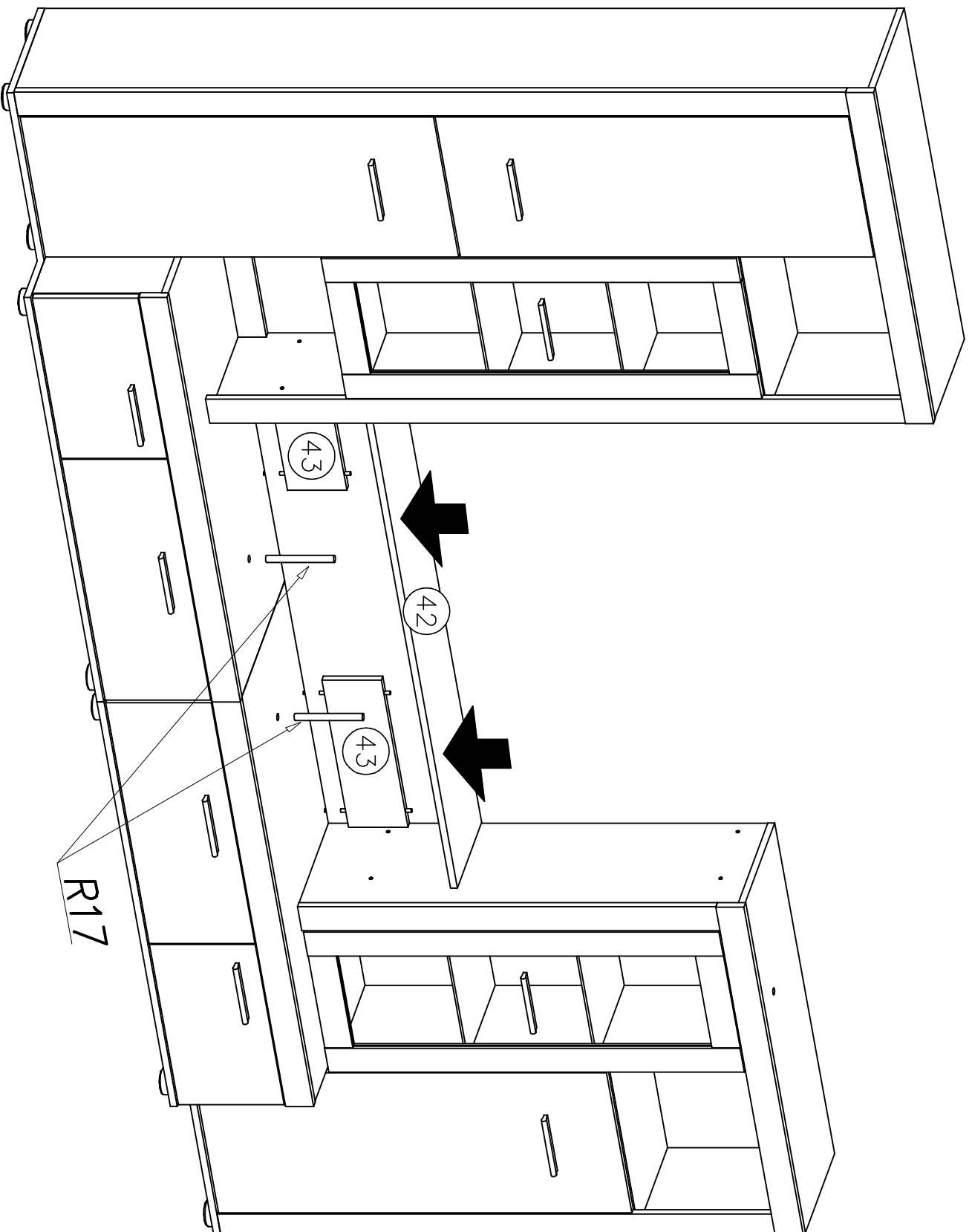
G3  4x30 x...(2)	R17  ø16x157 x...(2)	R18  ø16x261 x...(1)	B1  ø8x35 x...(30)	A1  ø7x50 x...(8)
I7  ø18 x...(2)	I9  ø12 x...(8)	K5  x...(2)	W1  x...(2)	K1  ø15x12 x...(2)

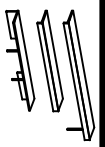




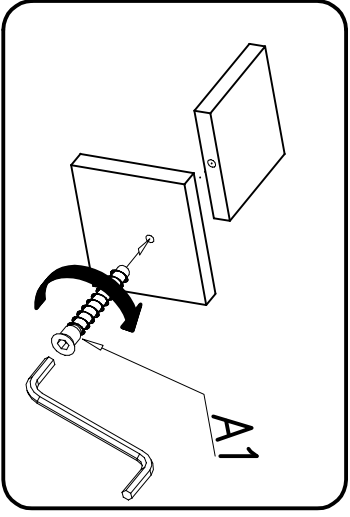
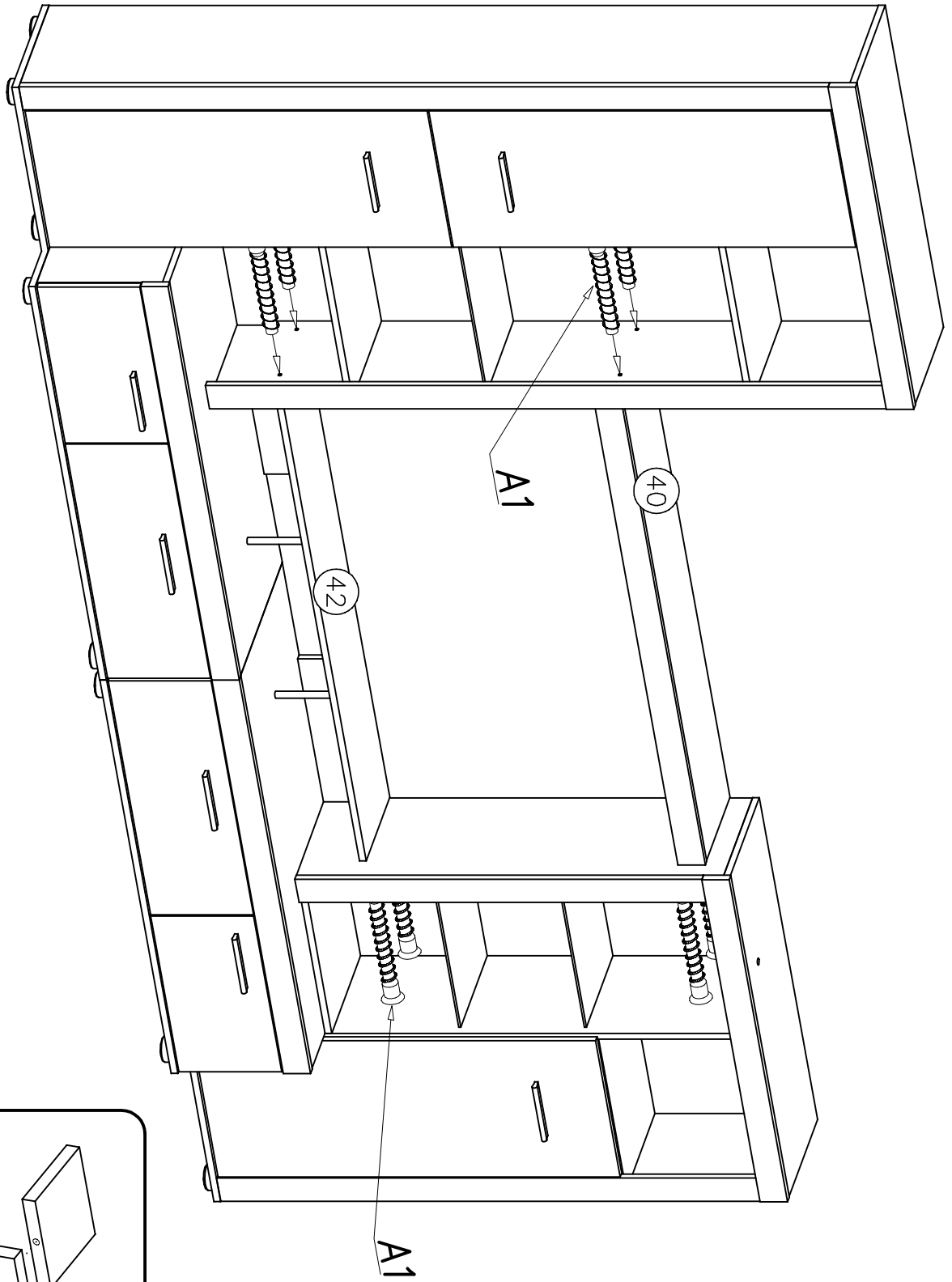


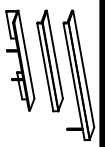
IV





V





M

