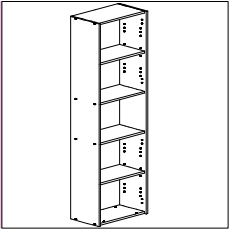


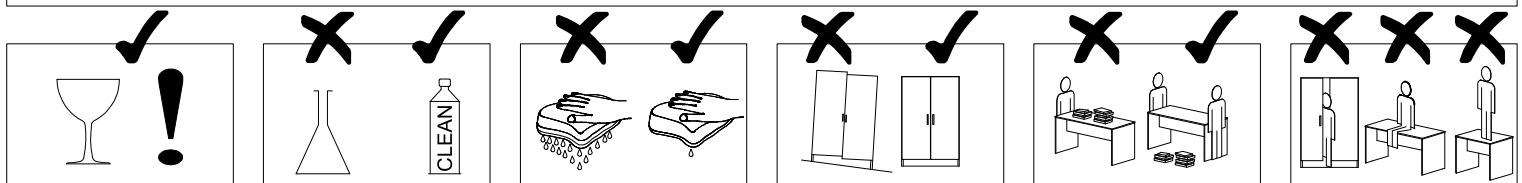
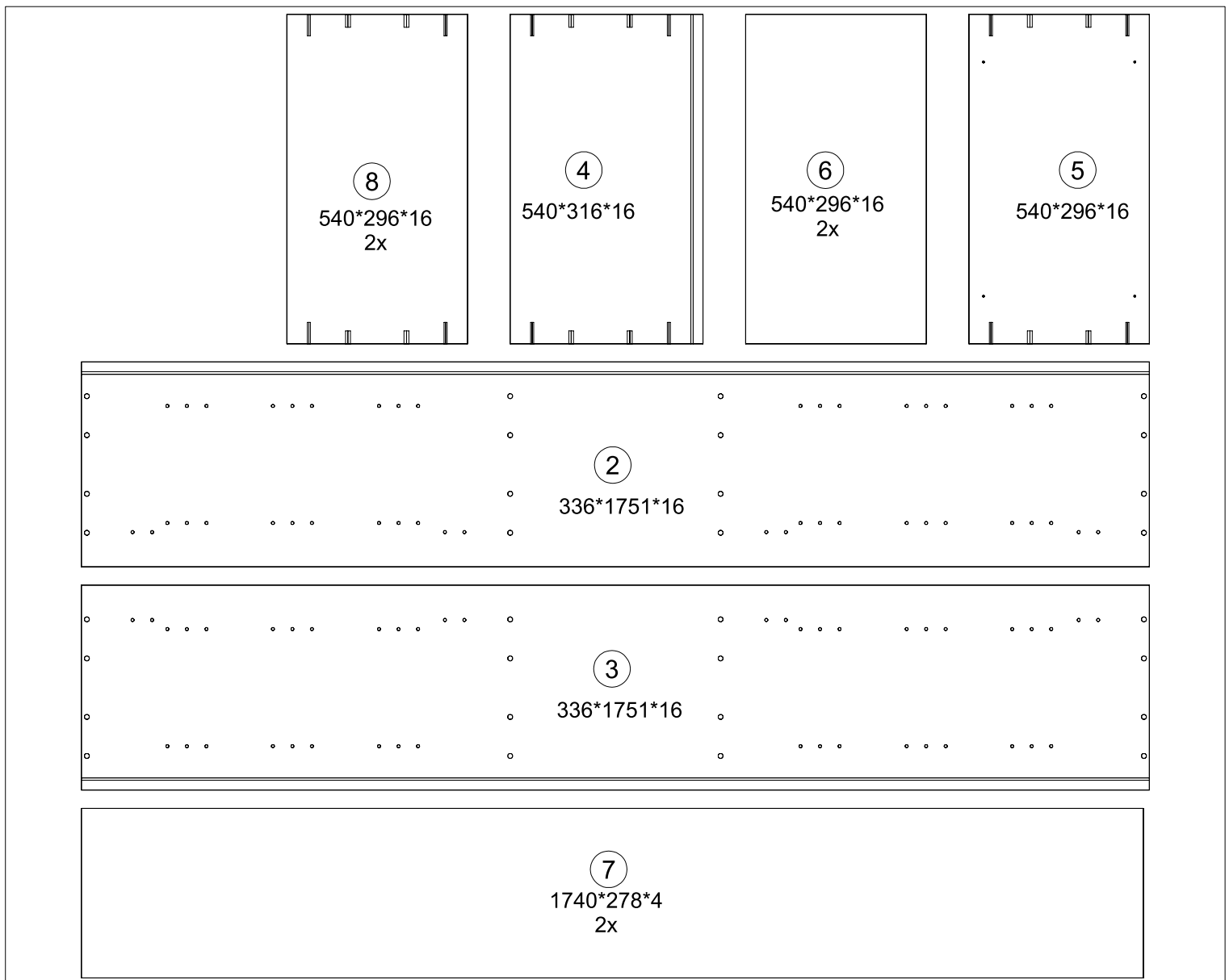


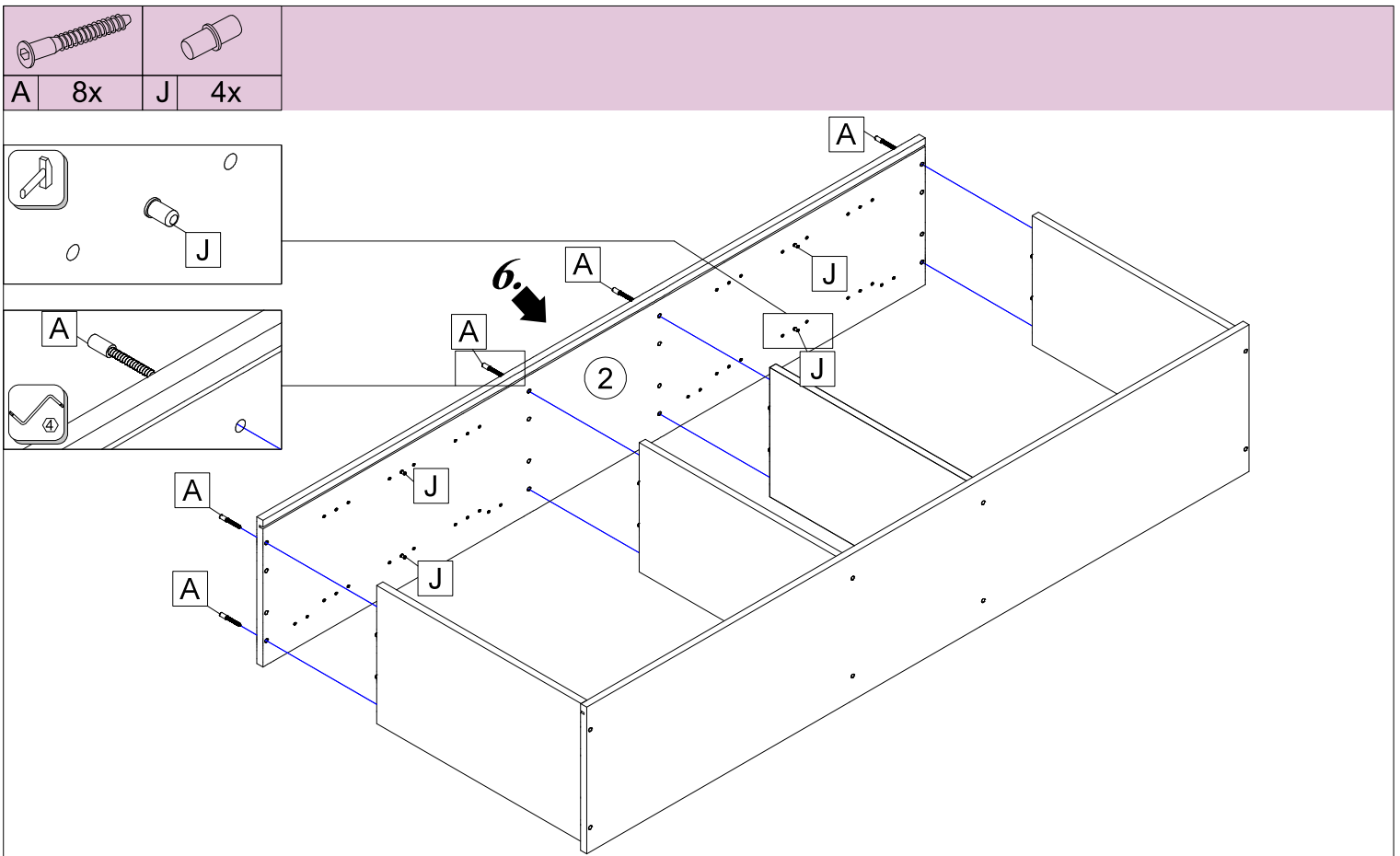
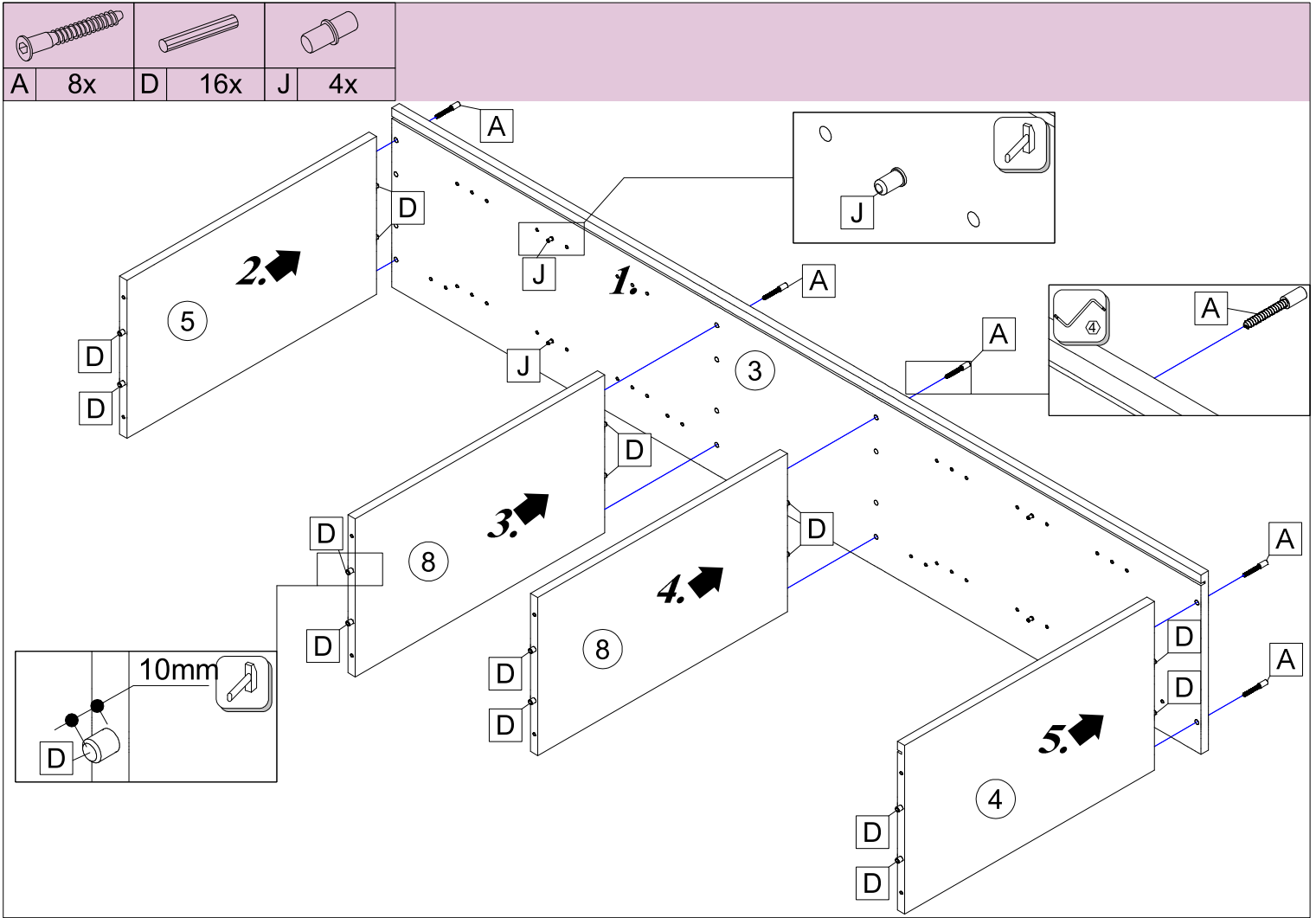
ASISTENT  
 AS-001-00  
 572\*336\*1751

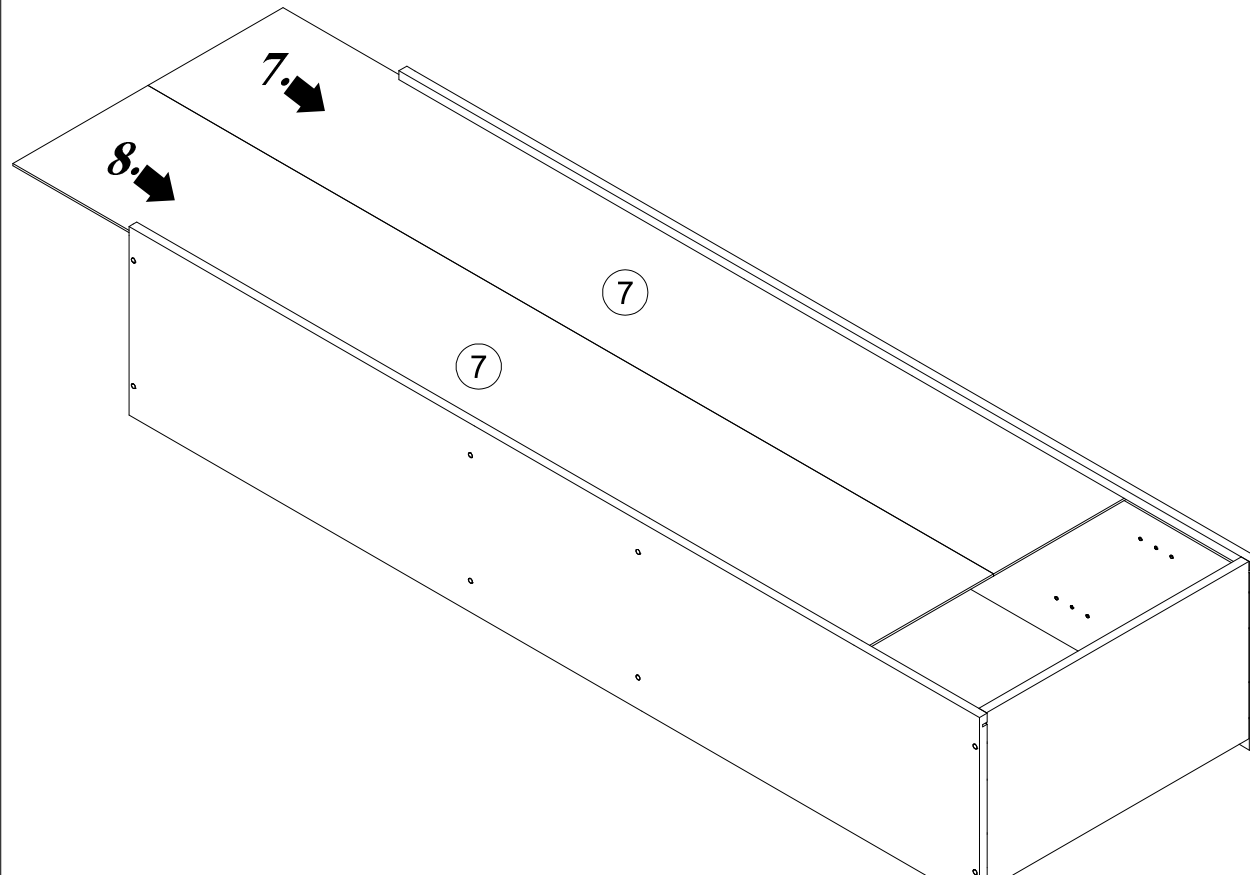


A 16x	C 24x Ø1,6x20	D 16x Ø8x30	F 16x	J 8x

0h650min		4	5,56x6125	≤60,56kg	0,6m	3m	
----------	--	---	-----------	----------	------	----	--







	Ř1,6x20		
C	24x	F	16x

