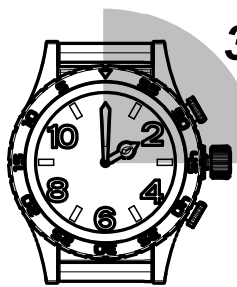
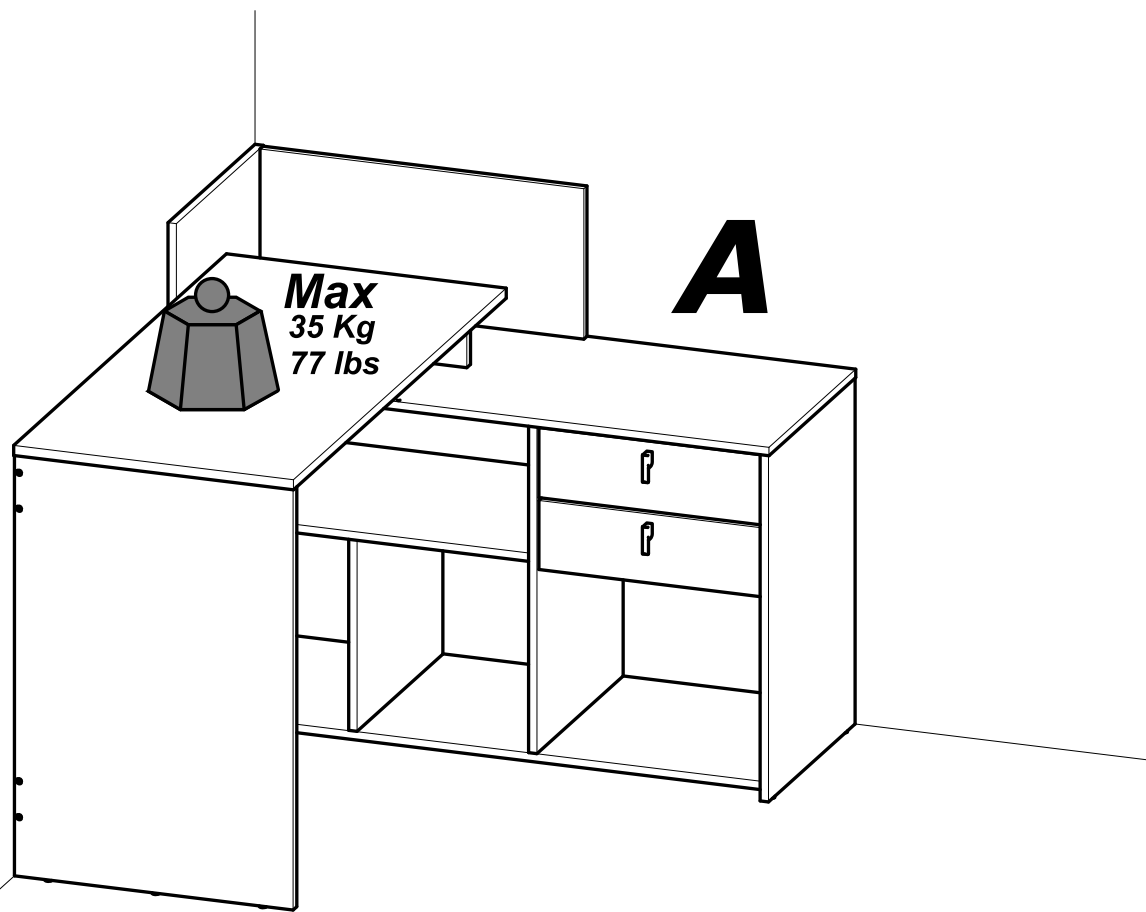


SK Montážny návod

- FR** NOTICE DE MONTAGE
- EN** ASSEMBLY INSTRUCTIONS
- DE** MONTAGEANLEITUNG
- ES** INSTRUCCIONES DE MONTAJE
- NL** MONTAGEVOORSCHRIFT
- IT** ISTRUZIONI DI MONTAGGIO
- PT** INSTRUÇÕES DE MONTAGEM
- PL** INSTRUKCJA MONTAŻU
- CR** NAPUTCI ZA MONTAŽU

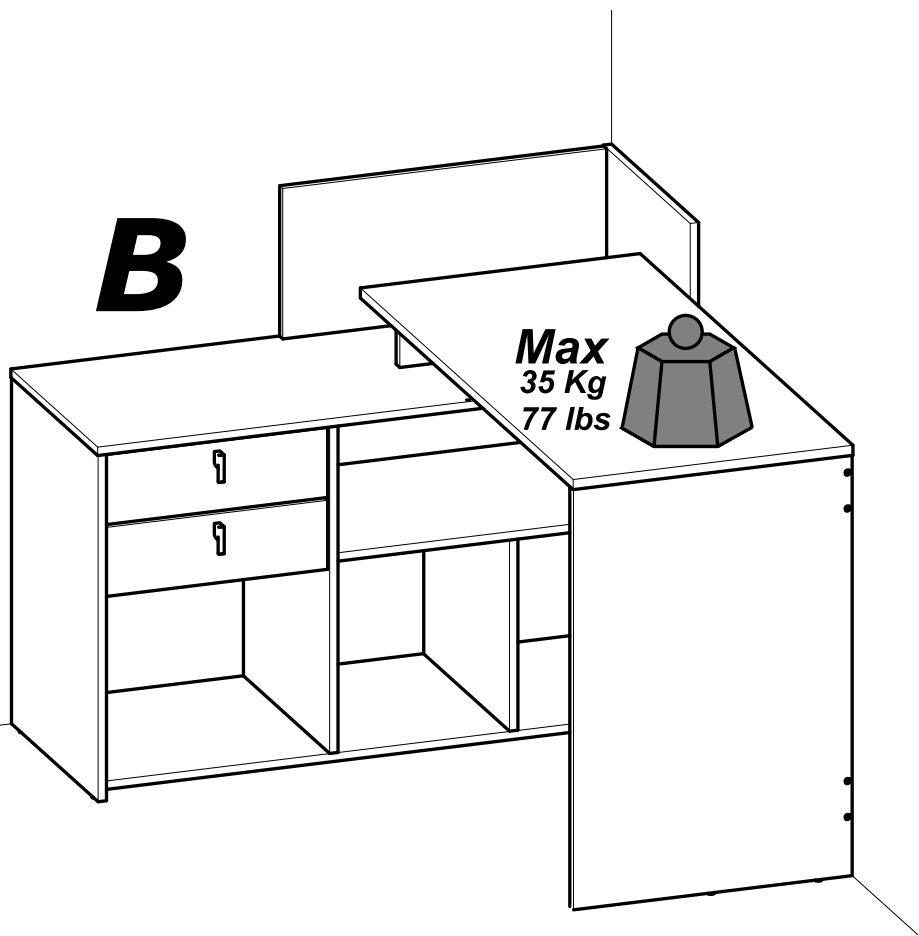


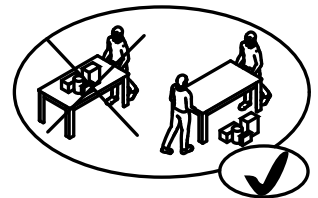
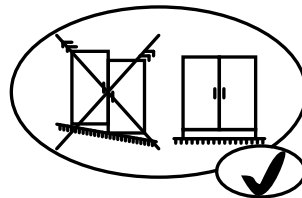
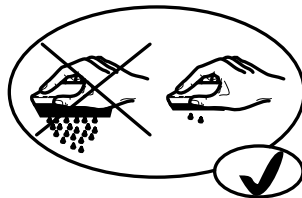
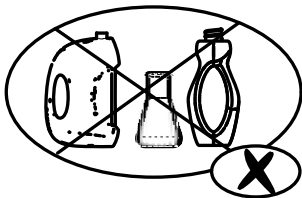
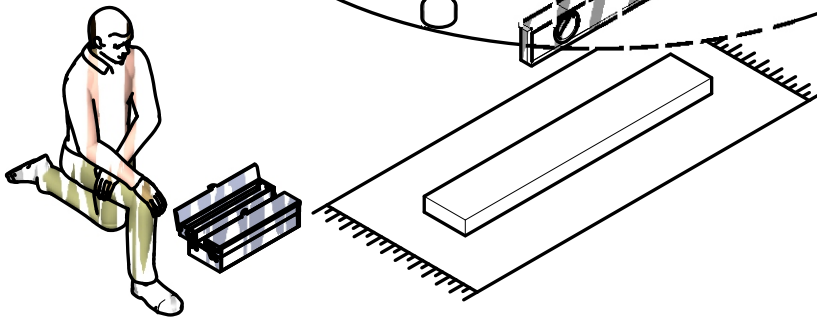
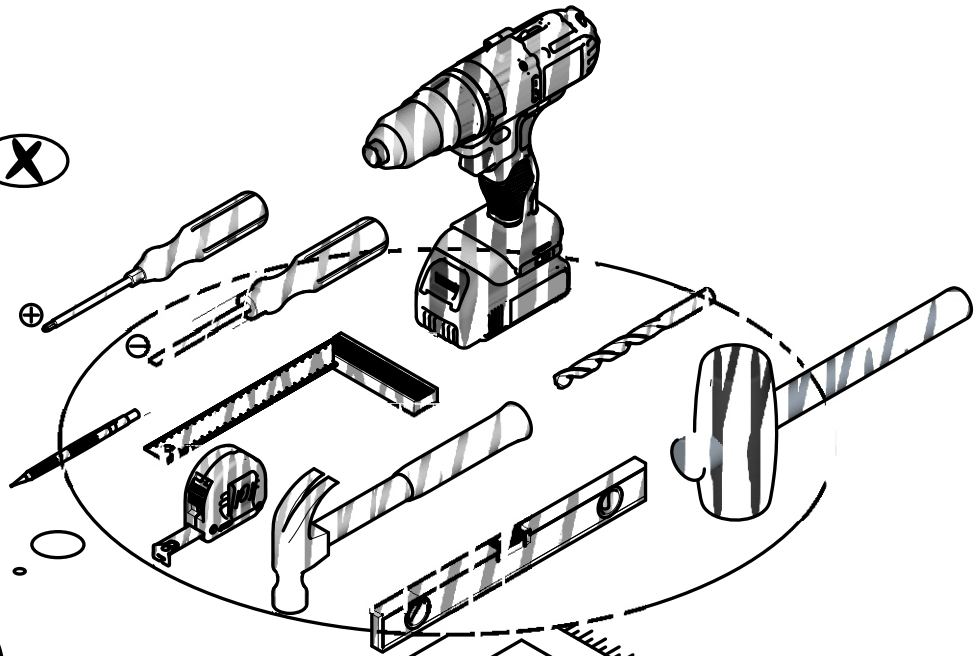
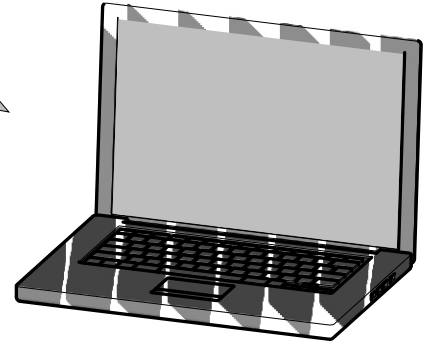
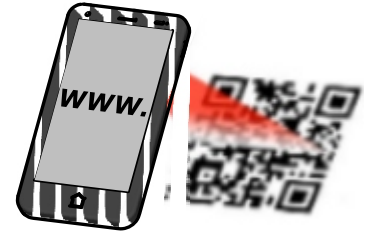
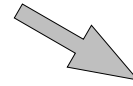
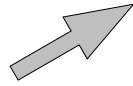
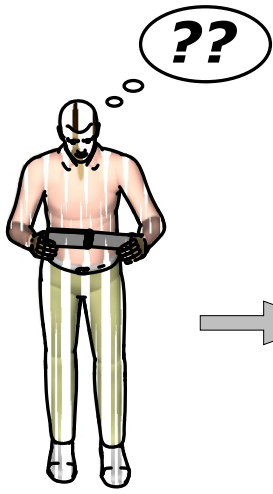
3h00.



x2


B







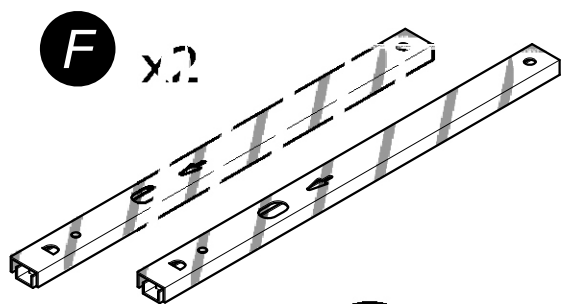
A x14 


B x10  $\varnothing 15\text{mm}$
 $\varnothing 19/32''$

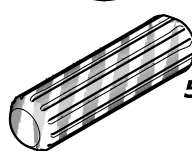
C x2 

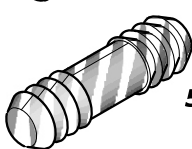
D x3  $\varnothing 5\text{mm}$
 $\varnothing 3/16''$

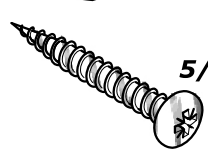
E x1 

F x2 

G x4 

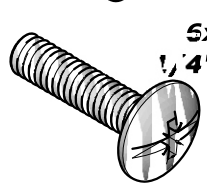
H x10  $8 \times 30\text{mm}$
 $5/16'' \times 1 \ 3/16''$

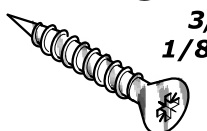
I x3  $8.3 \times 29\text{mm}$
 $5/16'' \times 1 \ 1/8''$

J x4  $4 \times 30\text{mm}$
 $5/32'' \times 1 \ 3/16''$

K x1  $4 \times 13\text{mm}$
 $5/32'' \times 1/2''$

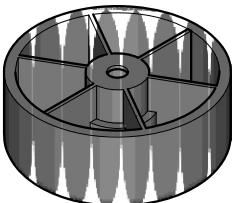
L x8  $6,3 \times 9\text{mm}$
 $1/4'' \times 11/32''$

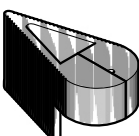
M x4  $5 \times 25\text{mm}$
 $1/4'' \times 31/32''$

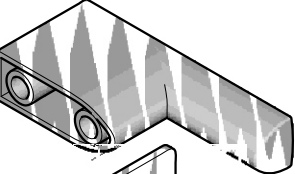
N x1  $3,5 \times 30\text{mm}$
 $1/8'' \times 1 \ 3/16''$

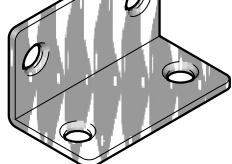
O x4  $6,3 \times 13\text{mm}$
 $1/4'' \times 1/2''$

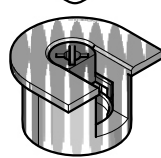
P x4  $4 \times 9\text{mm}$
 $5/32'' \times 11/32''$

Q x1 

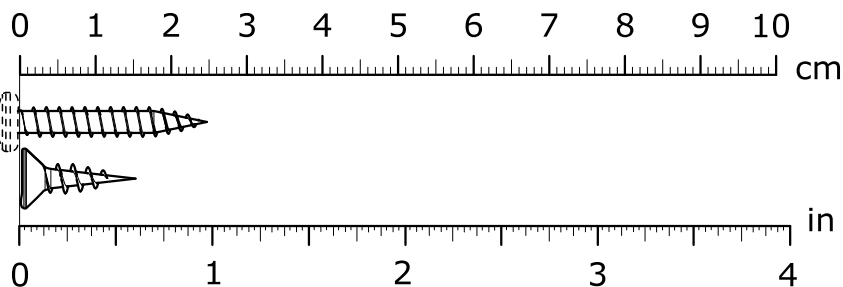
R x1 

S x2 

T x1 

U x2 

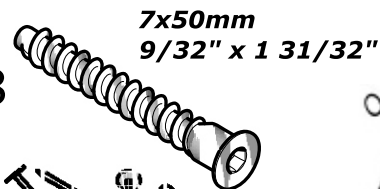
V x4 



W x4



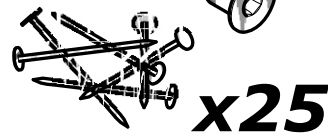
Y x18



X x2

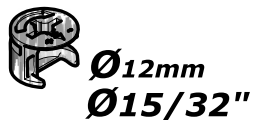


Z x1

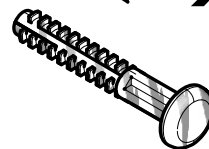


x25

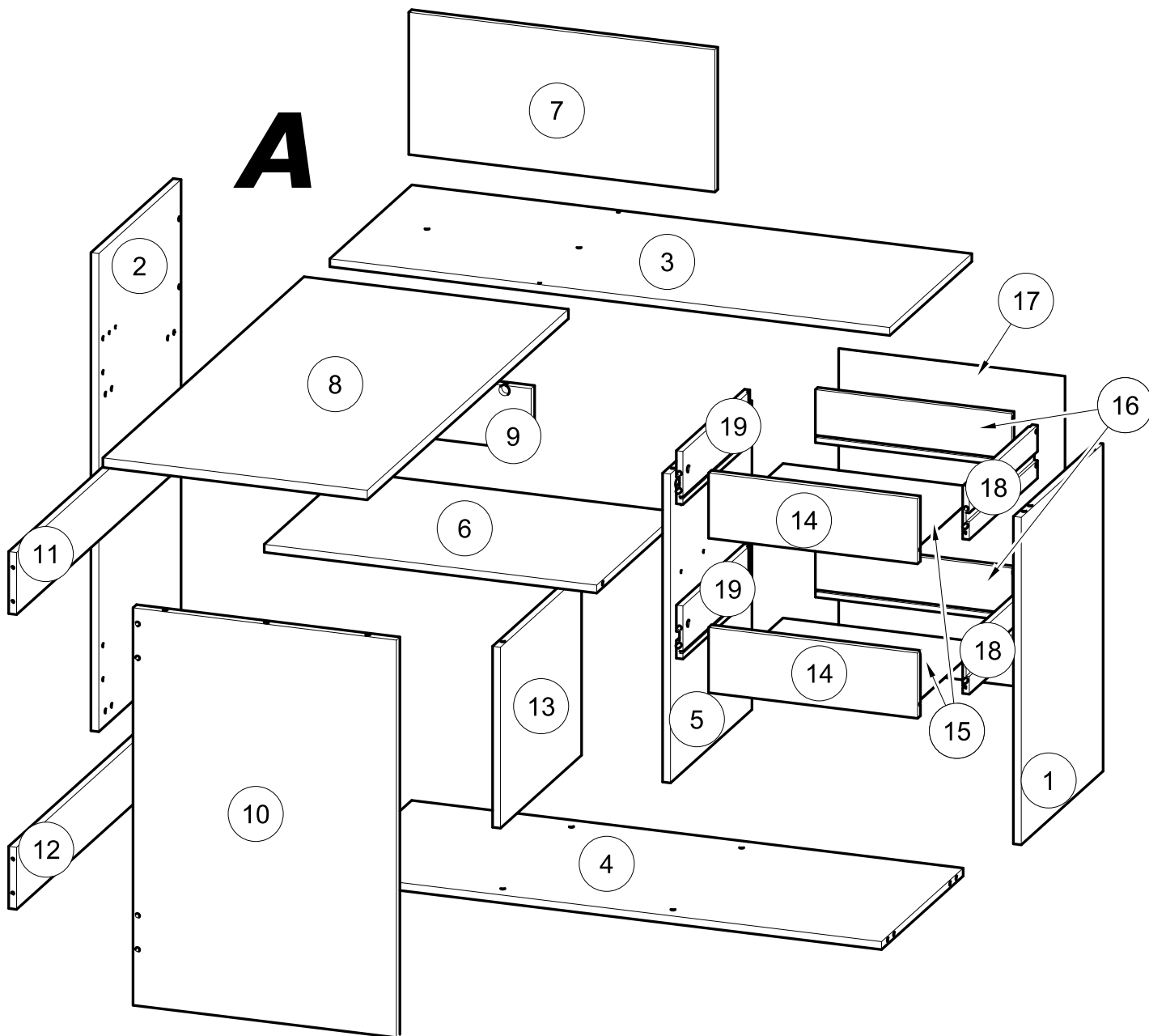
Aa x4



Ab x8



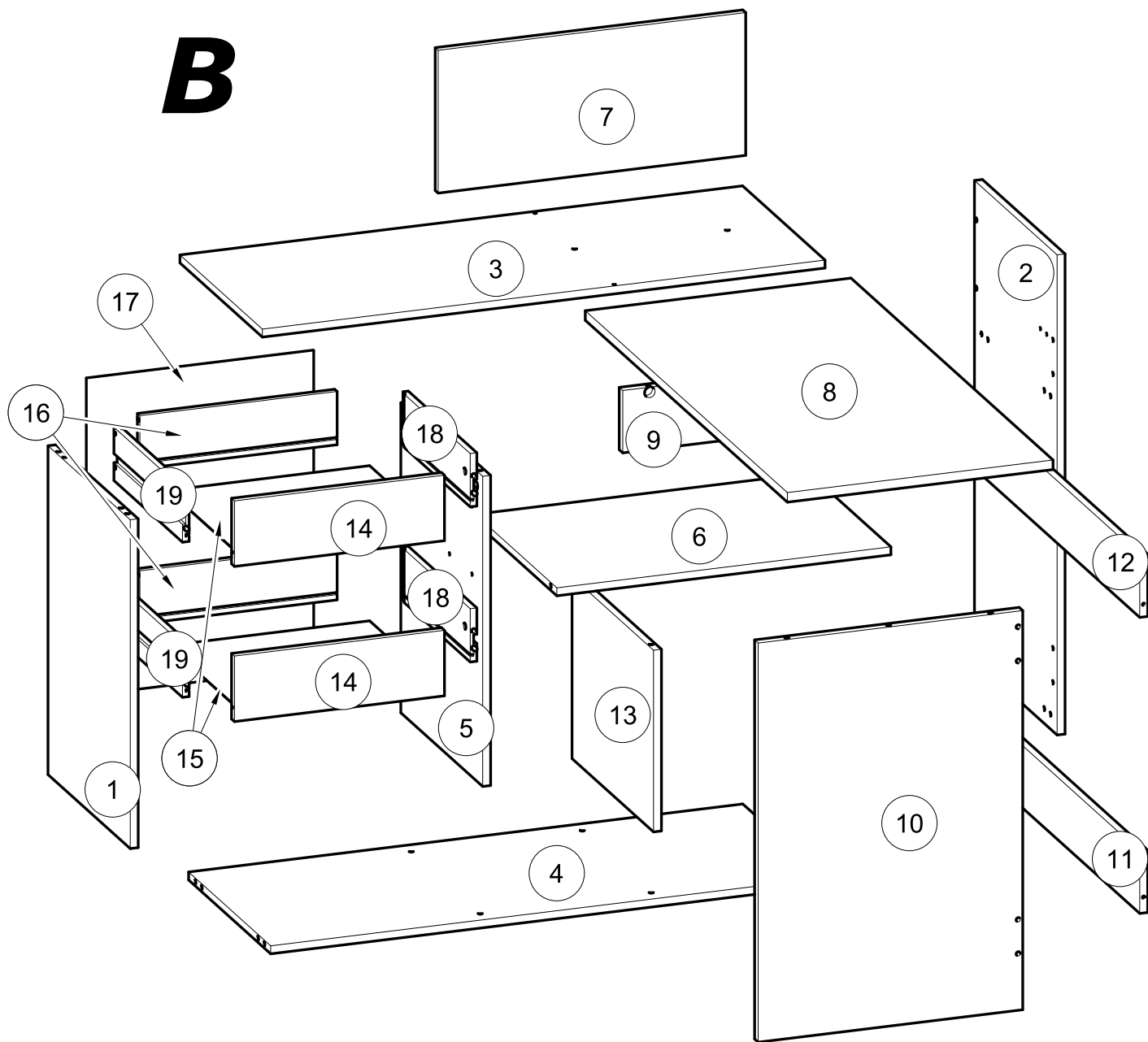
A



| Č | MM | | Rozmer (inch) | | ks |
|----|-------|-------|---------------|------------|----|
| 1 | 617 | x 420 | 24 5/16 | x 16 9/16 | 1 |
| 2 | 901 | x 422 | 35 8/16 | x 16 10/16 | 1 |
| 3 | 1 061 | x 421 | 41 12/16 | x 16 9/16 | 1 |
| 4 | 1 045 | x 419 | 41 2/16 | x 16 8/16 | 1 |
| 5 | 582 | x 418 | 22 15/16 | x 16 7/16 | 1 |
| 6 | 630 | x 417 | 24 13/16 | x 16 7/16 | 1 |
| 7 | 580 | x 268 | 22 13/16 | x 10 9/16 | 1 |
| 8 | 1 032 | x 501 | 40 10/16 | x 19 12/16 | 1 |
| 9 | 117 | x 390 | 4 10/16 | x 15 6/16 | 1 |
| 10 | 749 | x 499 | 29 8/16 | x 19 10/16 | 1 |

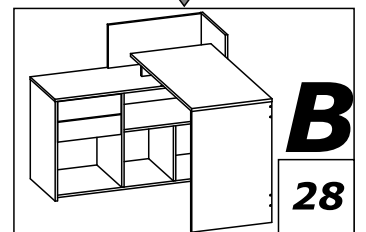
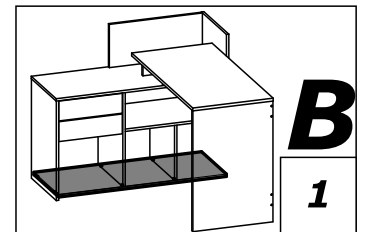
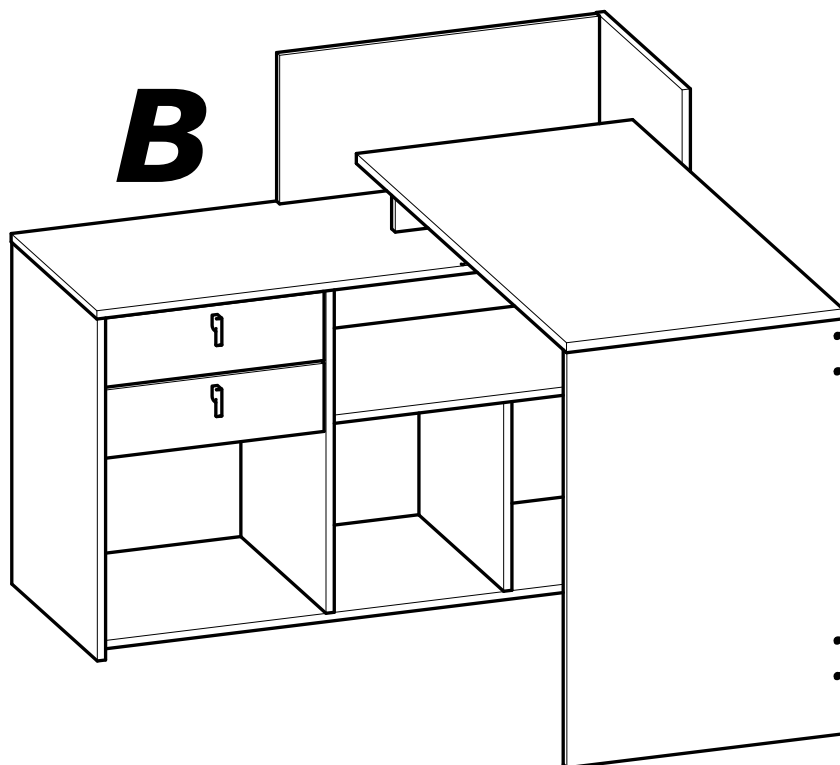
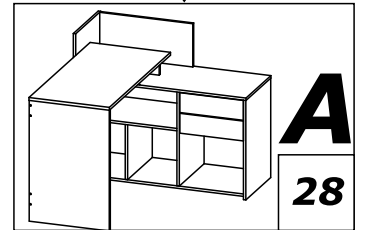
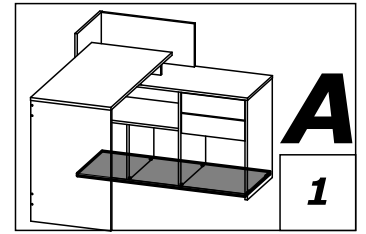
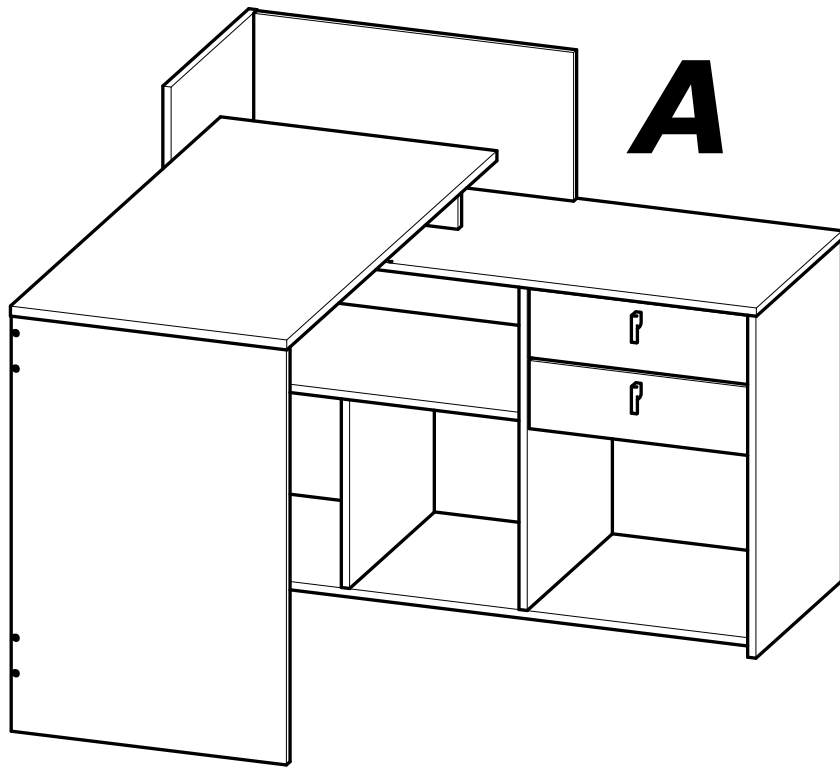
| | MM | | Rozmer (inch) | | ks |
|----|-----|-------|---------------|------------|----|
| 11 | 815 | x 117 | 32 1/16 | x 4 10/16 | 1 |
| 12 | 815 | x 117 | 32 1/16 | x 4 10/16 | 1 |
| 13 | 341 | x 416 | 13 7/16 | x 16 6/16 | 1 |
| 14 | 396 | x 123 | 15 9/16 | x 4 13/16 | 2 |
| 15 | 378 | x 348 | 14 14/16 | x 13 11/16 | 2 |
| 16 | 372 | x 100 | 14 10/16 | x 3 15/16 | 2 |
| 17 | 595 | x 424 | 23 7/16 | x 16 11/16 | 1 |
| 18 | 350 | x 100 | 13 12/16 | x 3 15/16 | 2 |
| 19 | 350 | x 100 | 13 12/16 | x 3 15/16 | 2 |

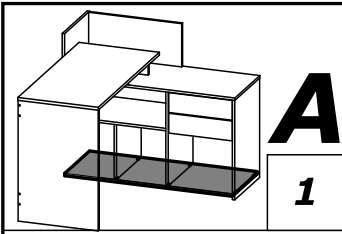
B



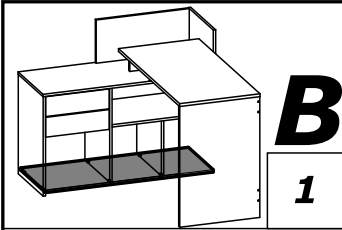
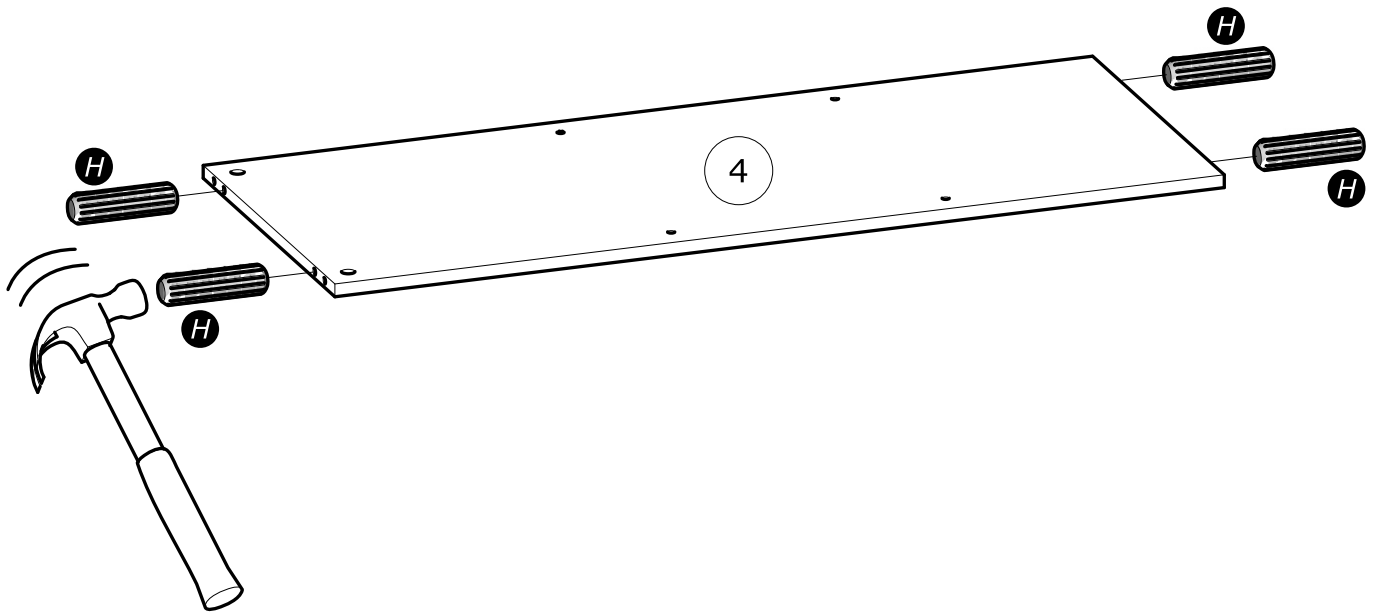
| Č. | MM | | | Rozmer (inch) | | | | ks |
|----|-------|---|-----|---------------|-------|---|----------|----|
| 1 | 617 | x | 420 | 24 | 5/16 | x | 16 9/16 | 1 |
| 2 | 901 | x | 422 | 35 | 8/16 | x | 16 10/16 | 1 |
| 3 | 1 061 | x | 421 | 41 | 12/16 | x | 16 9/16 | 1 |
| 4 | 1 045 | x | 419 | 41 | 2/16 | x | 16 8/16 | 1 |
| 5 | 582 | x | 418 | 22 | 15/16 | x | 16 7/16 | 1 |
| 6 | 630 | x | 417 | 24 | 13/16 | x | 16 7/16 | 1 |
| 7 | 580 | x | 268 | 22 | 13/16 | x | 10 9/16 | 1 |
| 8 | 1 032 | x | 501 | 40 | 10/16 | x | 19 12/16 | 1 |
| 9 | 117 | x | 390 | 4 | 10/16 | x | 15 6/16 | 1 |
| 10 | 749 | x | 499 | 29 | 8/16 | x | 19 10/16 | 1 |

| | MM | | | Rozmer (inch) | | | | ks |
|----|-----|---|-----|---------------|-------|---|----------|----|
| 11 | 815 | x | 117 | 32 | 1/16 | x | 4 10/16 | 1 |
| 12 | 815 | x | 117 | 32 | 1/16 | x | 4 10/16 | 1 |
| 13 | 341 | x | 416 | 13 | 7/16 | x | 16 6/16 | 1 |
| 14 | 396 | x | 123 | 15 | 9/16 | x | 4 13/16 | 2 |
| 15 | 378 | x | 348 | 14 | 14/16 | x | 13 11/16 | 2 |
| 16 | 372 | x | 100 | 14 | 10/16 | x | 3 15/16 | 2 |
| 17 | 595 | x | 424 | 23 | 7/16 | x | 16 11/16 | 1 |
| 18 | 350 | x | 100 | 13 | 12/16 | x | 3 15/16 | 2 |
| 19 | 350 | x | 100 | 13 | 12/16 | x | 3 15/16 | 2 |

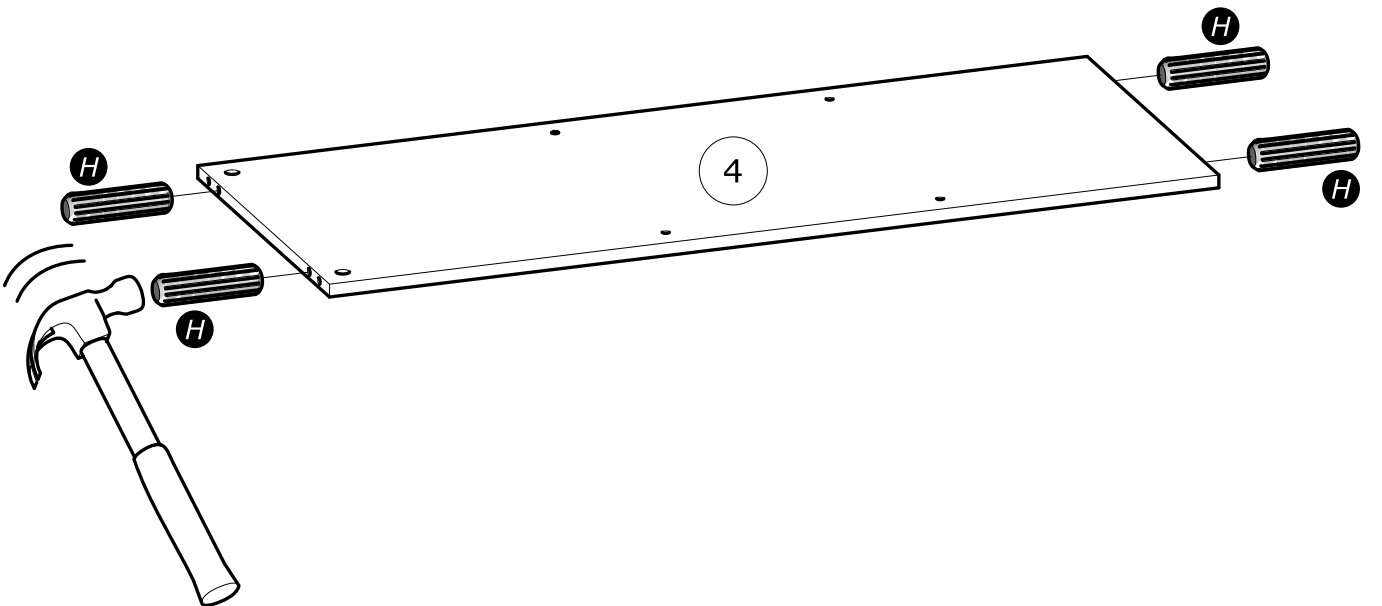


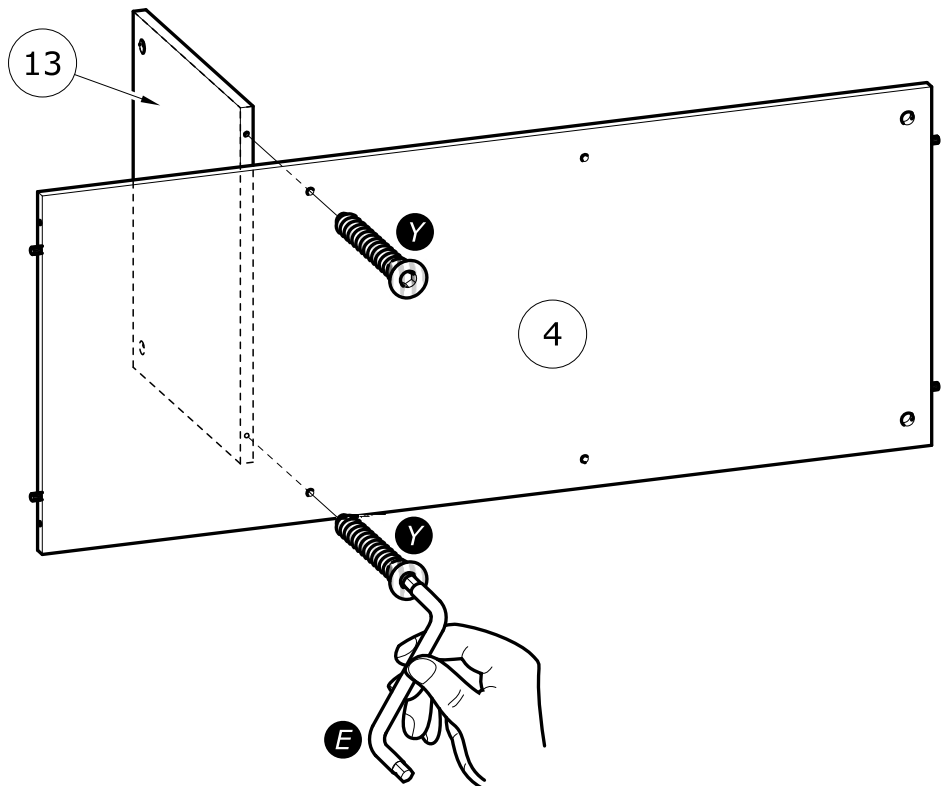
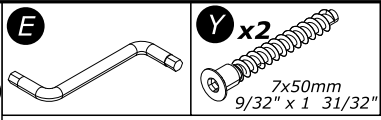
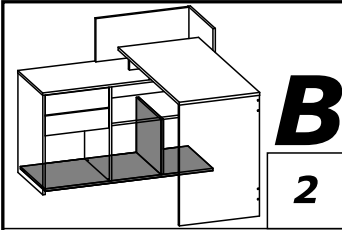
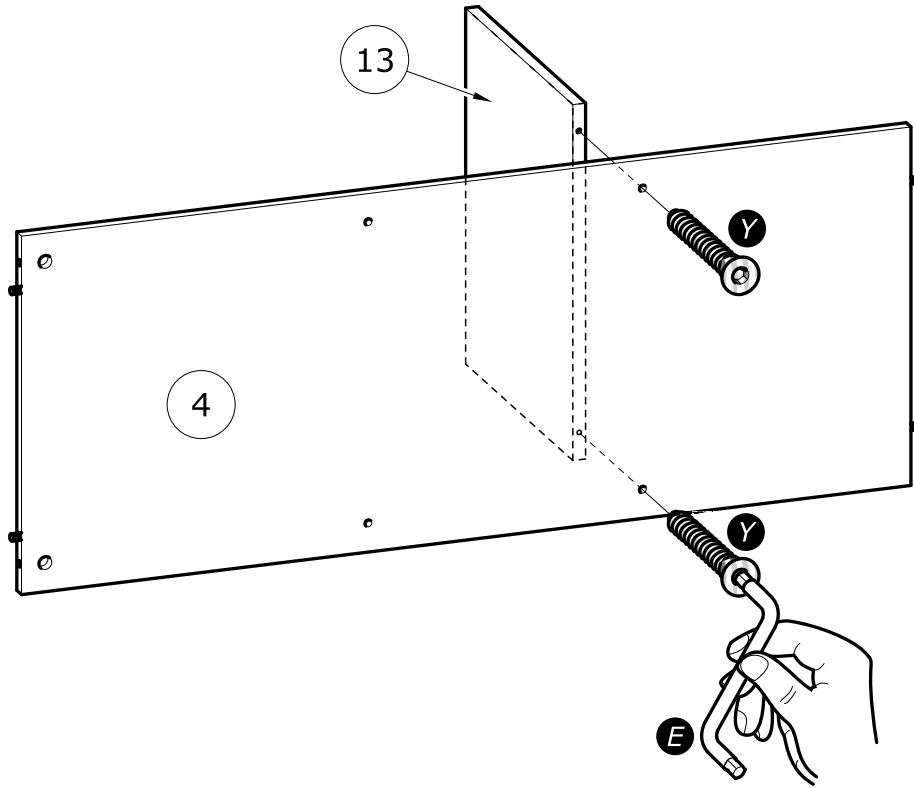
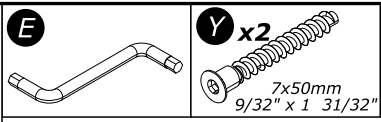
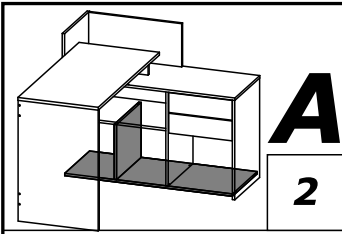


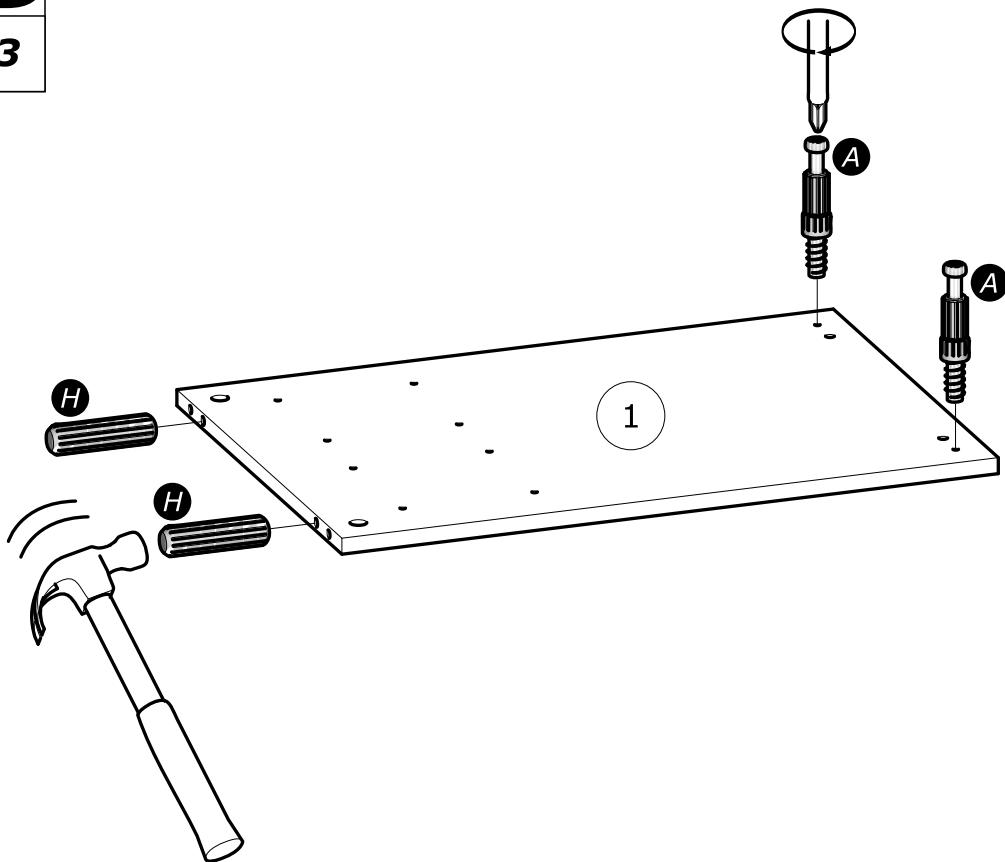
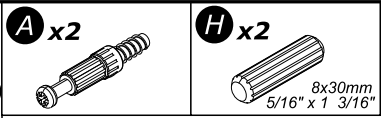
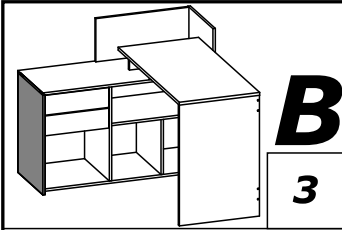
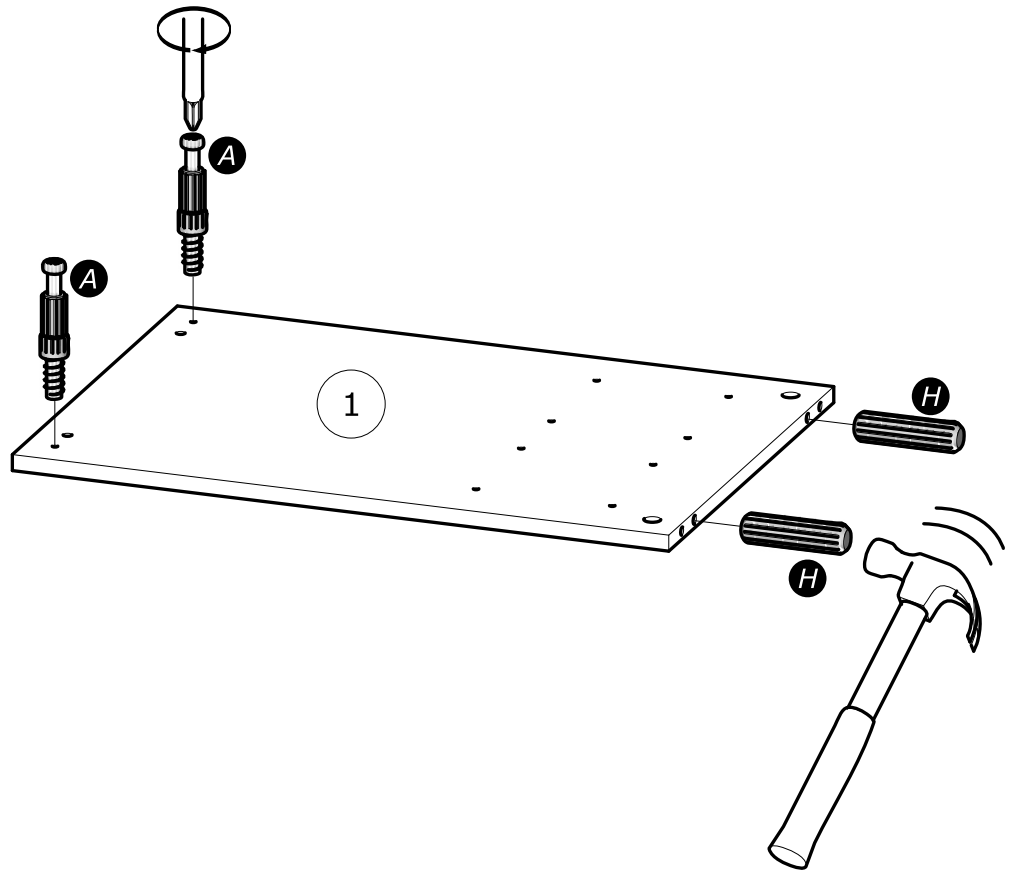
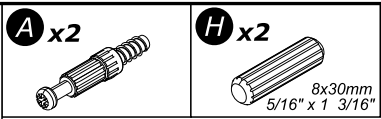
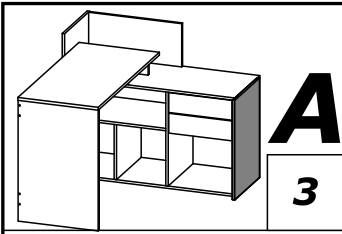
H x4
8x30mm
5/16" x 1 3/16"

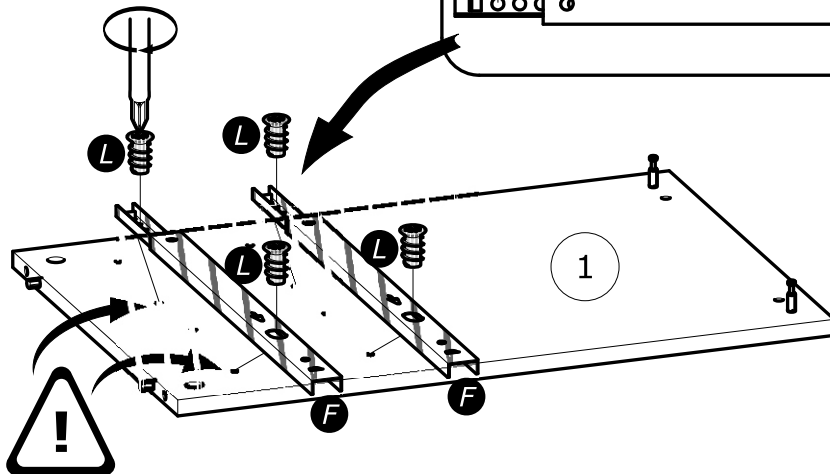
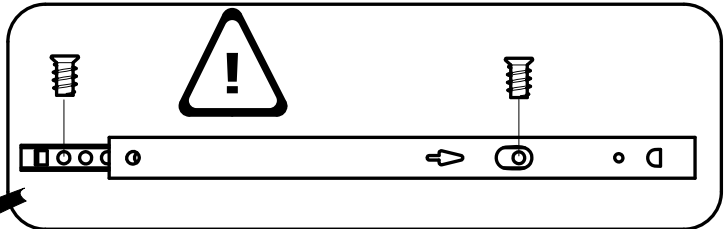
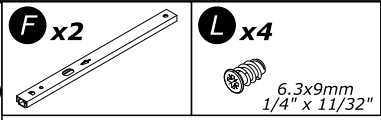
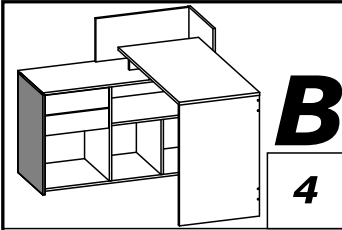
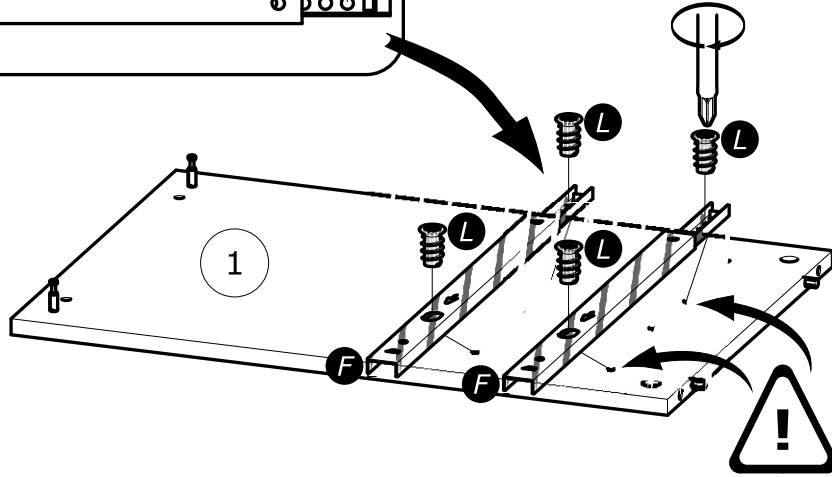
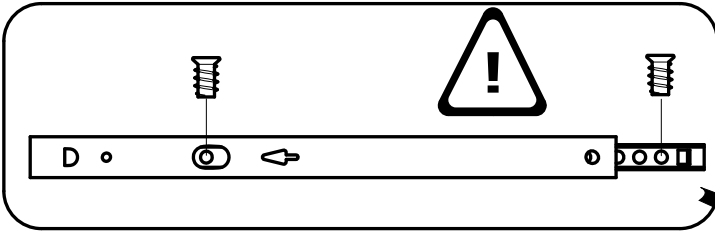
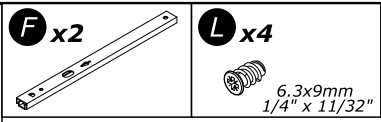
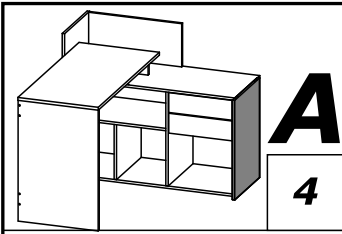


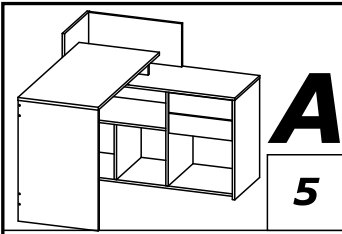
H x4
8x30mm
5/16" x 1 3/16"



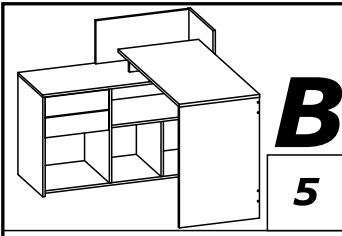
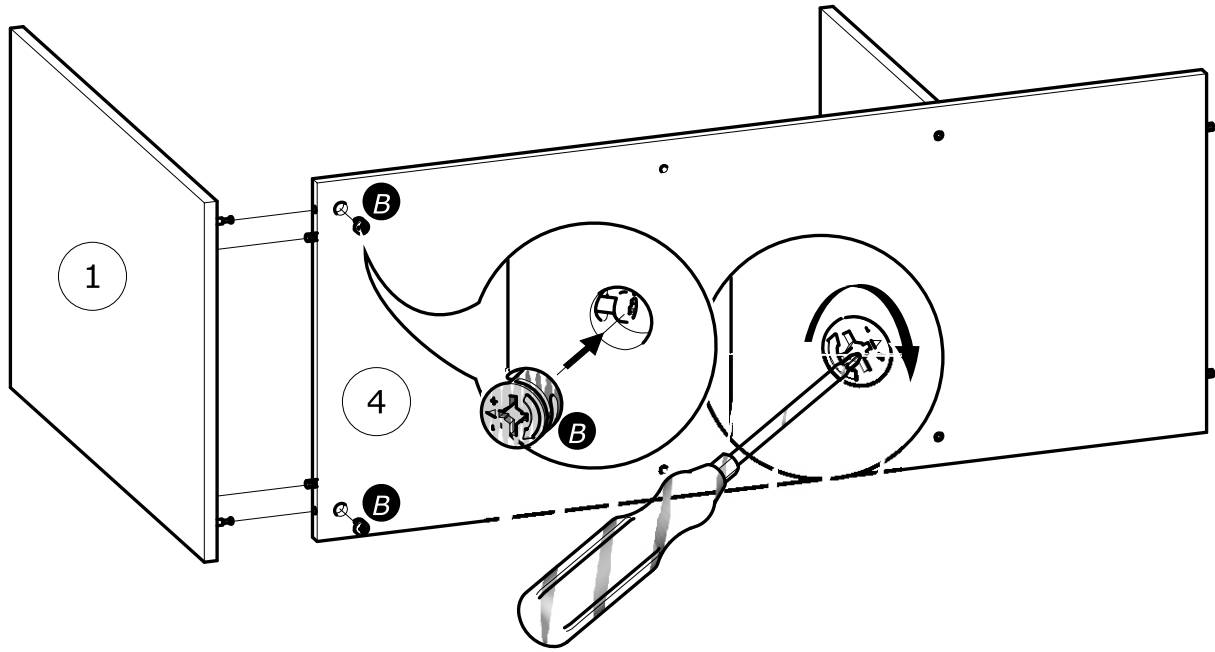




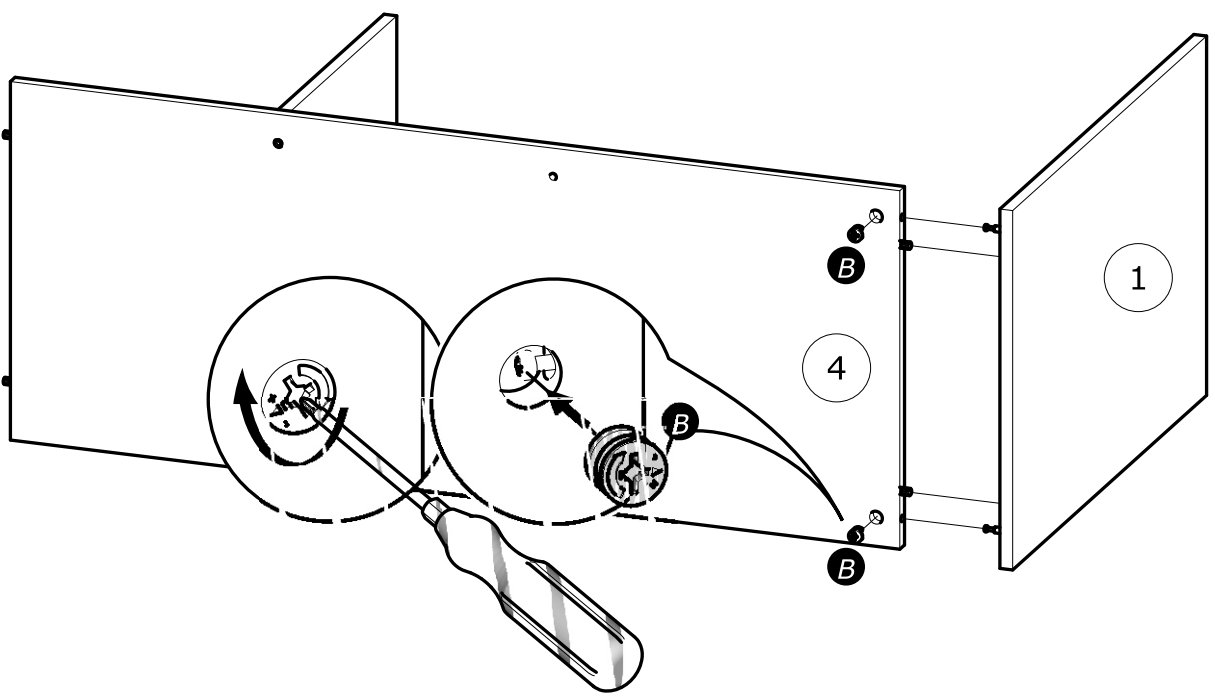


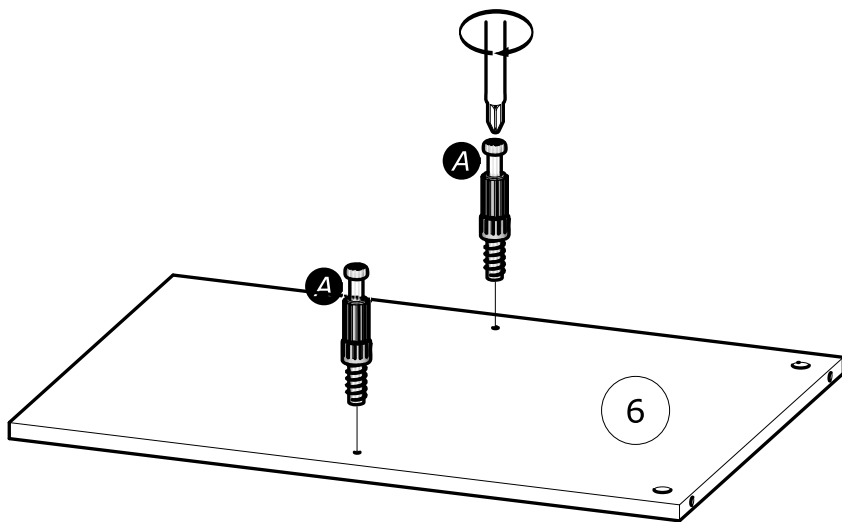
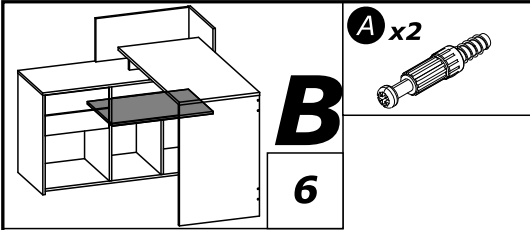
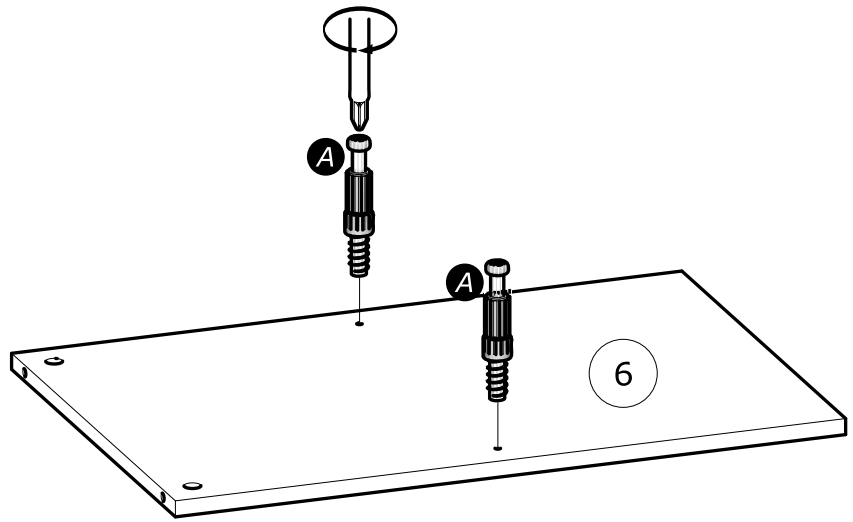
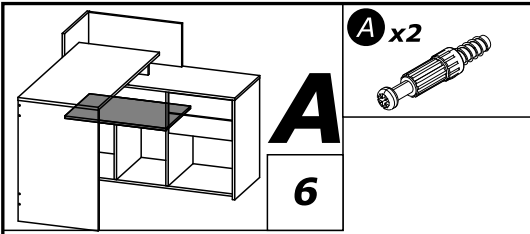


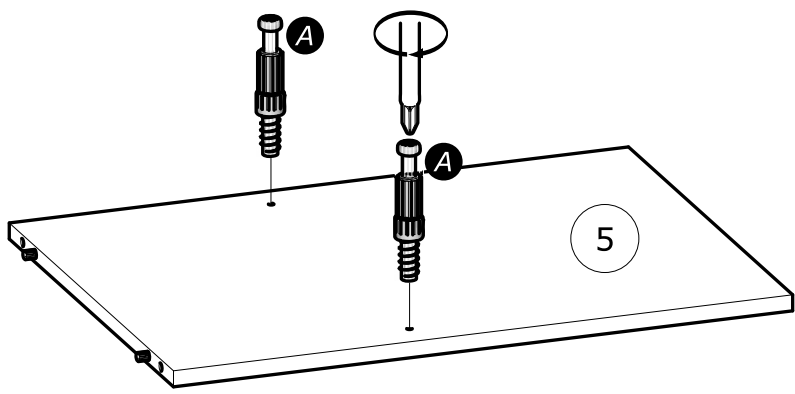
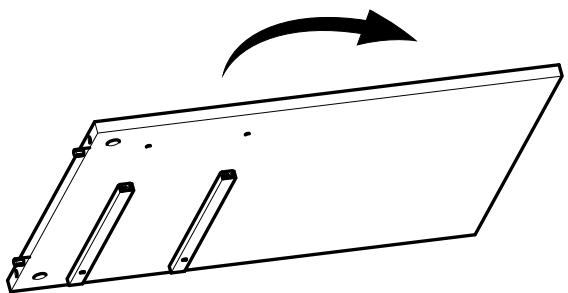
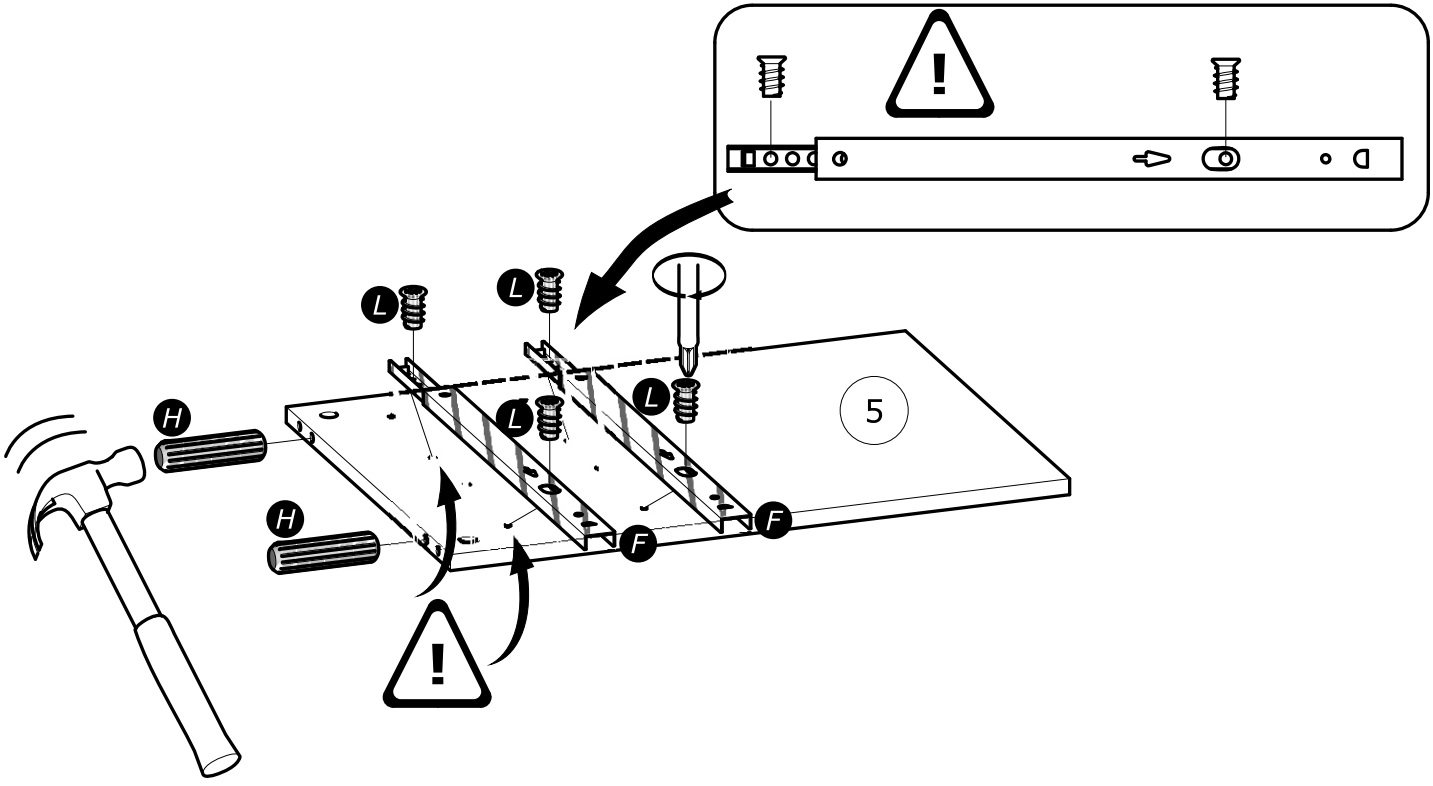
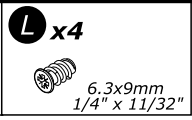
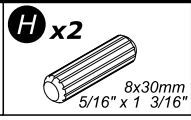
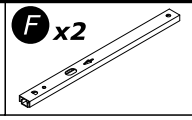
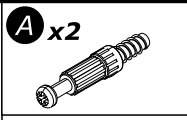
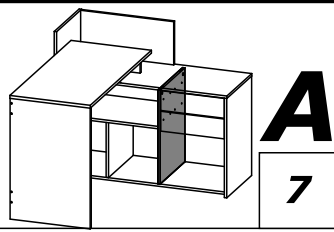
B x2
Ø15mm
Ø19/32"

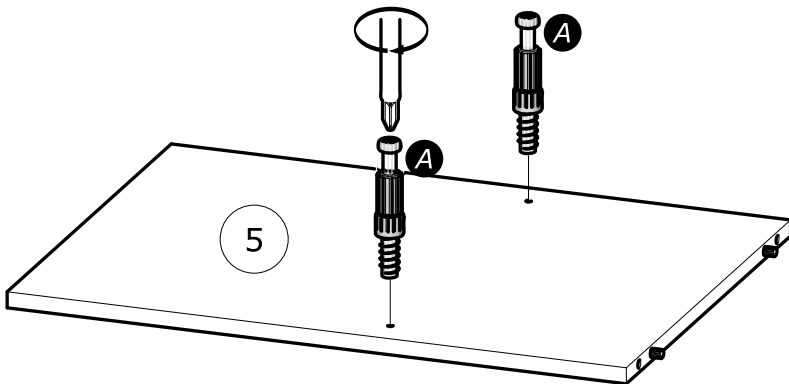
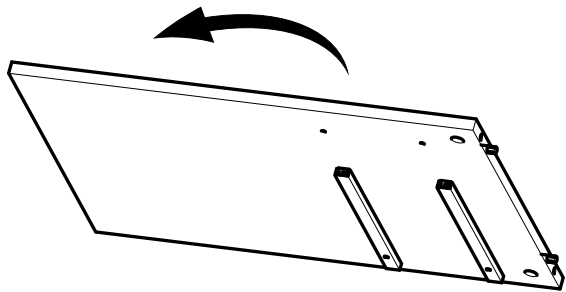
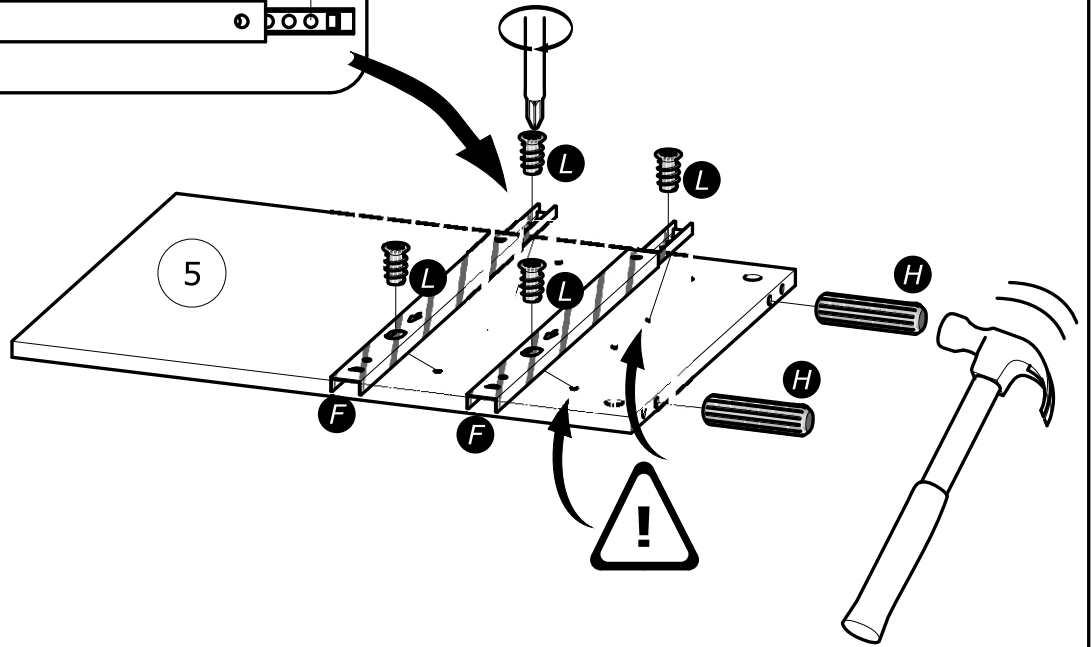
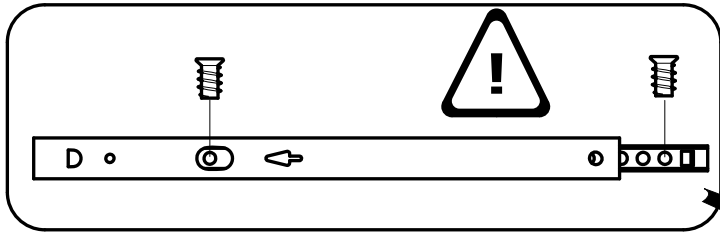
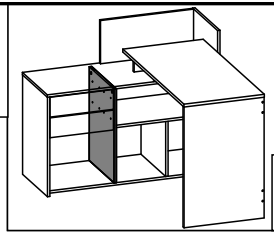
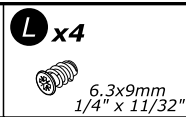
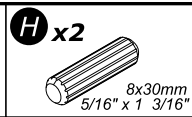
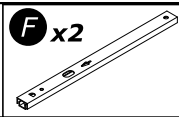
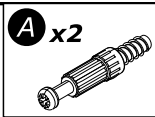


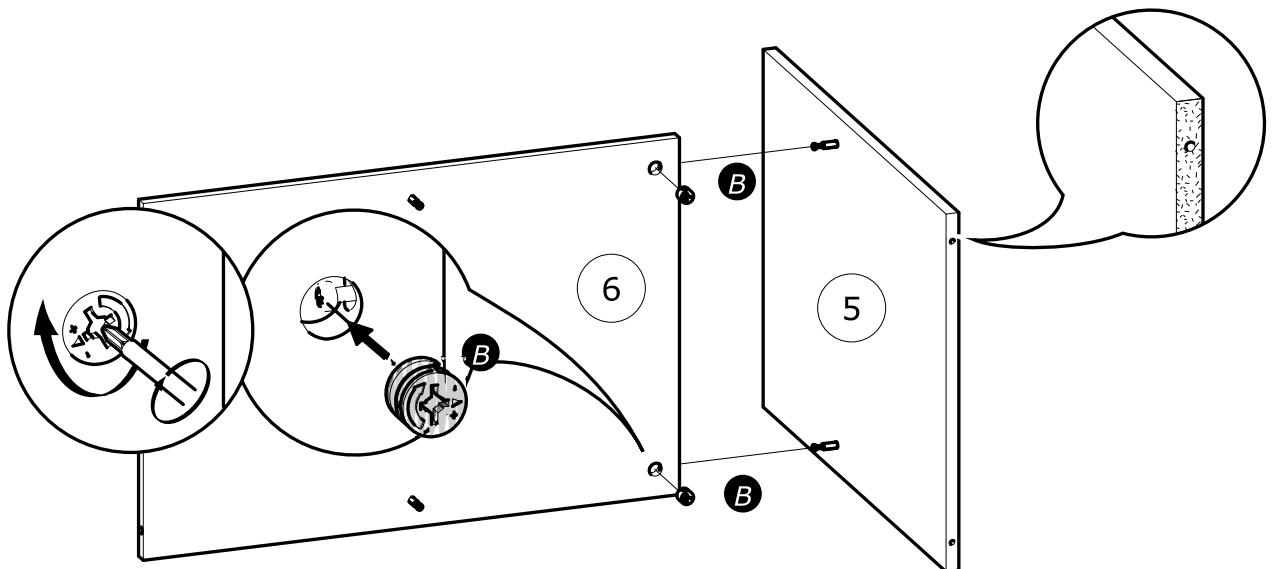
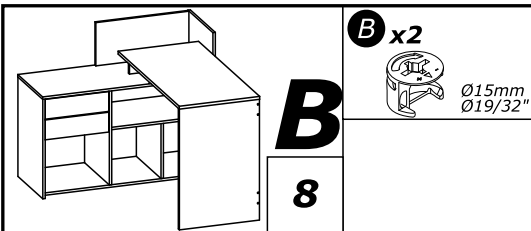
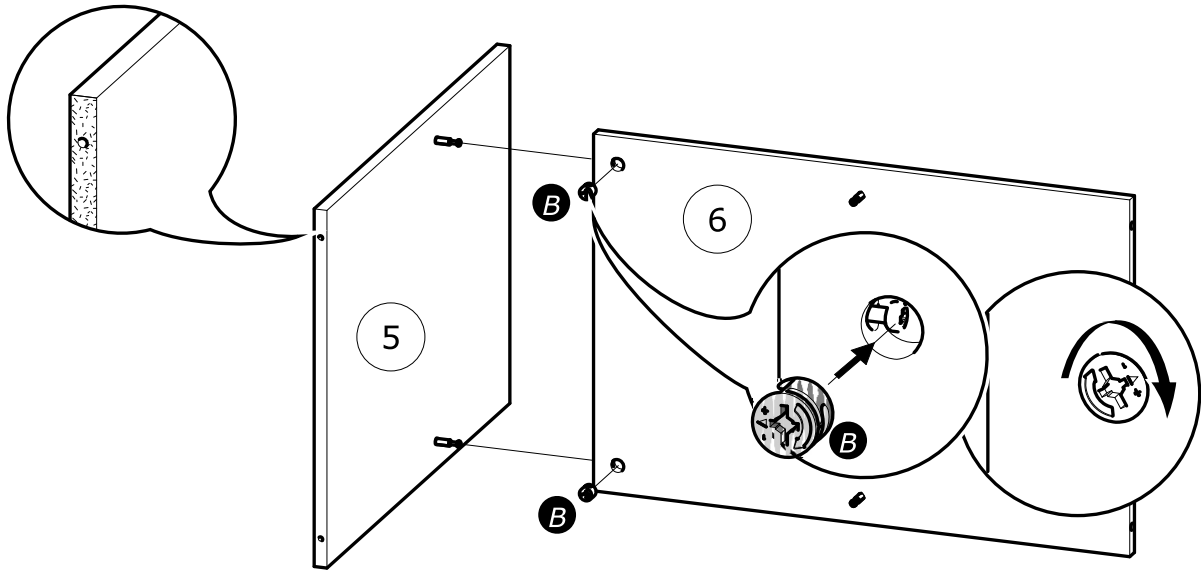
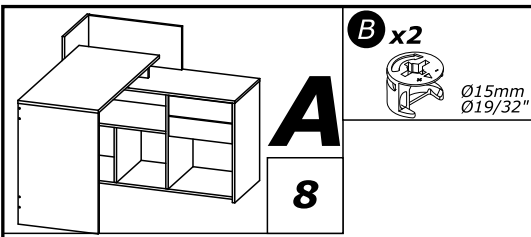
B x2
Ø15mm
Ø19/32"

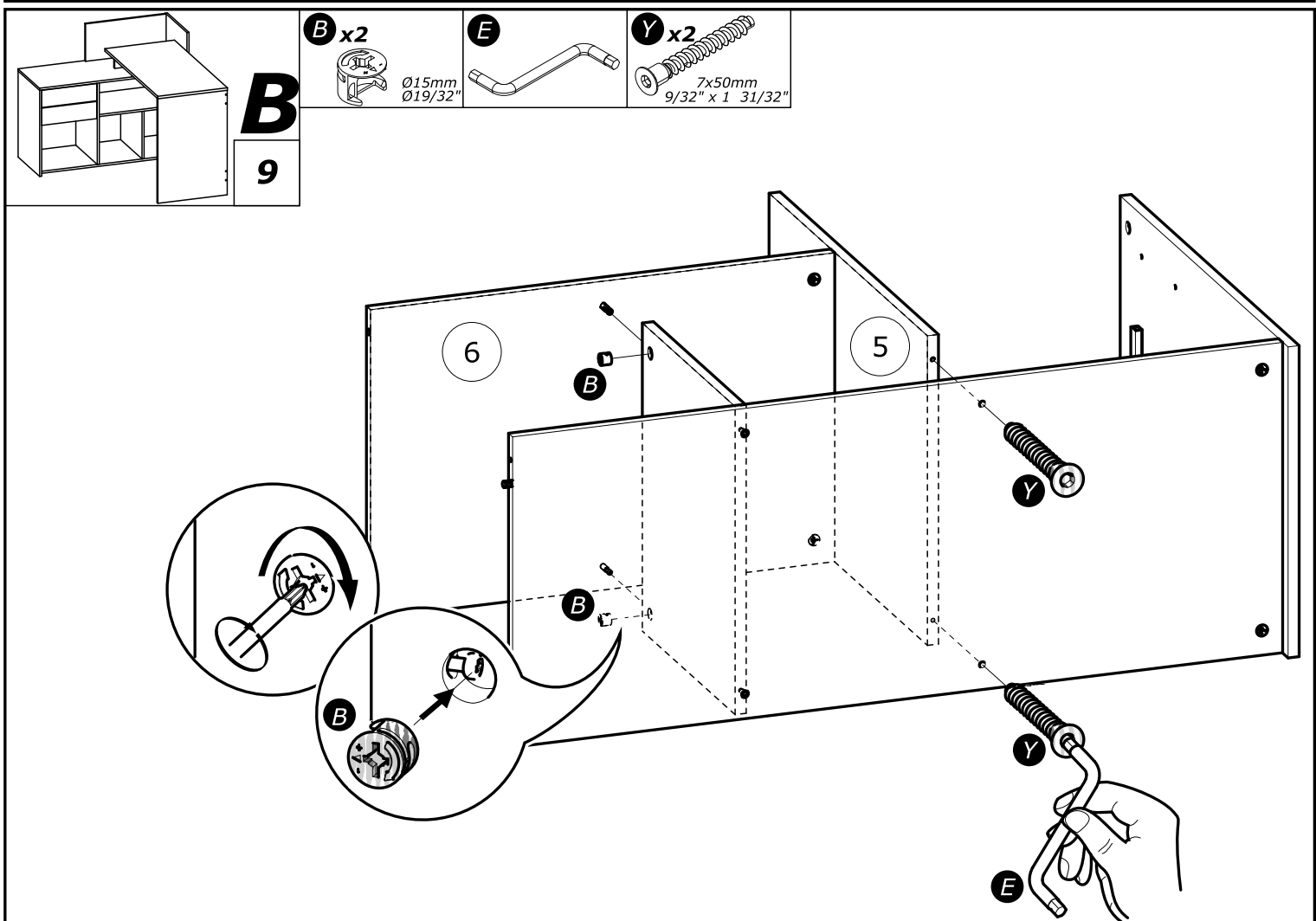
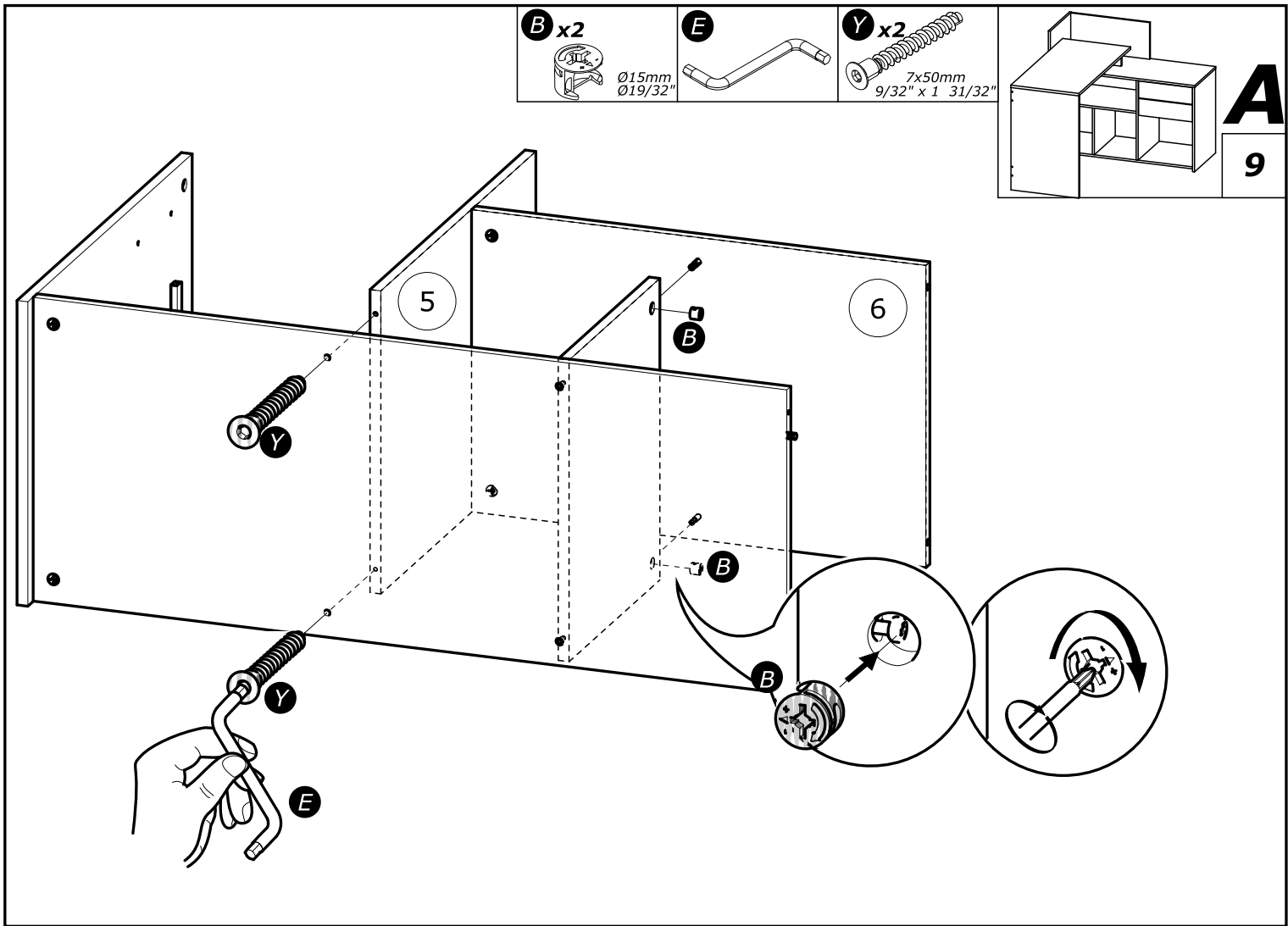


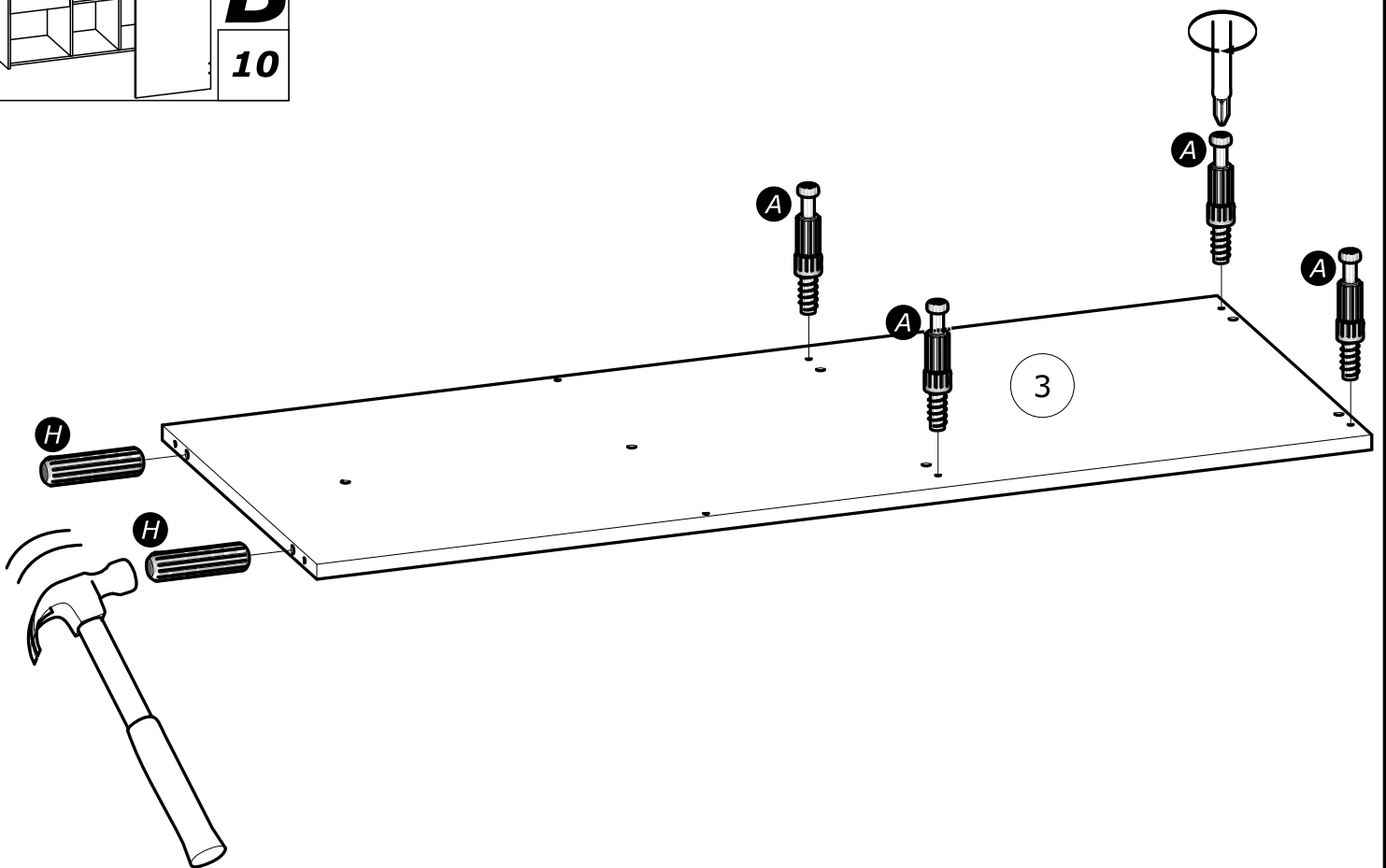
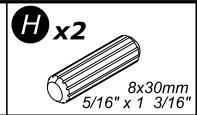
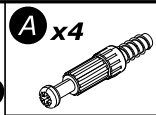
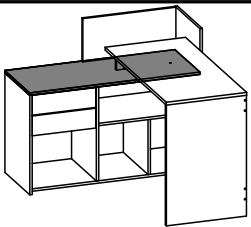
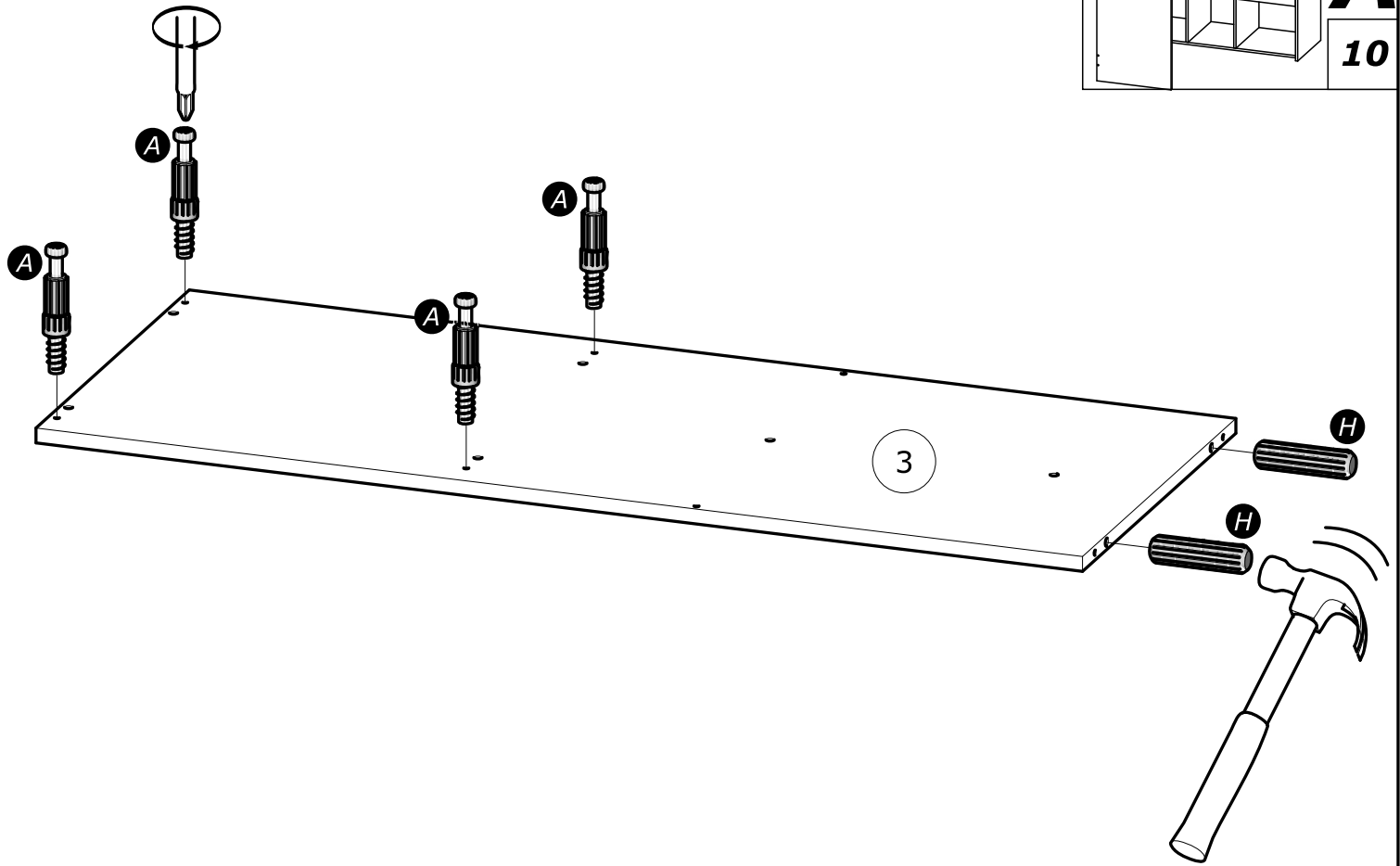
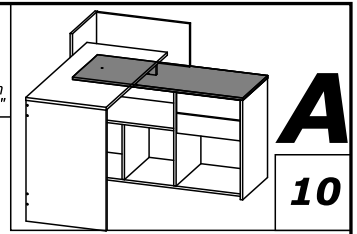
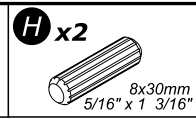
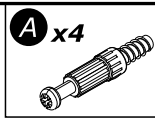




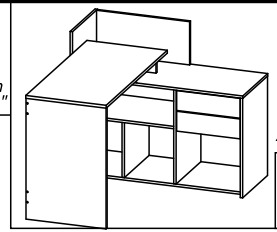




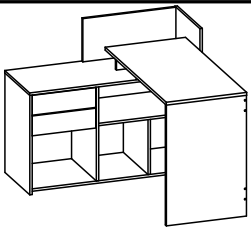
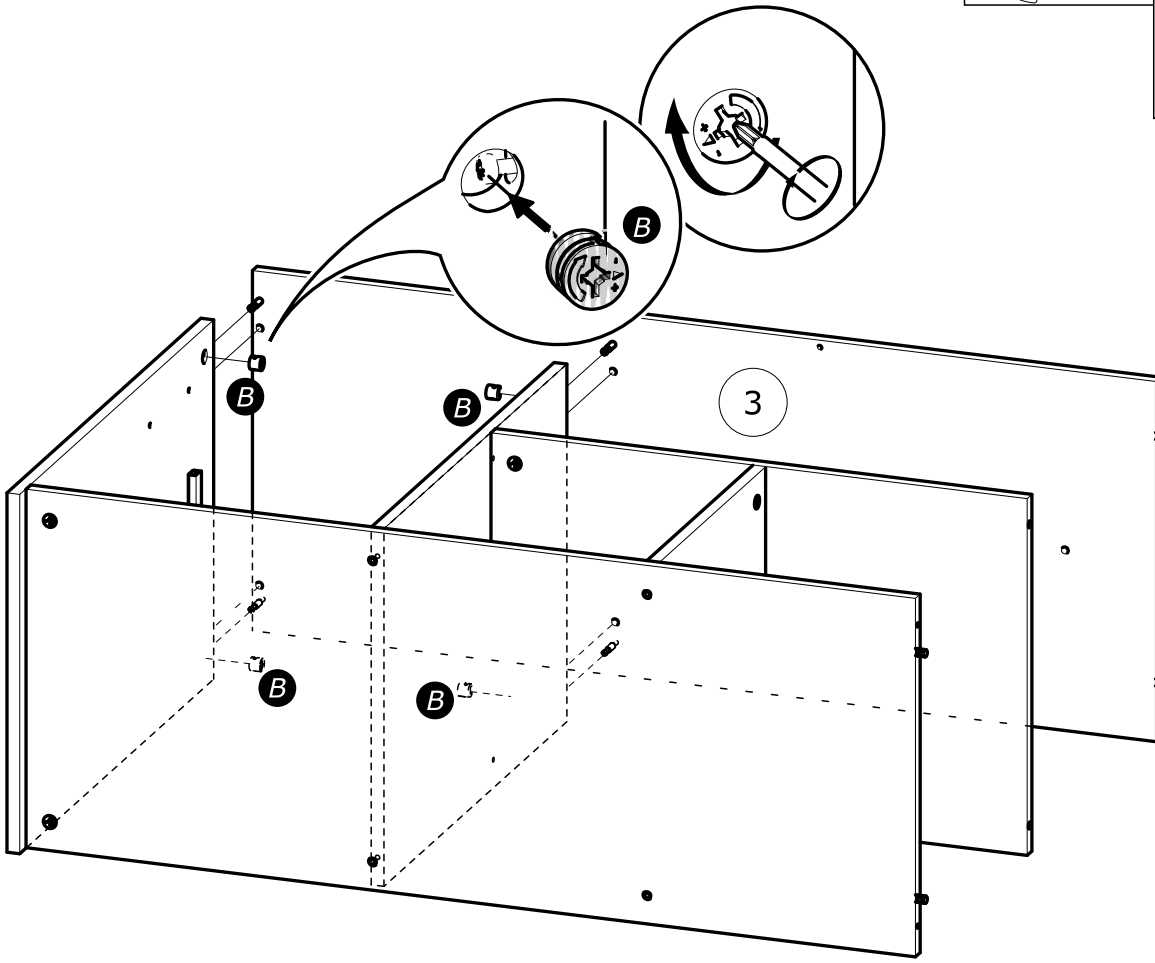




B x4
Ø15mm
Ø19/32"

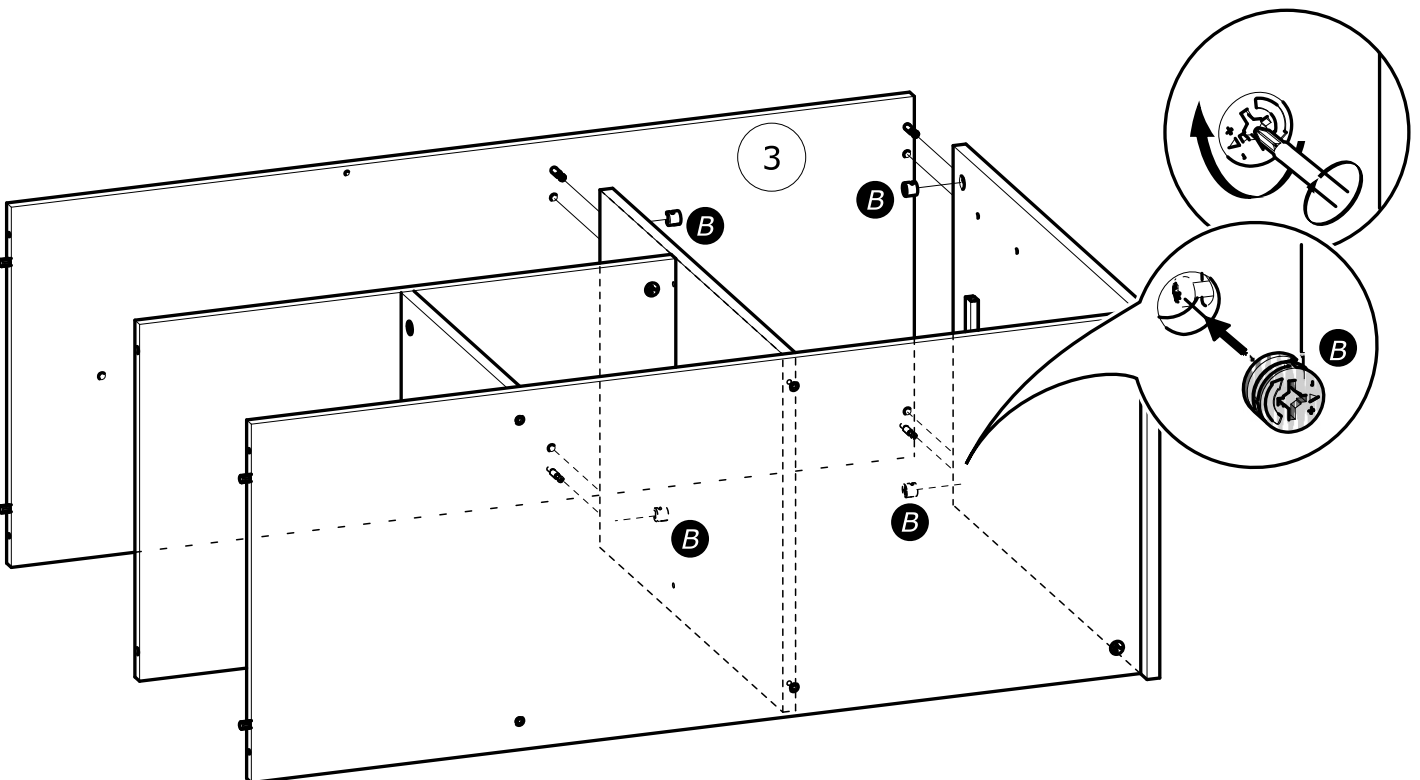


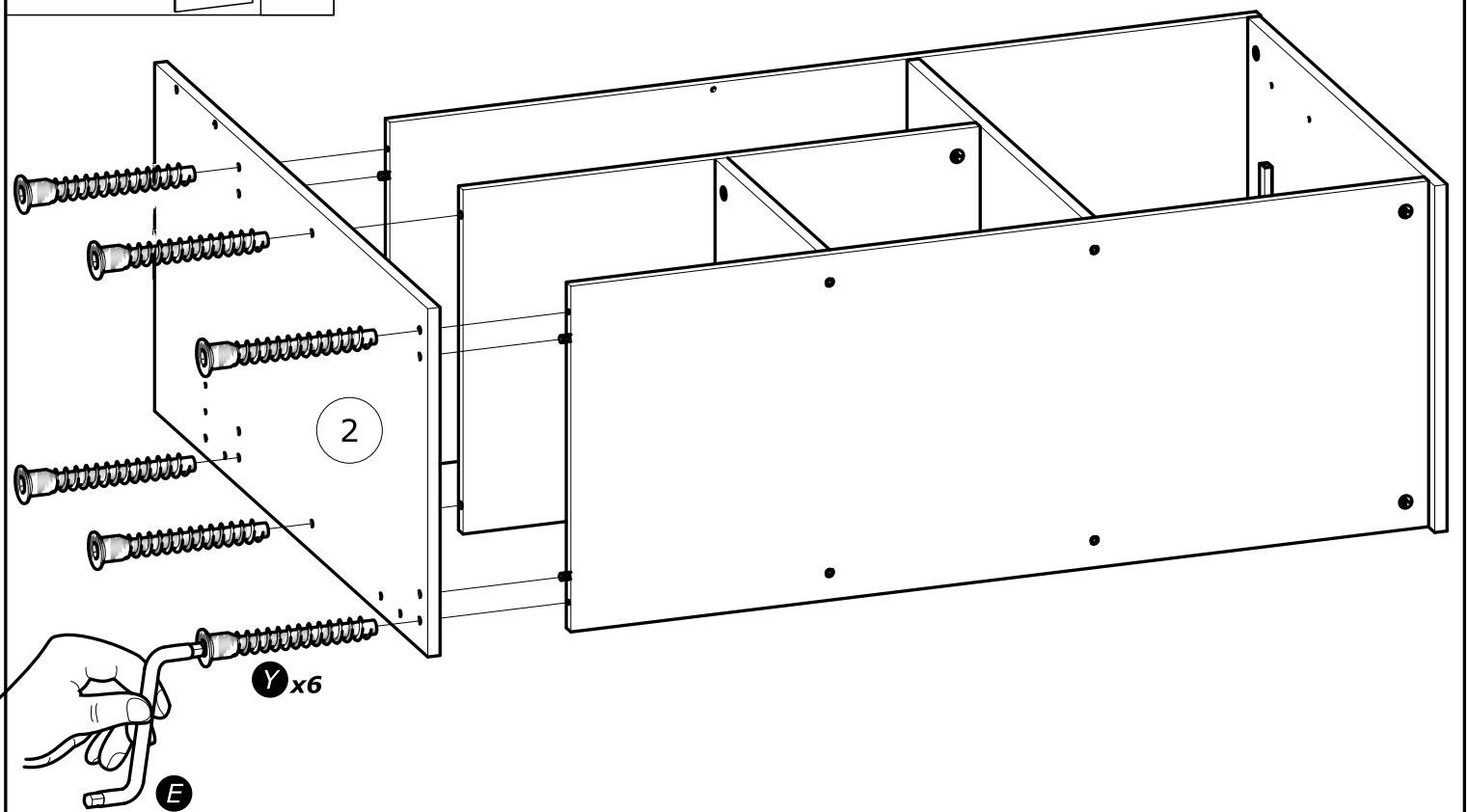
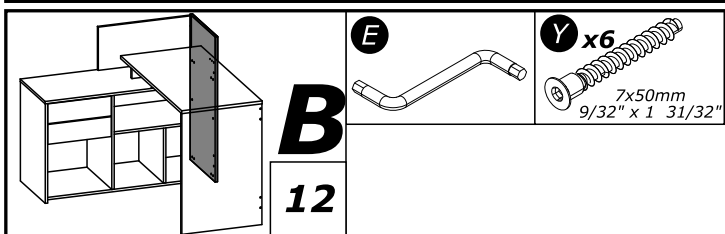
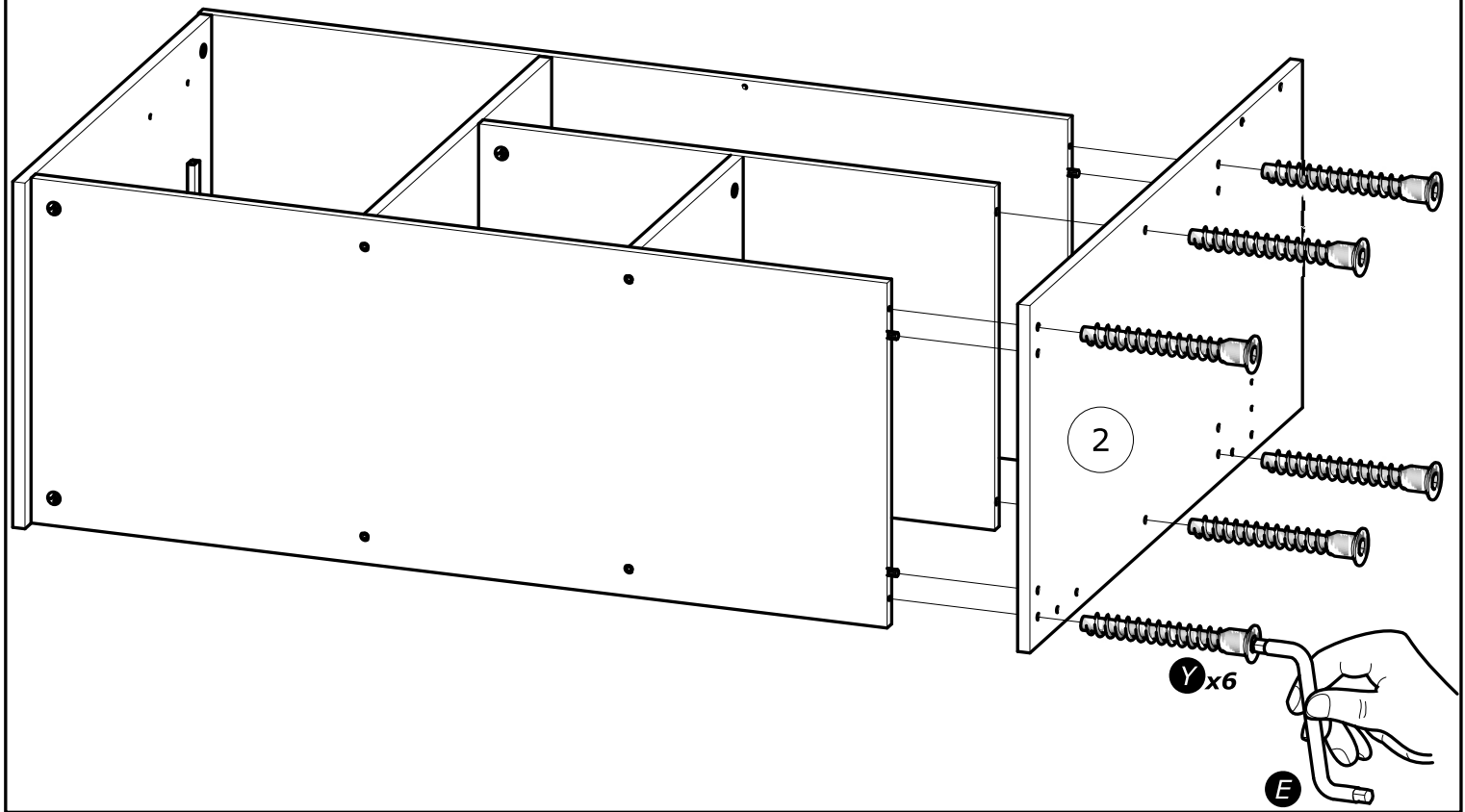
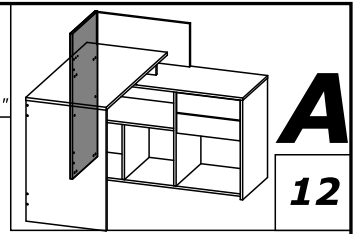
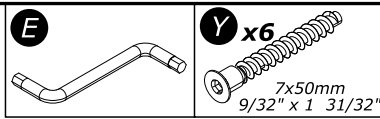
A
11

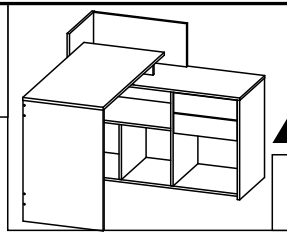
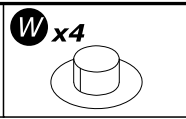
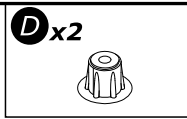


B
11

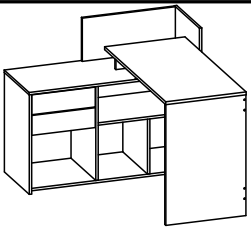
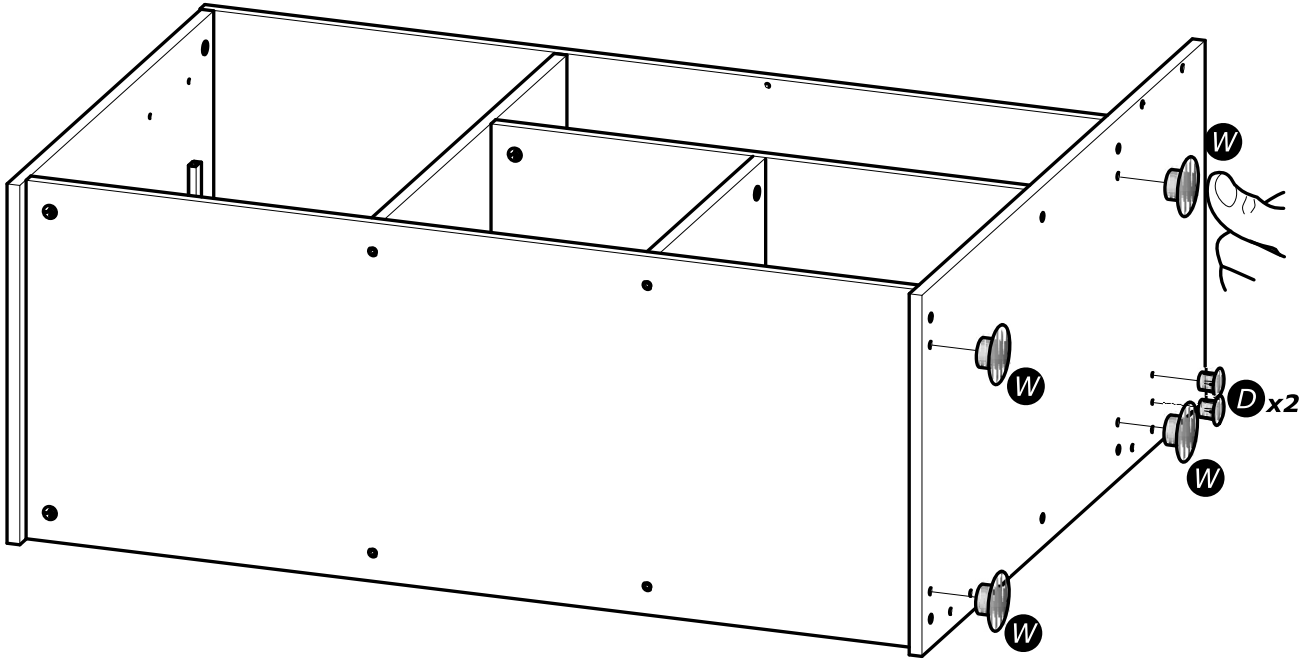
B x4
Ø15mm
Ø19/32"



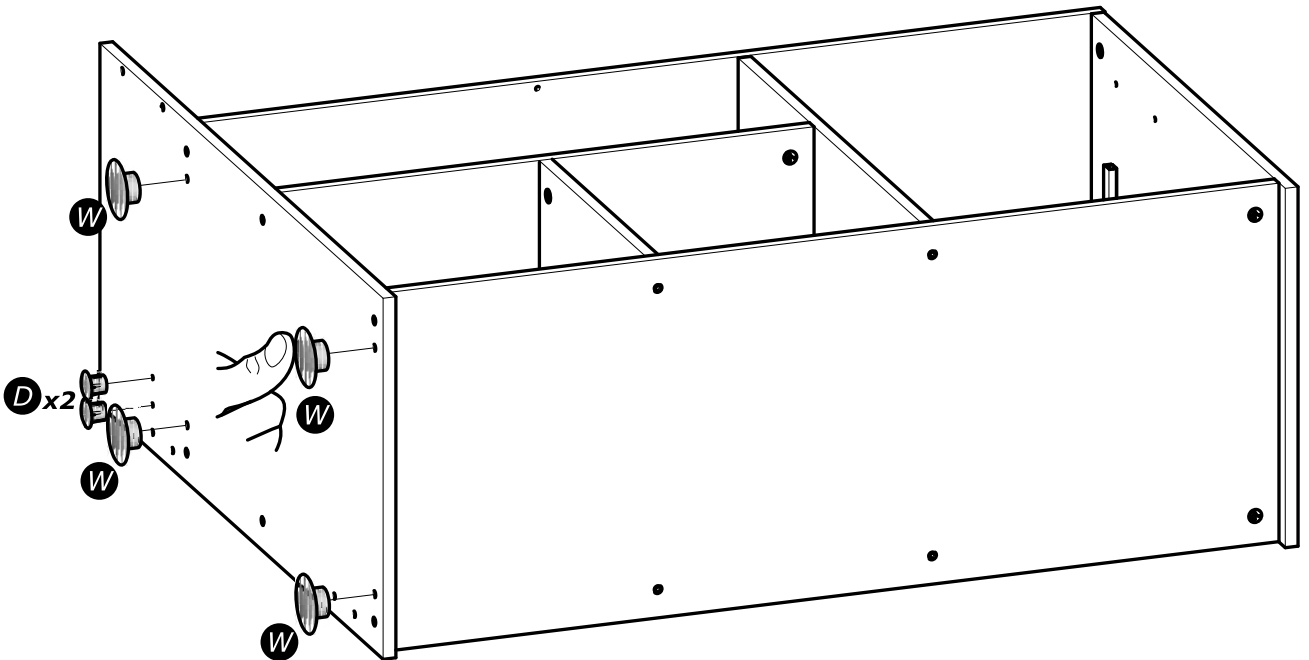
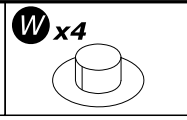
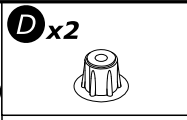


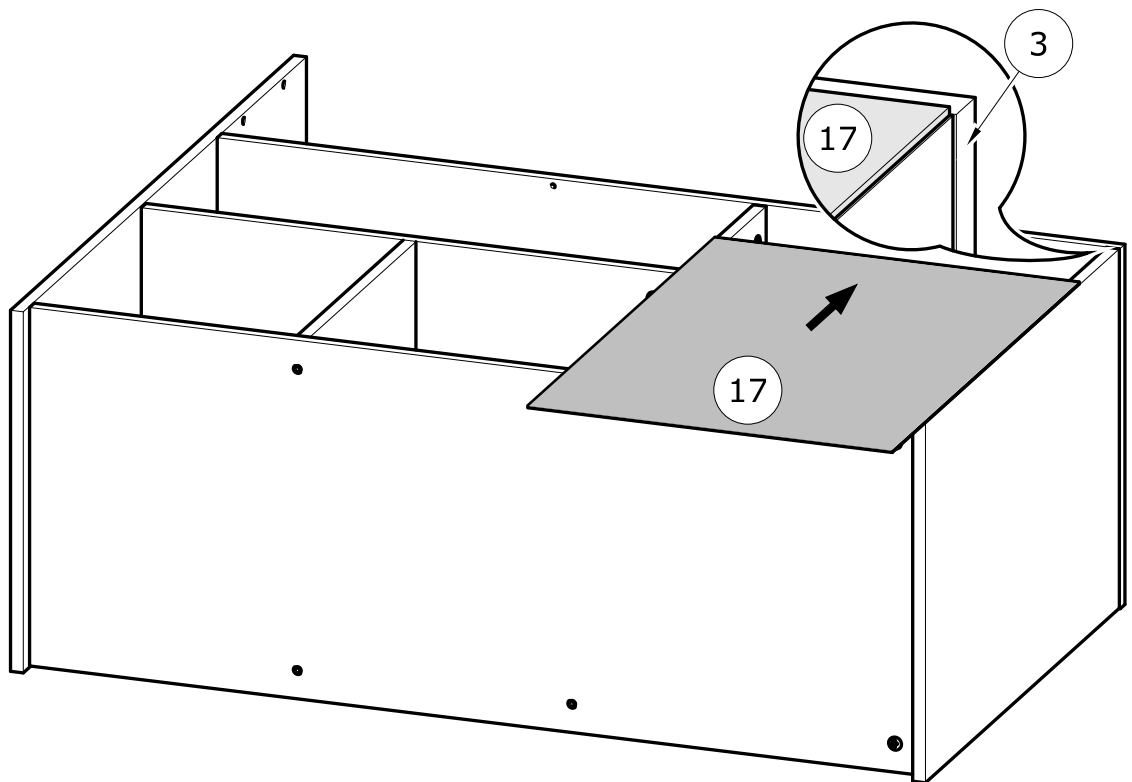
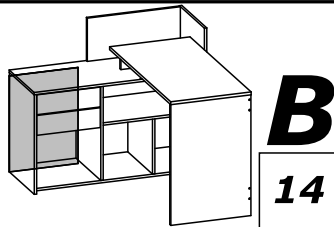
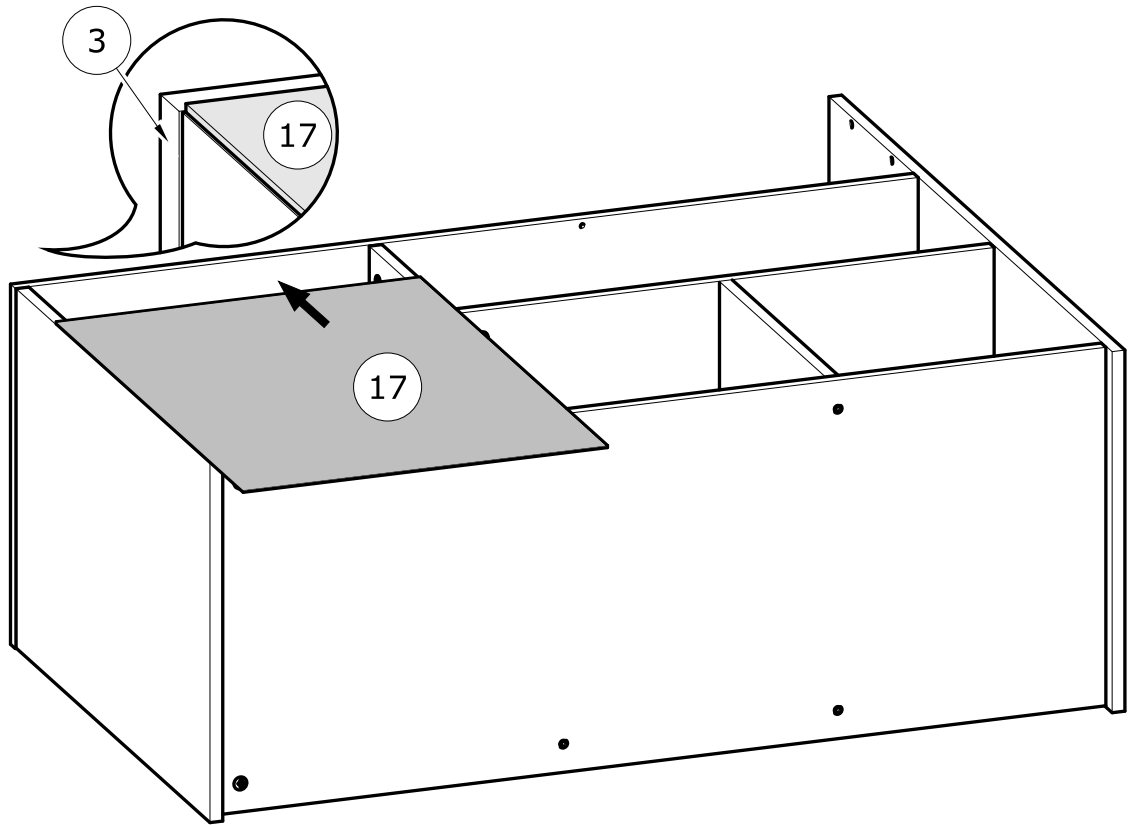
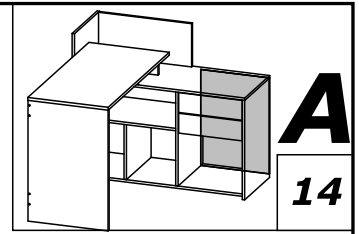


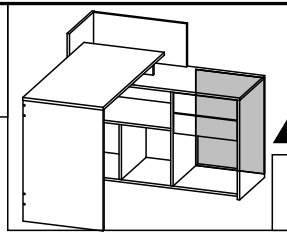
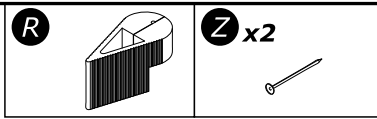
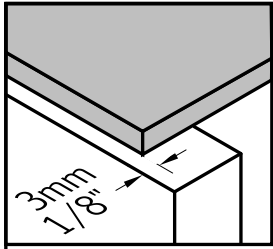
A
13



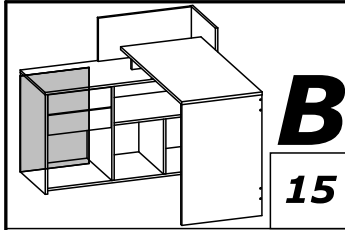
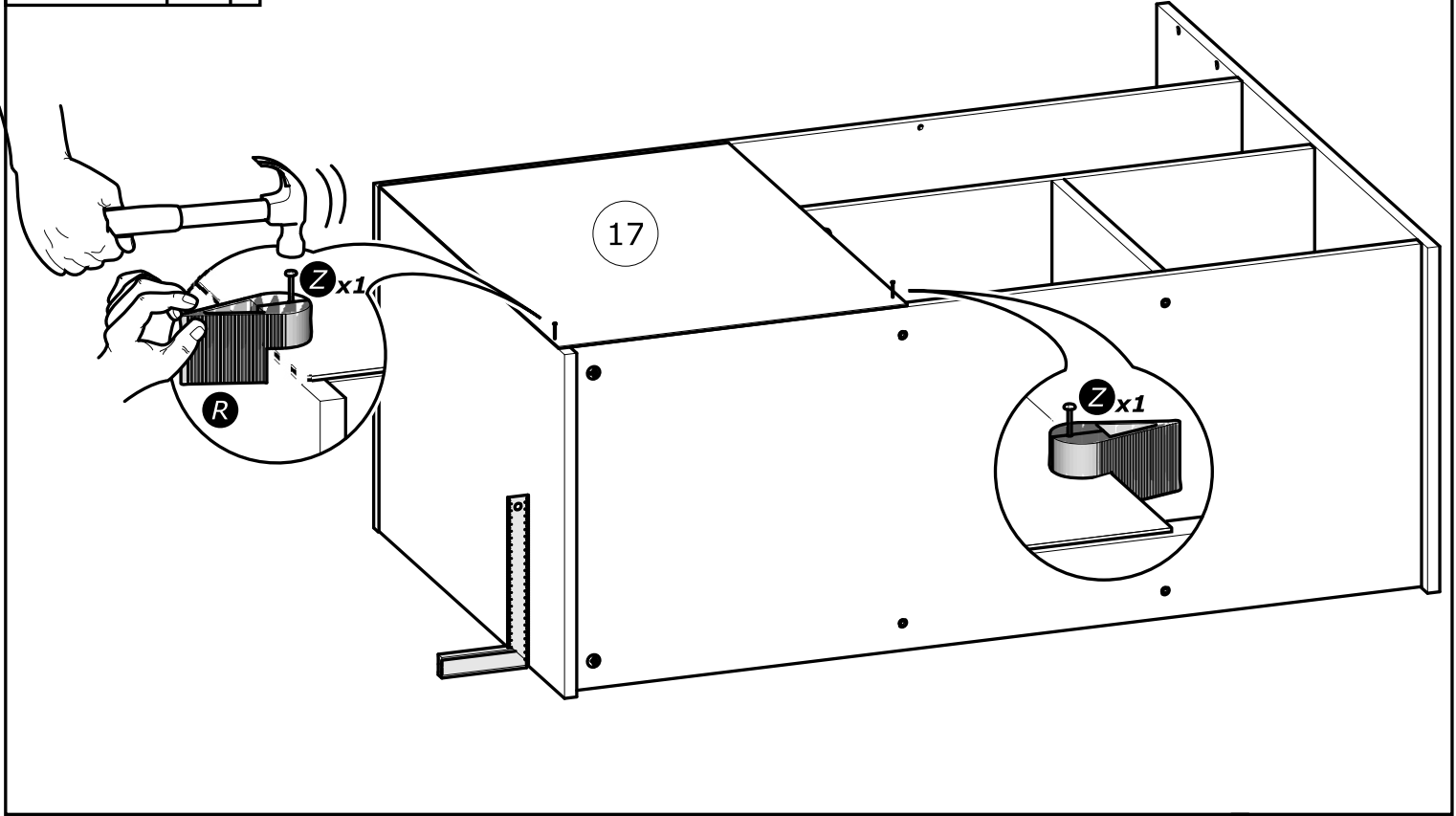
B
13



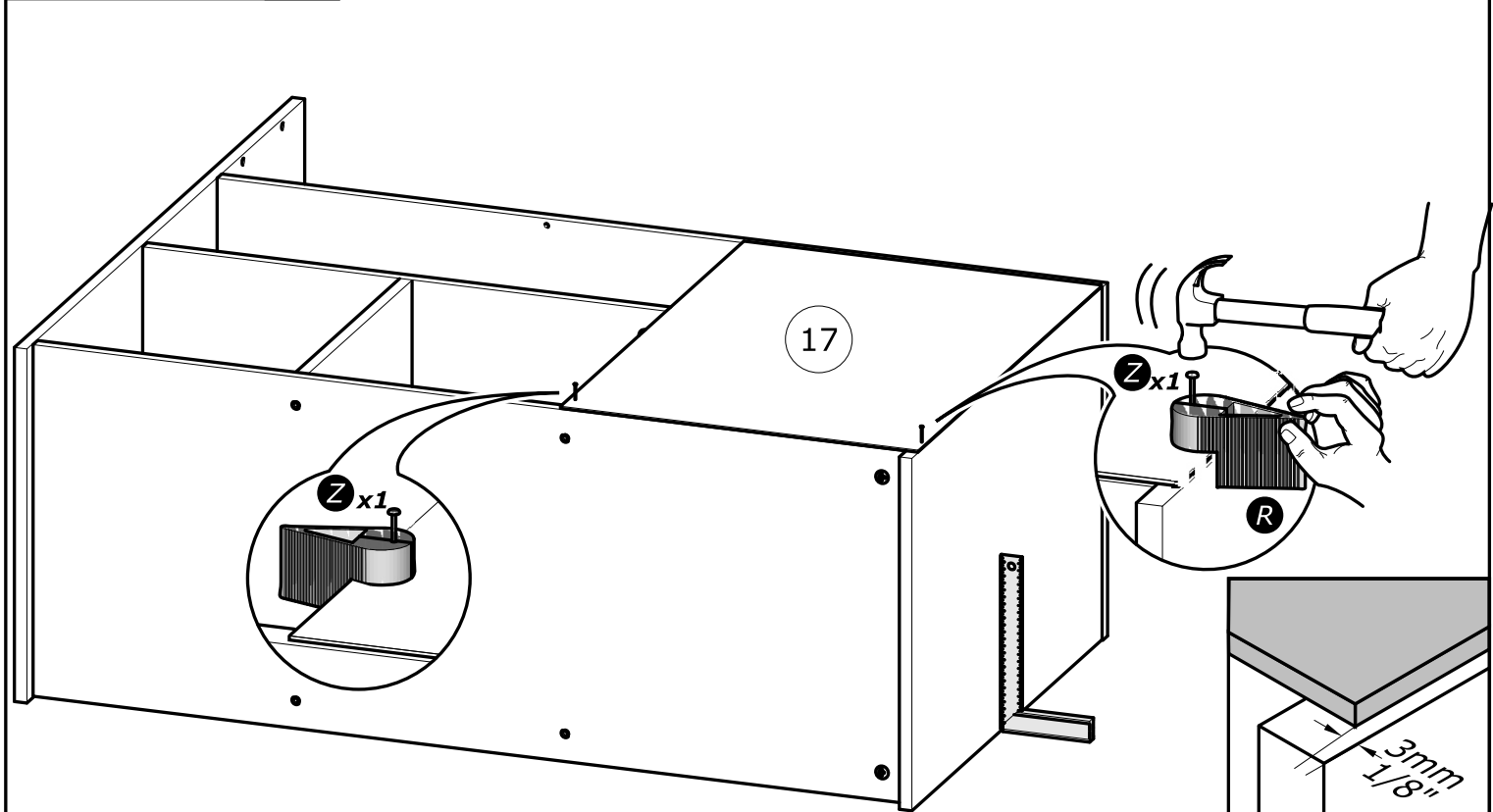
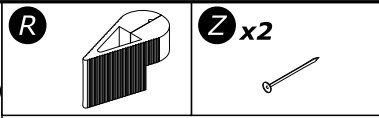


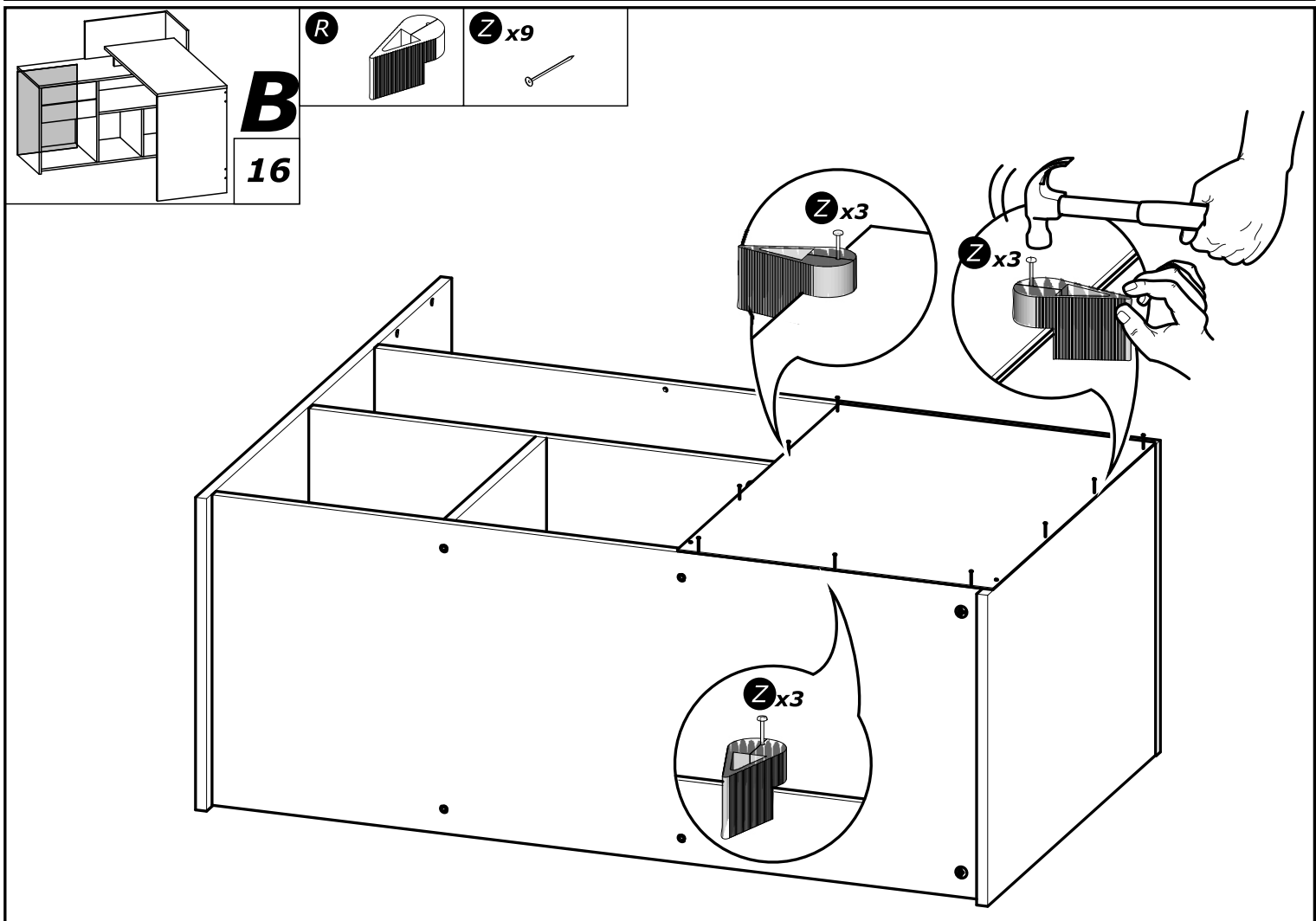
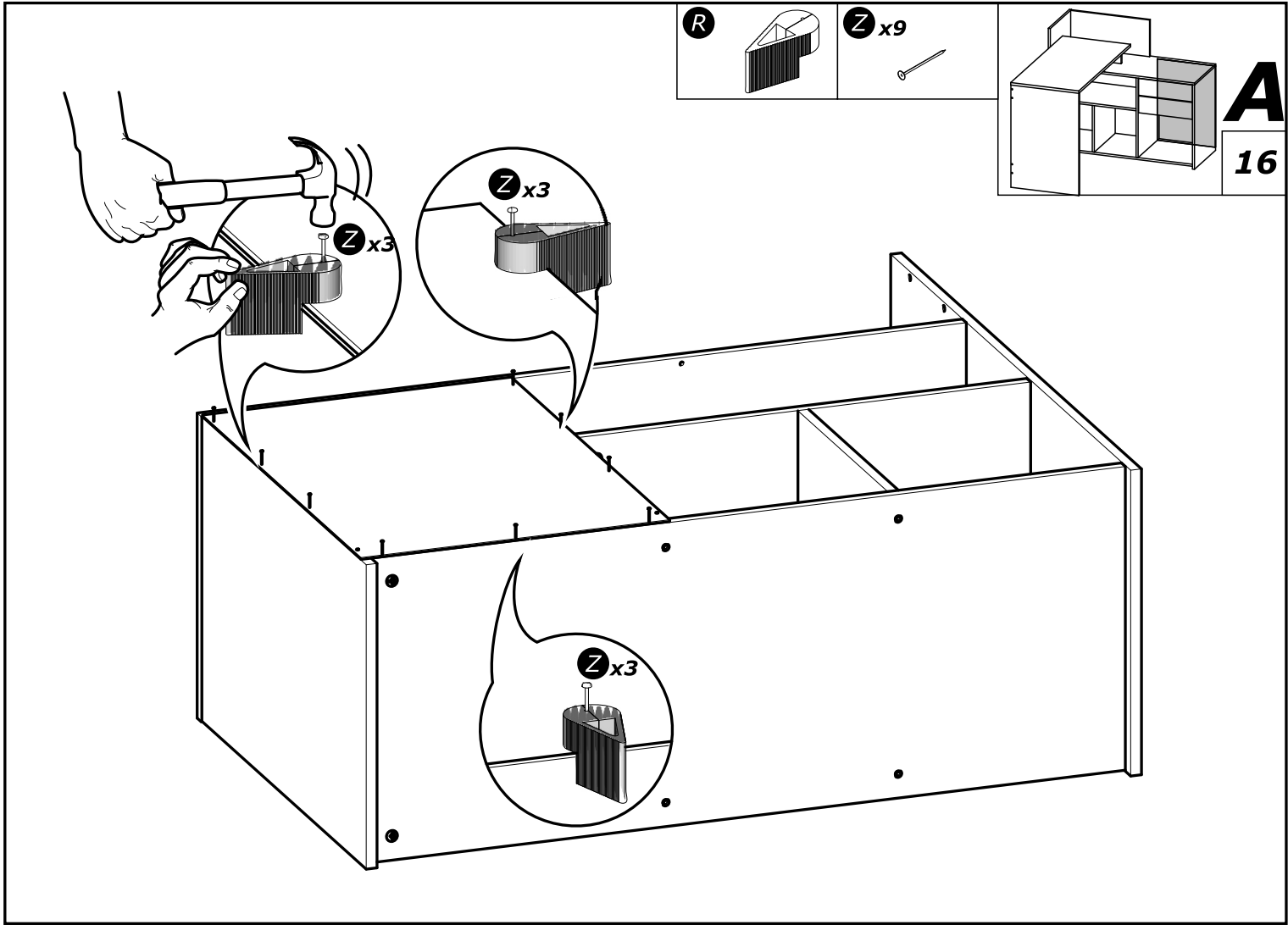


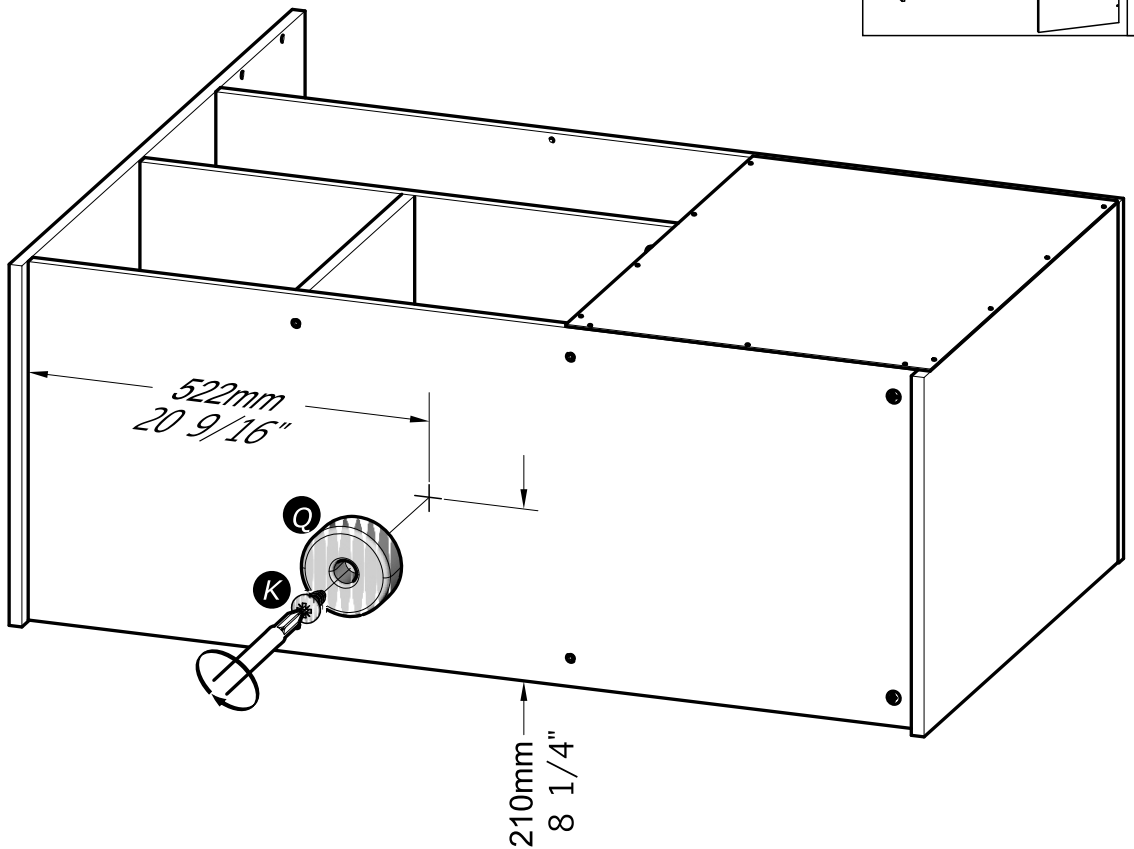
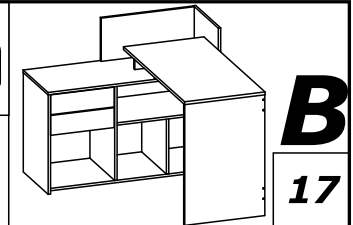
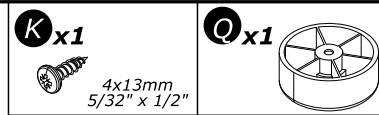
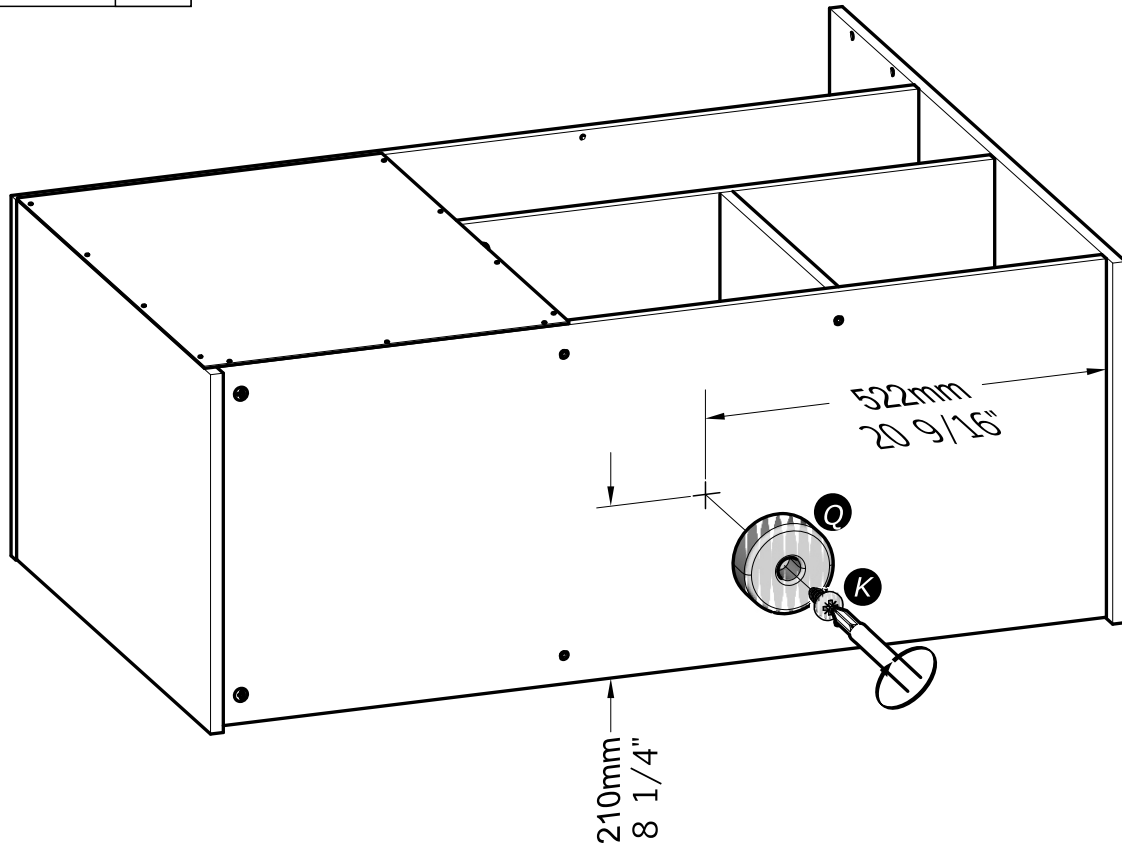
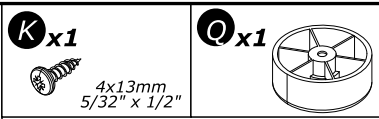
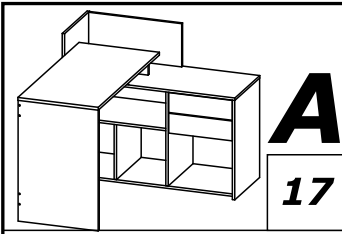
A
15

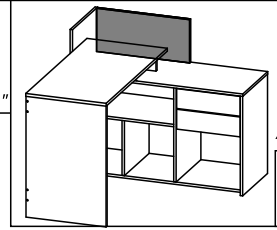
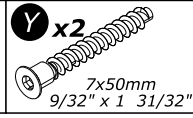
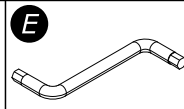
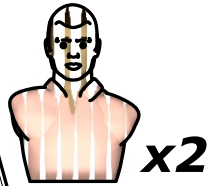
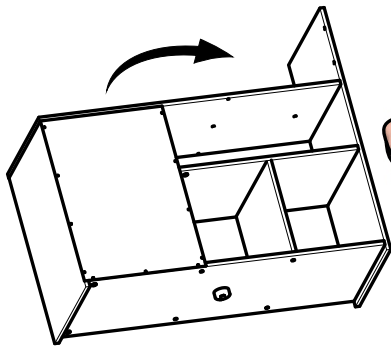


B
15

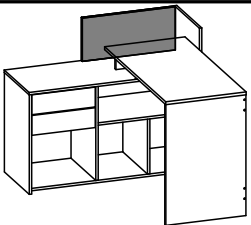
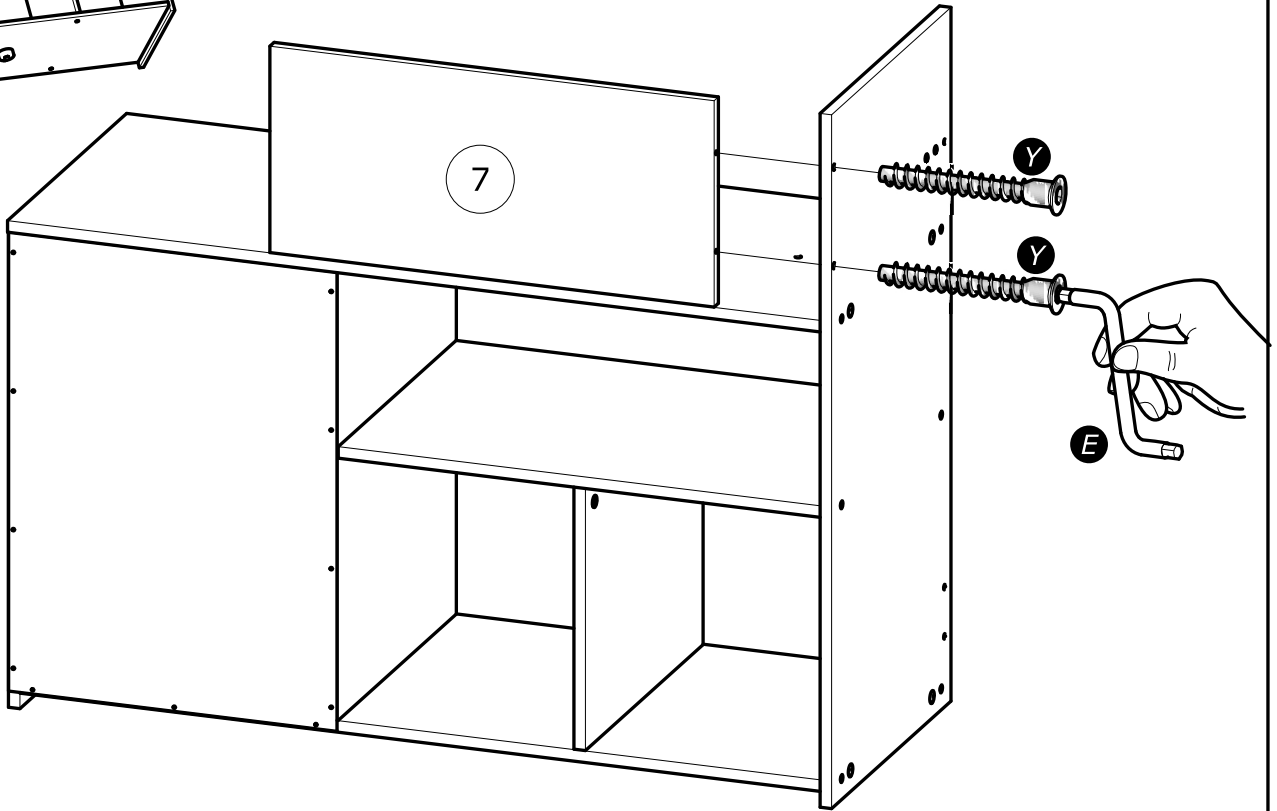




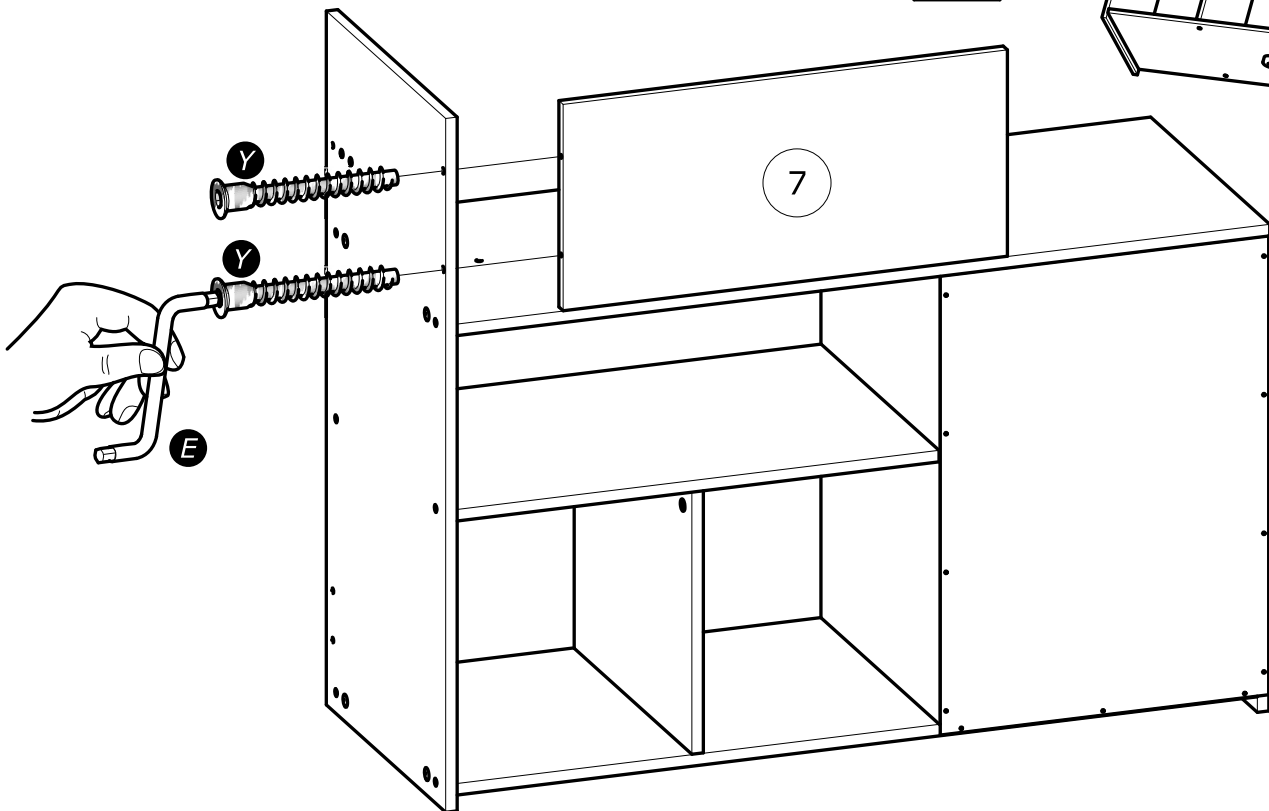
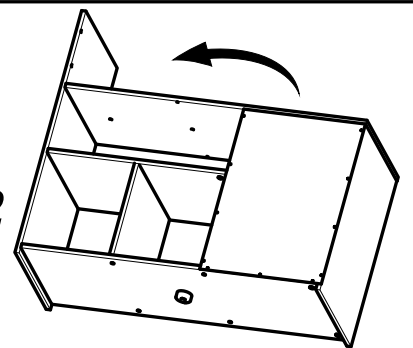
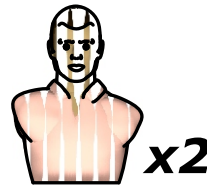
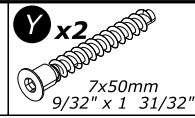
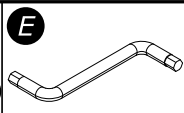


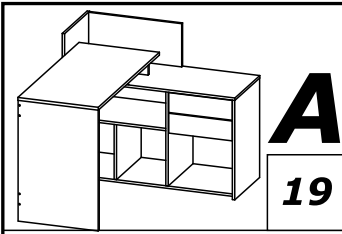


A
18



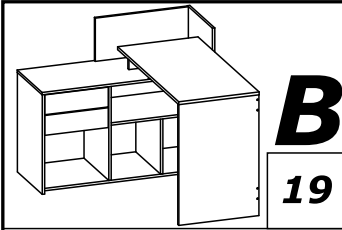
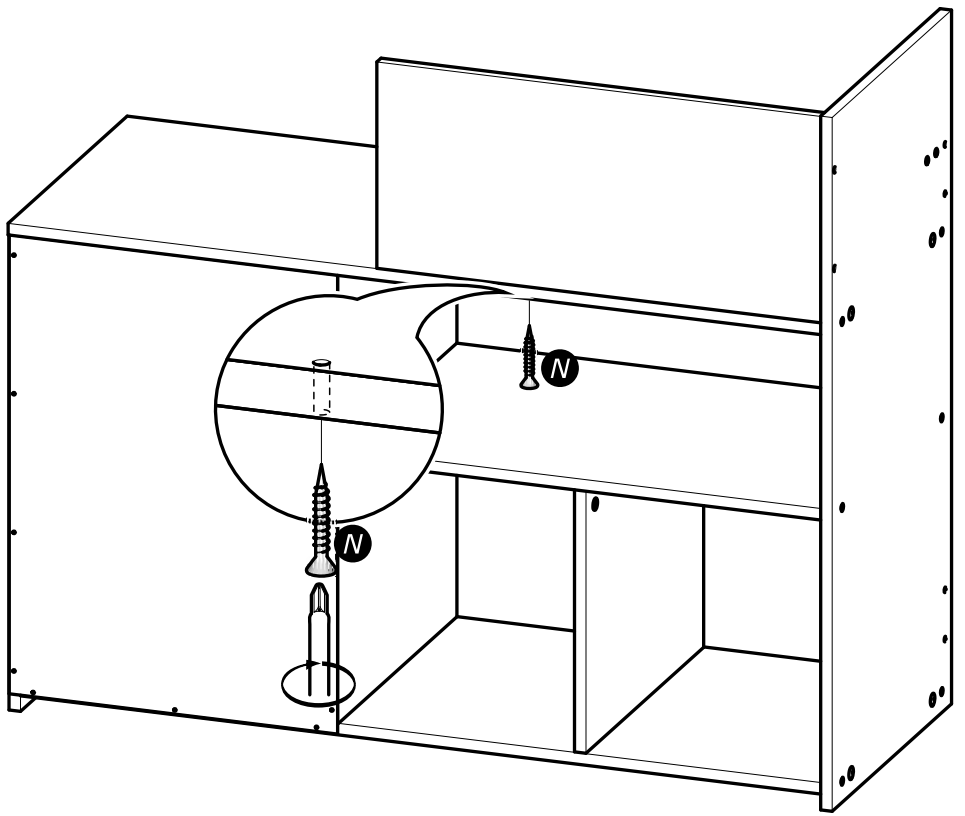
B
18





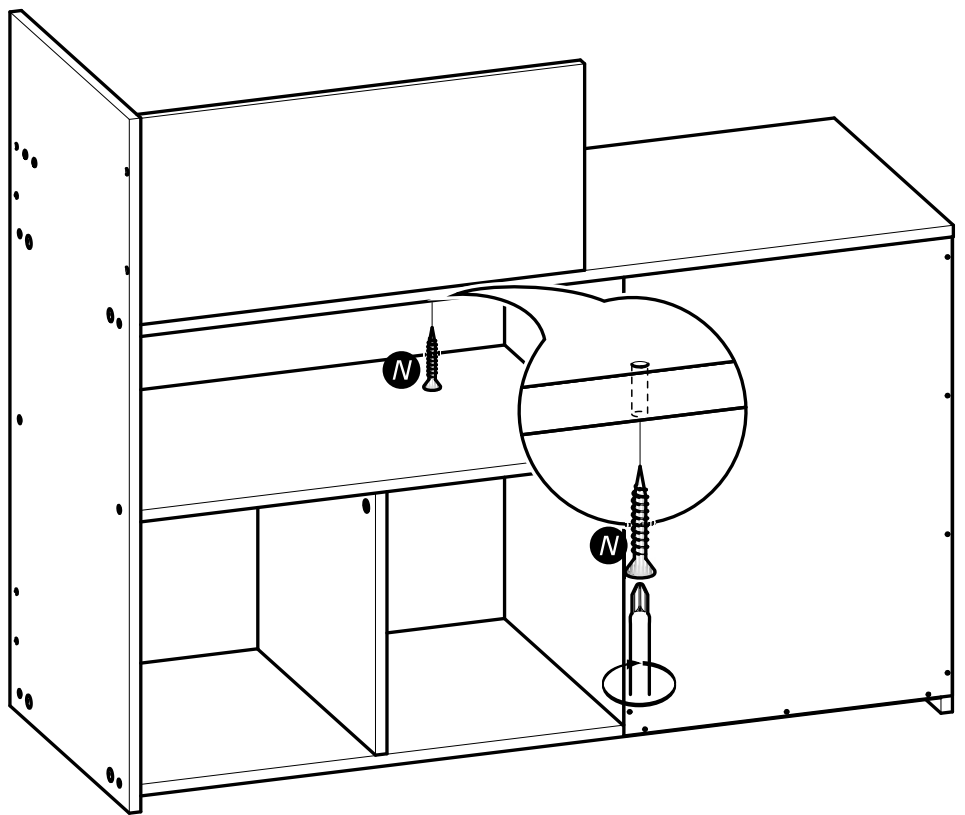
19

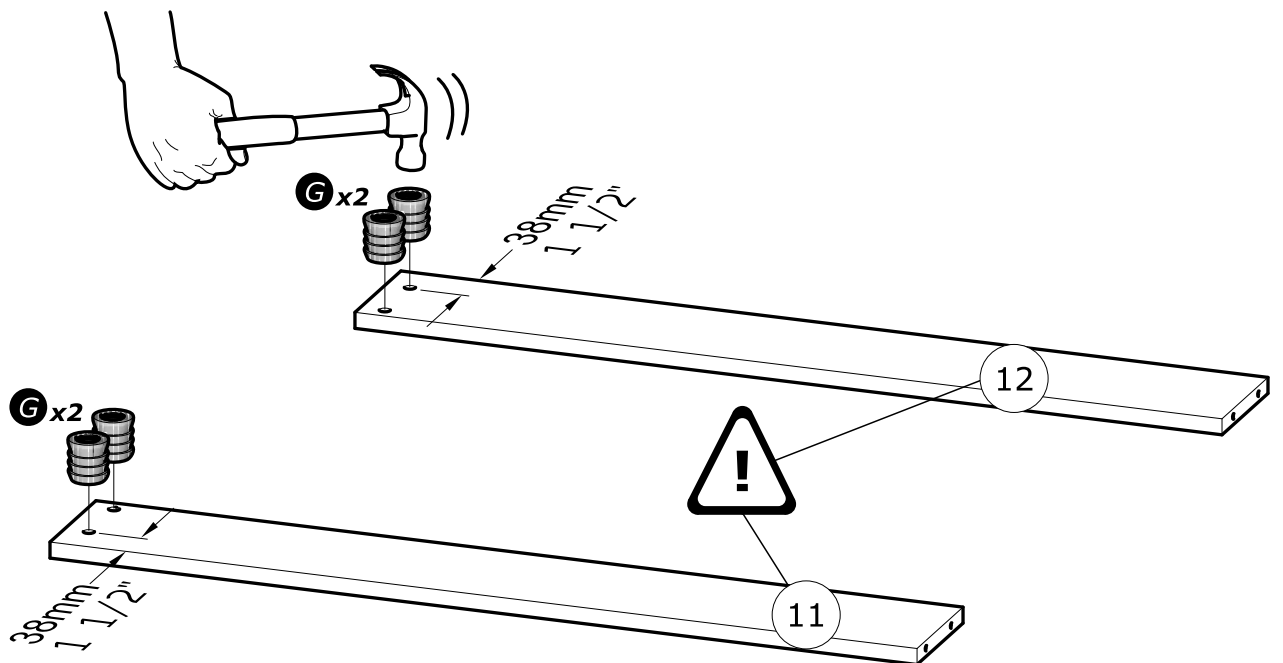
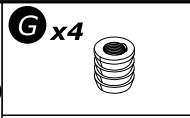
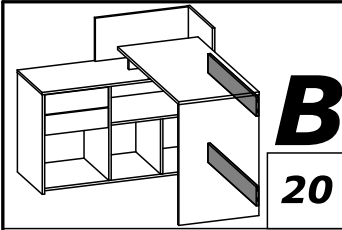
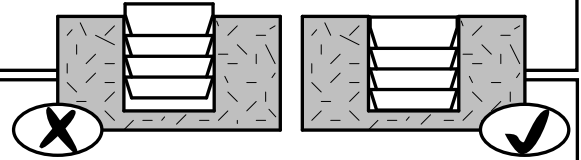
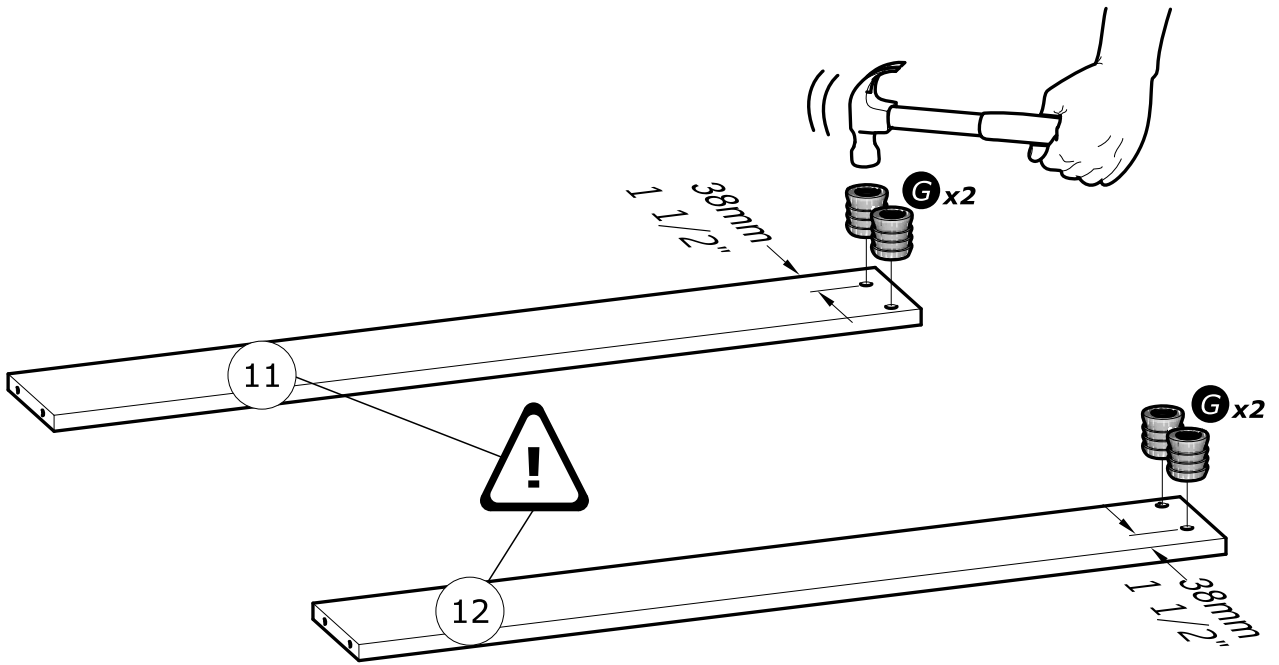
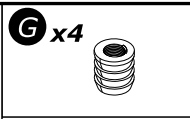
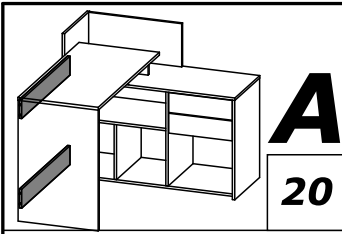
N x1
3.5x30mm
1/8" x 1 3/16"

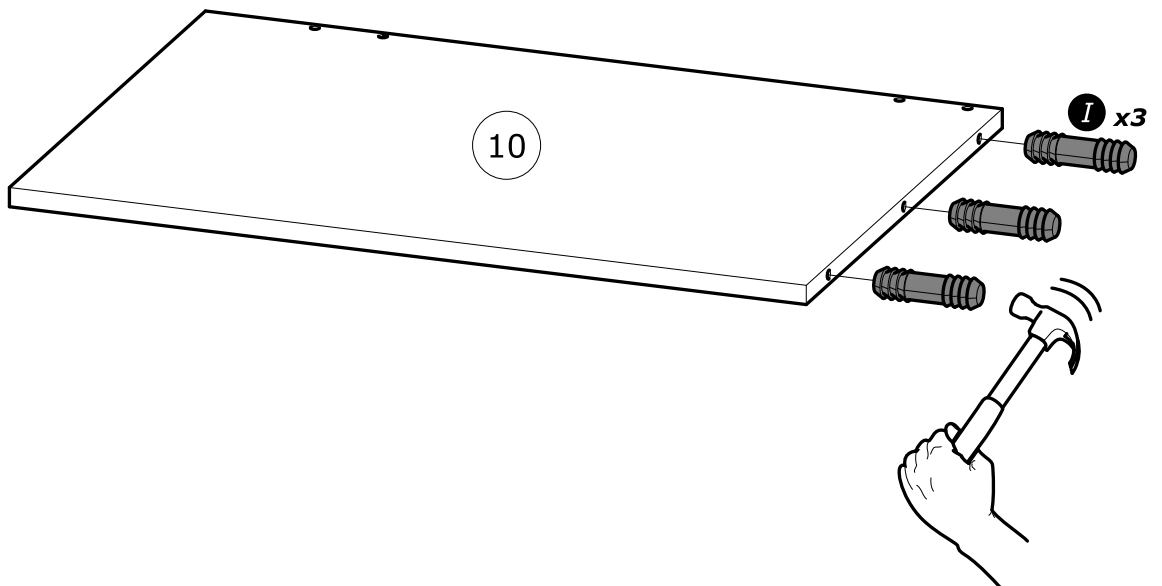
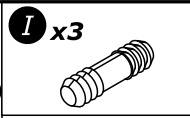
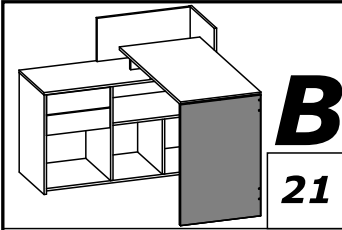
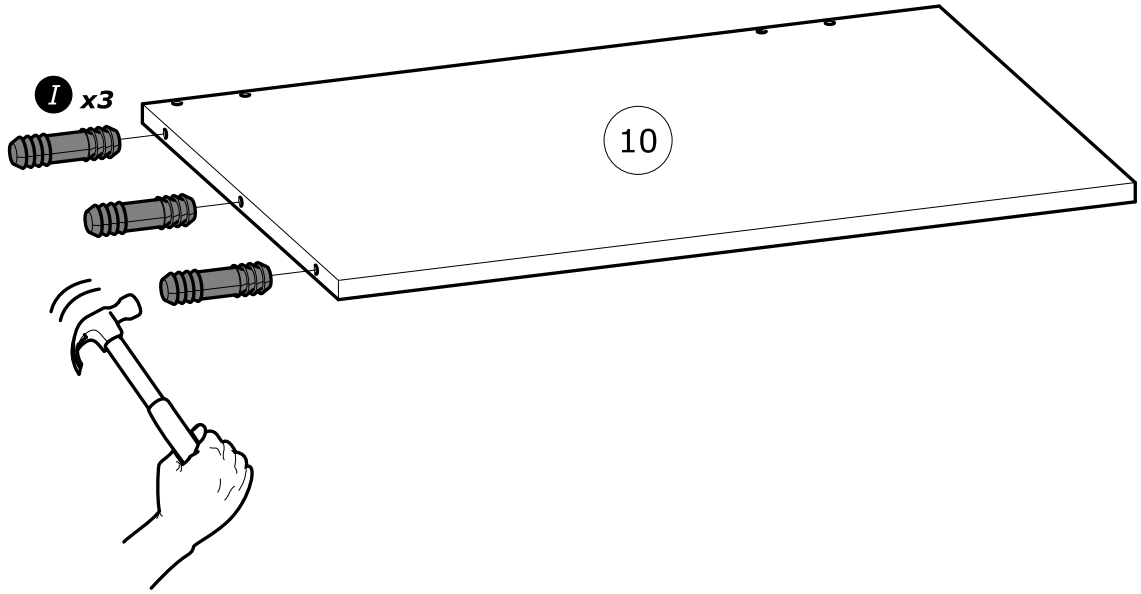
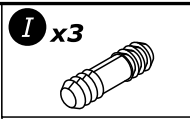
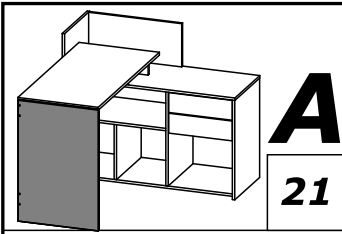


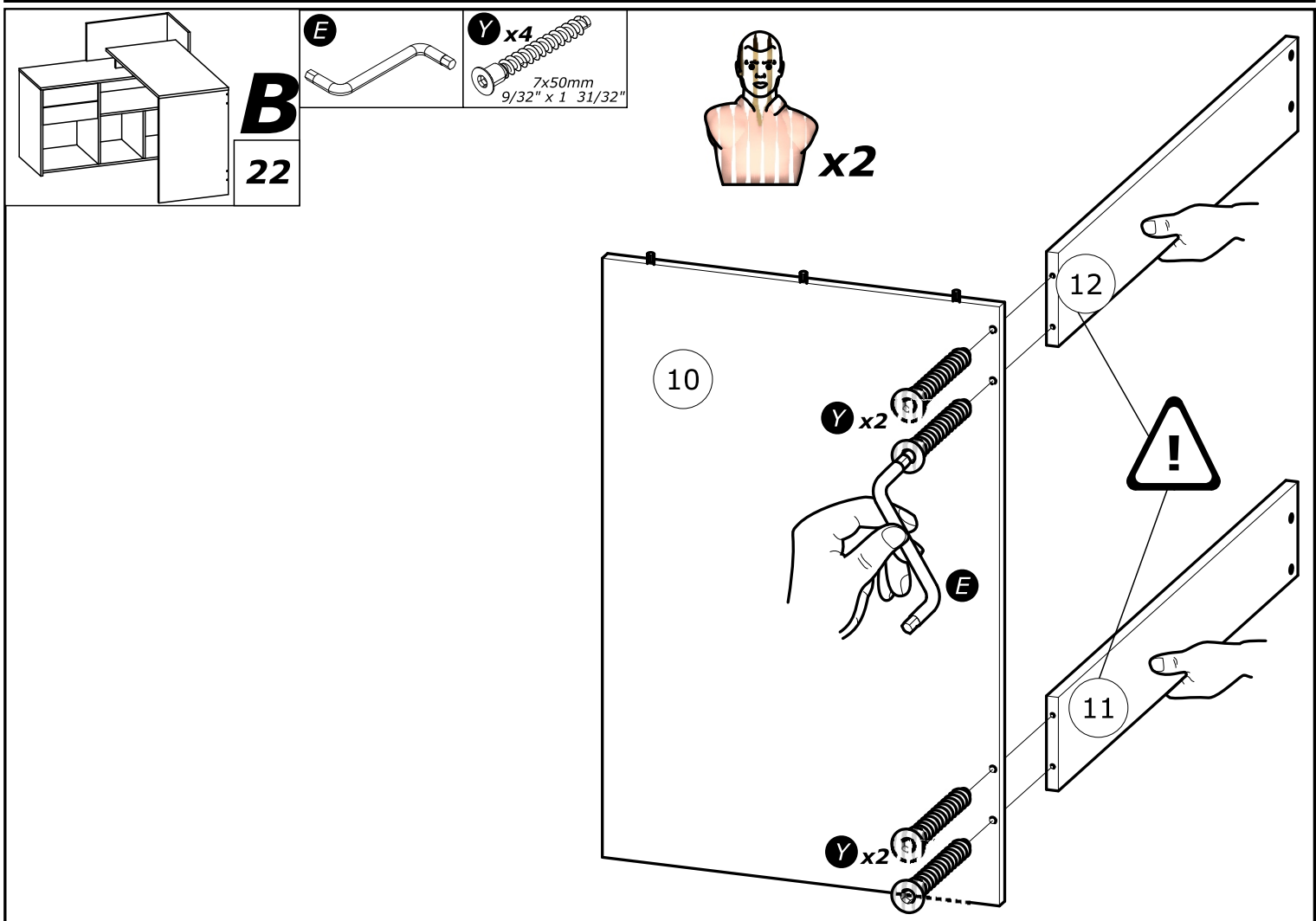
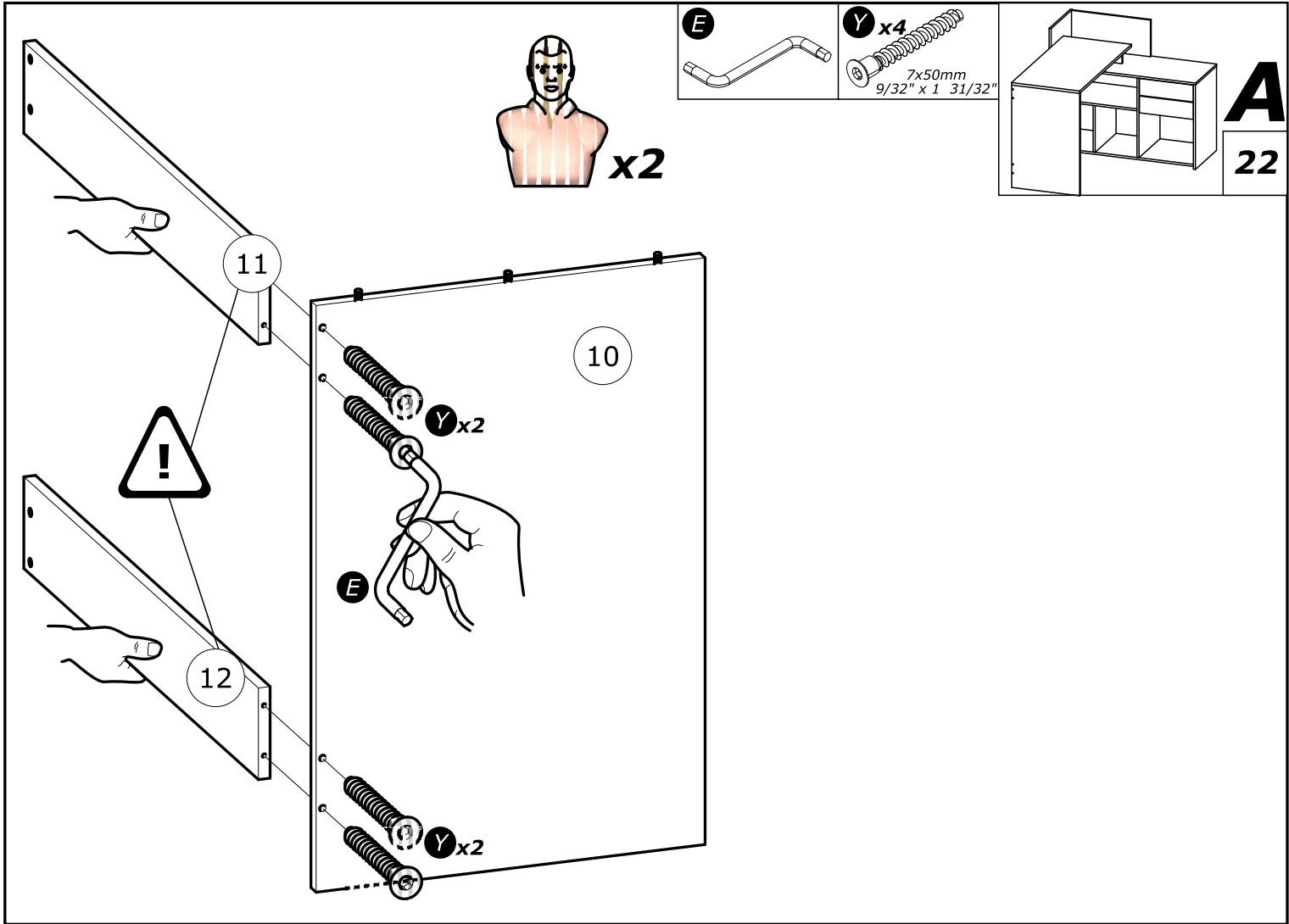
19

N x1
3.5x30mm
1/8" x 1 3/16"









Dx1

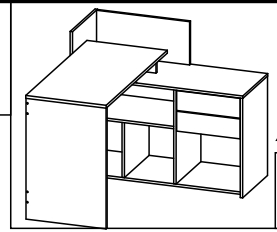


Mx4



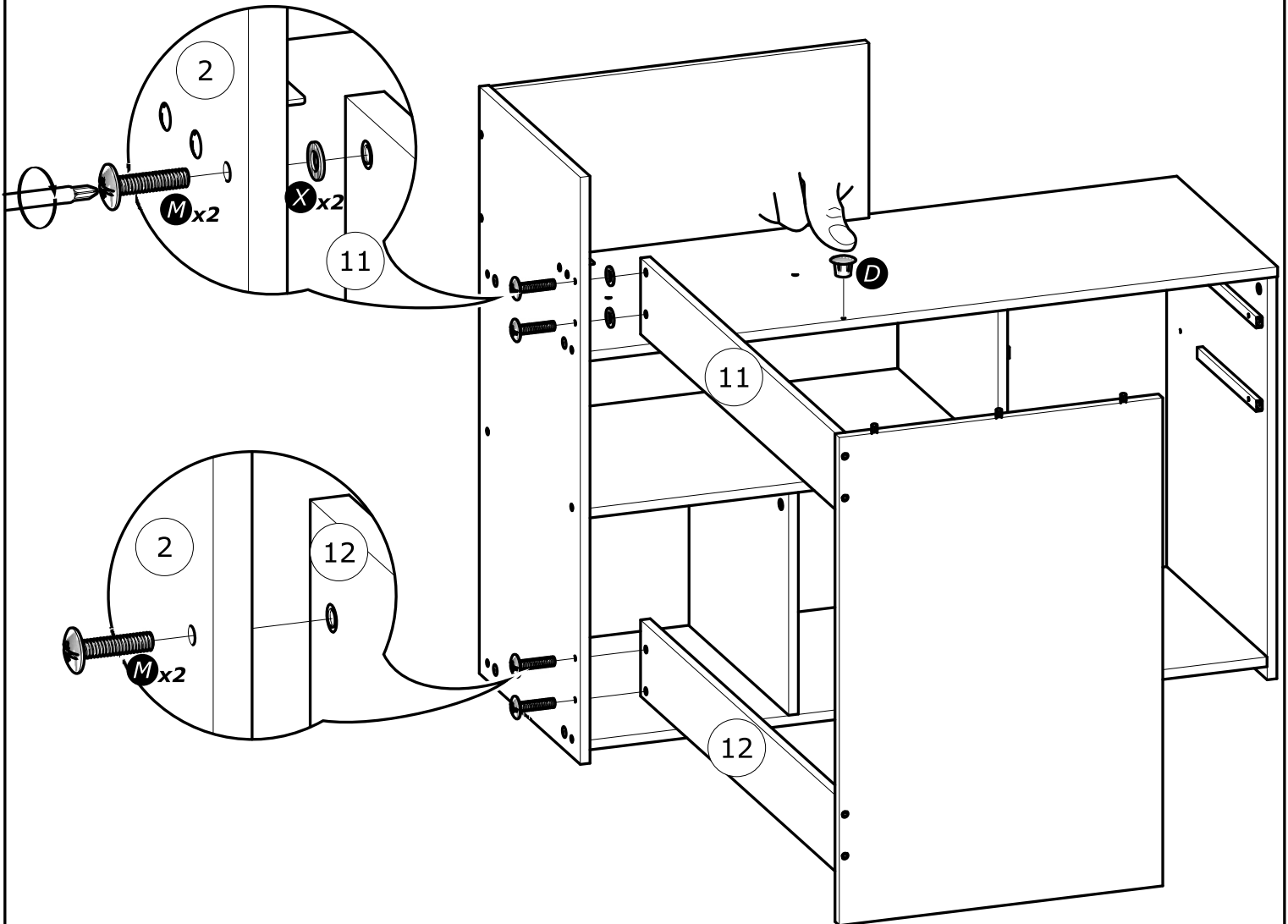
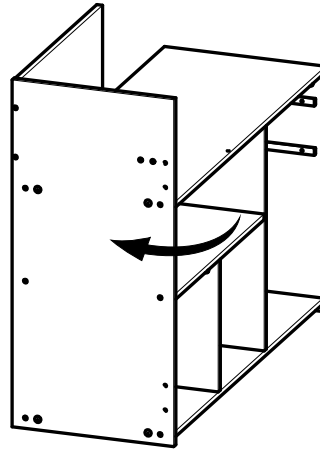
6x25mm
1/4" x 1"

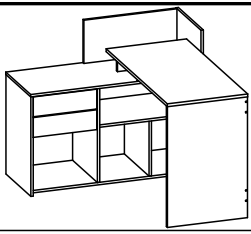
Xx2



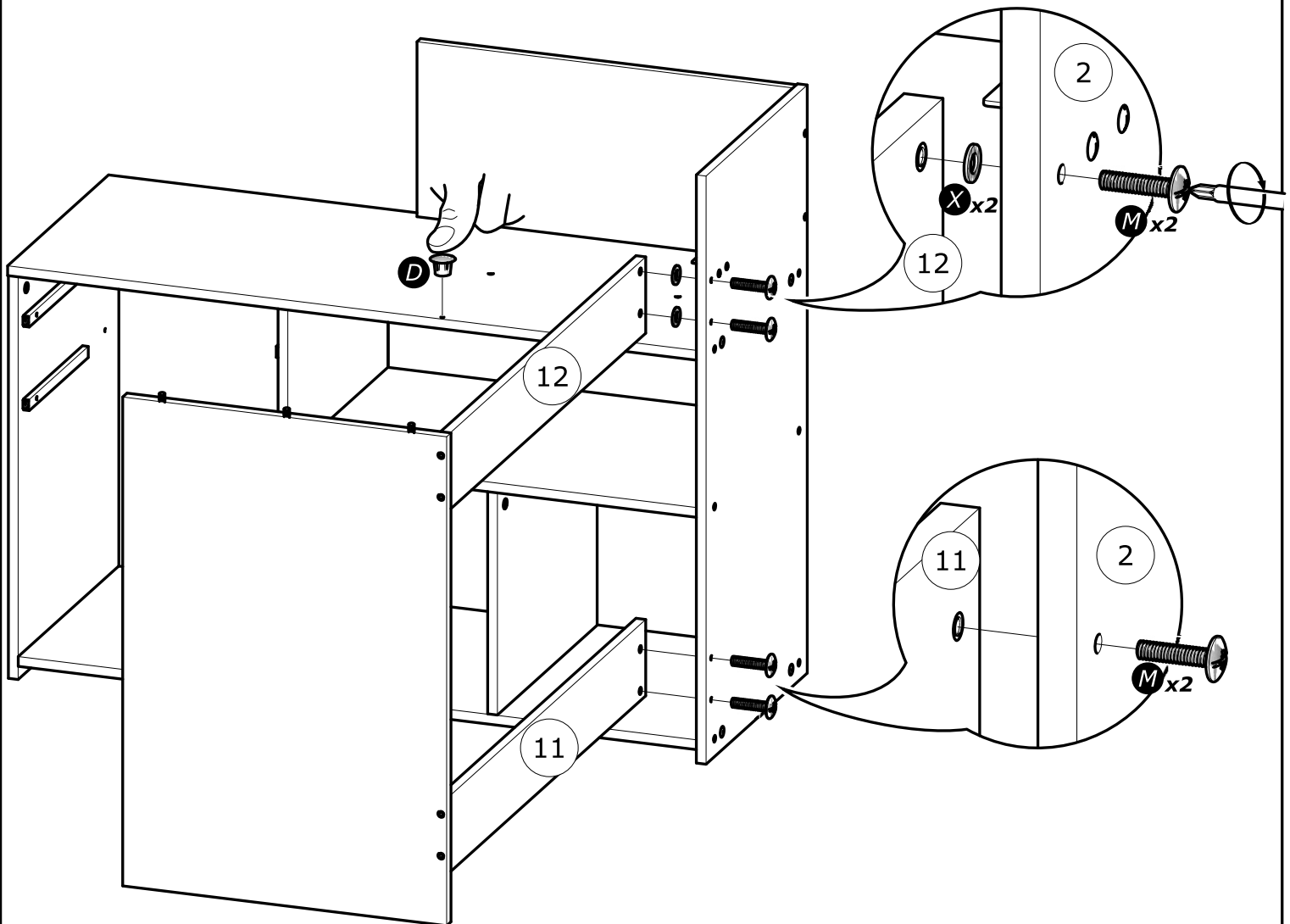
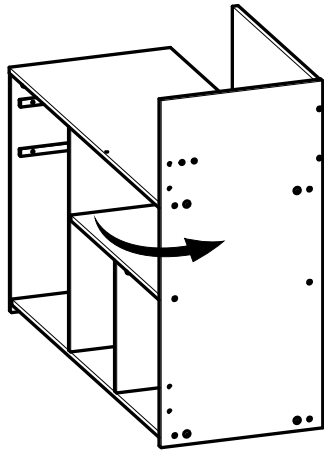
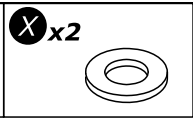
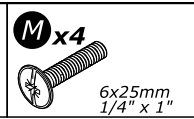
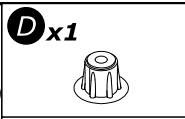
A

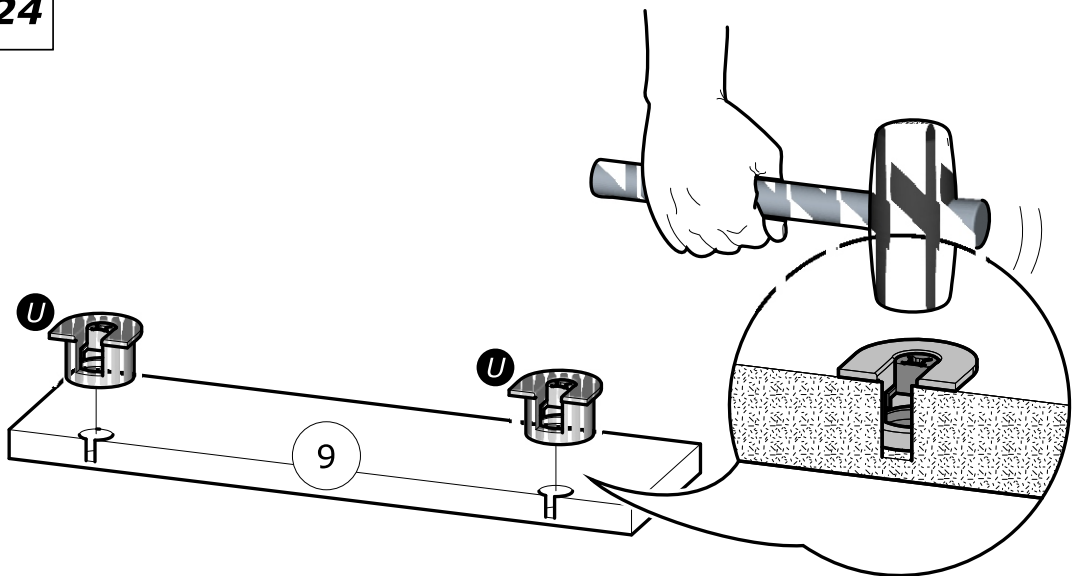
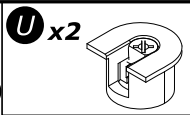
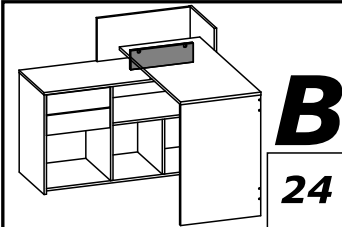
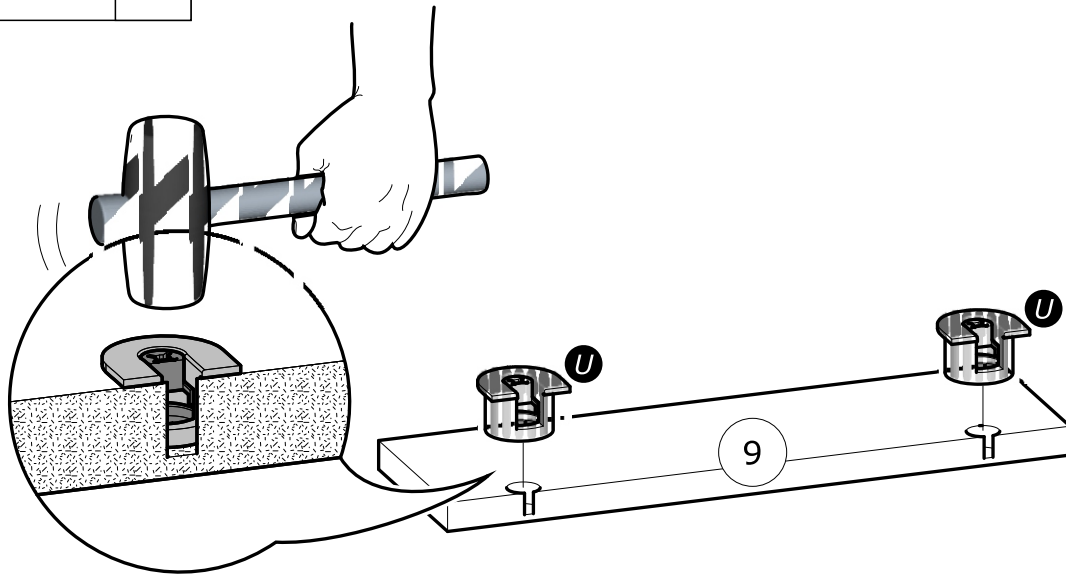
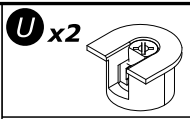
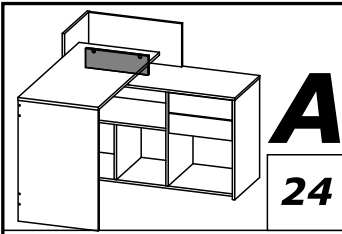
23

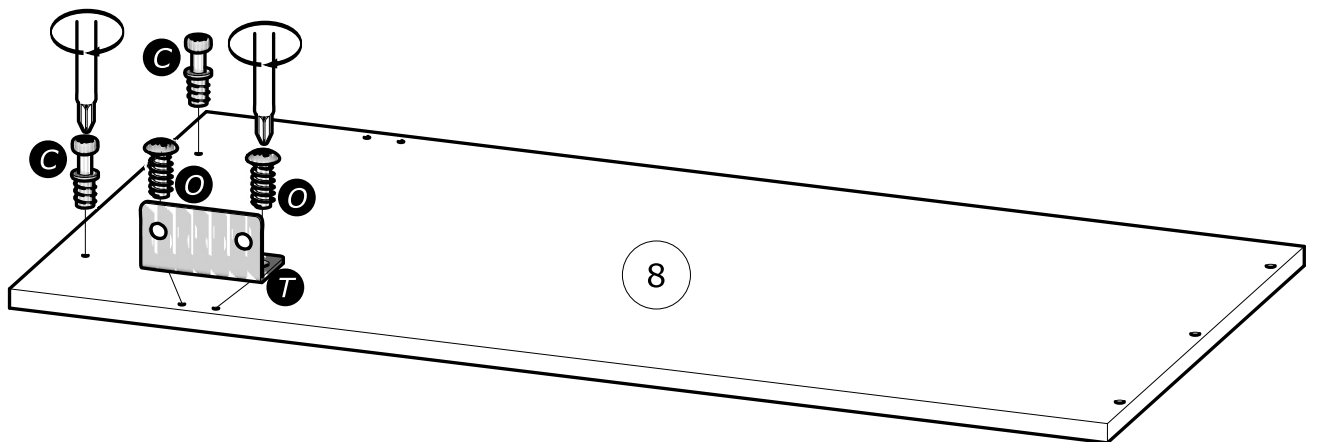
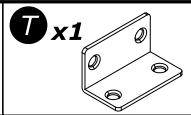
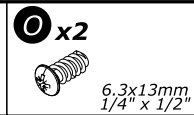
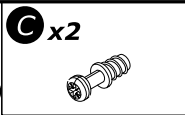
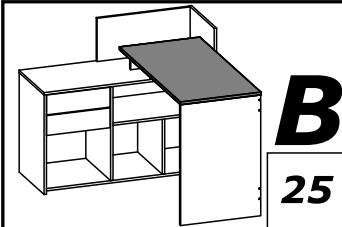
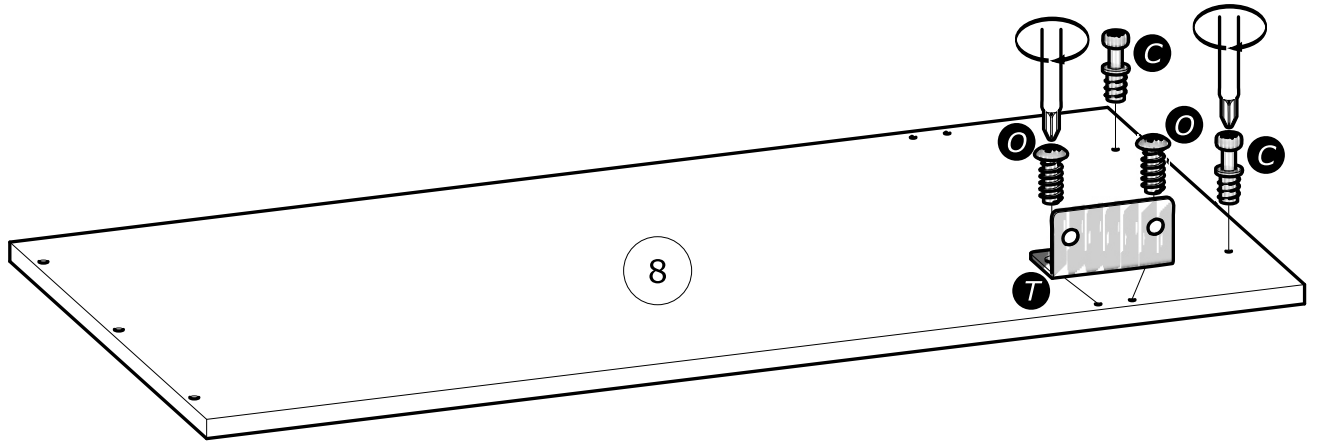
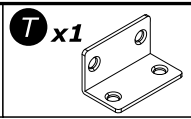
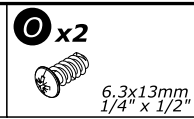
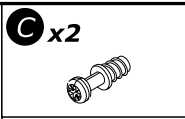
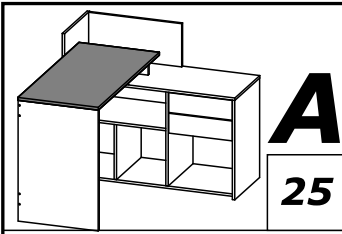


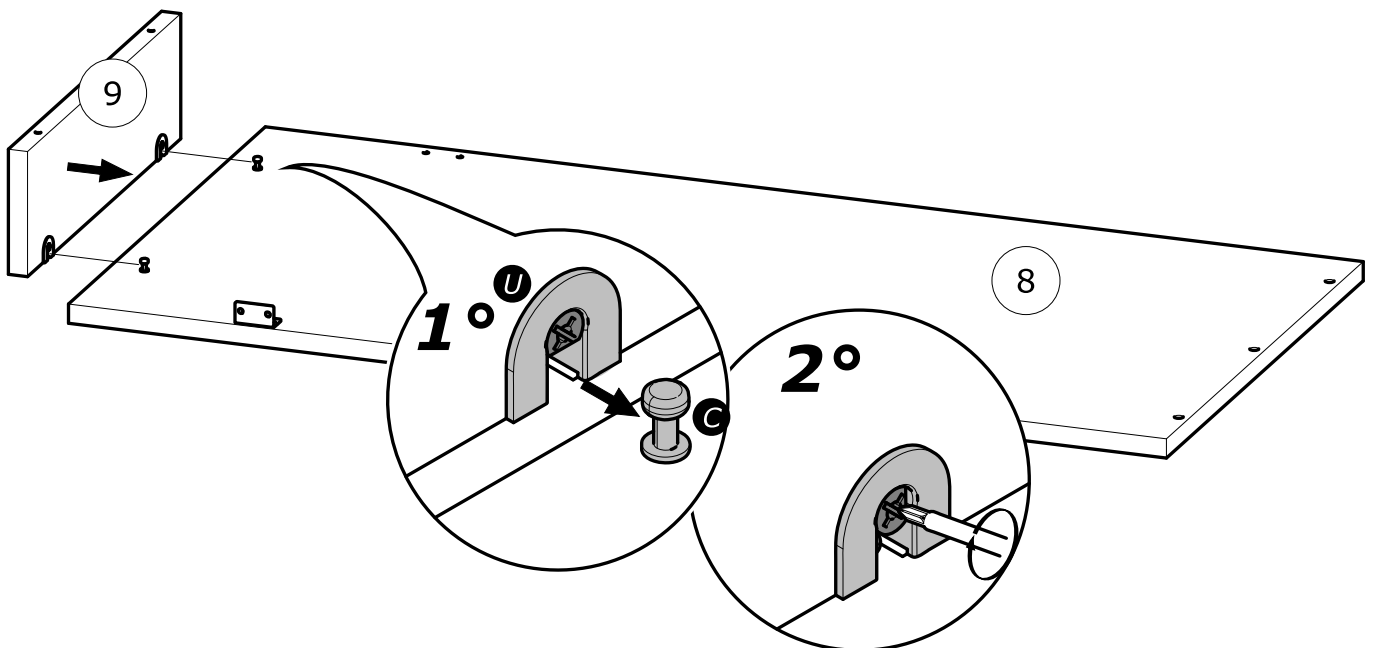
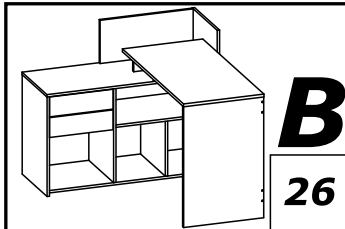
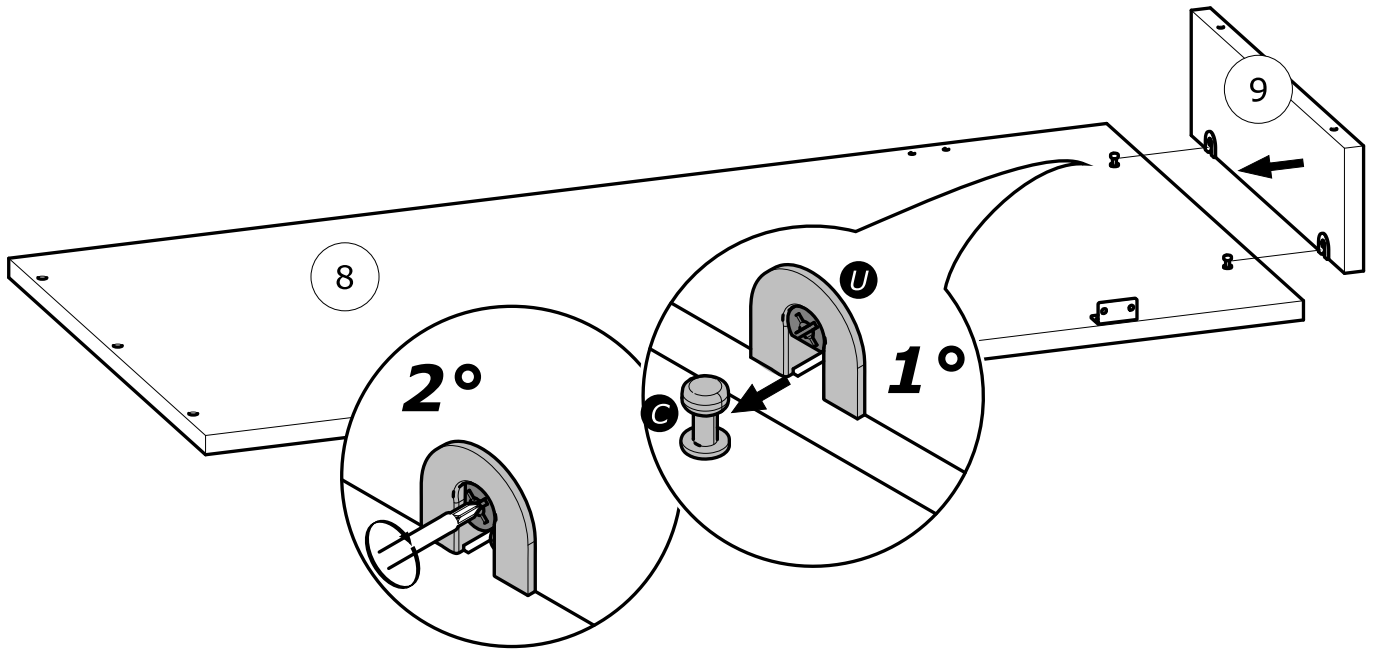
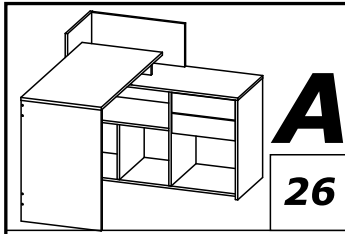


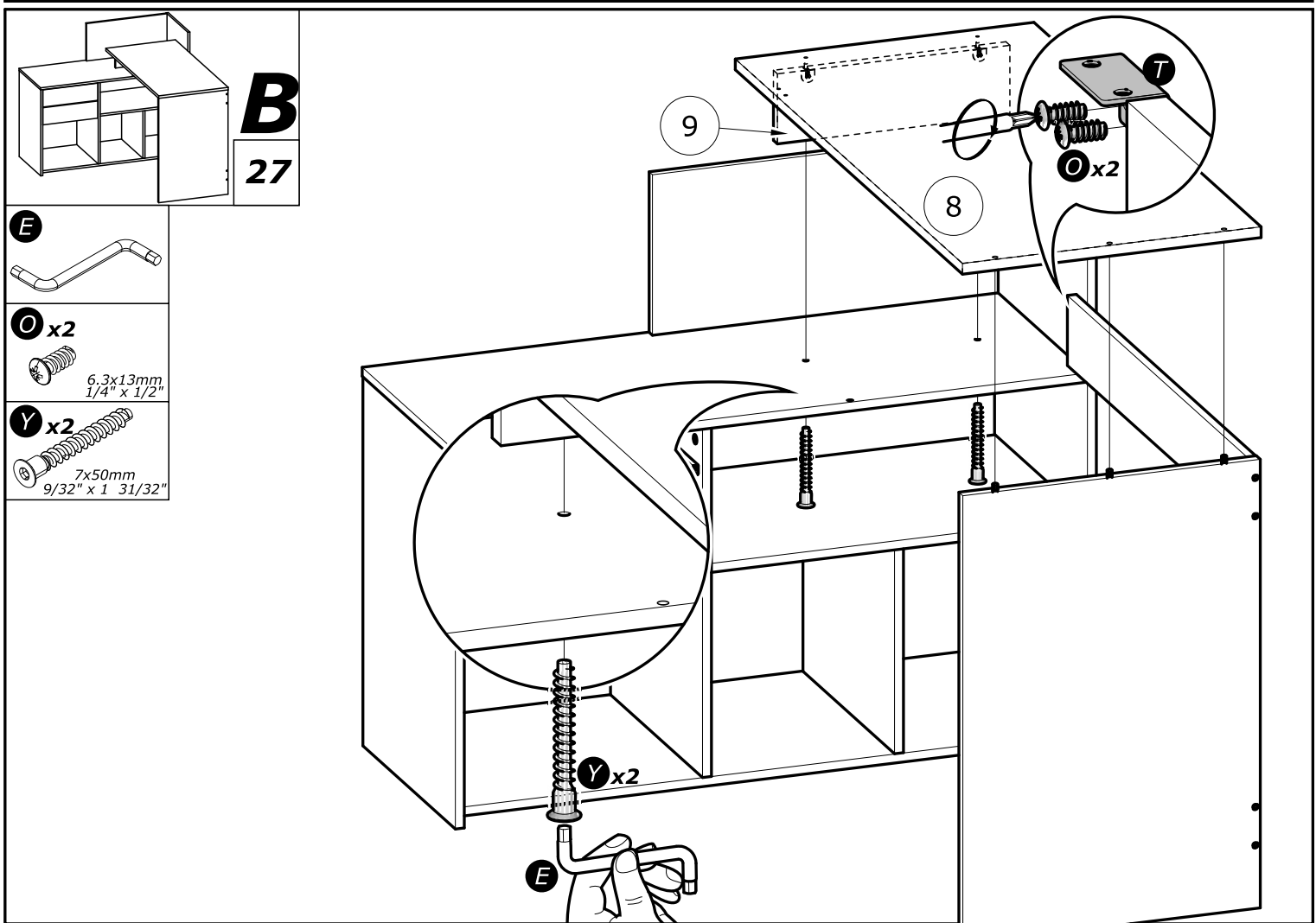
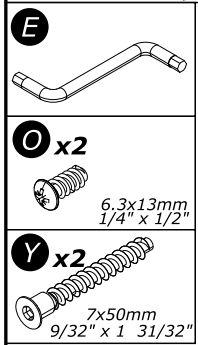
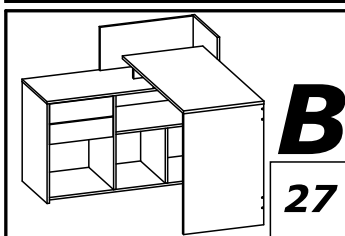
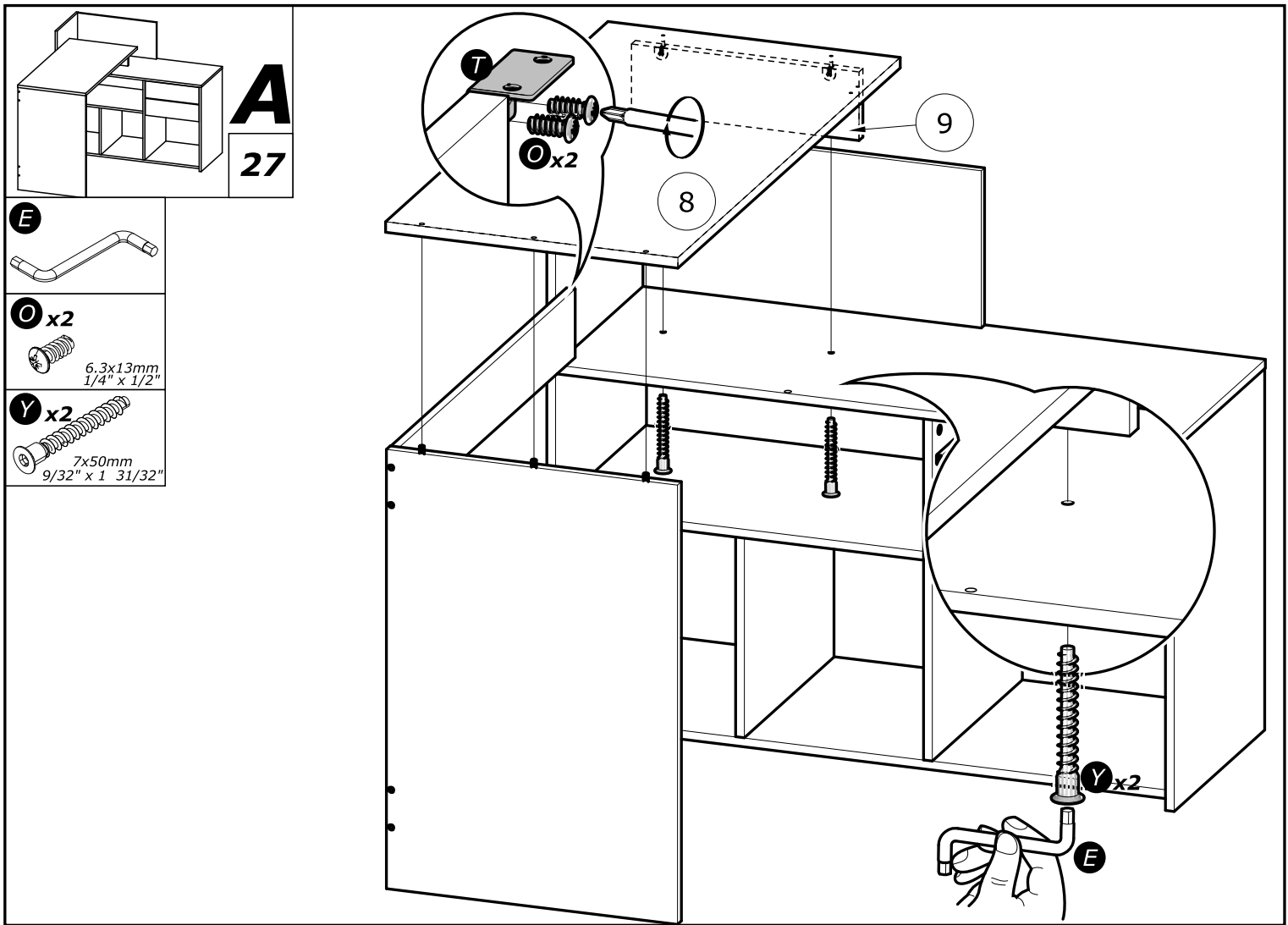
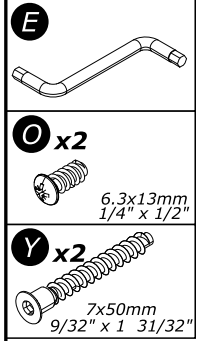
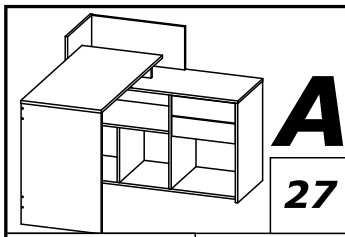
B
23

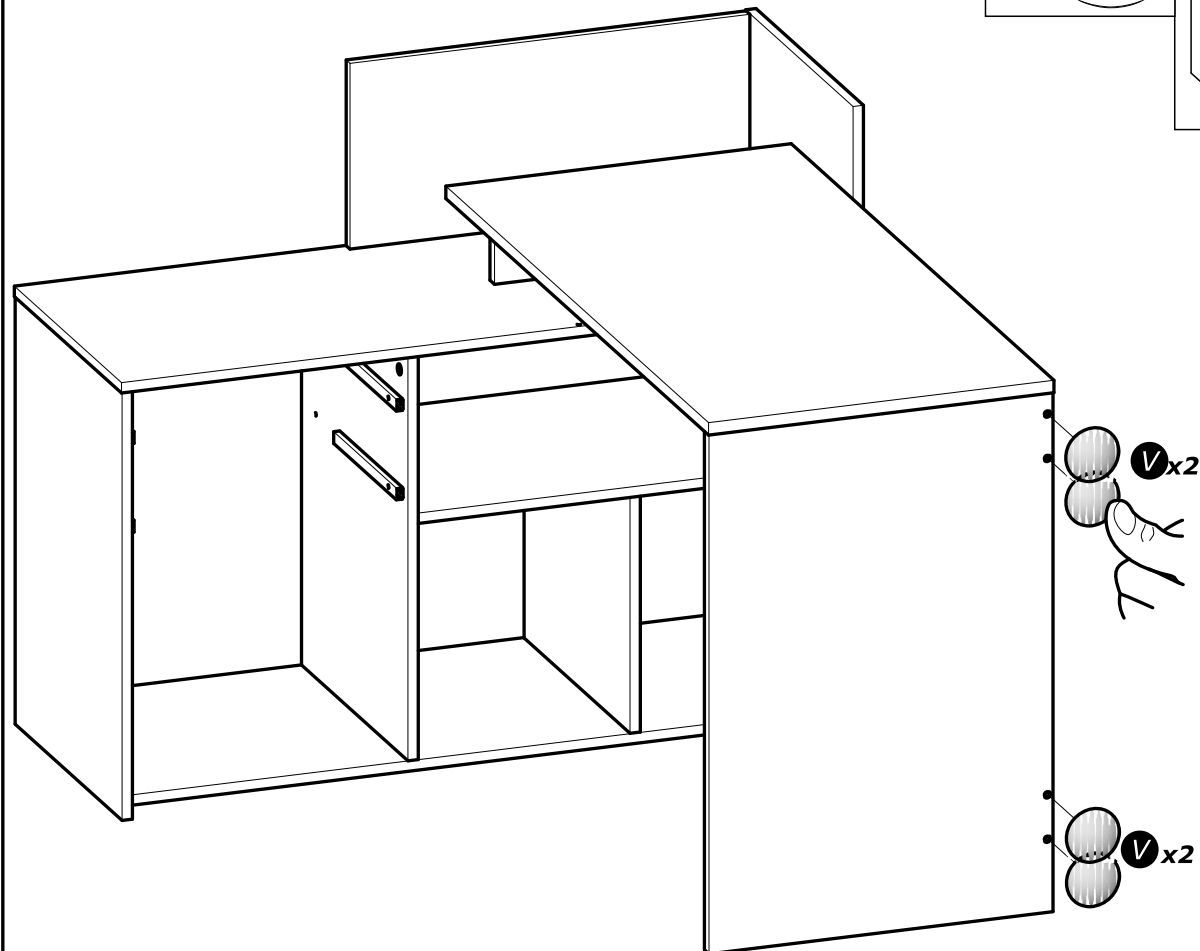
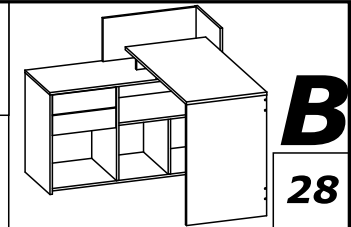
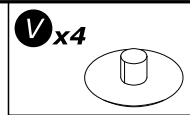
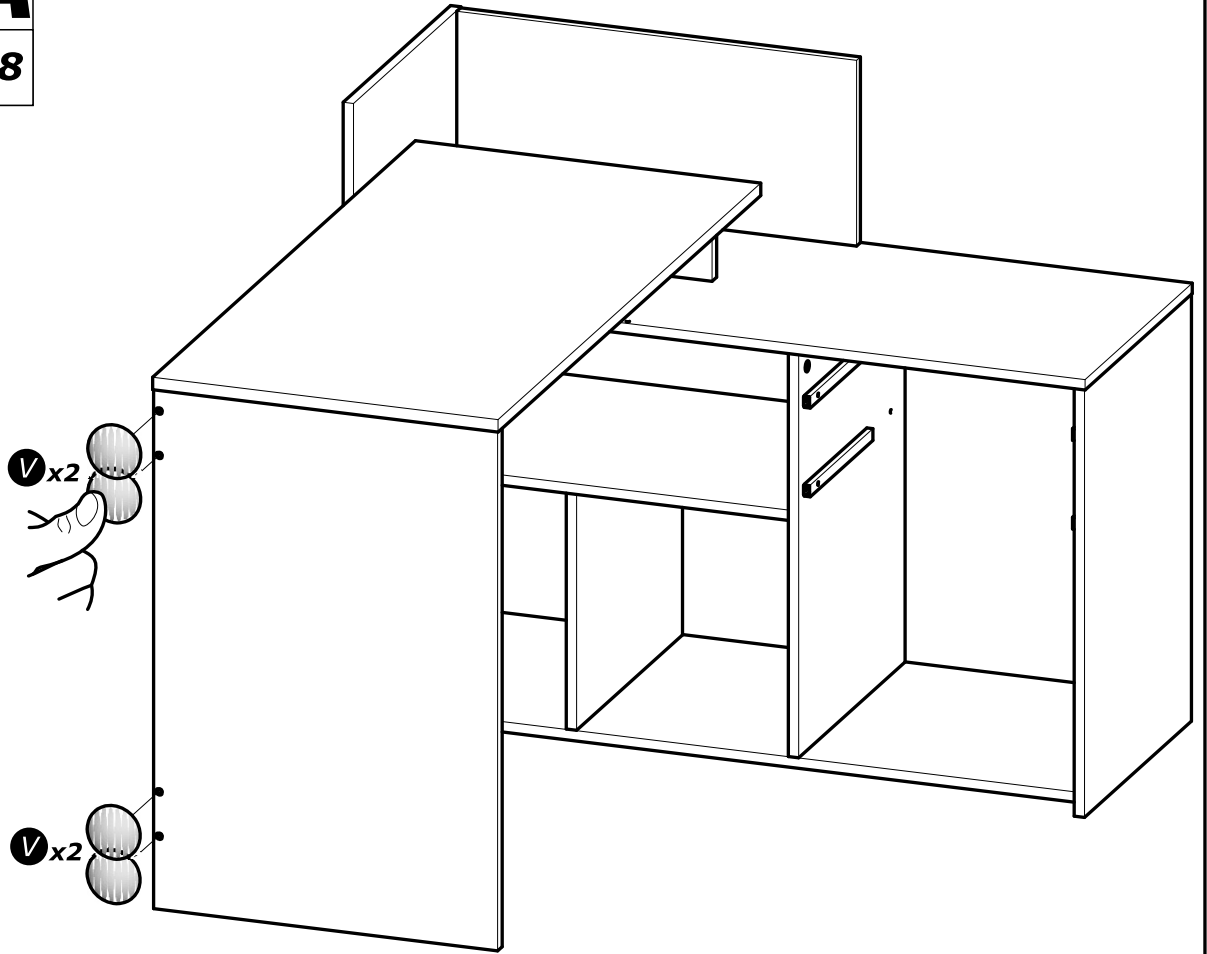
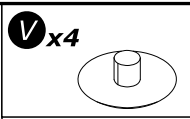
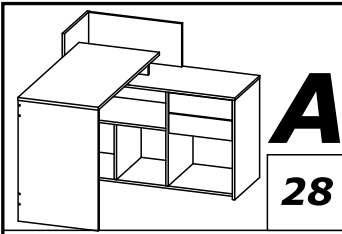


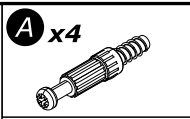
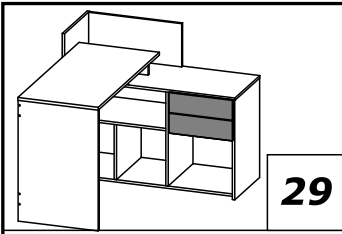




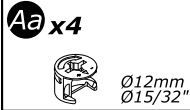
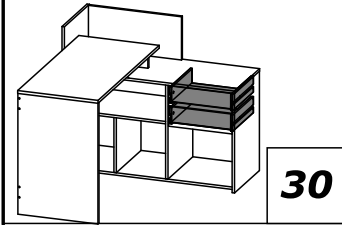
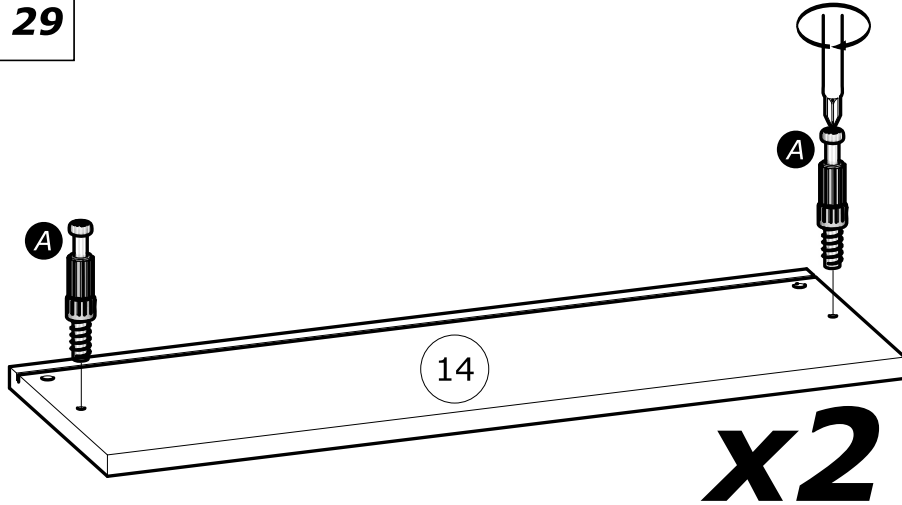




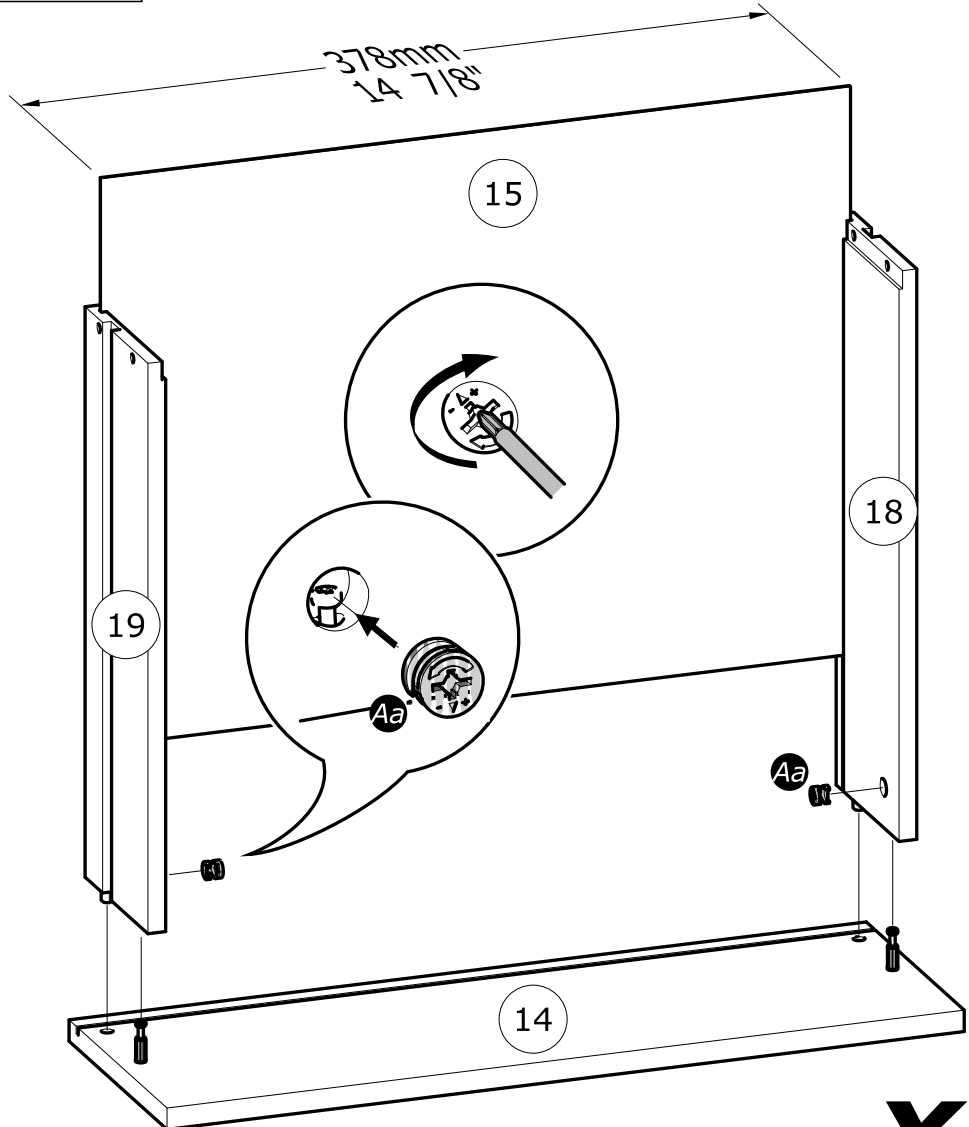


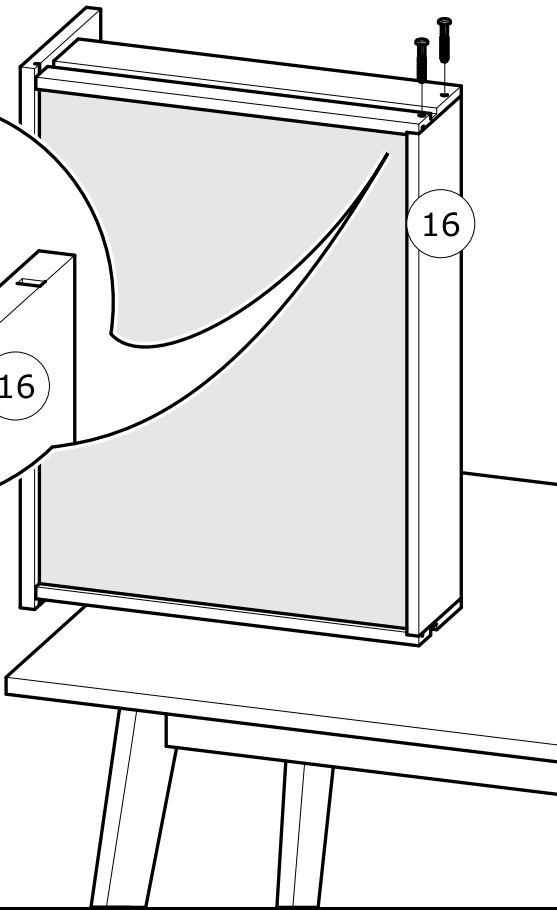
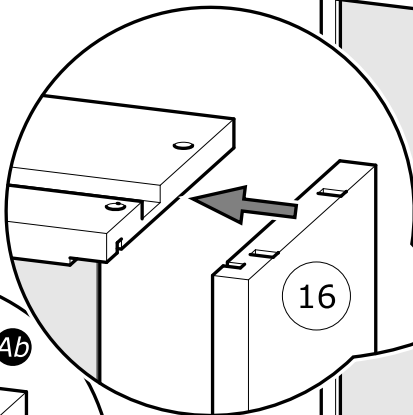
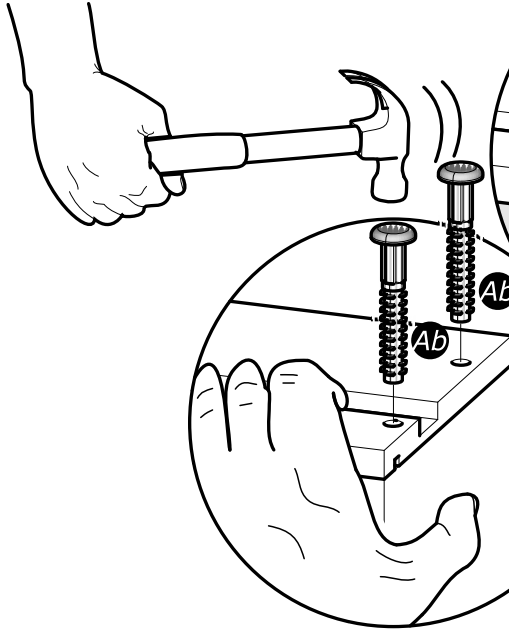
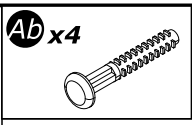
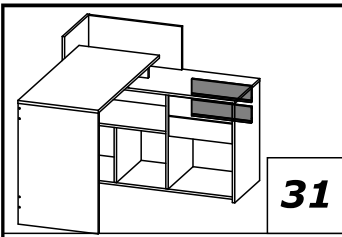


29

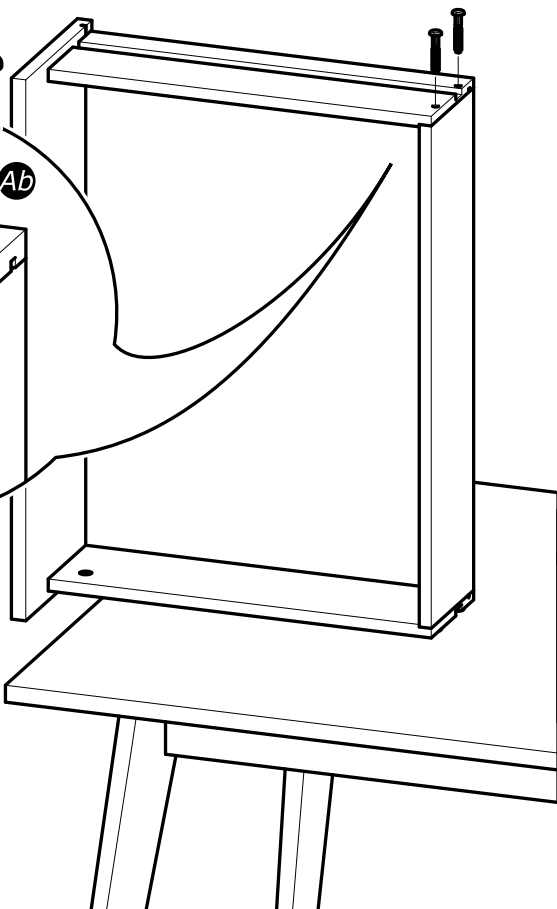
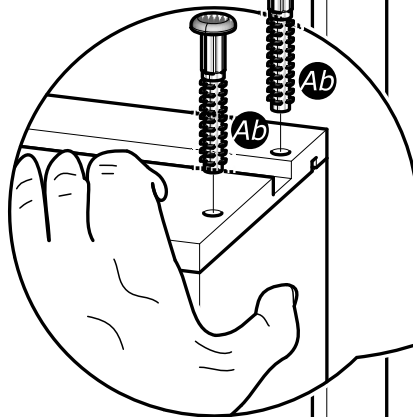
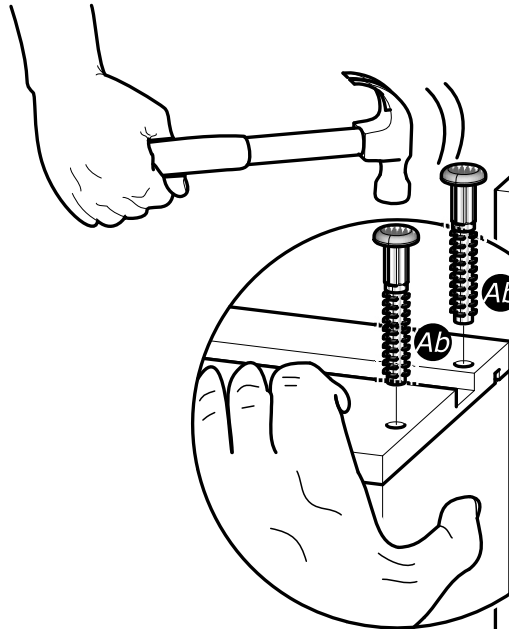
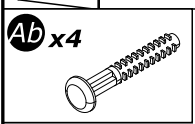
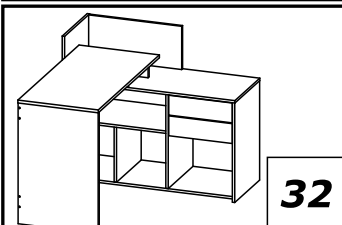


30

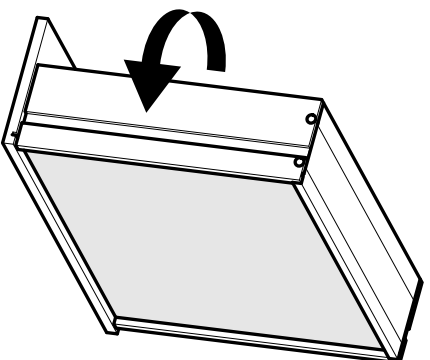


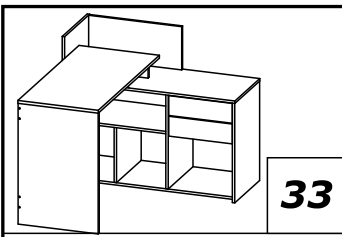


x2



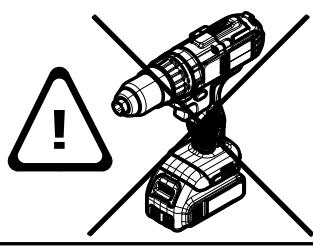
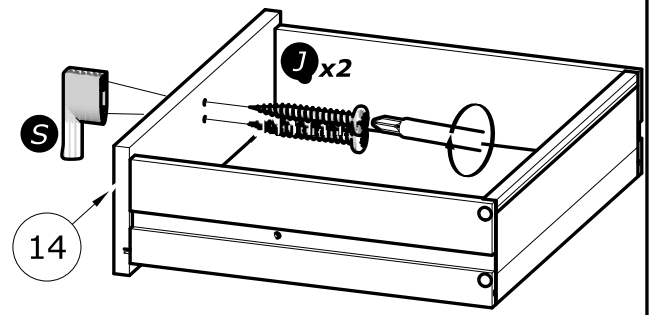
x2





J x4
4x30mm
5/32" x 1 3/16"

S x2



x2



P x4
4x9mm
5/32" x 11/32"

