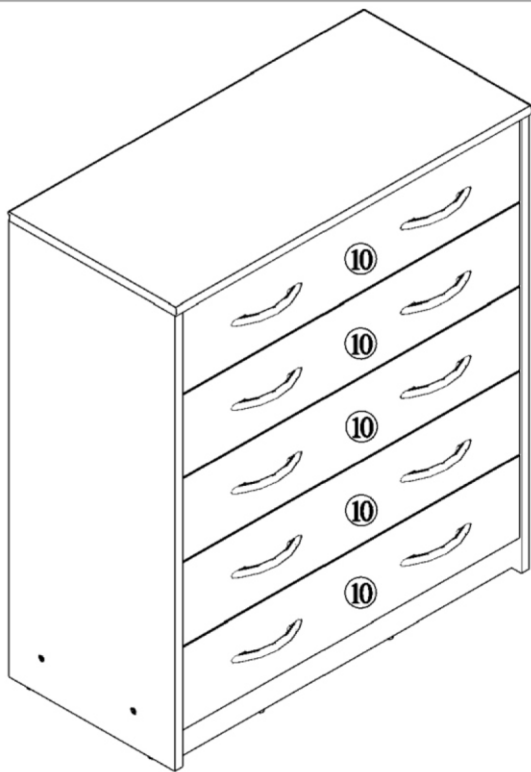
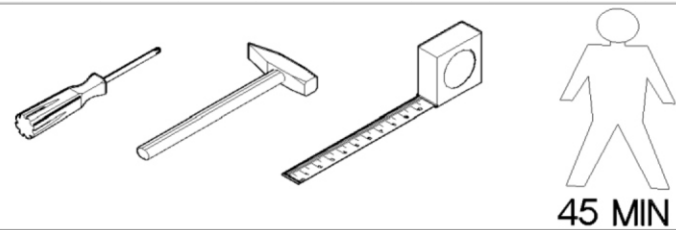


# AGNESA TYP IV.



<b>Q7</b>	<b>C</b> +7x50	<b>S1</b>	<b>H6</b> +4x40 <small>US 031.03</small>
<b>x1</b>	<b>x4</b>	<b>x4</b>	<b>x20</b>

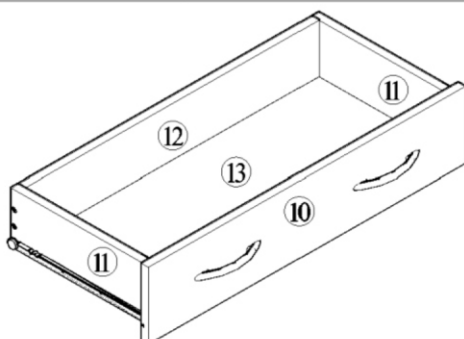
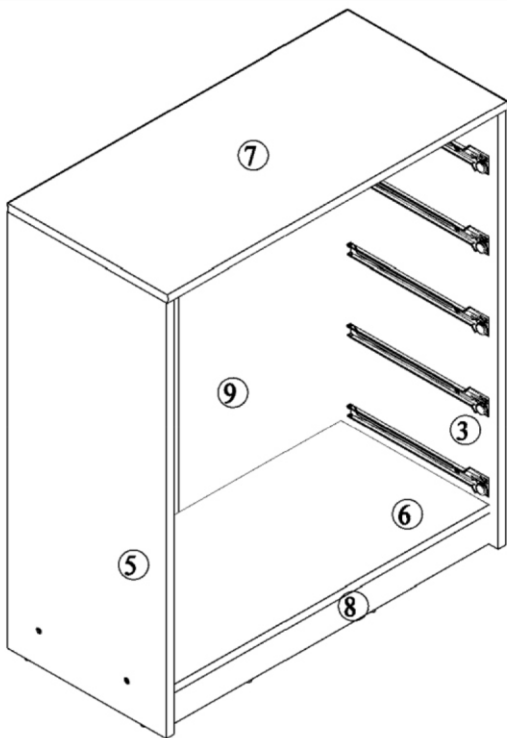
<b>W</b>	<b>E</b>
<b>x200</b>	<b>x5</b>

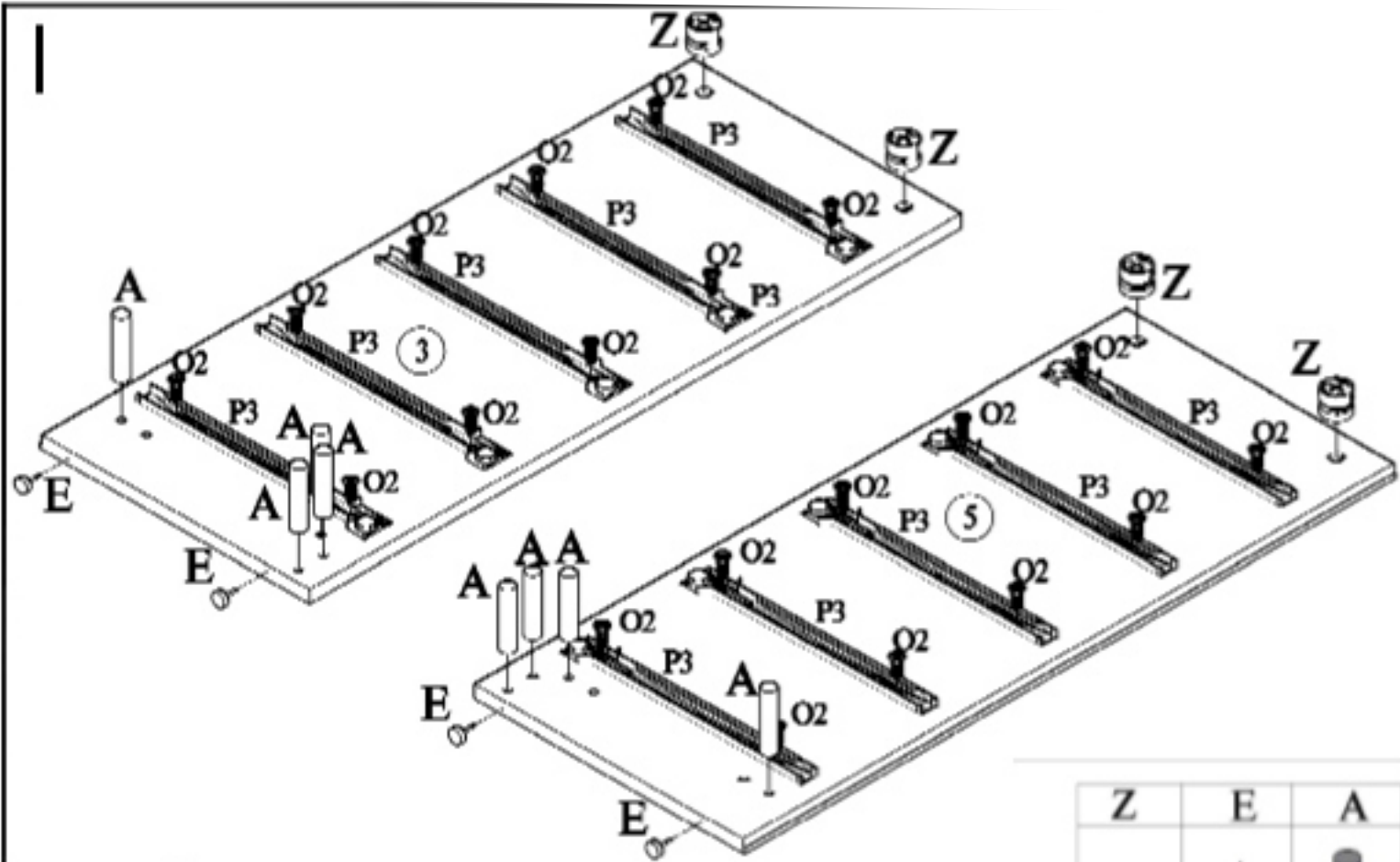
<b>P3</b>	<b>O2</b> +6x13 <small>034.05</small>	<b>H</b> +3,5x13 <small>US 031.03</small>
<b>x10</b>	<b>x20</b>	<b>x20</b>

<b>A</b>	<b>glue</b>
<b>x32</b>	<b>x3</b>

<b>Z</b>	<b>D1</b> <small>L=29mm</small>
<b>x4</b>	<b>x4</b>

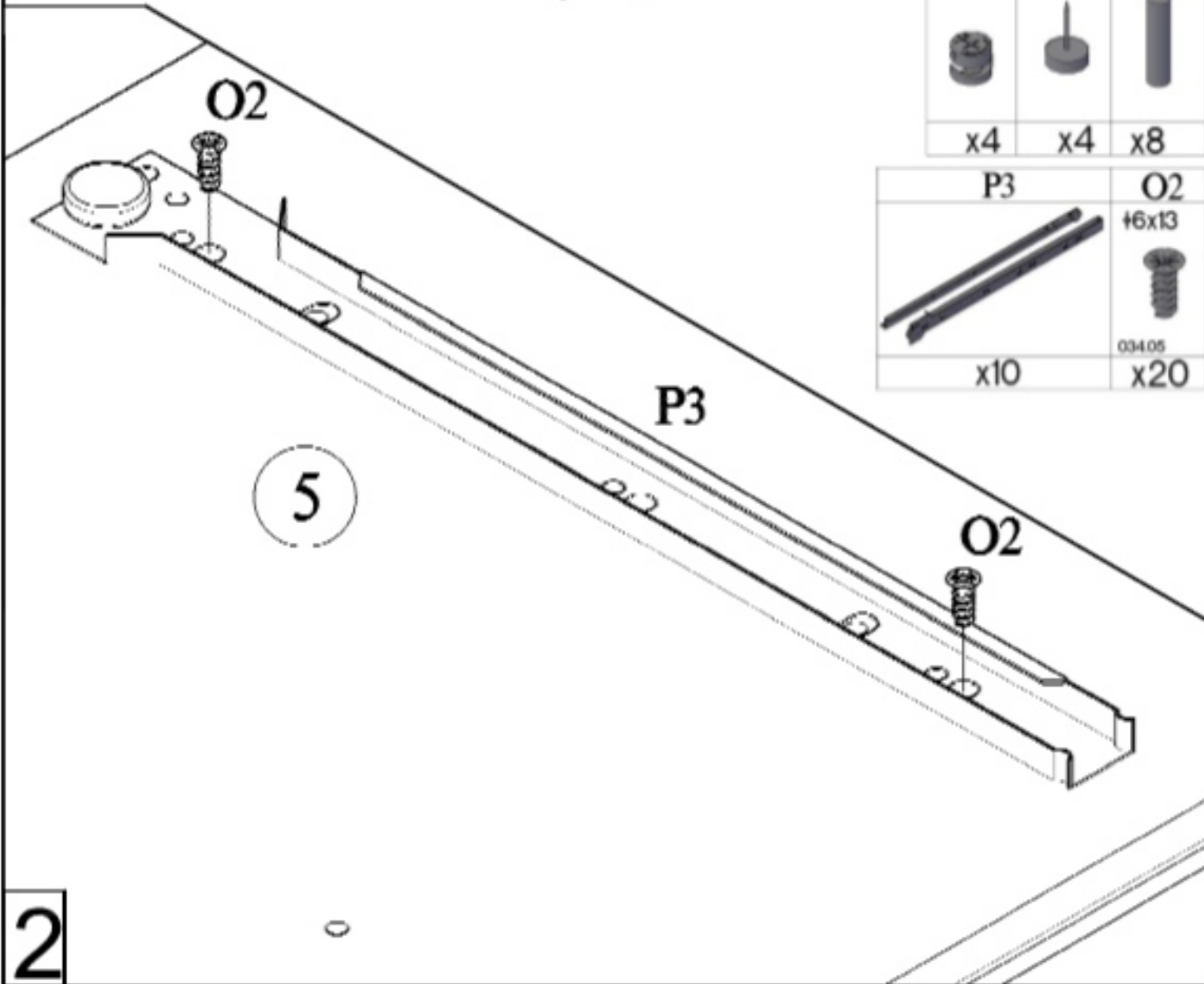
<b>J7</b> +3x30	<b>J8</b>
<b>x20</b>	<b>x10</b>



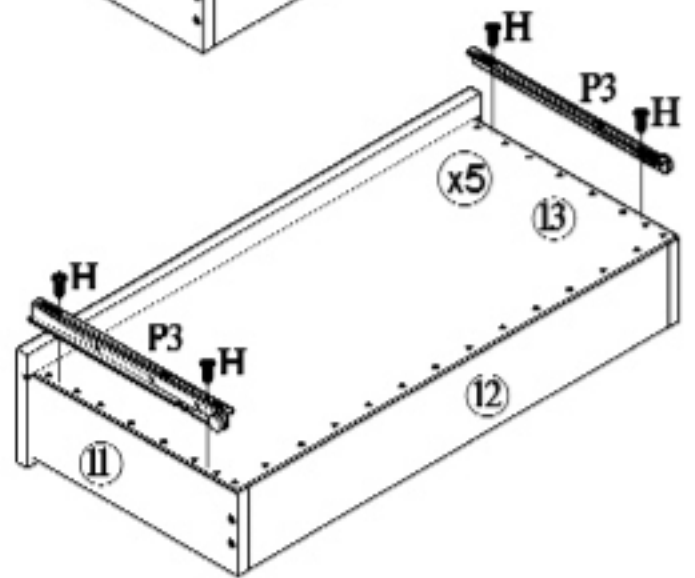
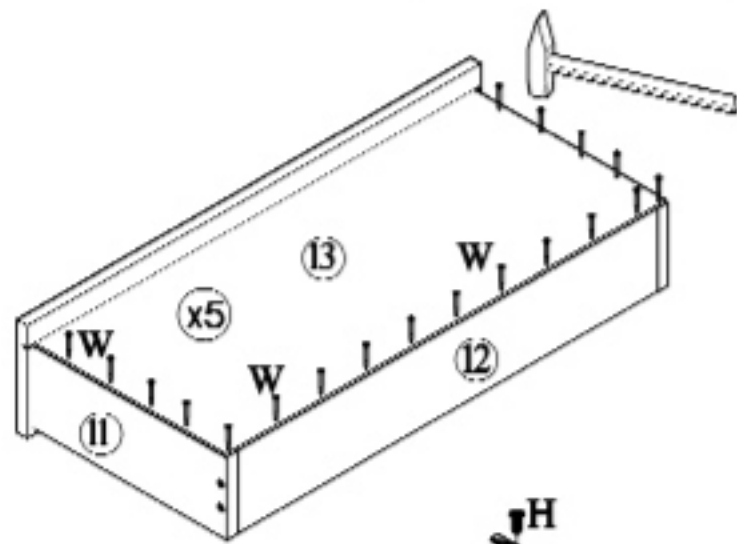
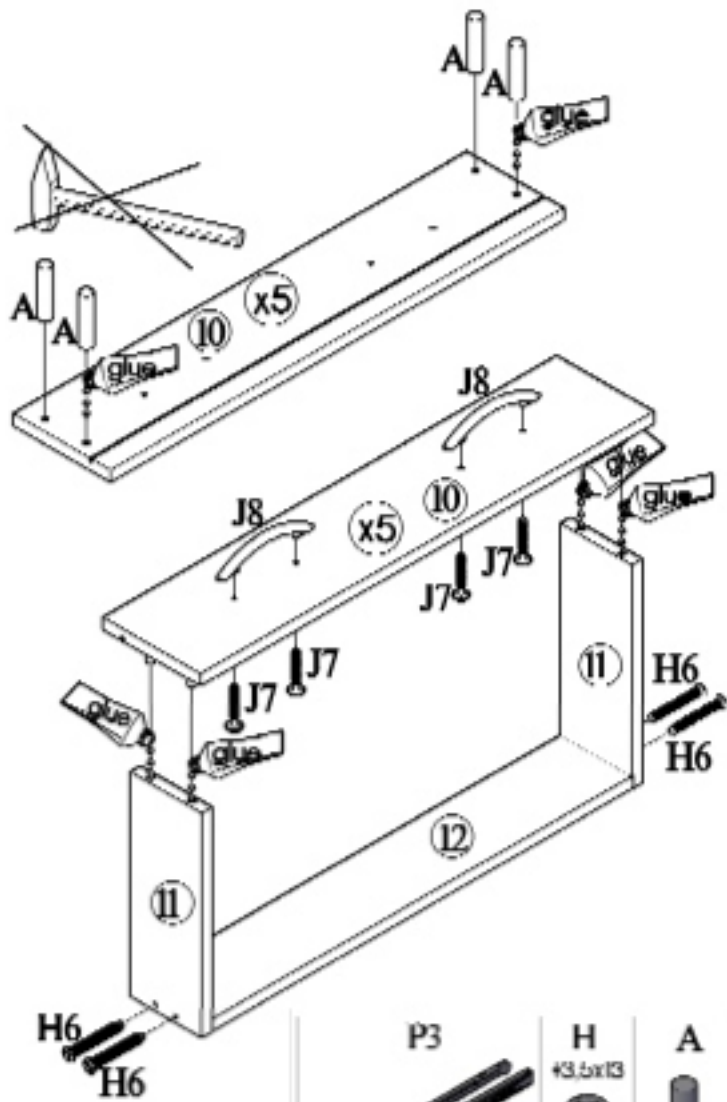


Z	E	A
x4	x4	x8

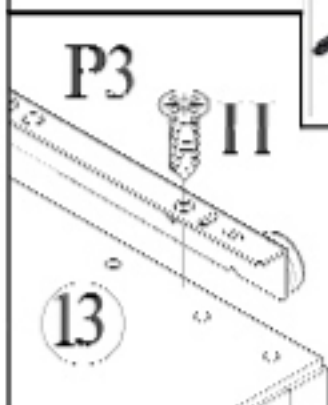
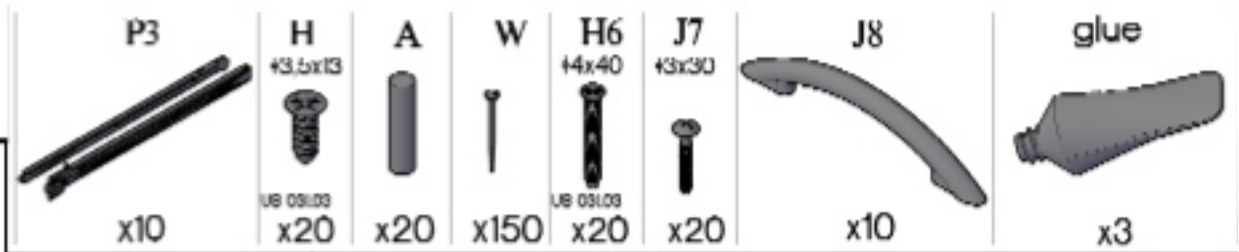
P3	O2
x10	+6x13 034.05 x20



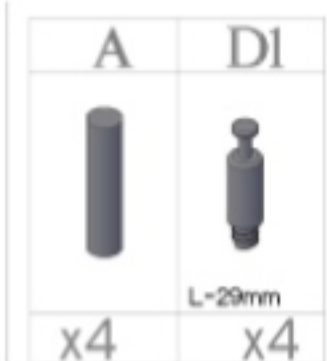
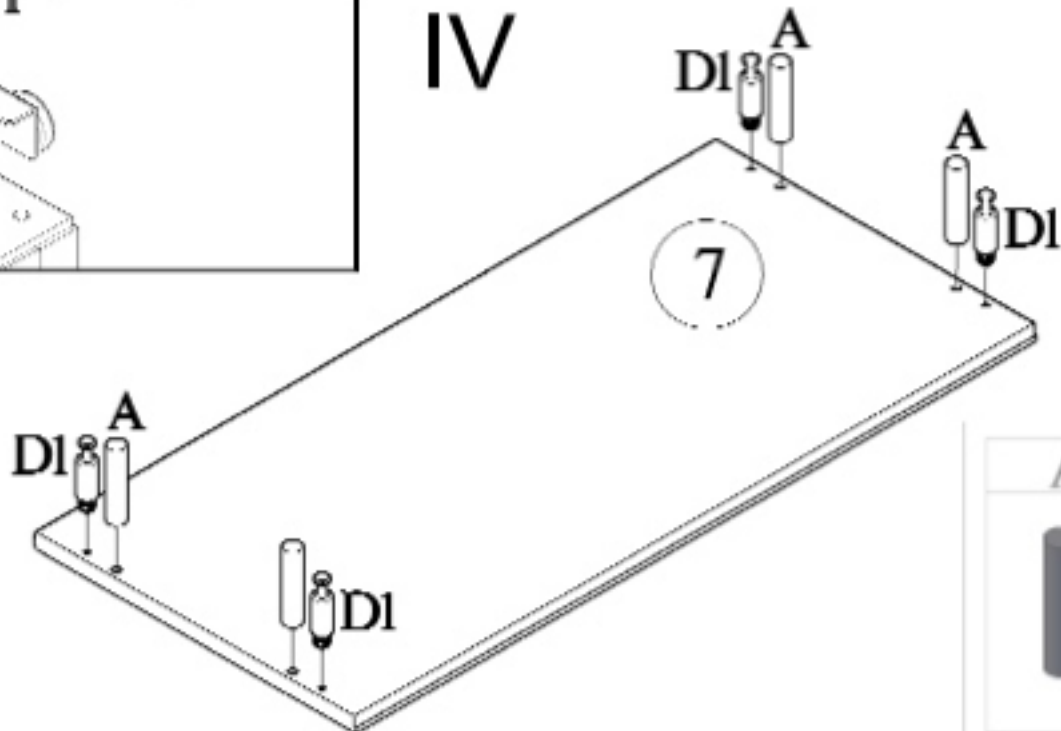
III







H6  
H6



IV



3

E	Q7	C	SI
			
x1	x1	x4	x4

