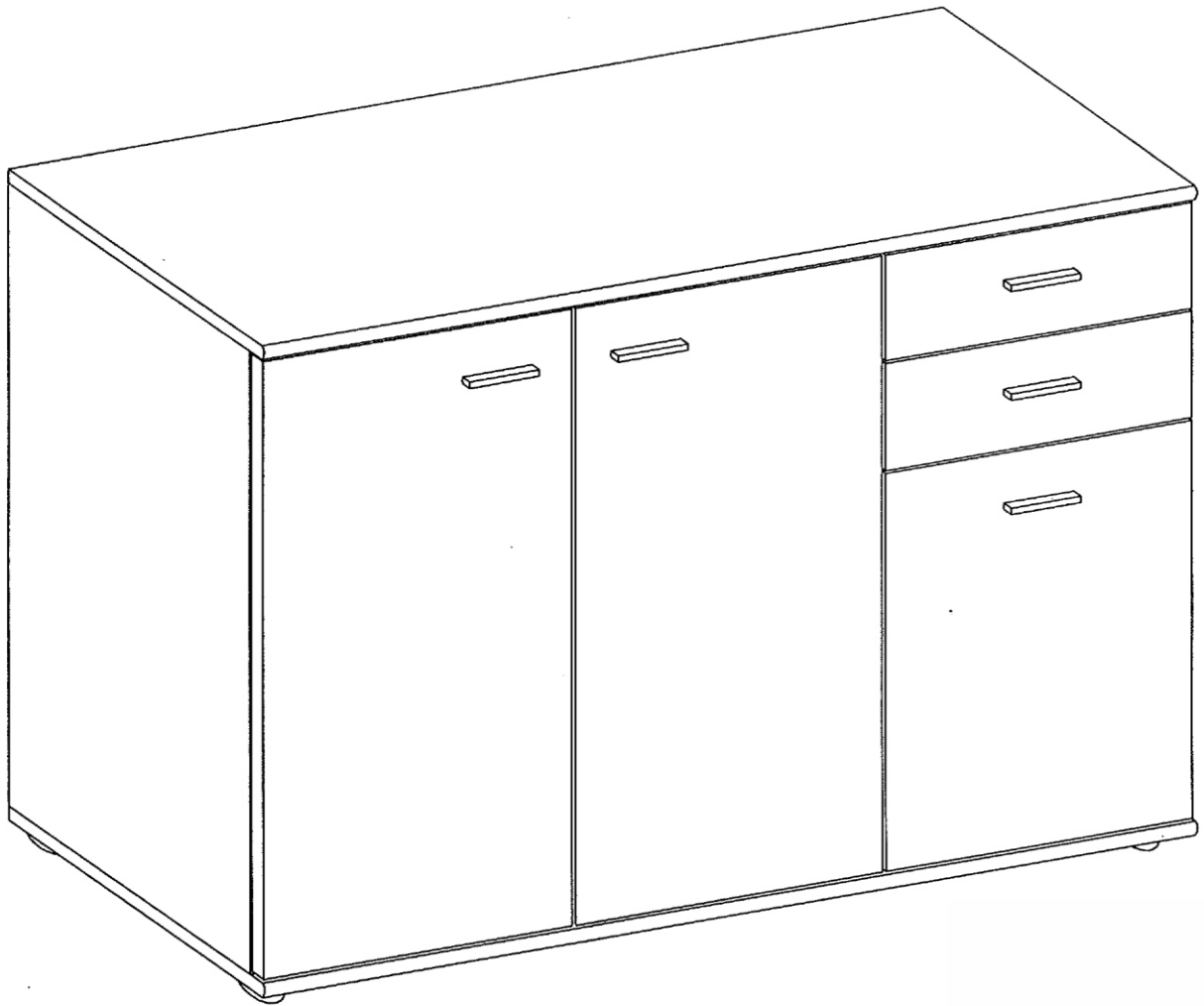
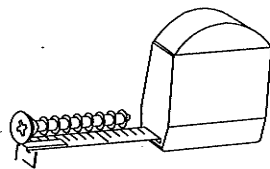
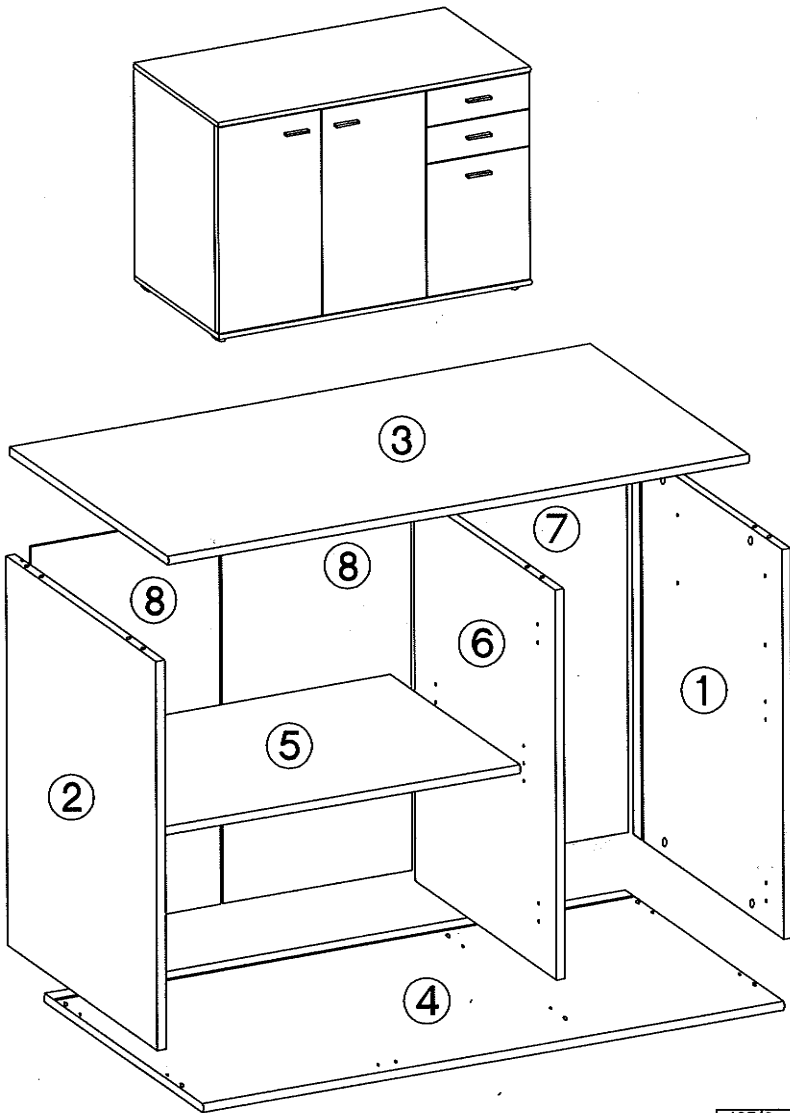
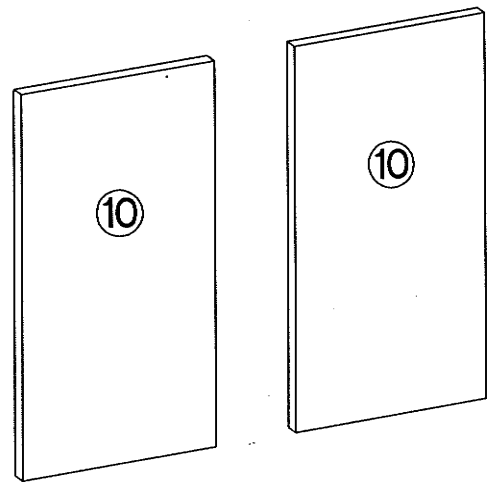
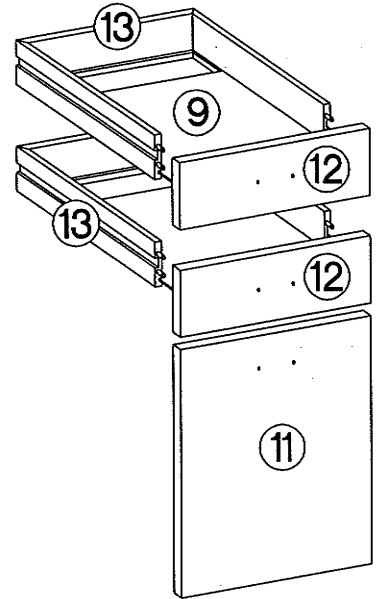
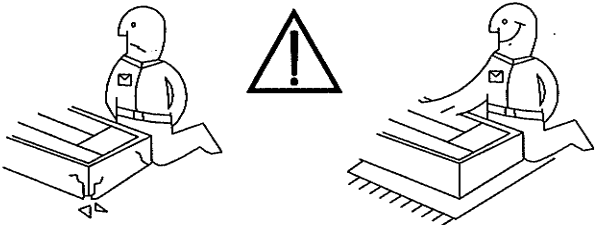
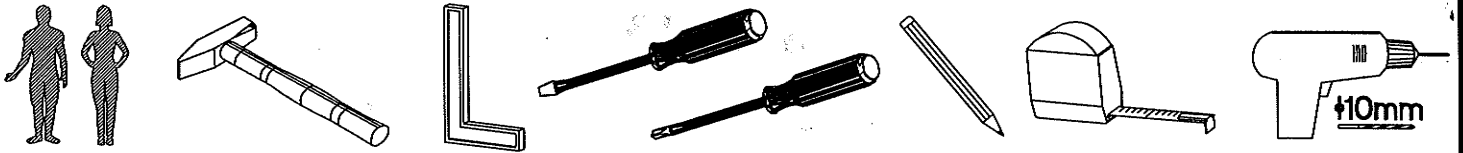










TAMPA

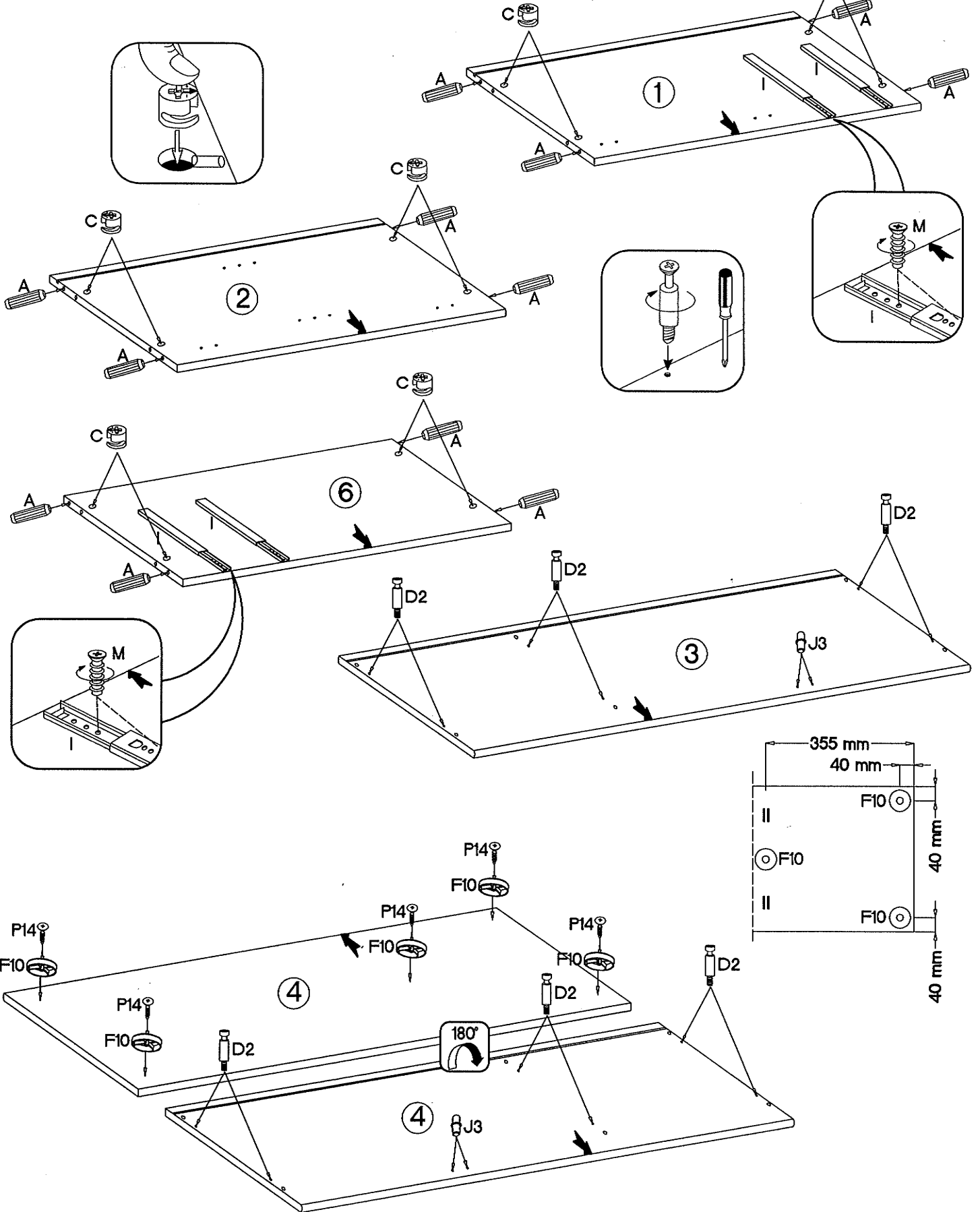




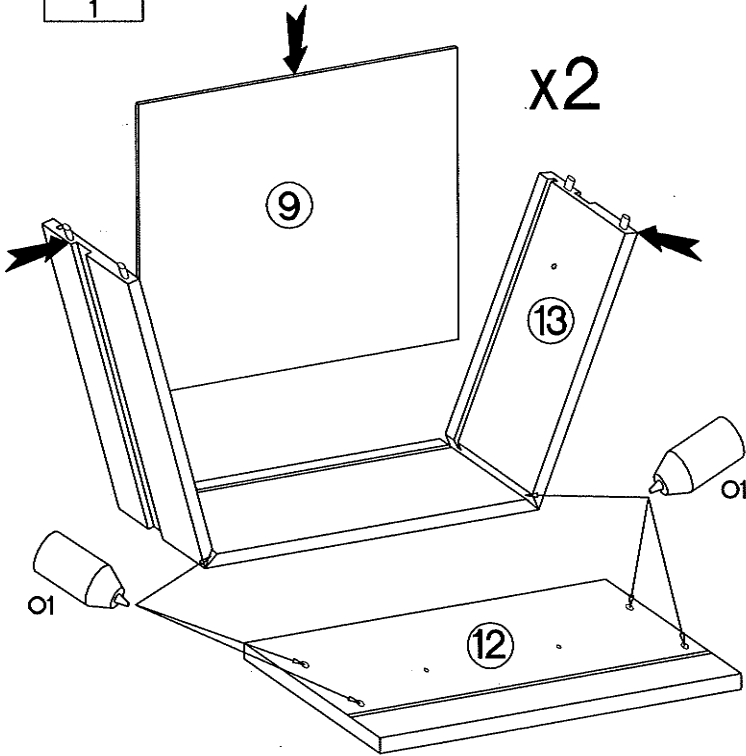
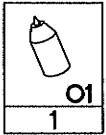
$\varnothing 35/0\text{mm}$	L-248/17mm	$\varnothing 4.0 \times 30\text{mm}$				$\varnothing 3.0 \times 20\text{mm}$
4	2	10	5	8	10	5
$\varnothing 3.5 \times 13\text{mm}$		$\varnothing 35/9\text{mm}$	$\varnothing 4.0 \times 25\text{mm}$		M4x9mm	$\varnothing 10 \times 50\text{mm}$
13	6	2	5	5	4	1
L-64 mm	L-698mm	$\varnothing 5.0 \times 13\text{mm}$	$\varnothing 8 \times 30\text{mm}$	L-20mm	$\varnothing 15/12\text{mm}$	
5	1	8	12	12	12	8
						1

1.

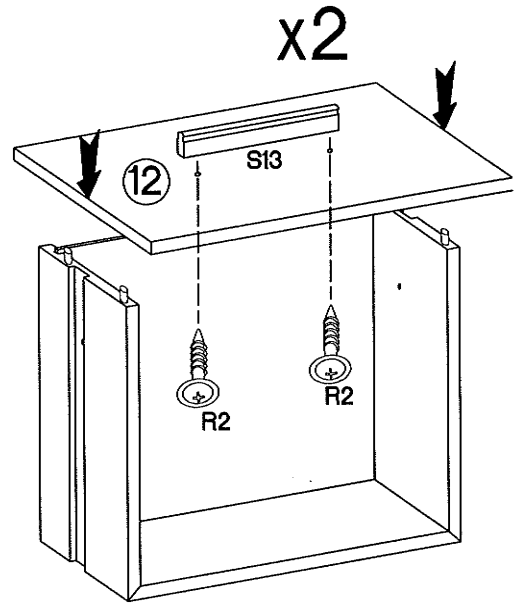
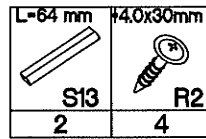
							
A	D2	C	P14	F10	I	M	J3
12	12	12	5	5	2	8	4



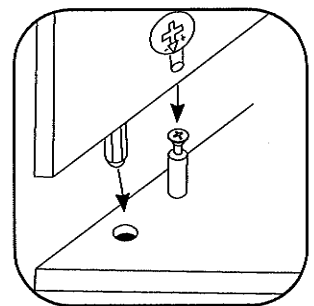
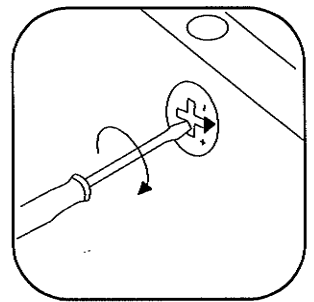
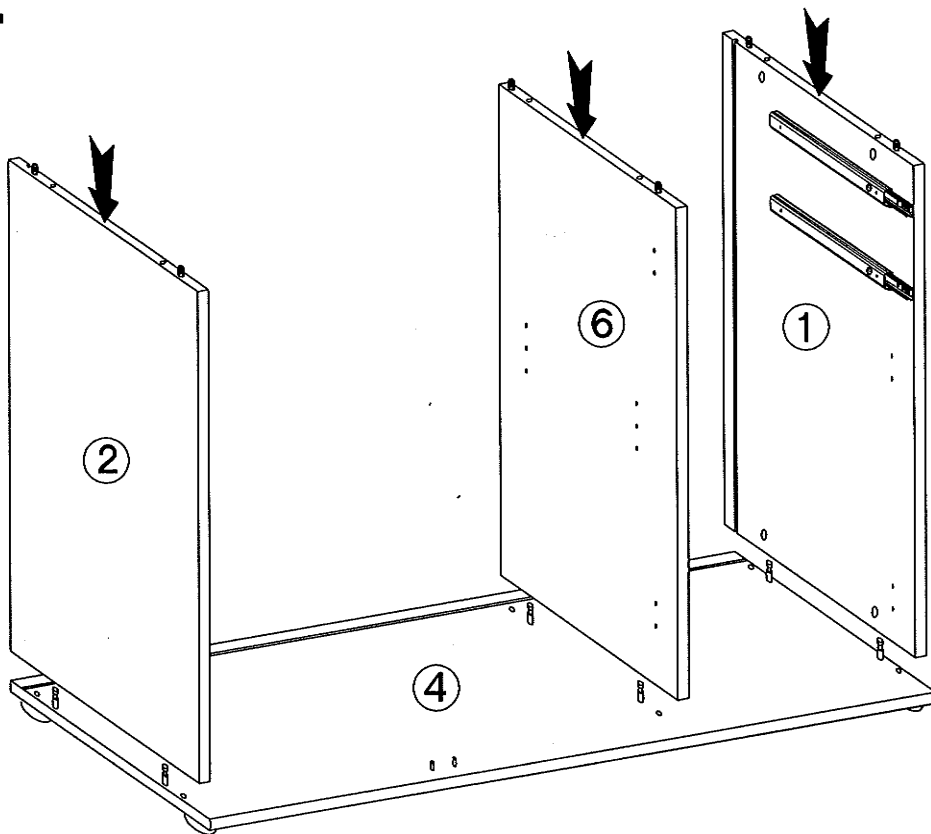
2.



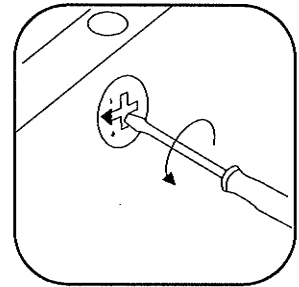
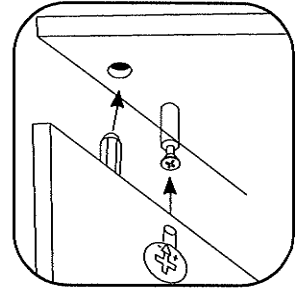
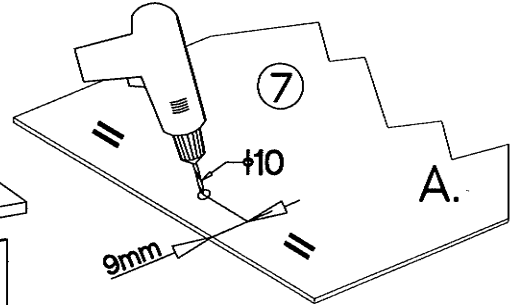
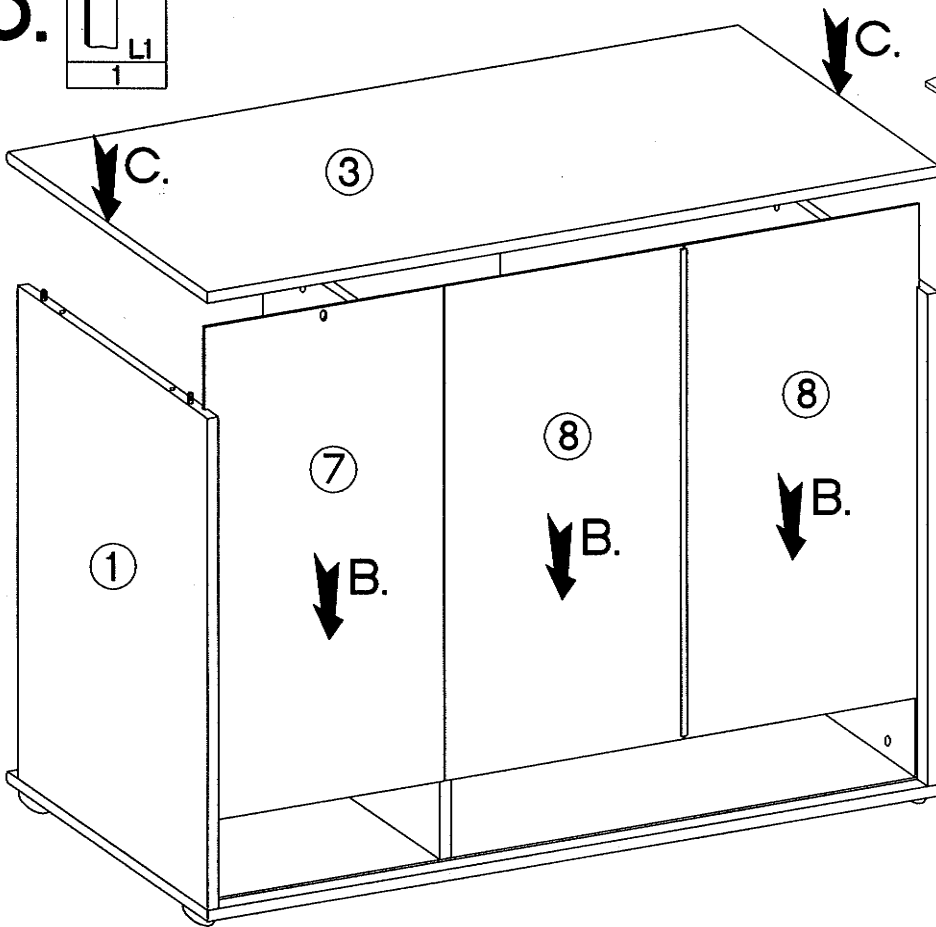
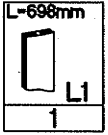
3.



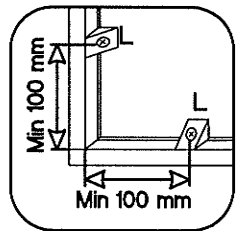
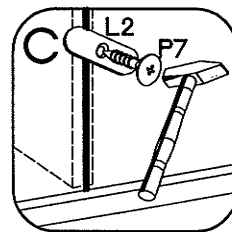
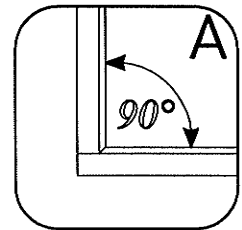
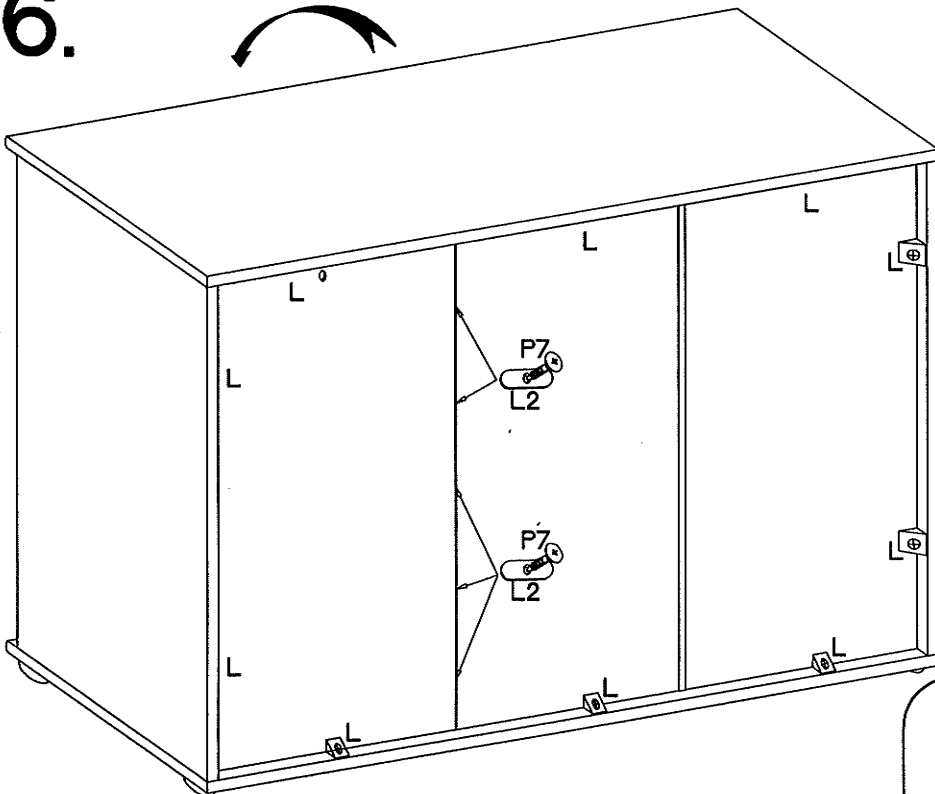
4.



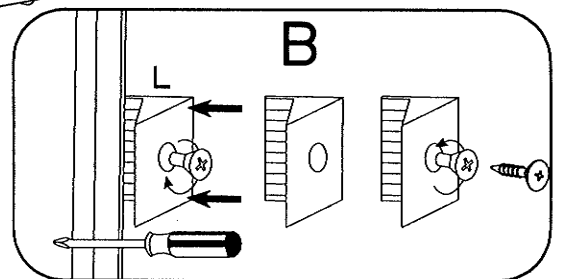
5.



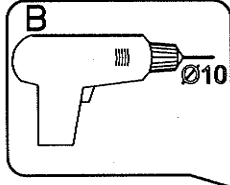
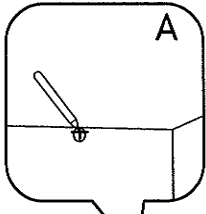
6.



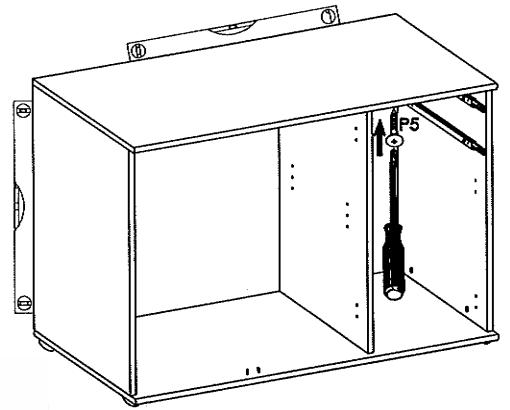
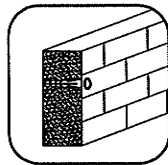
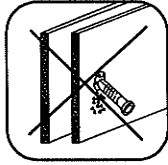
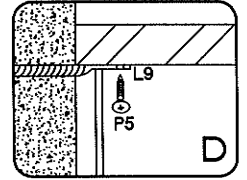
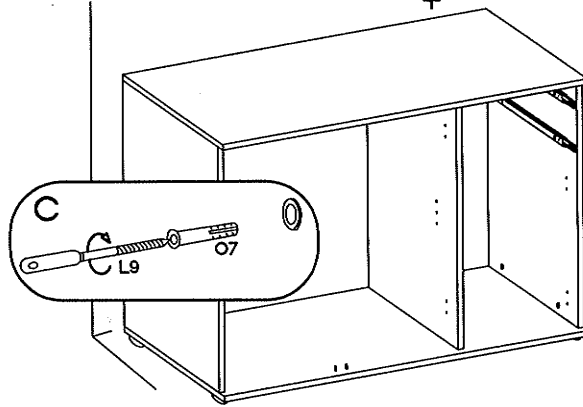
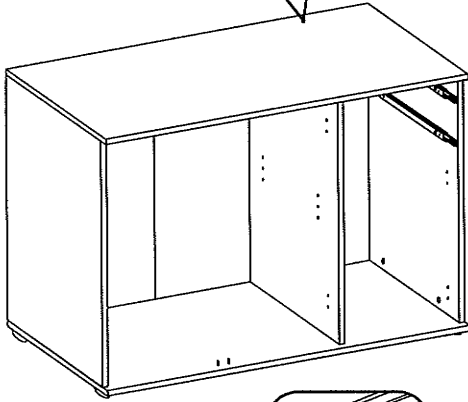
L	P7	L2
10	5	5



7.

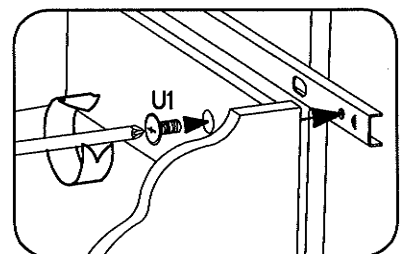
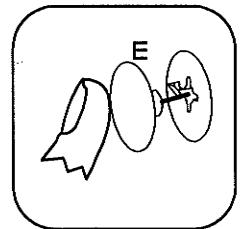
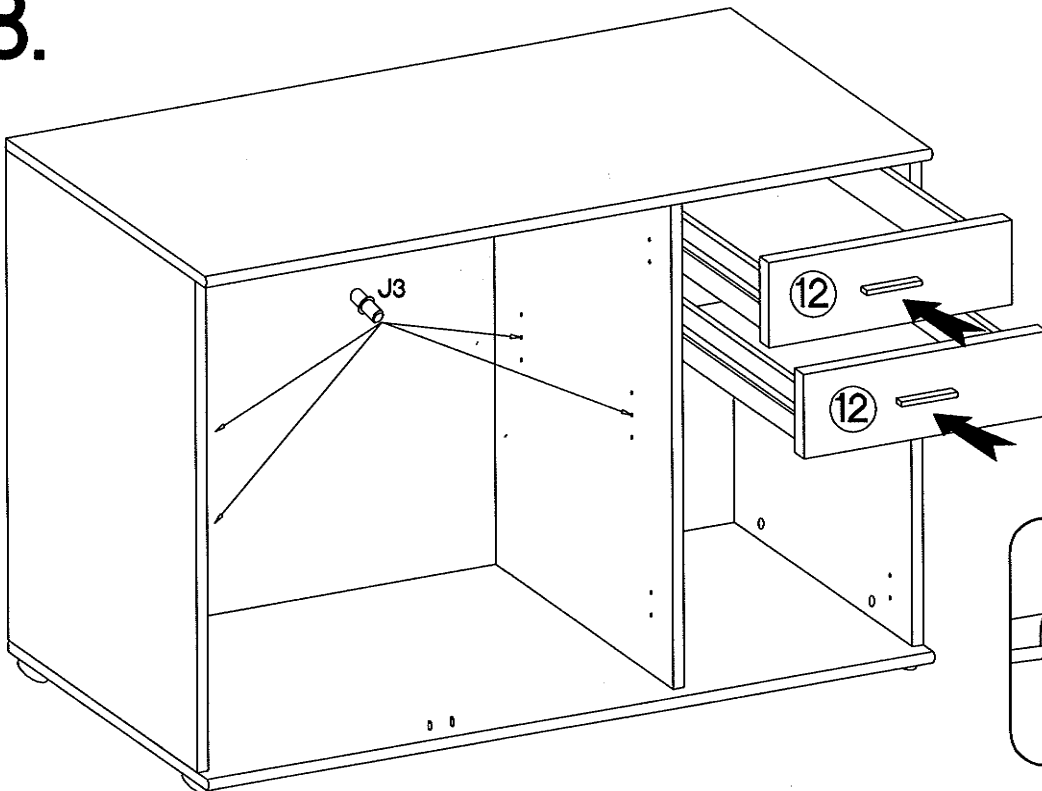


Ø3.5x13mm P5 1	Ø10x50mm O7 1	L9 1
----------------------	---------------------	---------







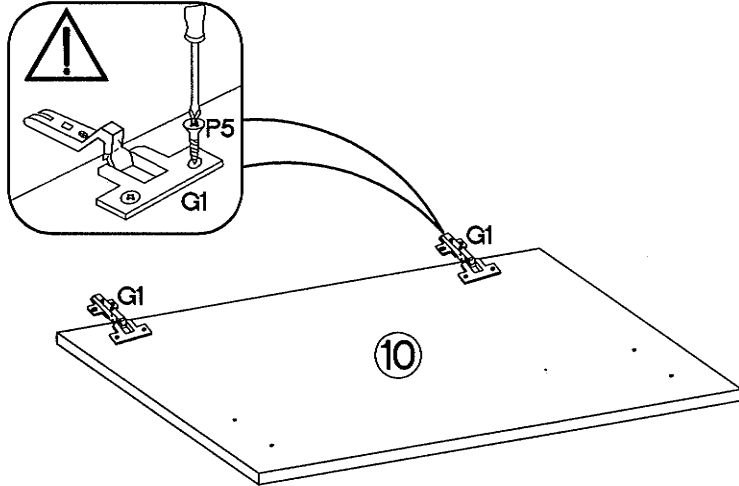
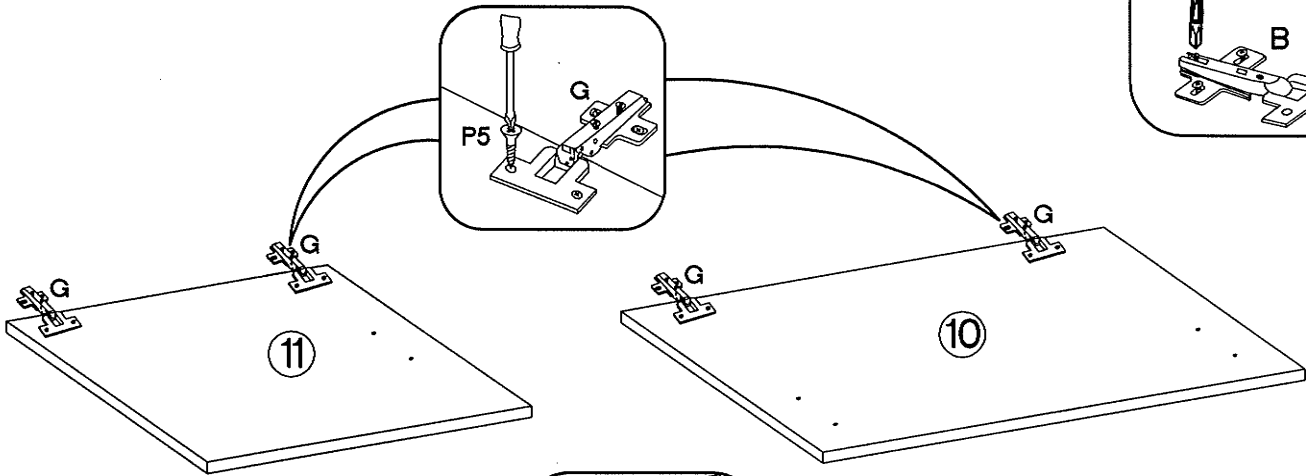
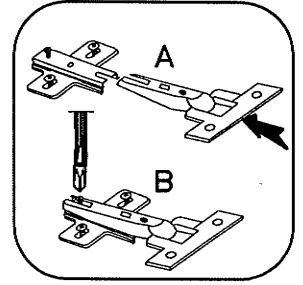
8.

J3 4	M4x9mm U1 4	E 8
---------	-------------------	--------

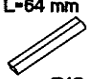



9.

Ø3.5x13mm		Ø3.5/9mm	Ø3.5/0mm
			
P5	H	G1	G
12	6	2	4



10.

L=64 mm	4,0x30mm
	
S13	R2
3	6

