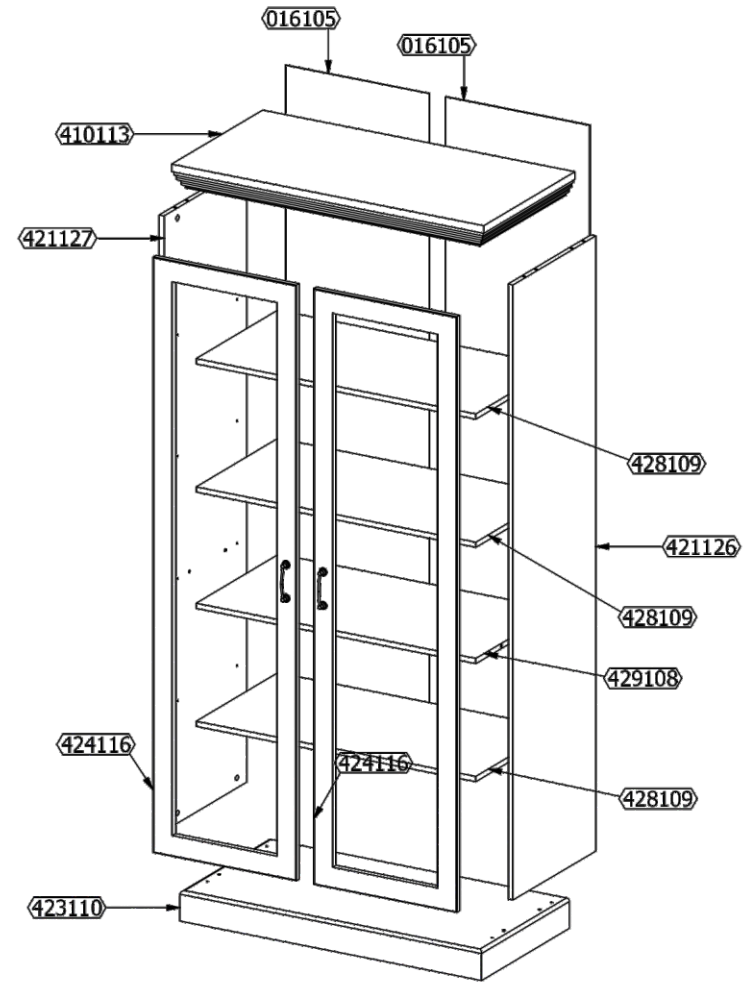
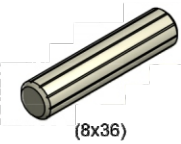

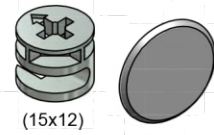

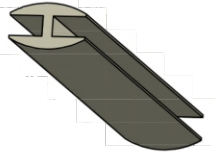


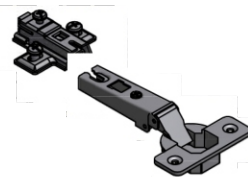
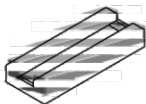
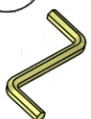

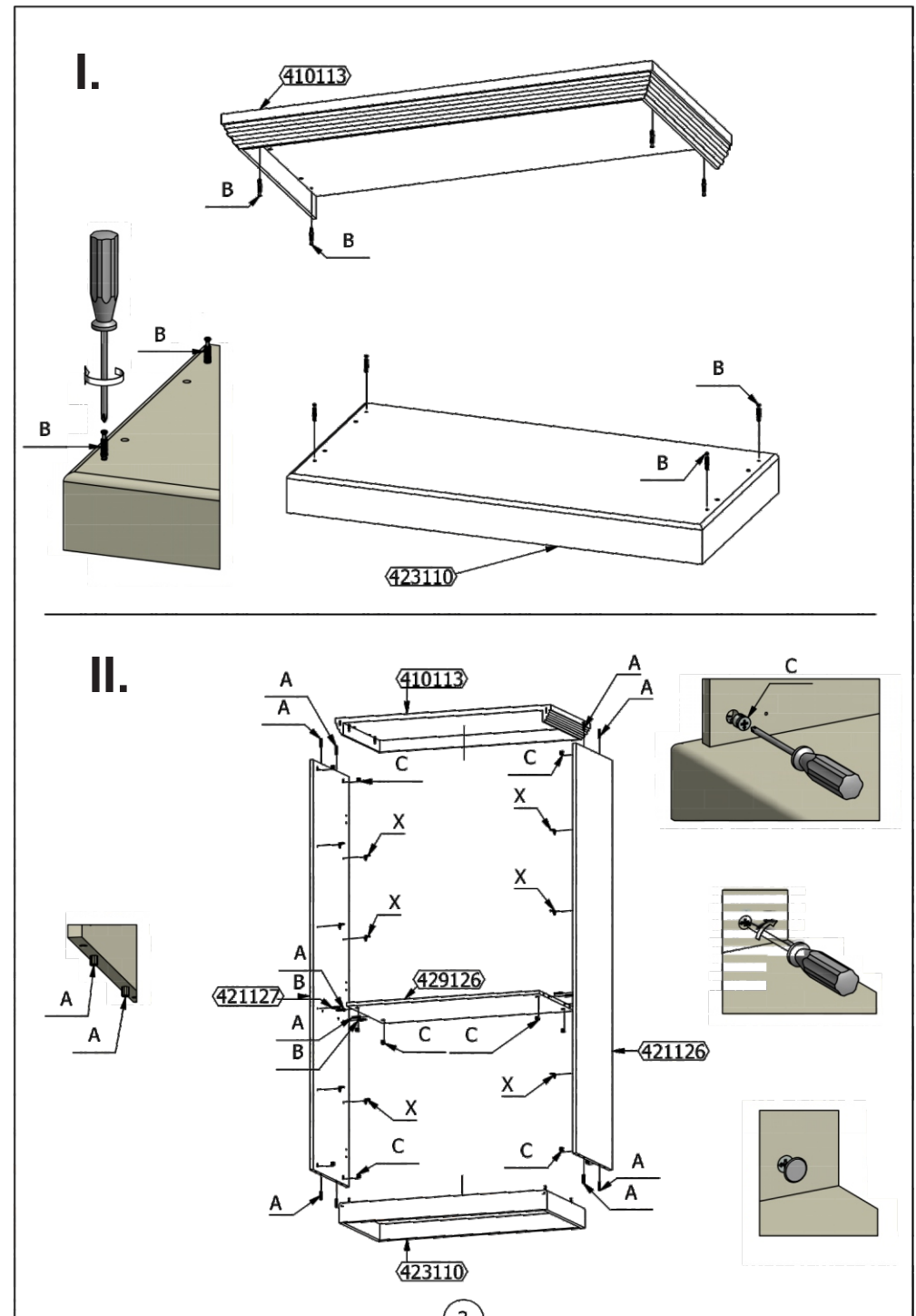


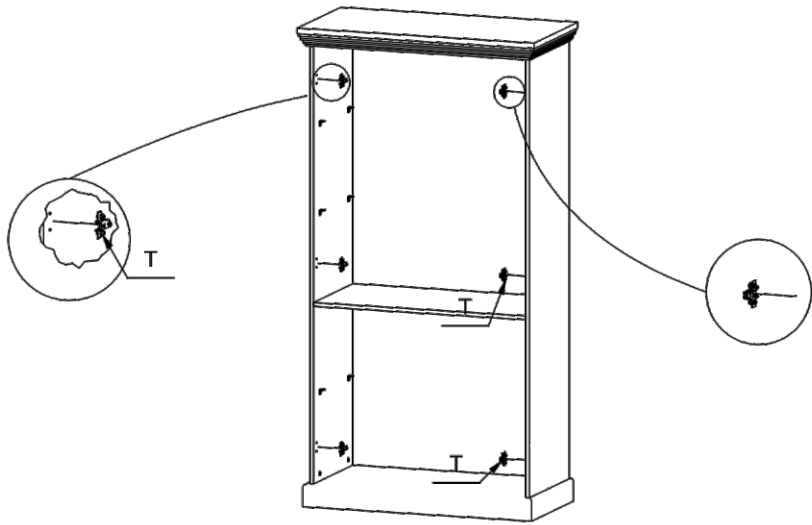
ROYAL WS



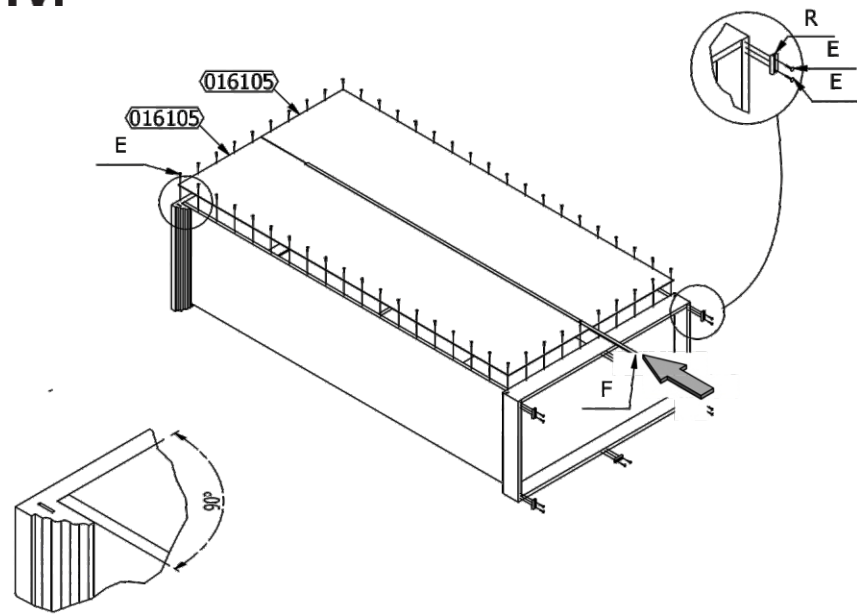
<p>A x 12</p>  <p>(8x36)</p>	<p>B x 12</p> 
<p>C x 12</p>  <p>(15x12)</p>	<p>E x 80</p> 
<p>F x 1</p> 	<p>H x 12</p>  <p>(3,5 x 16)</p>
<p>X x 12</p> 	<p>T/T1 x 6</p> 
<p>R x 6</p> 	<p>Z x 1</p> 
<p>W x 2</p> 	



III.

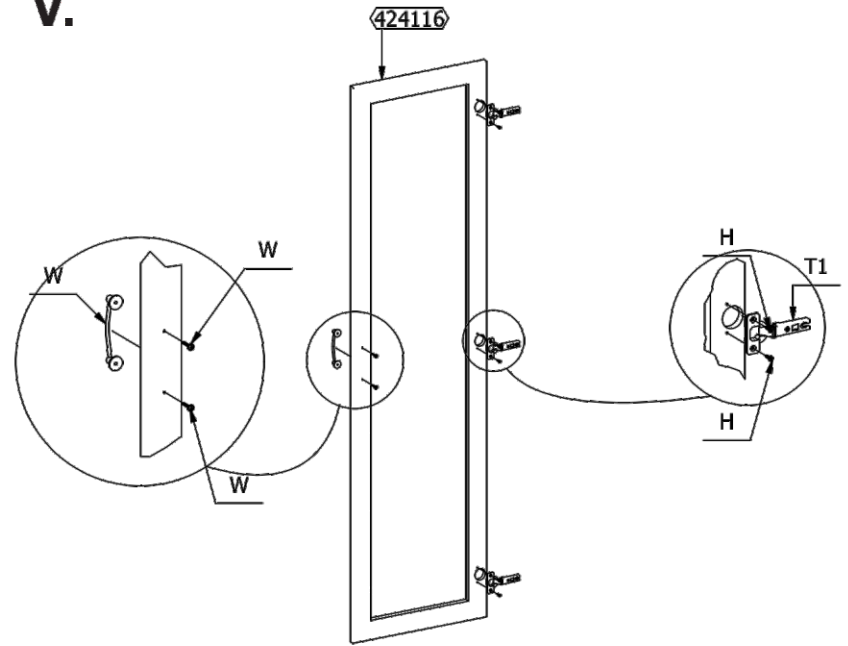


IV.

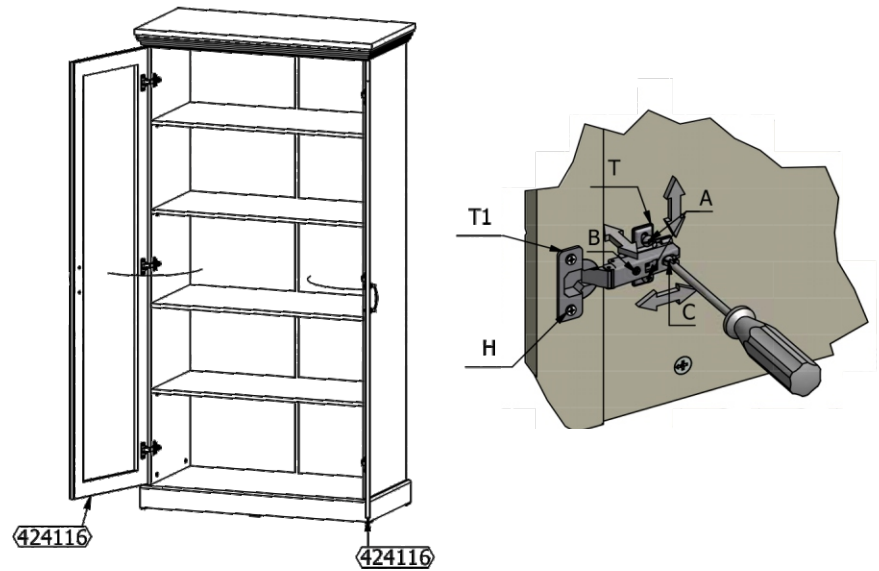


4

V.



VI.



5