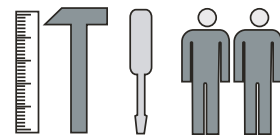
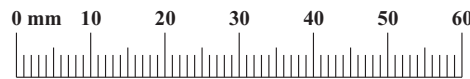
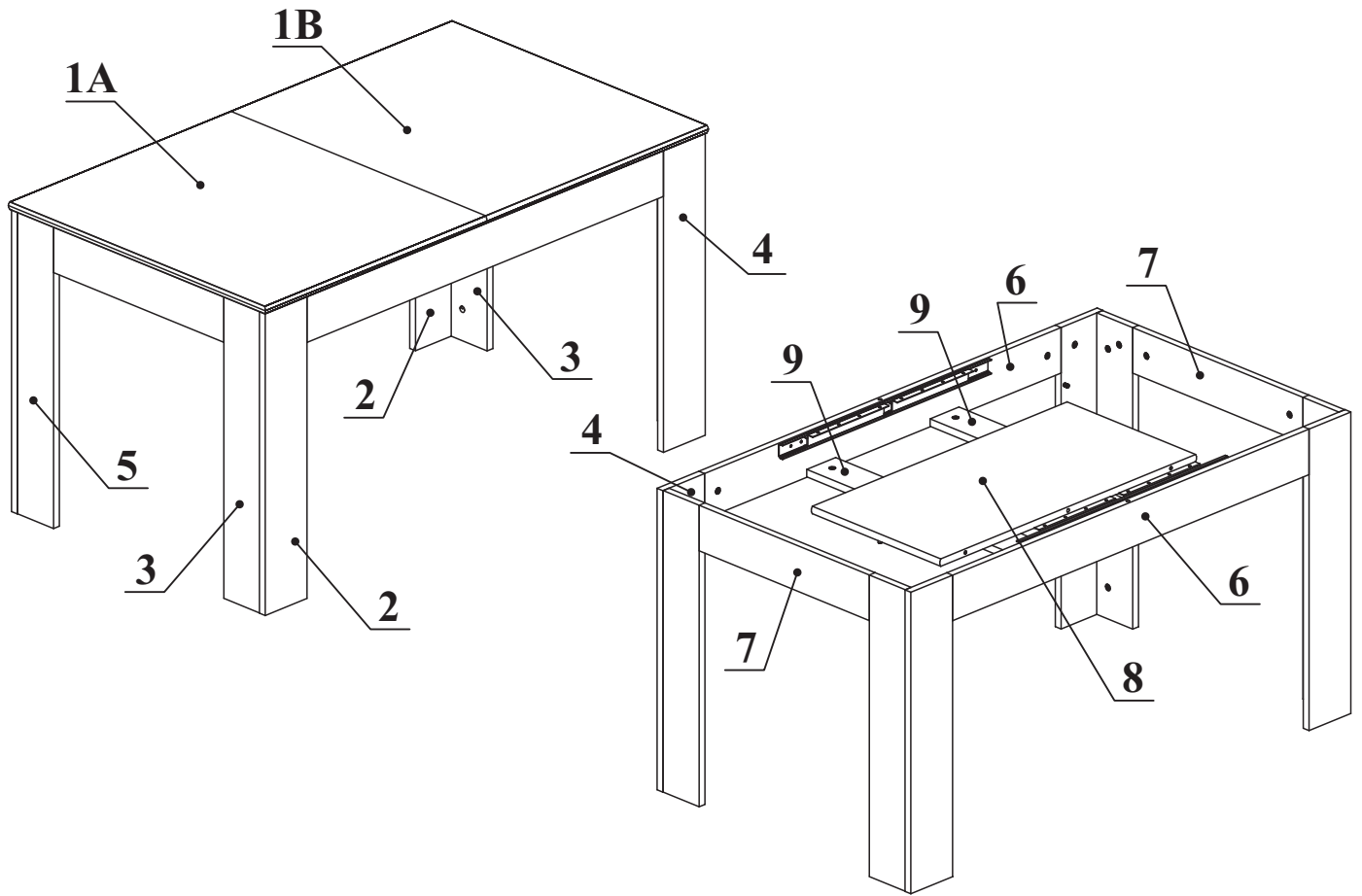
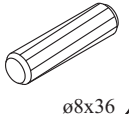

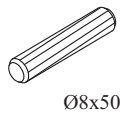
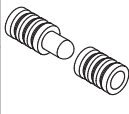
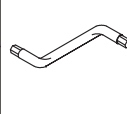
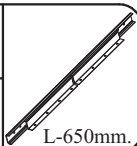


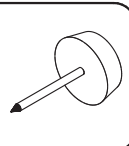
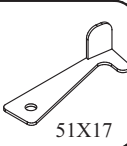

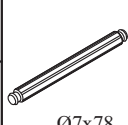
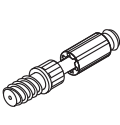

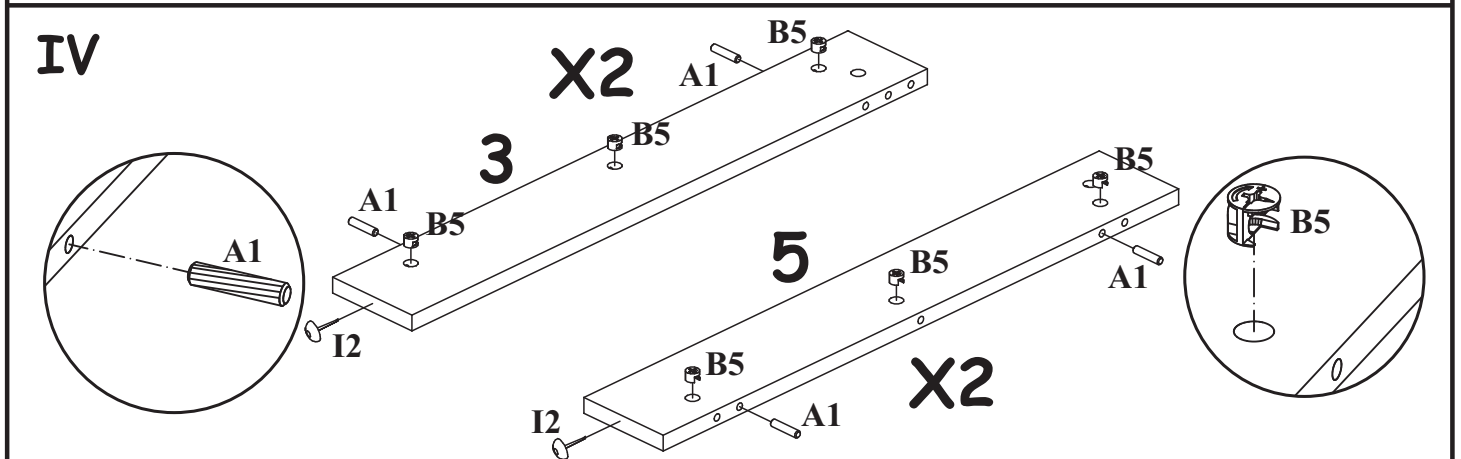
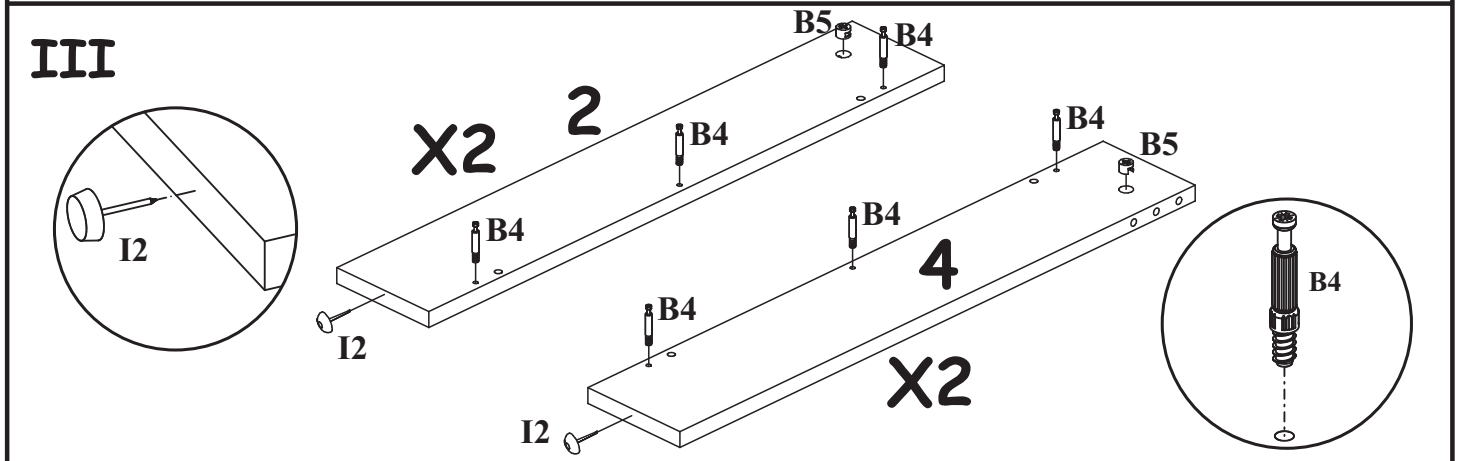
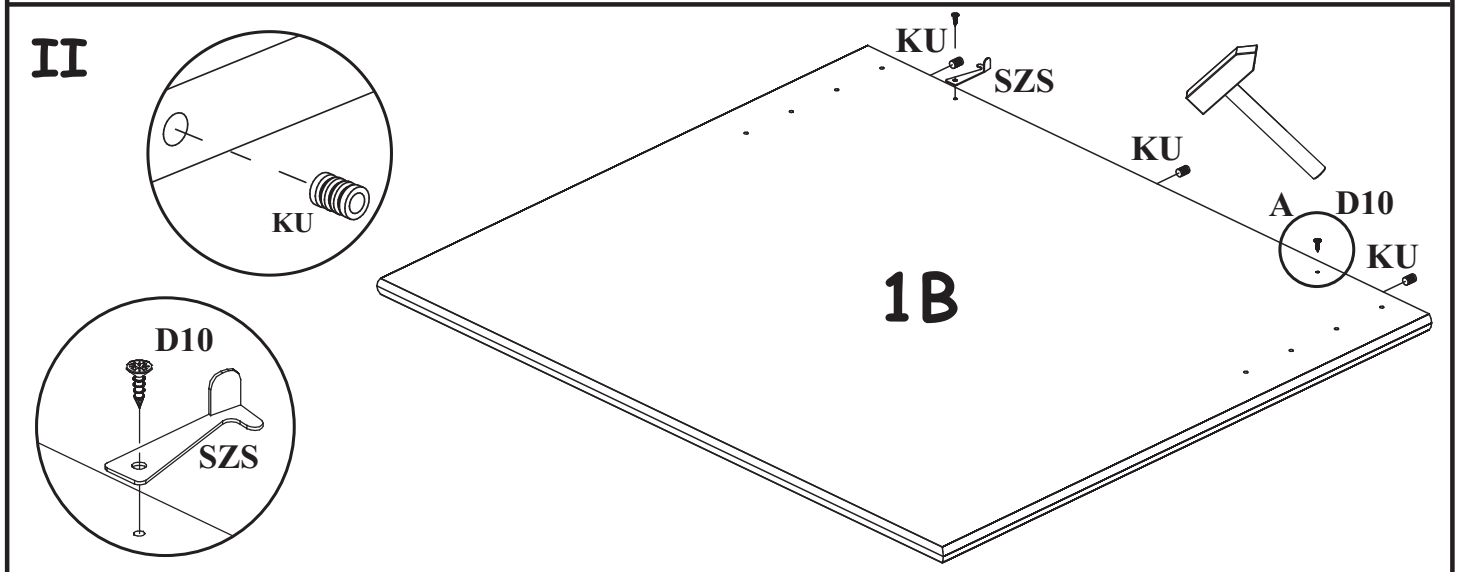
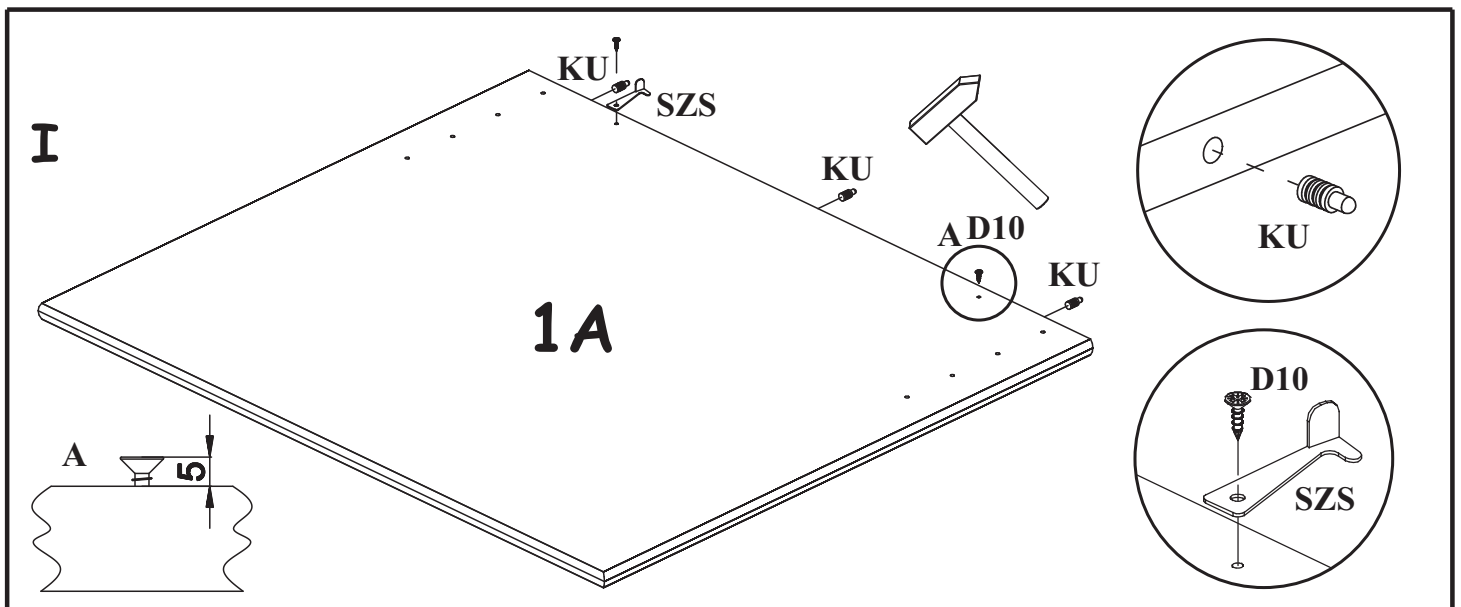


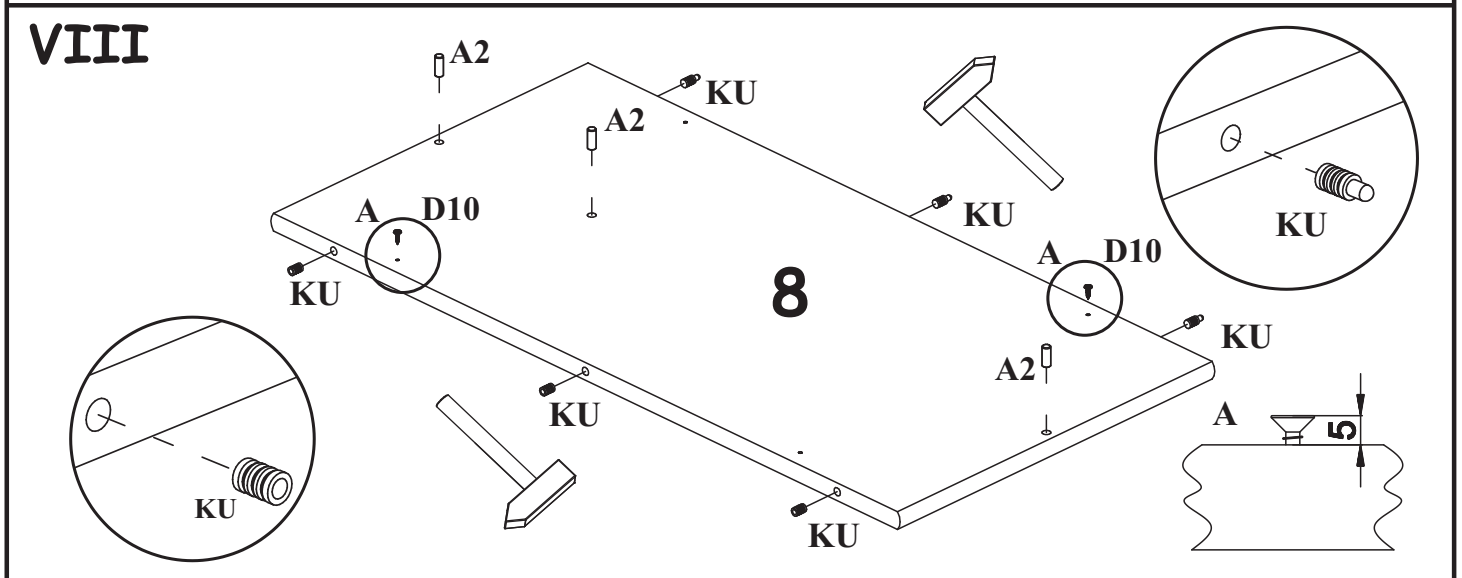
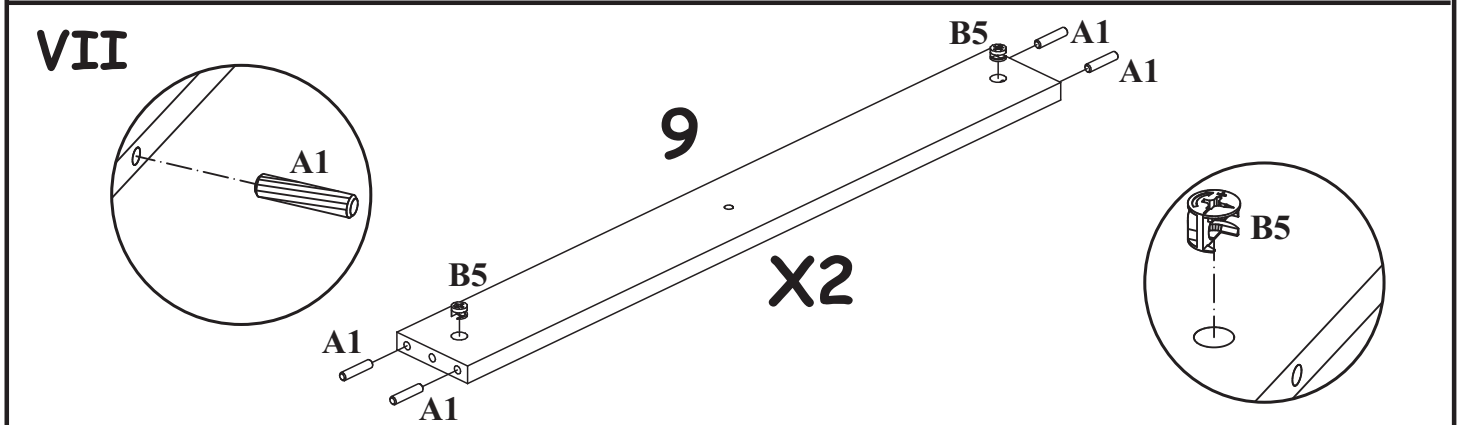
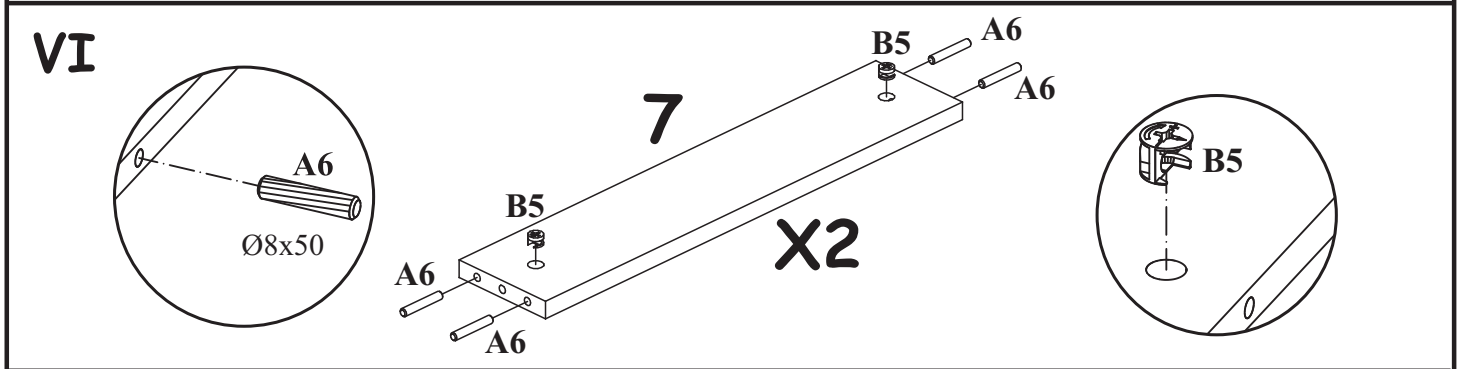
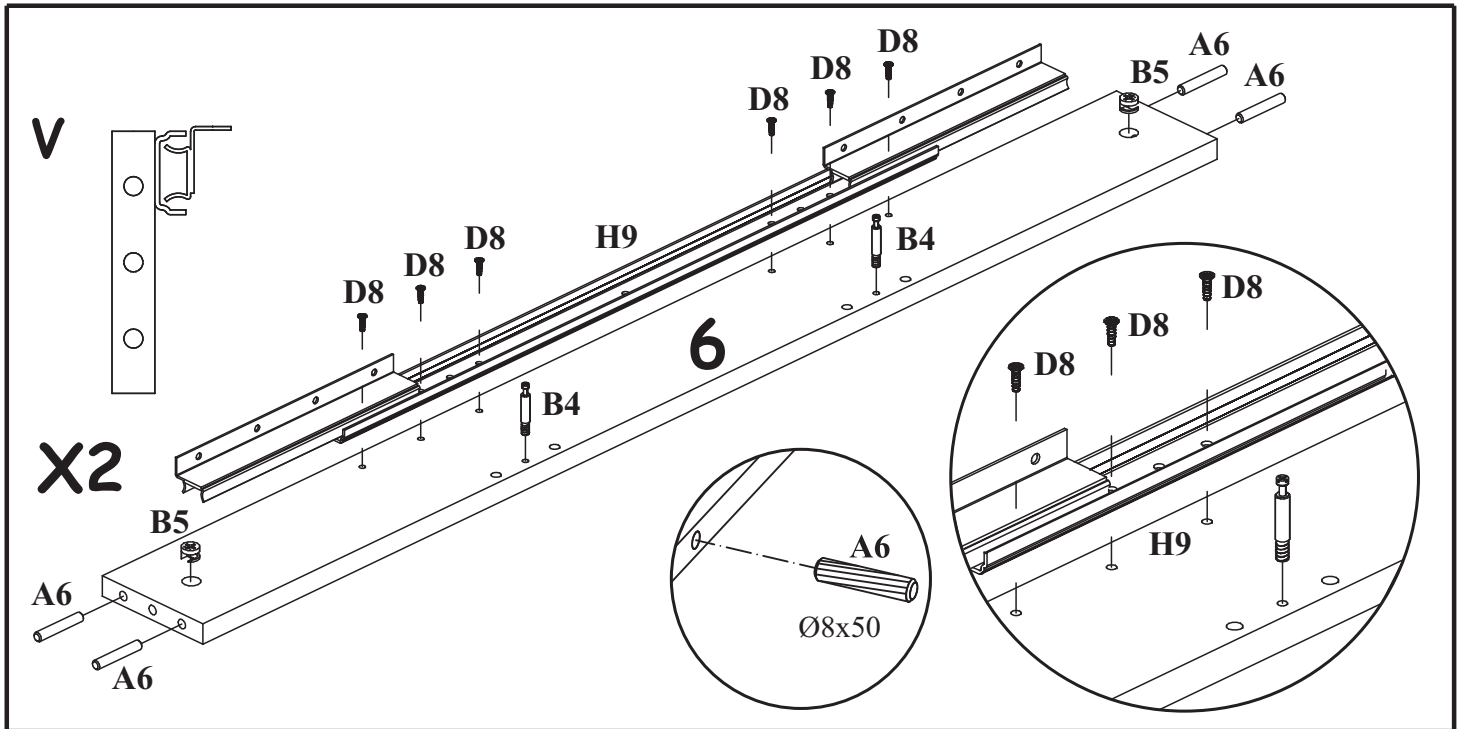
# ADMIRAL 140-180x80x76



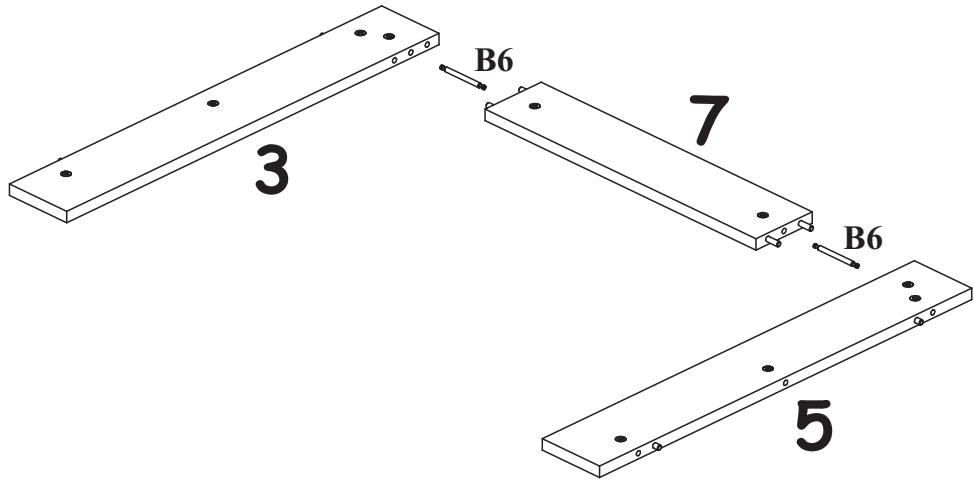
90 min.

A1 X16	 ø8x36	A2 X3	 Ø8x20	A6 X16	 Ø8x50	KU X6		G2 X1	
H9 X2	 L-650mm	D8 X28	 øES5x13	D10 X6	 ø3,5x13	I2 X8		SZS X2	 51X17
B5 X32	 ø15x12	B6 X8	 Ø7x78	B4 X16		G5 X32			

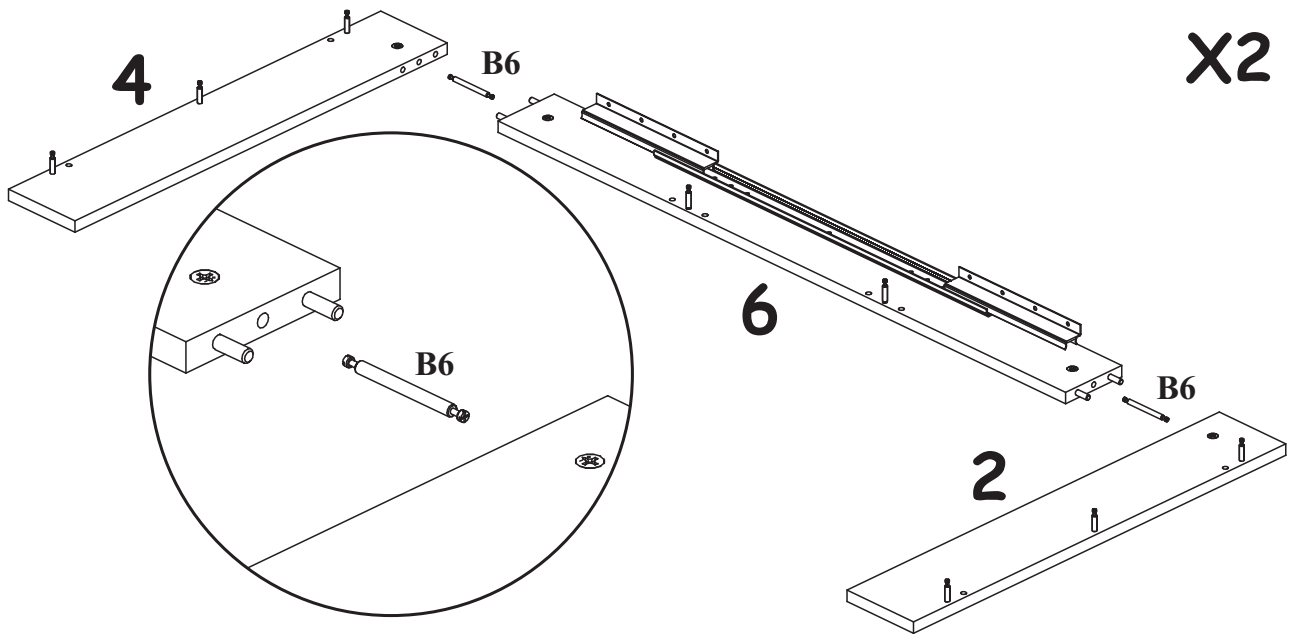




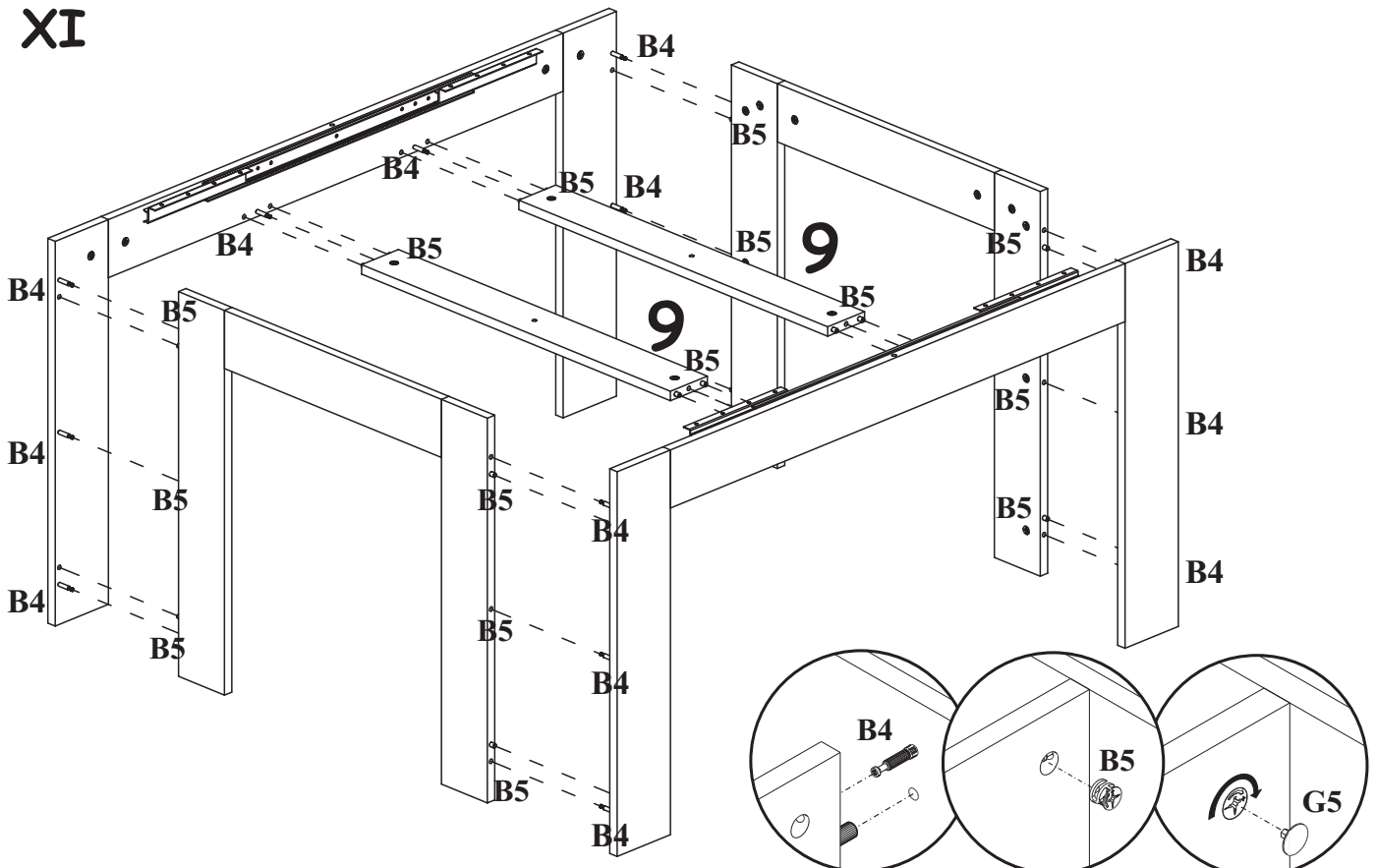
IX



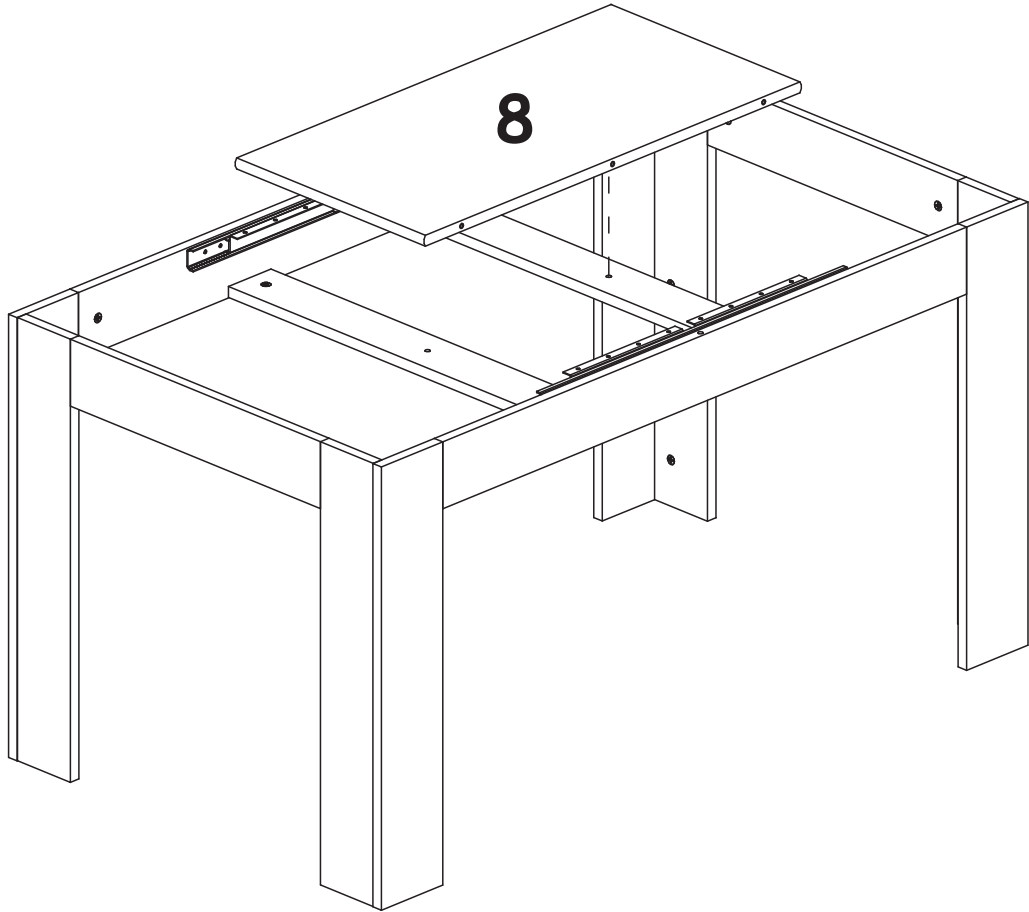
X



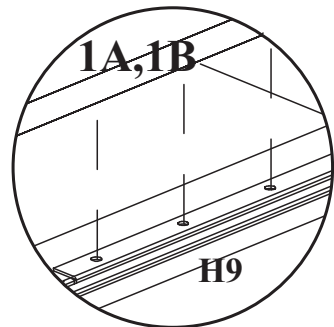
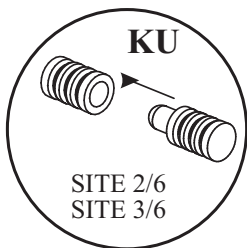
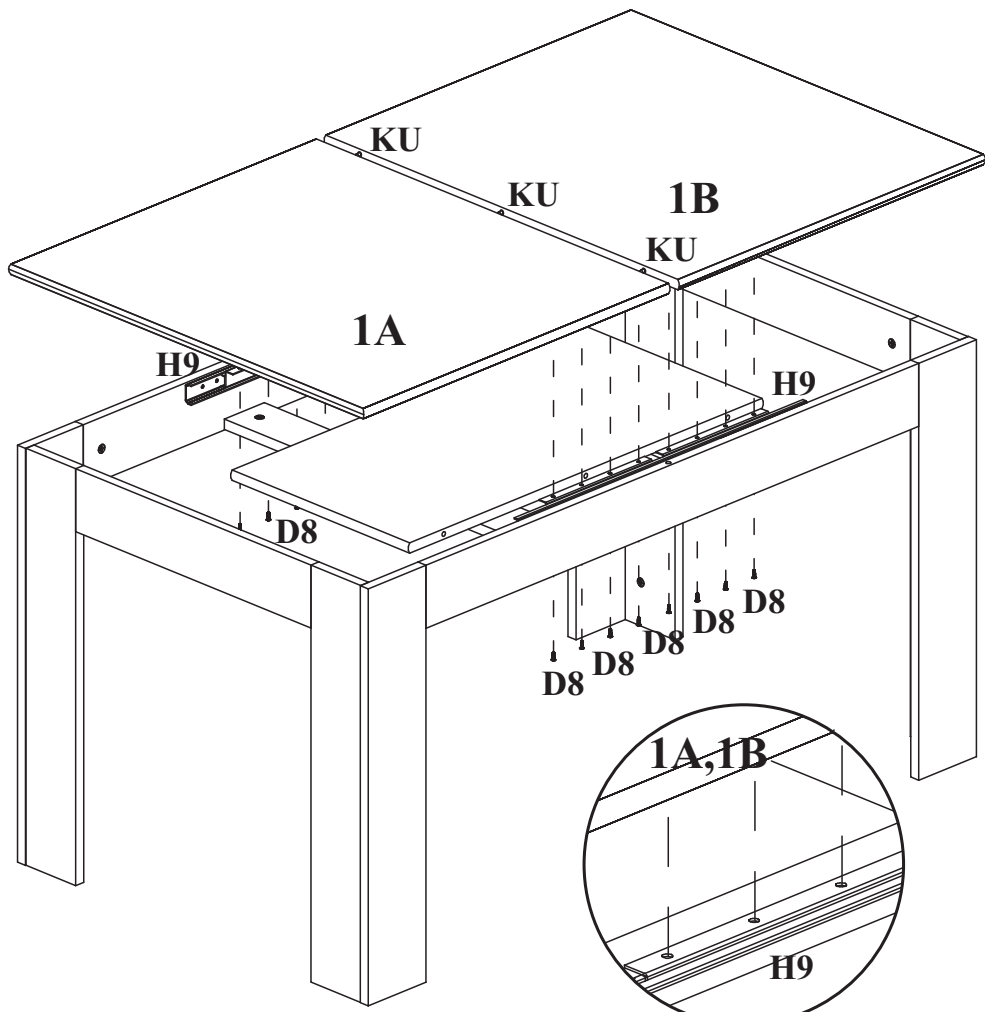
XI



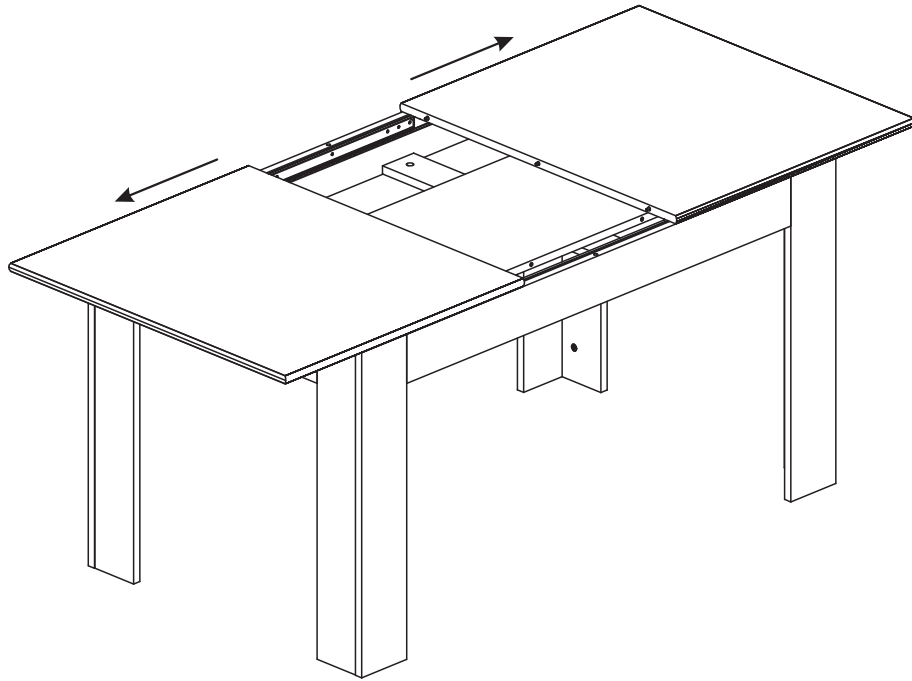
X



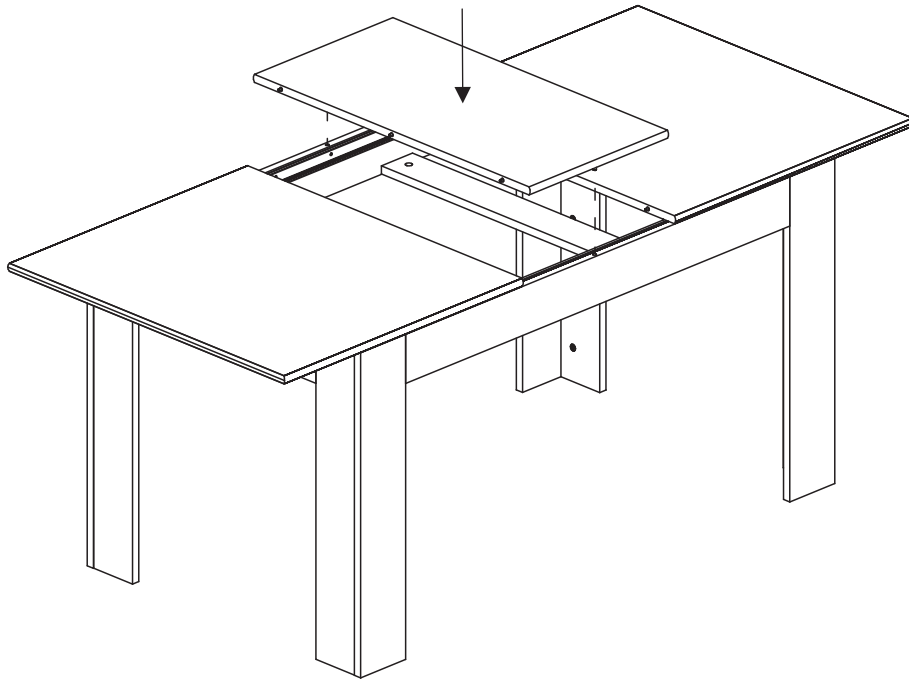
XI



**XII**



**XIII**



**XIV**

