
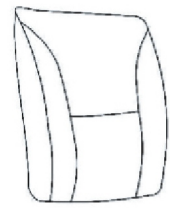




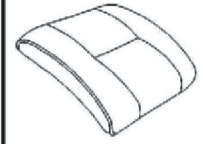
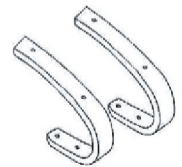
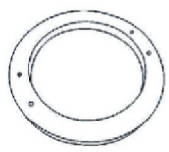
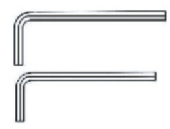





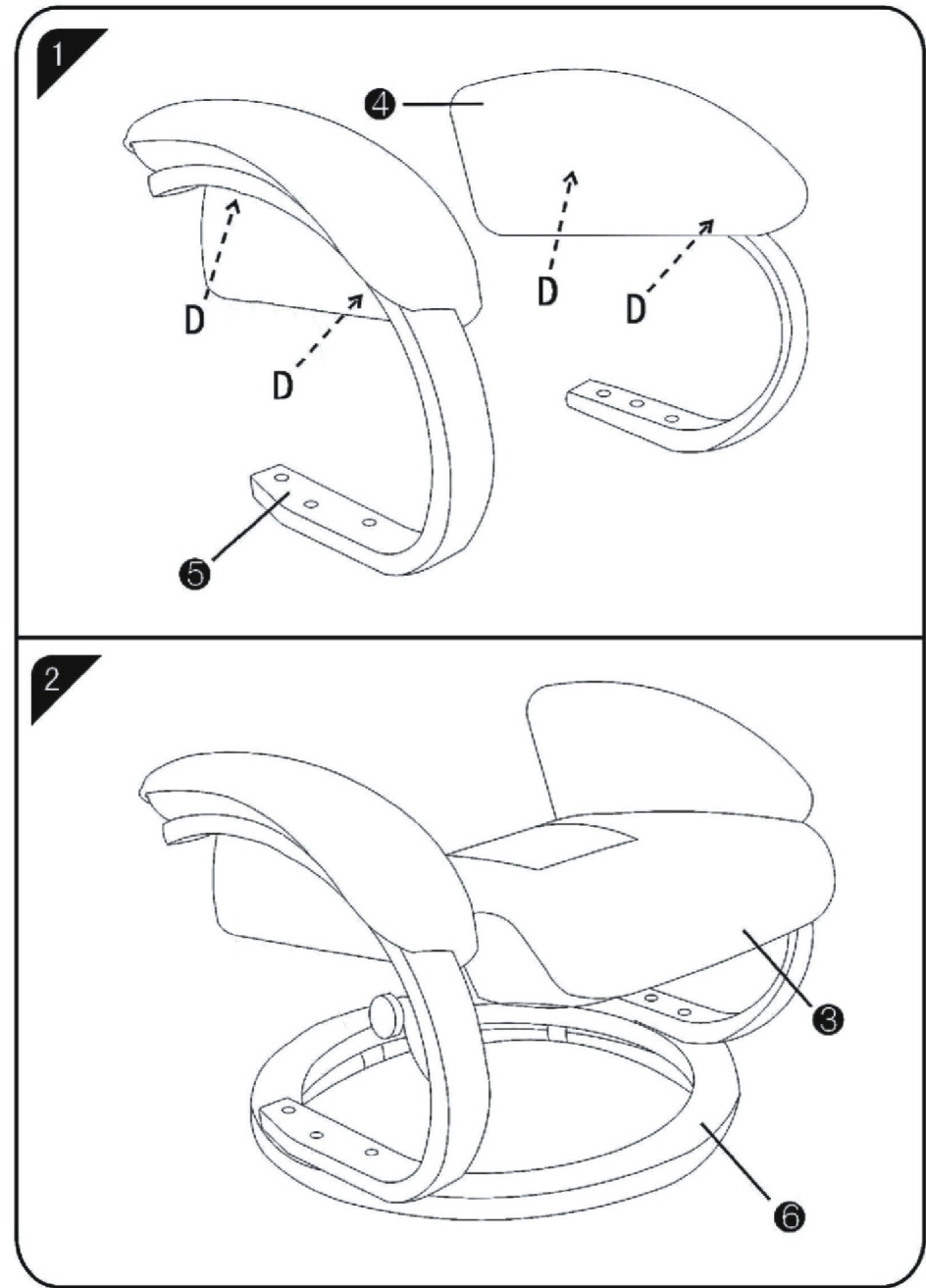
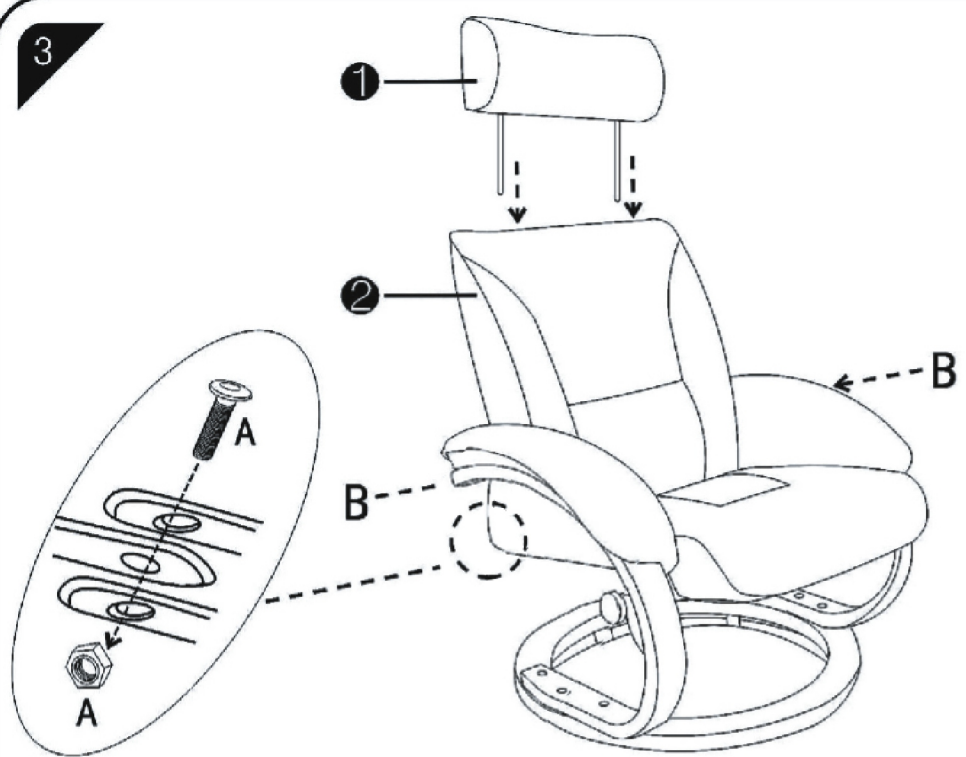


NIGEL CH-85008

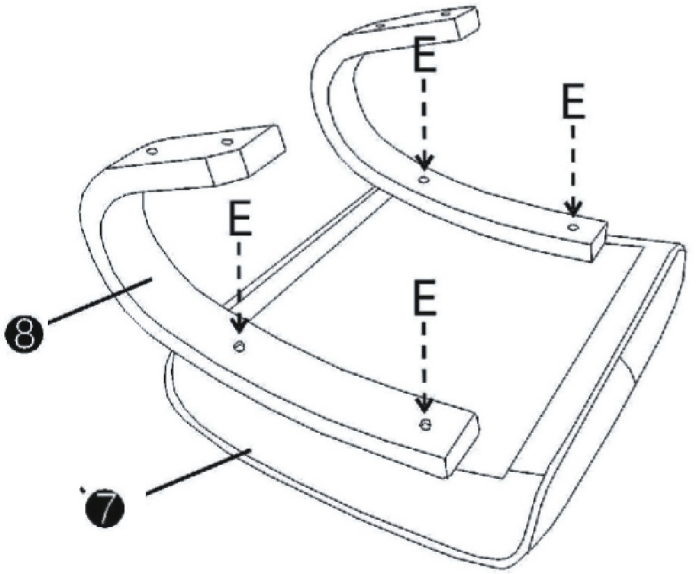
 1	 2	 3	 4
 5	 6	 7	 8
 9	 10	 M8*25 2ks 2ks A	
 M8*70 2ks B	 M8*50 4ks C	 M6*40 4ks D	 M6*40 4ks E



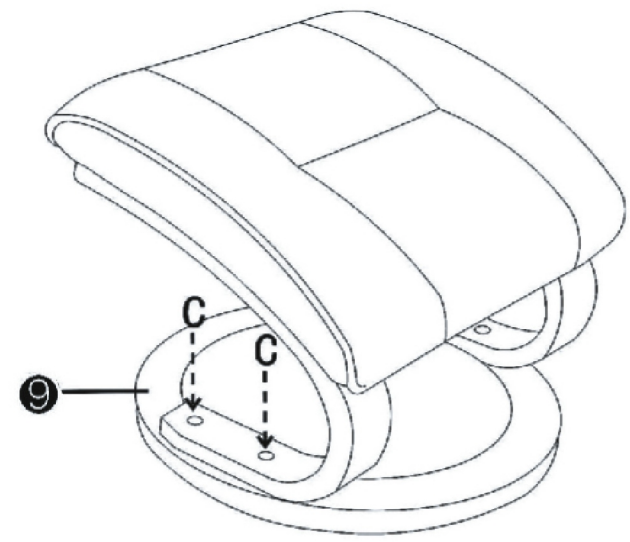
3



4



5



6

