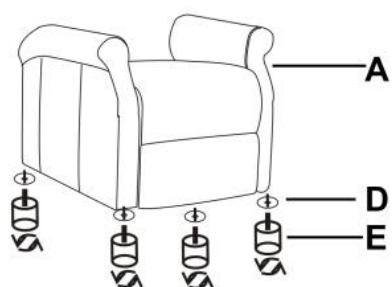
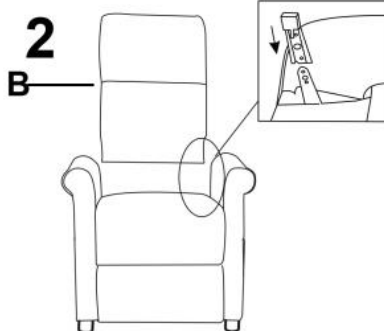


AGUSTIN

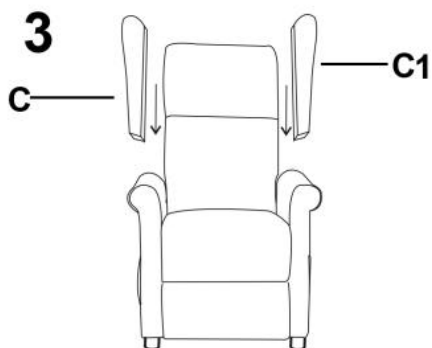
1



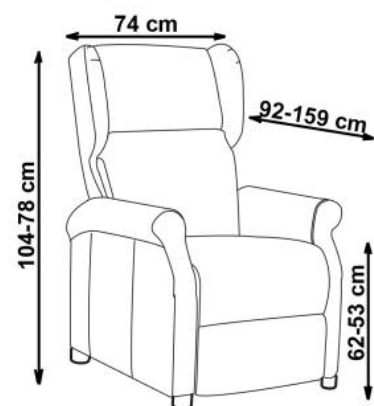
2



3



| | | |
|------------------|--|-----|
| A | | 1 |
| B | | 1 |
| C+C ₁ | | 1+1 |
| D | | 4 |
| E | | 4 |



max. 120 kg



v.1