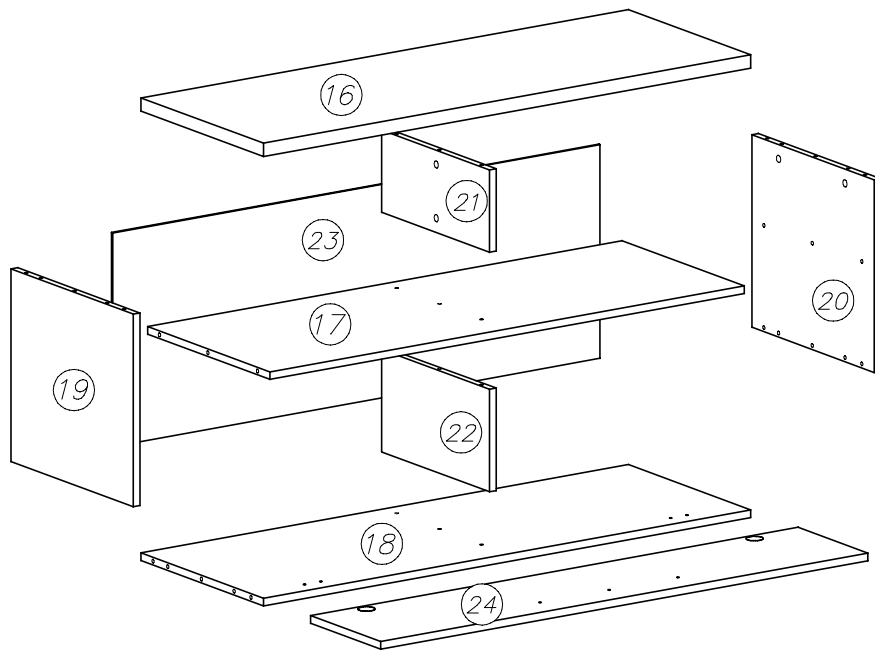
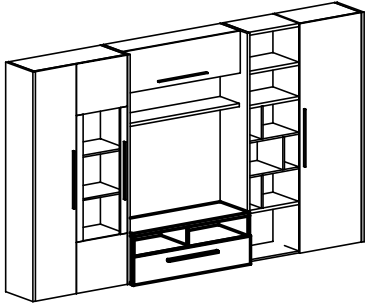
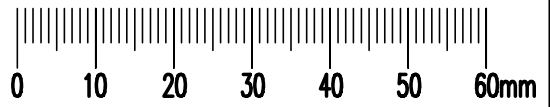
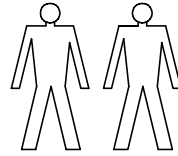
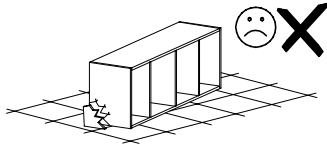
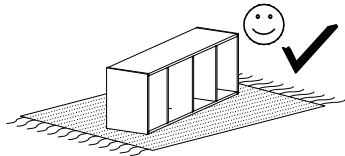
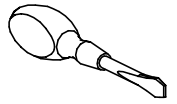
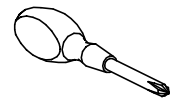
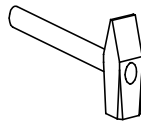


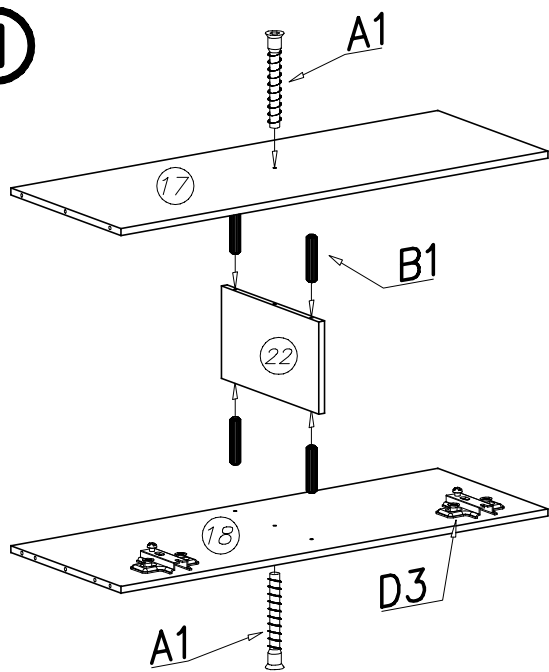
SMART

SPÓD RTV

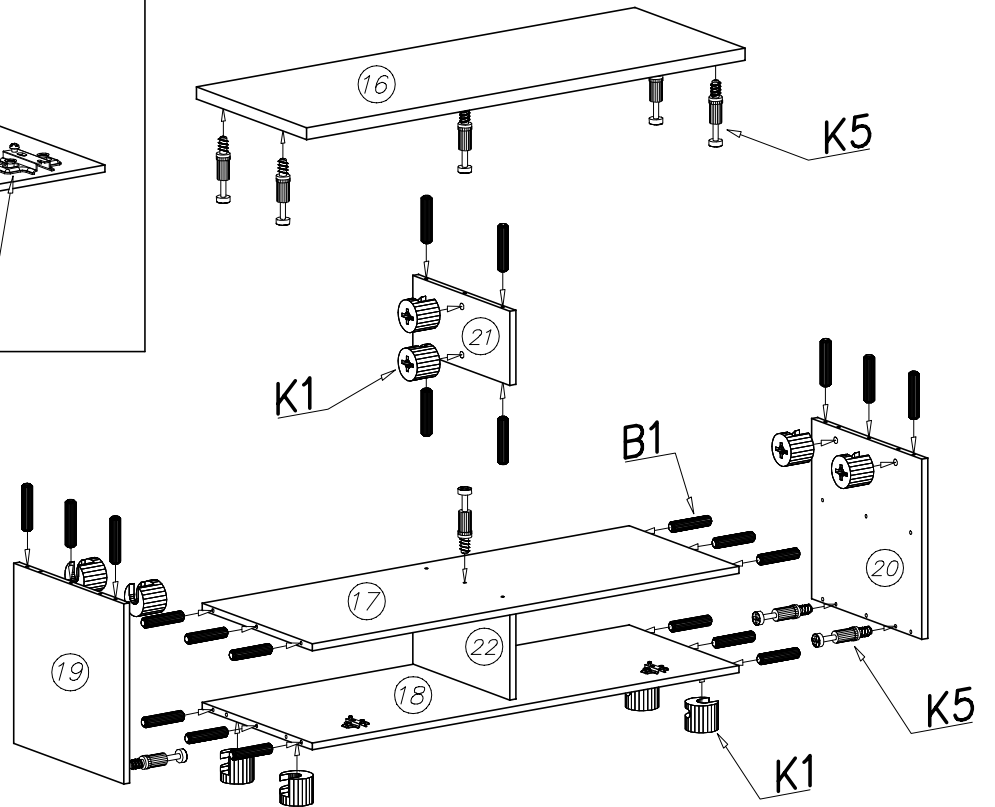


K1 $\varnothing 15 \times 12$ x10	G8 4x25 x3	A1 $\varnothing 7 \times 50$ x2	W2 4mm x1	L2 x2
K5 x10	D3 PZ35PR x2	B1 $\varnothing 8 \times 35$ x26	G34 3,5x16 x12	E9 x1
		C3 Z35PR x2	W4 1,6x20 x50	

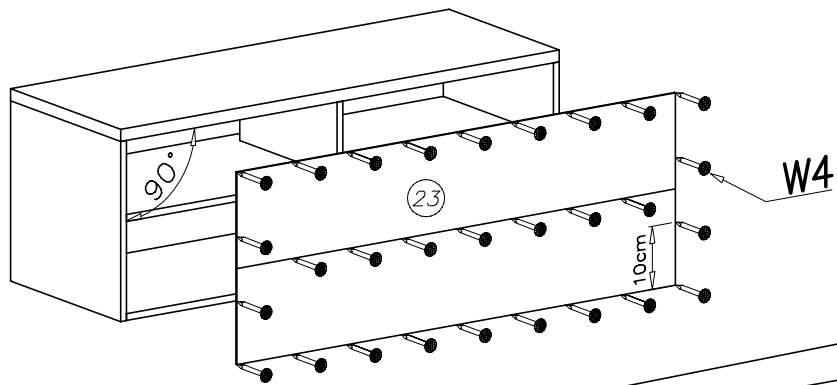
①



②



③



④

