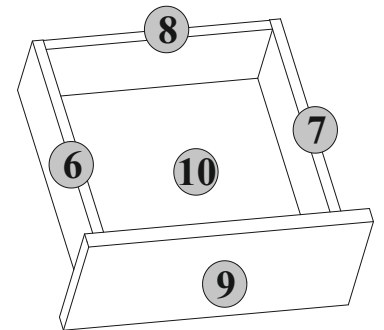
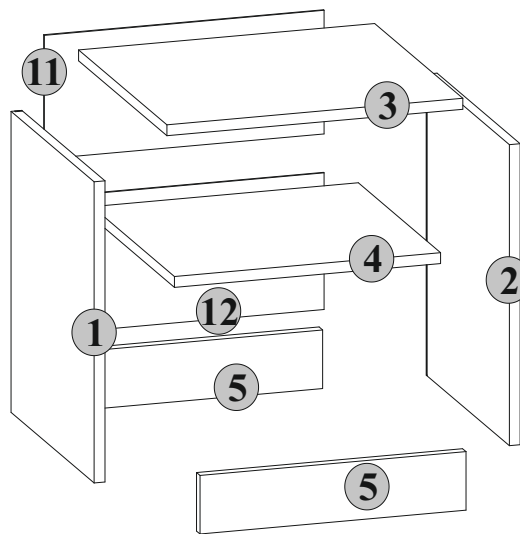
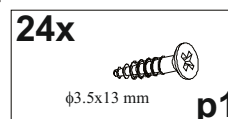
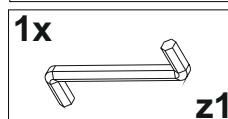
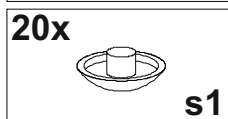
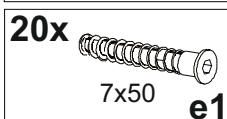
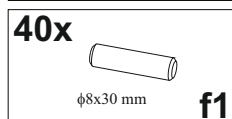
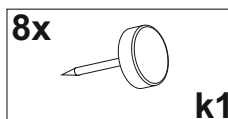
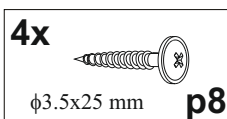
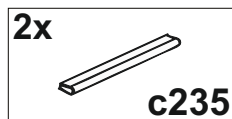
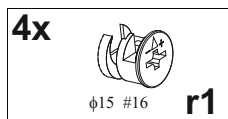
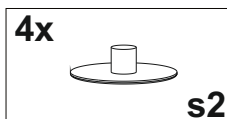
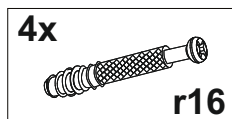
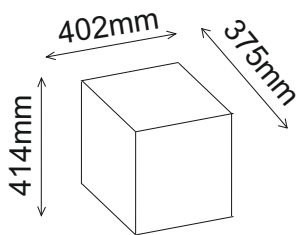


number	Measurements	Pcs.
1	398x355	1
2	398x355	1
3	402x375	1
4	368x352	1
5	368x80	2
6	350x96	1
7	350x96	1
8	311x96	1
9	396x174	1
10	343x355	1
11	387x160	1
12	387x183	1

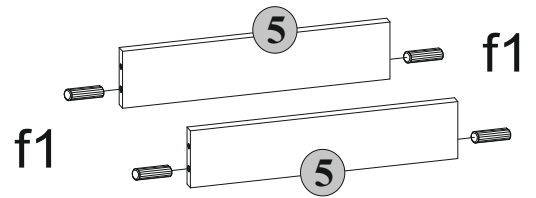
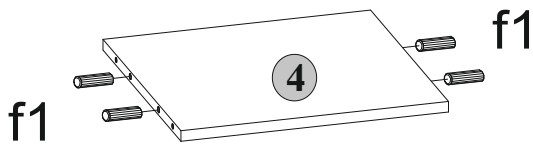
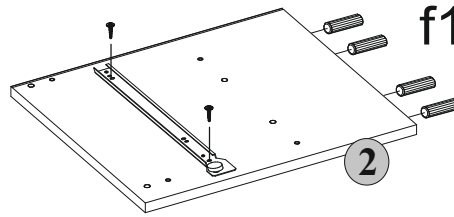
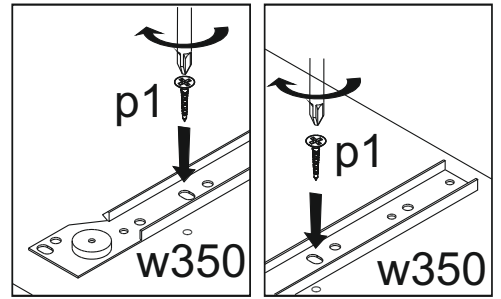
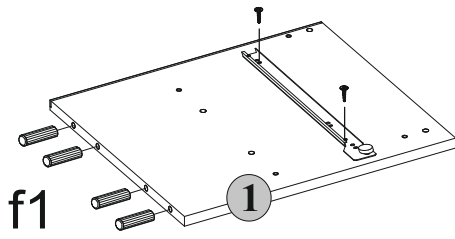


x2

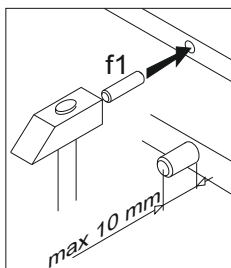
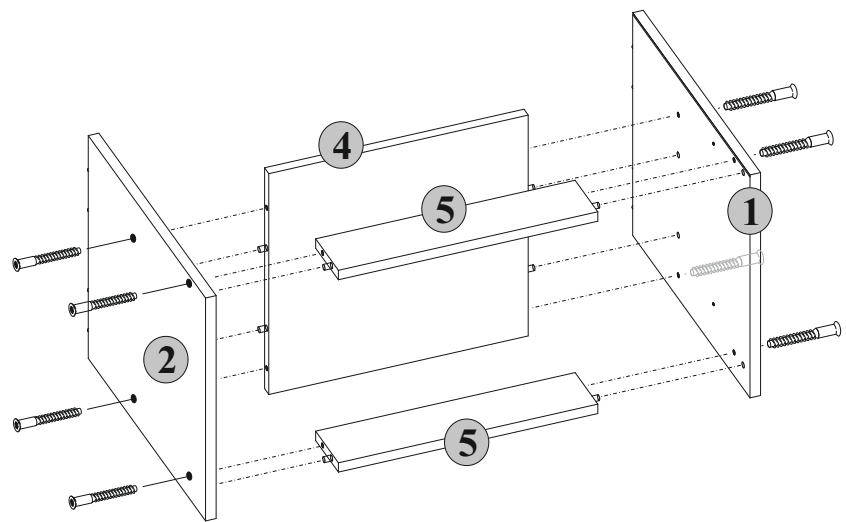
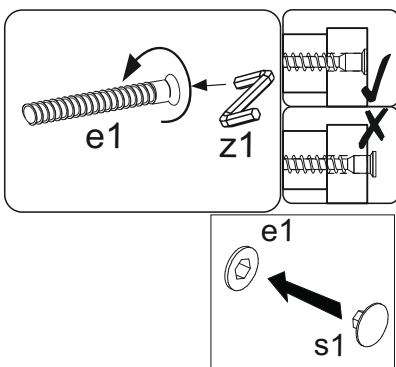


1

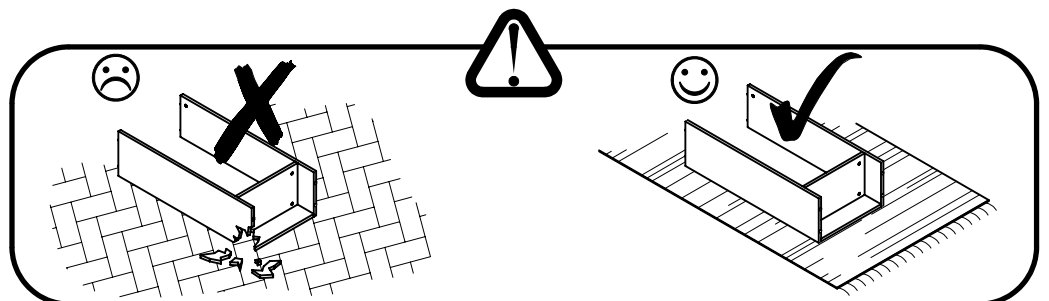
I



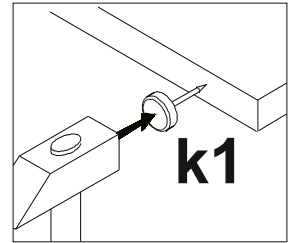
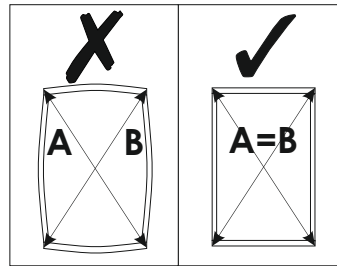
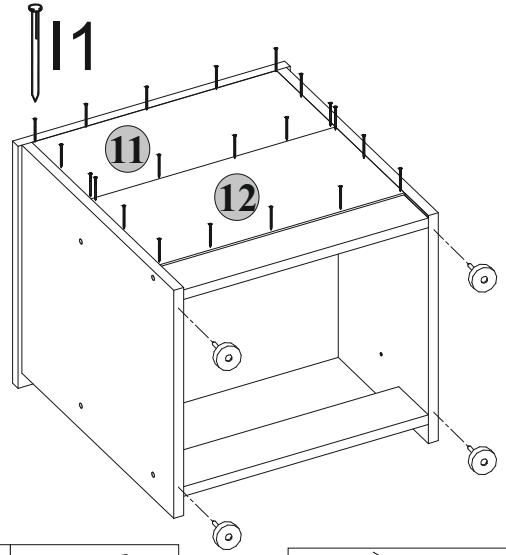
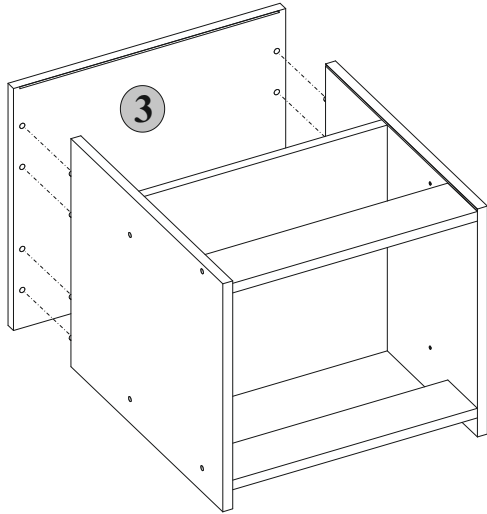
2



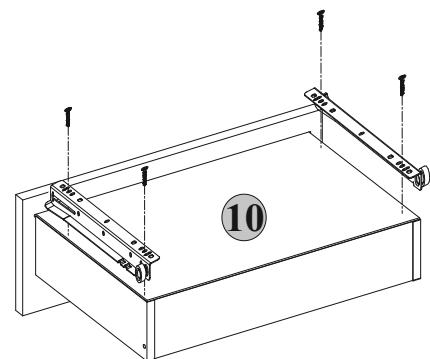
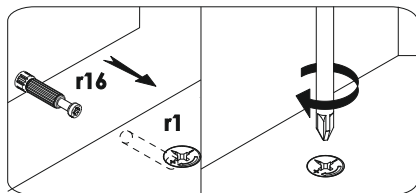
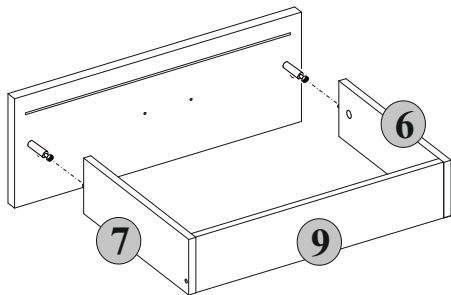
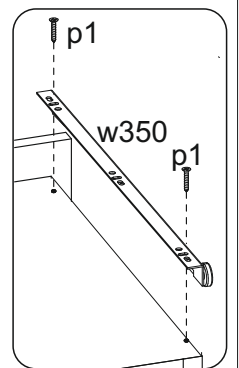
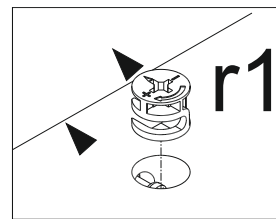
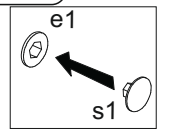
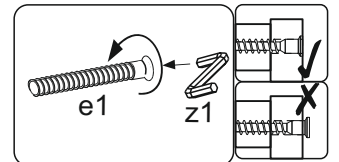
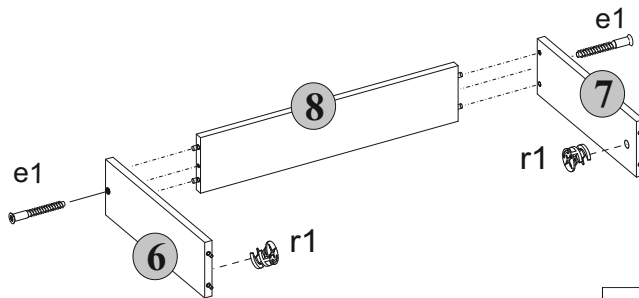
2



3



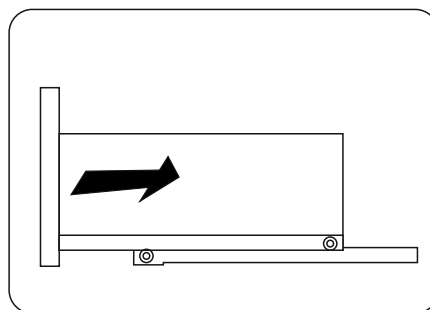
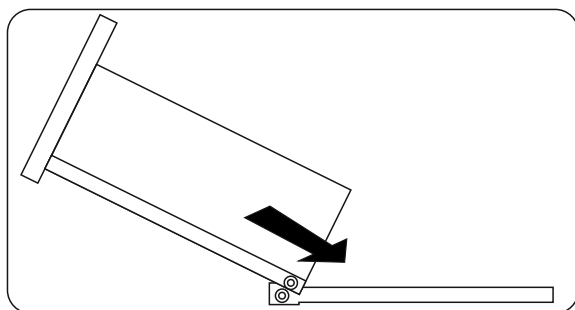
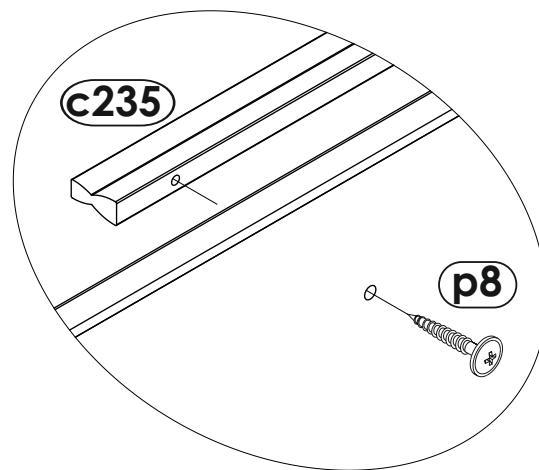
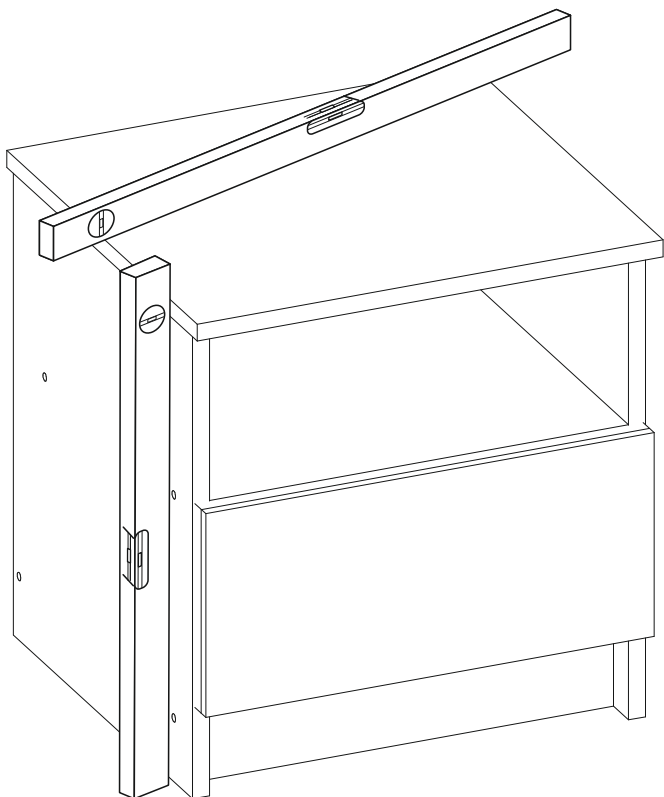
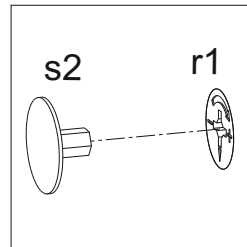
4



4

3

5



4