
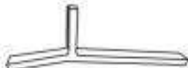
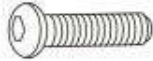


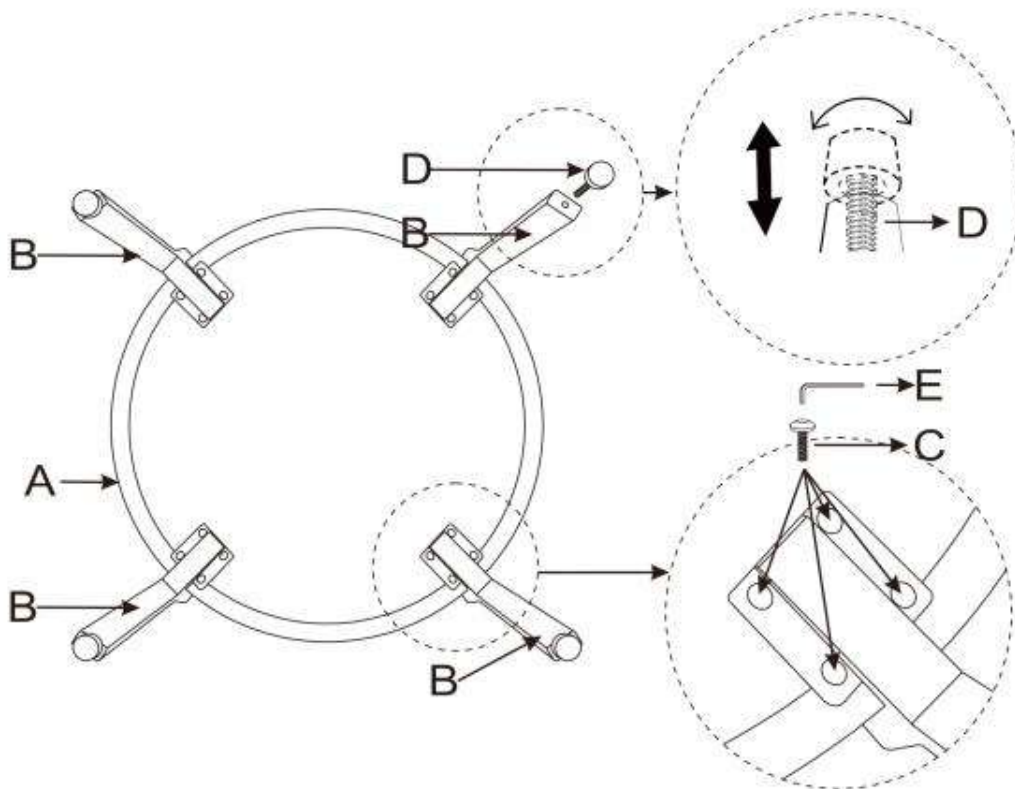


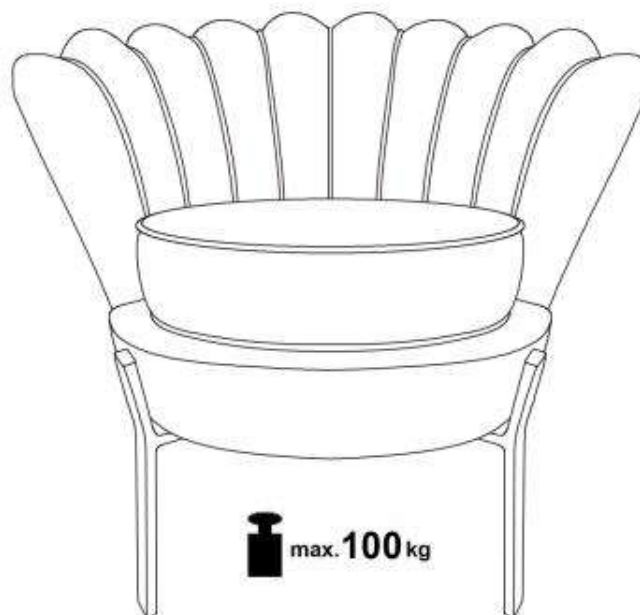
# ANGELO


 X1	A	 X4	B	 M6x20 mm	C
 X4	D	 X1	E		

1



2



 max. 100 kg

v.1