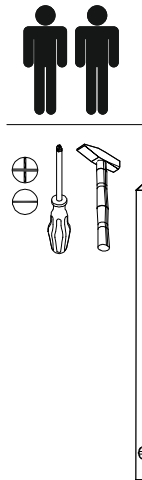
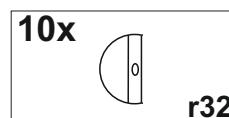
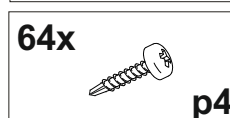
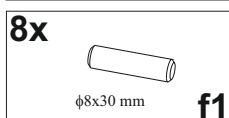
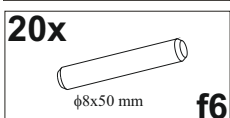
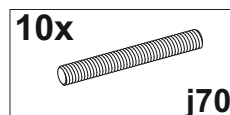
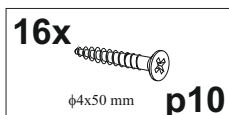
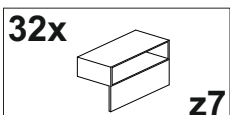
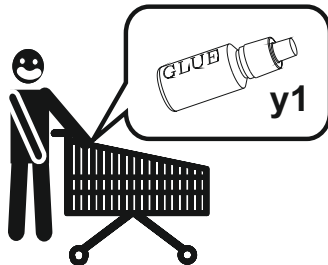
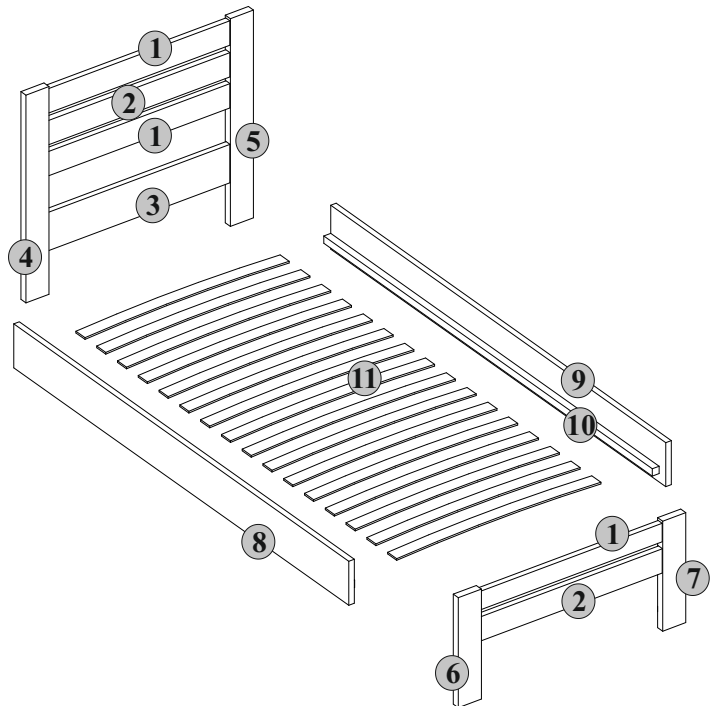
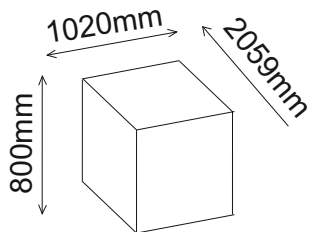
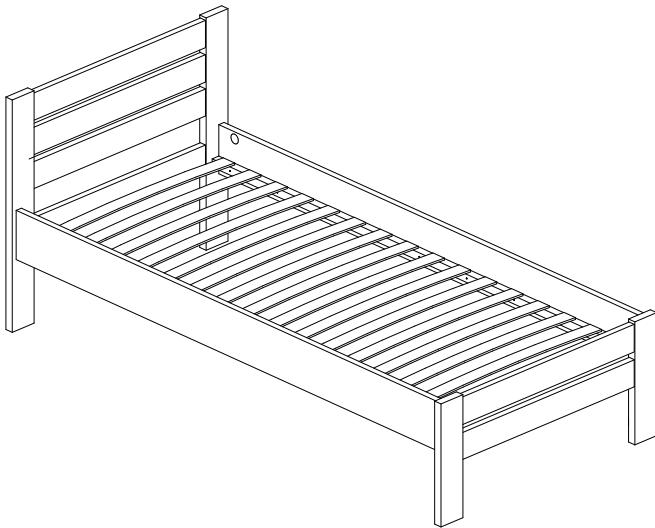


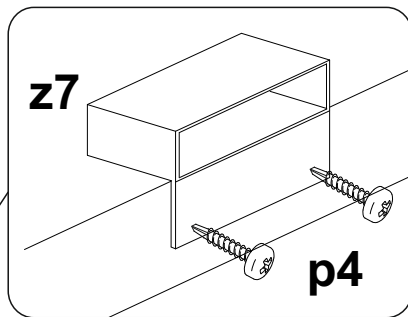
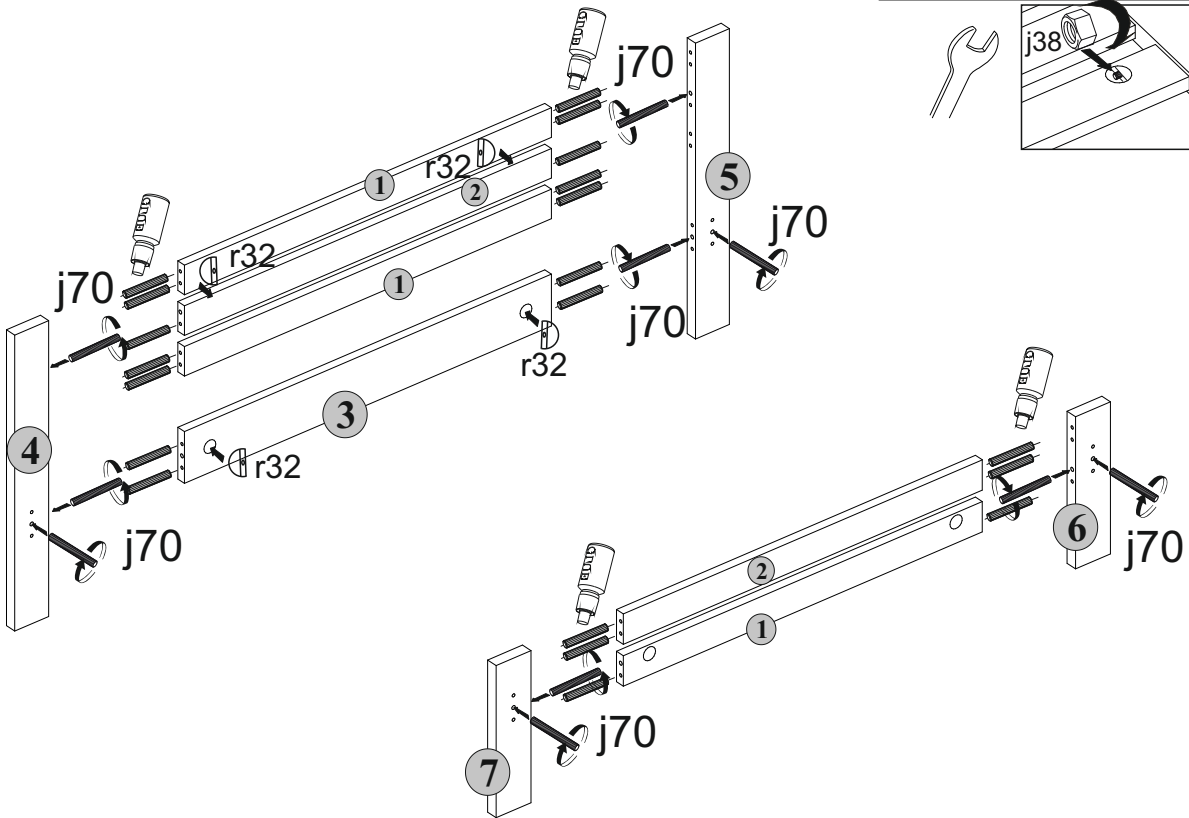
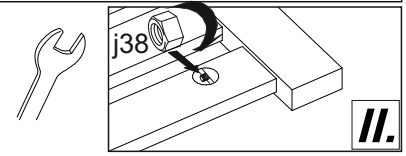
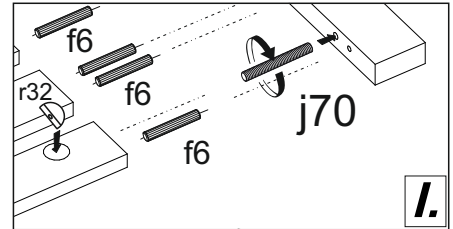
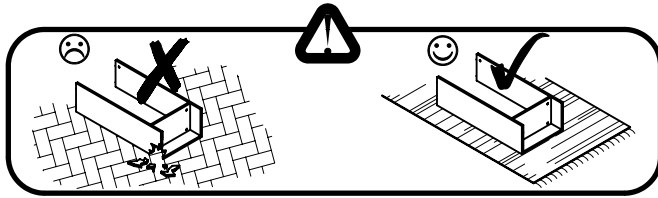
Bed 90



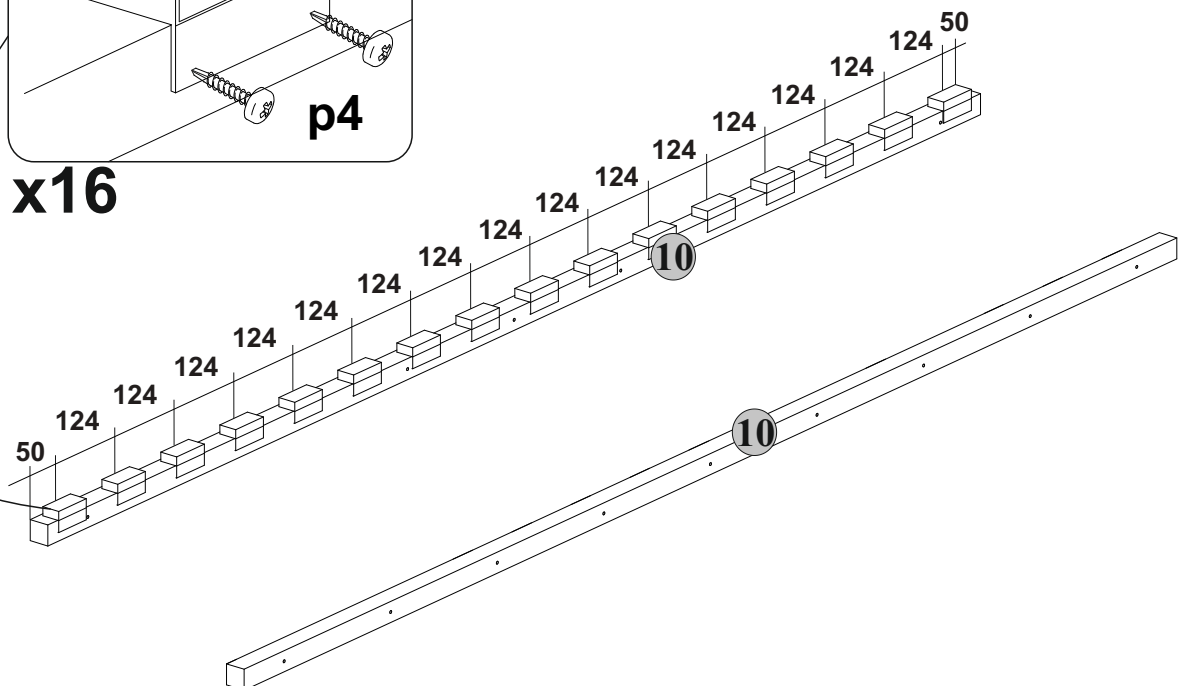
number	Measurements	Pcs.
1	Element-1	3
2	Element-2	2
3	Element-3	1
4	Element-4	1
5	Element-5	1
6	Element-6	1
7	Element-7	1
8	Element-8	1
9	Element-9	1
10	Element-10	2
11	Element-11	16



I

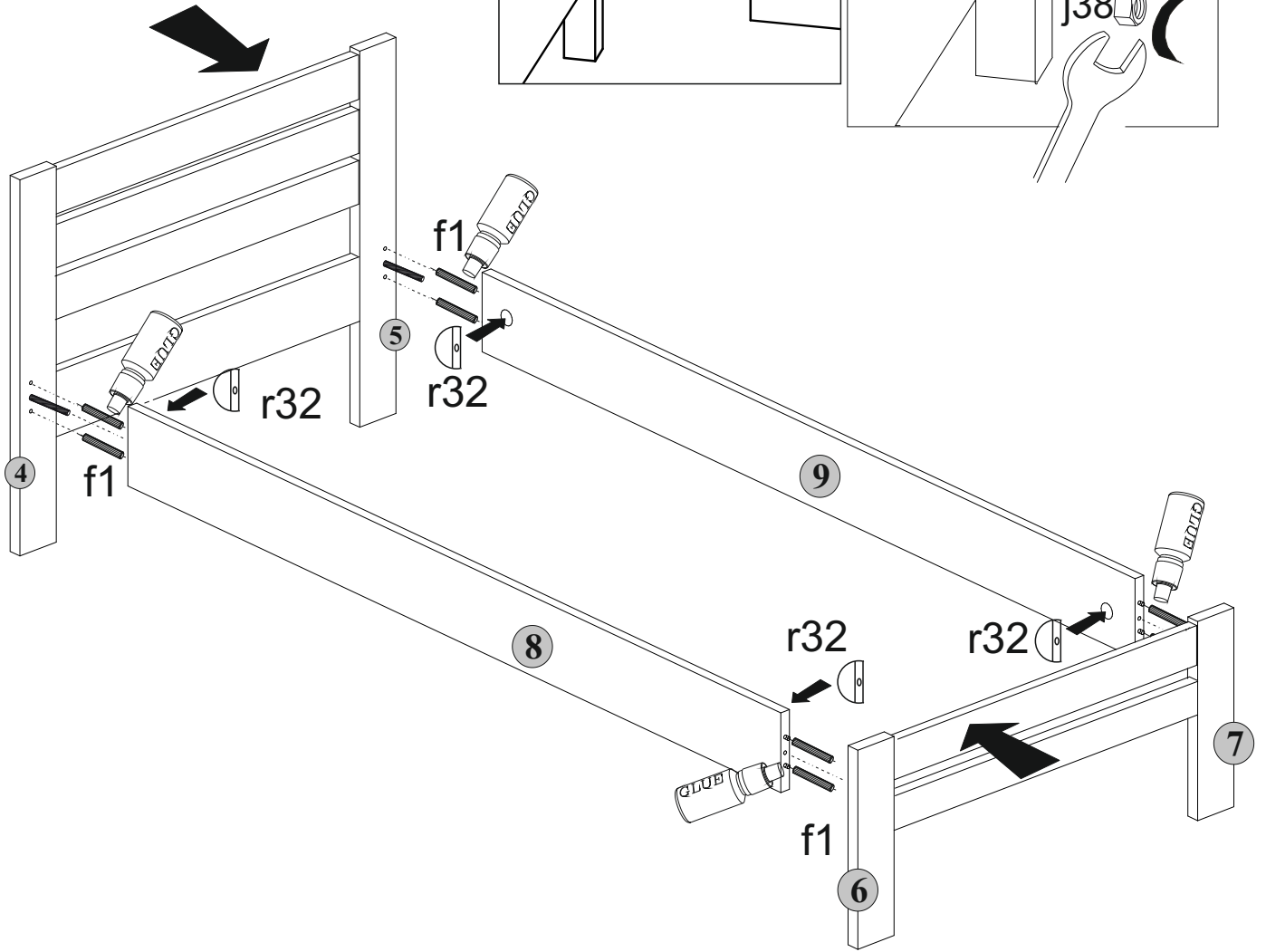
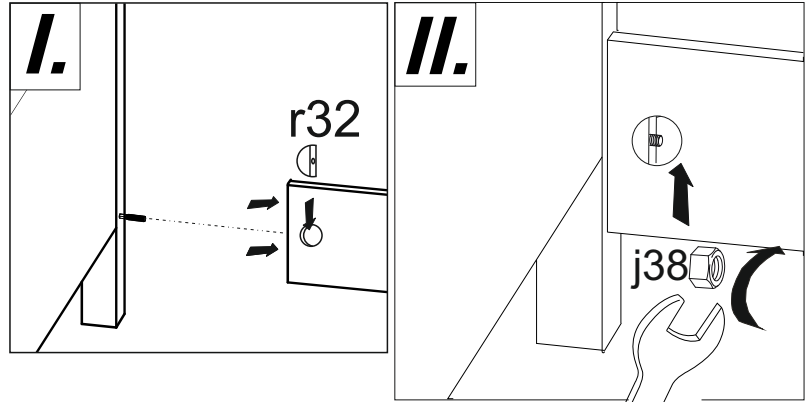


x16



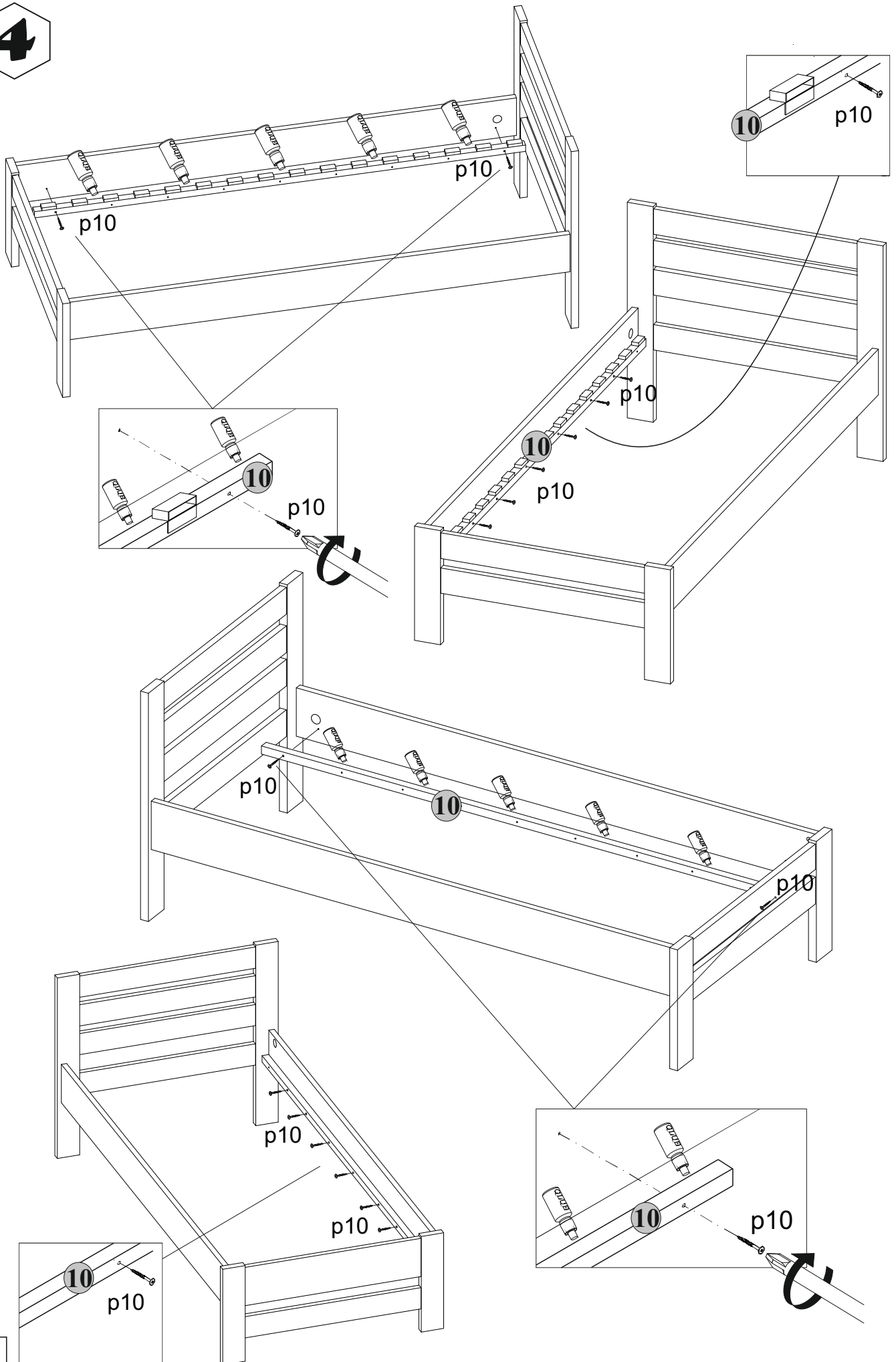
2

3

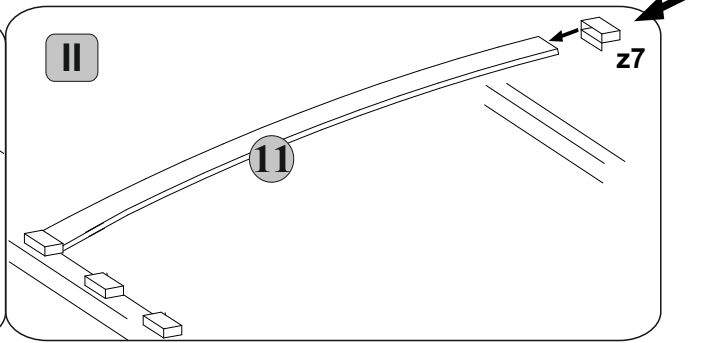
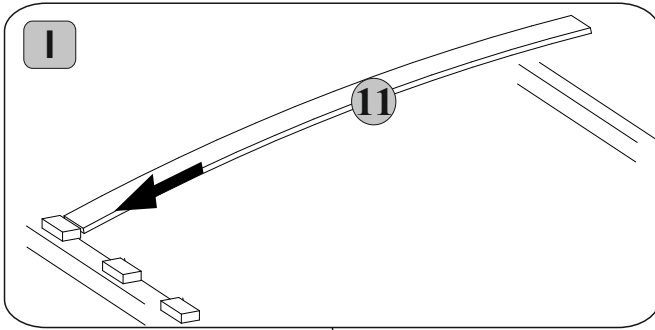


3

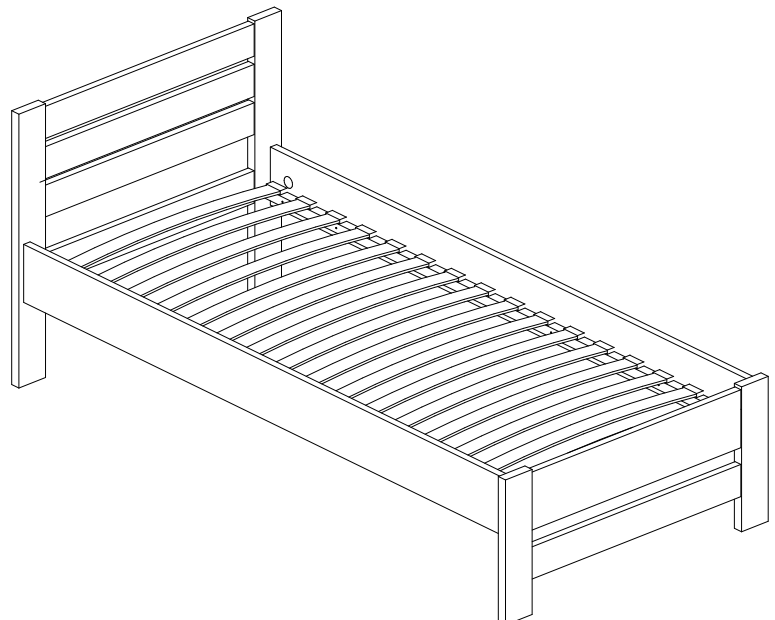
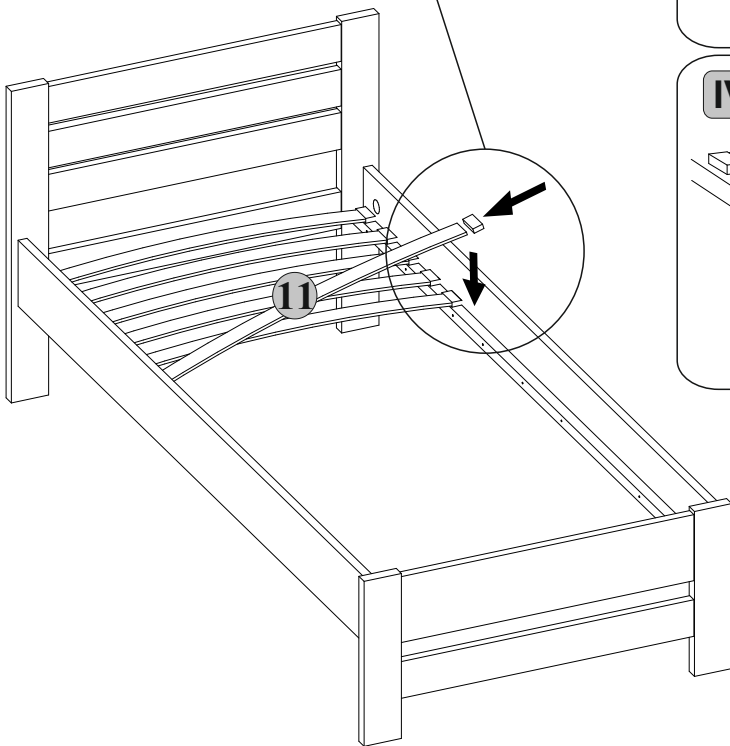
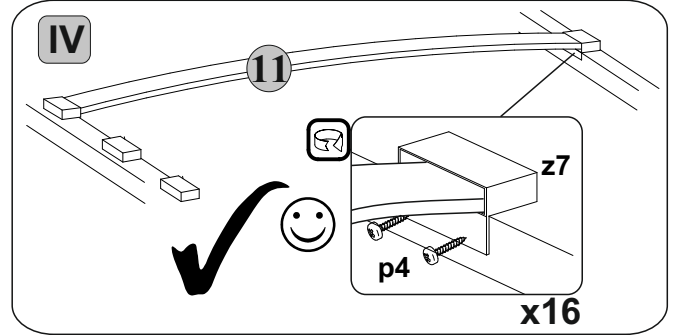
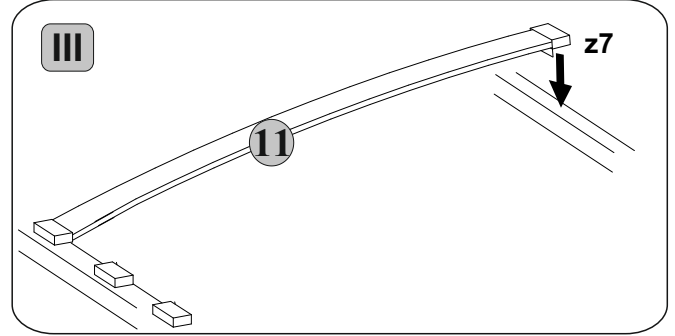
4



4



5



5