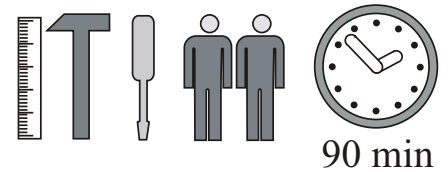
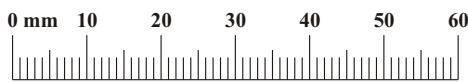
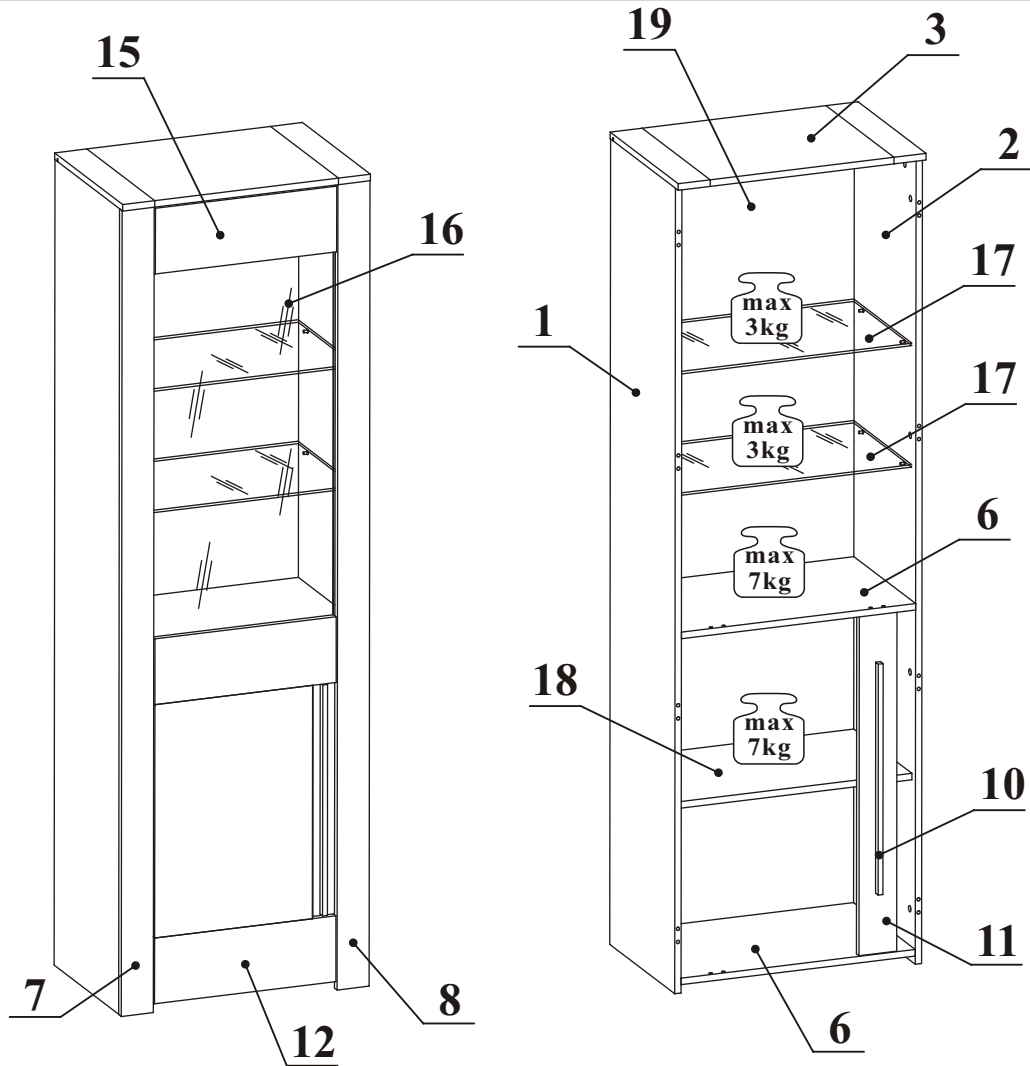


SYSTEM BOSTON
WS BOSTON I

TYPE 07

24...BT

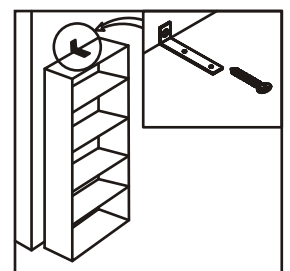
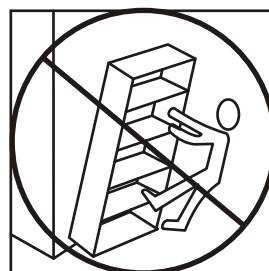
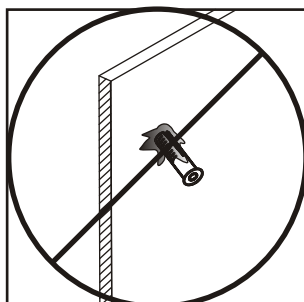
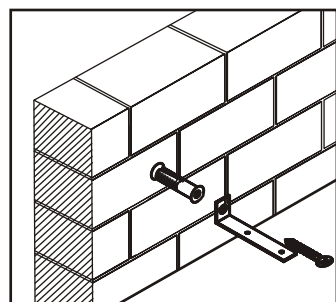
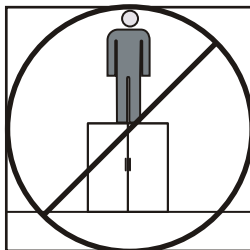
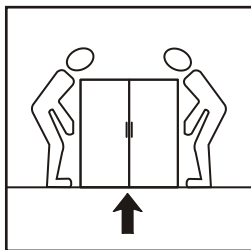
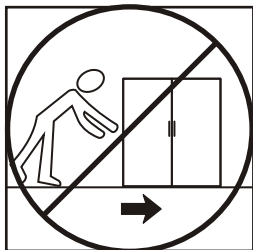
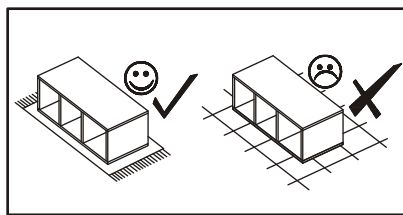
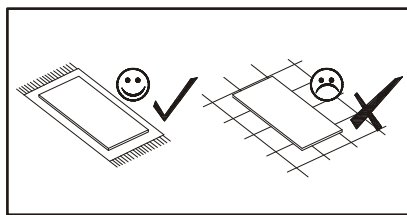
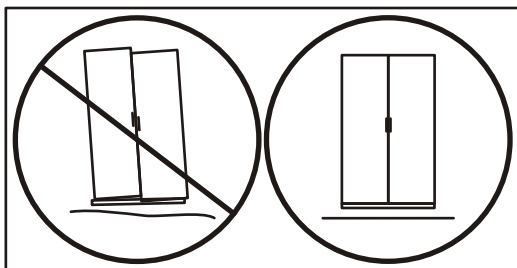
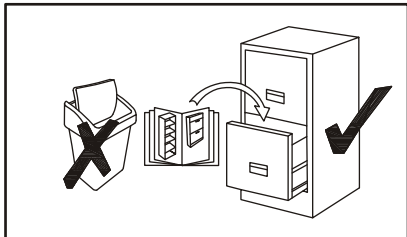
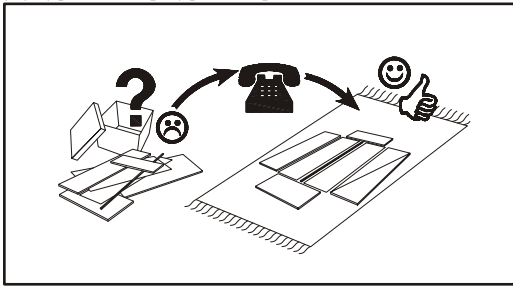


KR1 X1		L1 X1		B3 X10	 Ø1,4x25	G7 X4		S1 X14			
A1 X22	 Ø8x36	B4 X20		B5 X20	 Ø15x12	G5 X20		B11 X4	 Ø7x50		
E13 X3		E2 X3	 H=0	UP13 X8	 UPØ3x16	I2 X4		P2 X8		Z2 X1	 Ø8
Z3 X4	 Ø8	D10 X8	 USØ3,5x13	G20 X9		G2 X1		UP15 X3	 UPØ4x25	G4 X4	

SYSTEM BOSTON
WS BOSTON I

TYPE 07

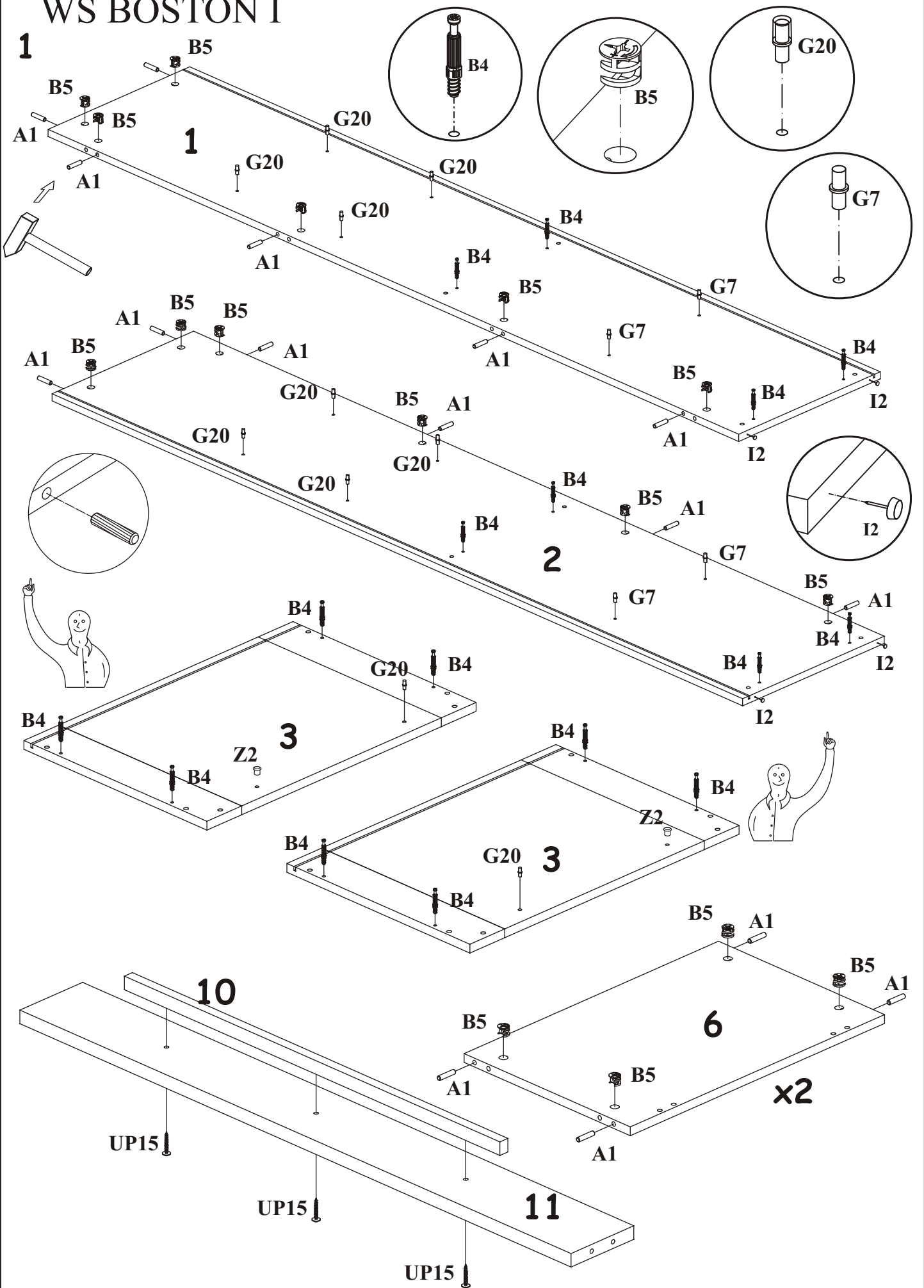
24...BT



SYSTEM BOSTON WS BOSTON I

TYPE 07

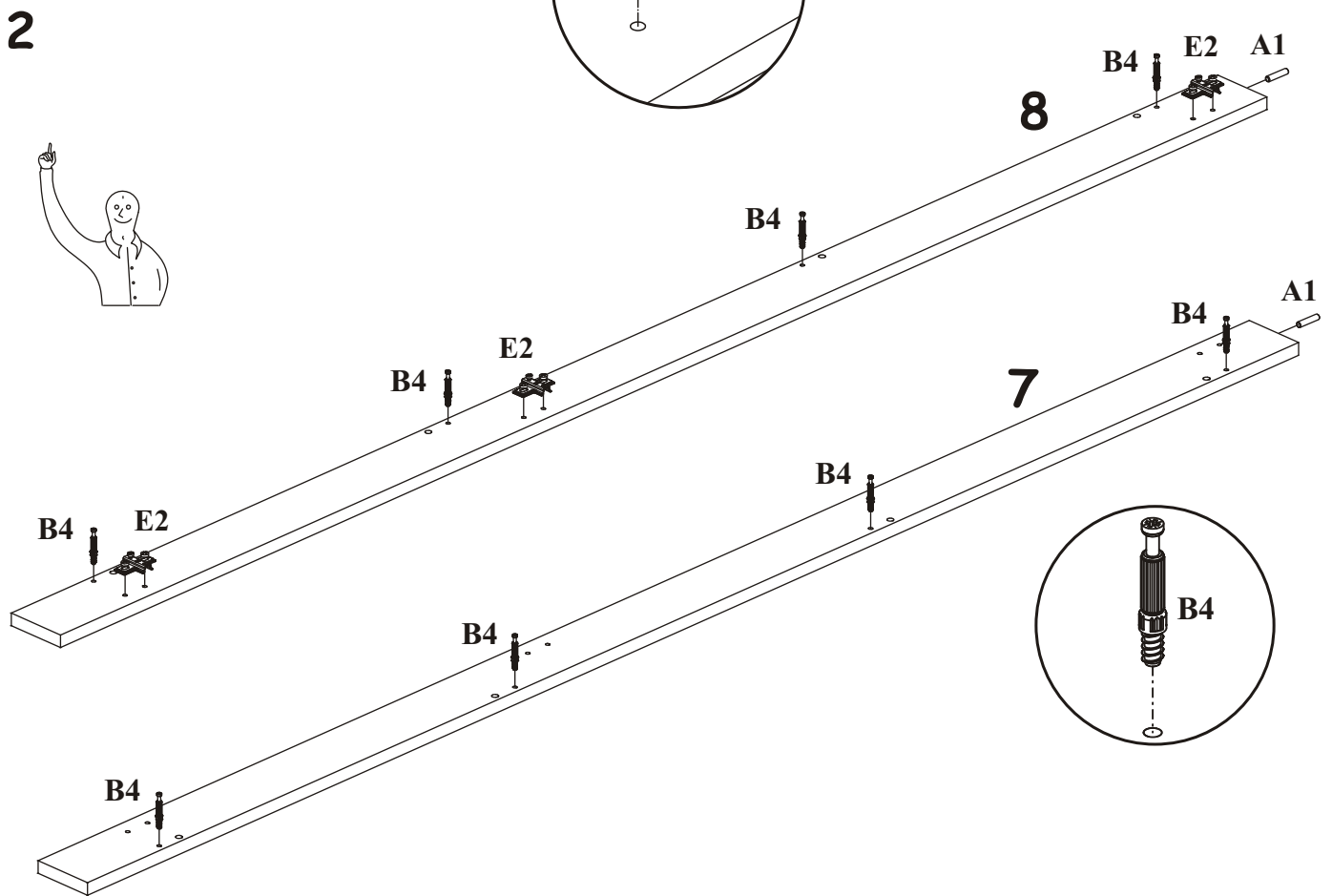
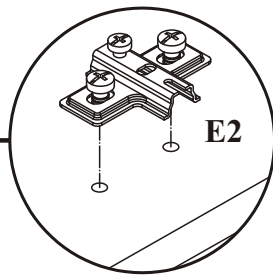
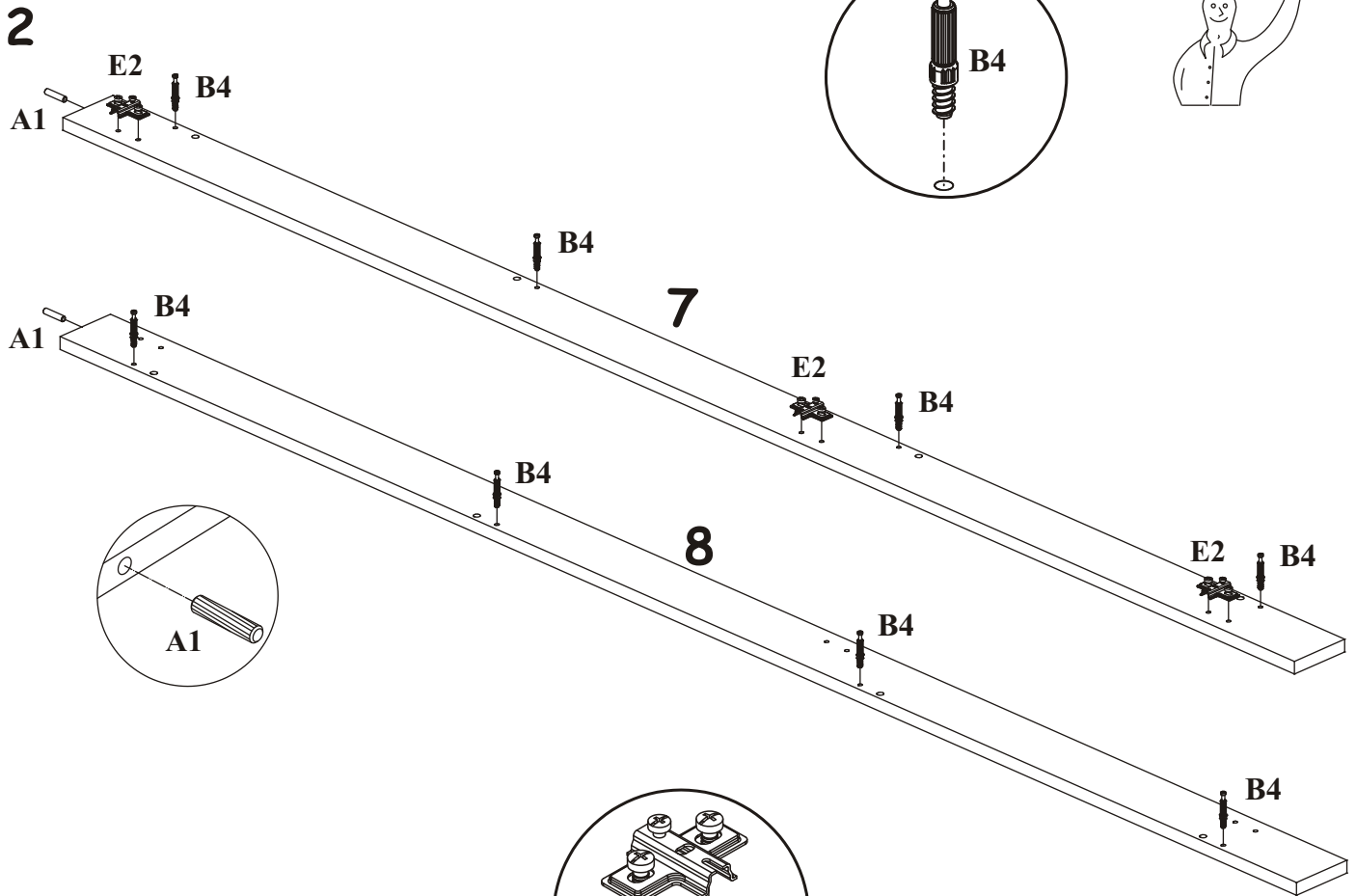
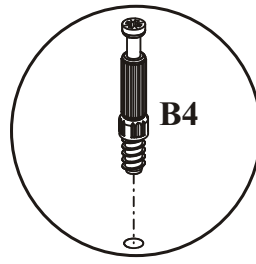
24...BT



SYSTEM BOSTON
WS BOSTON I

TYPE 07

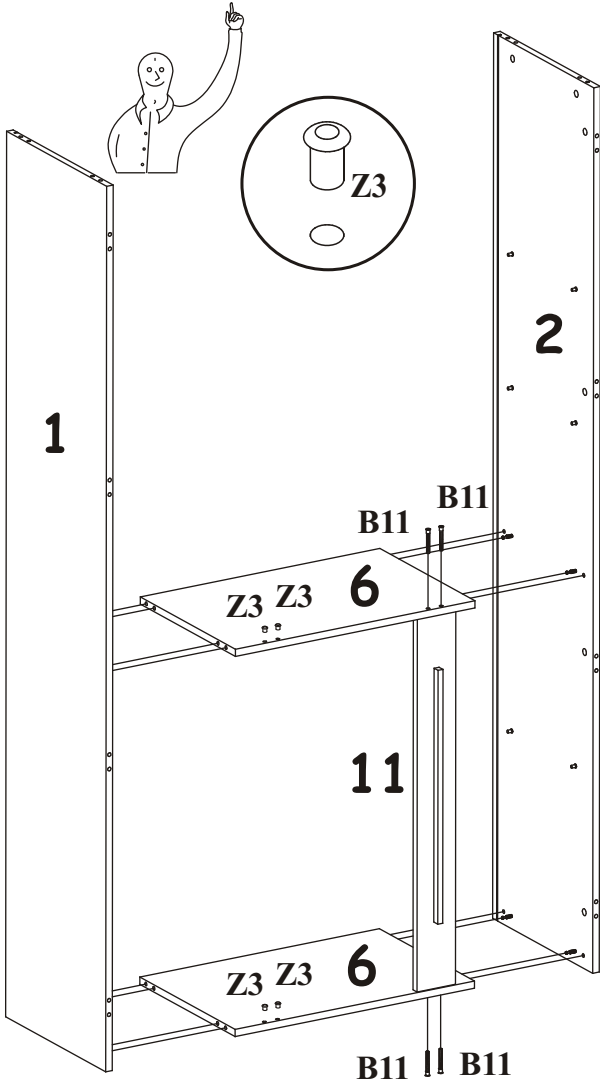
24...BT



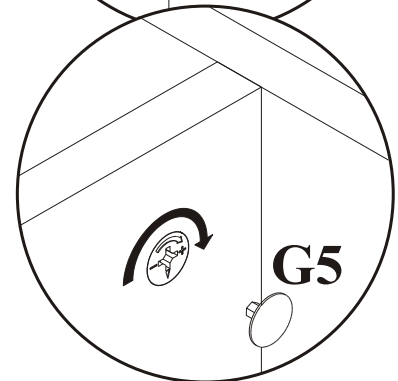
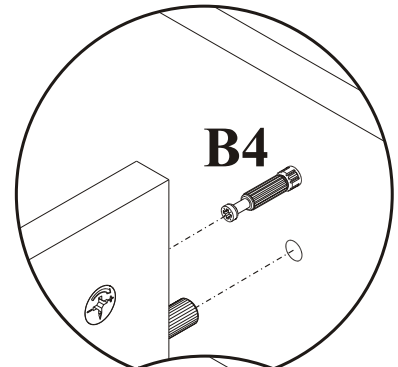
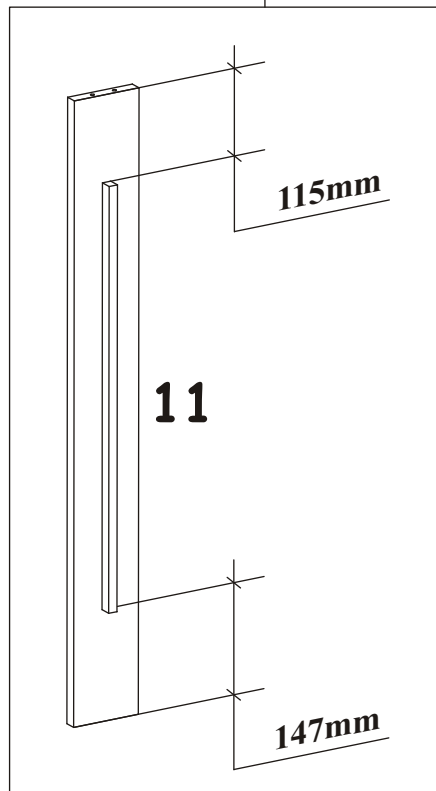
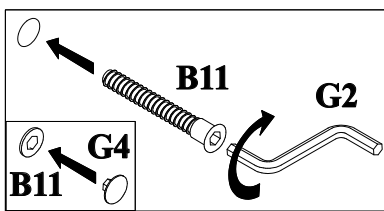
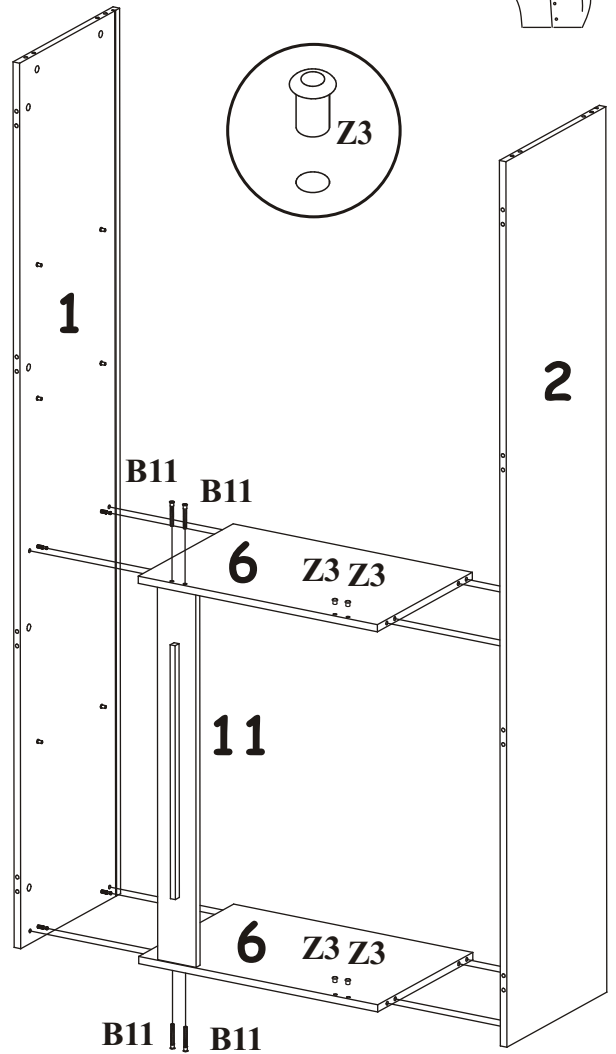
SYSTEM BOSTON TYPE 07 WS BOSTON I

24...BT

5



5

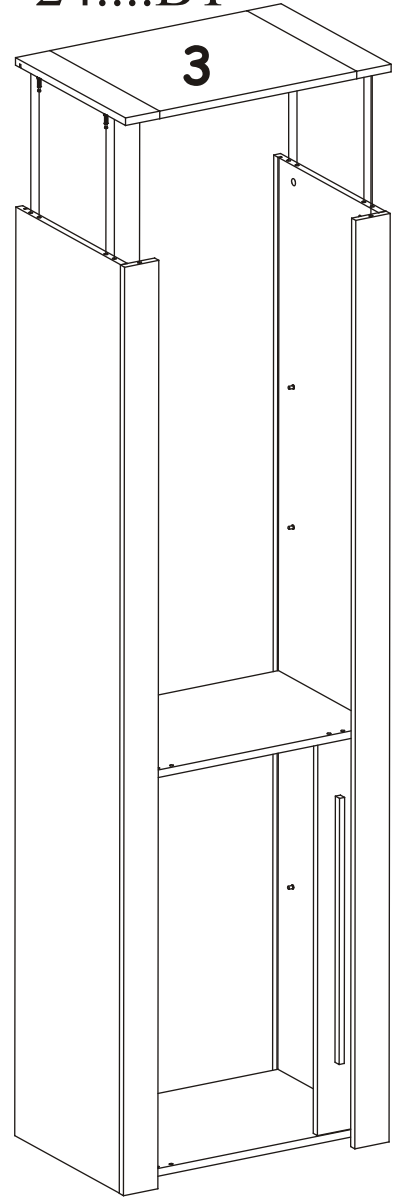
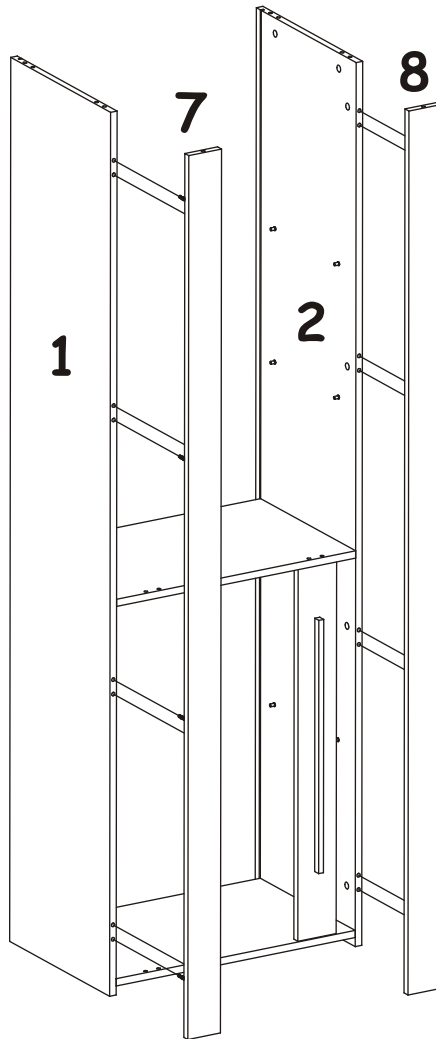
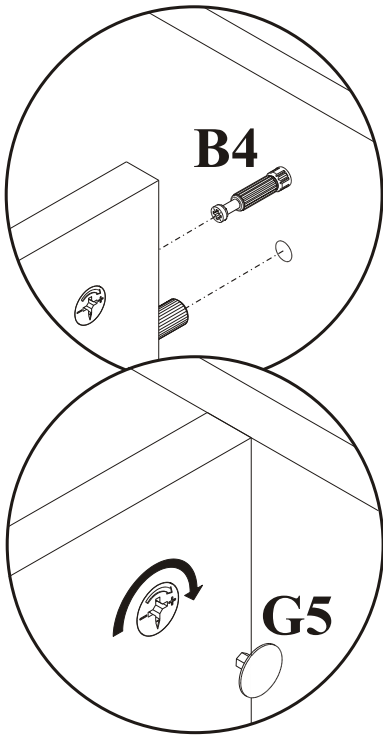


SYSTEM BOSTON
WS BOSTON I

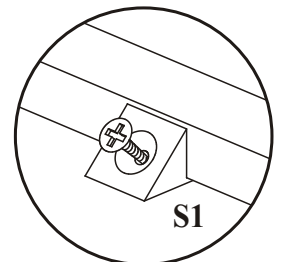
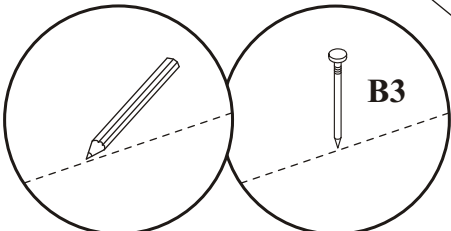
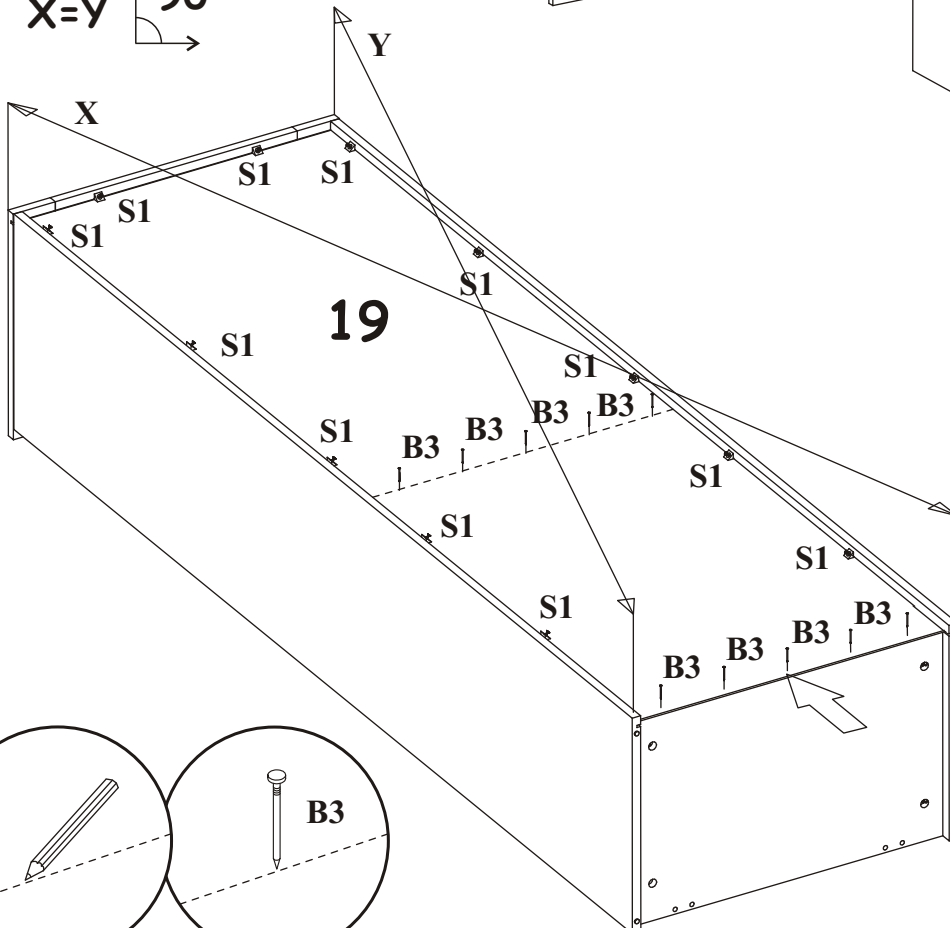
TYPE 07

24...BT

6



$X=Y$ 90°



SYSTEM BOSTON
WS BOSTON I

TYPE 07

24...BT

7

