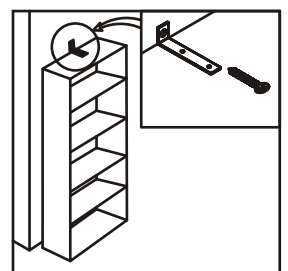
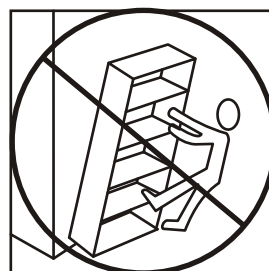
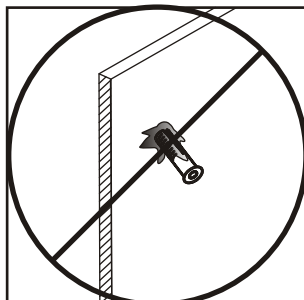
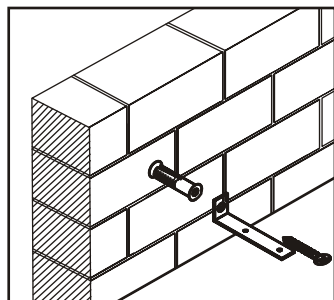
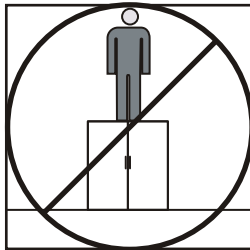
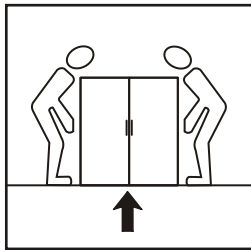
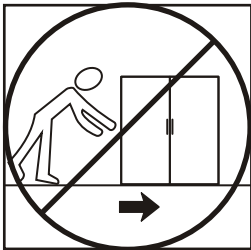
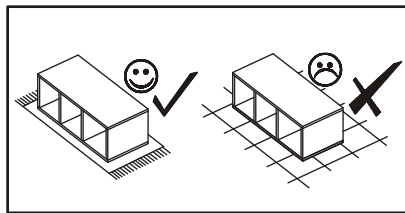
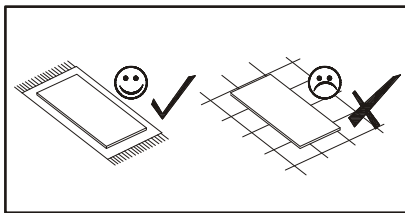
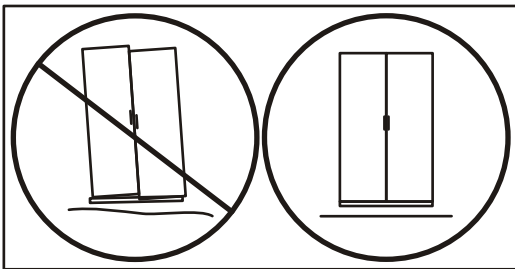
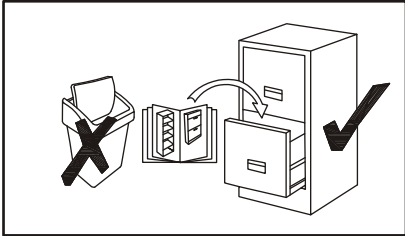
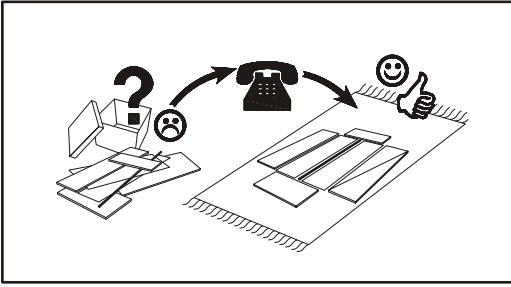


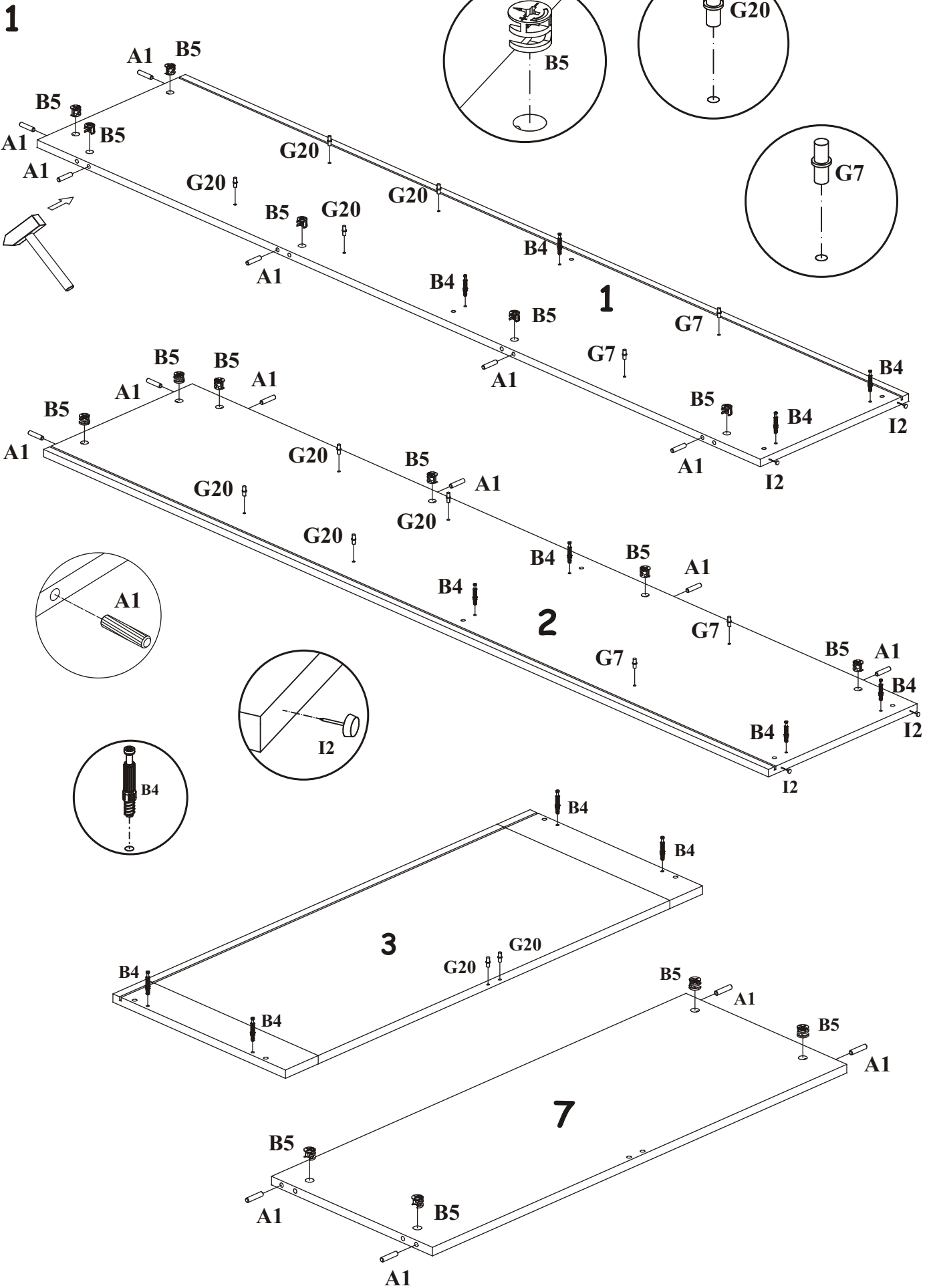
KR1 X1		L1 X1		B3 X20	 Ø1,4x25	D6 X2	 USØ3,5x30	G7 X4		S1 X16	
A1 X22	 ø8x36	B4 X20		B5 X20	 ø15x12	G5 X20		B11 X4	 Ø7x50	G4 X4	
E13 X6		E2 X6	 H=0	UP13 X16	 UPØ3x16	I2 X4		UP15 X3	 UPØ4x25	P2 X16	
ST3 X1		D10 X14	 USØ3,5x13	G20 X10		G2 X1					



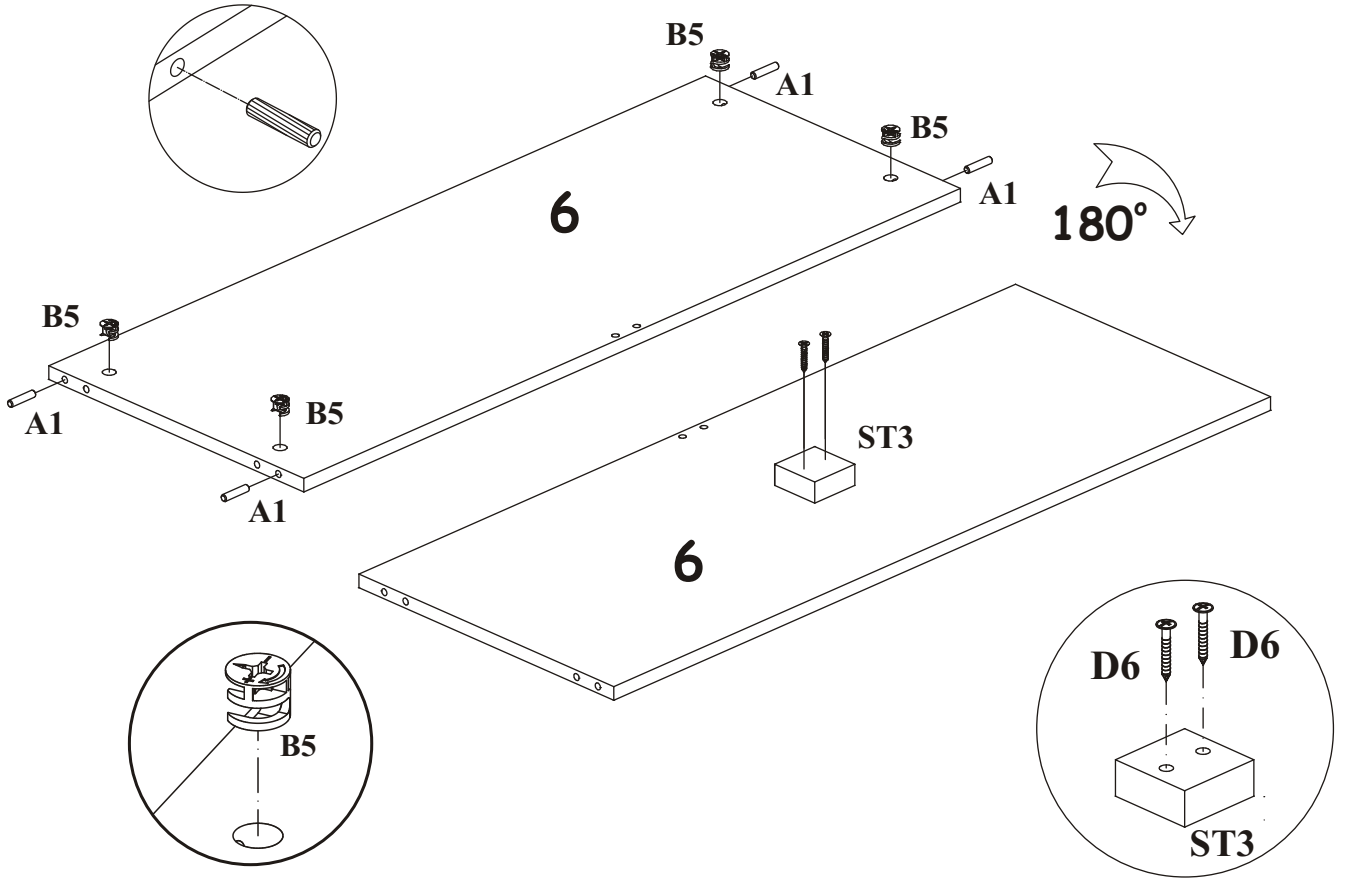
BOSTON

TYPE 08

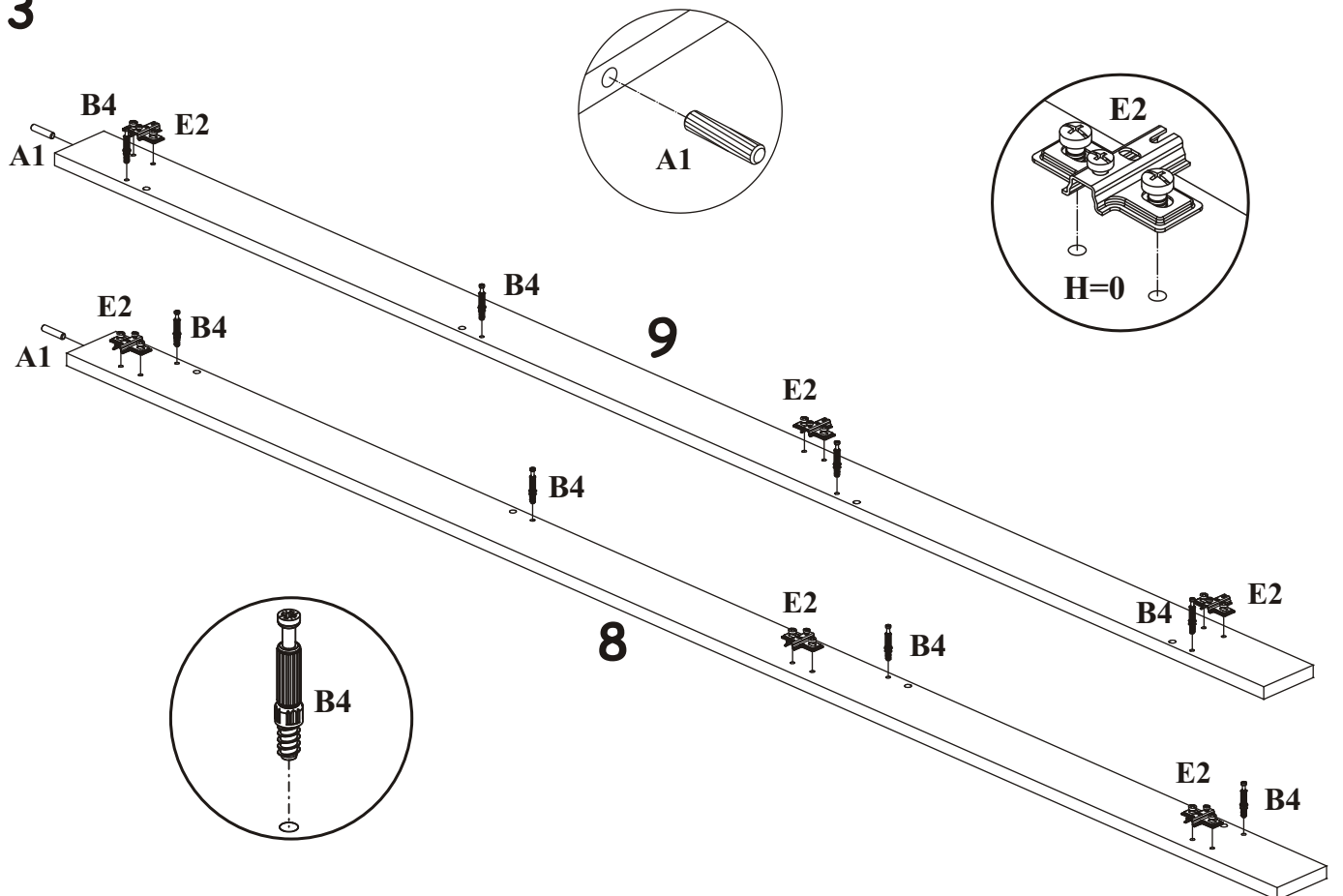
24 BT



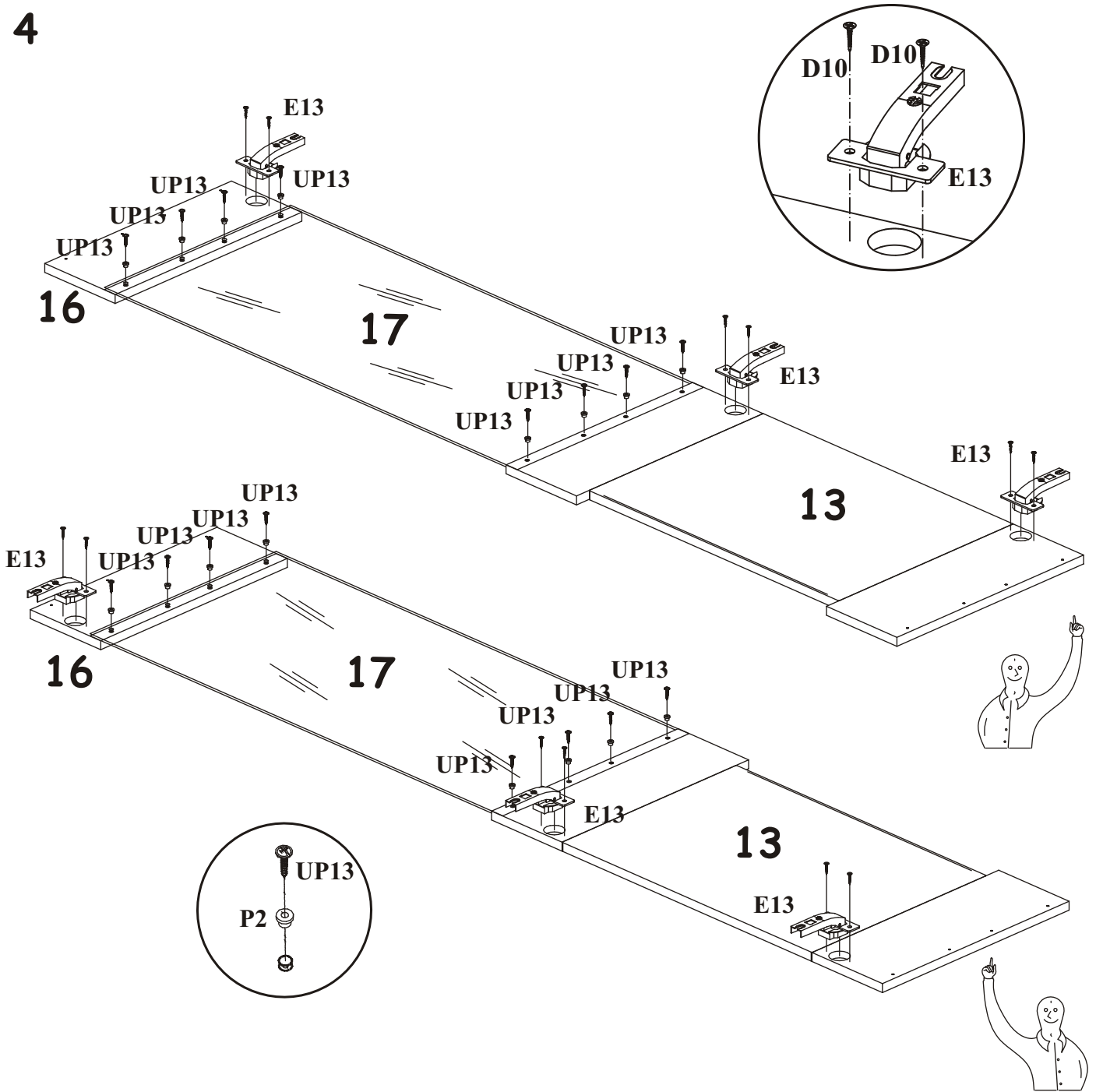
2



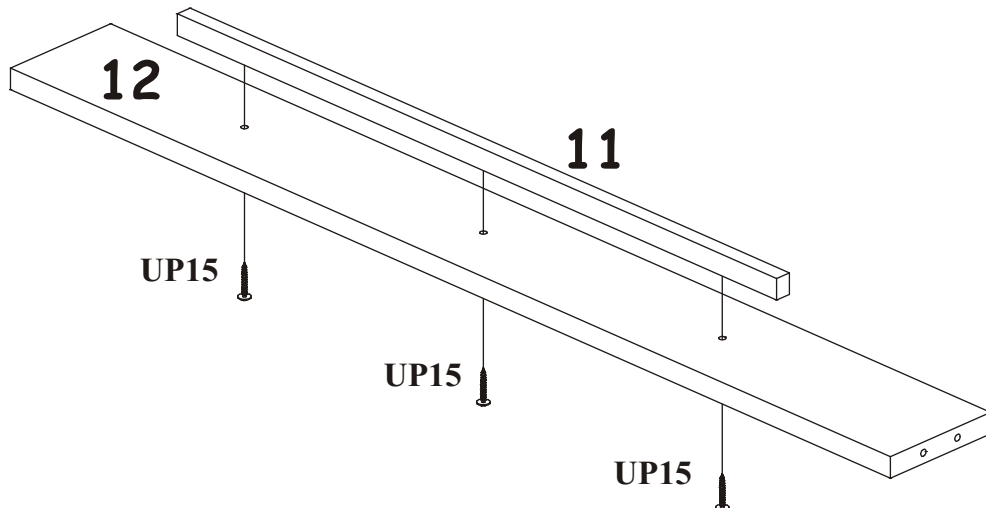
3



4



5

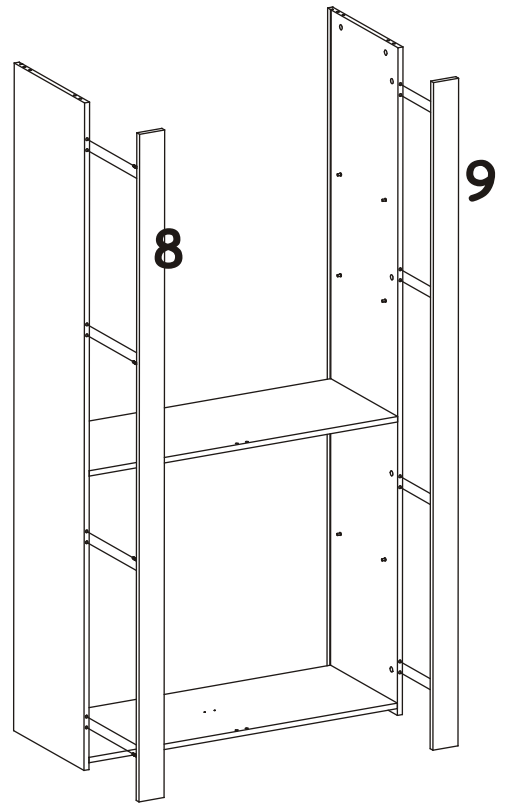
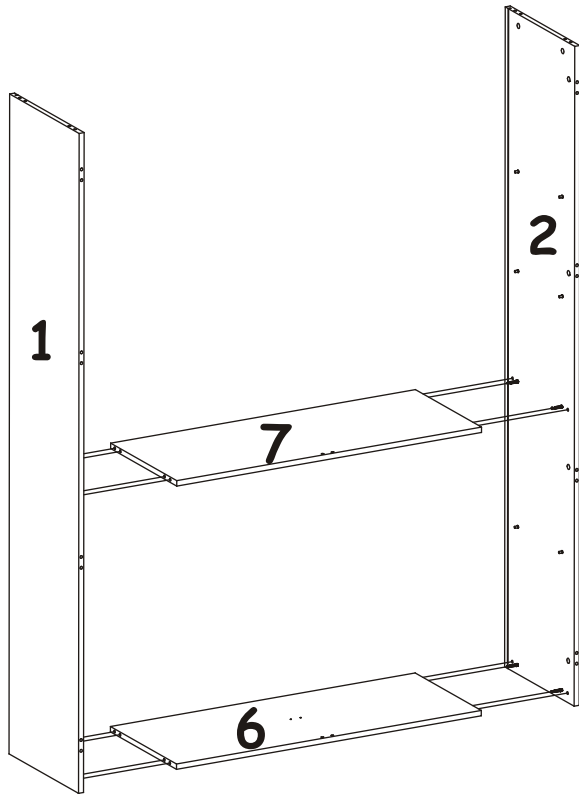


BOSTON

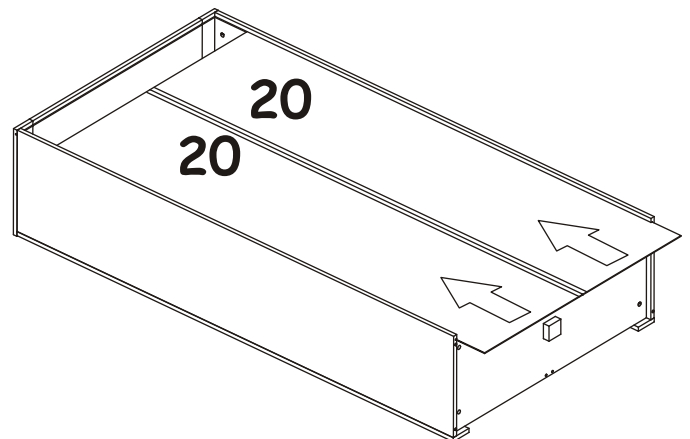
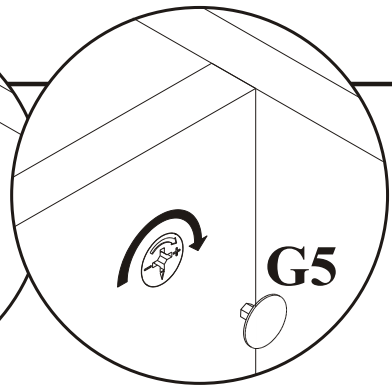
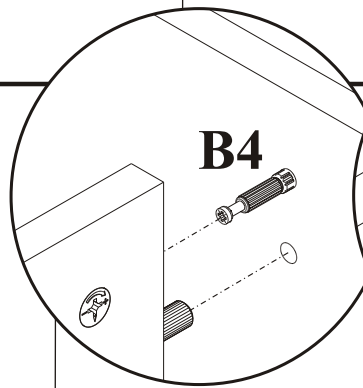
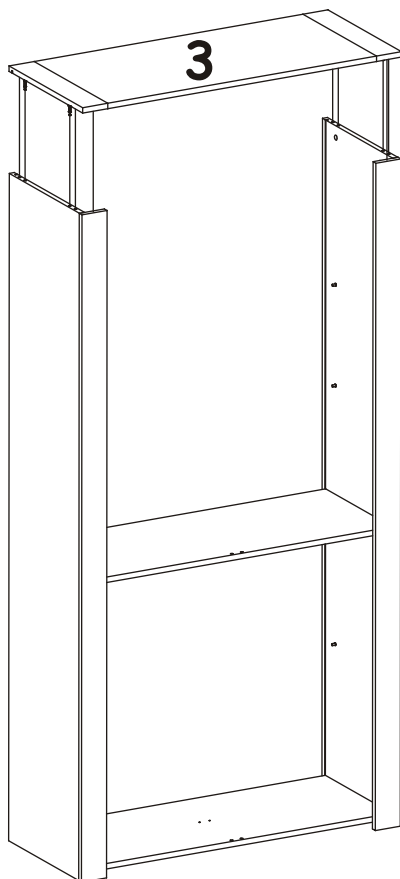
7 TYPE 08

24 BT

6



8



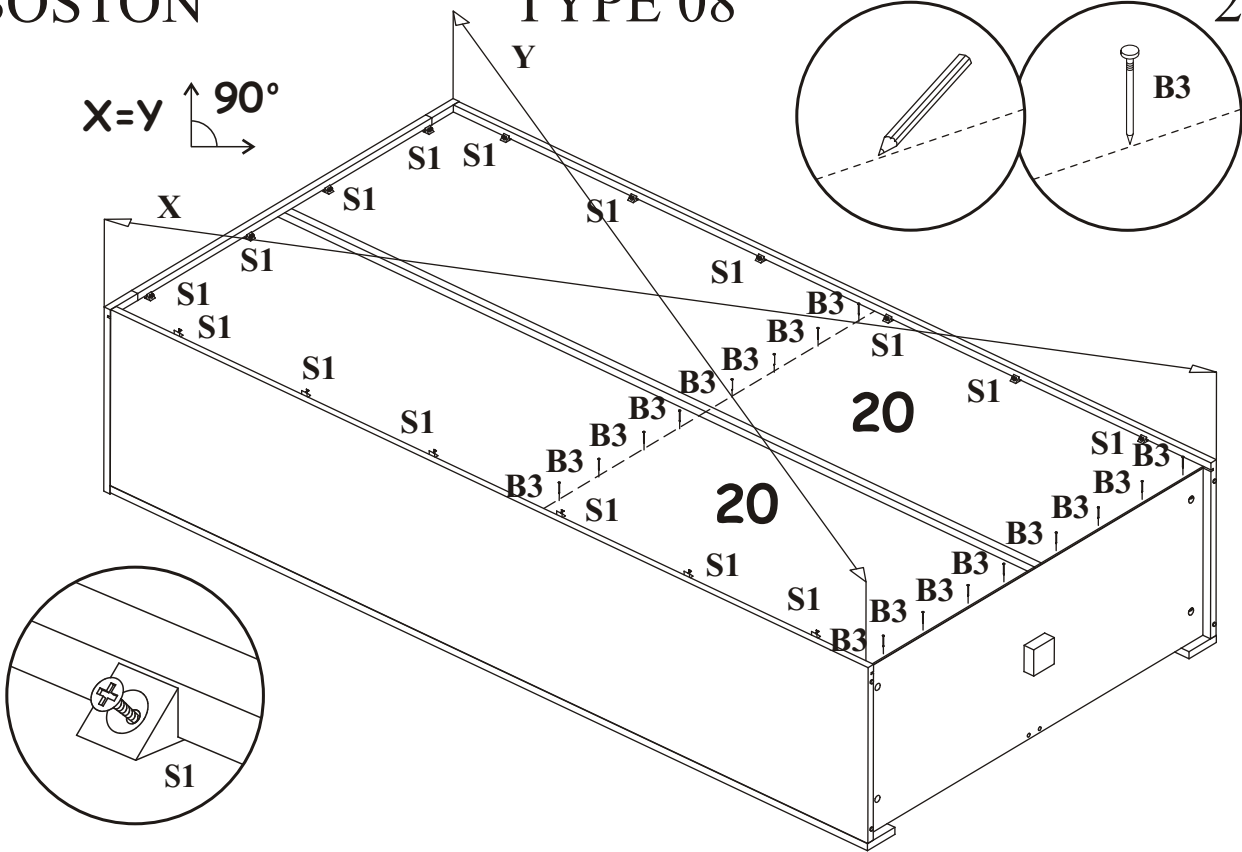
BOSTON

TYPE 08

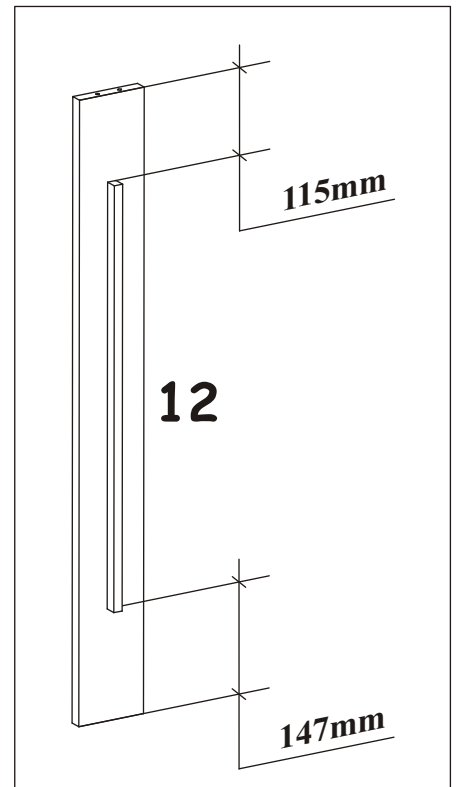
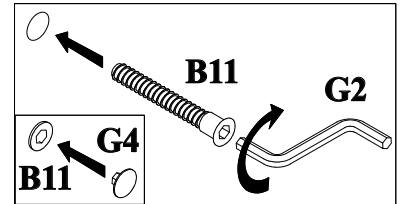
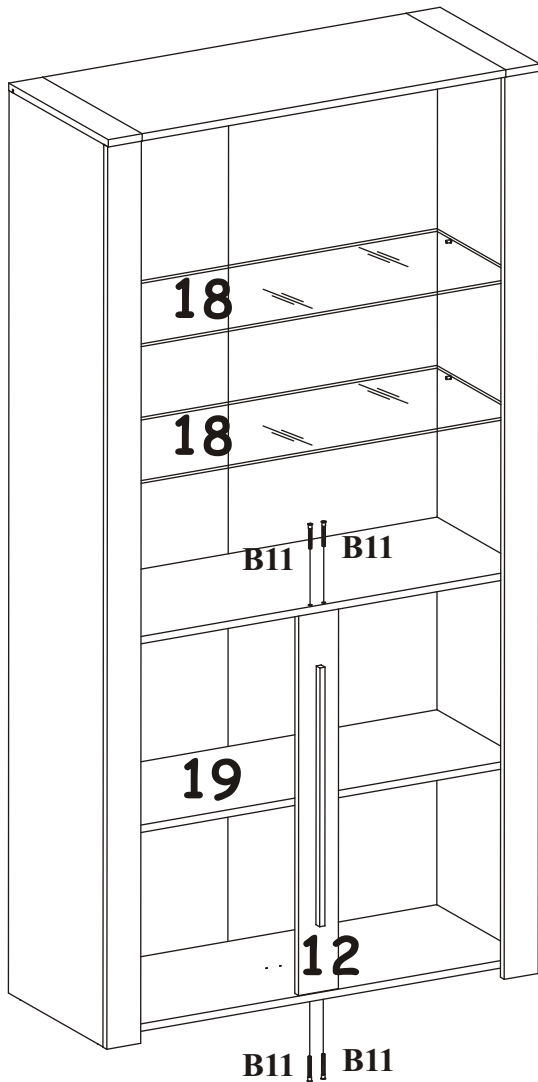
24 BT

9

X=y 90°



10



BOSTON

TYPE 08

24 BT

11

