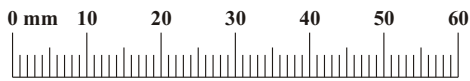
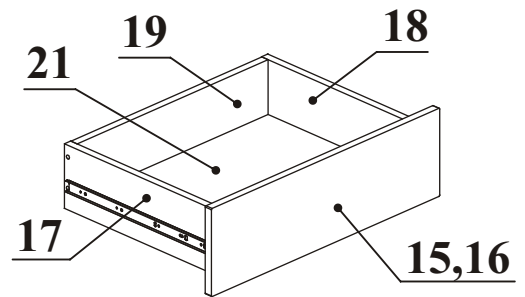
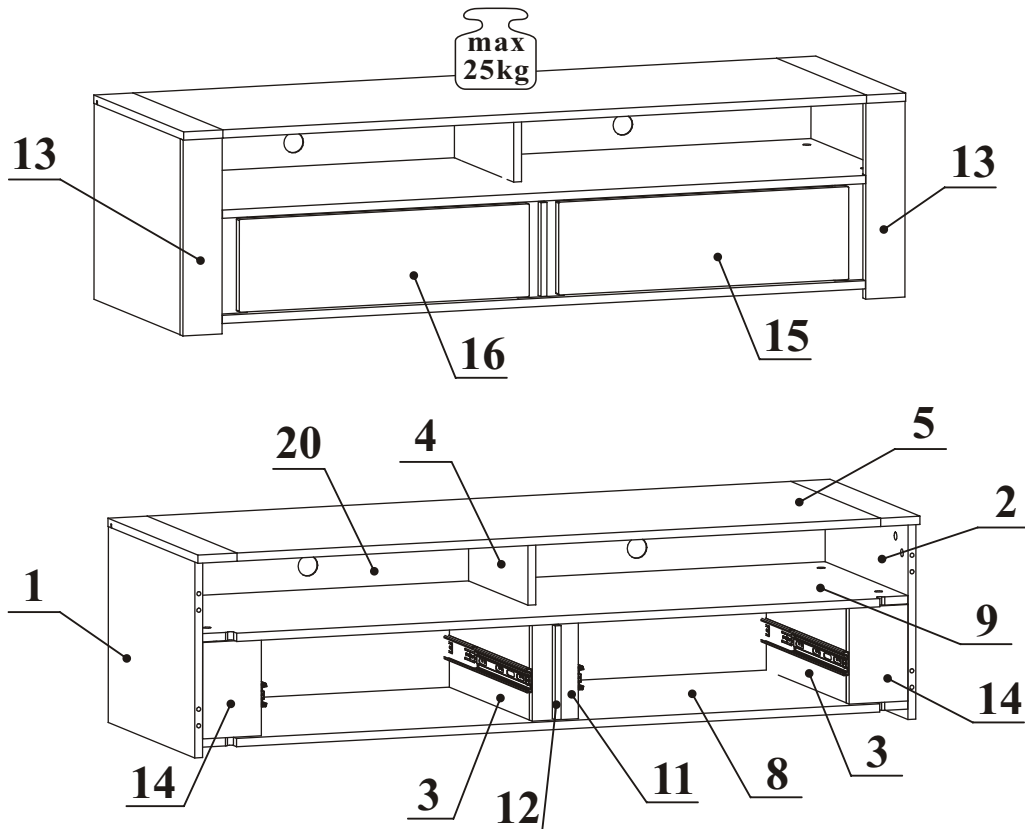


SYSTEM BOSTON
RTV BOSTON

TYPE 11

24...BT

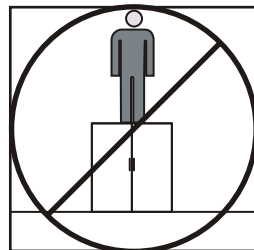
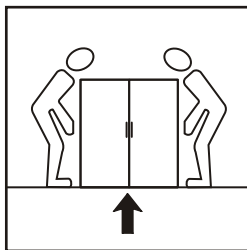
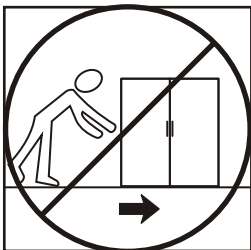
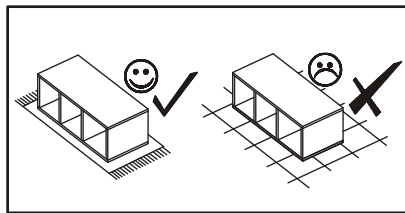
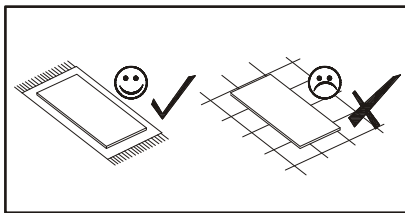
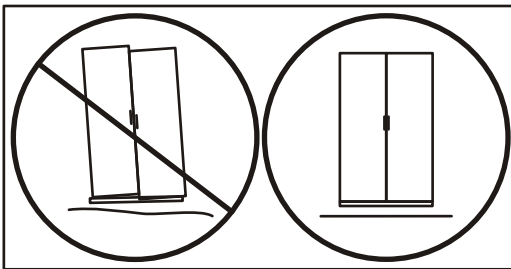
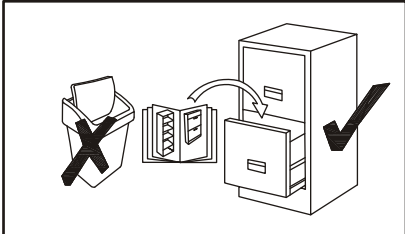
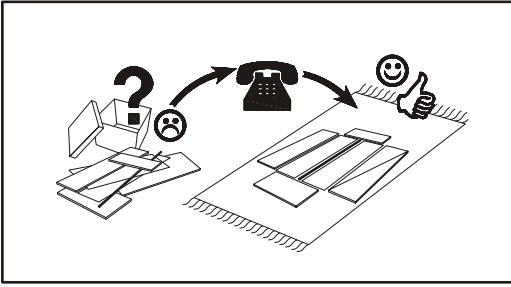


A1 X42 ø8x36	B4 X24	B5 X24 ø15x12				90 min
B3 X20 Ø1,4x25	H8 X2 L-400	D6 X2 USØ3,5x30	S1 X8	G5 X24	B11 X22 Ø7x50	
ST3 X1	I2 X4	D8 X24 ESØ5x13	G2 X1	UP15 X2 UPØ3,5x25	G4 X22	

SYSTEM BOSTON
RTV BOSTON

TYPE 11

24...BT

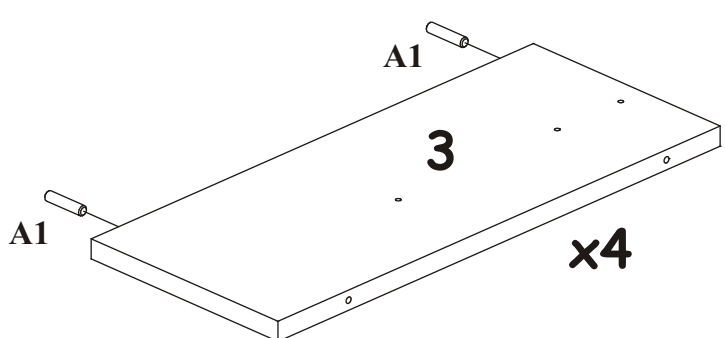
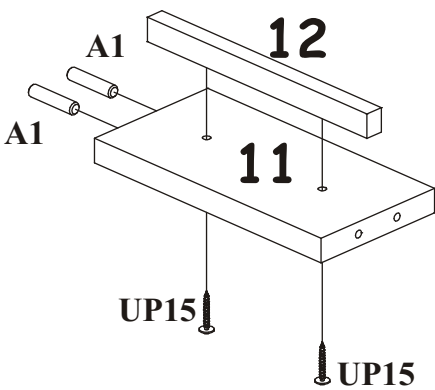
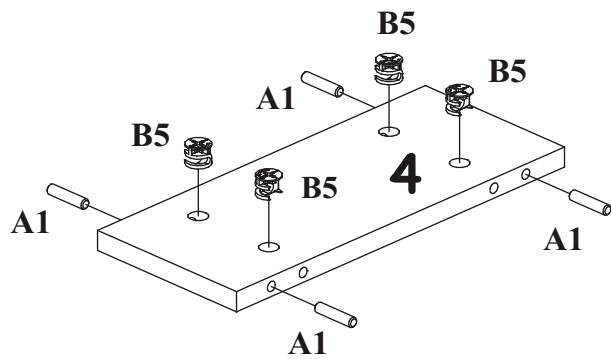
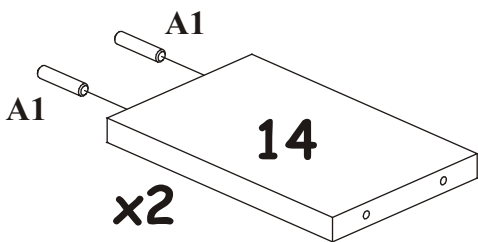
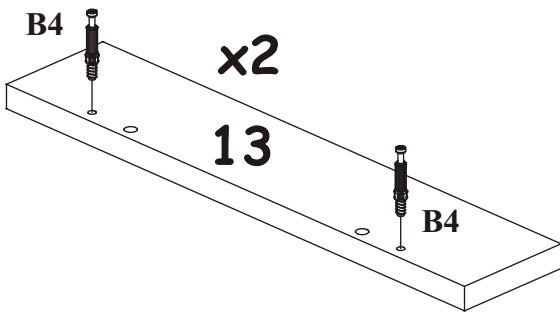
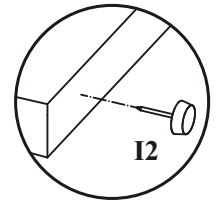
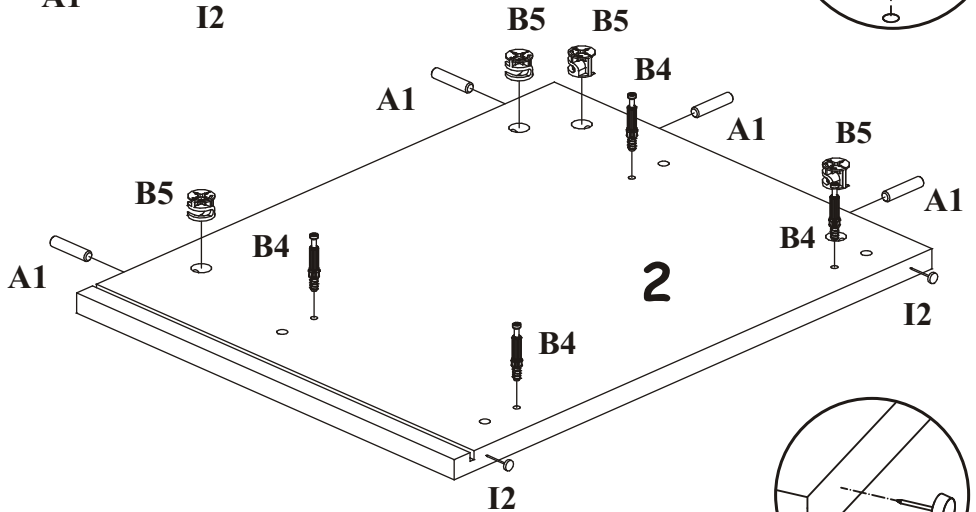
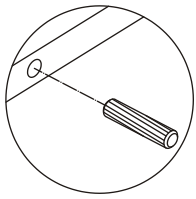
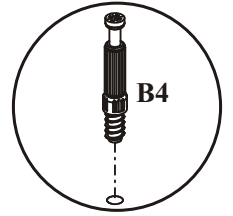
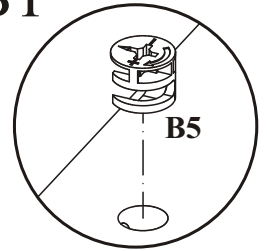
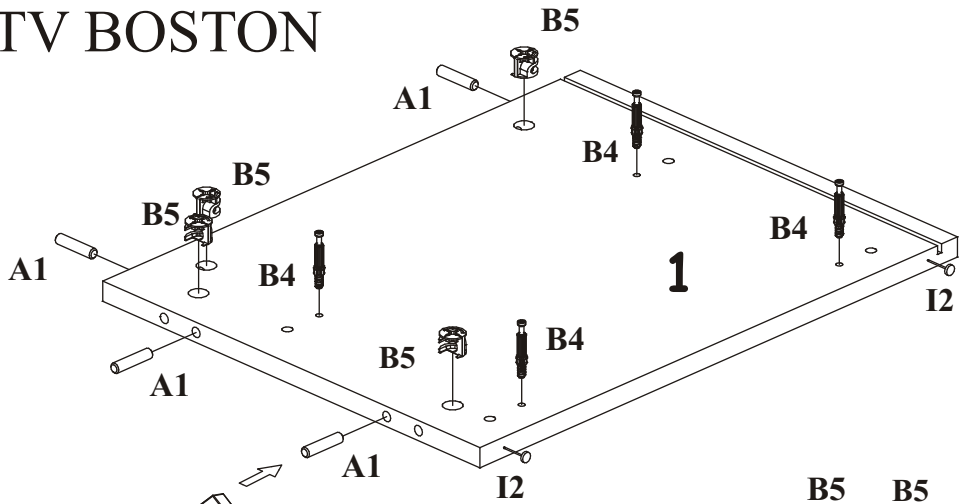


SYSTEM BOSTON RTV BOSTON

TYPE 11

24...BT

1

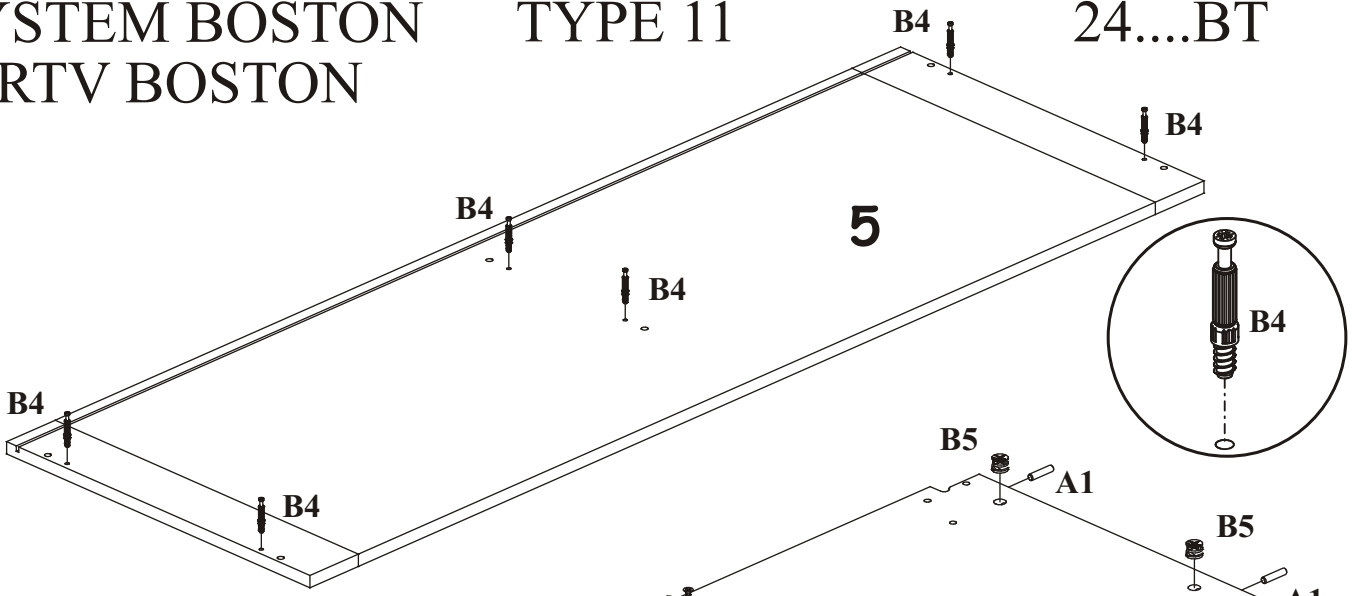


SYSTEM BOSTON
RTV BOSTON

TYPE 11

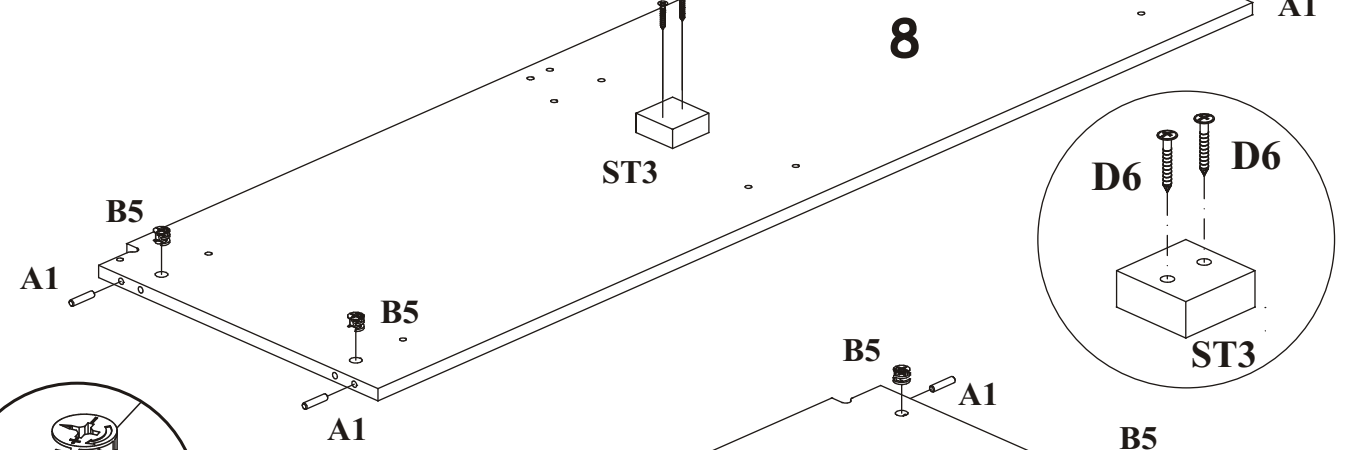
24....BT

2



5

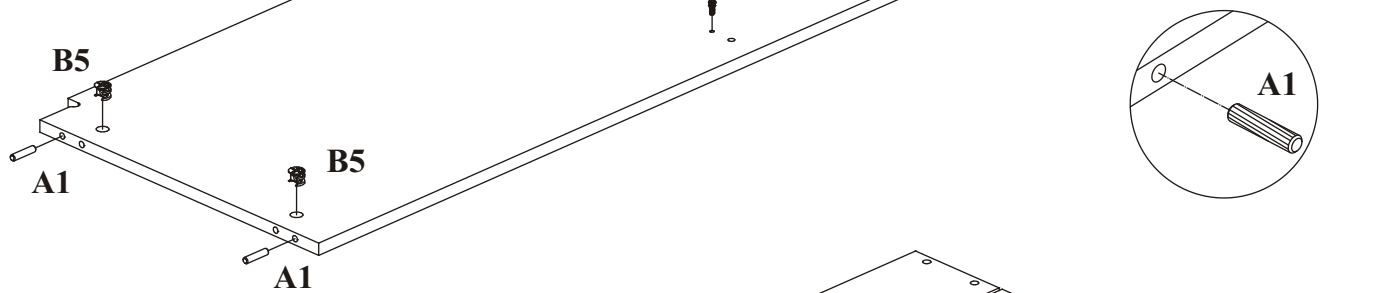
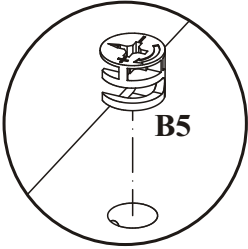
8



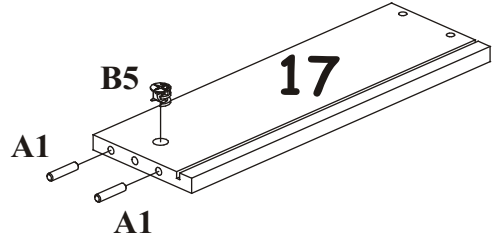
D6

ST3

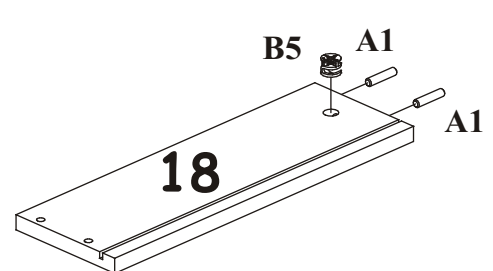
9



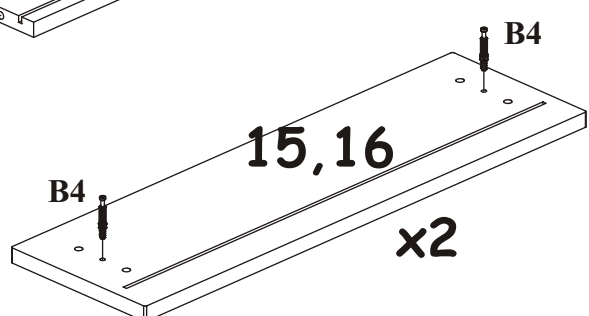
A1



17



18



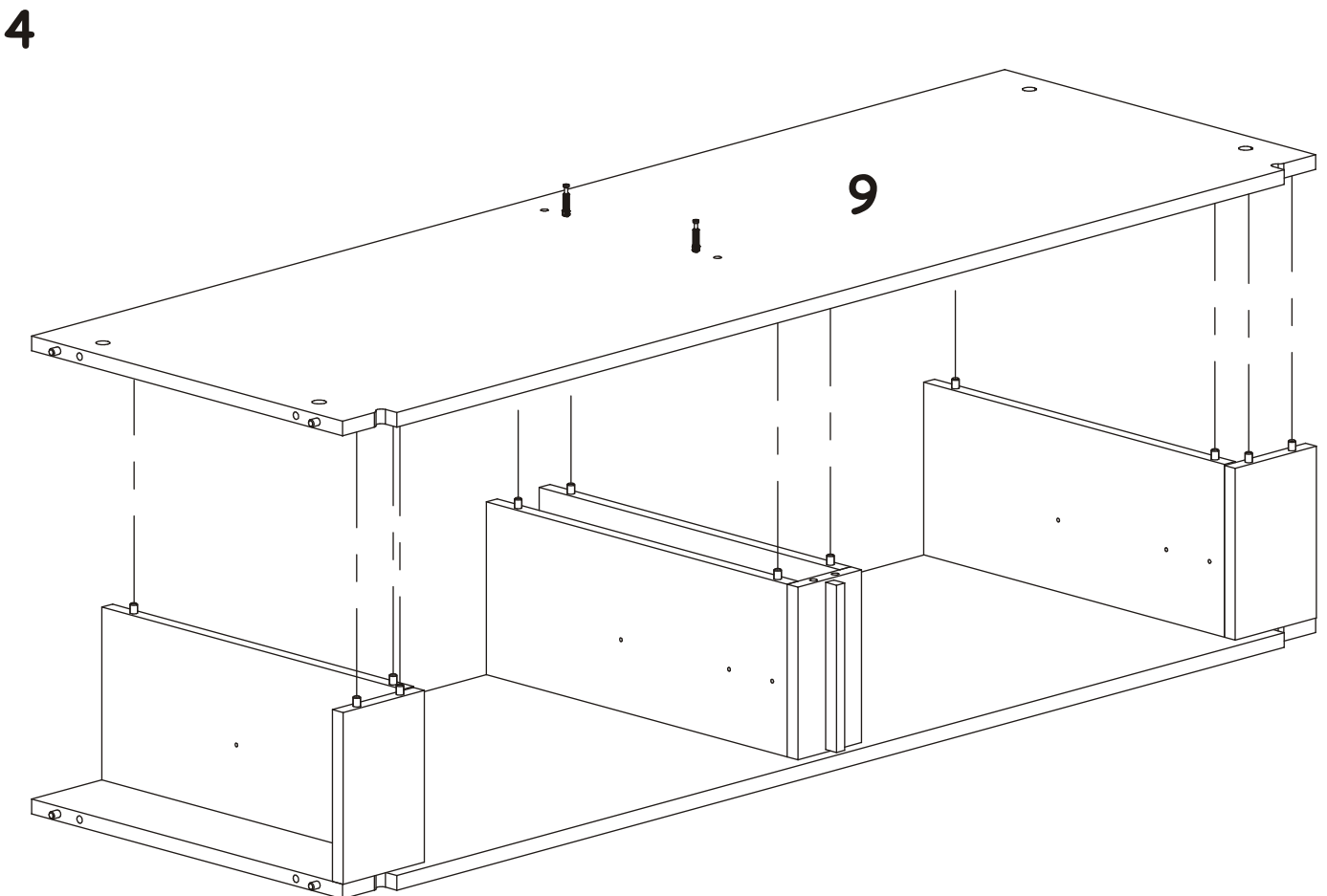
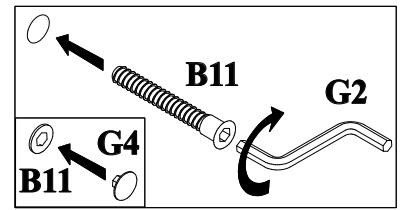
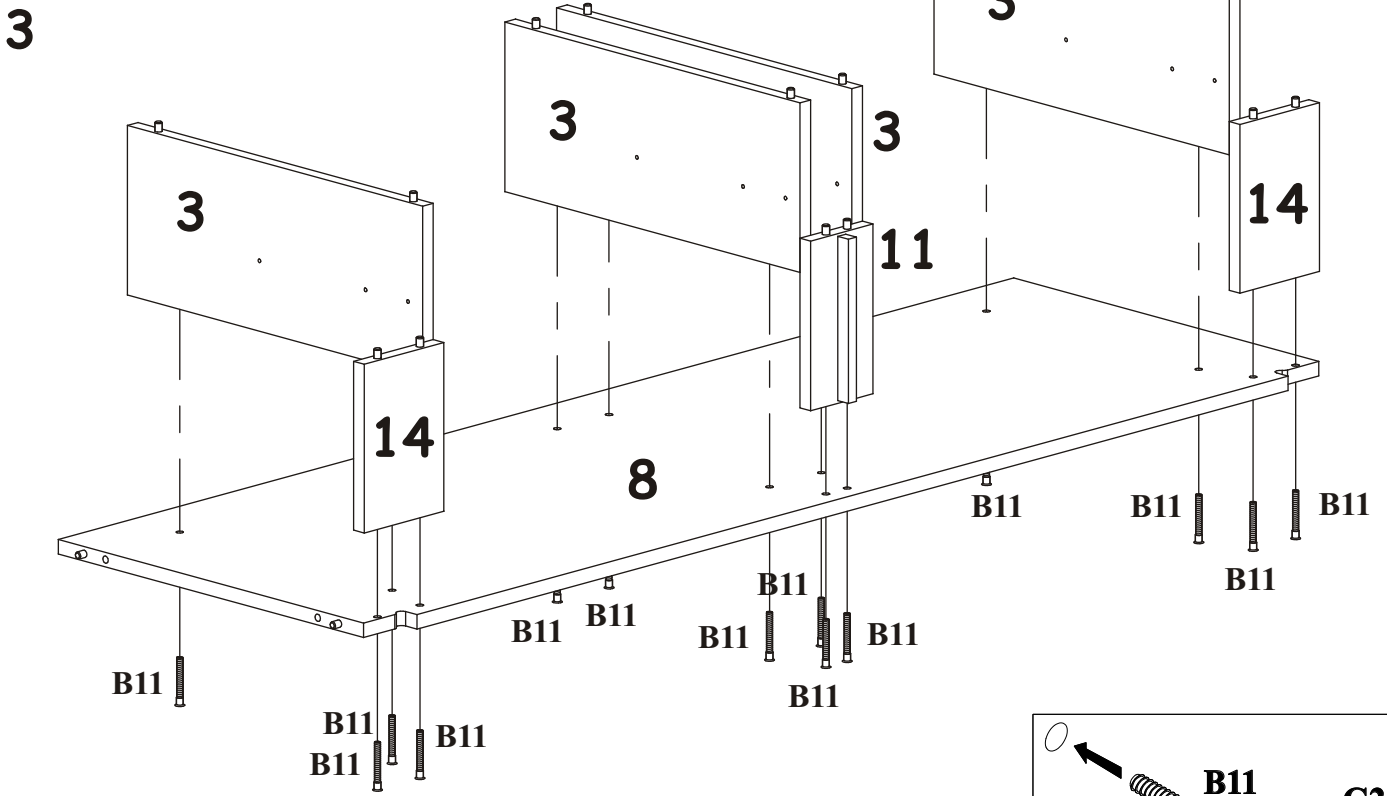
15,16

x2

SYSTEM BOSTON
RTV BOSTON

TYPE 11

24...BT

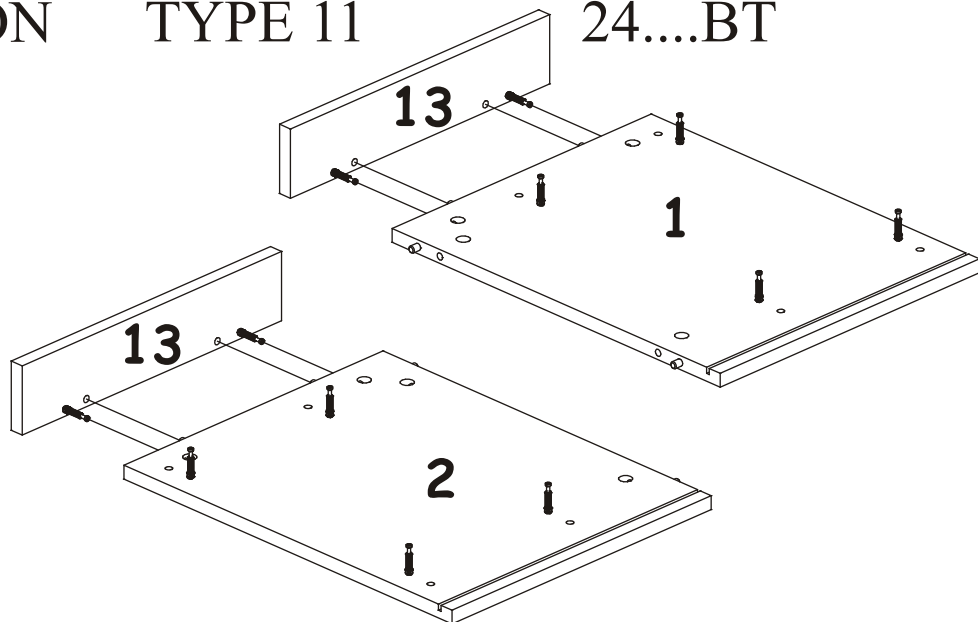
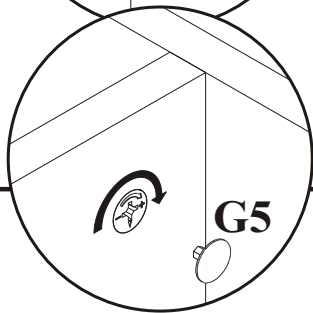
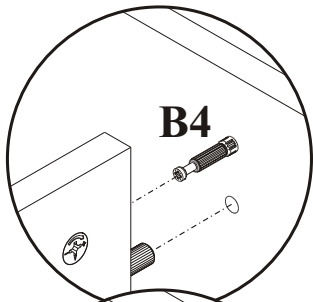


SYSTEM BOSTON
RTV BOSTON

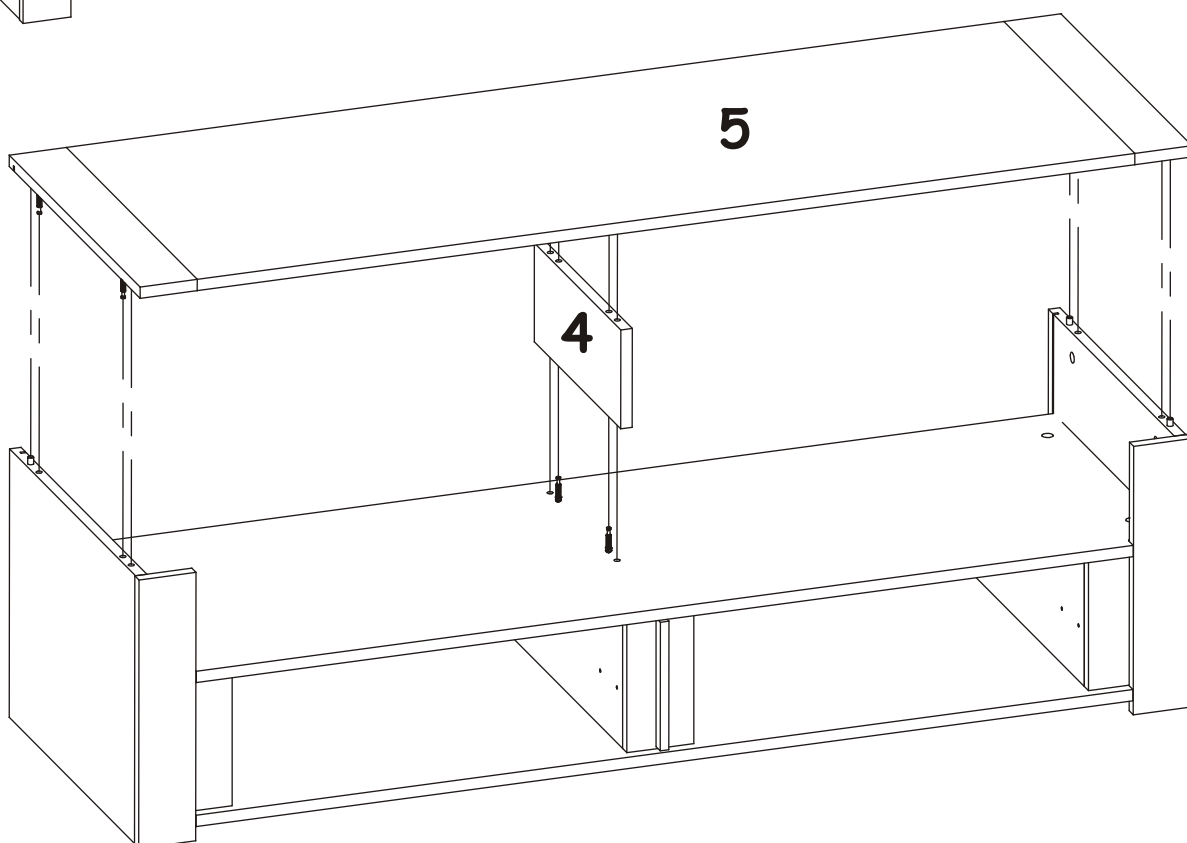
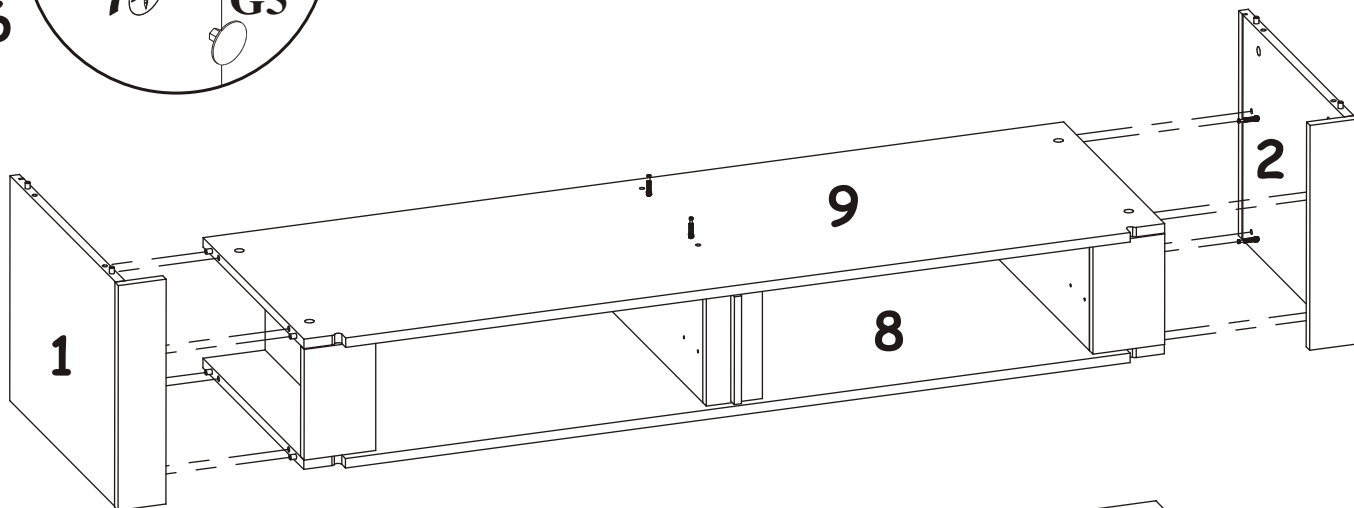
TYPE 11

24...BT

5



6

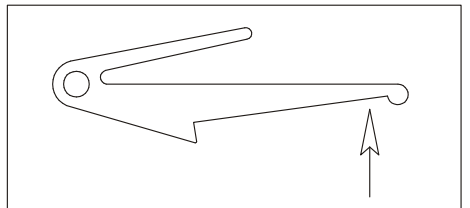
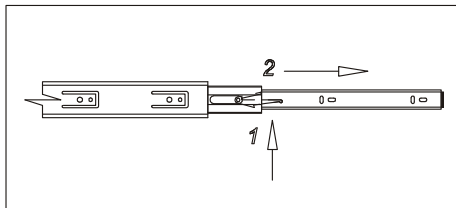
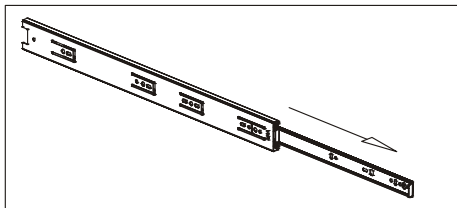
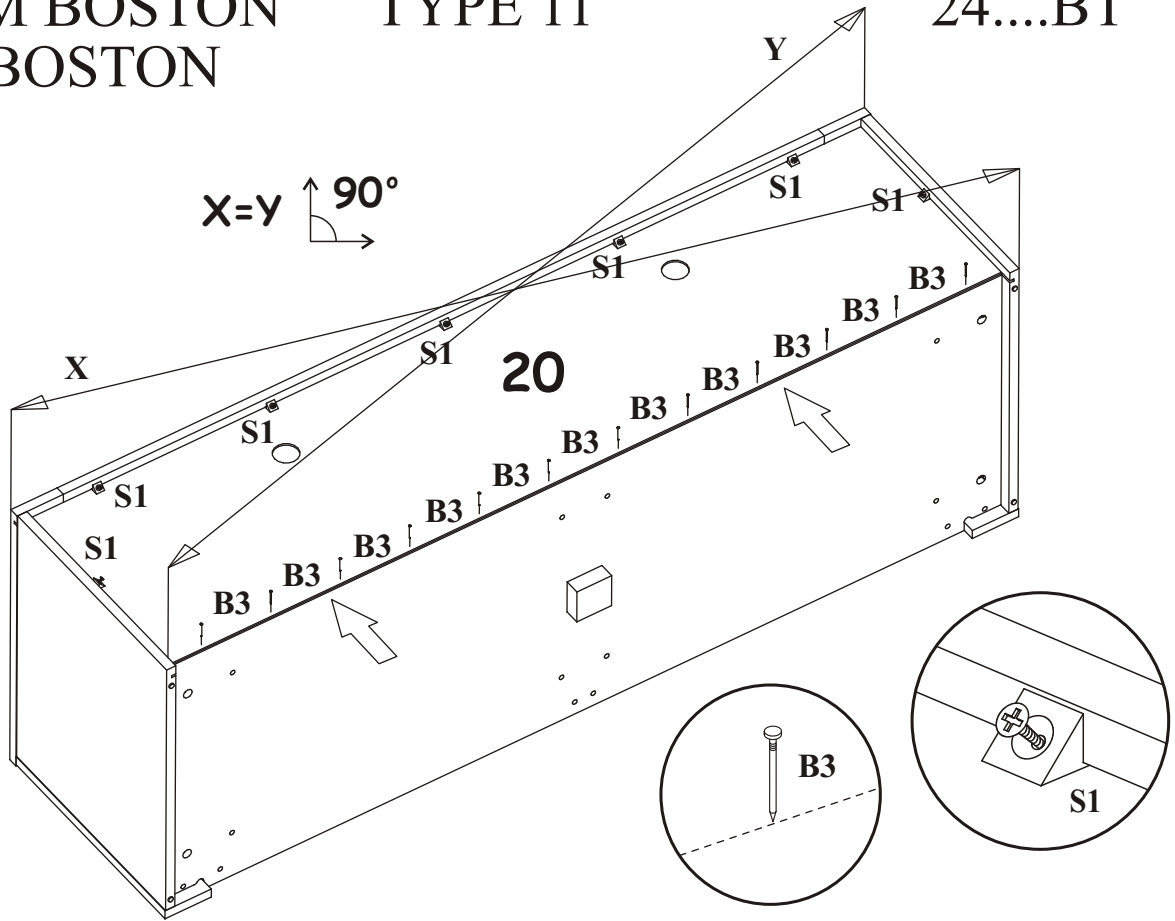


SYSTEM BOSTON
RTV BOSTON

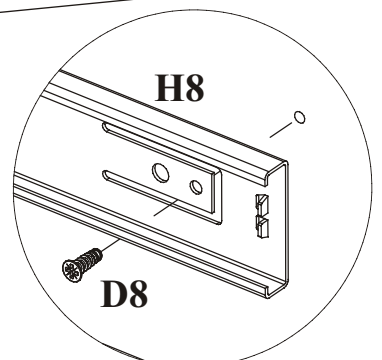
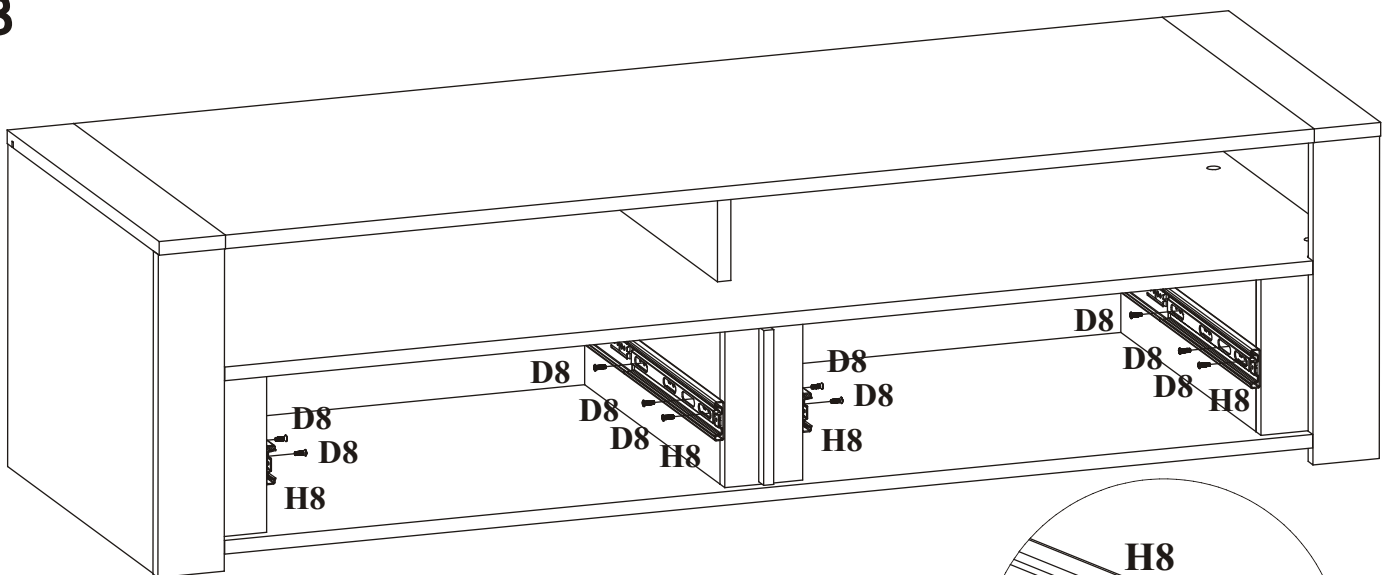
TYPE 11

24....BT

7



8

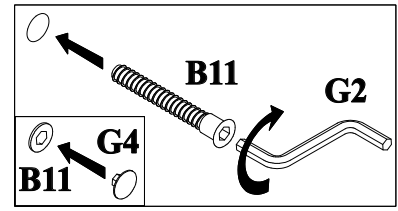
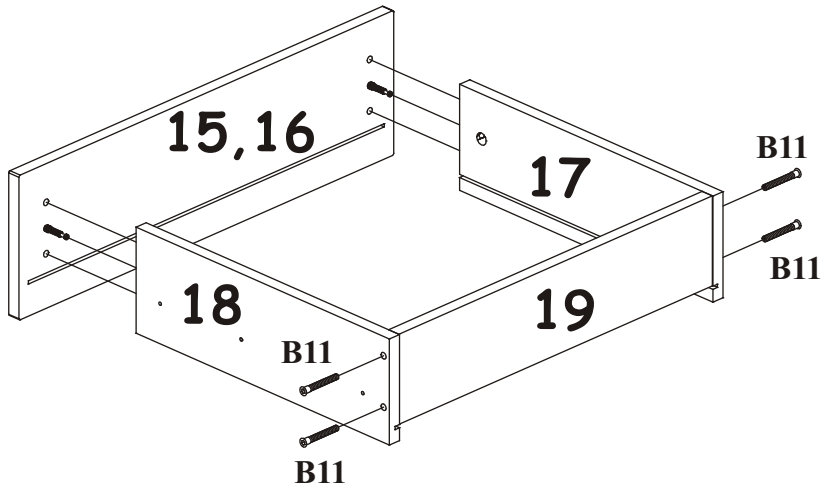


SYSTEM BOSTON
RTV BOSTON

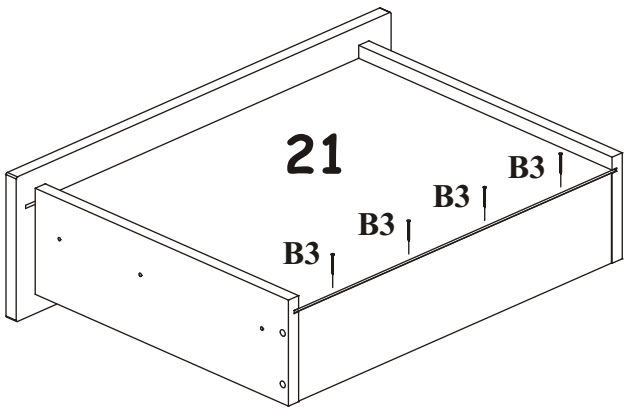
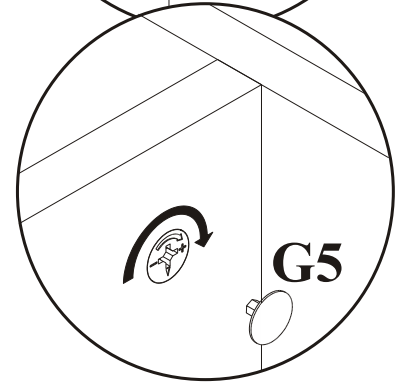
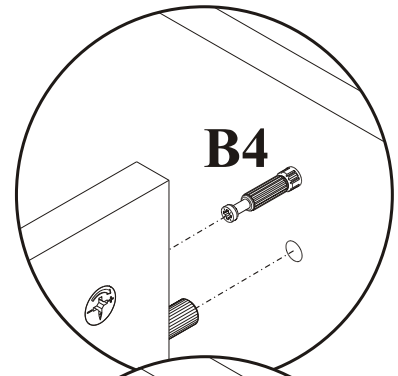
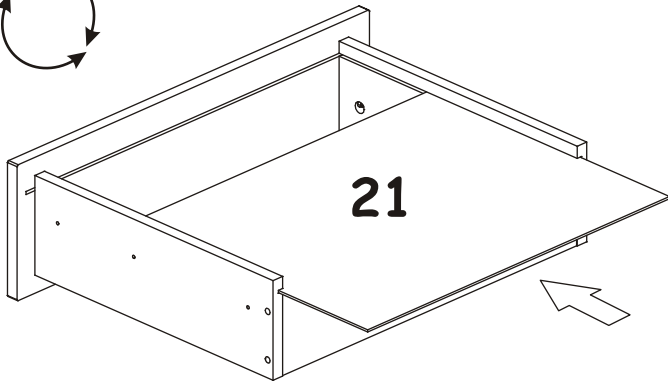
TYPE 11
x2

24...BT

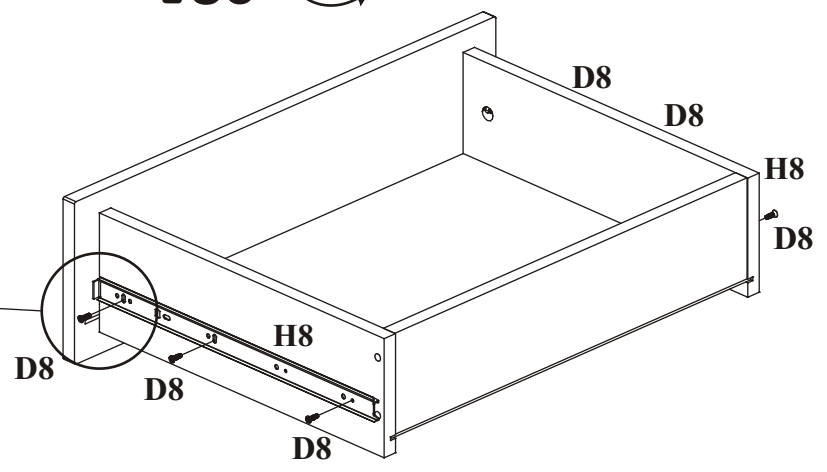
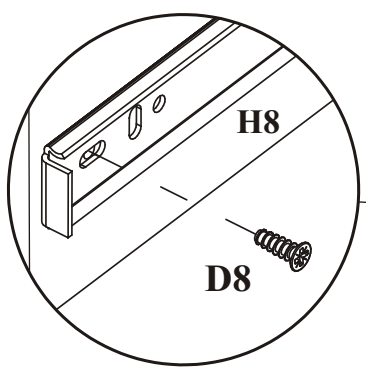
9



180°



180°



10

