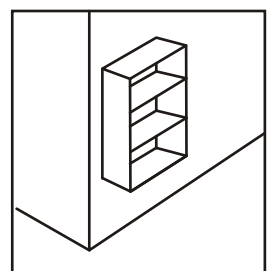
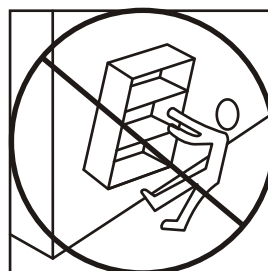
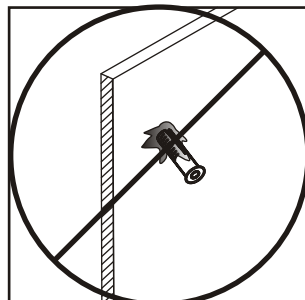
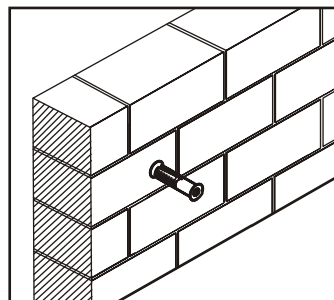
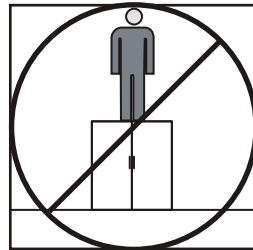
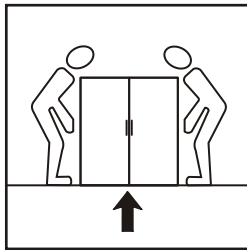
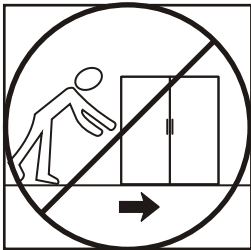
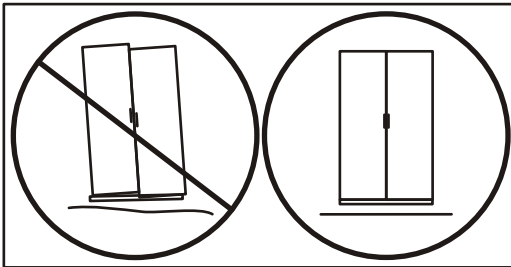
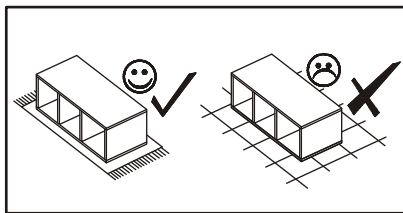
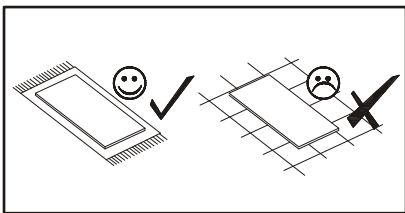
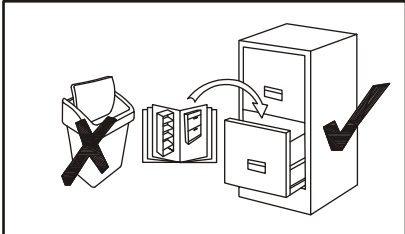
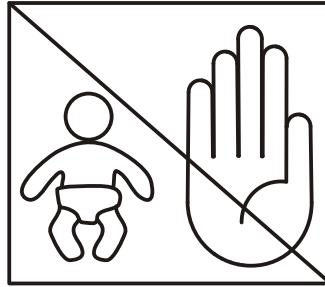
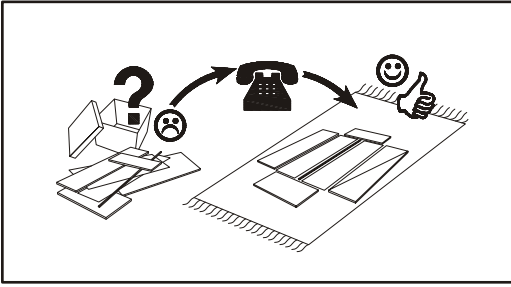


B4 X16		D8 X4	 ESØ5x13	G5 X16		KR2 X2	
A1 X4	 Ø8x36	A2 X12	 Ø8x20	B11 X6	 Ø7x50	B5 X16	 ø15x12
						G2 X1	
						ZM1 X2	

SYSTEM BOSTON
PW BOSTON

TYPE 13

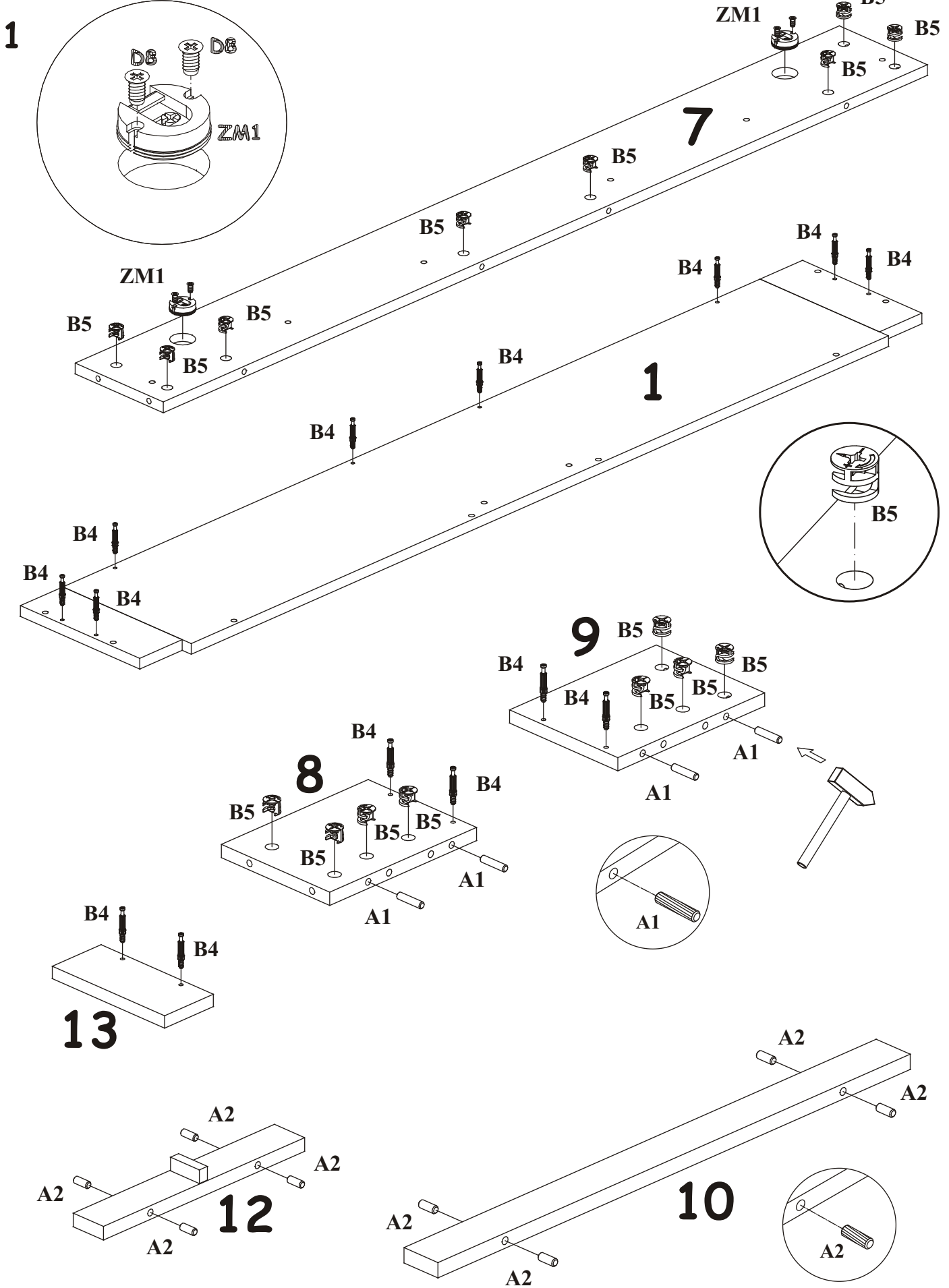
24...BT



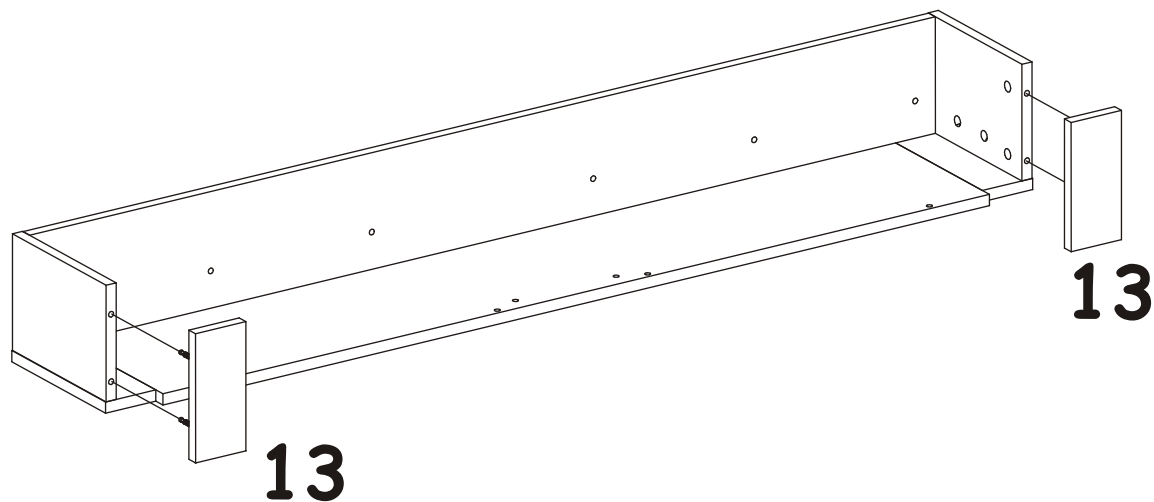
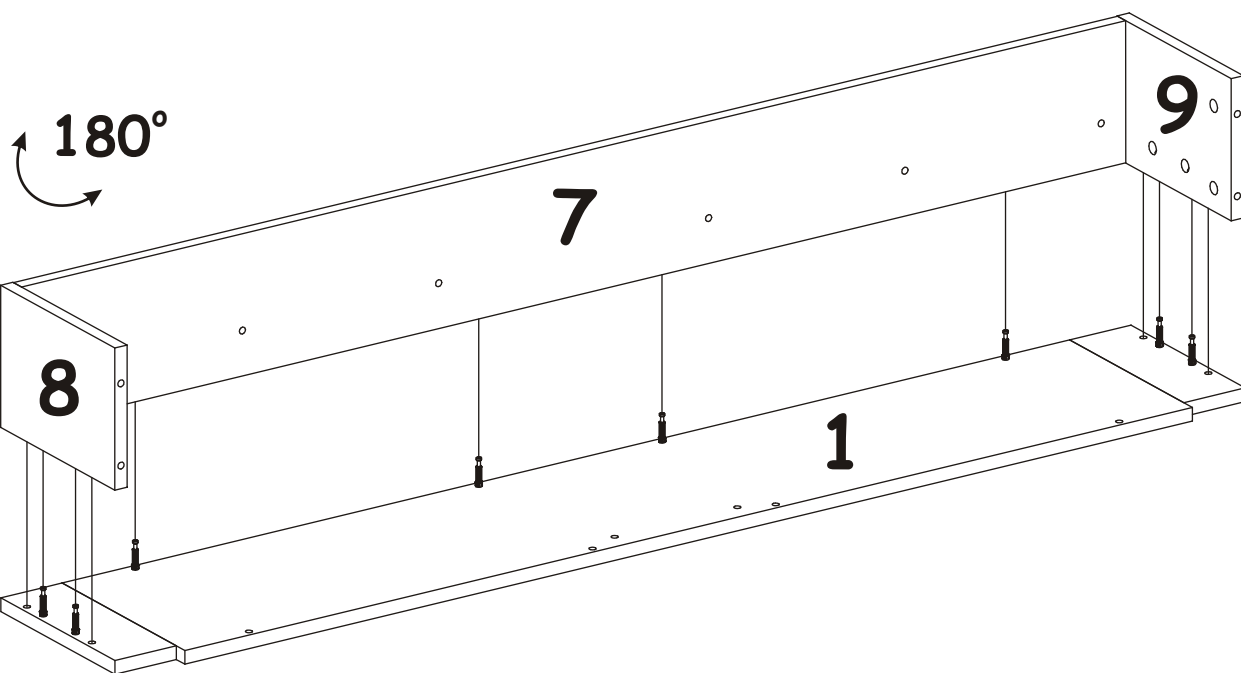
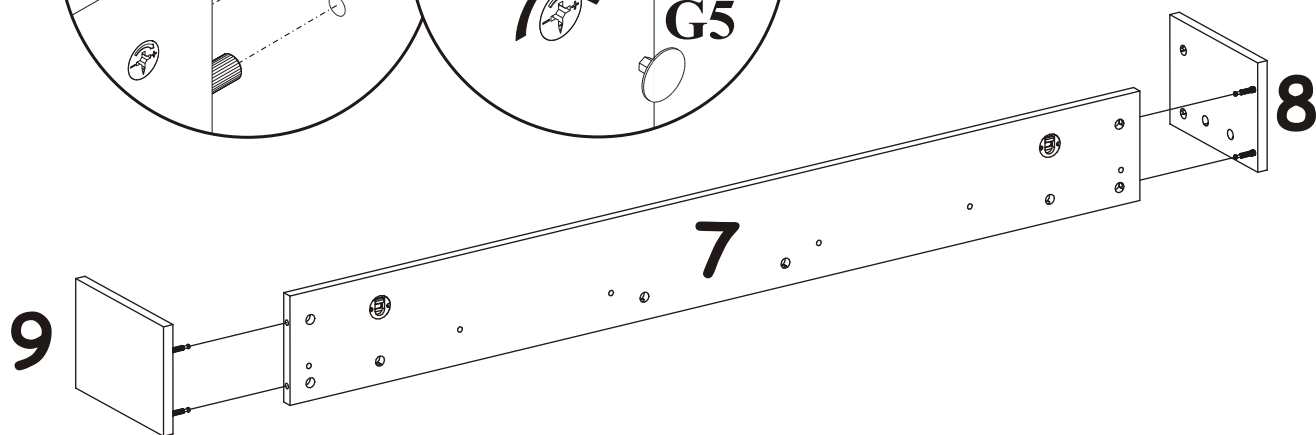
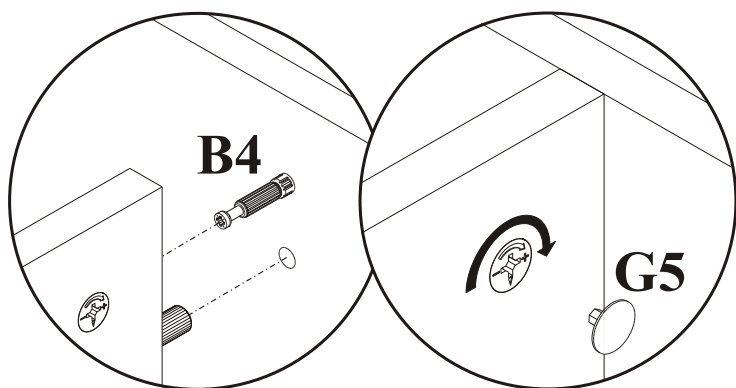
SYSTEM BOSTON
PW BOSTON

TYPE 13

24...BT



2

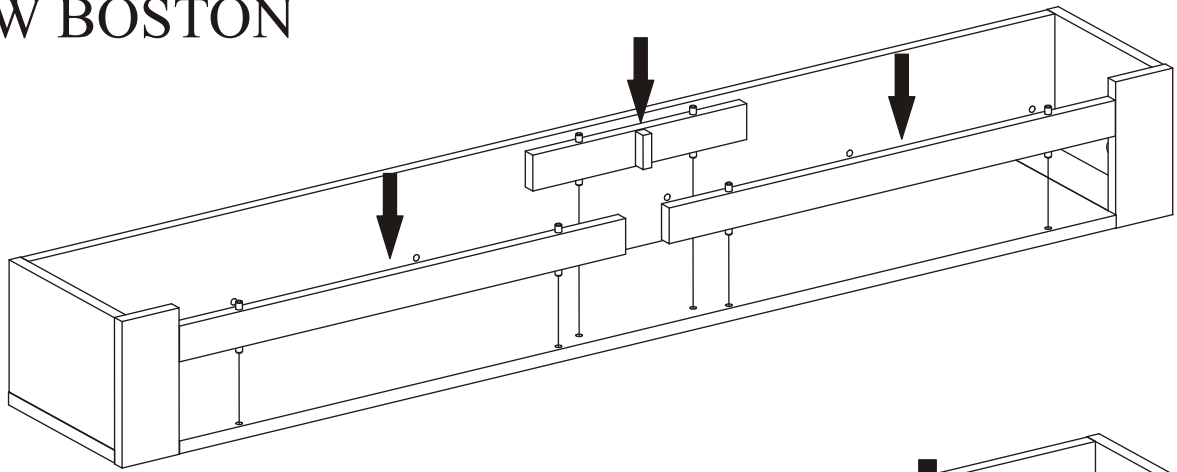


SYSTEM BOSTON
PW BOSTON

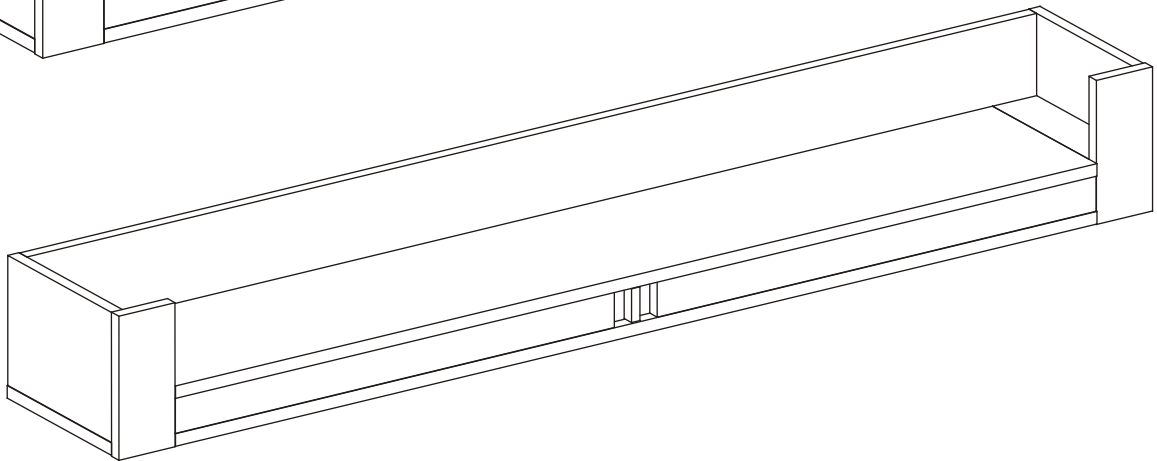
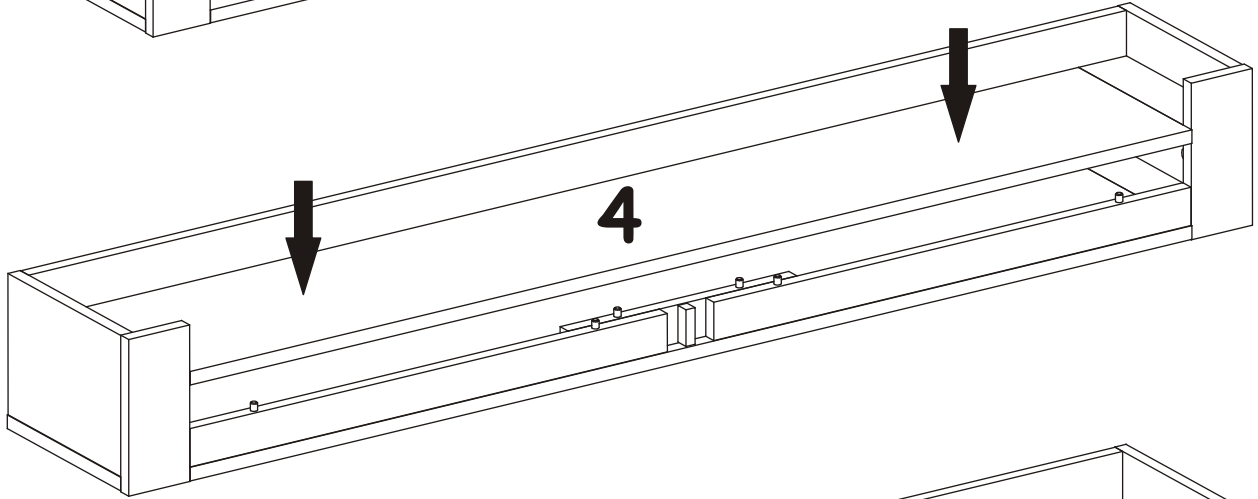
TYPE 13

24...BT

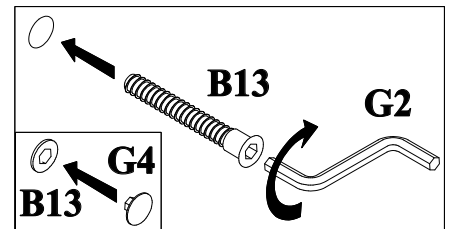
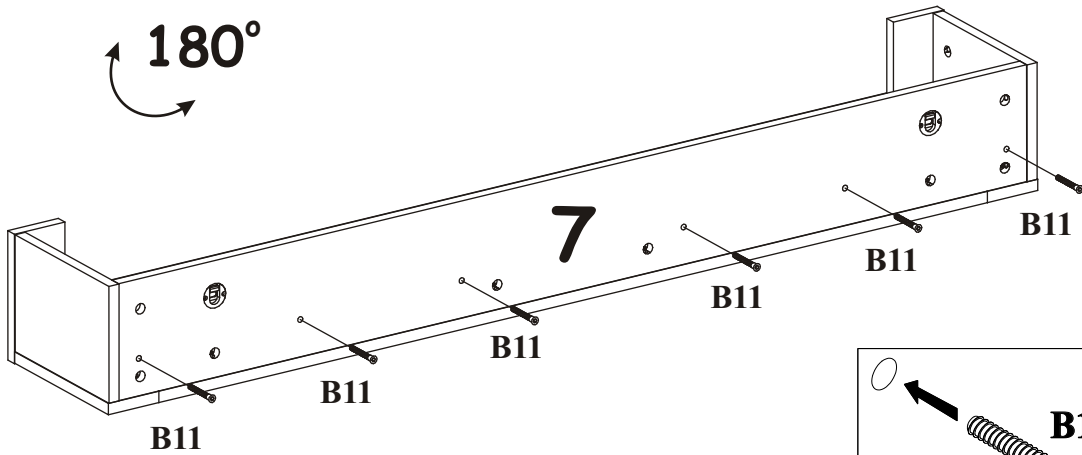
3



4



180°

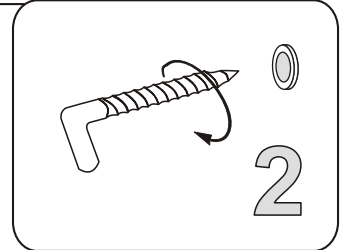
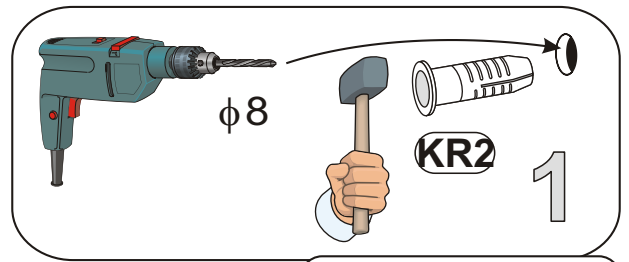
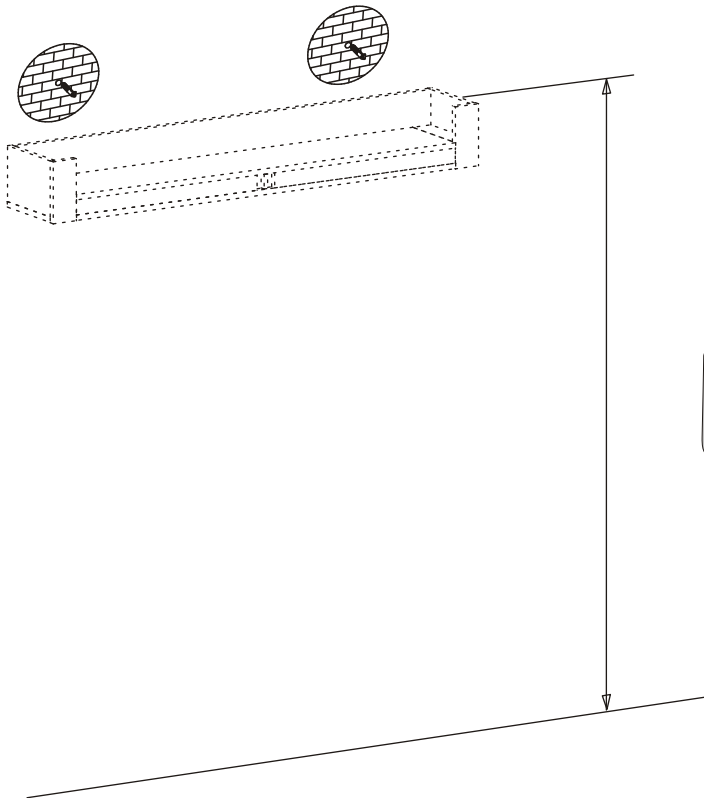


SYSTEM BOSTON
PW BOSTON

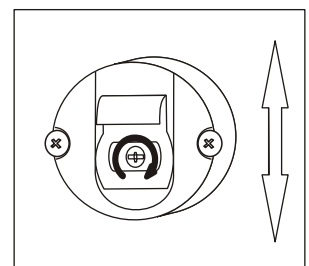
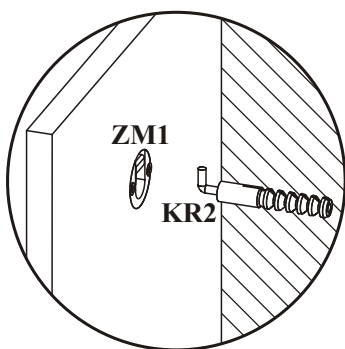
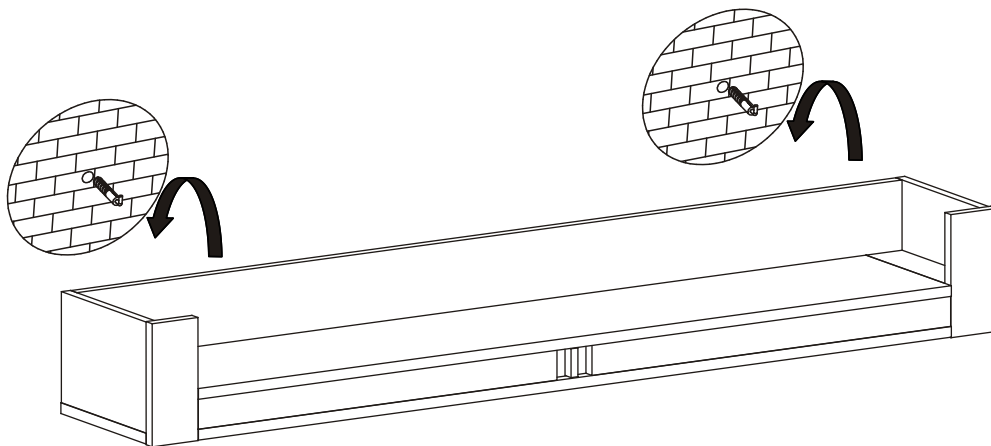
TYPE 13

24...BT

4



5



ZM1