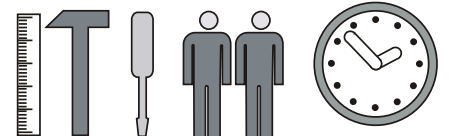
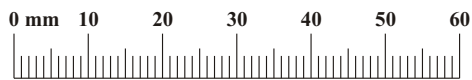
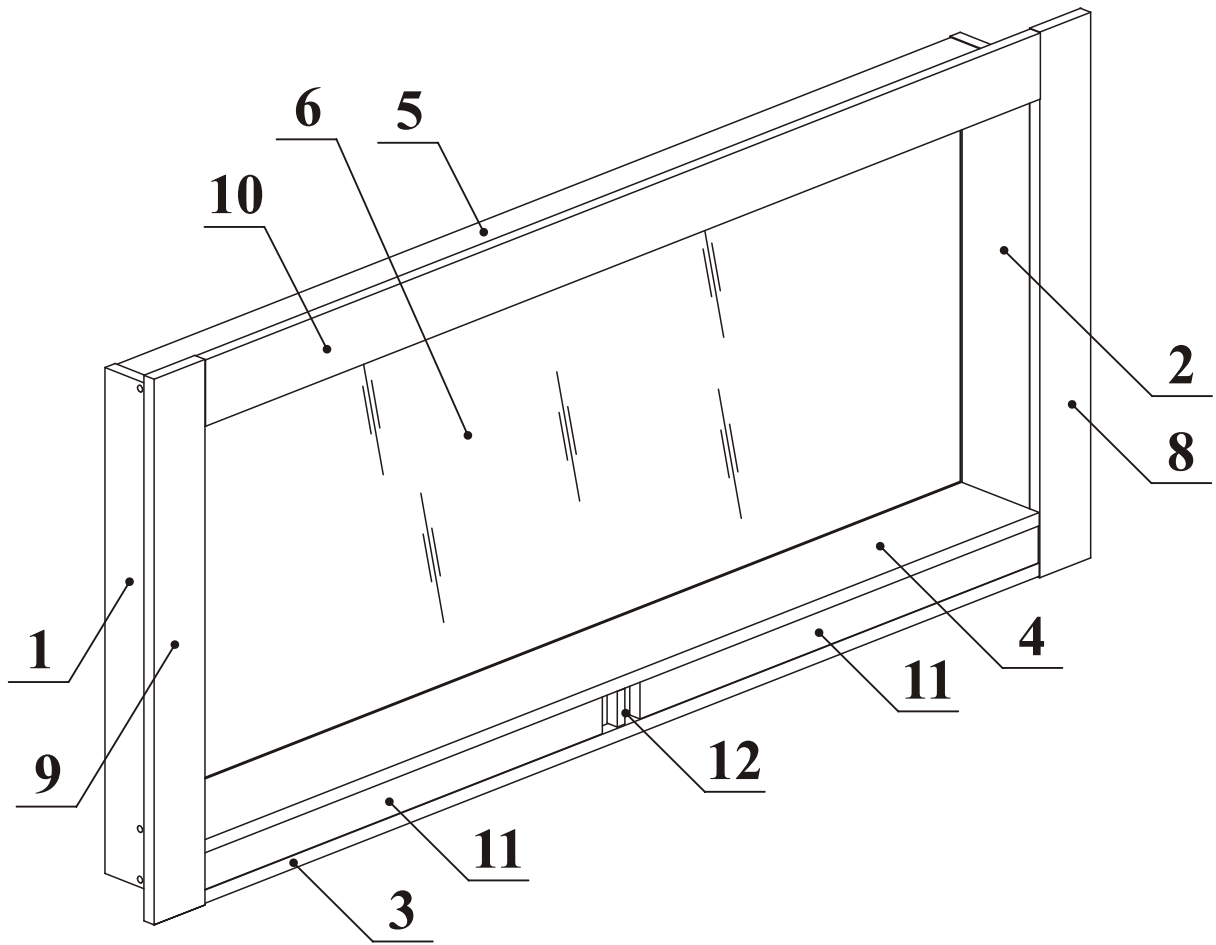


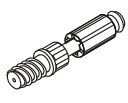


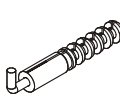

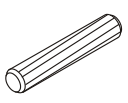
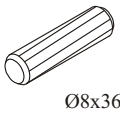





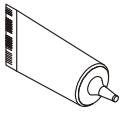
SYSTEM BOSTON
LW BOSTON

TYPE 18

24...BT



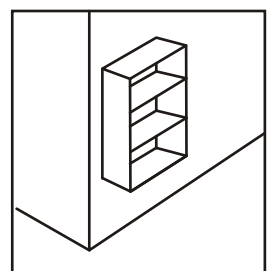
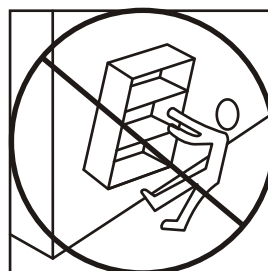
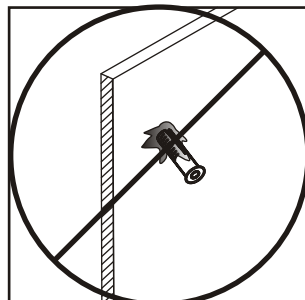
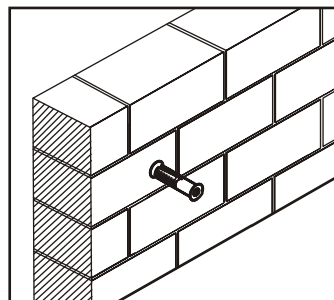
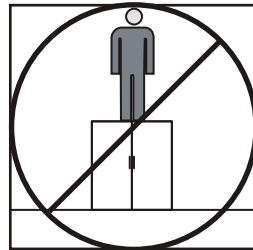
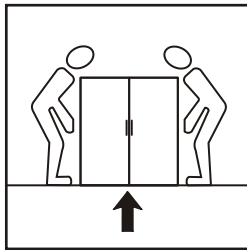
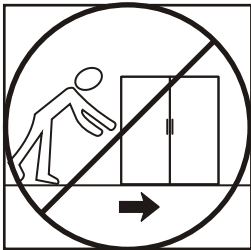
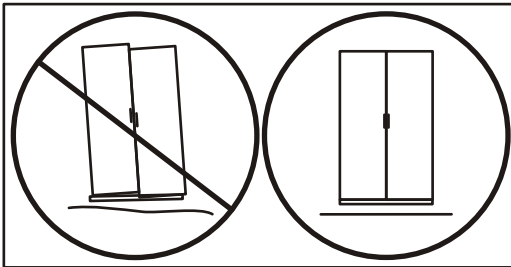
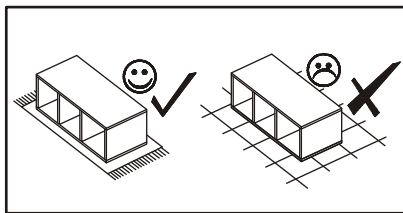
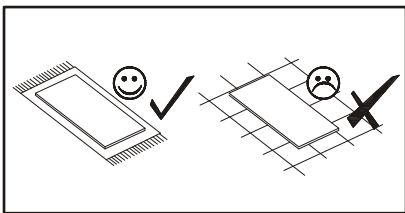
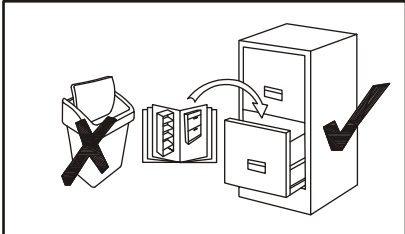
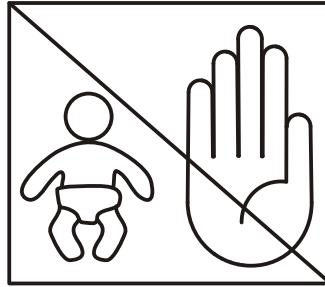
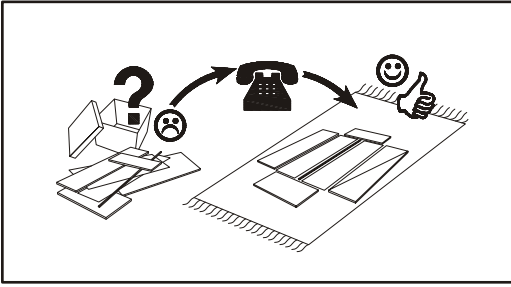
40 min

B4 X17		D8 X4	 ESØ5x13	G5 X17		KR2 X2		Z2 X2	 Ø8	A5 X4	 Ø6x50
A1 X12	 Ø8x36	A2 X12	 Ø8x20	B11 X6	 Ø7x50	B5 X17	 ø15x12	G2 X1		G4 X6	
G1 X1											

SYSTEM BOSTON
LW BOSTON

TYPE 18

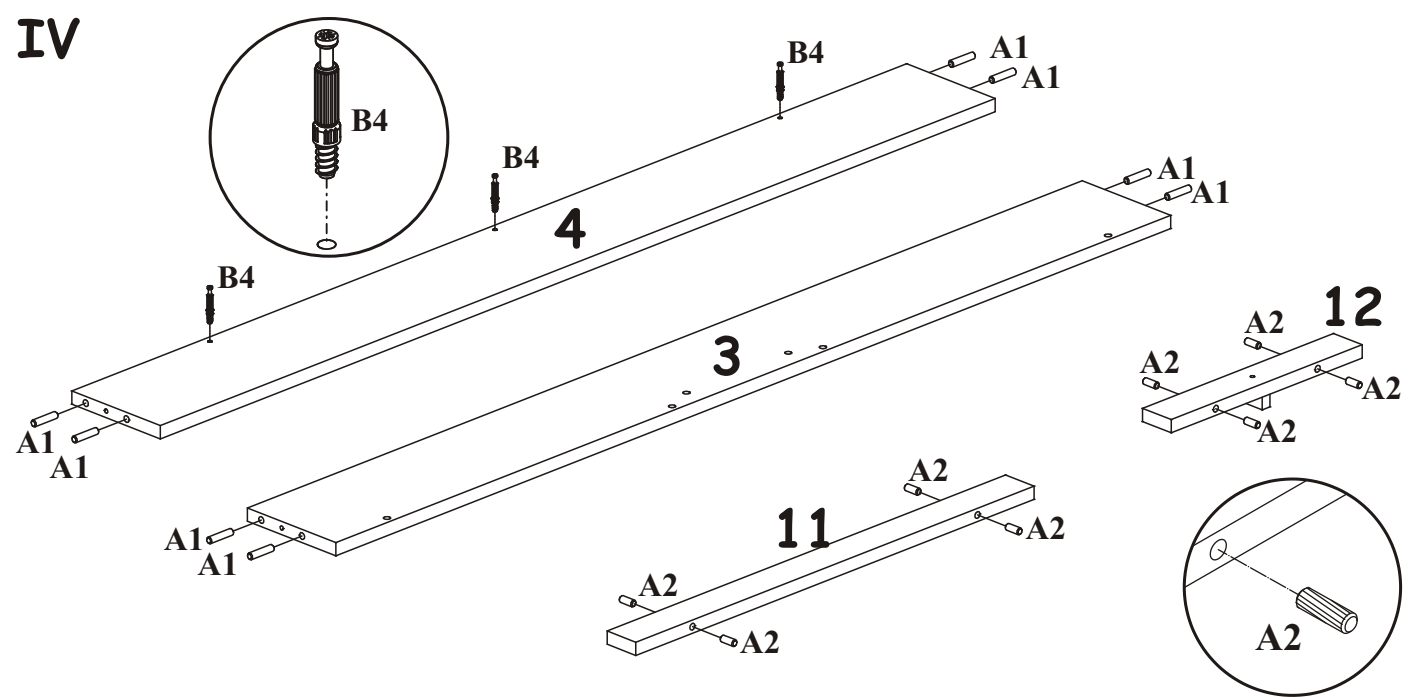
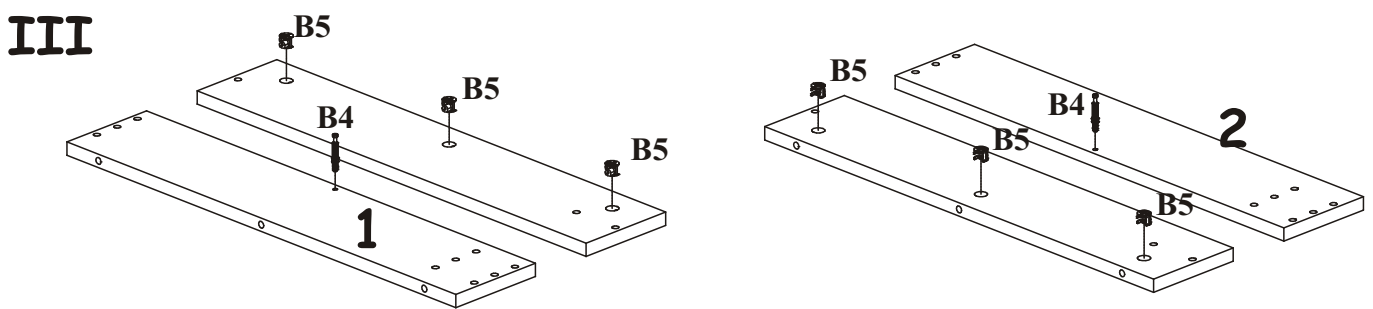
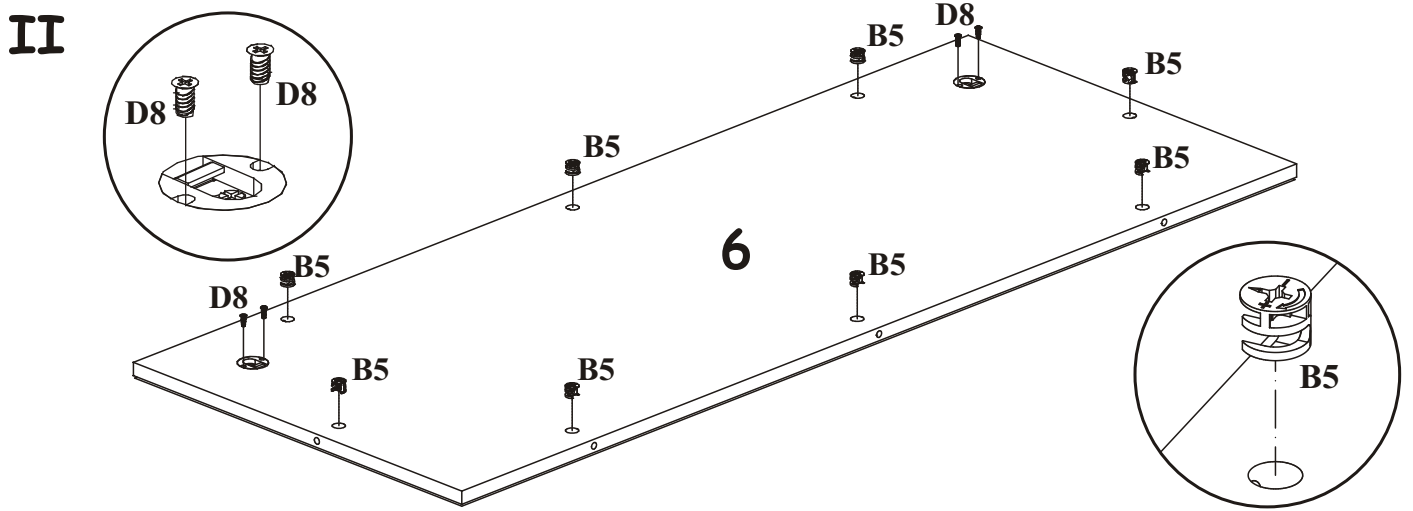
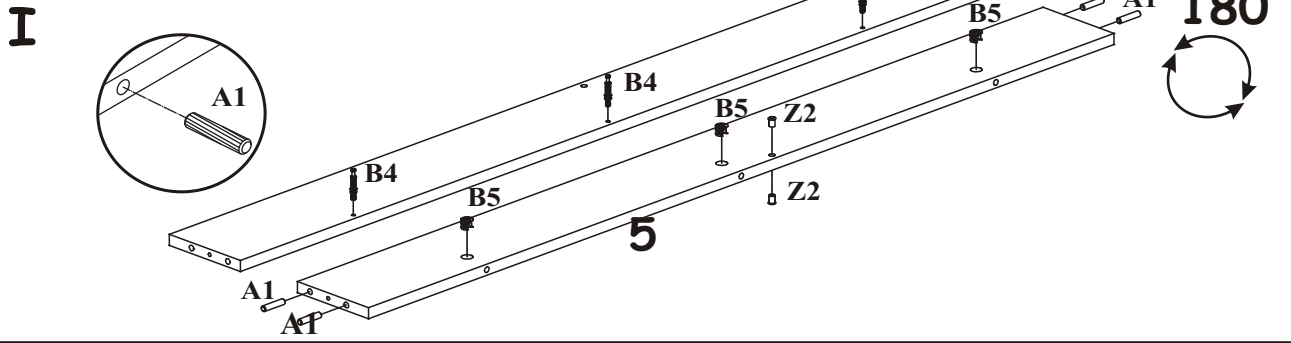
24...BT



SYSTEM BOSTON
LW BOSTON

TYPE 18

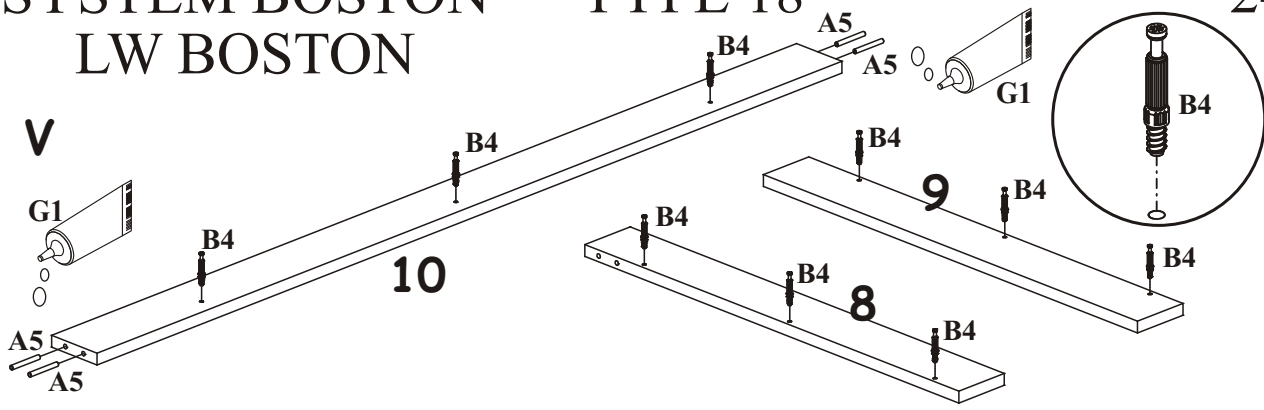
24...BT



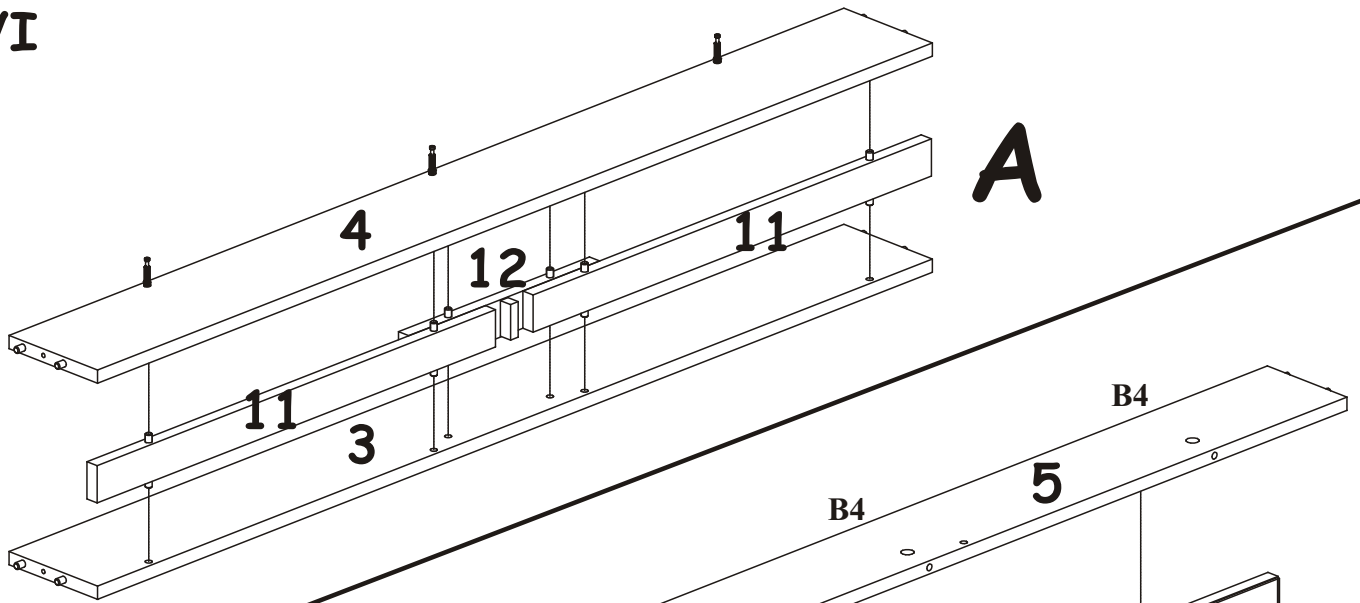
SYSTEM BOSTON
LW BOSTON

TYPE 18

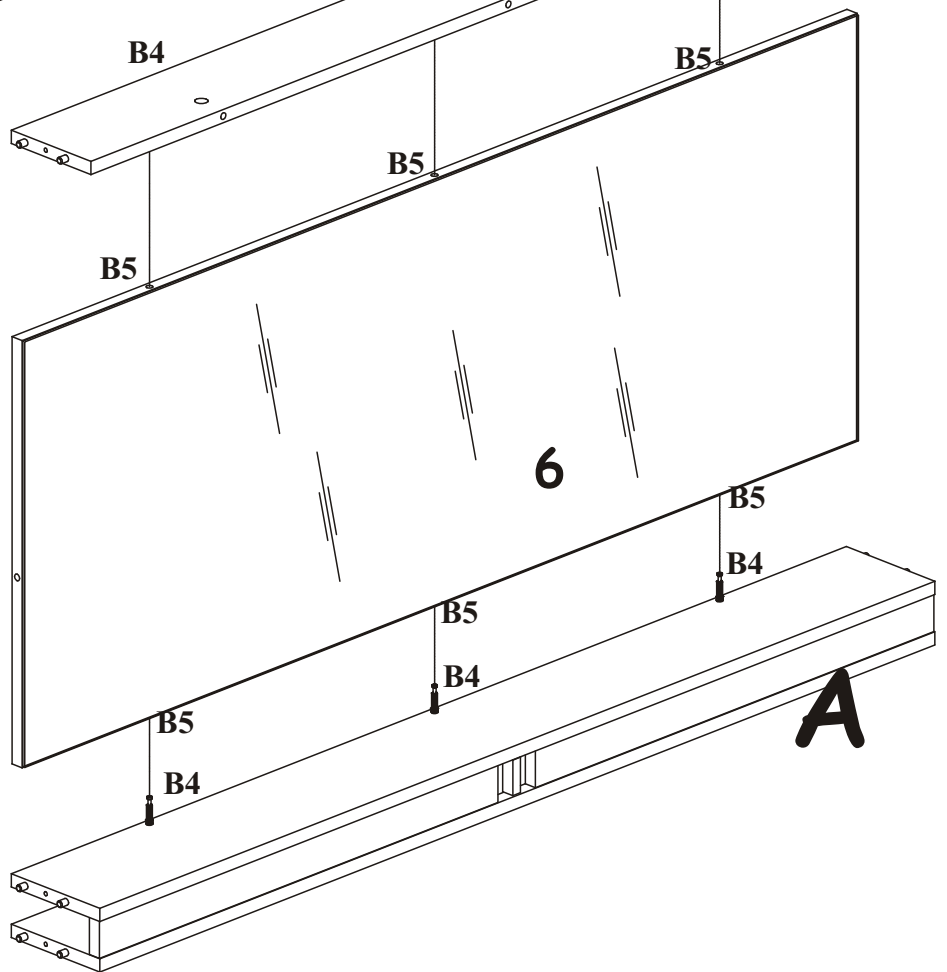
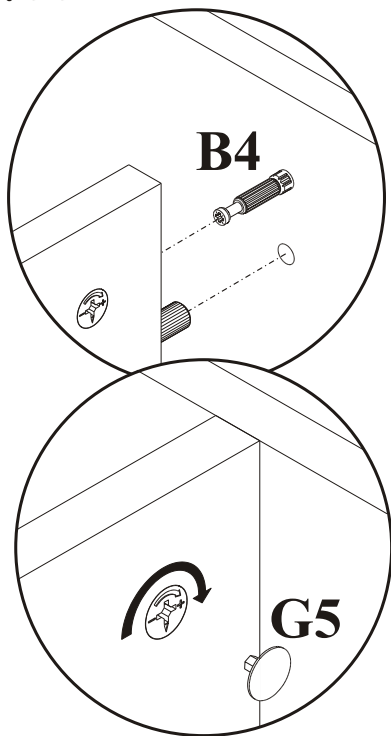
24...BT



VI



VII

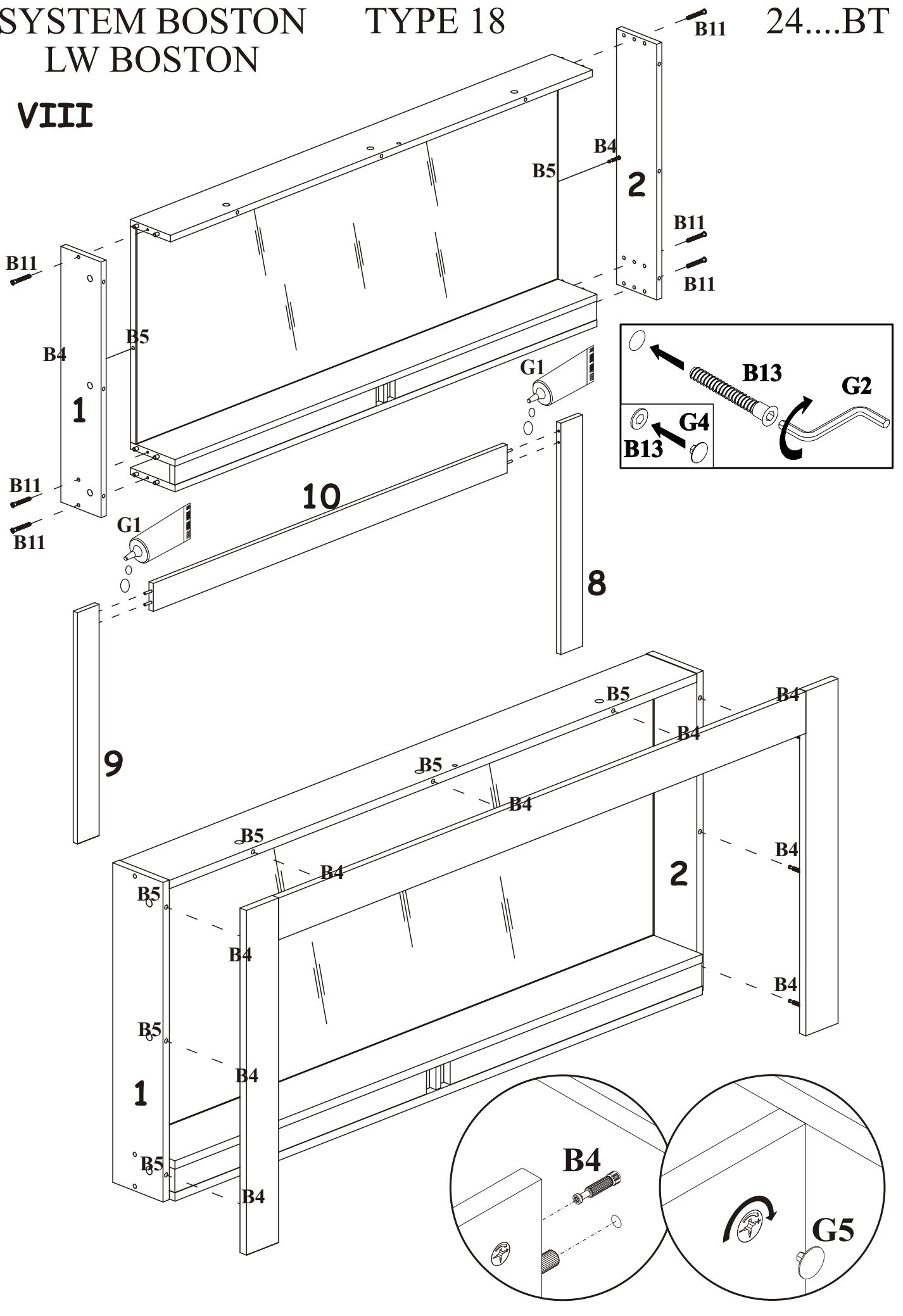


SYSTEM BOSTON
LW BOSTON

TYPE 18

24...BT

VIII

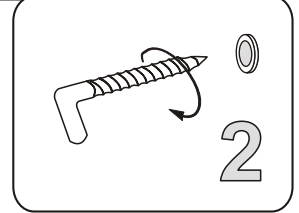
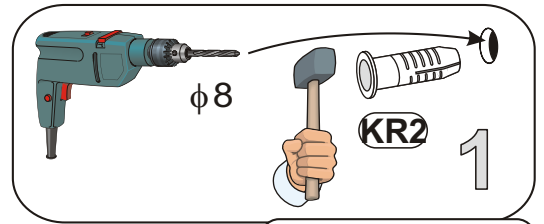
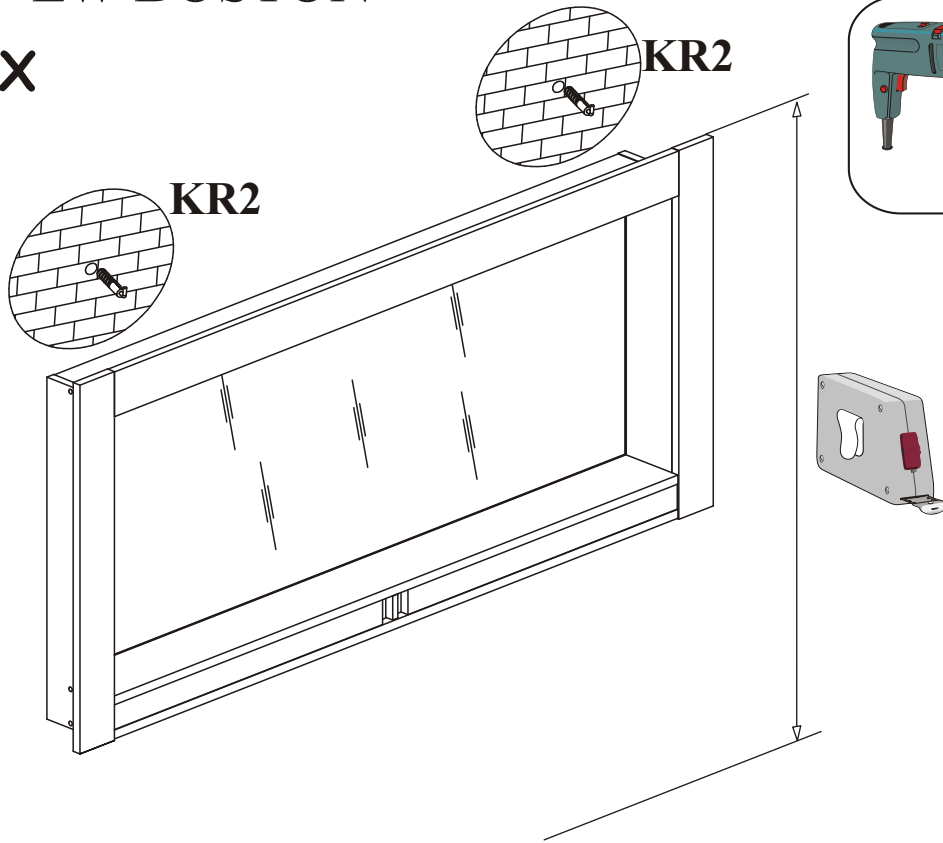


SYSTEM BOSTON
LW BOSTON

TYPE 18

24...BT

IX



X

