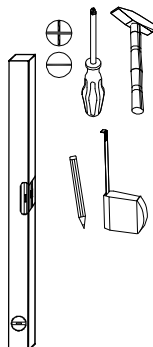
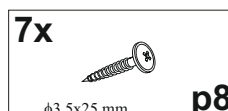
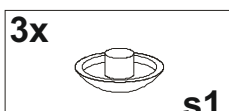
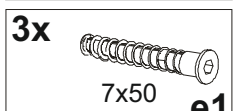
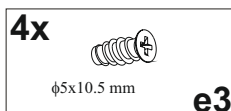
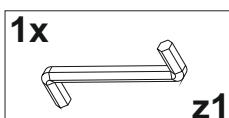
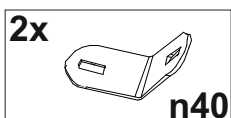
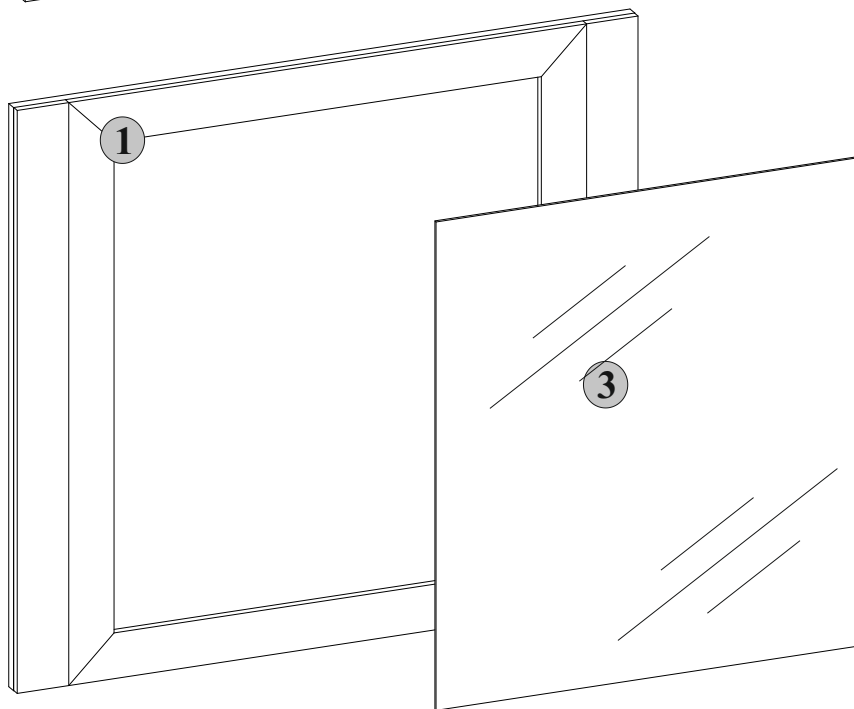
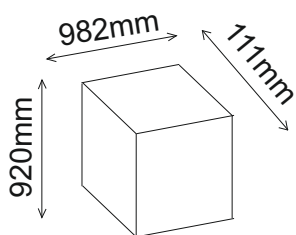
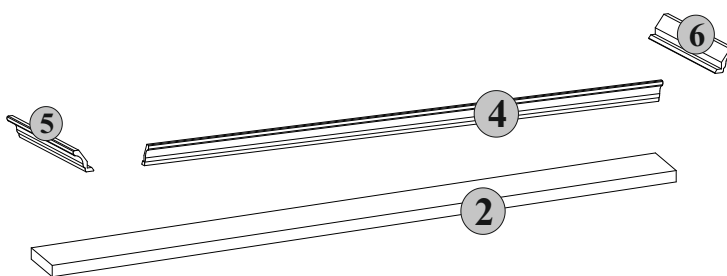
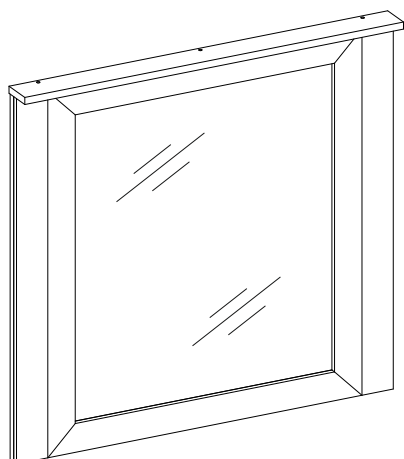


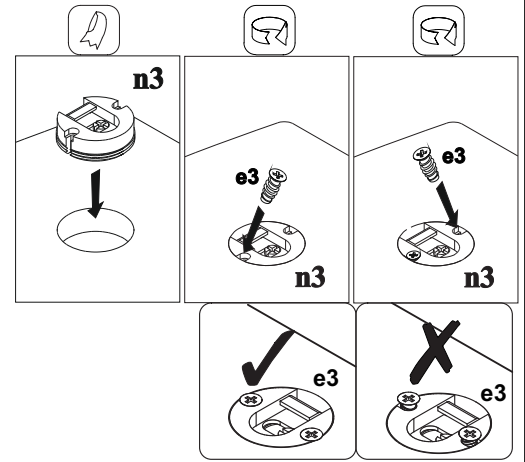
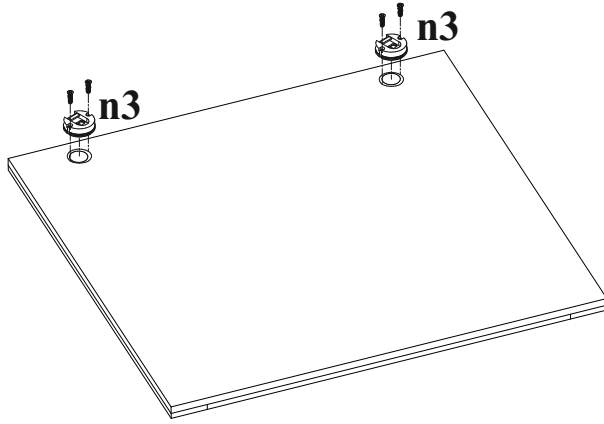
# Mirror



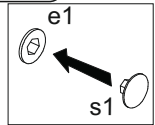
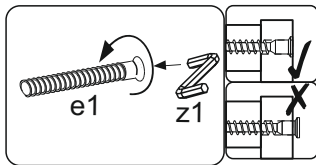
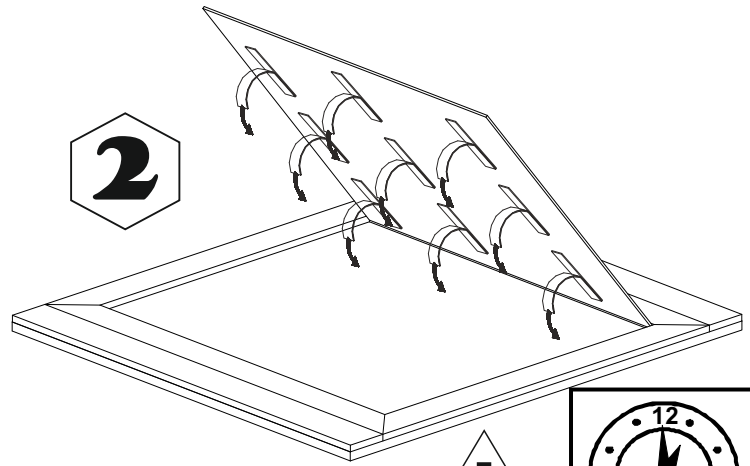
number	Measurements	Pcs.
1	826x892	1
2	896x70	1
3	692x610	1
4	900x	1
5	80x	1
6	80x	1



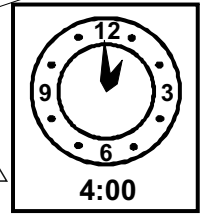
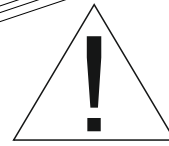
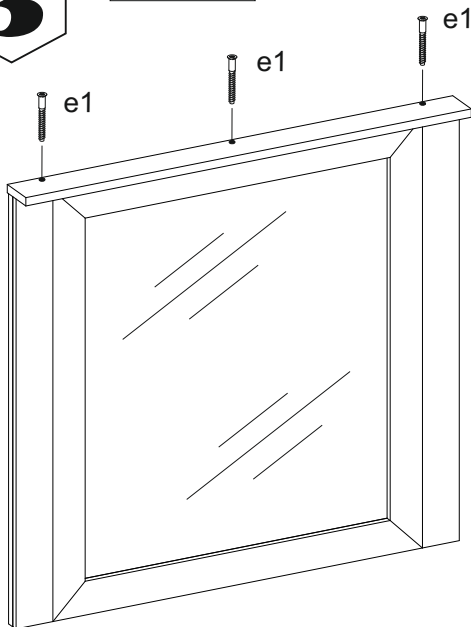
**1**



**2**



**3**

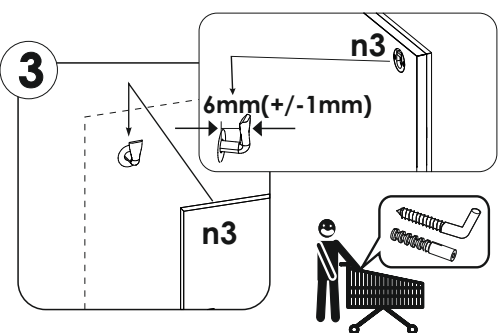
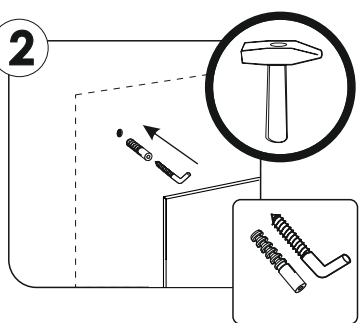
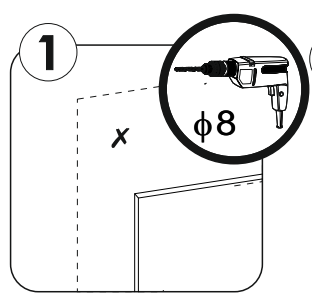
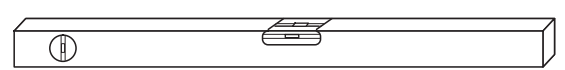
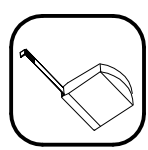
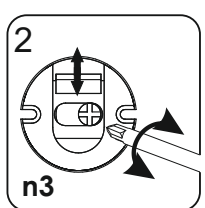
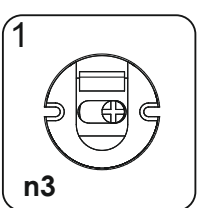
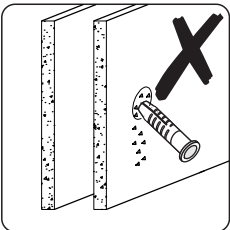
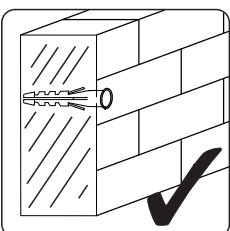
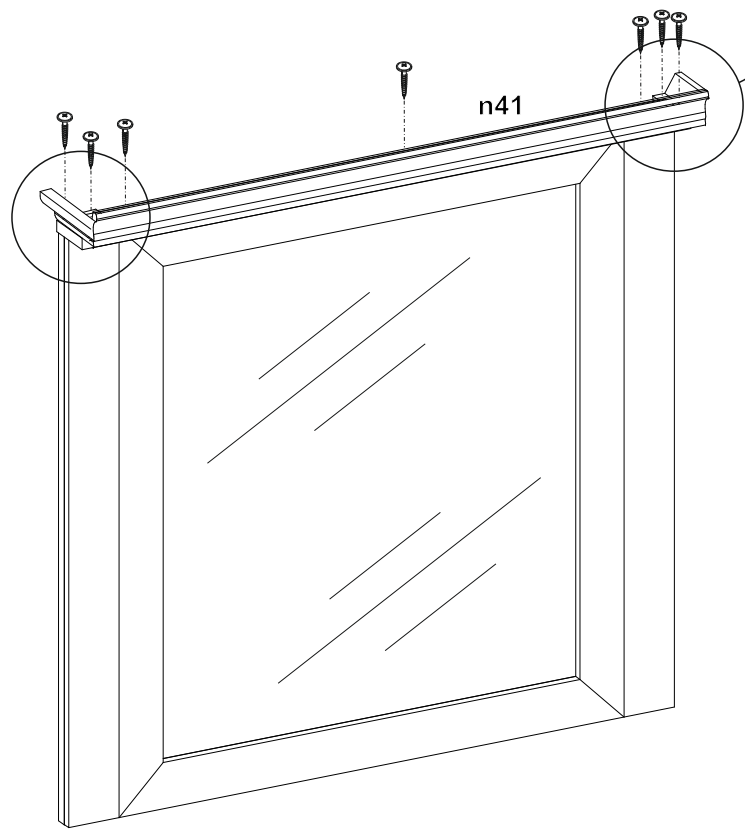
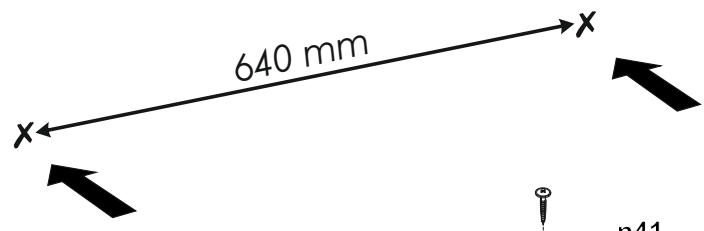
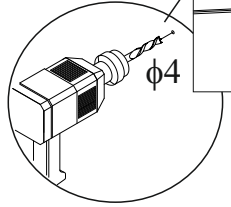
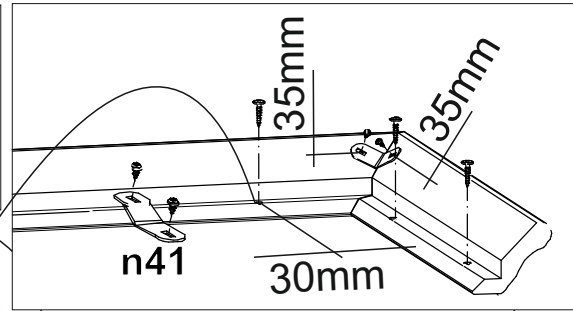


**2**

4

n40  
x2

p46



2