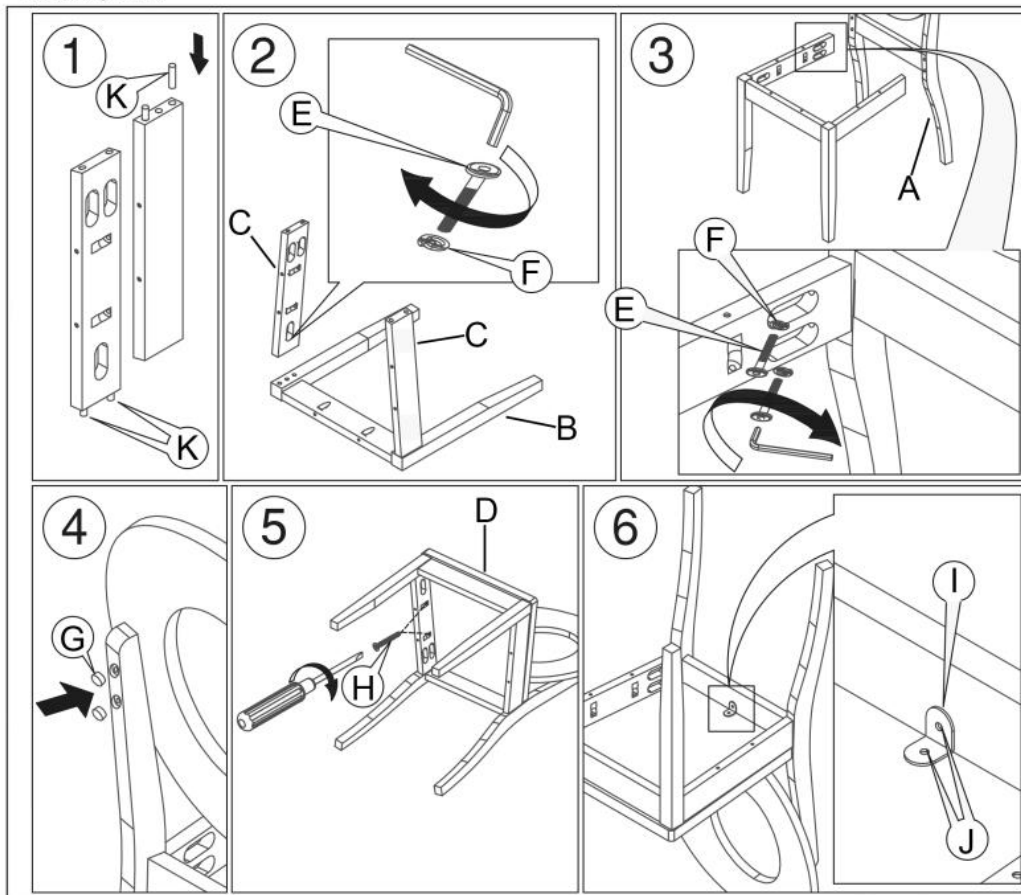


BAROCK



| | | |
|---|---------------------|---|
| A | | 1 |
| B | | 1 |
| C | | 2 |
| D | | 1 |
| E | M6 X 50MM | 6 |
| F | WS6 | 6 |
| G | 14.5 | 4 |
| H | M4 X 30MM | 6 |
| I | 18 X 20 X 1.5MM | 1 |
| J | M3.5 X 16MM | 2 |
| K | 8 X 30 | 4 |

max. 100 kg

v.2