








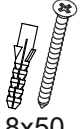







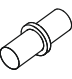



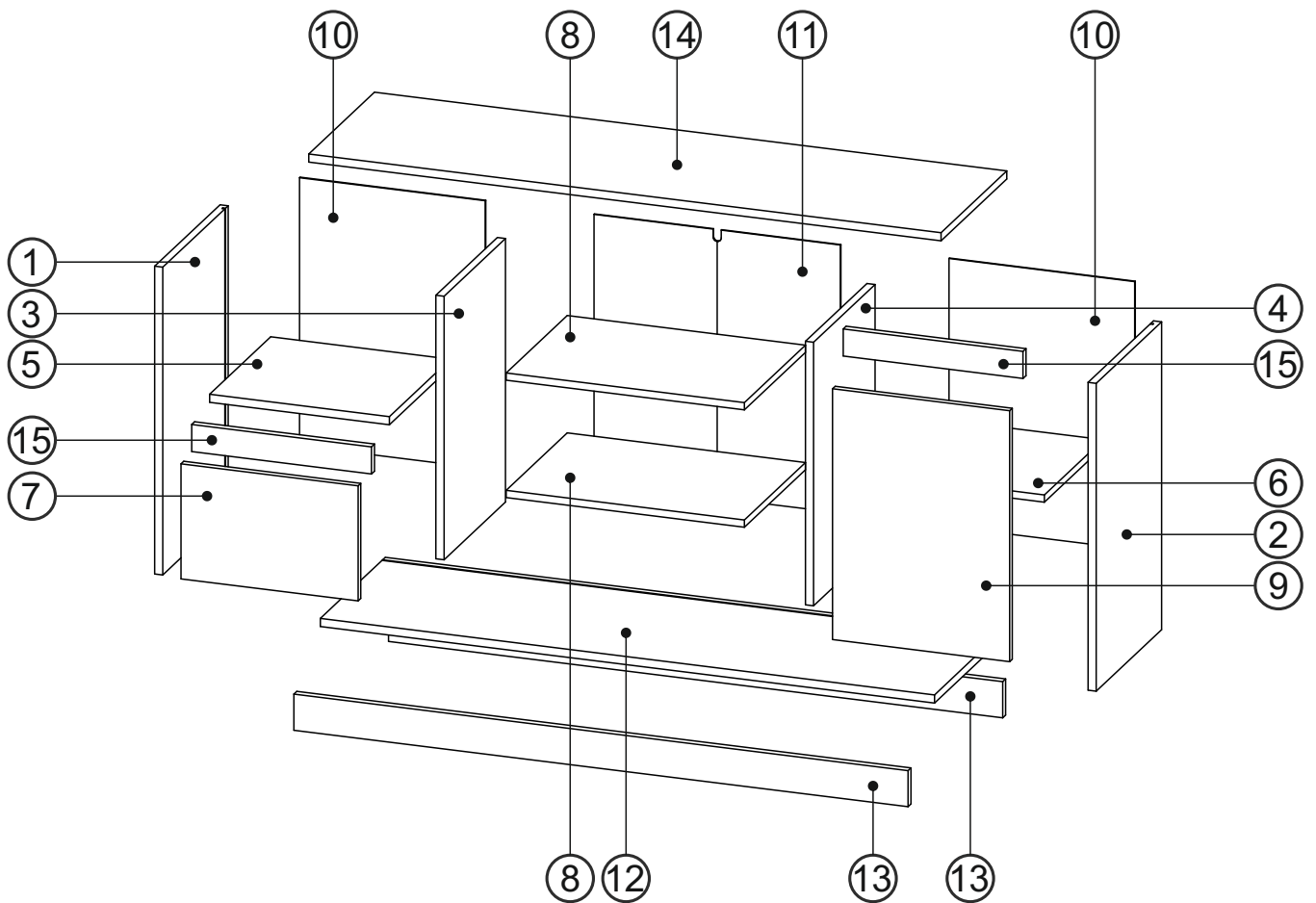


A0	B0	B1	C0	C1	C2	D0	D5	D21	E0	F4
										
ø8x30	ø 7mm	ø7x50	ø16mm	18 mm		3x15	3,5x16	5x13	8x50	
x36	x2	x6	x9	x16	x16	x25	x10	x1	x1	x1

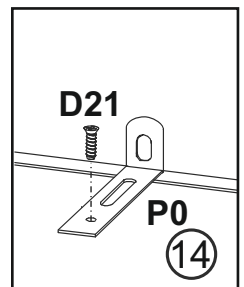
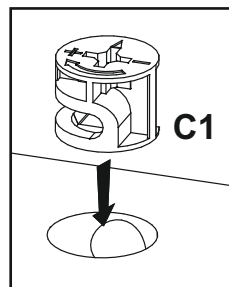
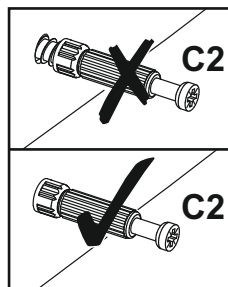
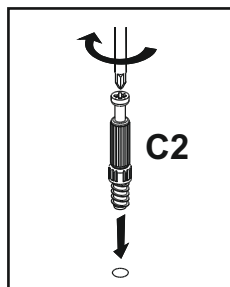
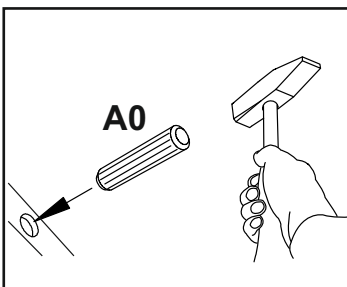
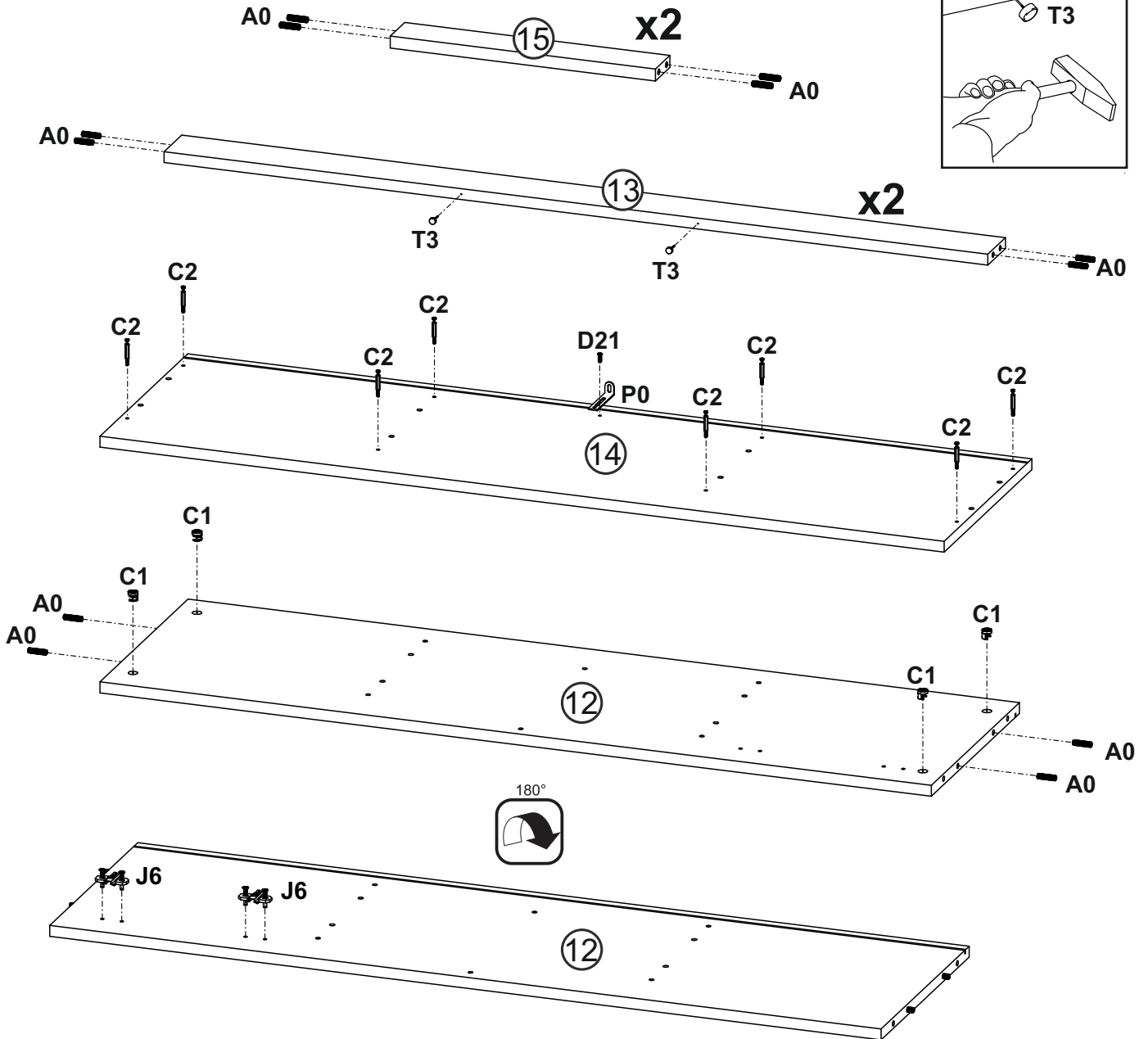
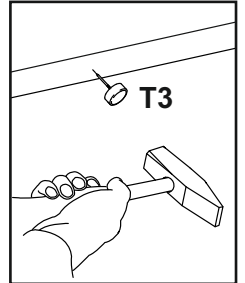
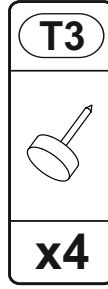
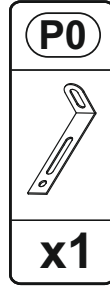
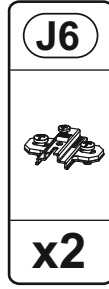
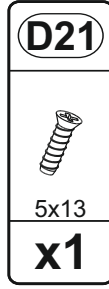
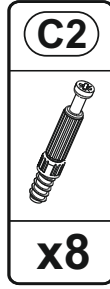
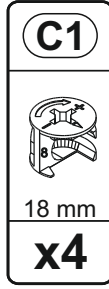
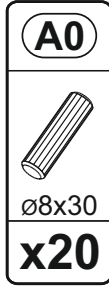
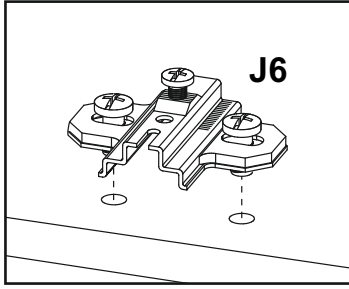
J4	J6	K	M1	M3	P0	Q0	Q4	T3
		 4mm						
x4	x4	x1	x16	x6	x1	x12	x2	x8

①	682	398	18	x1	1/2
②	682	398	18	x1	1/2
③	584	374	18	x1	1/2
④	584	374	18	x1	1/2
⑤	398.5	372	18	x1	1/2
⑥	398.5	358	16	x1	1/2
⑦	392.5	255	16	x1	1/2
⑧	528	372	16	x2	1/2




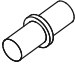
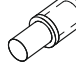
⑨	392.5	556	16	x1	1/2
⑩	594	411.5	3	x2	1/2
⑪	594	546	3	x1	1/2
⑫	1361	396	18	x1	2/2
⑬	1361	80	18	x2	2/2
⑭	1401	400	18	x1	2/2
⑮	398.5	60	18	x2	2/2
					1/2

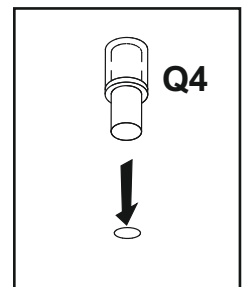
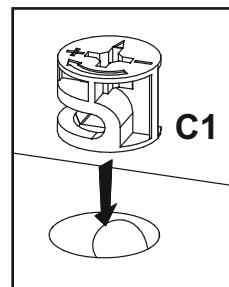
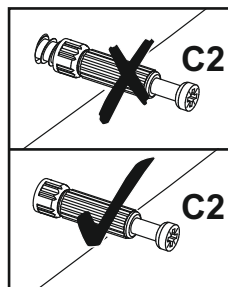
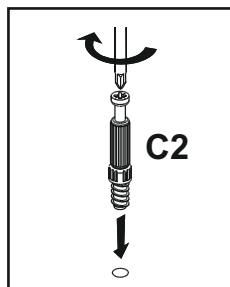
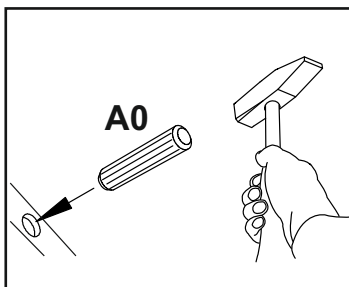
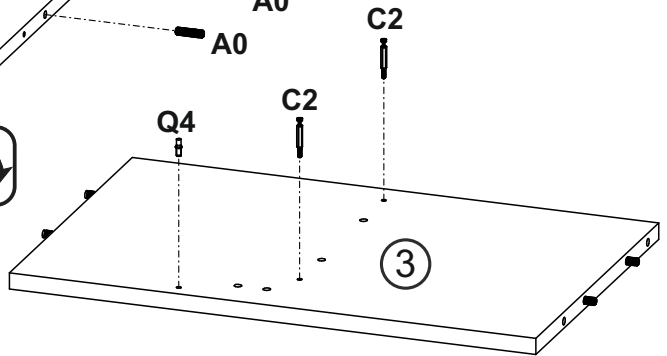
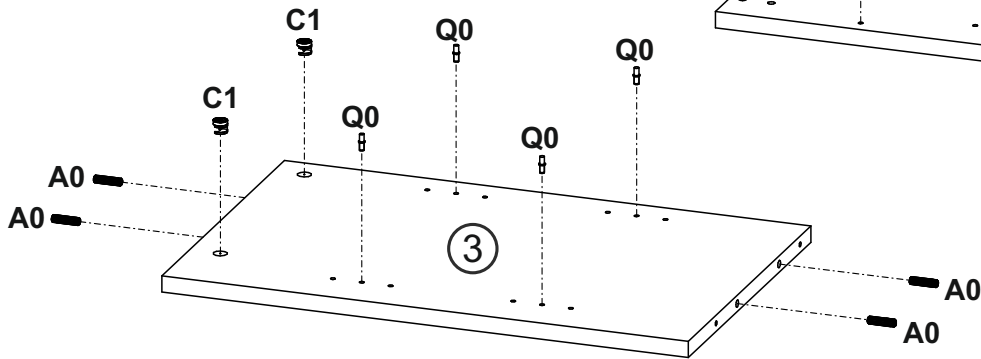
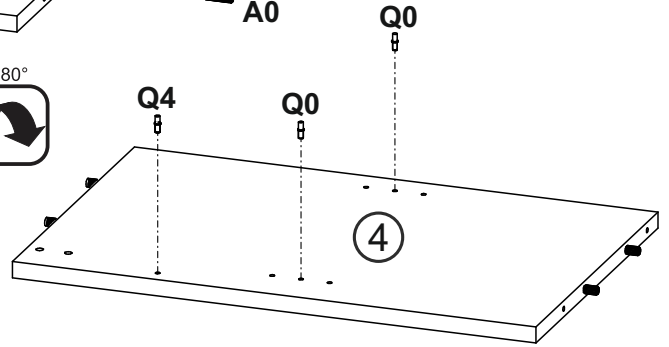
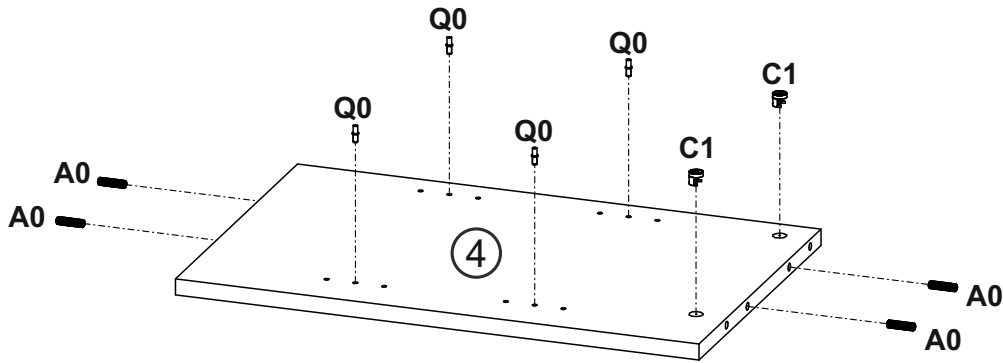
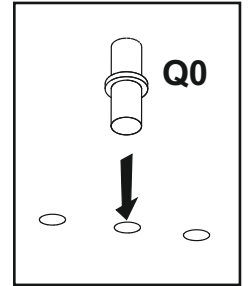
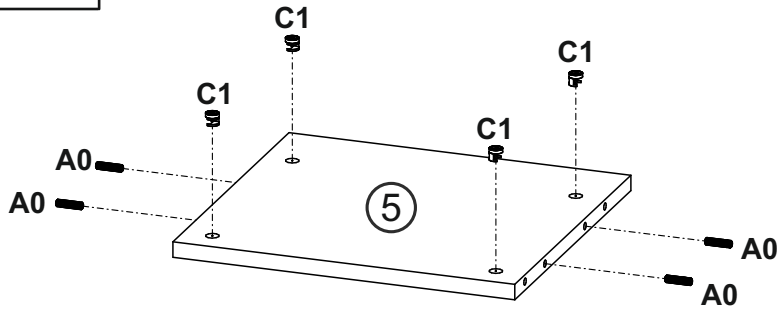


1

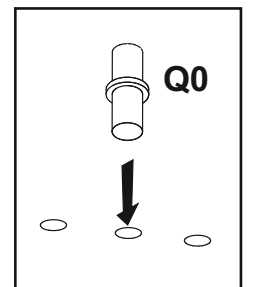
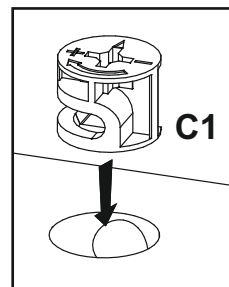
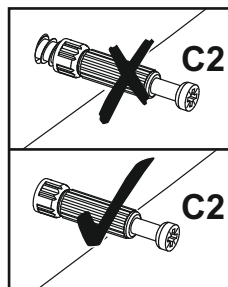
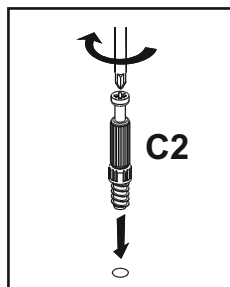
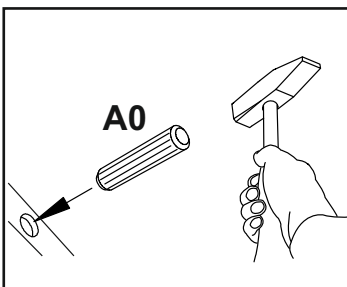
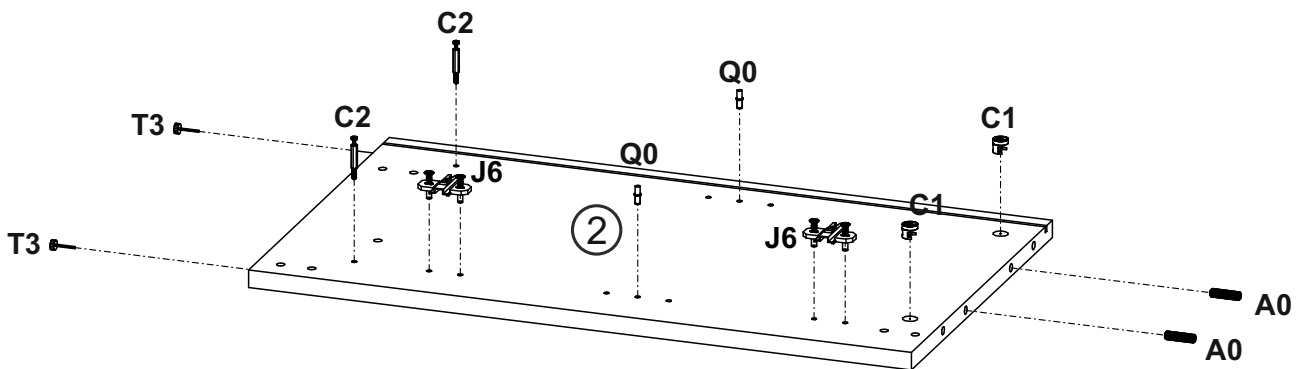
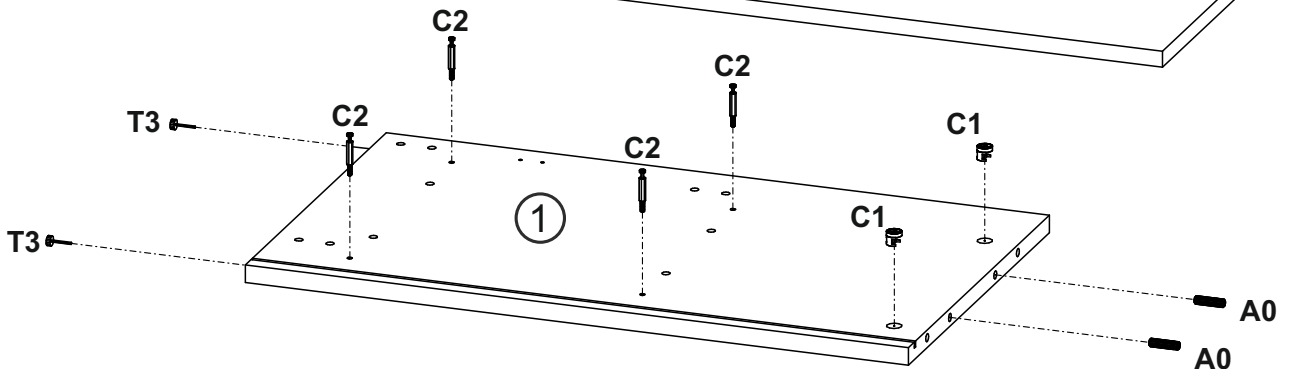
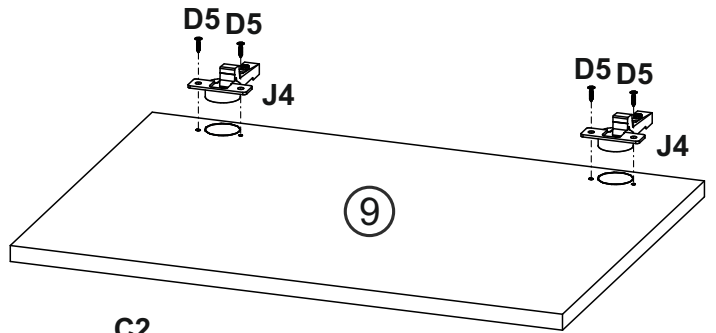
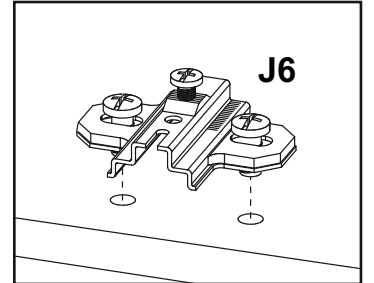
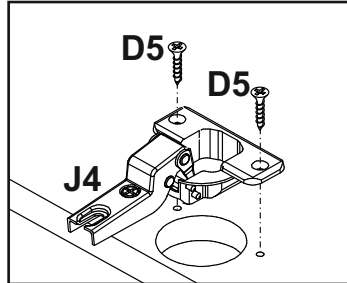
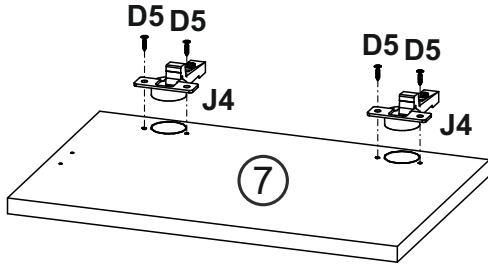
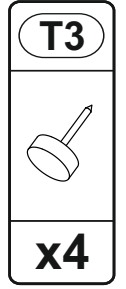
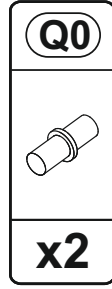
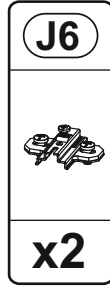
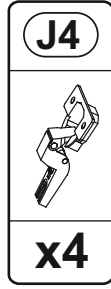
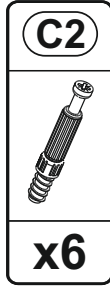
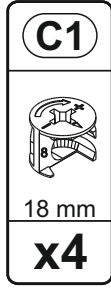
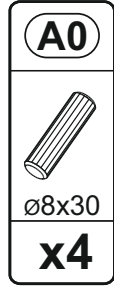
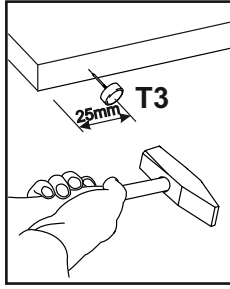


2




A0	C1	C2	Q0	Q4
				
∅8x30	18 mm			
x12	x8	x2	x10	x2

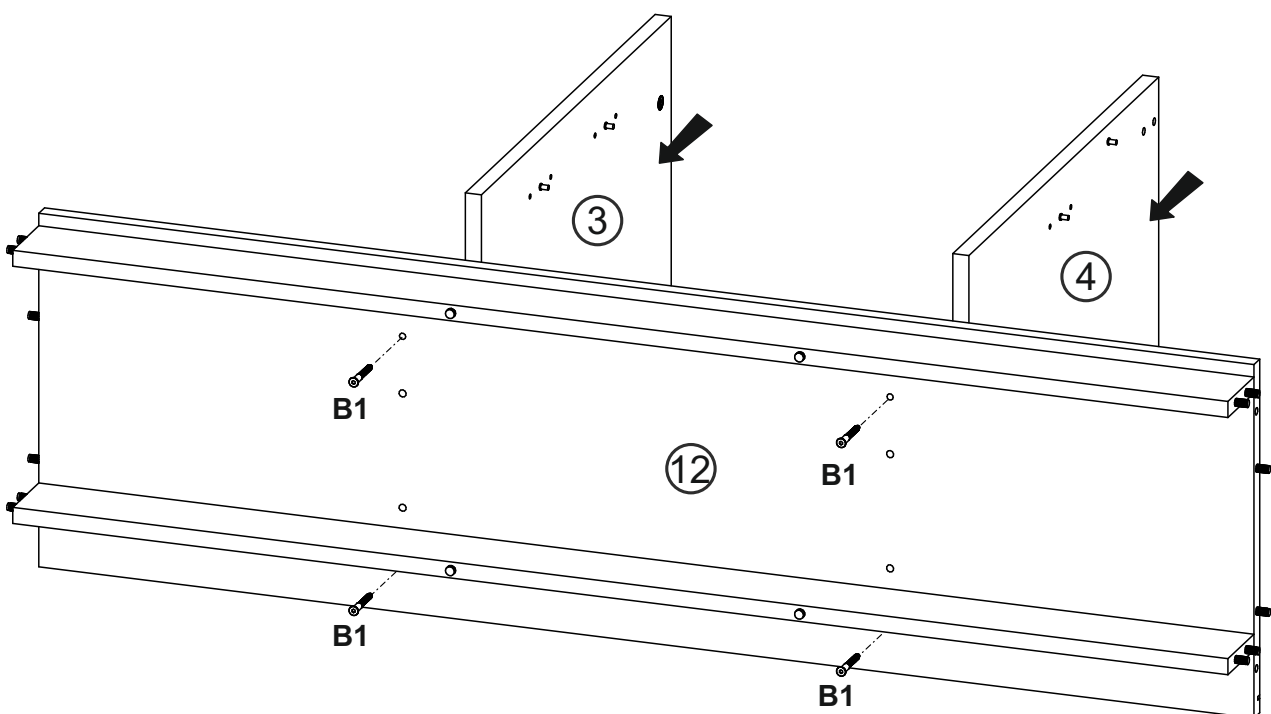
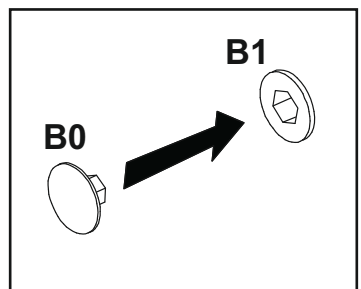
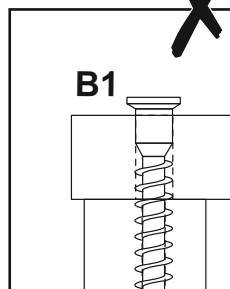
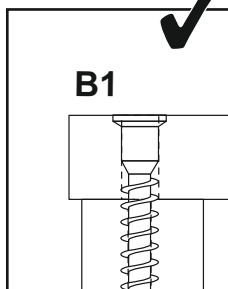
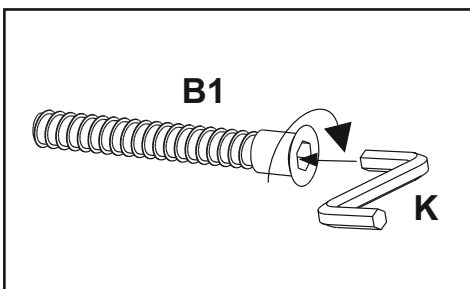
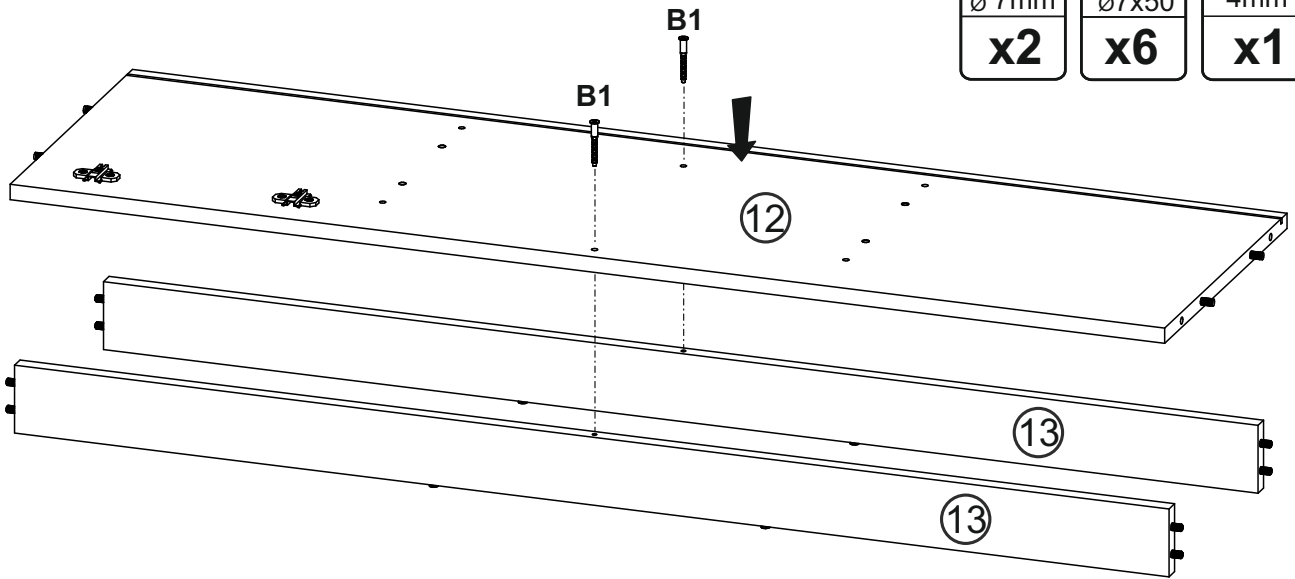


3

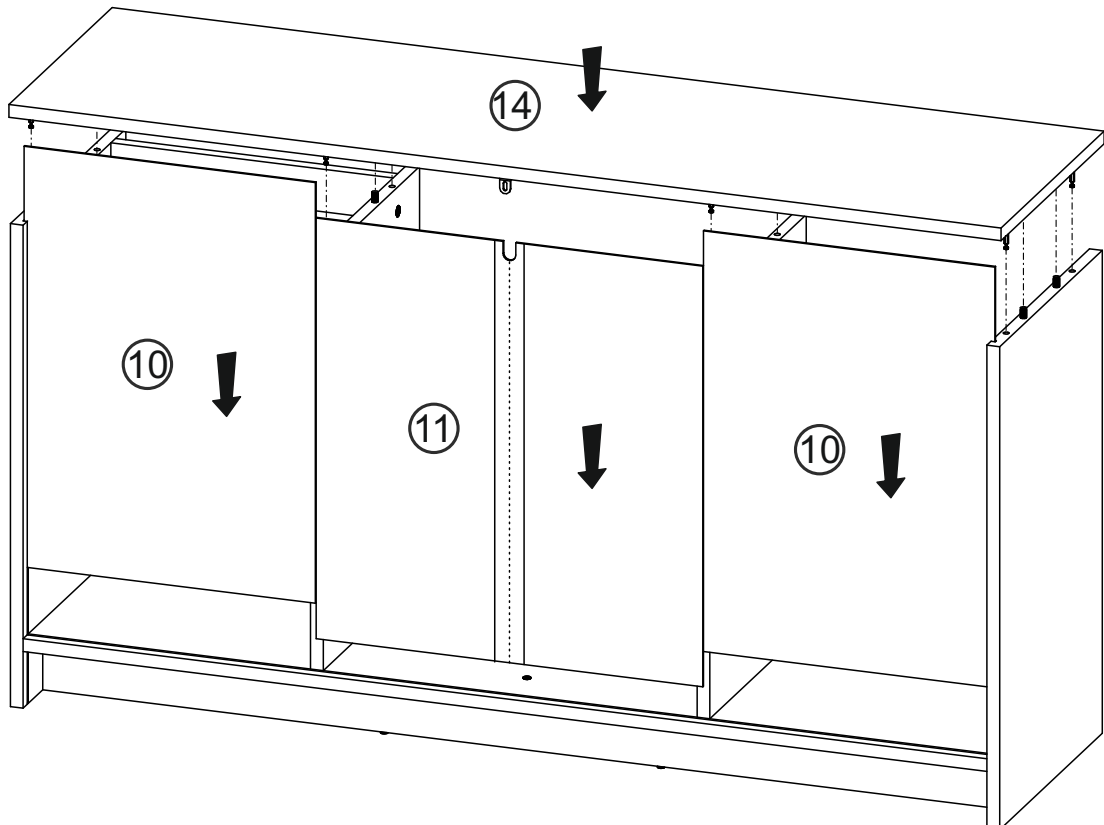
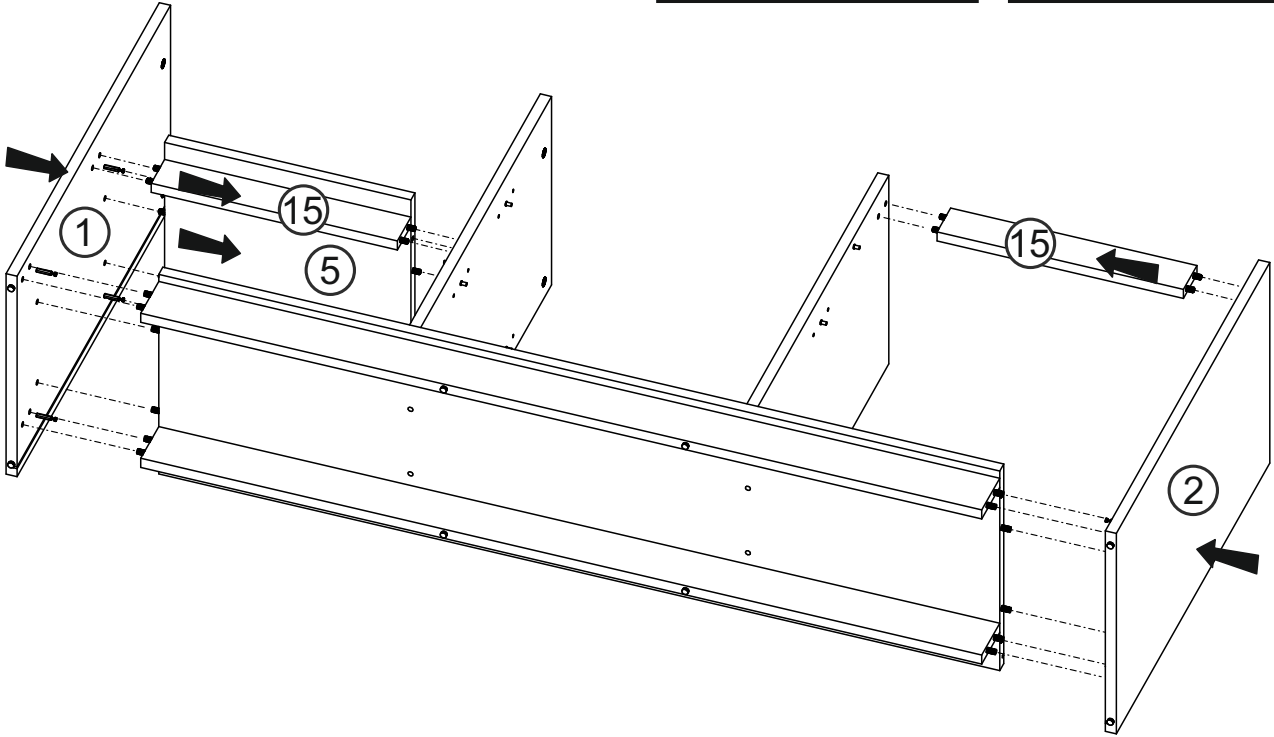
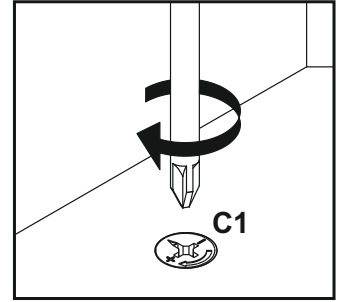
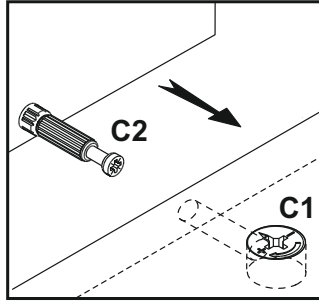


4




B0	B1	K
		
∅ 7mm	∅7x50	4mm
x2	x6	x1

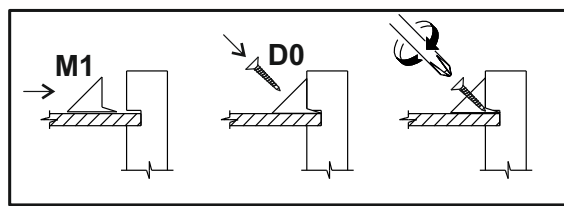
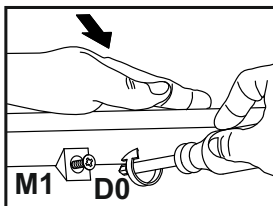
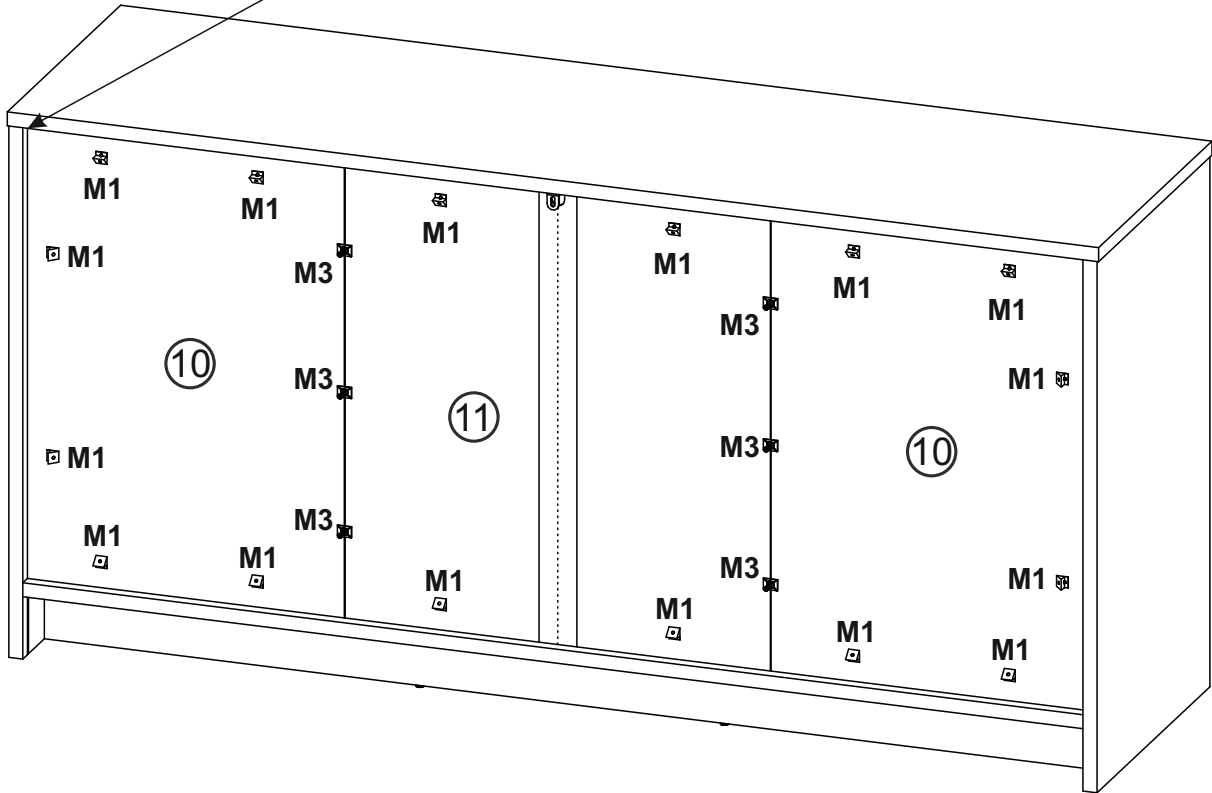
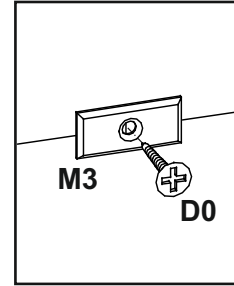
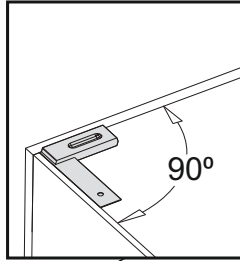


5


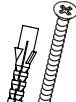


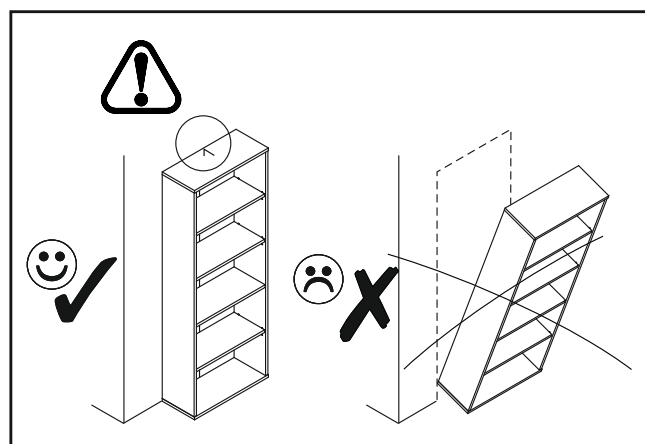
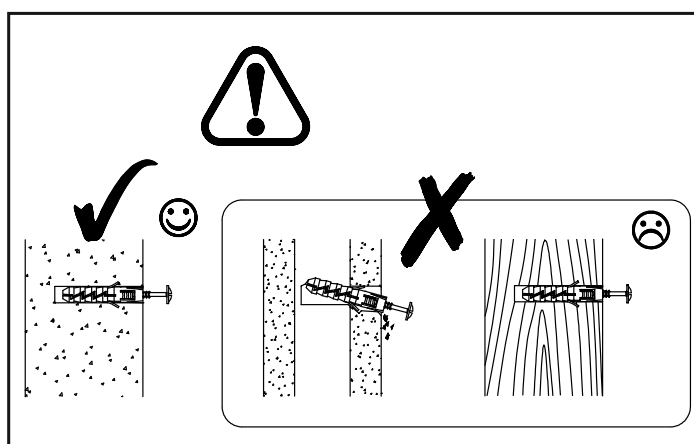
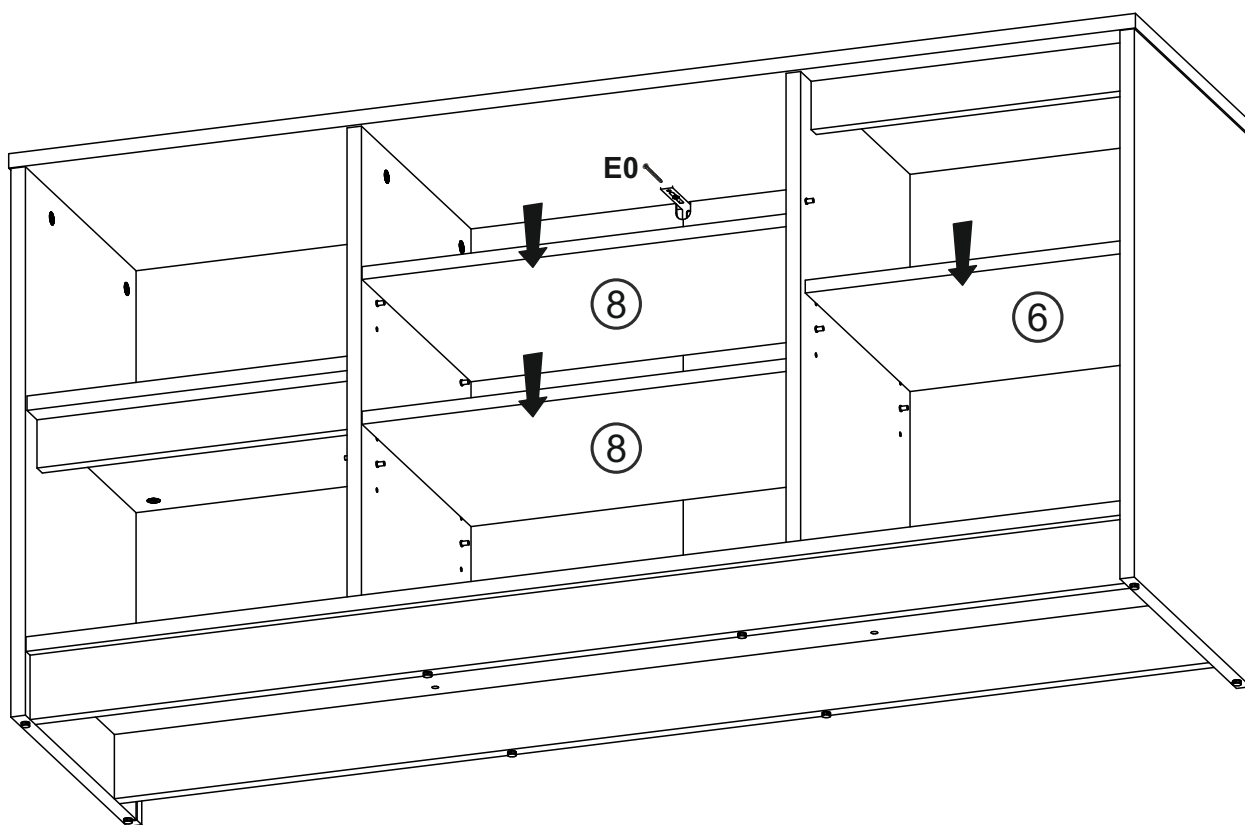
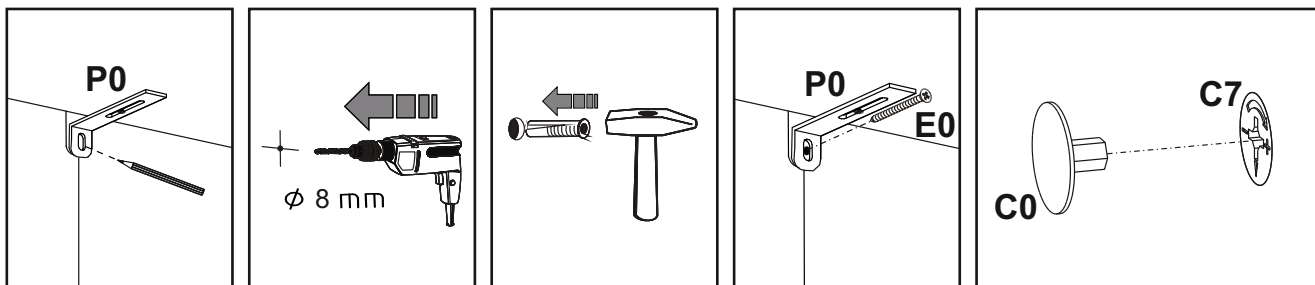
6

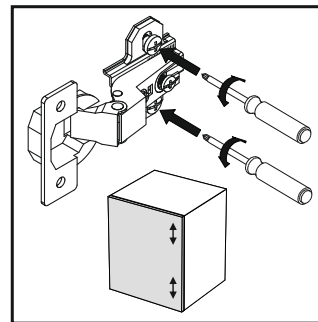
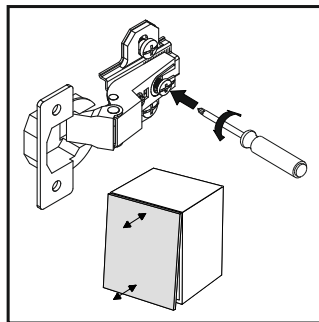
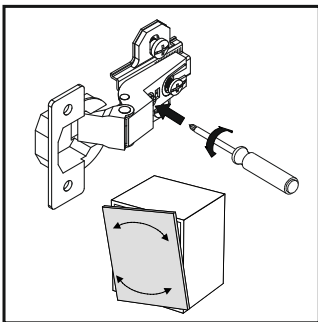
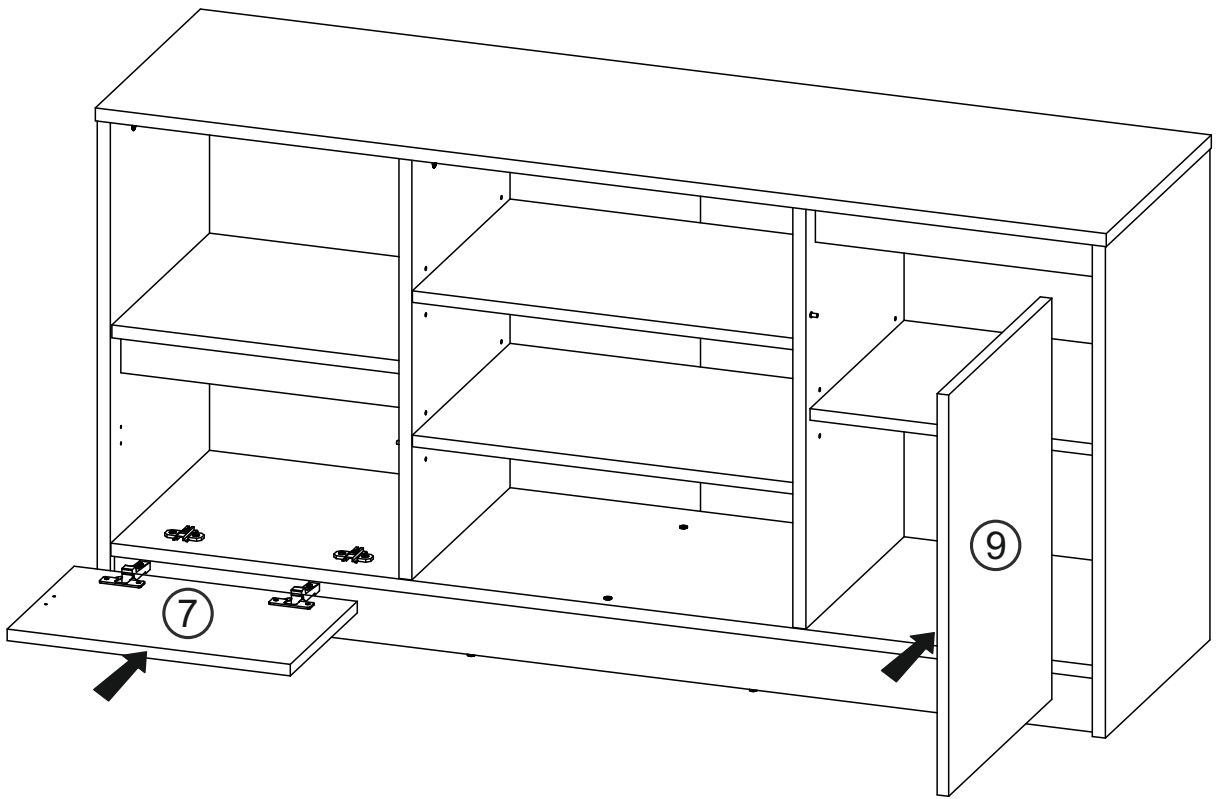
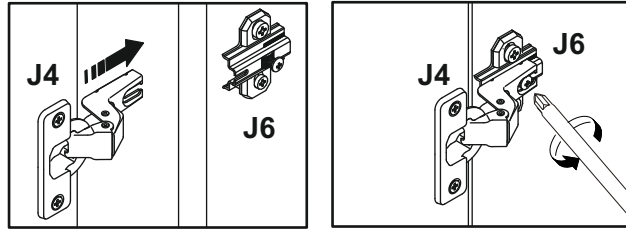
D0	M1	M3
		
3x15		
x22	x16	x6






7

C0	E0
	
ø16mm	8x50
x9	x1





9

D0	D5	F4
		
3x15	3,5x16	
x3	x2	x1

