










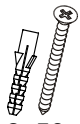







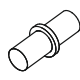
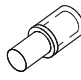


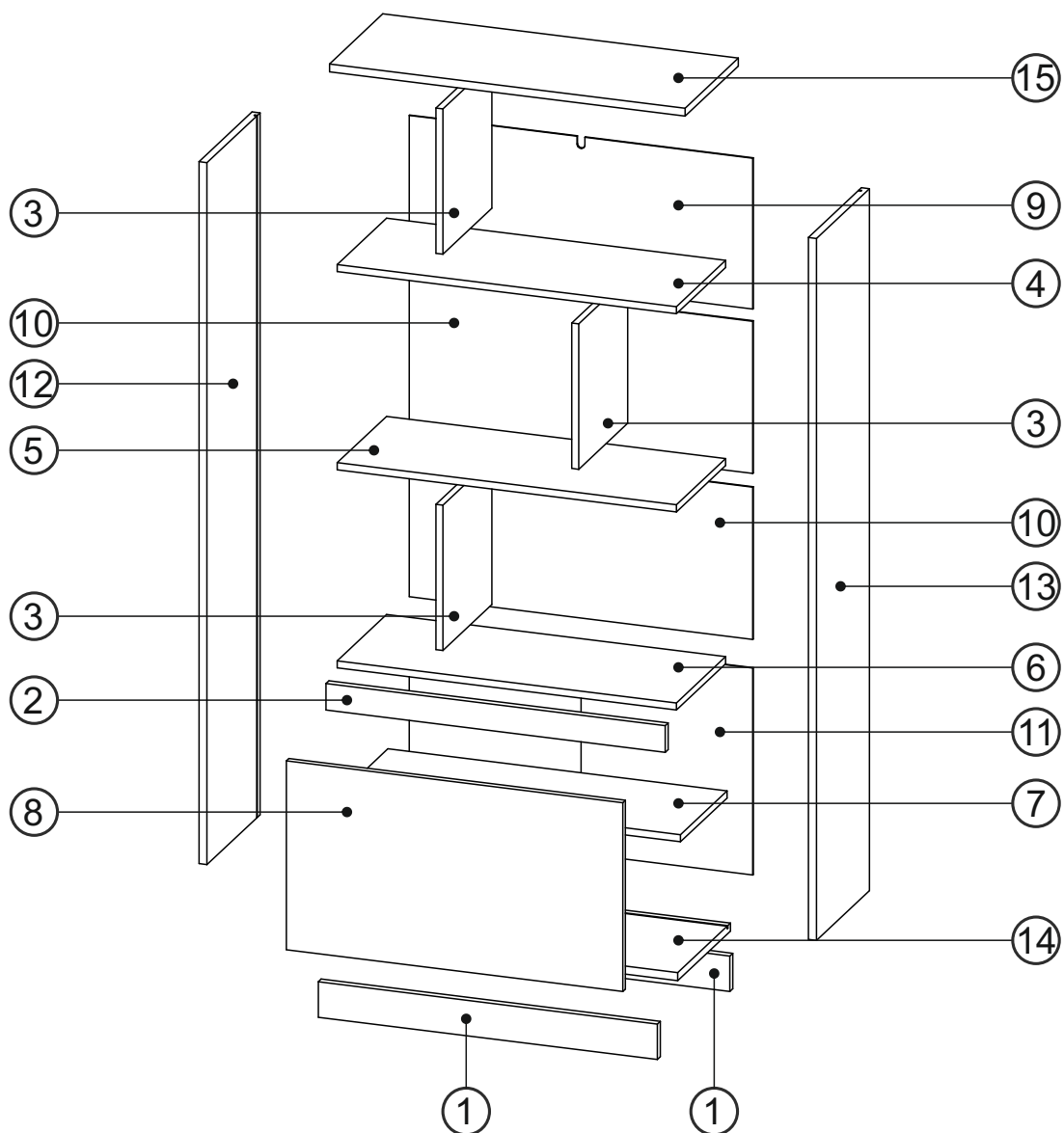


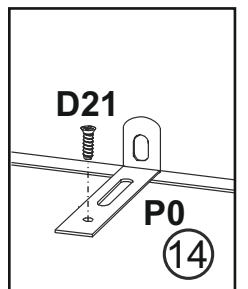
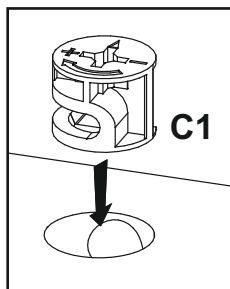
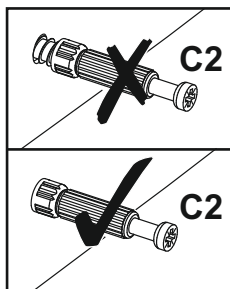
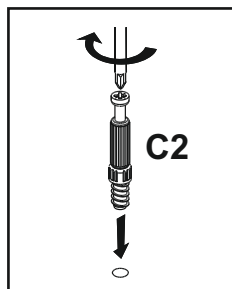
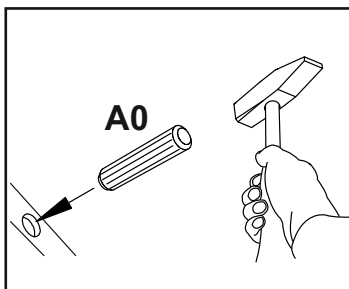
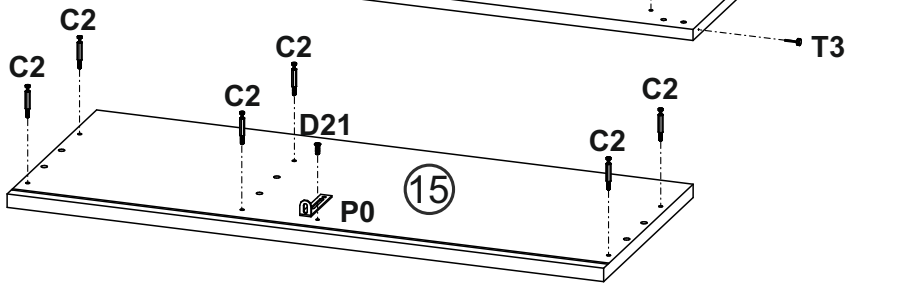
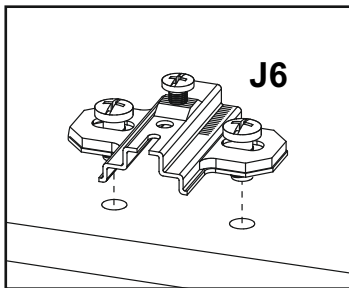
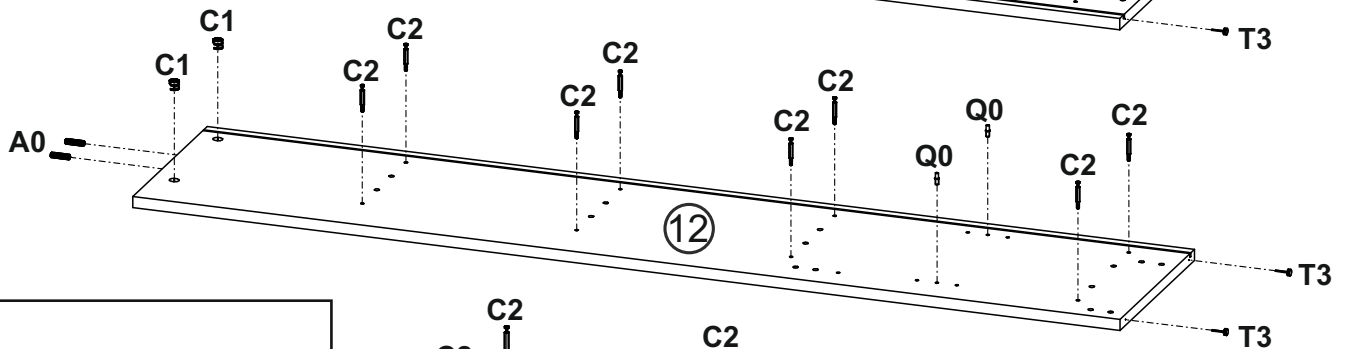
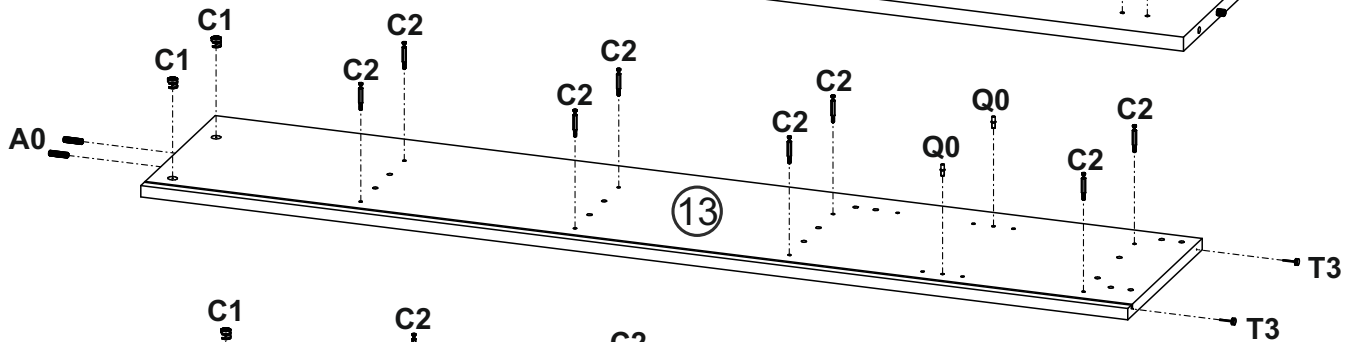
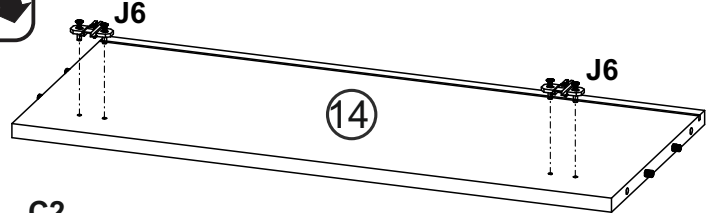
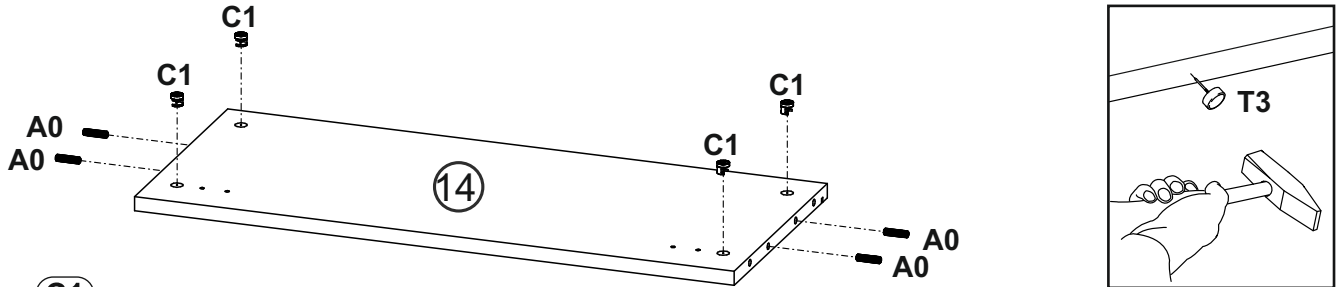
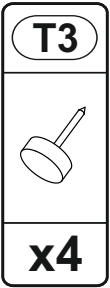
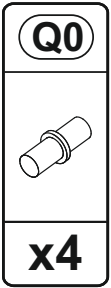
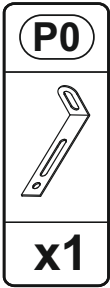
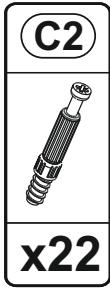
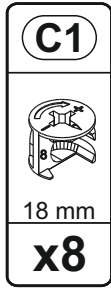
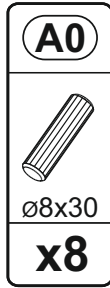
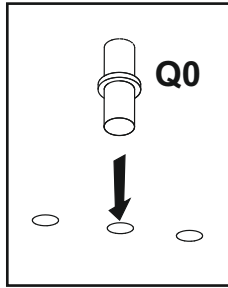
| | | | | | | | | | | |
|---|--|--|--|--|--|--|--|--|---|--|
| A0  ø8x30 x44 | B0  ø 7mm x4 | B1  ø7x50 x6 | C0  ø16mm x8 | C01  ø16mm x10 | C1  18 mm x8 | C2  x26 | C7  16 mm x18 | D0  3x15 x36 | D5  3,5x16 x8 | D21  5x13 x1 |
| E0  8x50 x1 | F4  x2 | J4  x2 | J6  x2 | K  4mm x1 | M1  x18 | M3  x12 | P0  x1 | Q0  x4 | Q4  x2 | T3  x6 |

| | | | | | |
|---|-------|-------|----|----|-----|
| ① | 764 | 80 | 18 | x2 | 1/2 |
| ② | 764 | 60 | 18 | x1 | 1/2 |
| ③ | 327.5 | 303 | 16 | x3 | 1/2 |
| ④ | 764 | 305 | 16 | x1 | 1/2 |
| ⑤ | 764 | 305 | 16 | x1 | 1/2 |
| ⑥ | 764 | 305 | 16 | x1 | 1/2 |
| ⑦ | 764 | 278 | 16 | x1 | 1/2 |
| ⑧ | 758 | 425.5 | 16 | x1 | 1/2 |

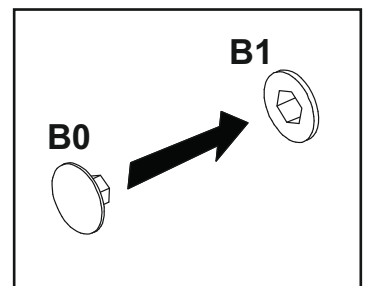
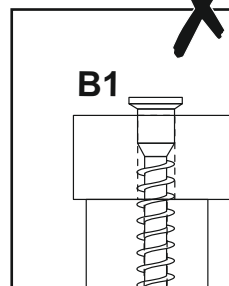
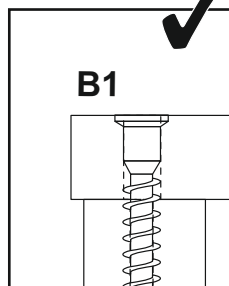
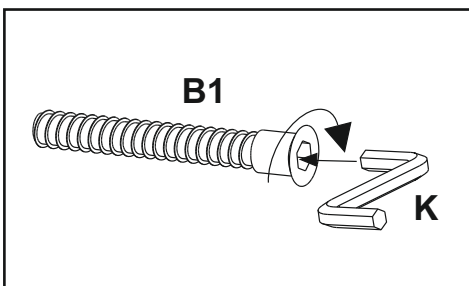
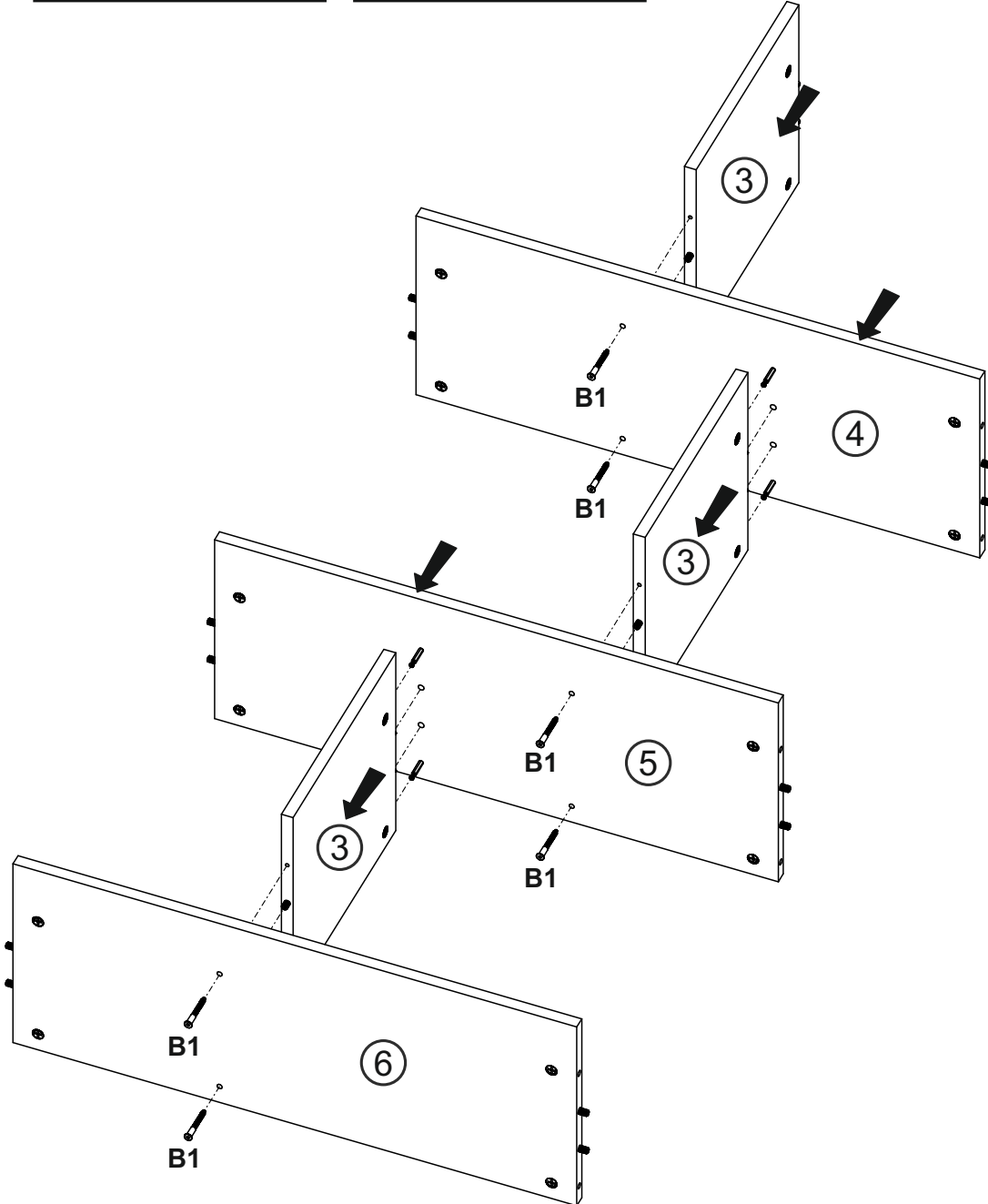
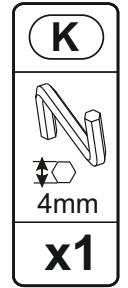
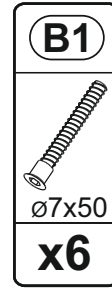
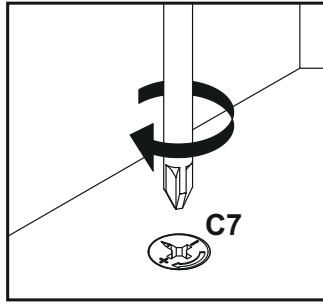
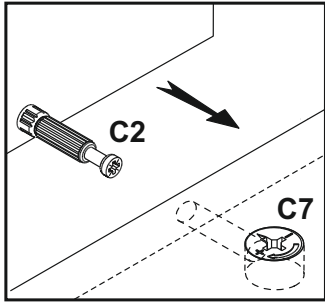
| | | | | | |
|---|------|-----|----|----|-----|
| ⑨ | 340 | 774 | 3 | x1 | 1/2 |
| ⑩ | 343 | 774 | 3 | x2 | 1/2 |
| ⑪ | 466 | 774 | 3 | x1 | 1/2 |
| ⑫ | 1582 | 328 | 18 | x1 | 2/2 |
| ⑬ | 1582 | 328 | 18 | x1 | 2/2 |
| ⑭ | 764 | 326 | 18 | x1 | 2/2 |
| ⑮ | 801 | 330 | 18 | x1 | 2/2 |
|  | | | | | 1/2 |



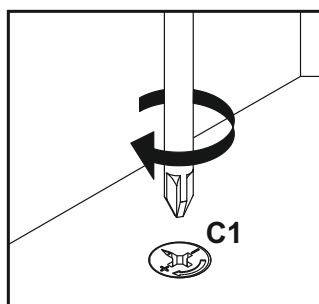
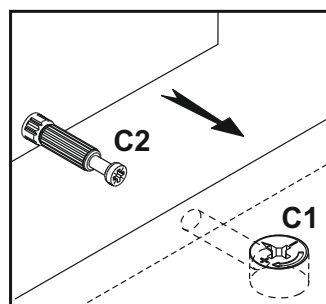
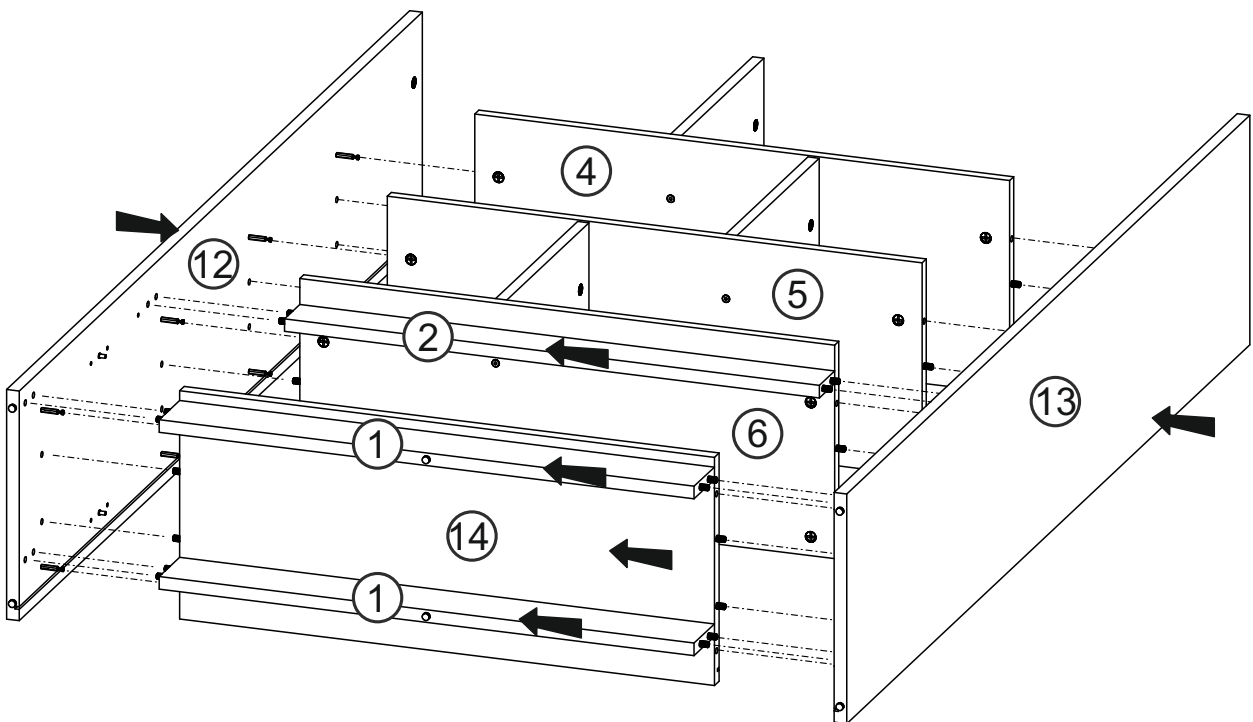
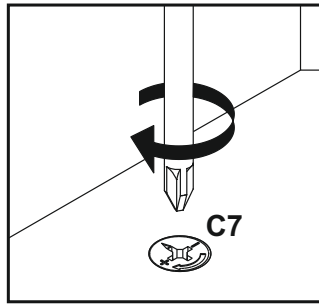
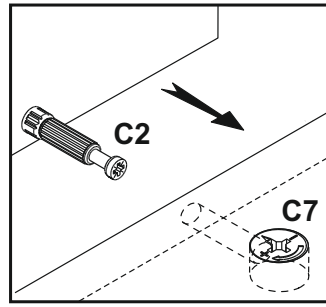
1



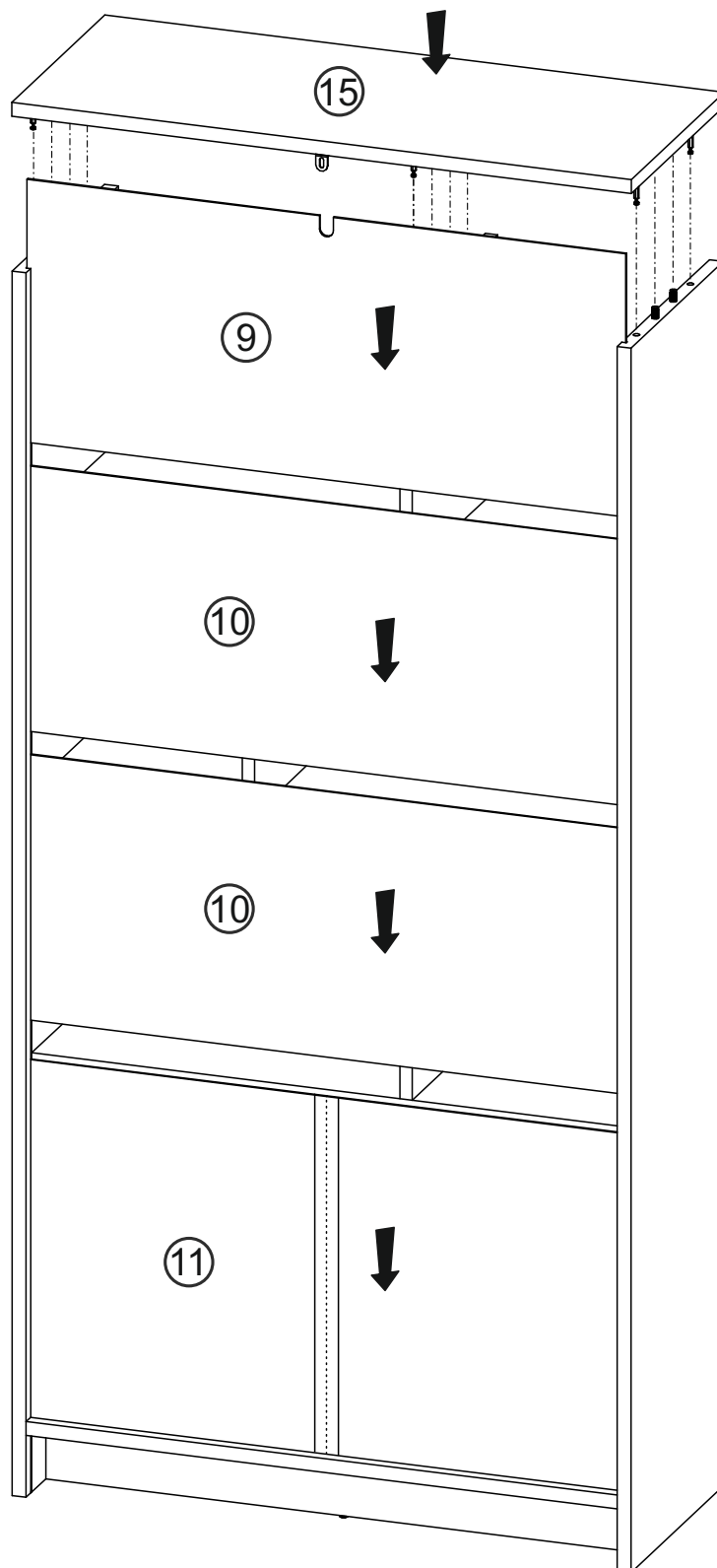
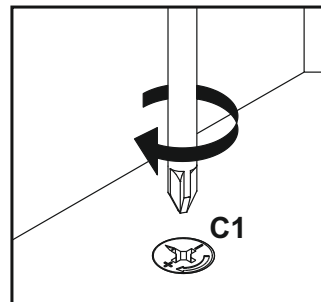
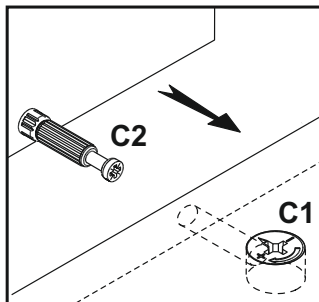
3



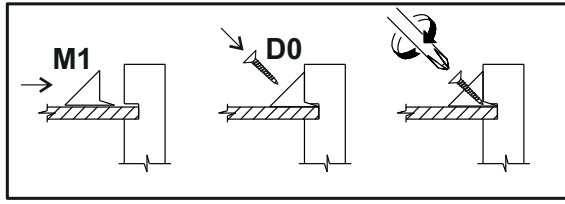
4



5



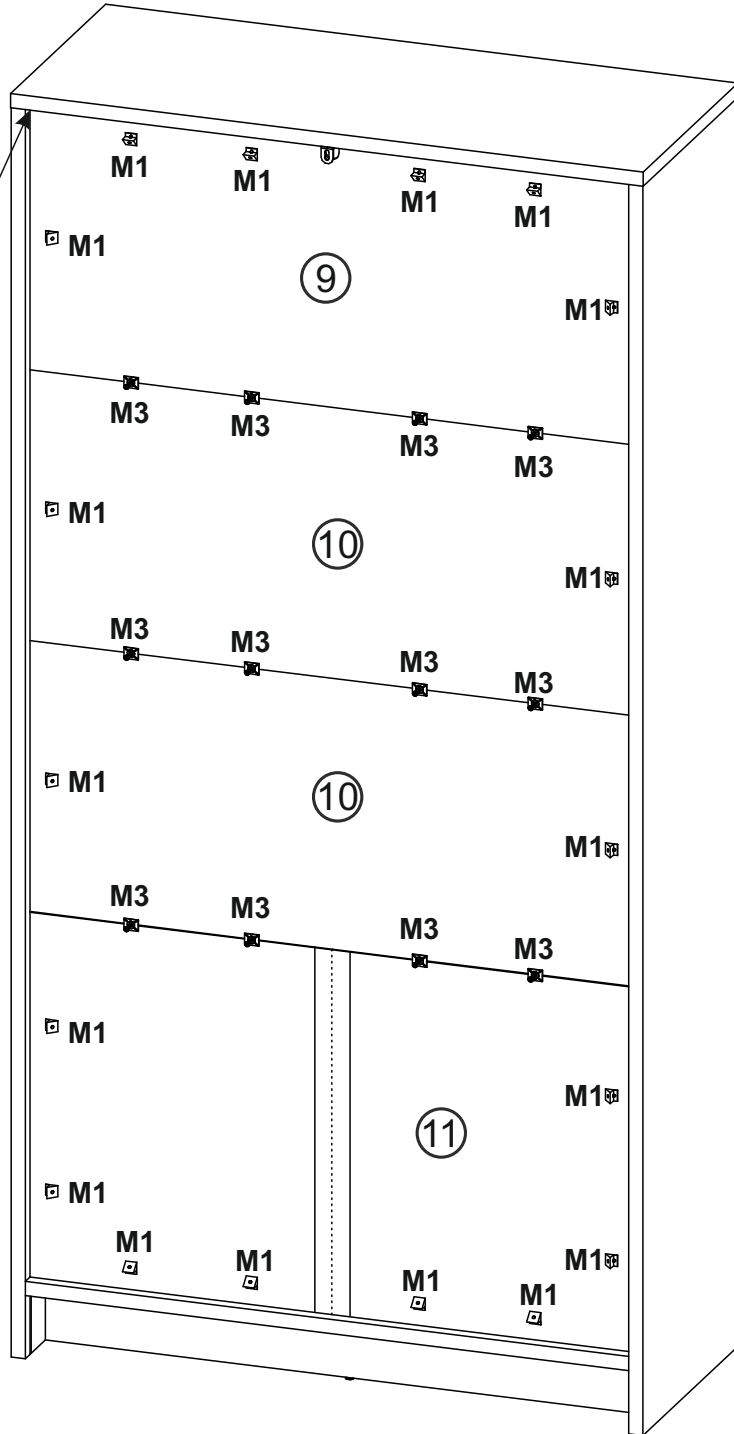
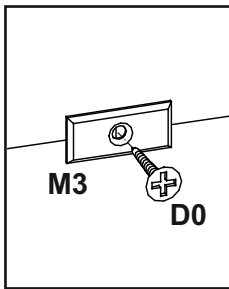
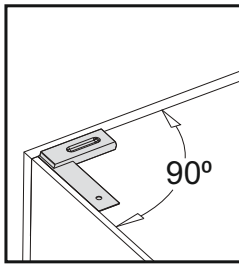
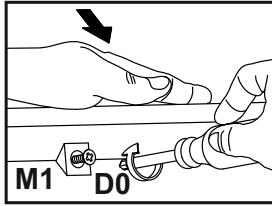
6



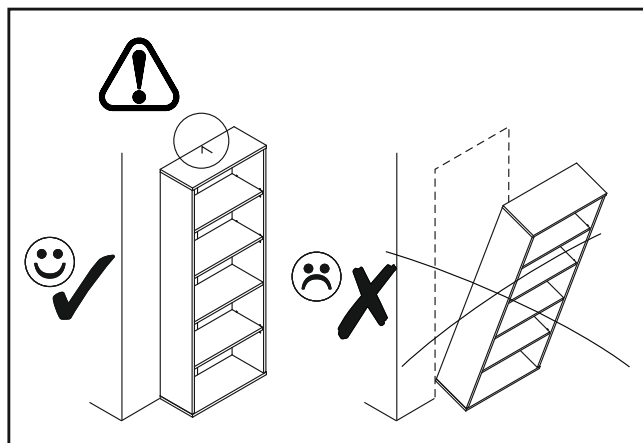
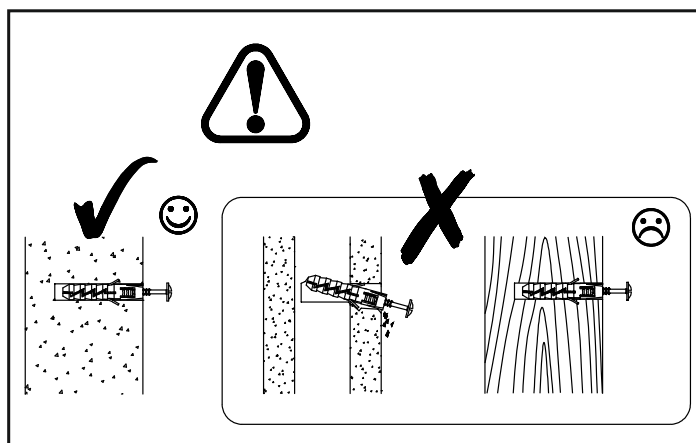
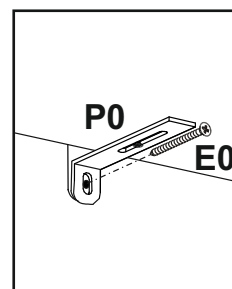
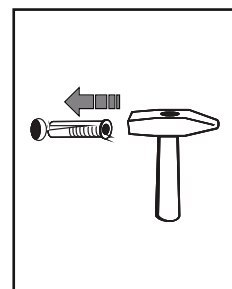
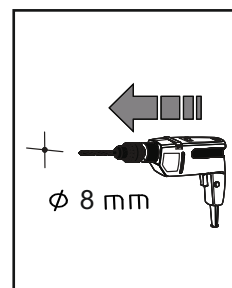
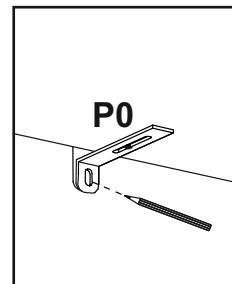
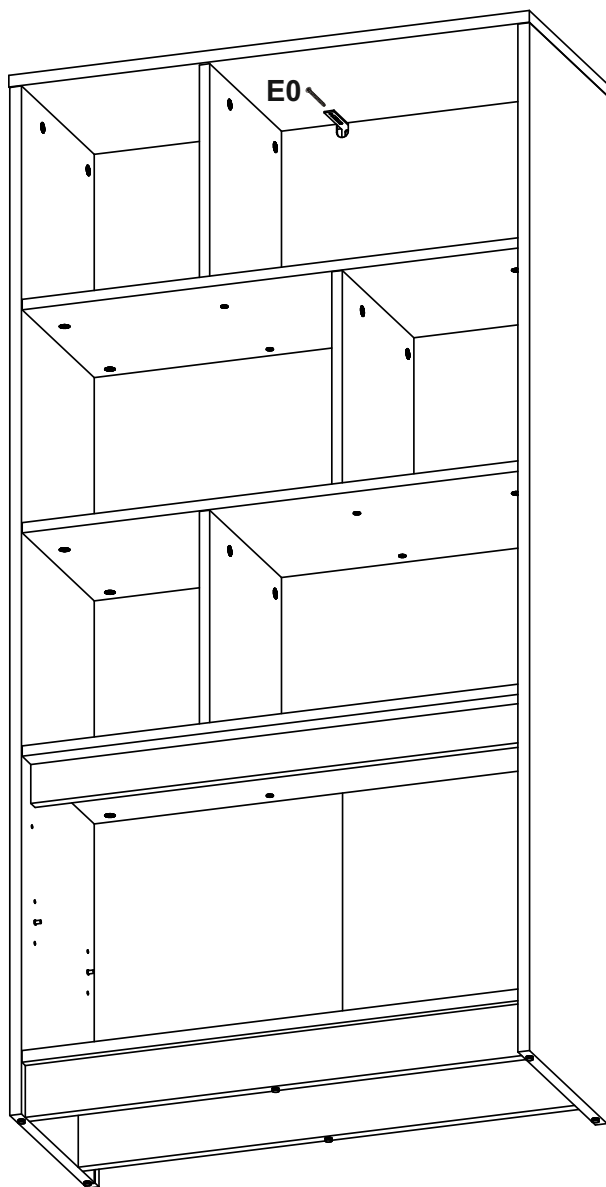
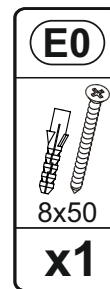
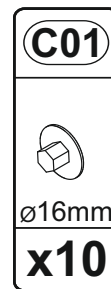
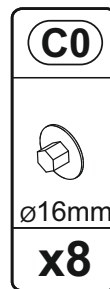
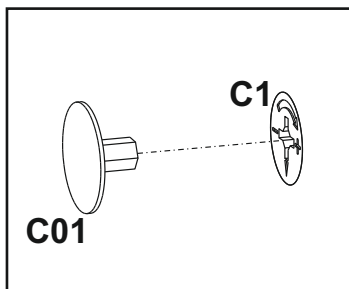
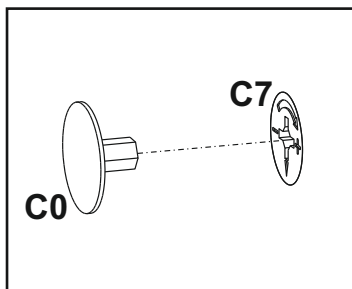
| |
|------------|
| D0 |
| |
| 3x15 |
| x30 |

| |
|------------|
| M1 |
| |
| x18 |

| |
|------------|
| M3 |
| |
| x12 |



7

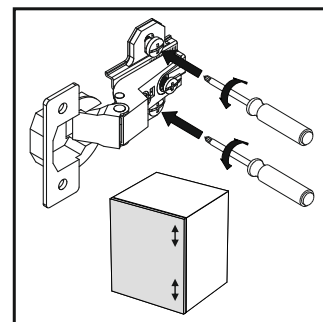
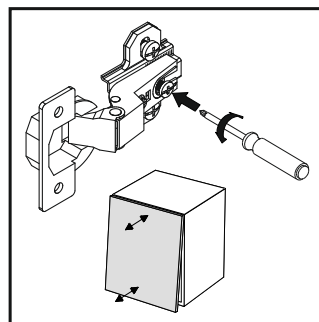
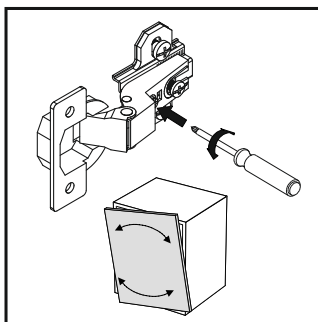
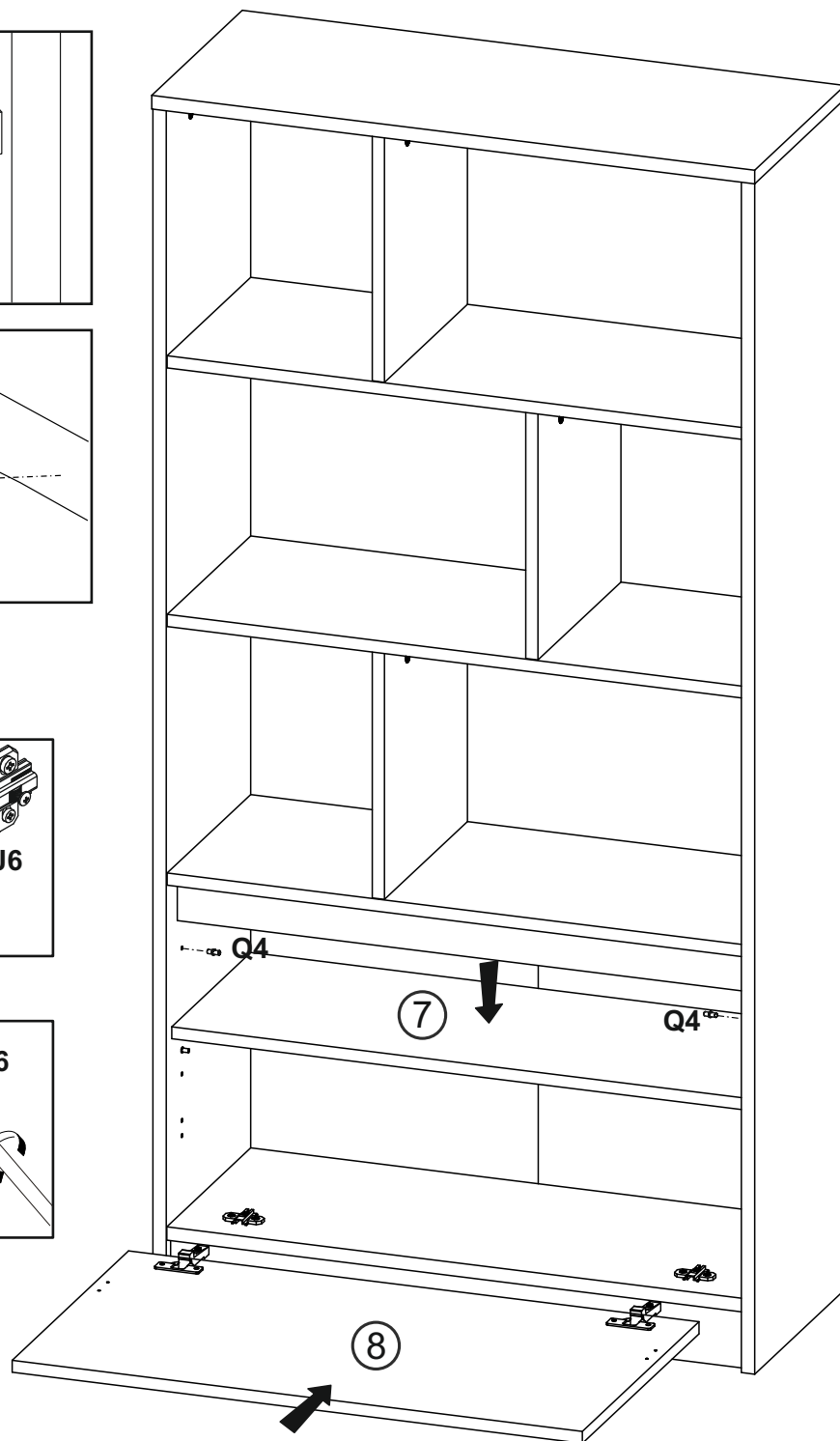
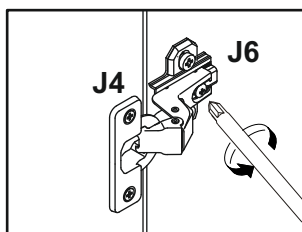
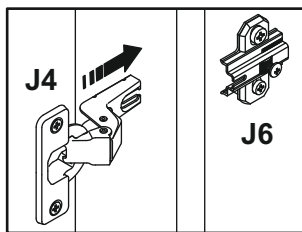
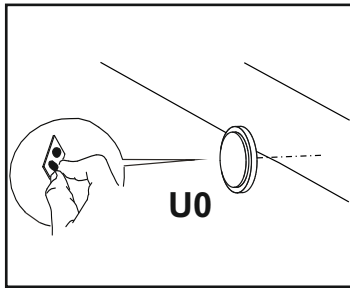
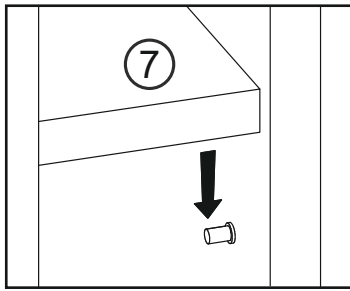


8




Q4



x2



9

| | | |
|---|---|---|
| D0 | D5 | F4 |
|  |  |  |
| 3x15 | 3,5x16 | |
| x6 | x4 | x2 |

