



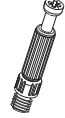



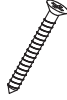


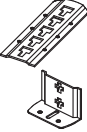

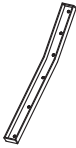



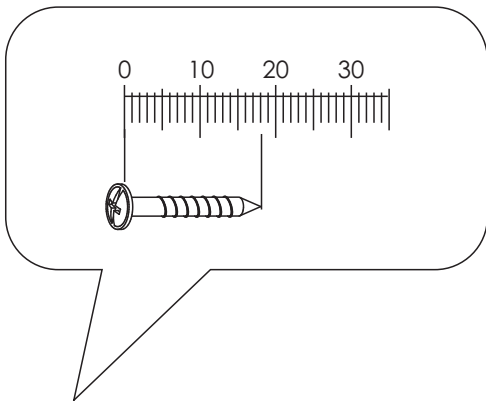
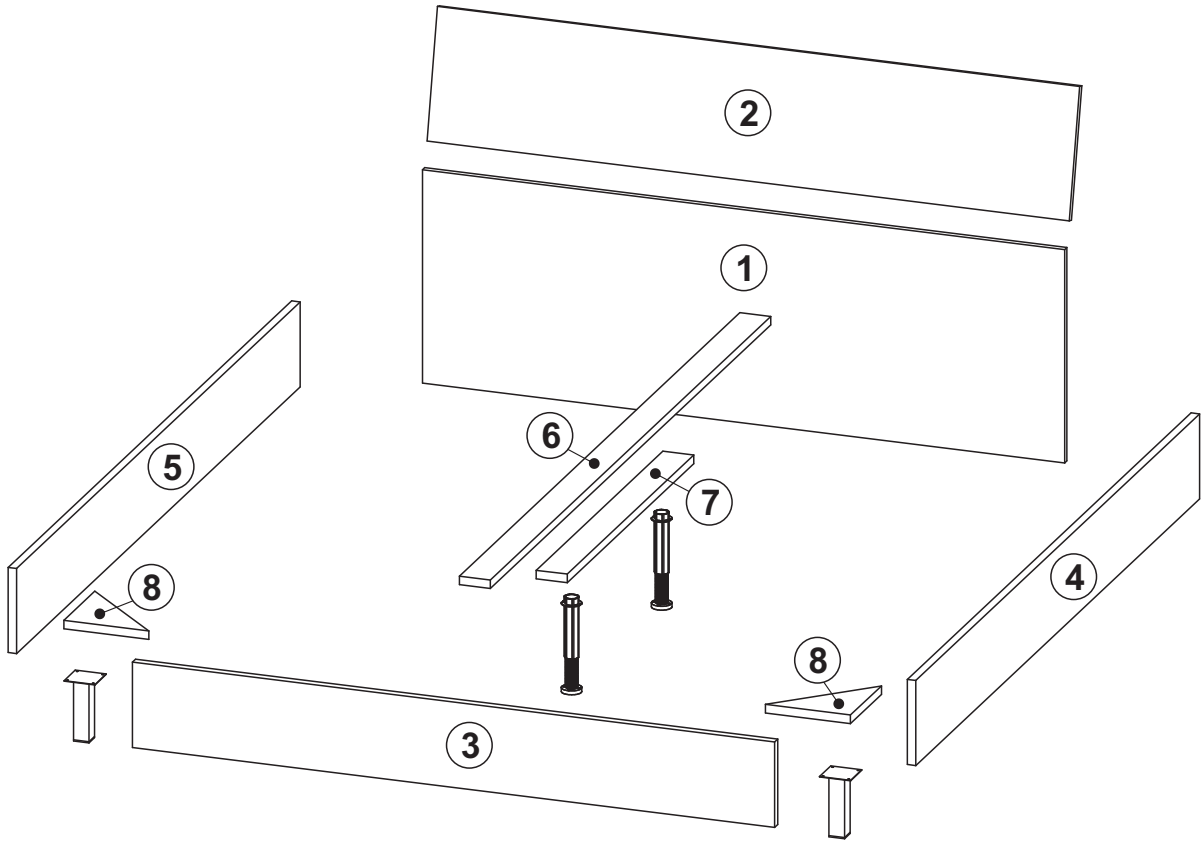



A0	B2	C2	C7	C24	C25	D4	D10	D14	D30	K
										
Ø8x30	Ø7x70		16mm			3.5x18	4x16	4x35	6,3x13(14)	4mm
x12	x4	x4	x8	x4	x4	x18	x56	x3	x18	x1

P3	P8	P10	T3	T9	T26
					
x8	x2	x3	x4	x2	x2





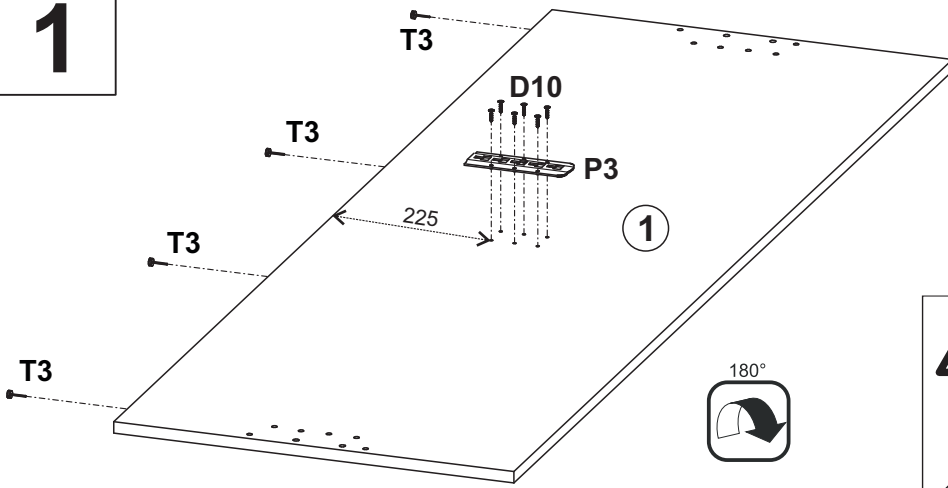
160

①	1661	549	16 x1	1/3
②	1661	331	16 x1	1/3
③	1661	221	16 x1	1/3
④	2016	220	22 x1	2/3
⑤	2016	220	22 x1	2/3
⑥	1992	80	22 x1	2/3
⑦	900	80	22 x1	2/3
⑧	220	220	22 x2	2/3
				3/3

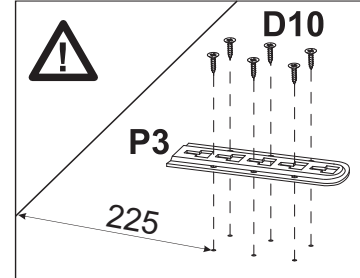
180

①	1861	549	16 x1	1/3
②	1861	331	16 x1	1/3
③	1861	221	16 x1	1/3
④	2016	220	22 x1	2/3
⑤	2016	220	22 x1	2/3
⑥	1992	80	22 x1	2/3
⑦	900	80	22 x1	2/3
⑧	220	220	22 x2	2/3
				3/3

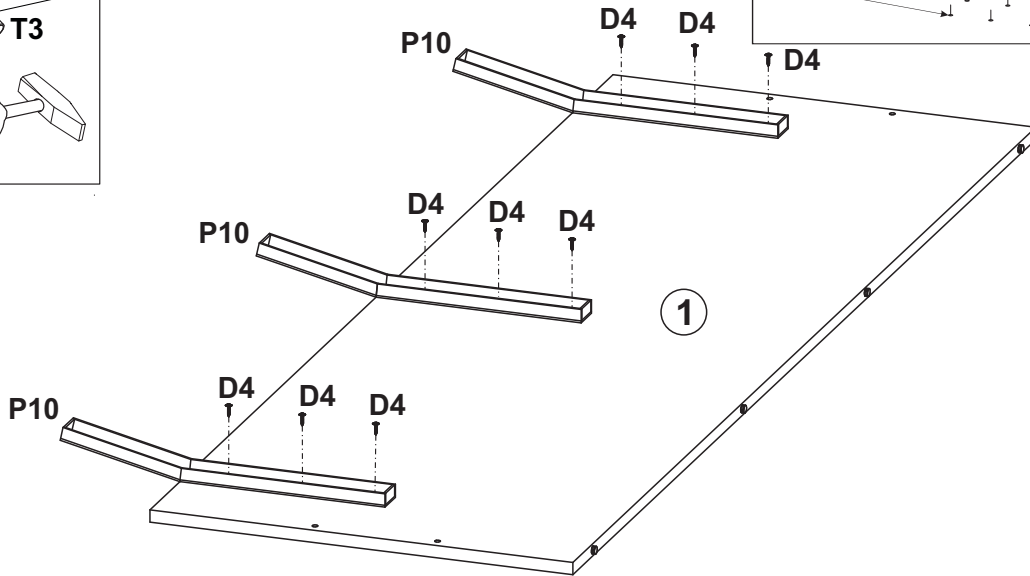
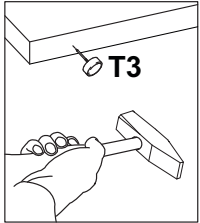
1



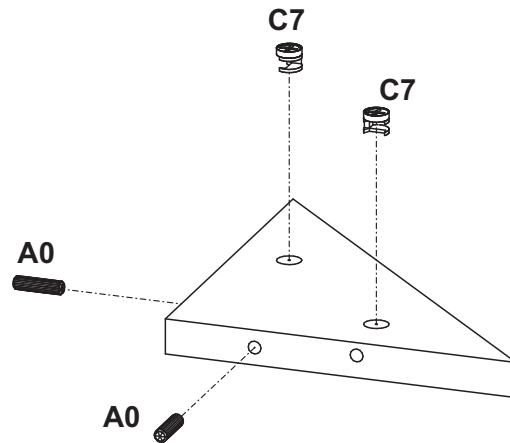
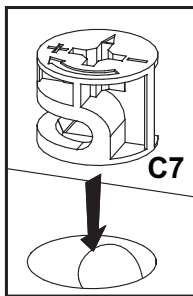
D4	D10	P3	P10
3.5x18	4x16		
x9	x6	x1	x3



T3
x4

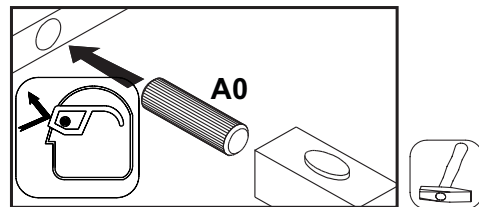
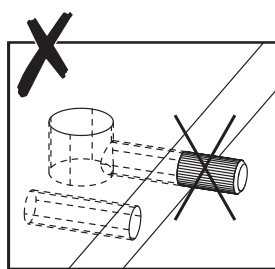
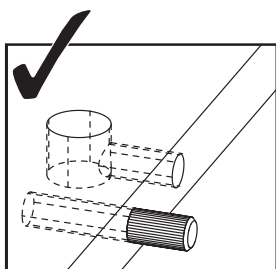


2

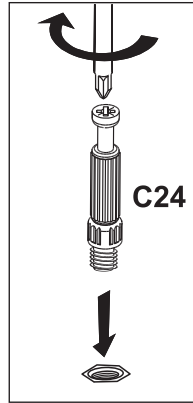
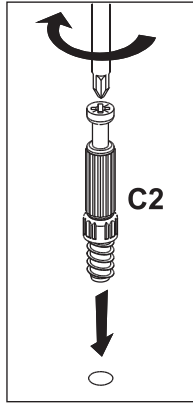


A0	C7
Ø8x30	16mm
x4	x4

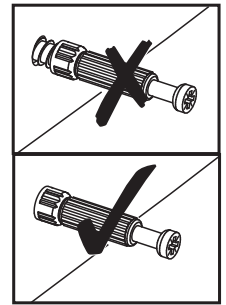
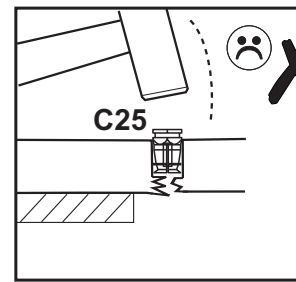
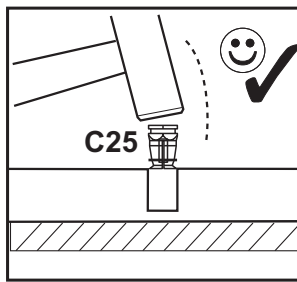
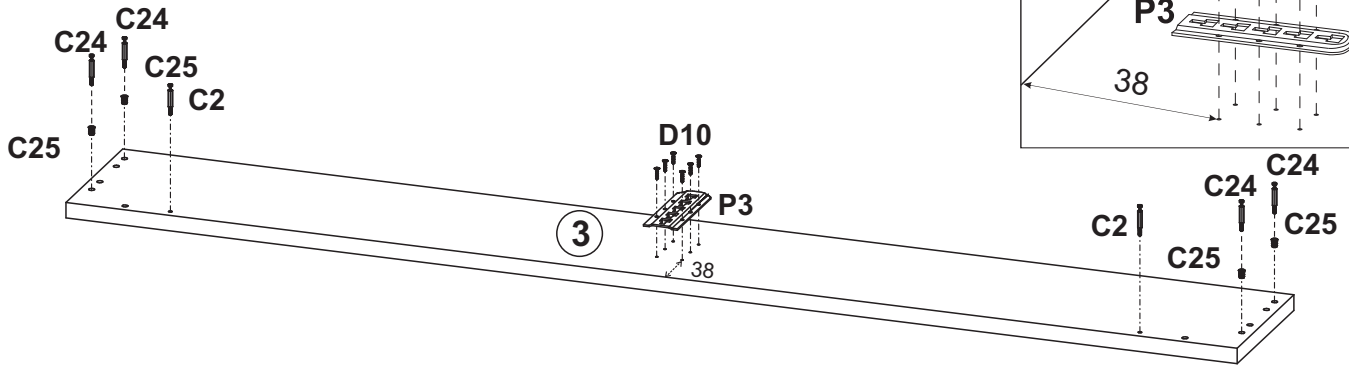
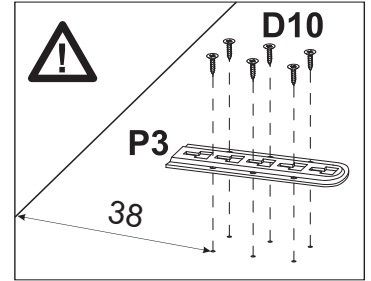
x2



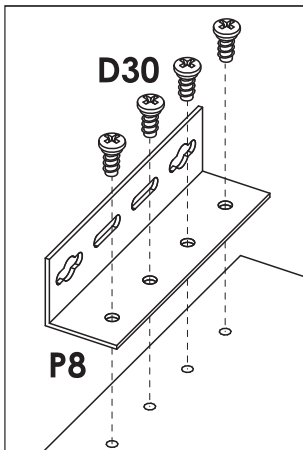
3



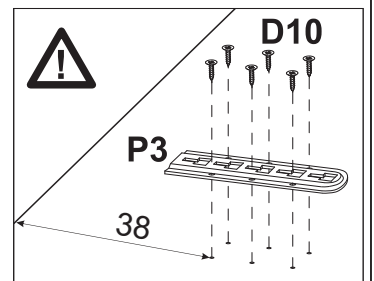
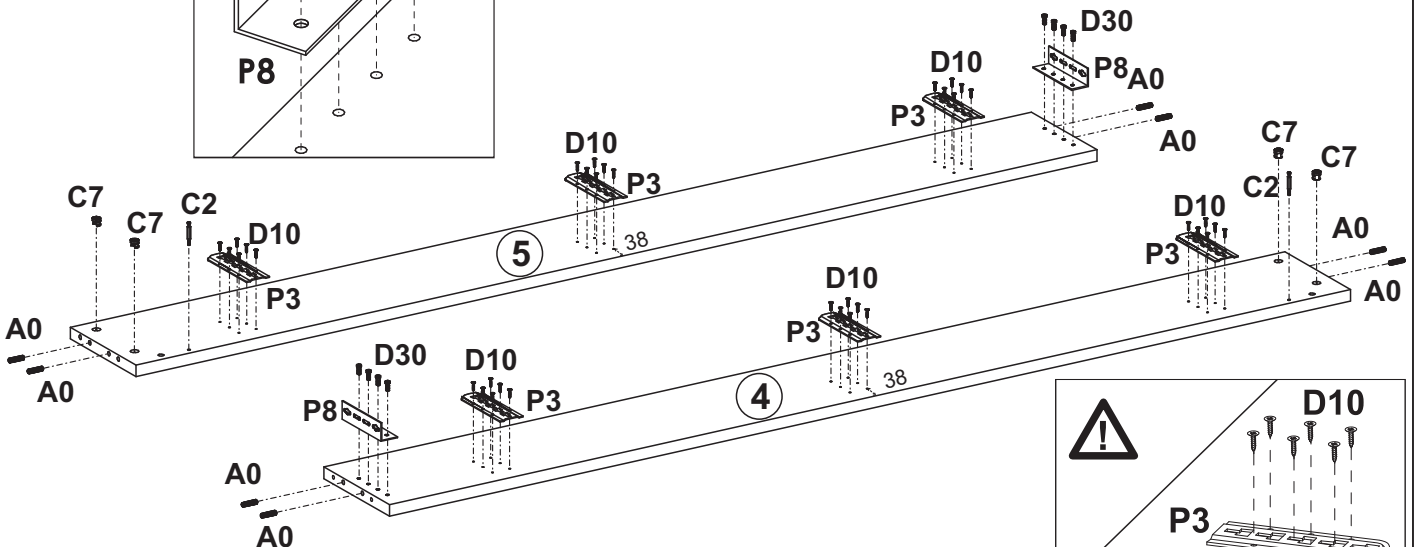
C2	C24	C25	D10	P3
x2	x4	x4	x6	x1



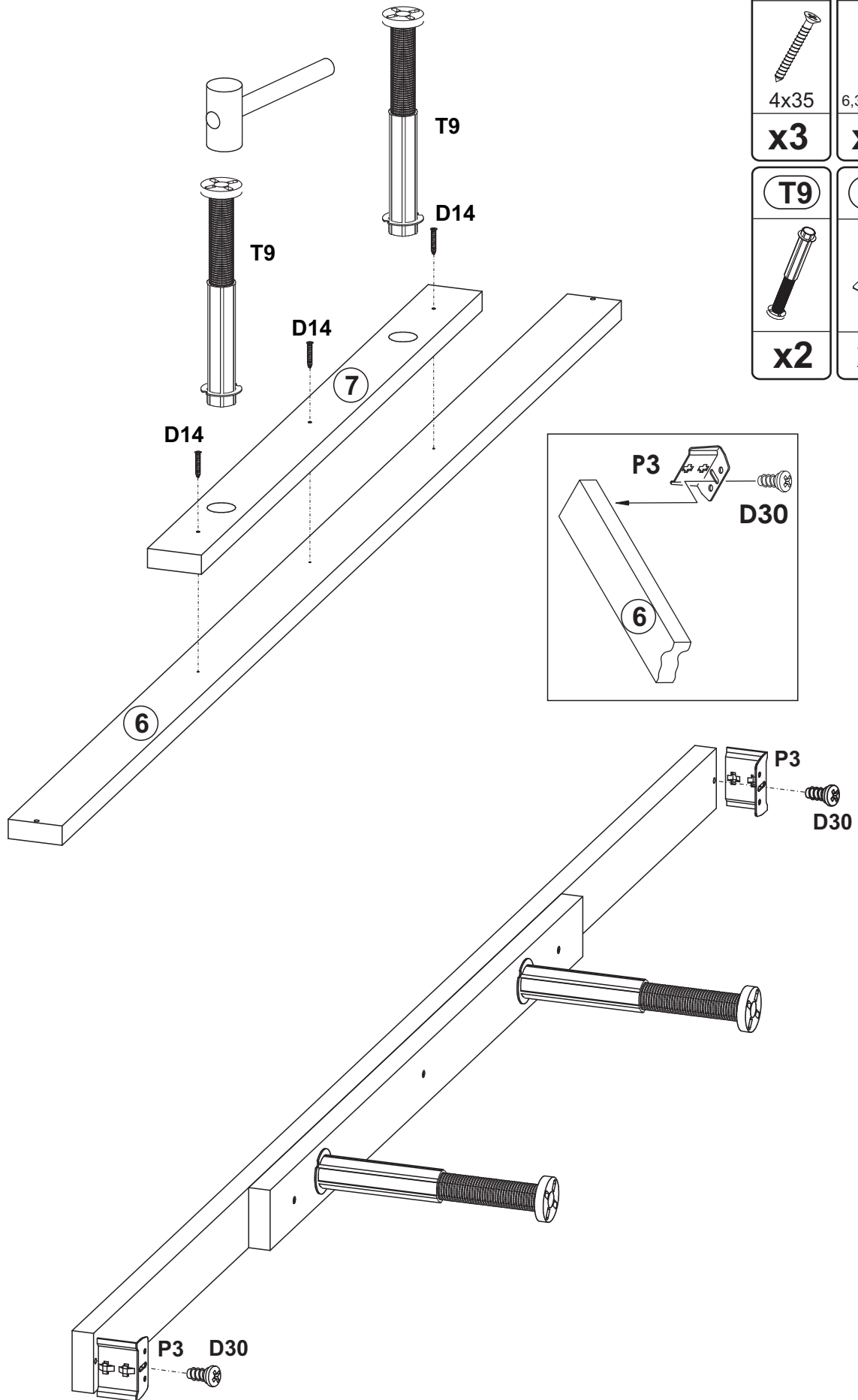
4







A0	C2	C7	D10	D30	P3	P8
x8	x2	x4	x36	x8	x6	x2

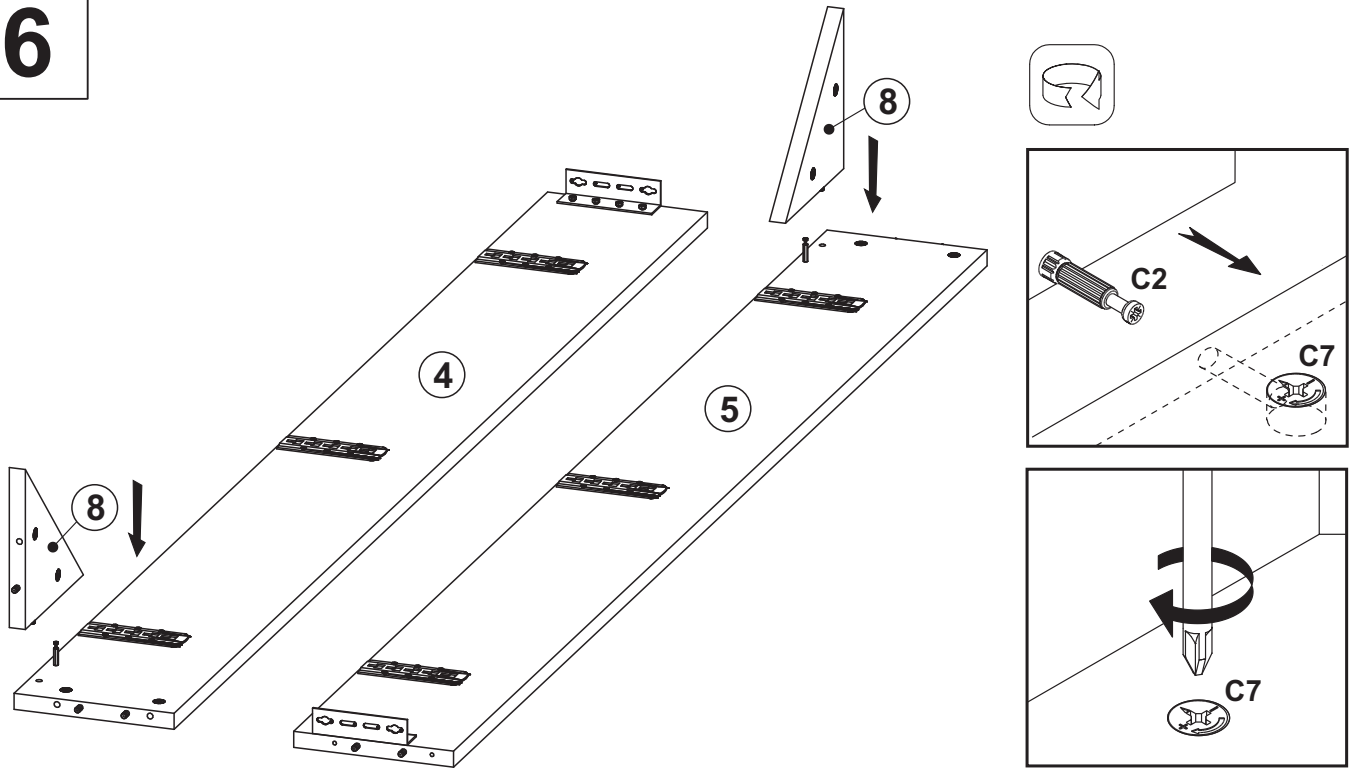


5

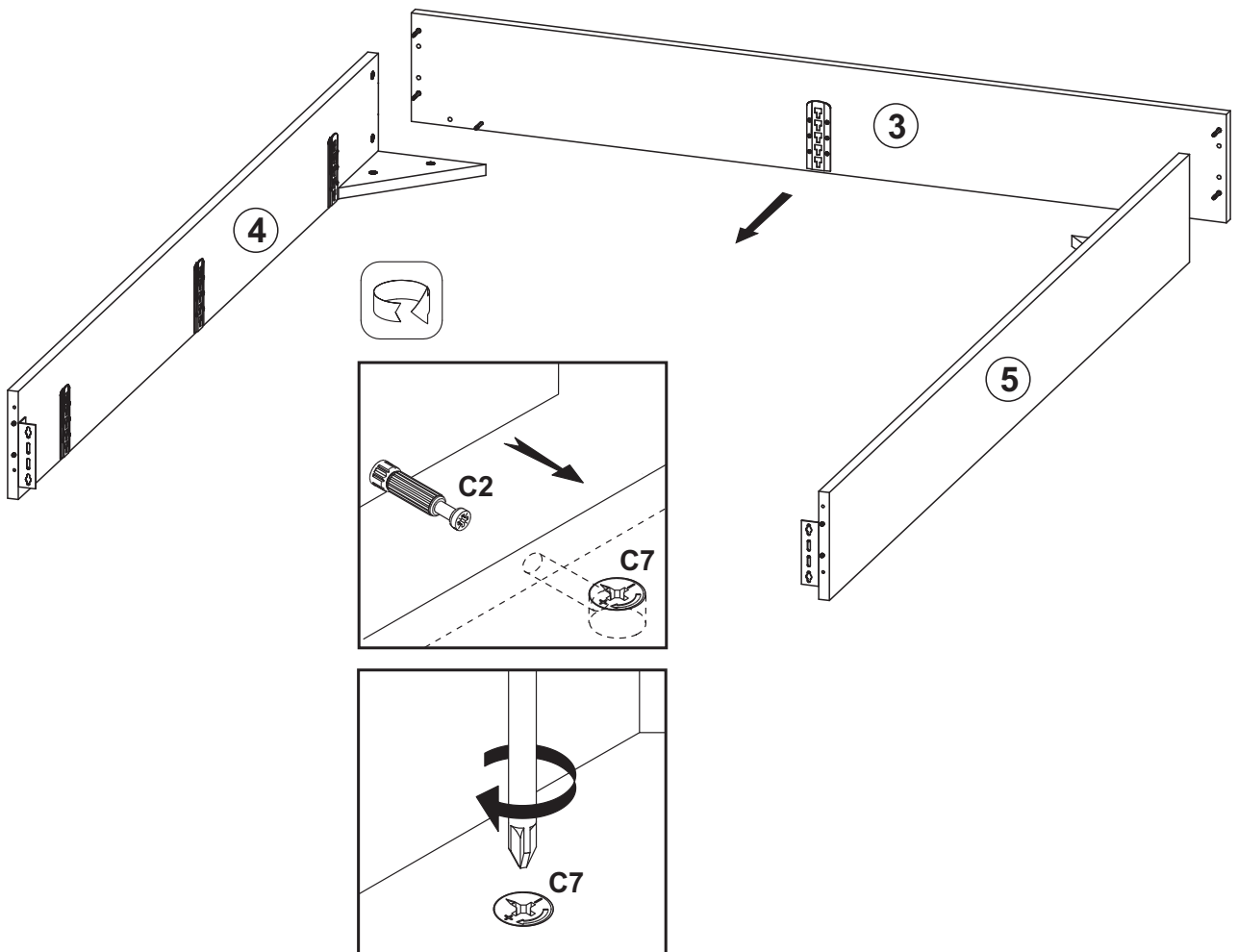


D14	D30
	
4x35	6,3x13(14)
x3	x2
T9	P3
	
x2	x2



6

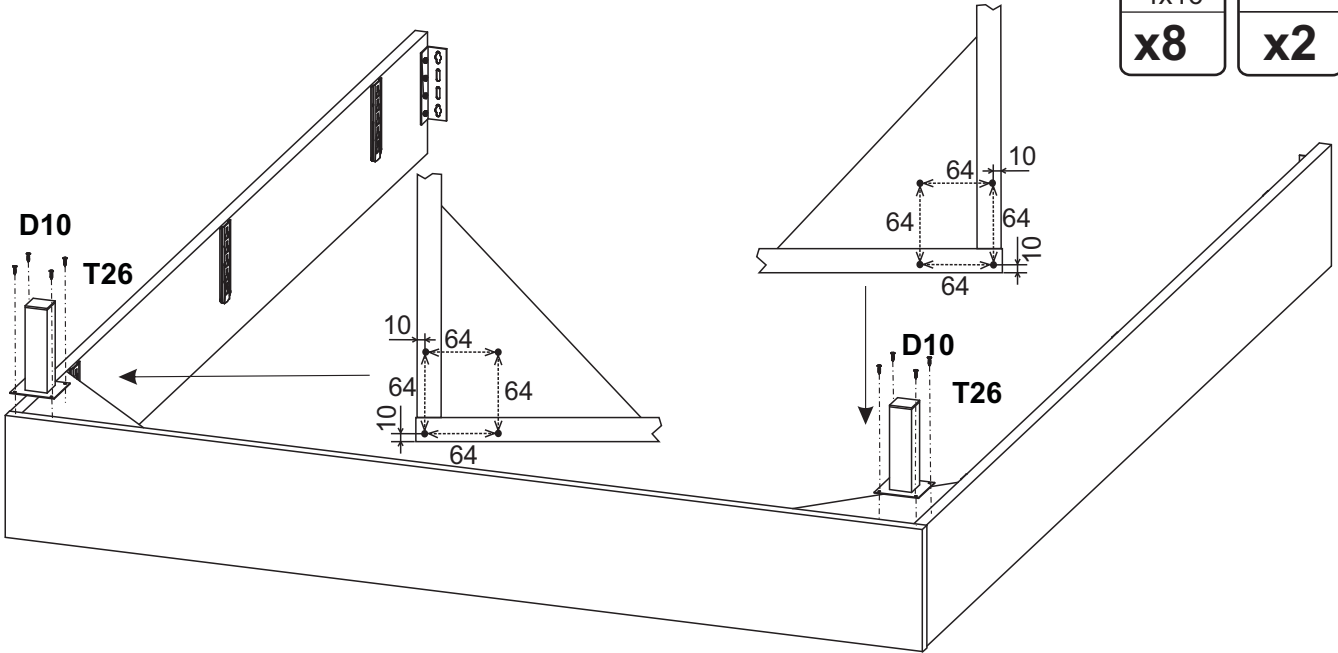


7

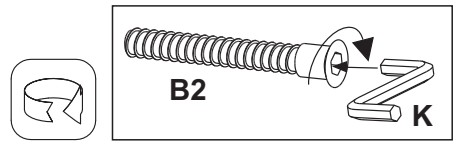





8

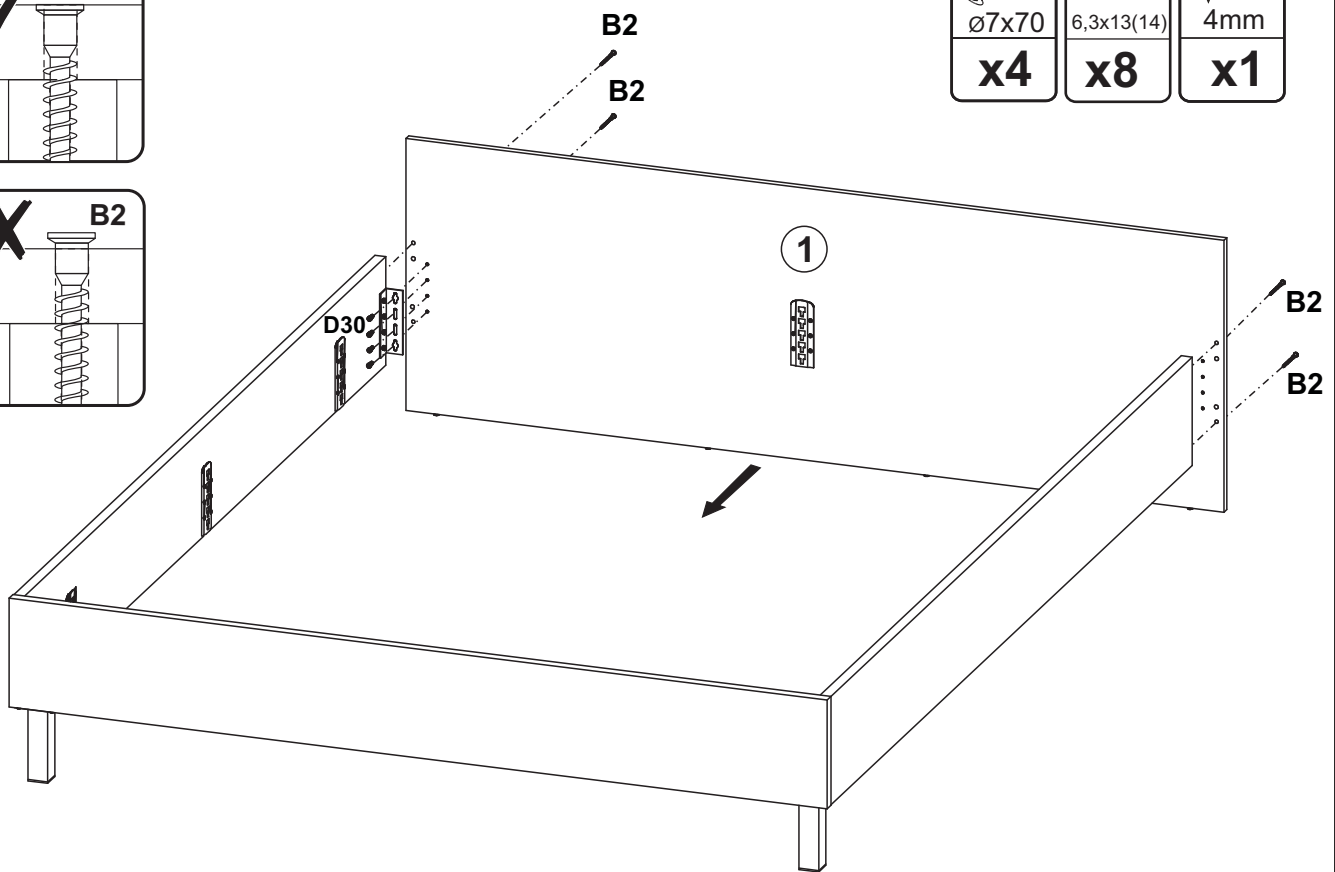
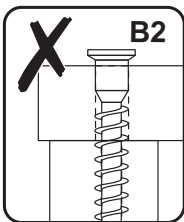
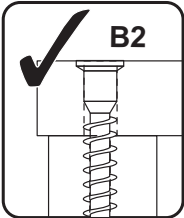
D10	T26
	
4x16	
x8	x2



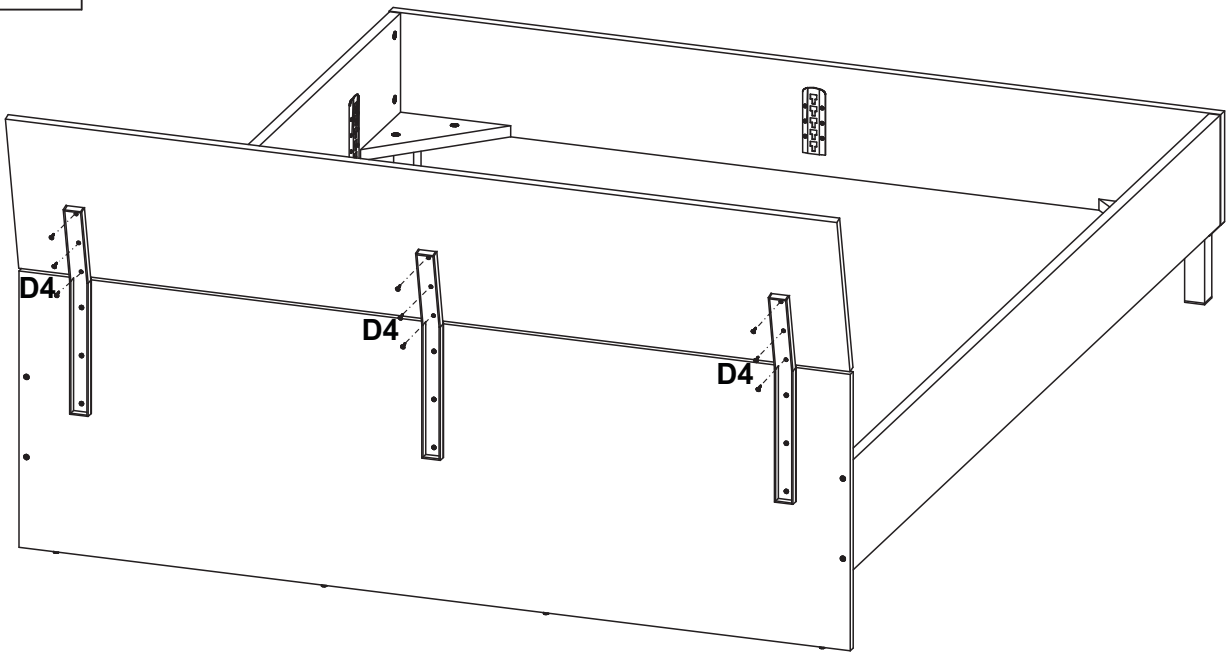
9



B2	D30	K
		
ø7x70	6,3x13(14)	4mm
x4	x8	x1



10



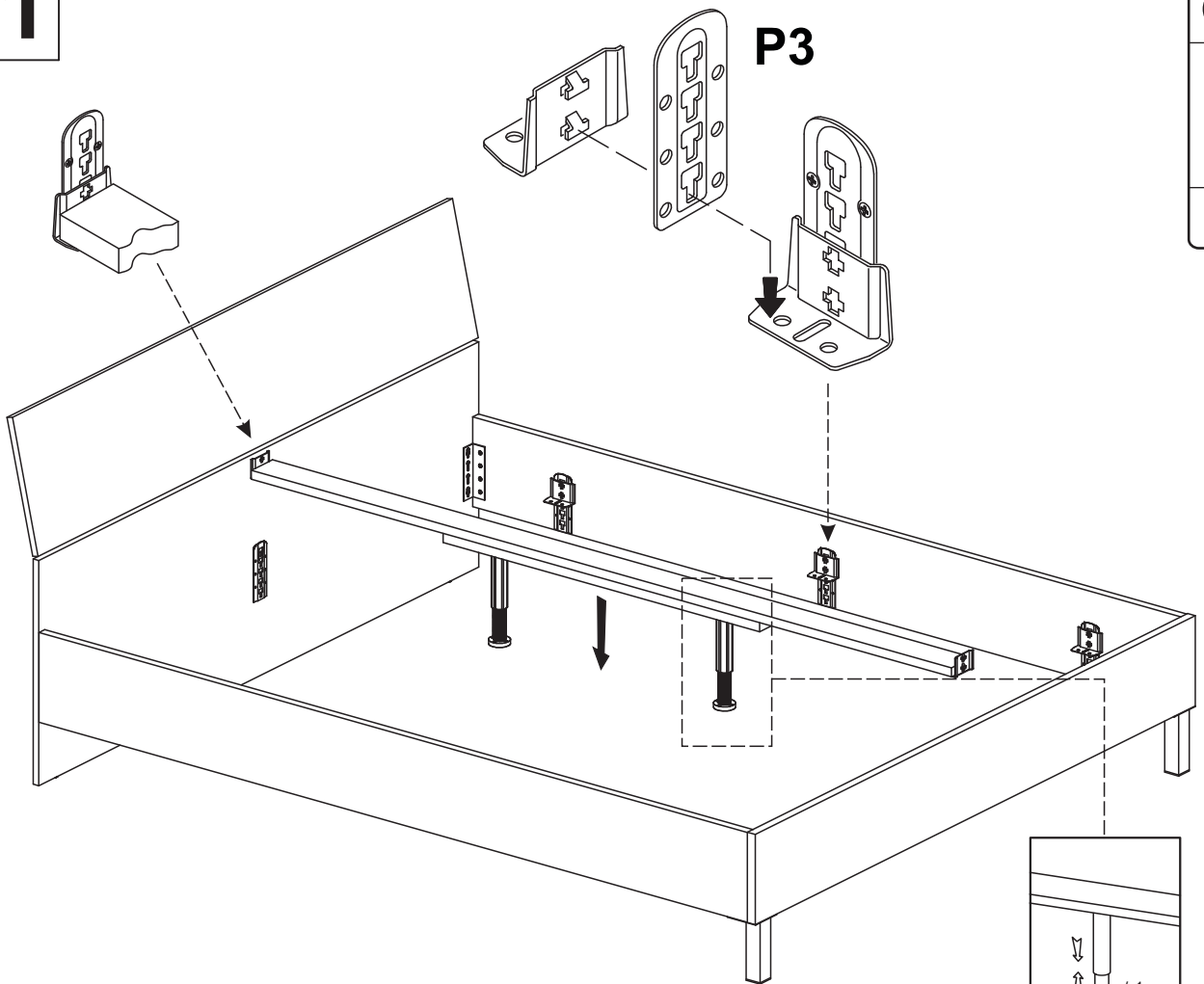
D4



3.5x18

x9

11



P3



x6

