








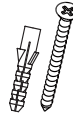







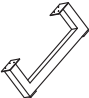
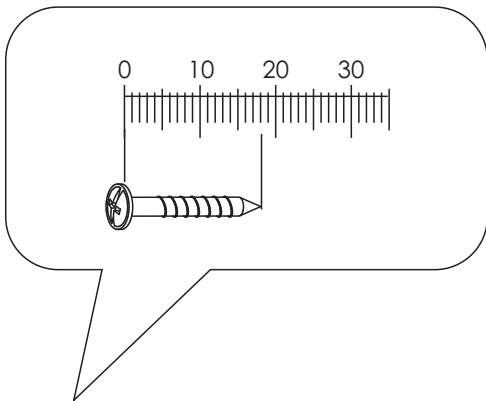
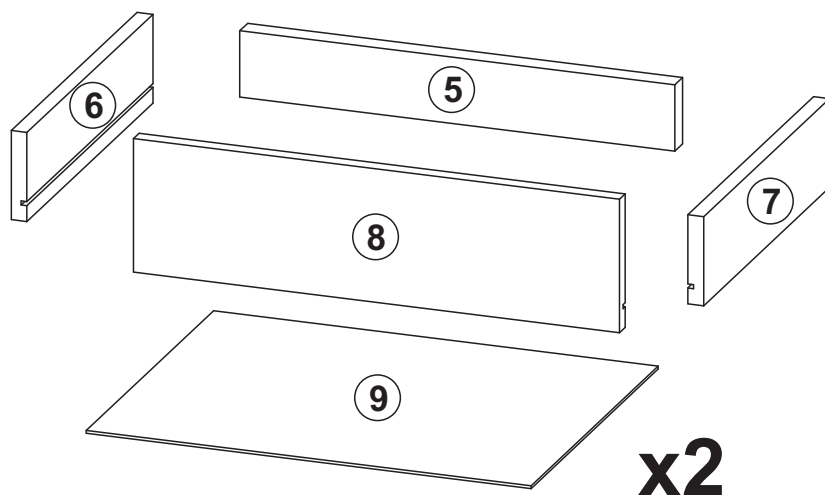
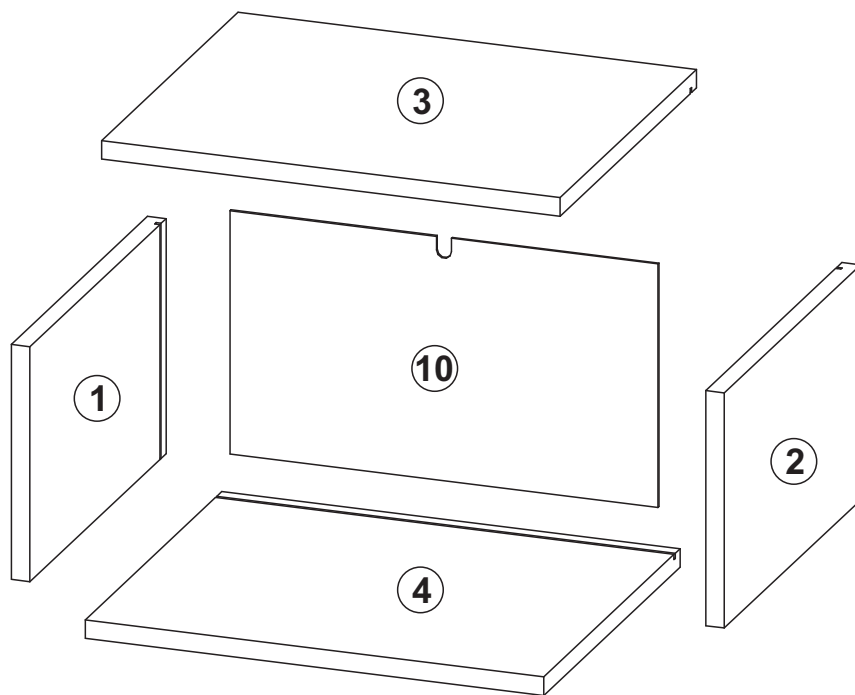


A0	B2	B1	C0	C2	C7	D0	D5	D21	E0	H2
										
Ø8x30	Ø7x70	Ø7x50		16mm	3x15	3,5x16	5x13	8x50	4x22	
x16	x4	x4	x4	x8	x8	x23	x12	x29	x1	x4

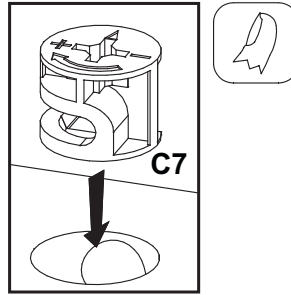
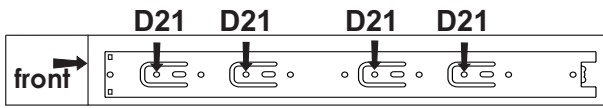
N7	K	L42	M1	T18	P0	T25
						
L-350	4mm					
x2	x1	x2	x23	x10	x1	x2



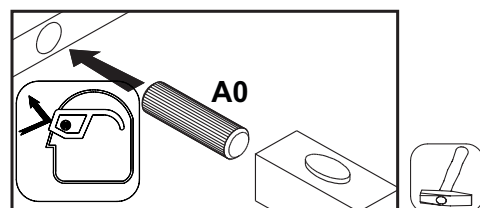
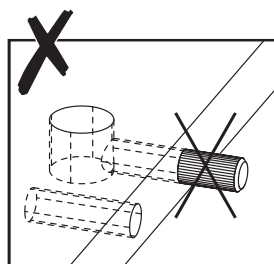
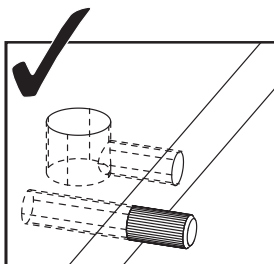
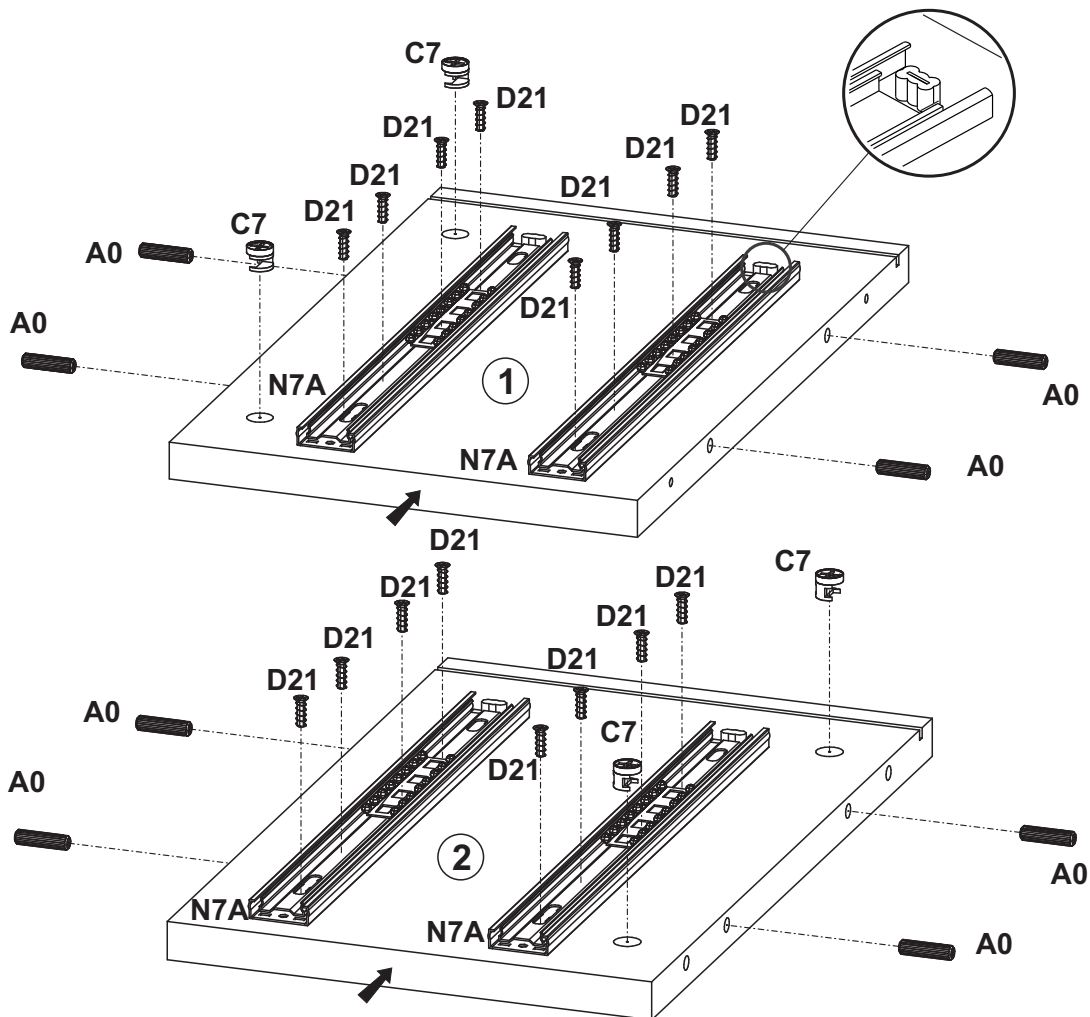
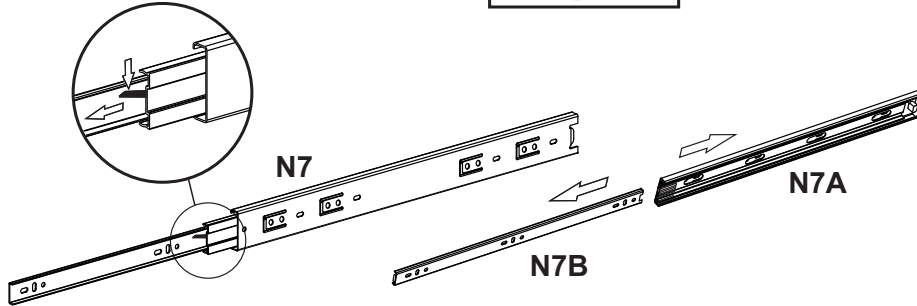


①	279	444	22 x1	1/2
②	279	444	22 x1	1/2
③	544	445	22 x1	1/2
④	544	445	22 x1	1/2
⑤	440	67	22 x2	1/2
⑥	350	90	16 x2	1/2
⑦	350	90	16 x2	1/2
⑧	492	135	16 x2	1/2
⑨	354	450	2,8 x2	1/2
⑩	508	289	2,8 x1	1/2
				2/2

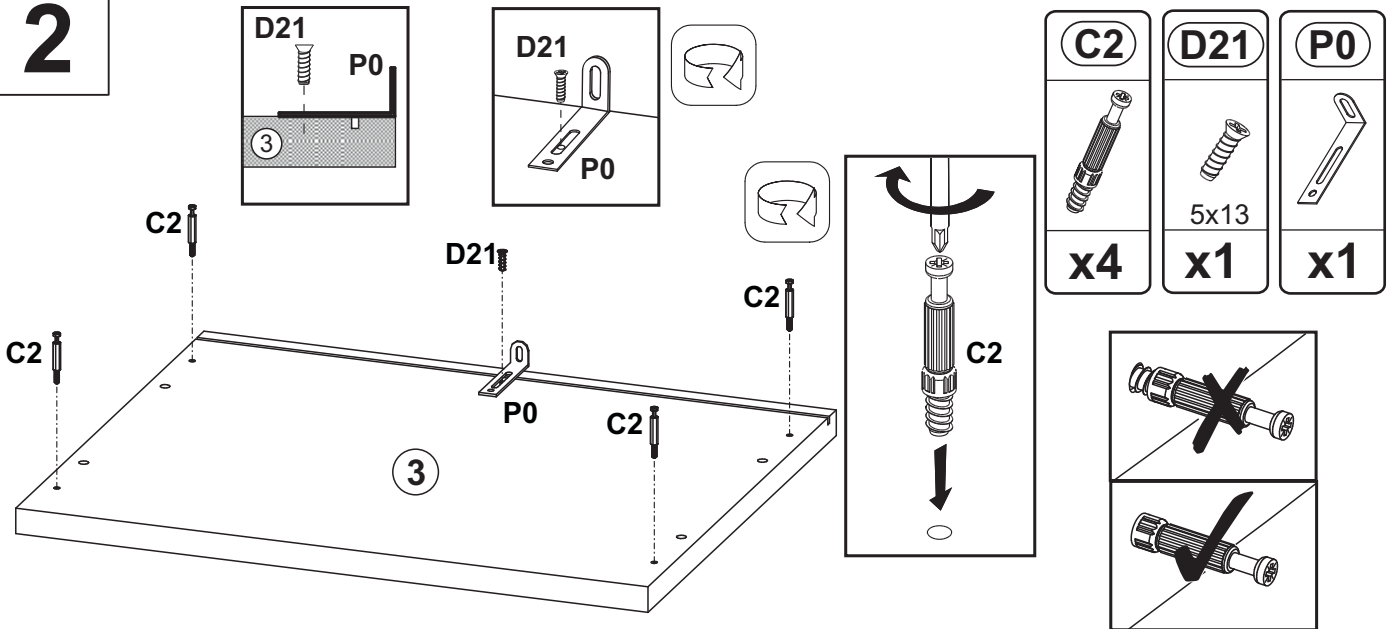
1



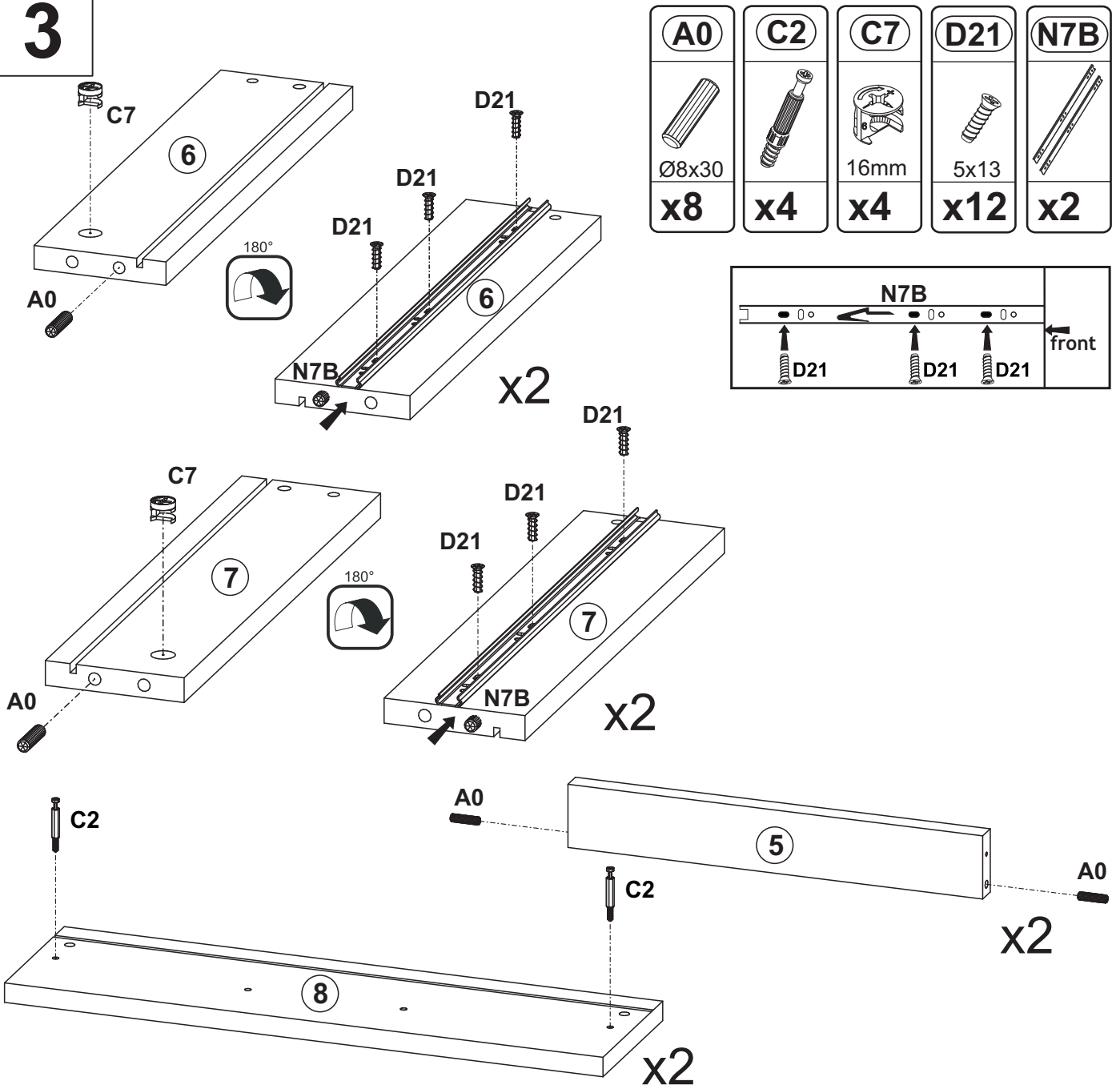
A0 Ø8x30 x8	C7 16mm x4
D21 5x13 x16	N7 L-350 x2



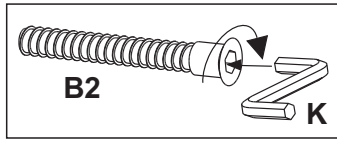
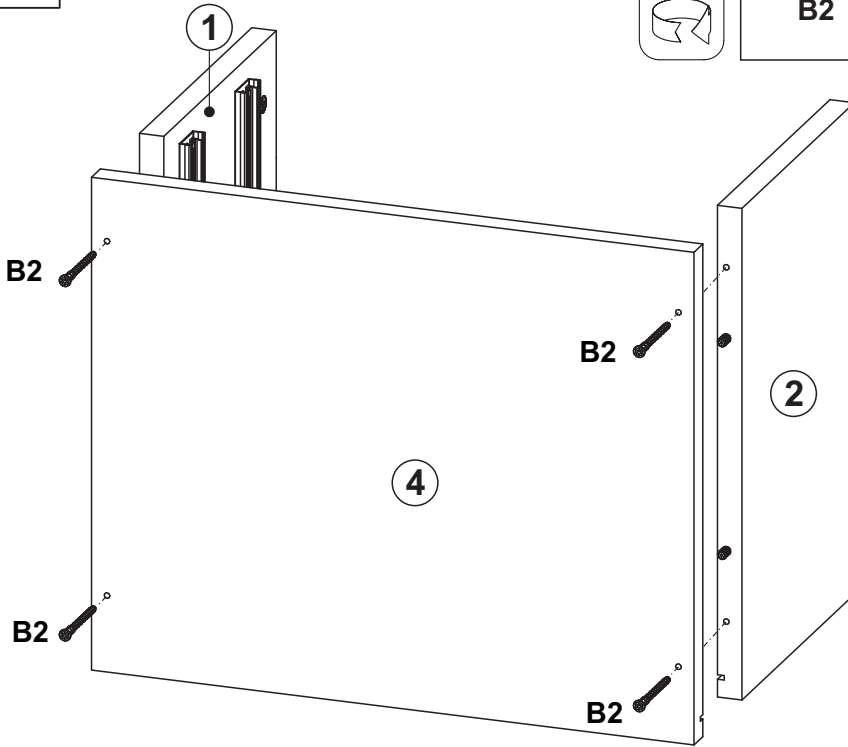
2



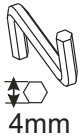
3

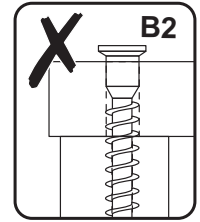
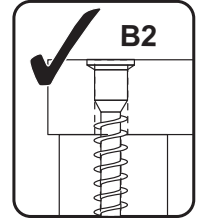


4

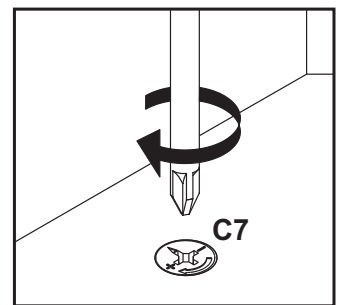
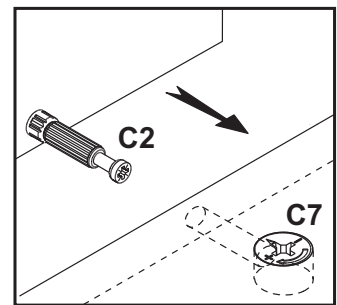
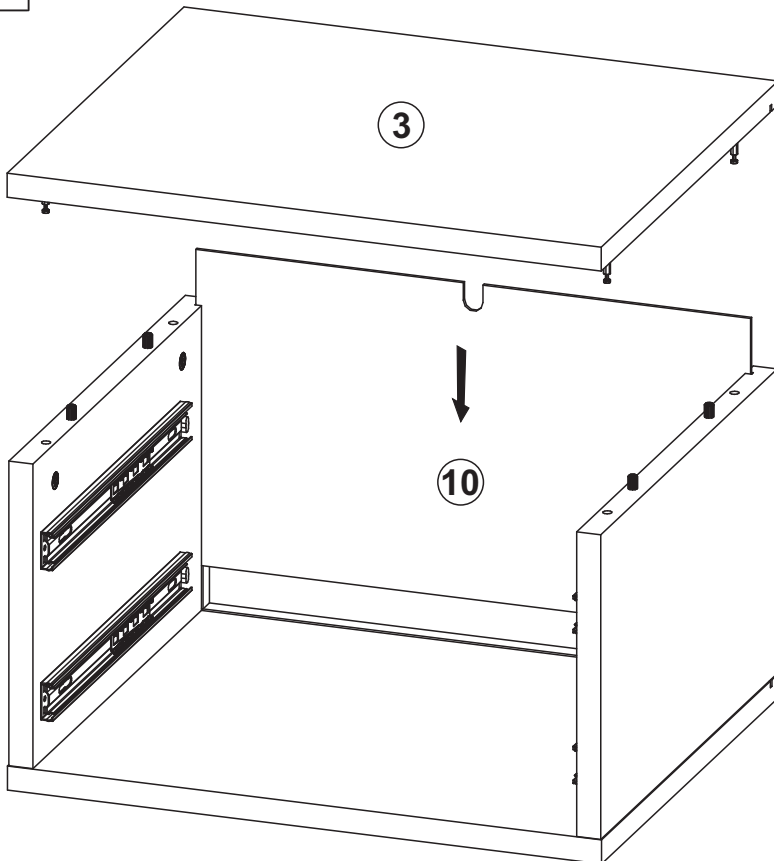


B2
 Ø7x70
x4

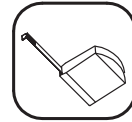
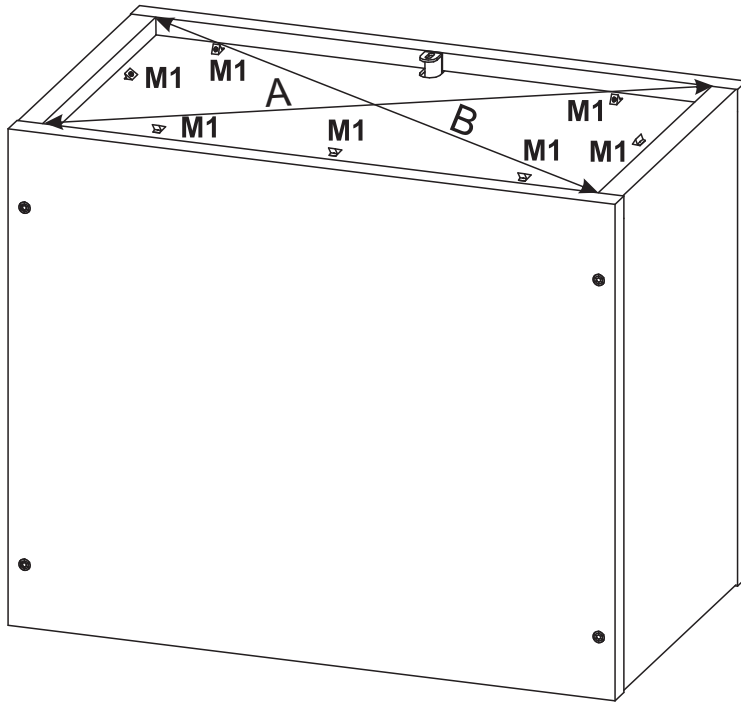
K
 4mm
x1



5

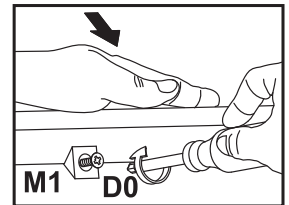
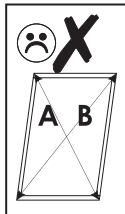
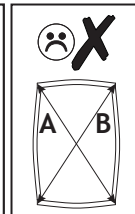
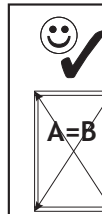
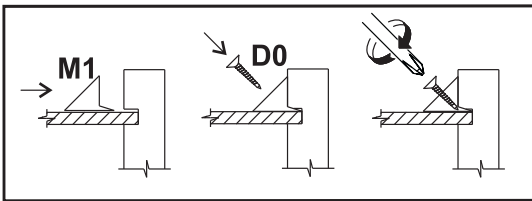
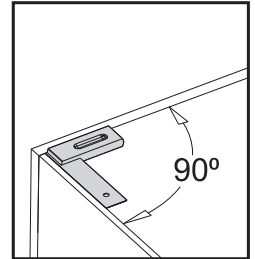


6

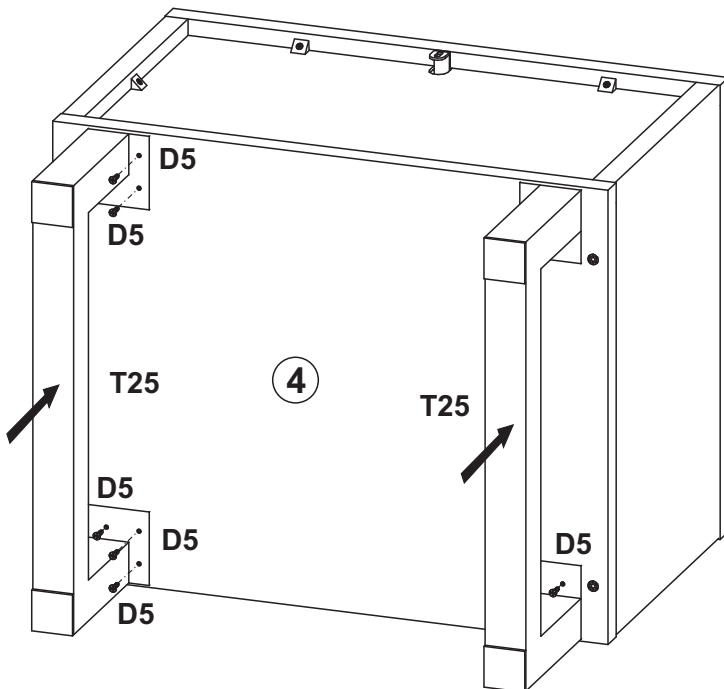


D0
3x15
x7

M1
x7

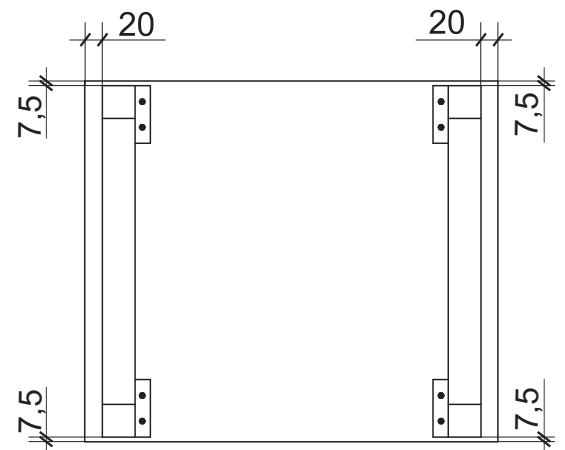


7

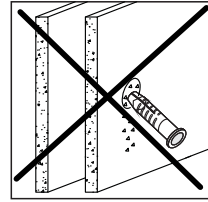
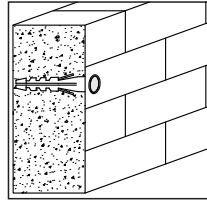


D5
3,5x16
x12

T25
x2

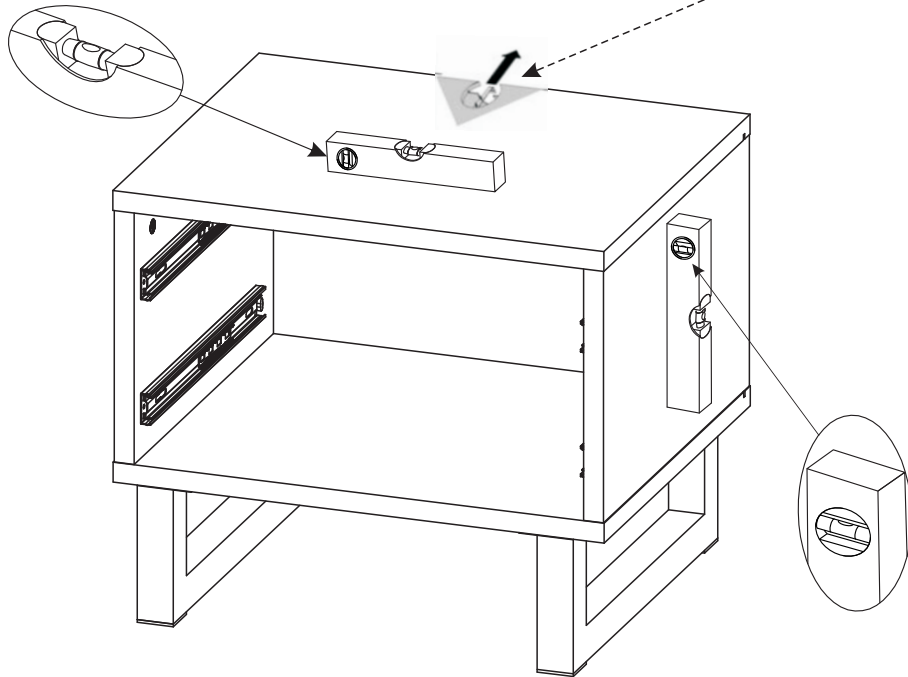


8



E0
8x50
x1

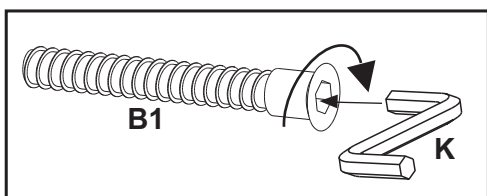
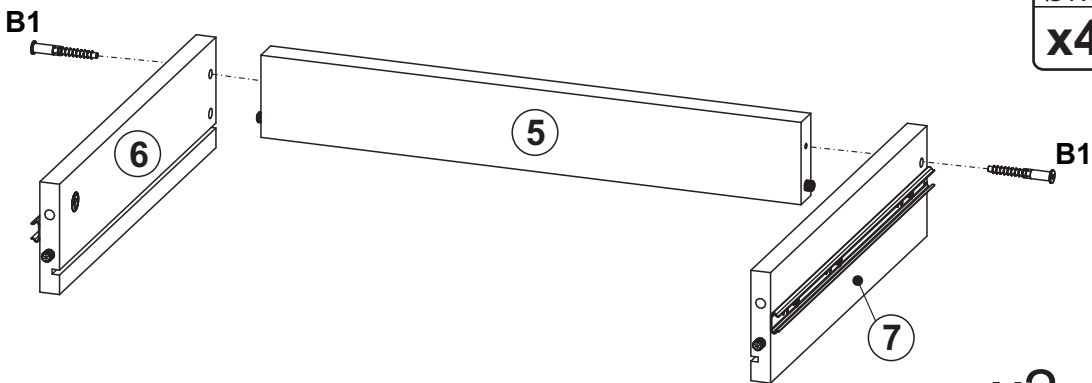
A 	B 	C 	D
--------------	--------------	--------------	--------------



9

B1
Ø7x50
x4

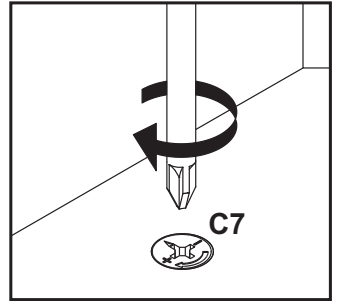
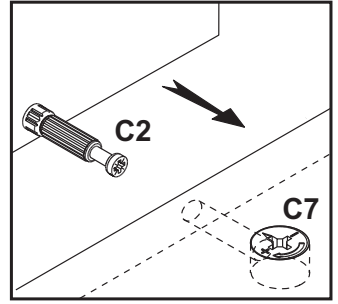
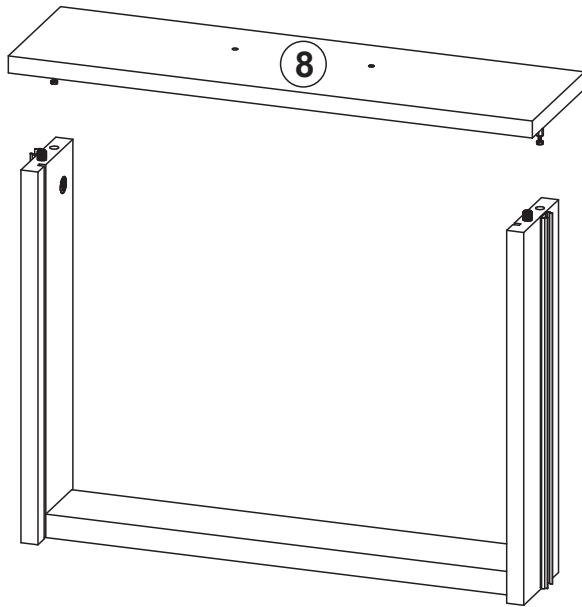
K
4mm
x1



x2

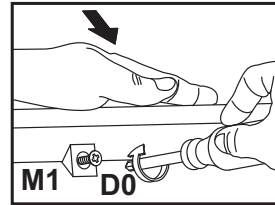
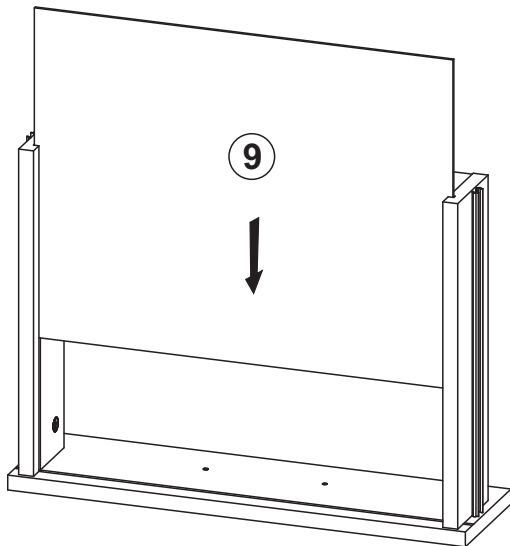
X 	✓
B1	B1

10

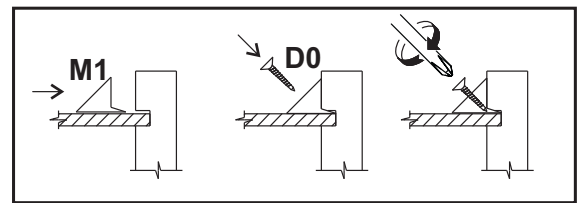


x2

11

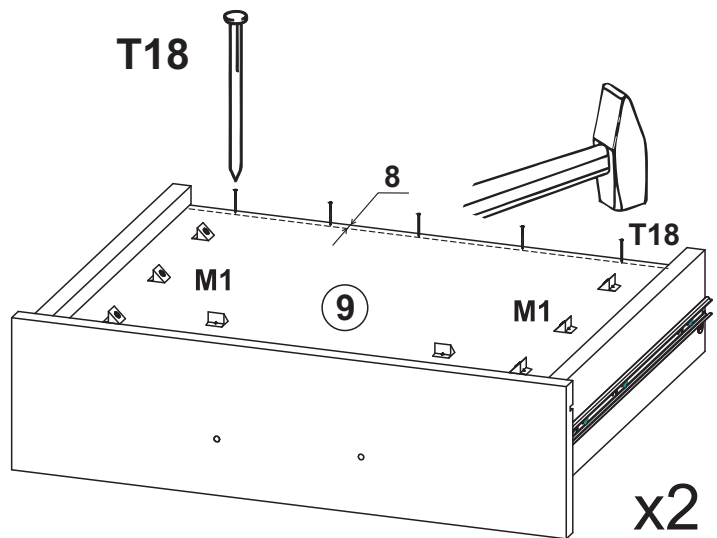
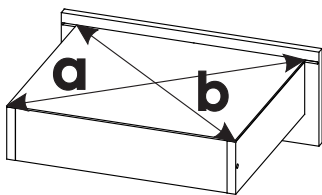


D0	M1	T18
3x15		
x16	x16	x10



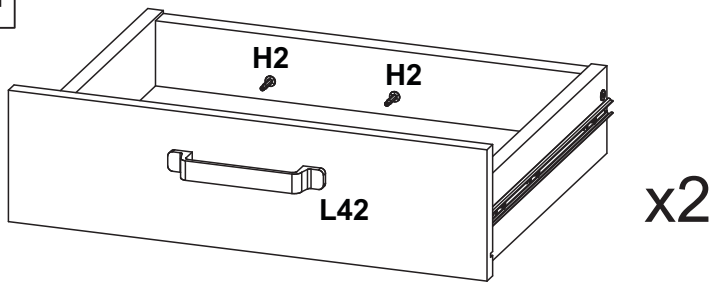
x2



$a=b$



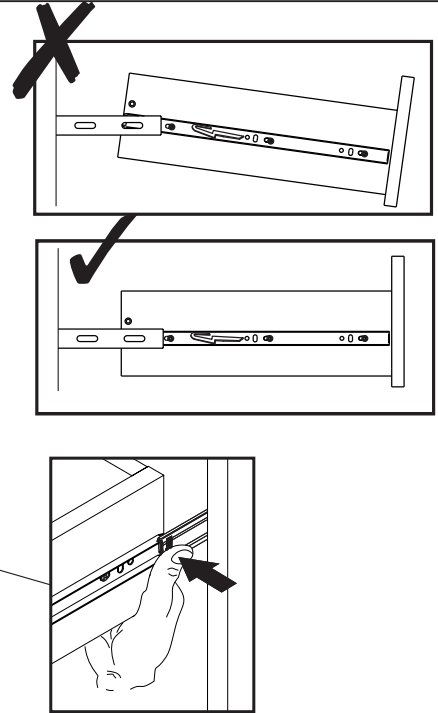
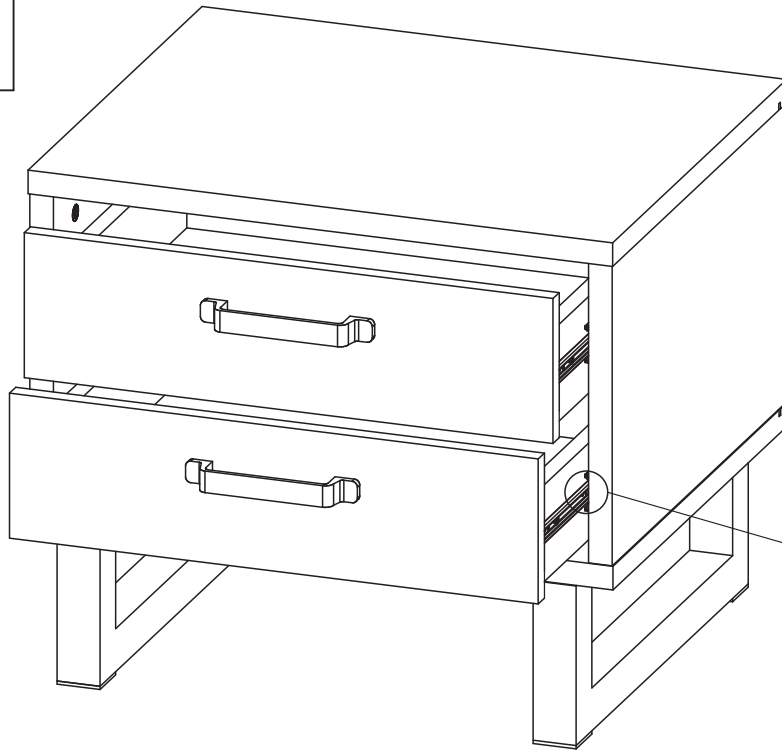
x2

12

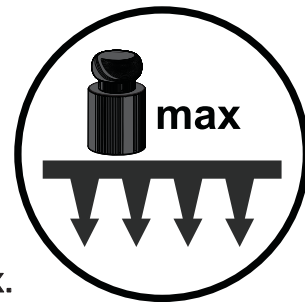
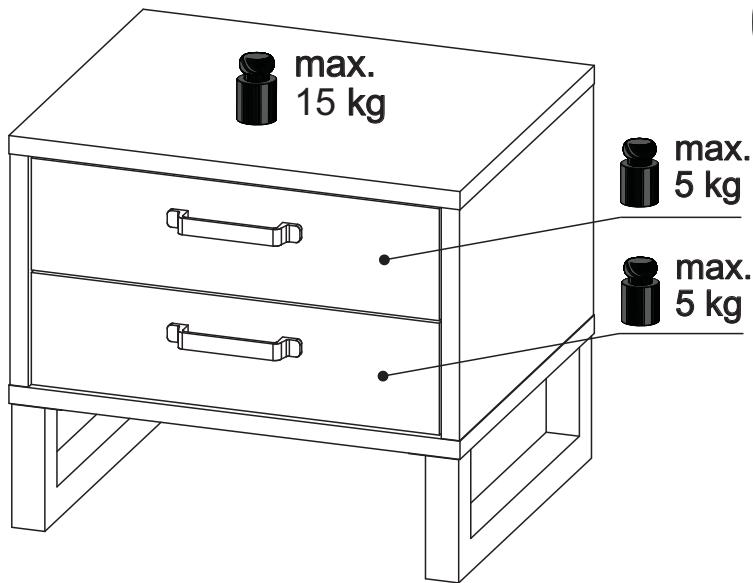



H2	L42
	
4x22	
x4	x2

13



14



C0

x4

