









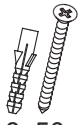

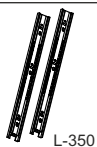
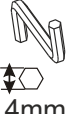
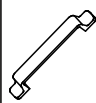
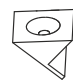


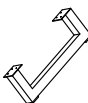
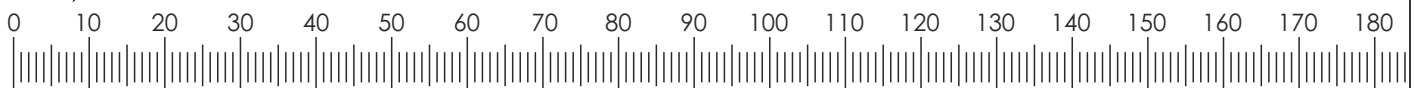
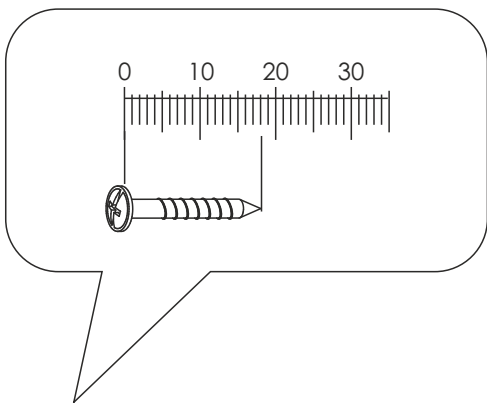
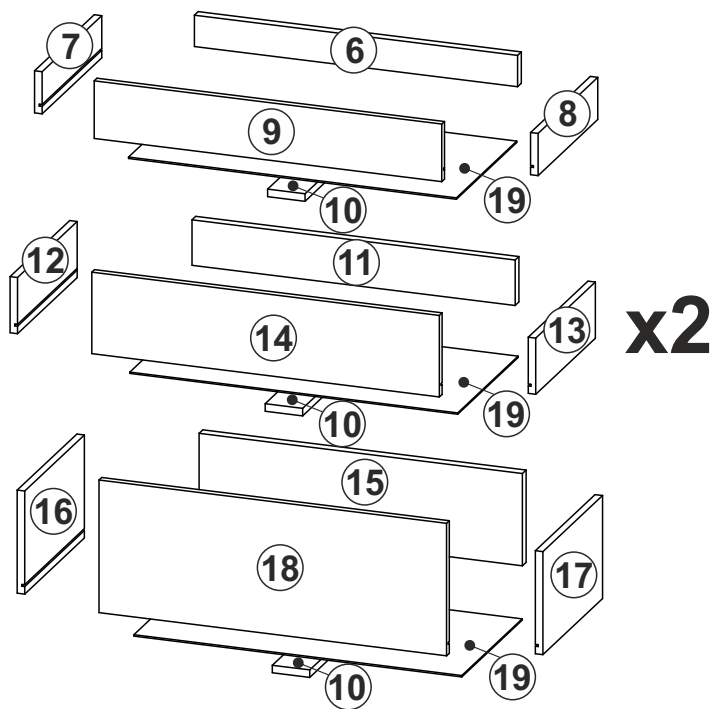
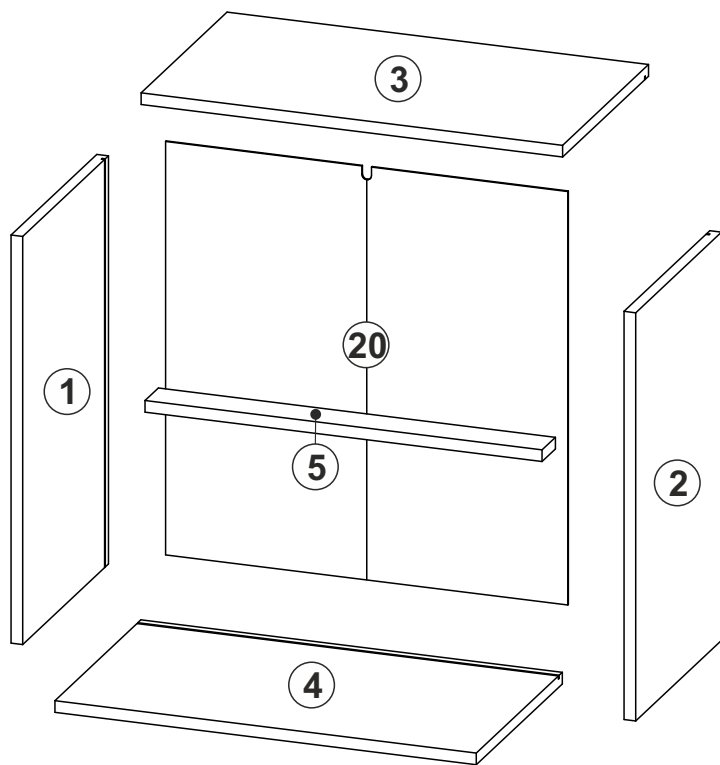



| | | | | | | | | | | |
|---|---|---|---|---|---|---|--|---|---|---|
| A0 | B2 | B1 | C0 | C2 | C7 | D0 | D5 | D13 | D21 | E0 |
|  |  |  |  |  |  |  |  |  |  |  |
| Ø8x30 | Ø7x70 | Ø7x50 | | | 16mm | 3x15 | 3,5x16 | 4x30 | 5x13 | 8x50 |
| x32 | x4 | x10 | x14 | x24 | x24 | x48 | x12 | x8 | x57 | x1 |

| | | | | | | | |
|---|---|---|---|---|---|---|--|
| H2 | N7 | K | L42 | M1 | T18 | P0 | T25 |
|  |  |  |  |  |  |  |  |
| 4x22 | L-350 | 4mm | | | | | |
| x8 | x4 | x1 | x4 | x48 | x24 | x1 | x2 |

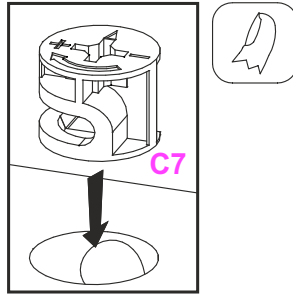
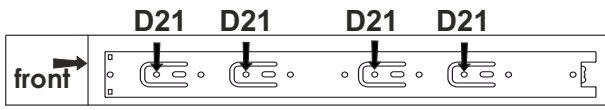



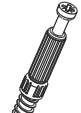





| | | | | | |
|---|-----|-----|-----|----|-----|
| ① | 769 | 444 | 22 | x1 | 1/3 |
| ② | 769 | 444 | 22 | x1 | 1/3 |
| ③ | 794 | 445 | 22 | x1 | 2/3 |
| ④ | 794 | 445 | 22 | x1 | 2/3 |
| ⑤ | 748 | 69 | 22 | x1 | 2/3 |
| ⑥ | 690 | 67 | 22 | x1 | 2/3 |
| ⑦ | 350 | 90 | 16 | x1 | 2/3 |
| ⑧ | 350 | 90 | 16 | x1 | 2/3 |
| ⑨ | 742 | 123 | 16 | x1 | 1/3 |
| ⑩ | 349 | 80 | 16 | x4 | 2/3 |
| ⑪ | 690 | 97 | 22 | x2 | 2/3 |
| ⑫ | 350 | 120 | 16 | x2 | 1/3 |
| ⑬ | 350 | 120 | 16 | x2 | 1/3 |
| ⑭ | 742 | 174 | 16 | x2 | 1/3 |
| ⑮ | 690 | 197 | 22 | x1 | 2/3 |
| ⑯ | 350 | 220 | 16 | x1 | 1/3 |
| ⑰ | 350 | 220 | 16 | x1 | 1/3 |
| ⑱ | 742 | 283 | 16 | x1 | 1/3 |
| ⑲ | 700 | 354 | 2,8 | x4 | 2/3 |
| ⑳ | 779 | 758 | 2,8 | x1 | 2/3 |

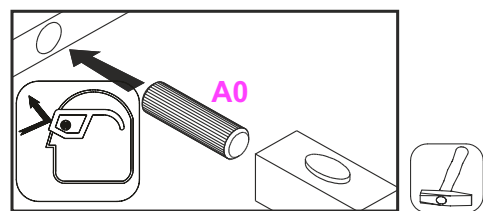
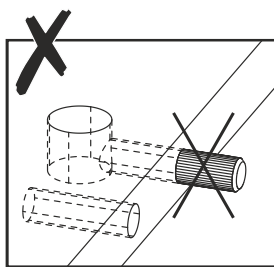
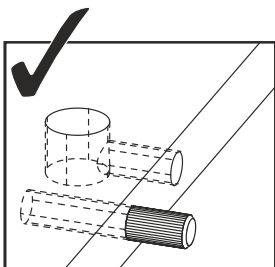
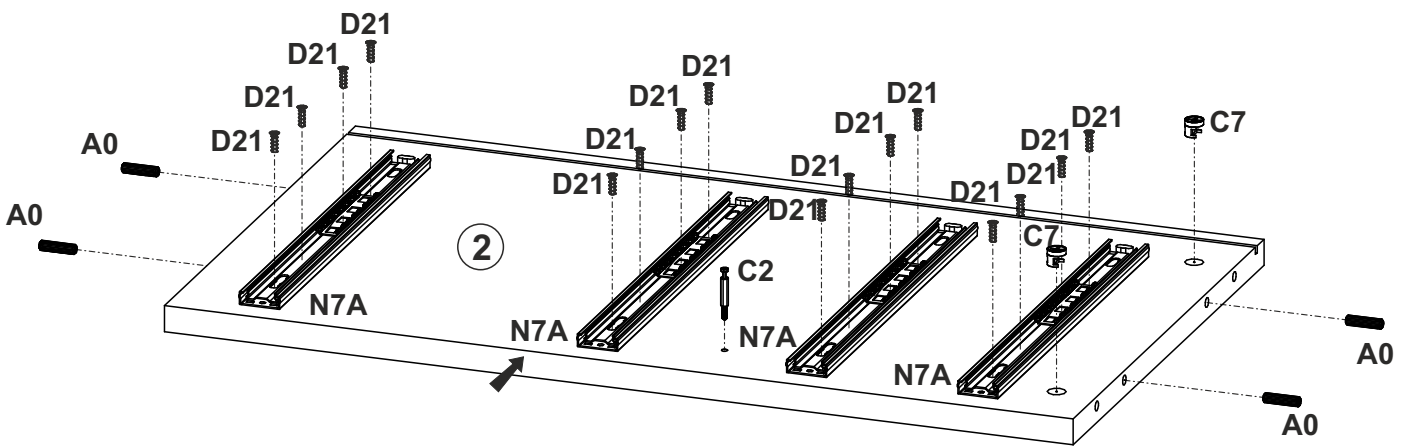
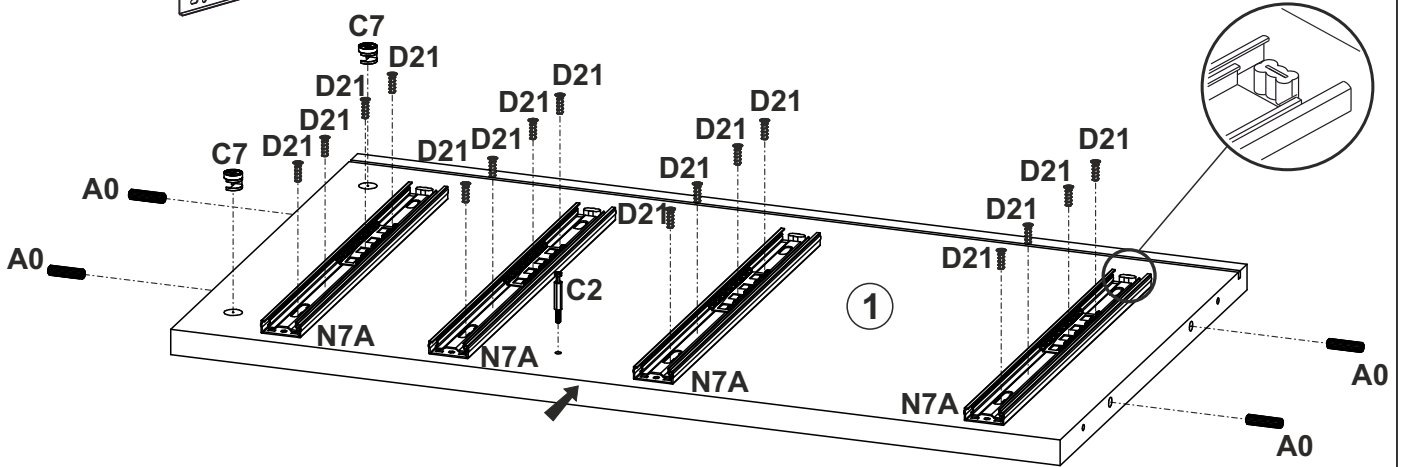
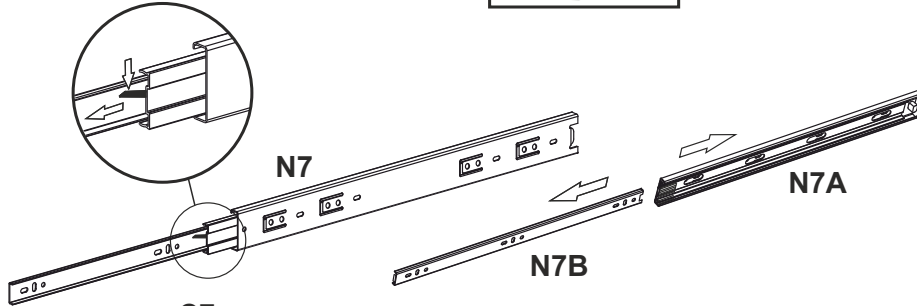
| | | | | | |
|--|--|--|--|--|-----|
|  | | | | | 3/3 |
|--|--|--|--|--|-----|

1

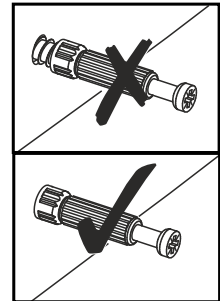
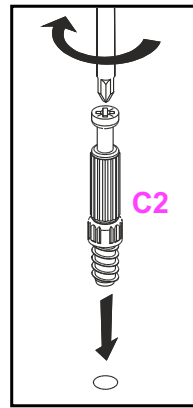
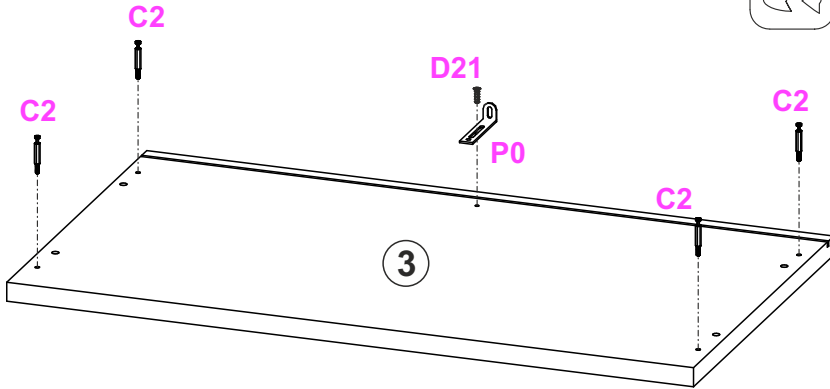
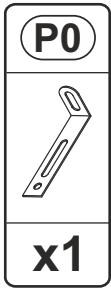
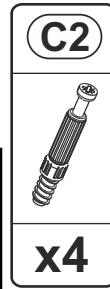
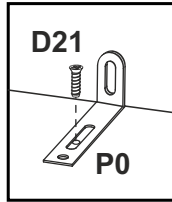
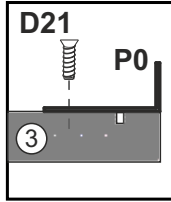


| | | |
|---|---|---|
| A0 | C2 | C7 |
|  |  |  |
| Ø8x30 | | 16mm |
| x8 | x2 | x4 |

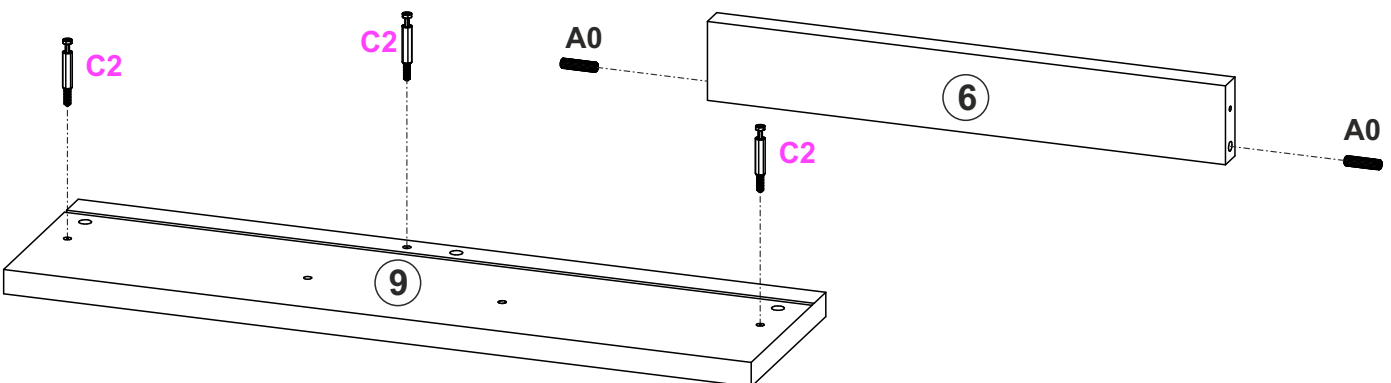
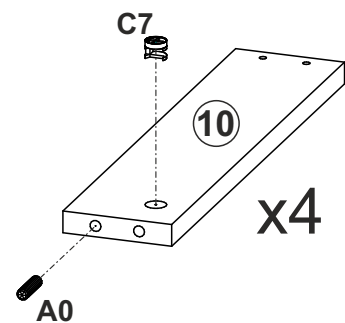
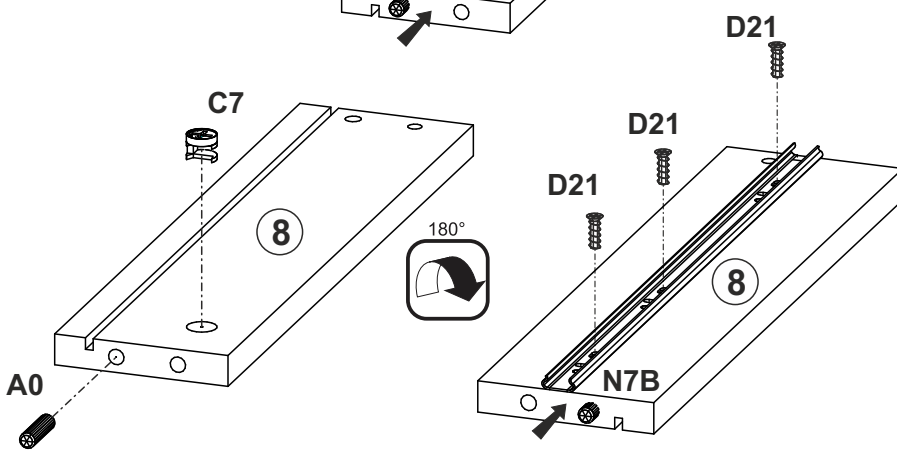
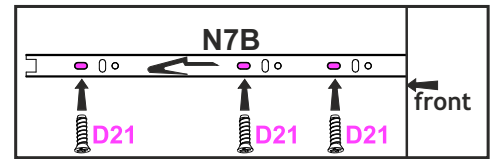
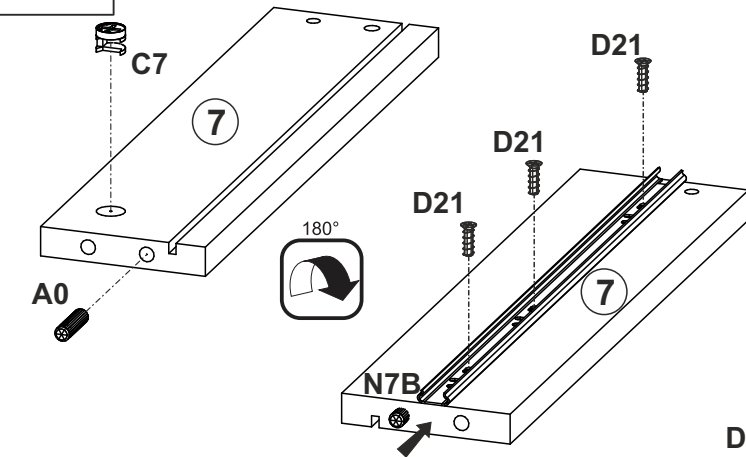
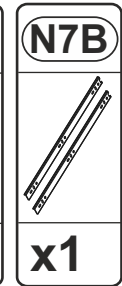
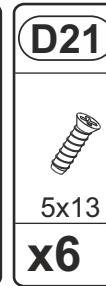
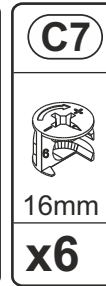
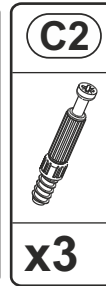
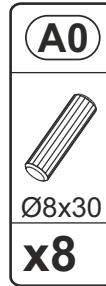
| | |
|---|---|
| D21 | N7 |
|  |  |
| 5x13 | L-350 |
| x32 | x4 |



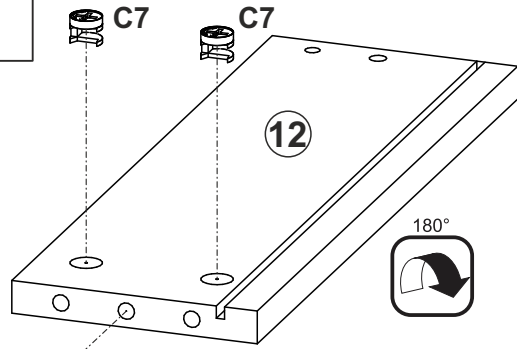
2



3

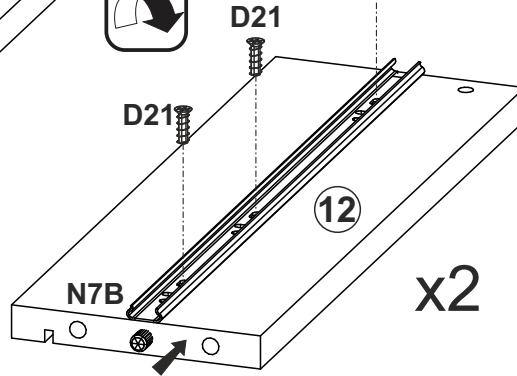


4



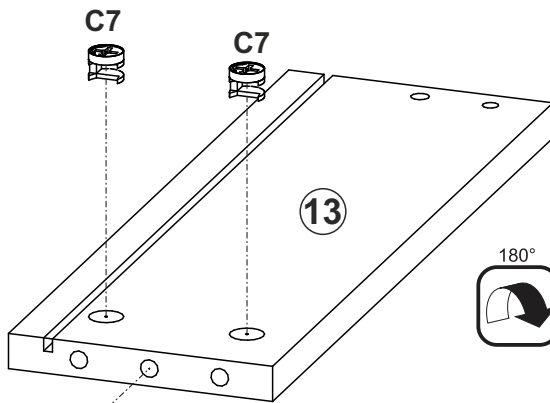
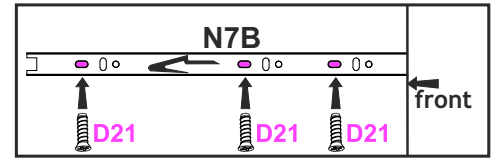
A0

12



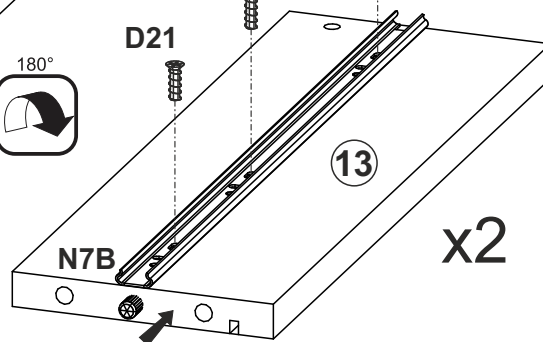
x2

| | | | | |
|-----------|------------|------------|------------|------------|
| A0 | C2 | C7 | D21 | N7B |
| | | | | |
| Ø8x30 | | 16mm | 5x13 | |
| x8 | x10 | x10 | x12 | x2 |



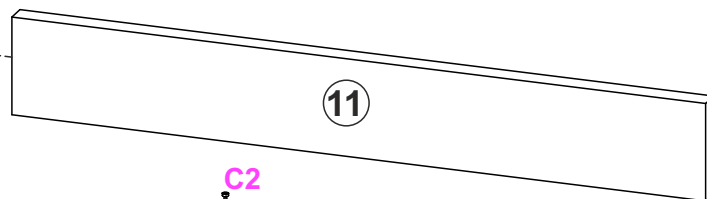
A0

13



x2

A0



11

A0

x2

C2

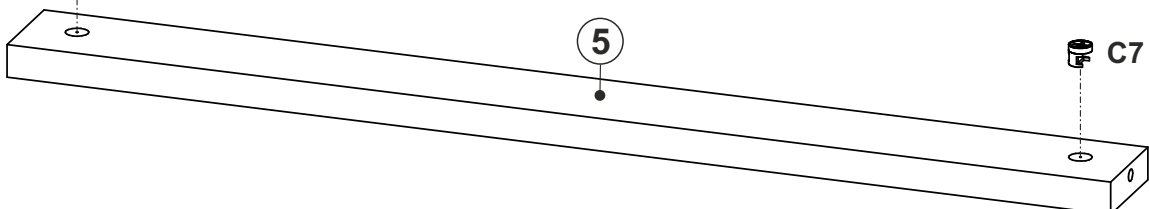
C2

14

C2

x2

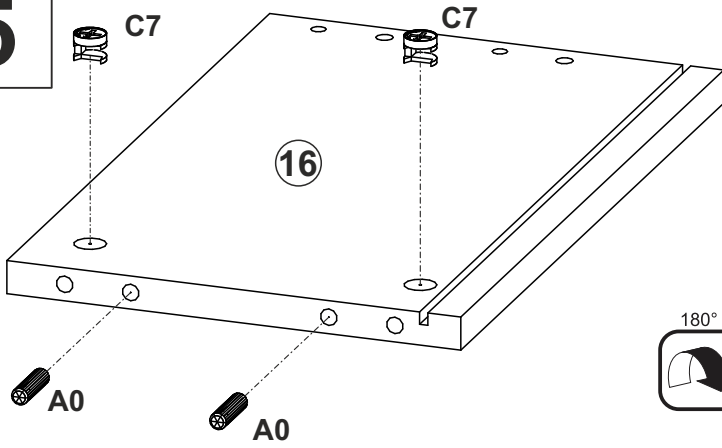
C7








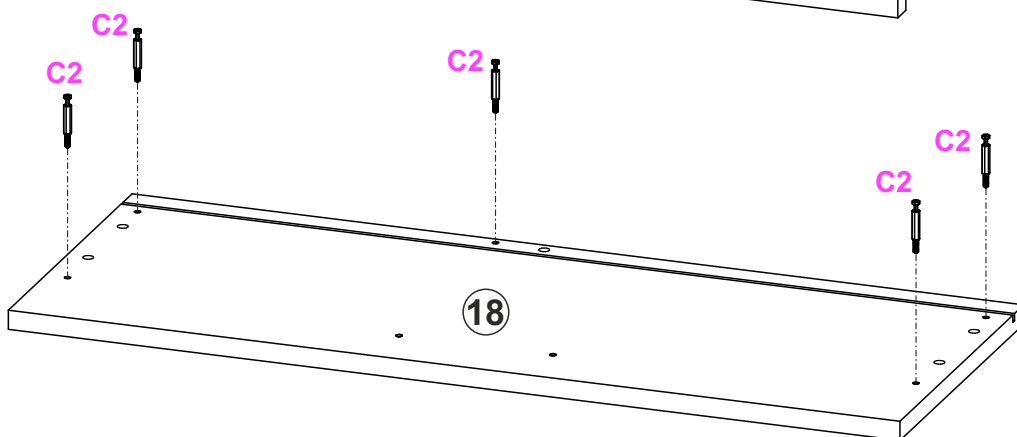
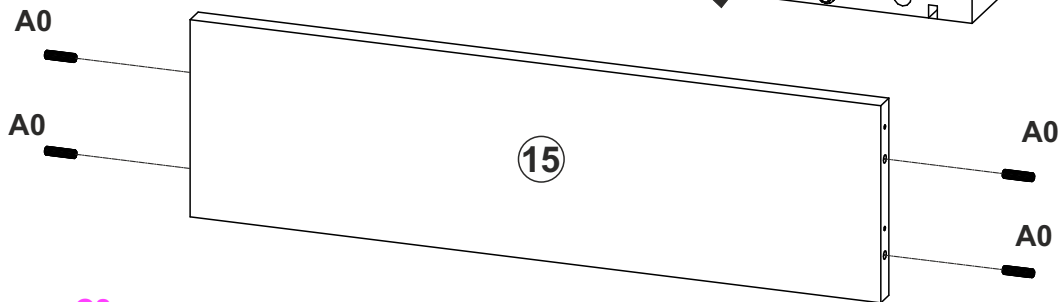
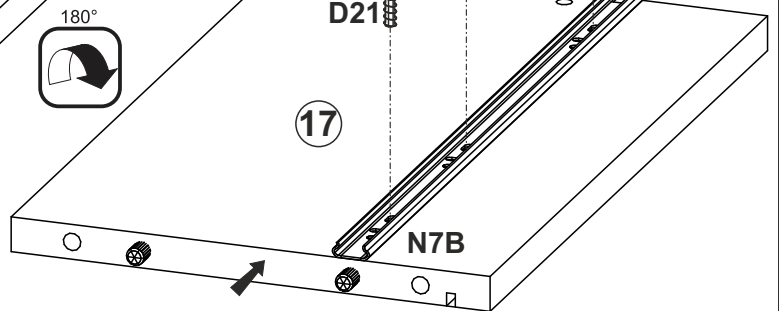
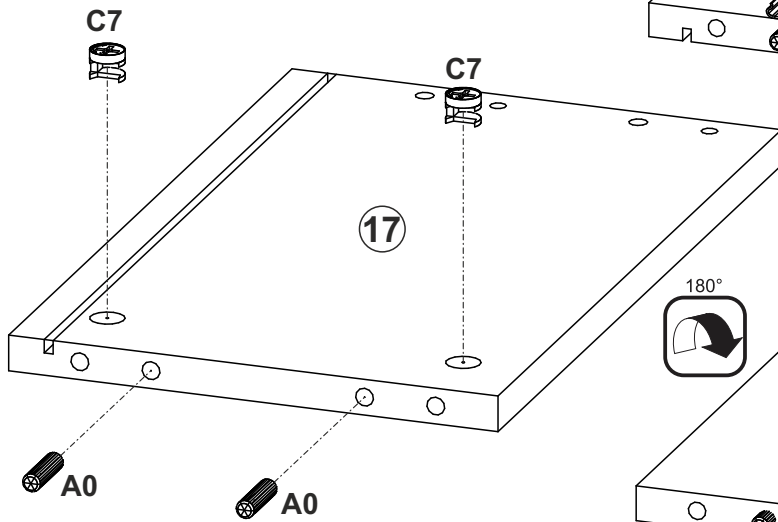
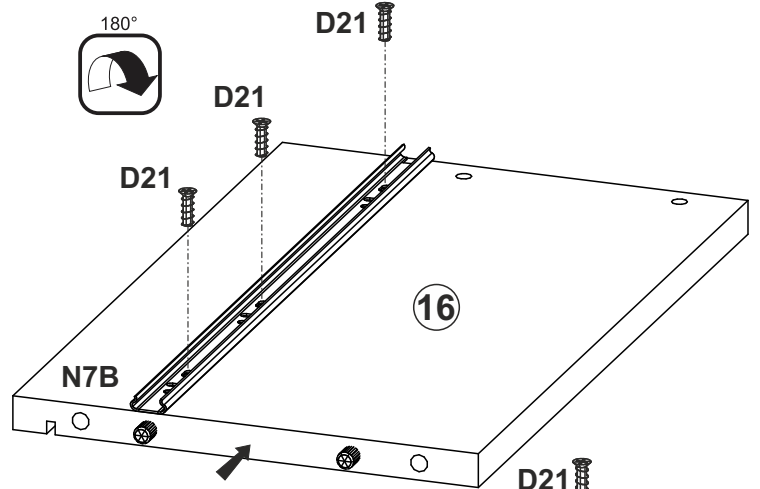
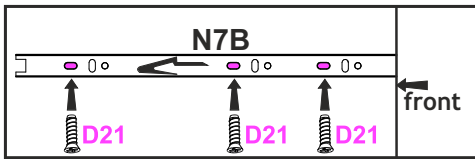
5

C7

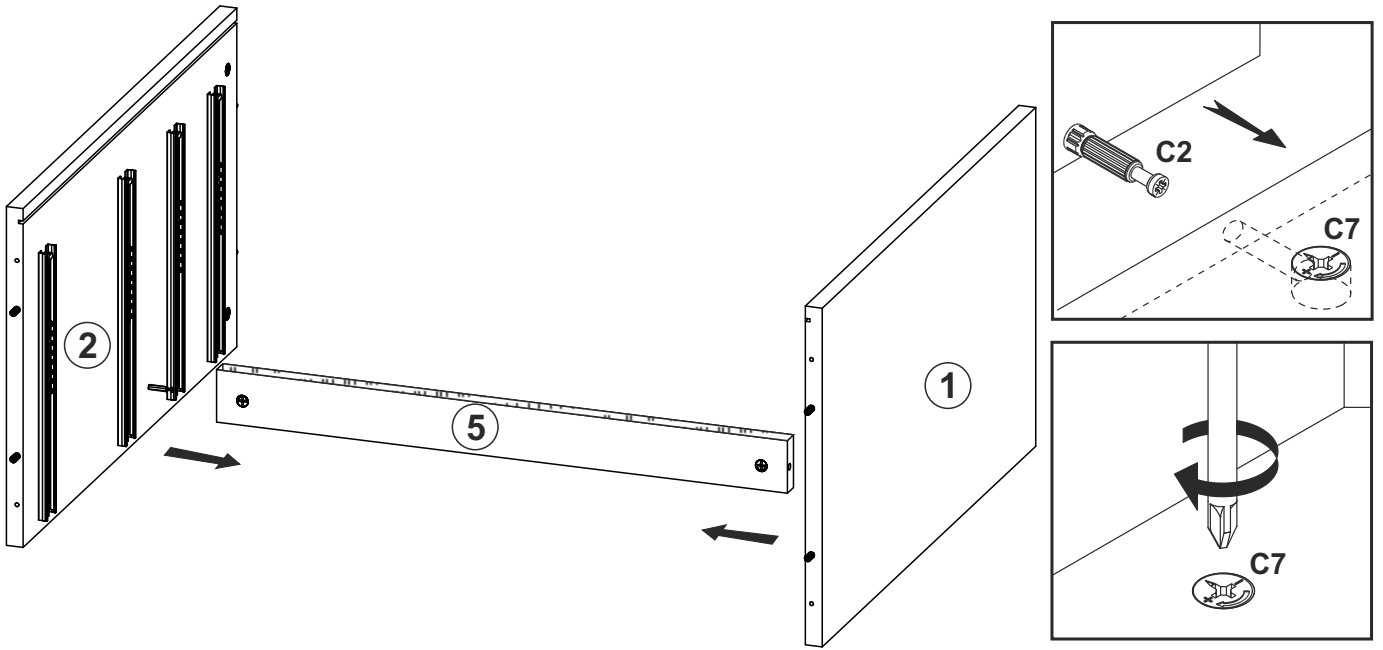
5



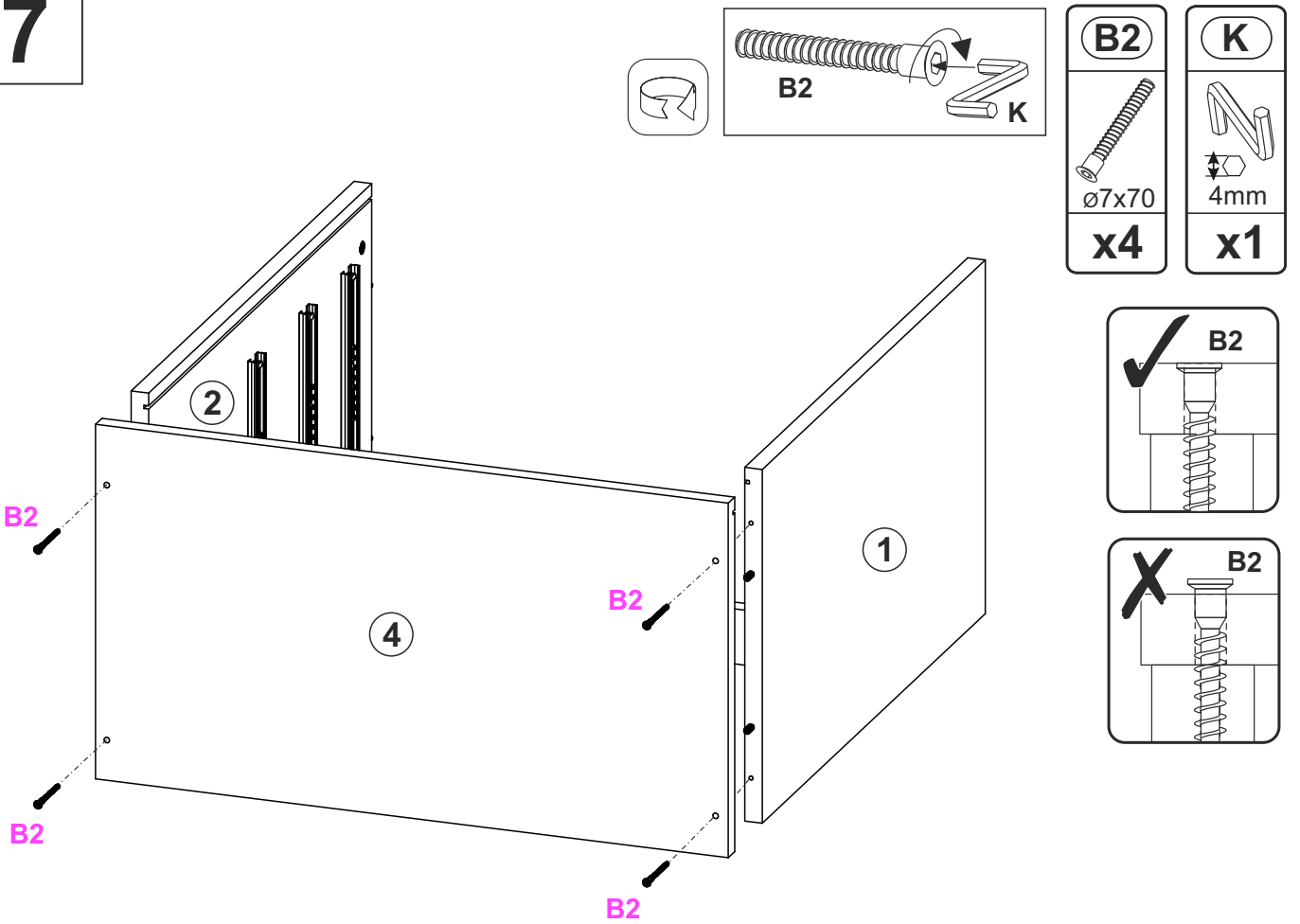
| | | | | |
|---|---|---|---|---|
| A0 | C2 | C7 | D21 | N7B |
|  |  |  |  |  |
| Ø8x30 | | 16mm | 5x13 | |
| x8 | x5 | x4 | x6 | x1 |



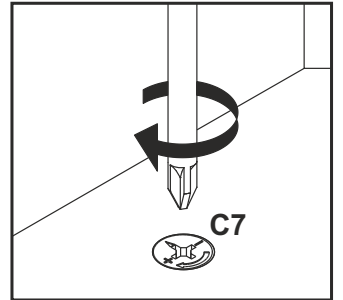
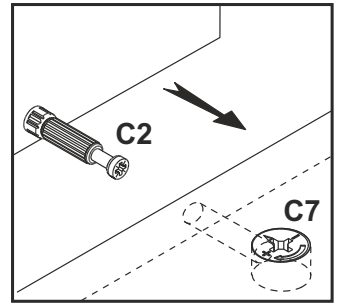
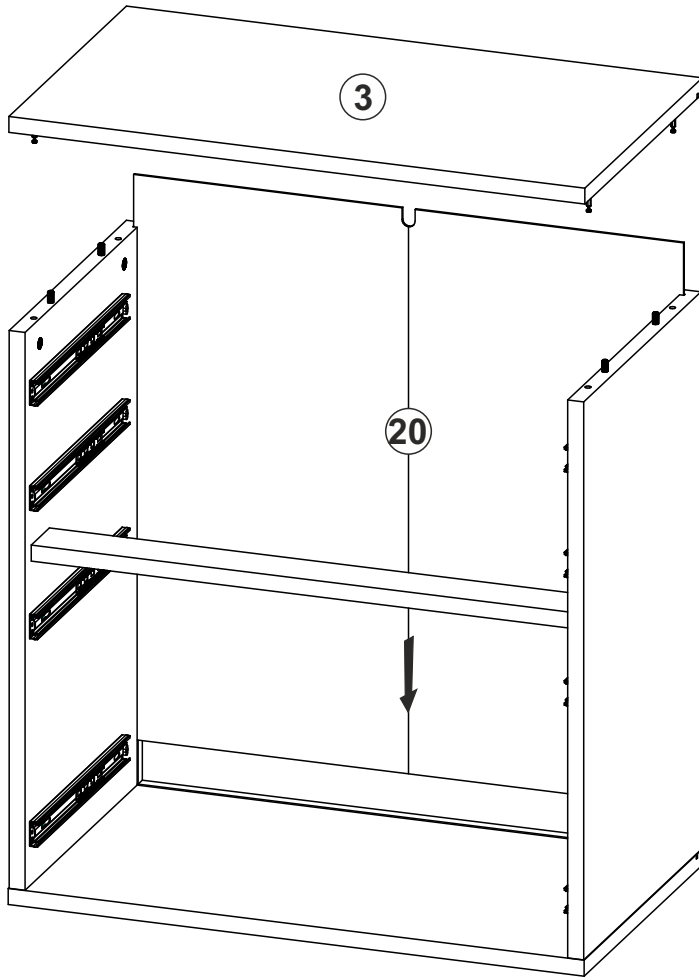
6



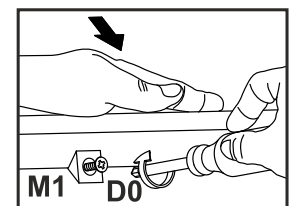
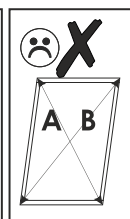
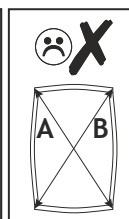
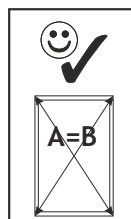
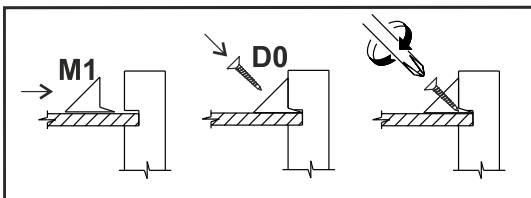
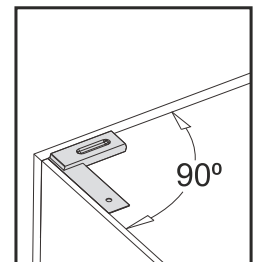
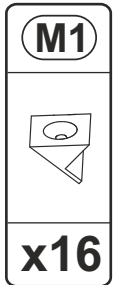
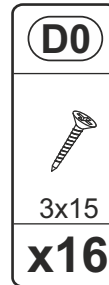
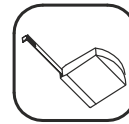
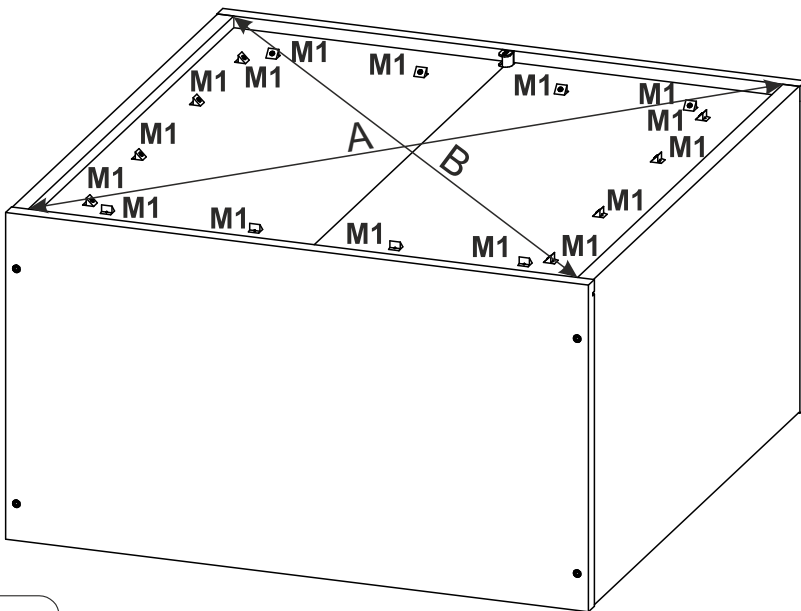
7



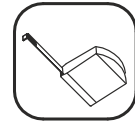
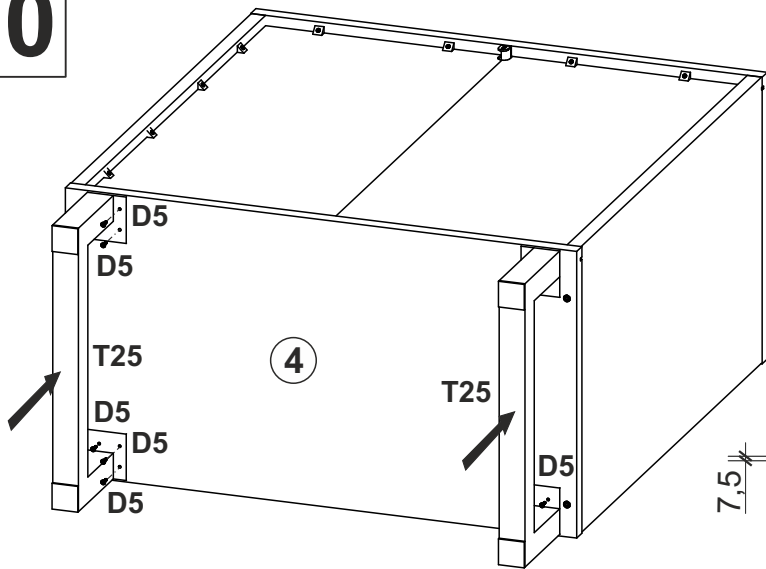
8



9

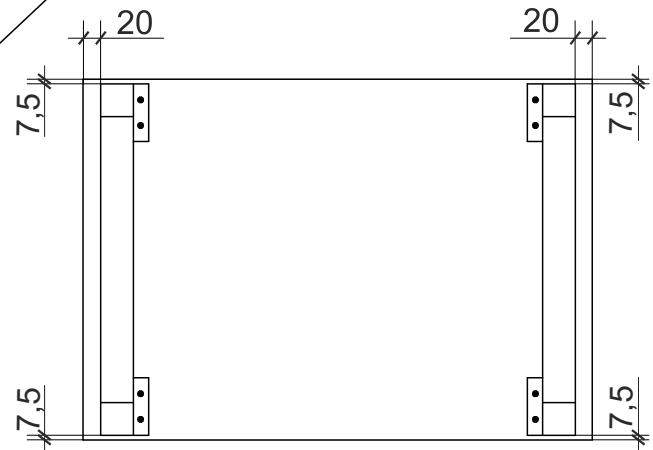


10

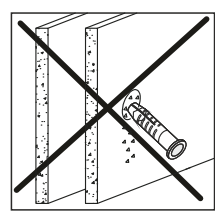
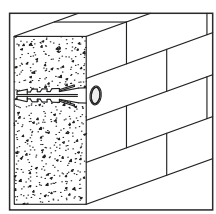


| |
|------------|
| D5 |
| |
| 3,5x16 |
| x12 |

| |
|------------|
| T25 |
| |
| x2 |

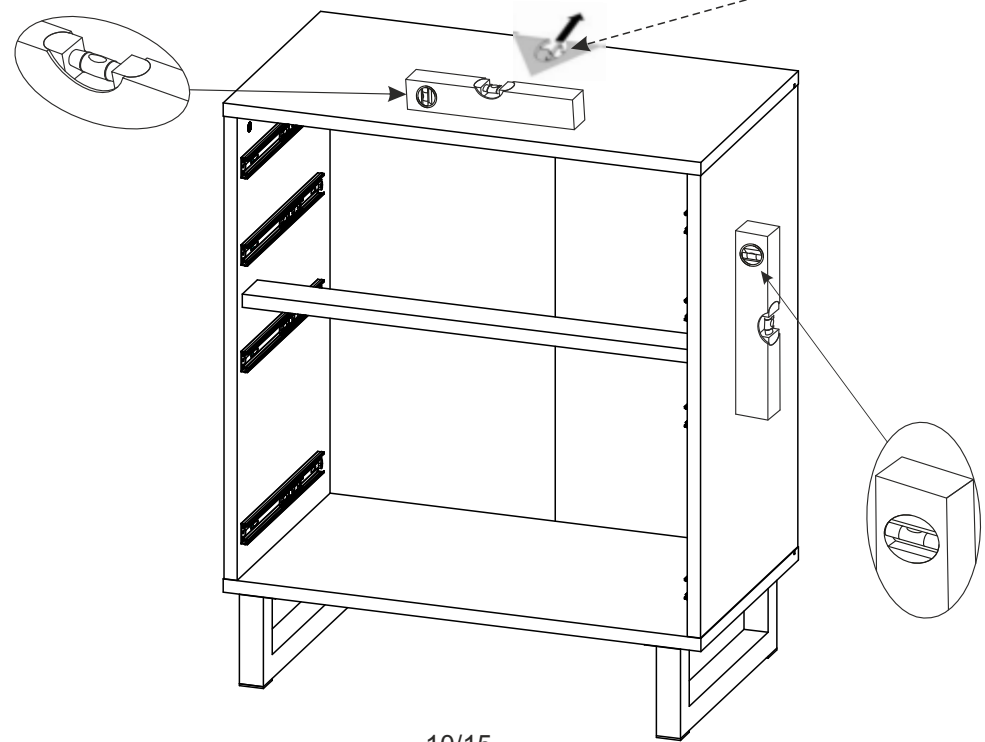


11



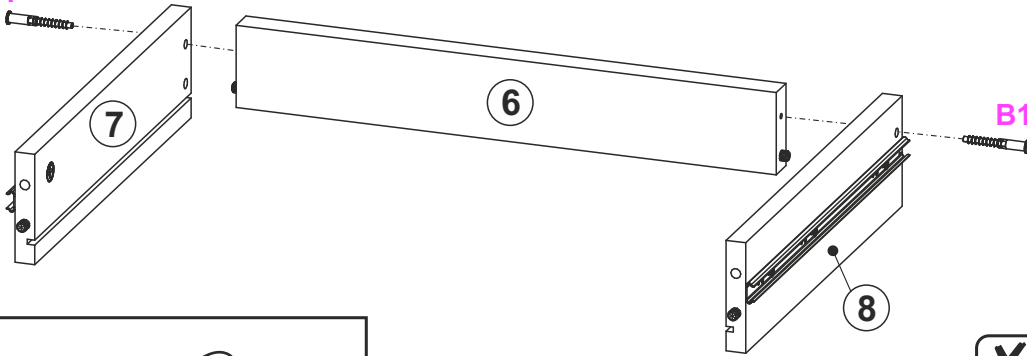
| |
|-----------|
| E0 |
| |
| 8x50 |
| x1 |



| | | | |
|--------------|--------------|--------------|--------------|
| A | B | C | D |
|--------------|--------------|--------------|--------------|

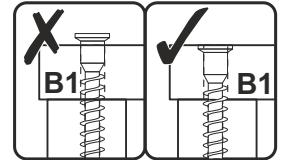
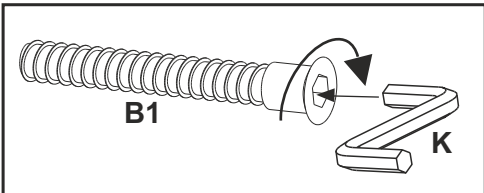


12

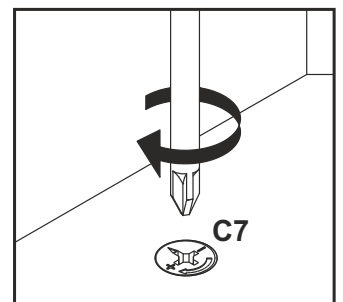
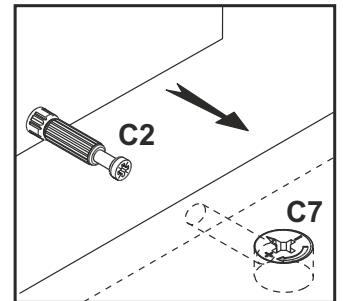
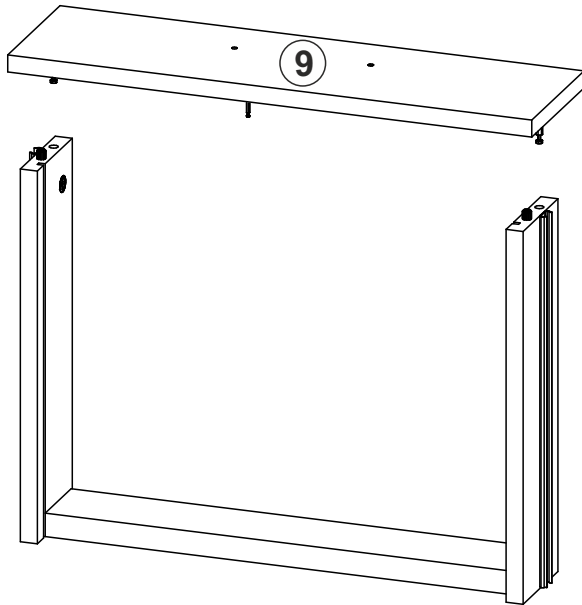
B1



| | |
|---|---|
| B1 | K |
|  |  |
| Ø7x50 | 4mm |
| x2 | x1 |

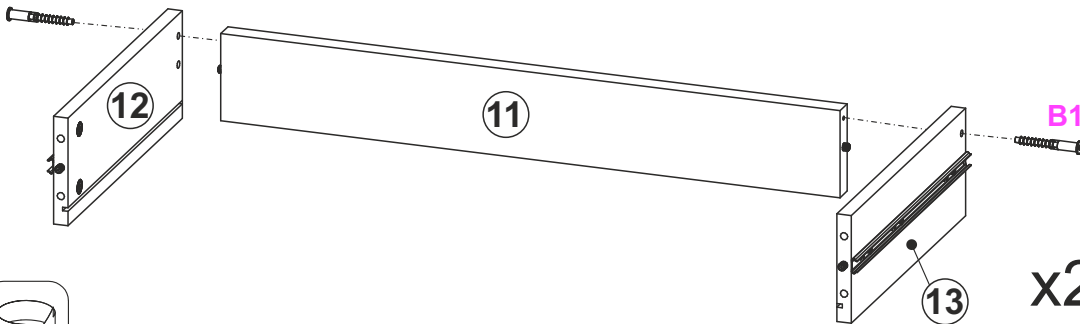




13



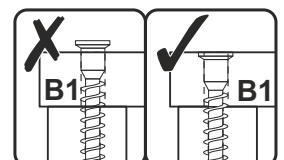
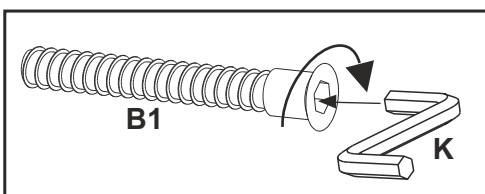
14

B1

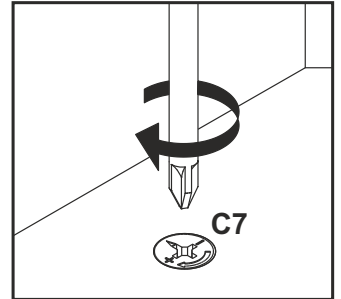
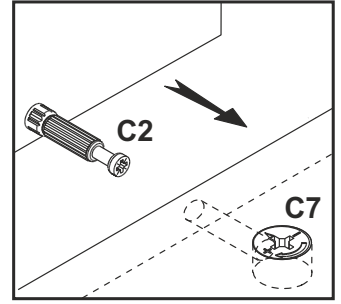
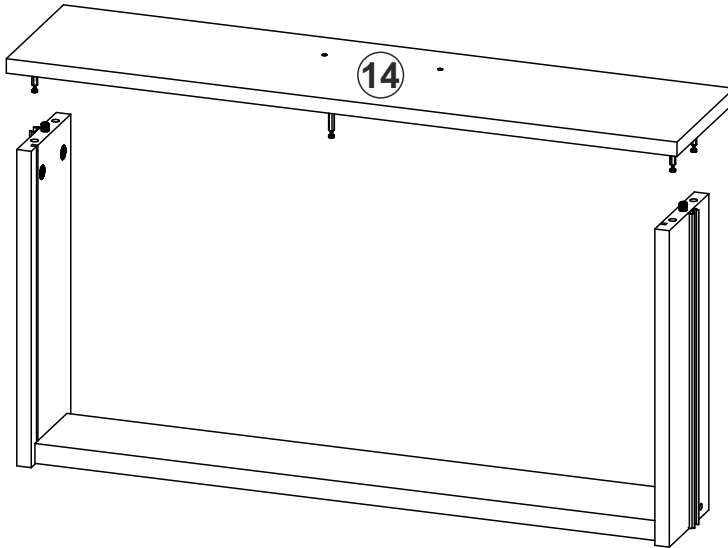


| | |
|---|---|
| B1 | K |
|  |  |
| Ø7x50 | 4mm |
| x4 | x1 |

x2

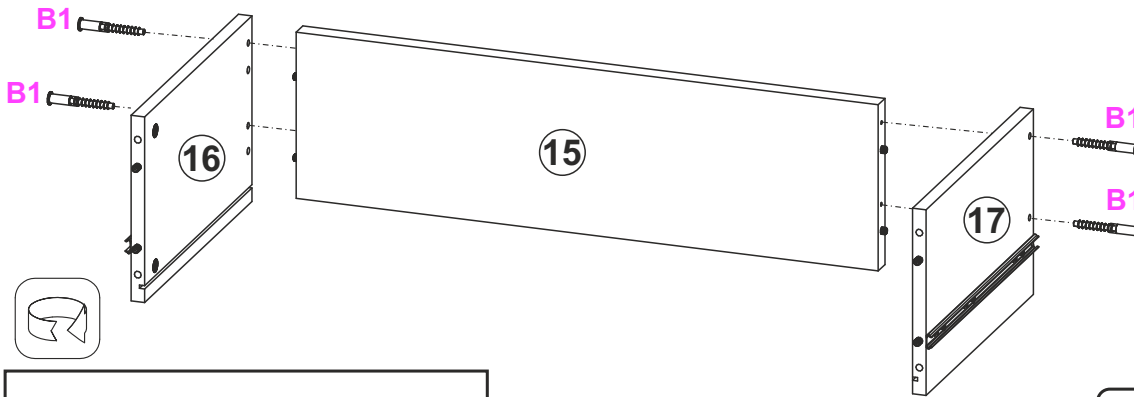



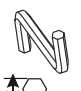
15

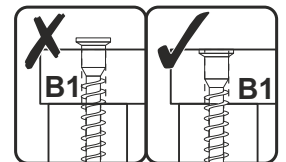
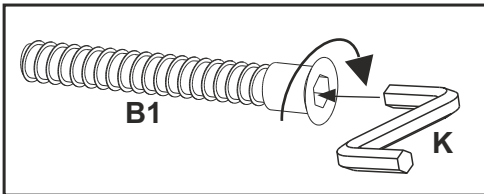


x2

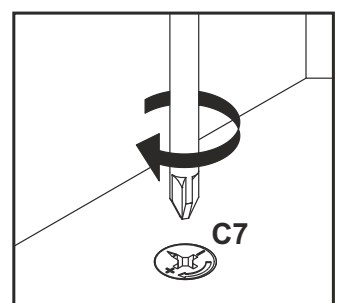
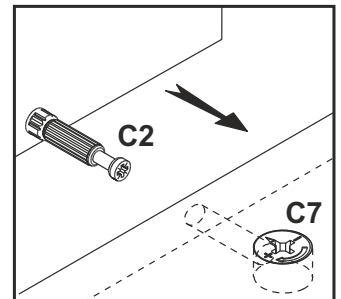
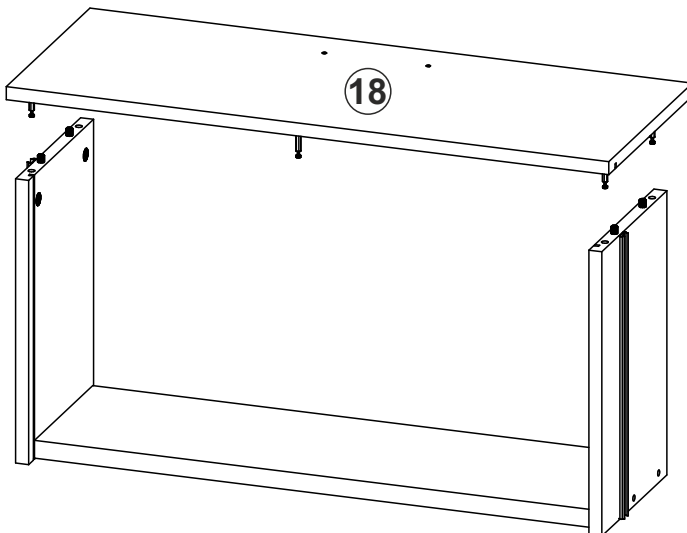
16



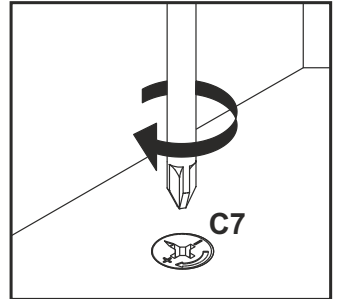
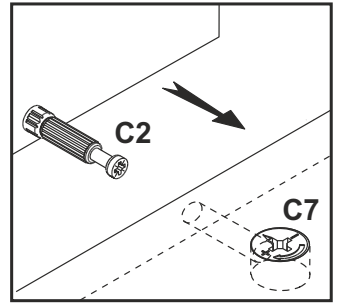
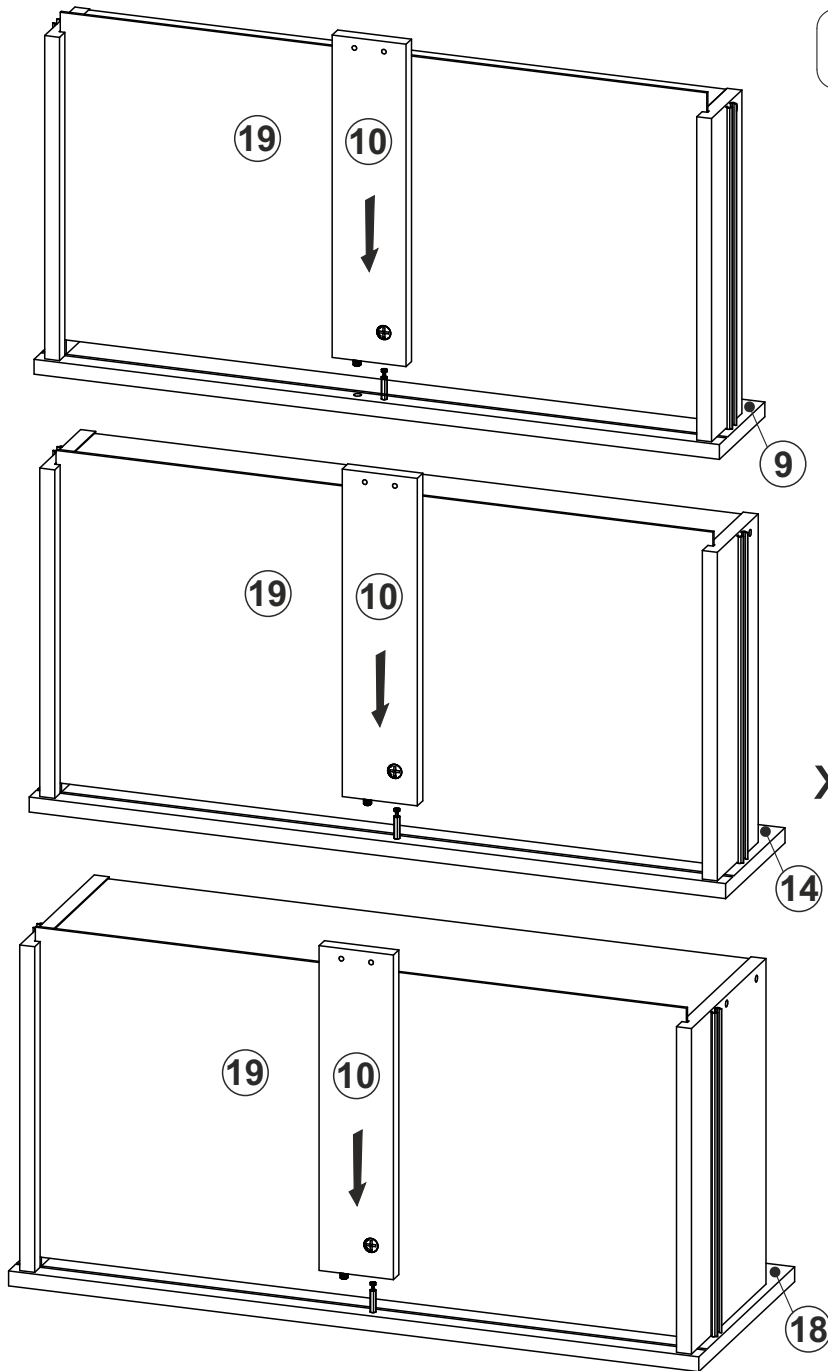
| | |
|---|---|
| B1 | K |
|  |  |
| Ø7x50 | 4mm |
| x4 | x1 |



17

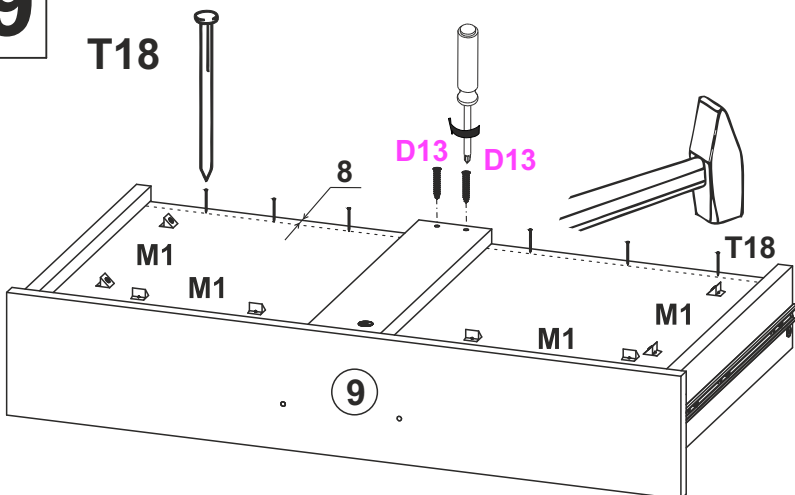


18



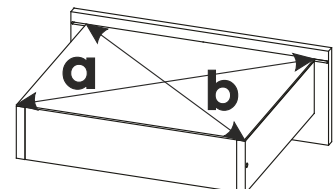
x2

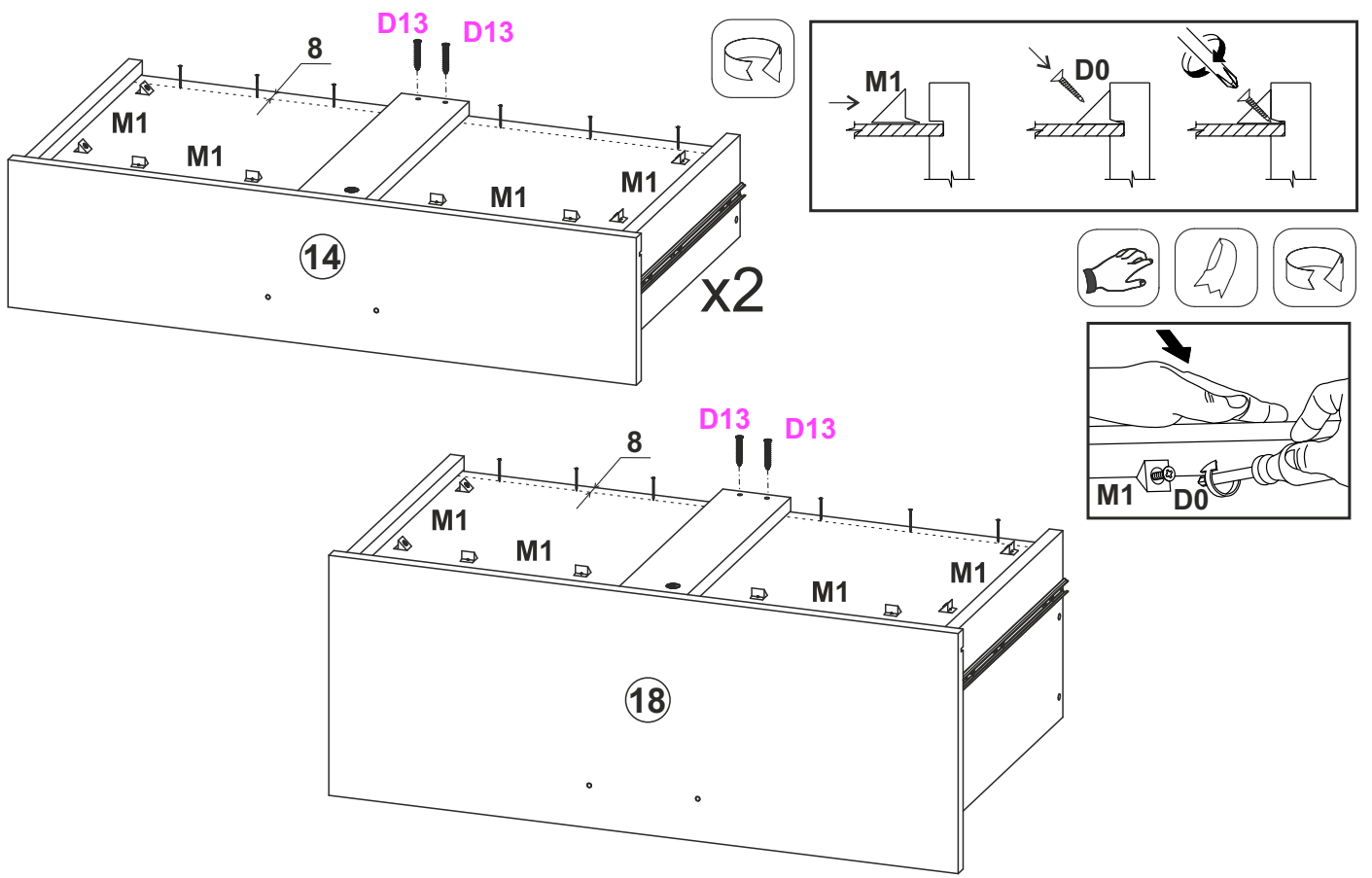
19



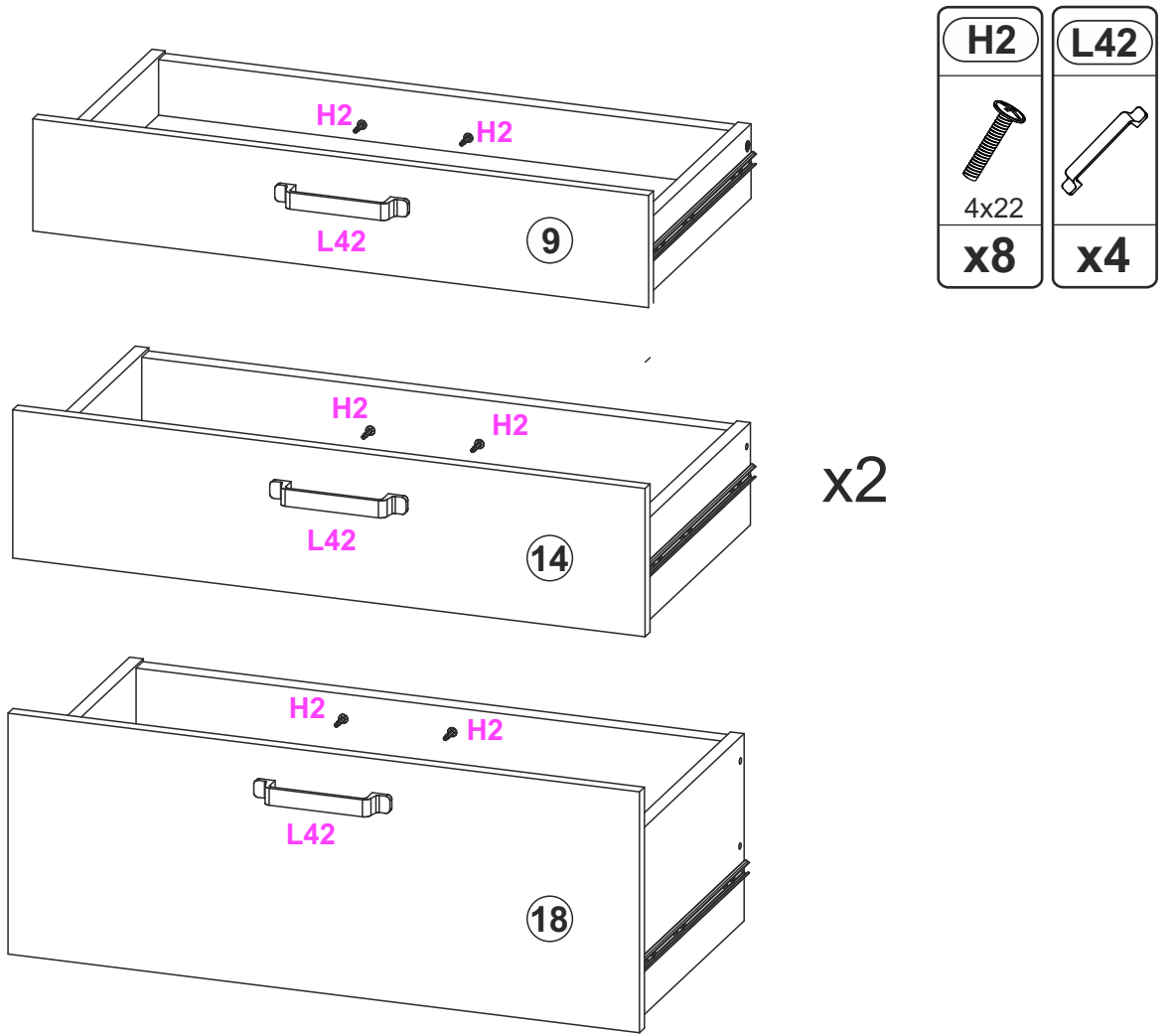
| D0 | D13 | M1 | T18 |
|------|------|-----|-----|
| | | | |
| 3x15 | 4x30 | | |
| x32 | x8 | x32 | x24 |

a=b

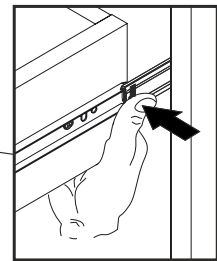
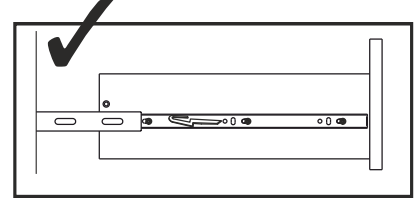
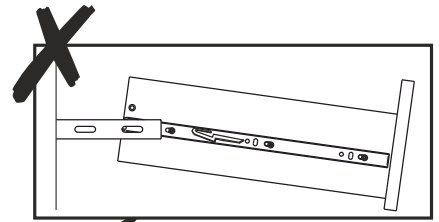
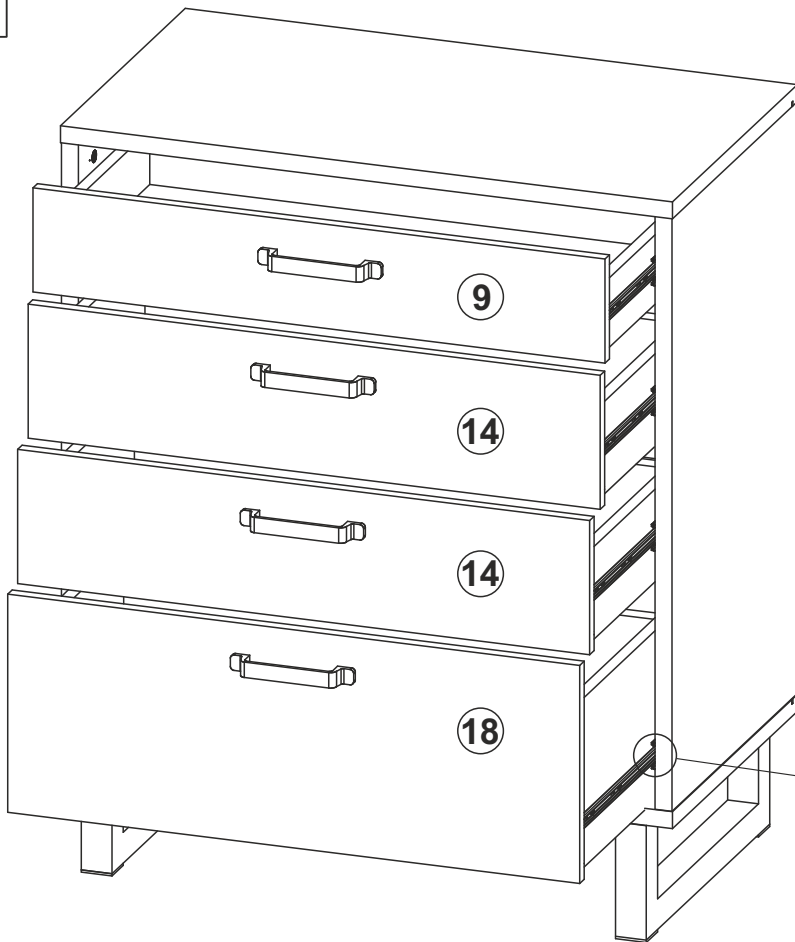




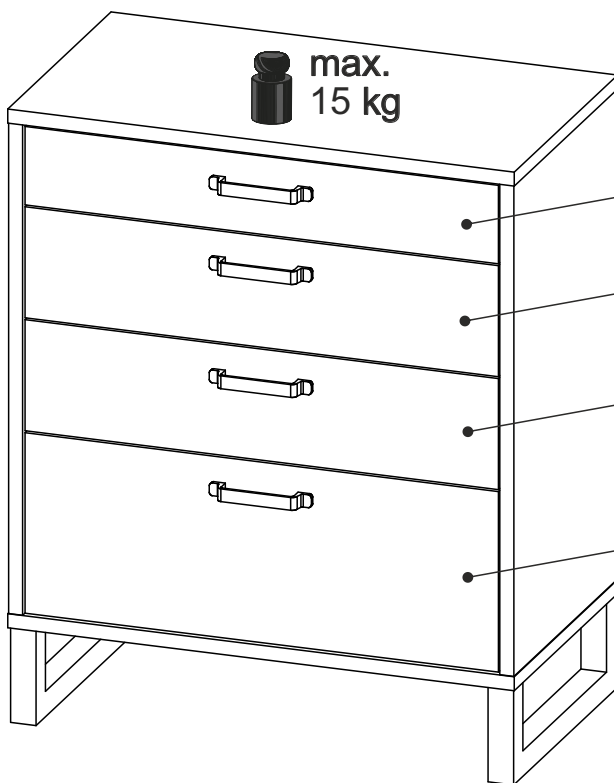
20



21



22



max.
5 kg

max.
5 kg

max.
5 kg

max.
5 kg



C0



x14

