

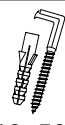



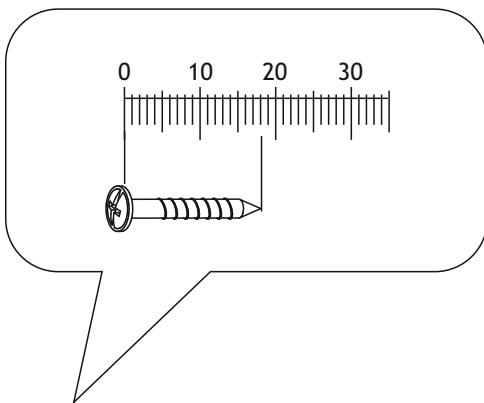

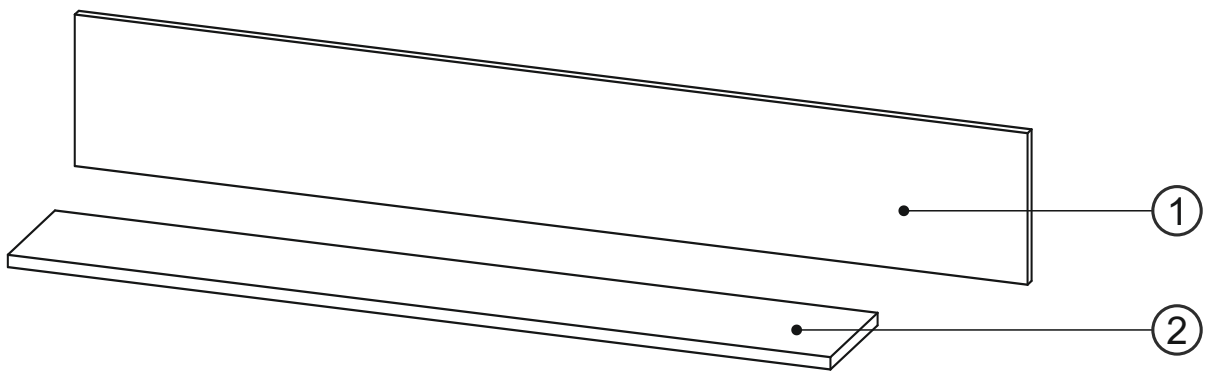





B2	D22	E3	K	P1	U0
					
∅7x70	5x11	10x50	4mm		
x8	x4	x2	x1	x2	x3

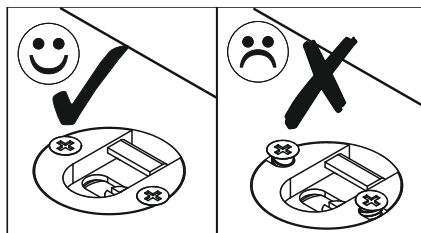
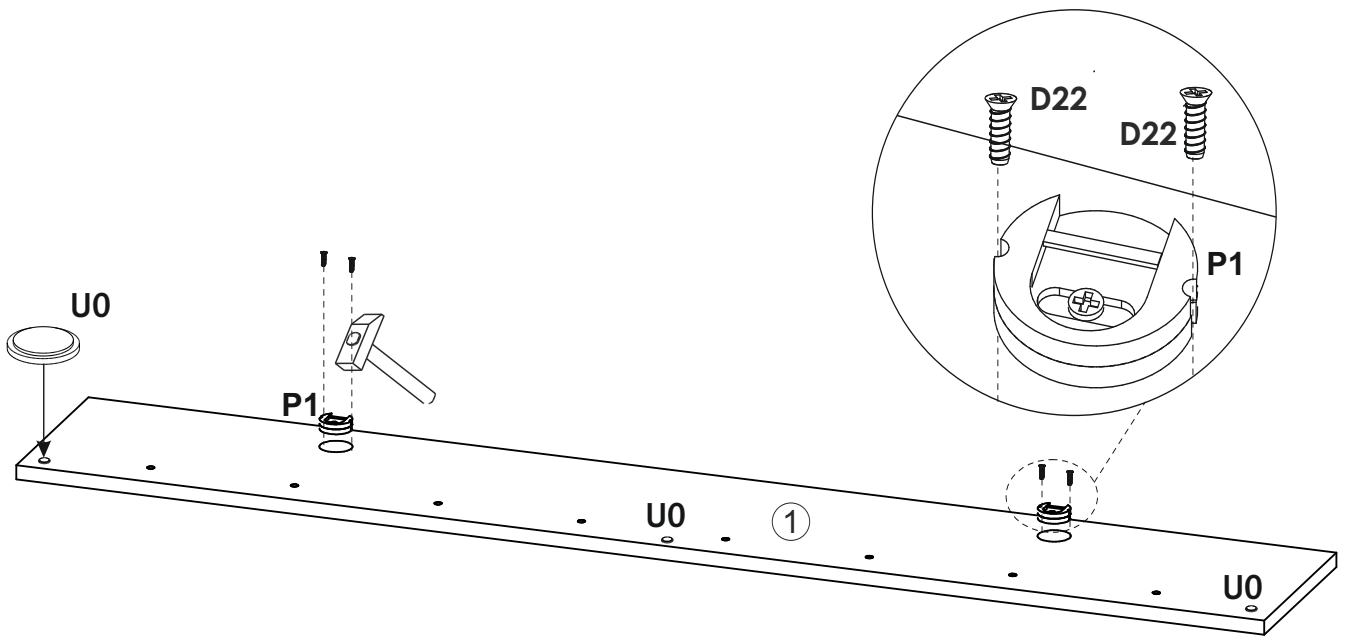


①	1400	280	16	x1	1/1
②	1300	200	22	x1	1/1
					1/1

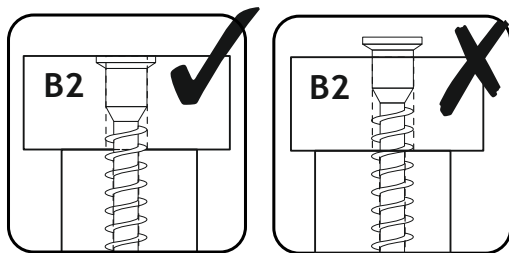
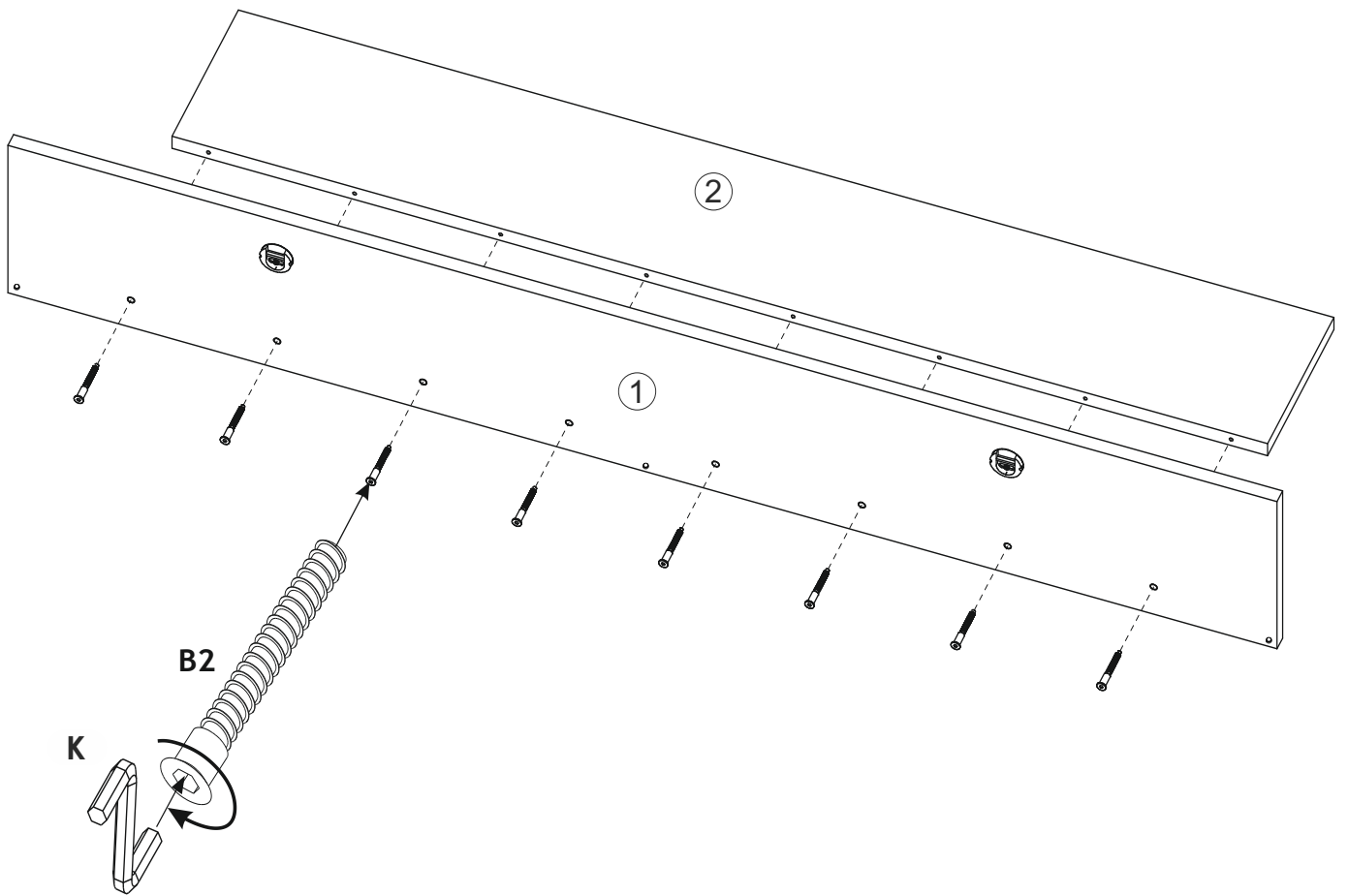


1

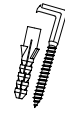
D22	P1	U0
		
5x11		
x4	x2	x3

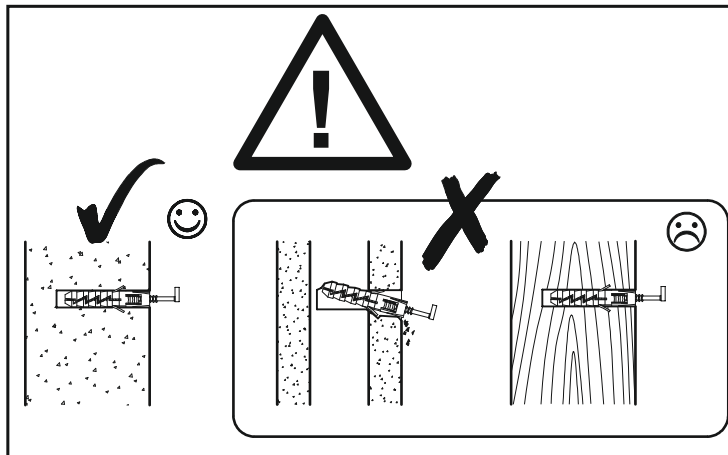
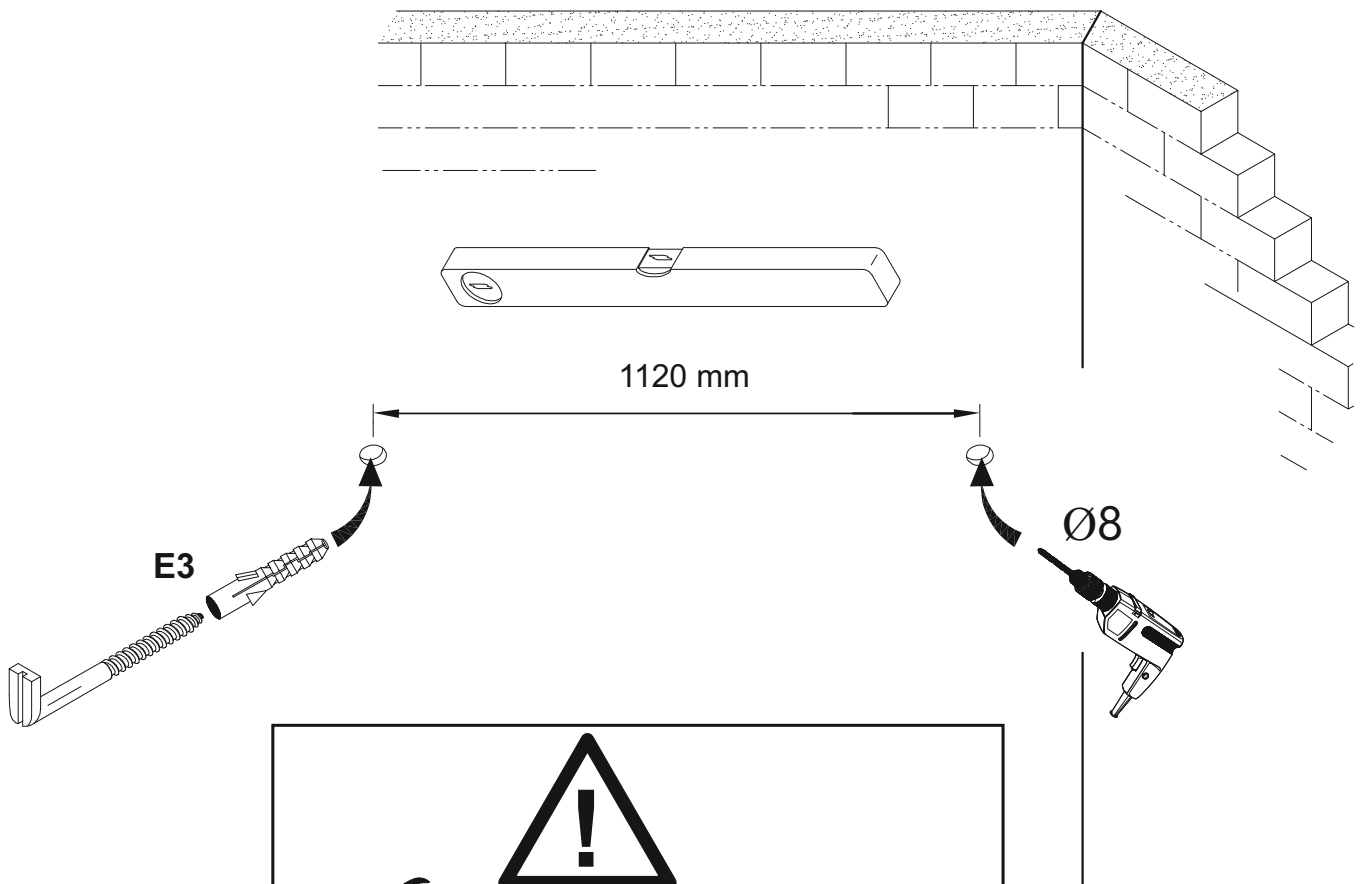
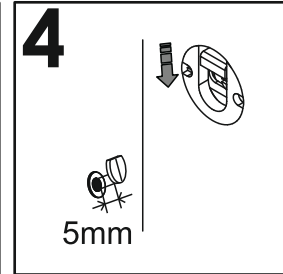
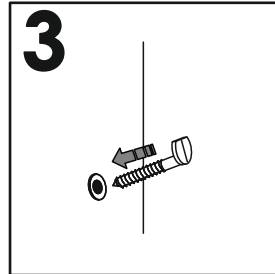
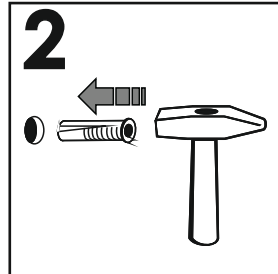
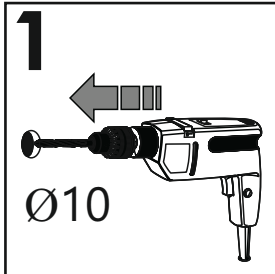


2



3

E3

10x50
x2



4

