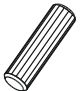
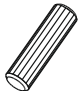








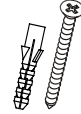











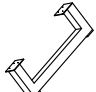


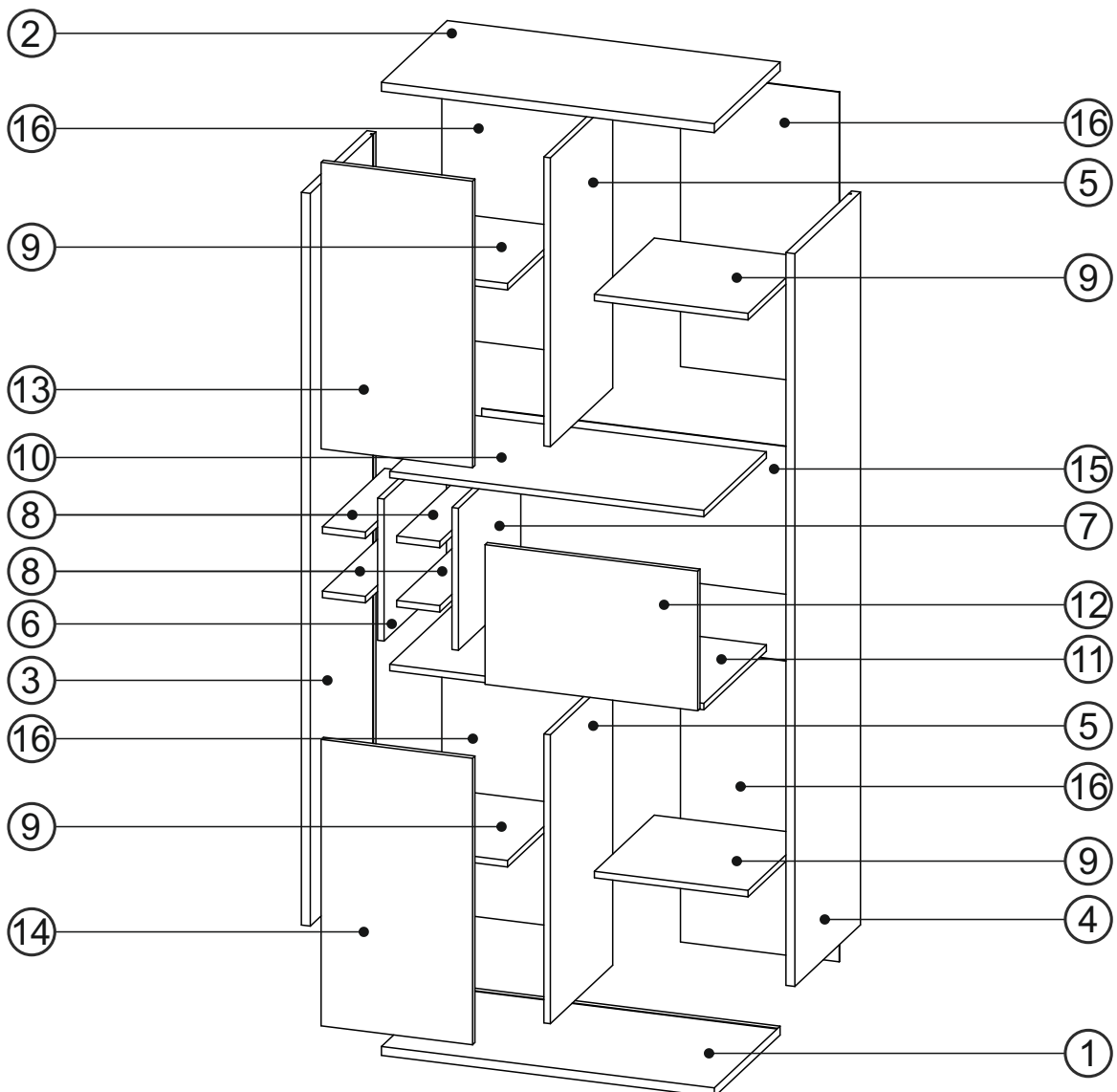


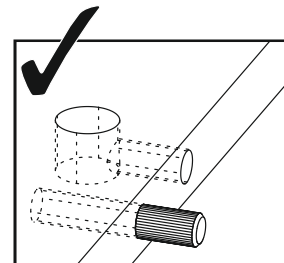
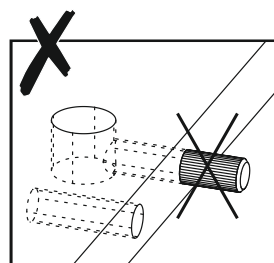
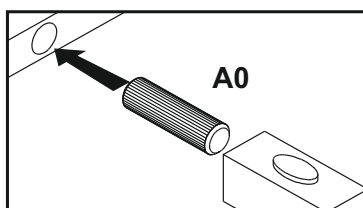
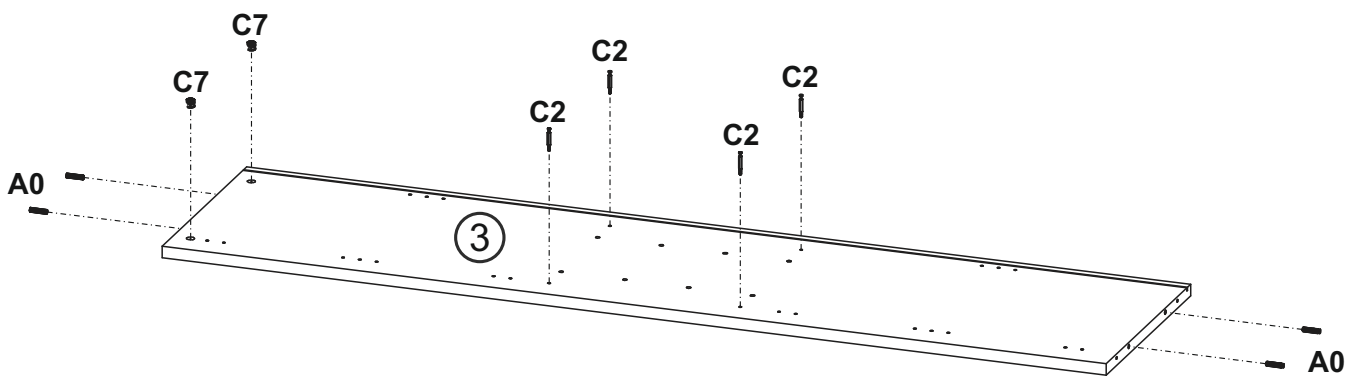
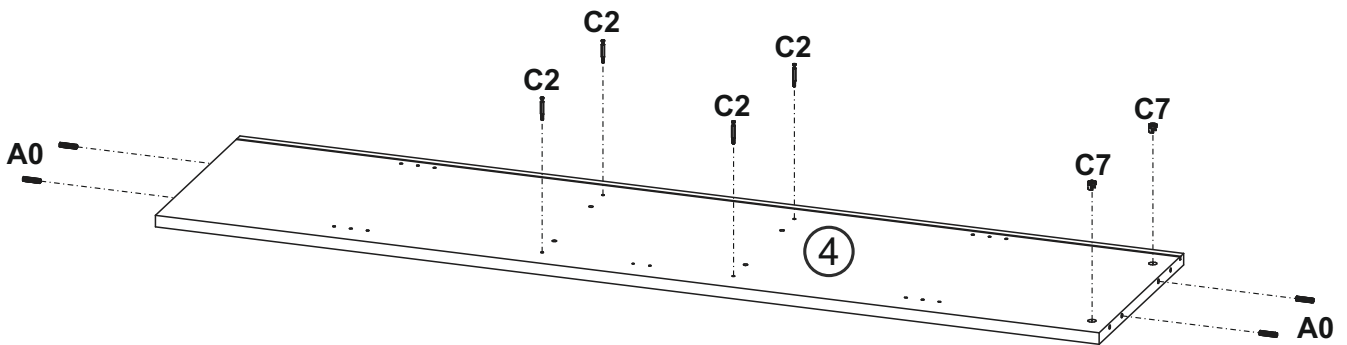
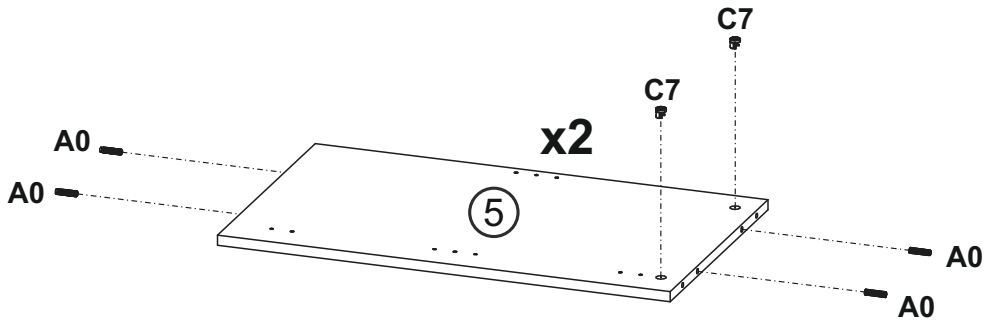
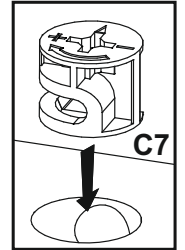
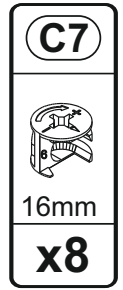
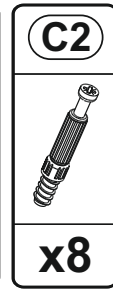
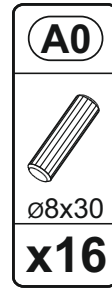
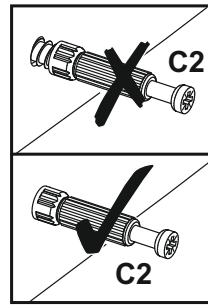
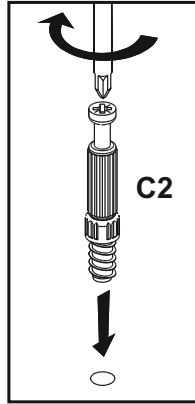
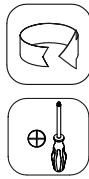
A0  ø8x30 x40	A1  ø8x50 x4	B0  ø 7mm x4	B1  ø7x50 x4	B2  ø7x70 x6	C0  ø16mm x18	C2  x18	C7  16mm x18	D0  3x15 x37	D5  3,5x16 x26	E0  8x50 x1
H2  4x22 x6	F4  x1	J4  x6	J6  x6	K  4mm x1	L42  x3	M1  x20	M3  x12	P0  x1	Q3  x16	Q4  x1
T25  x2	U0  x2									

①	820	445	22	x1	1/3
②	820	445	22	x1	1/3
③	1806	444	22	x1	1/3
④	1806	444	22	x1	1/3
⑤	712	422	16	x2	2/3
⑥	350	422	16	x1	2/3
⑦	350	422	16	x1	2/3
⑧	106	421	16	x4	2/3
⑨	378,5	405	16	x4	2/3

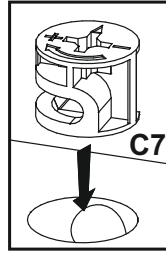
⑩	774	423	16	x1	2/3
⑪	774	423	16	x1	2/3
⑫	524	344	16	x1	2/3
⑬	706	373	16	x1	2/3
⑭	706	373	16	x1	2/3
⑮	364	784	3	x1	1/3
⑯	725	391	3	x4	1/3
					3/3



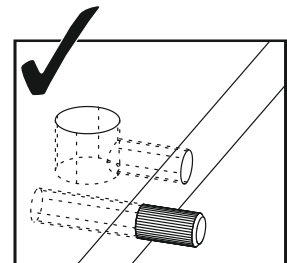
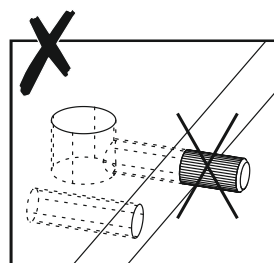
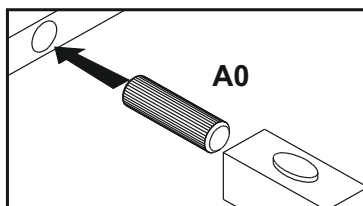
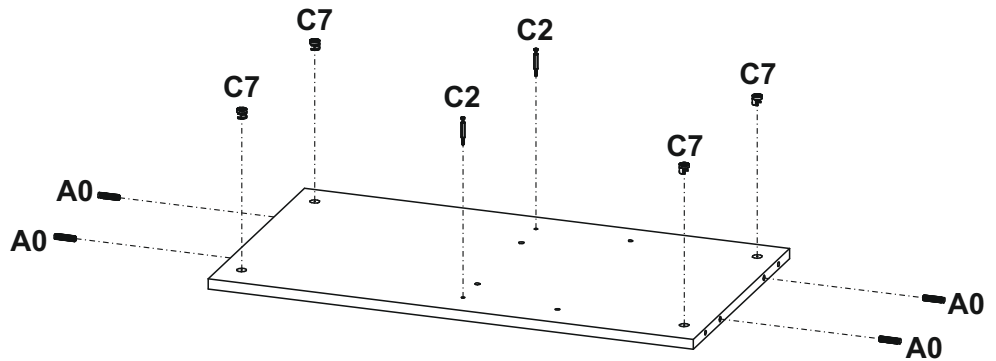
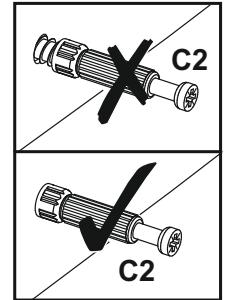
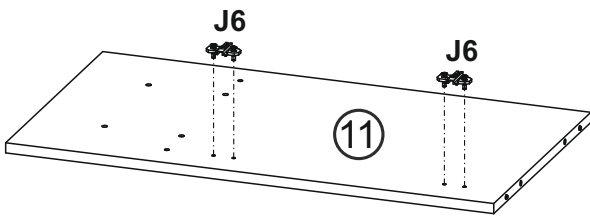
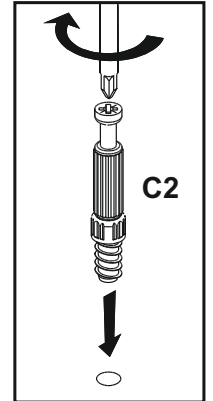
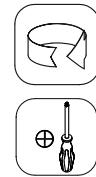
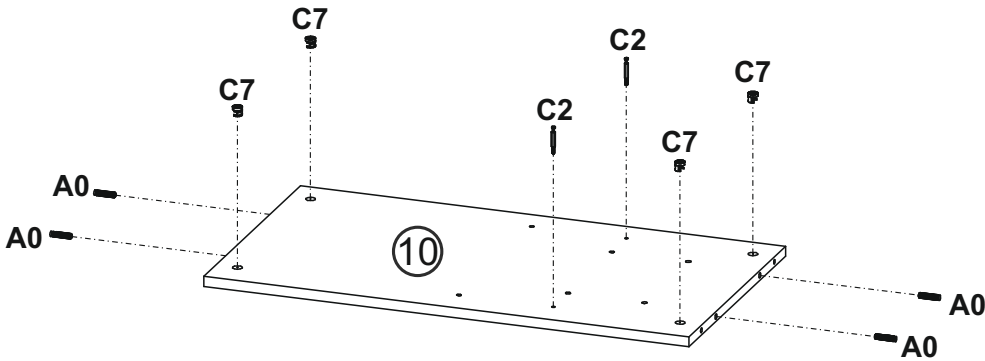
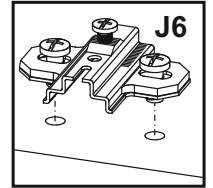
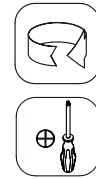
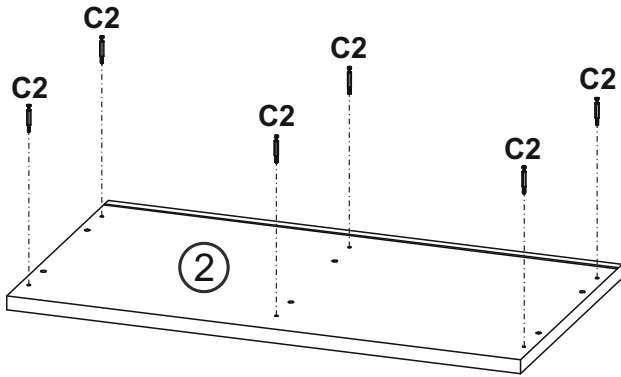
1







2

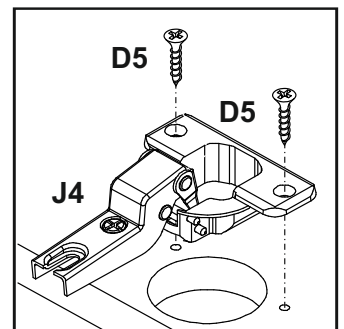
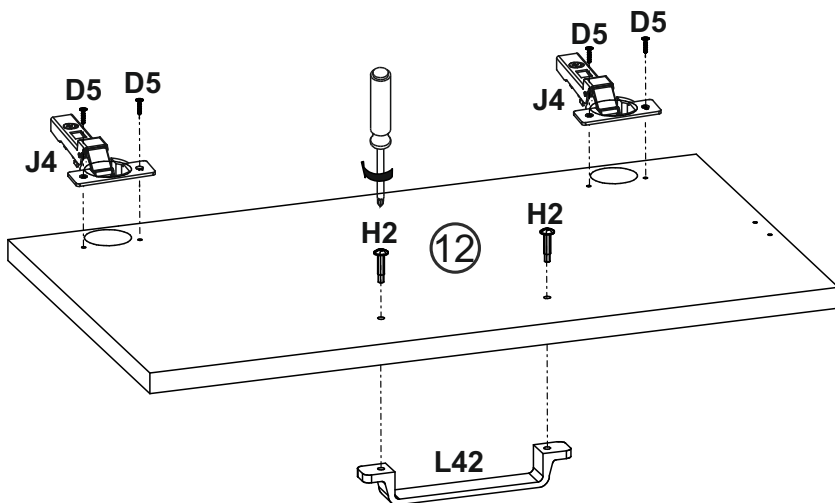
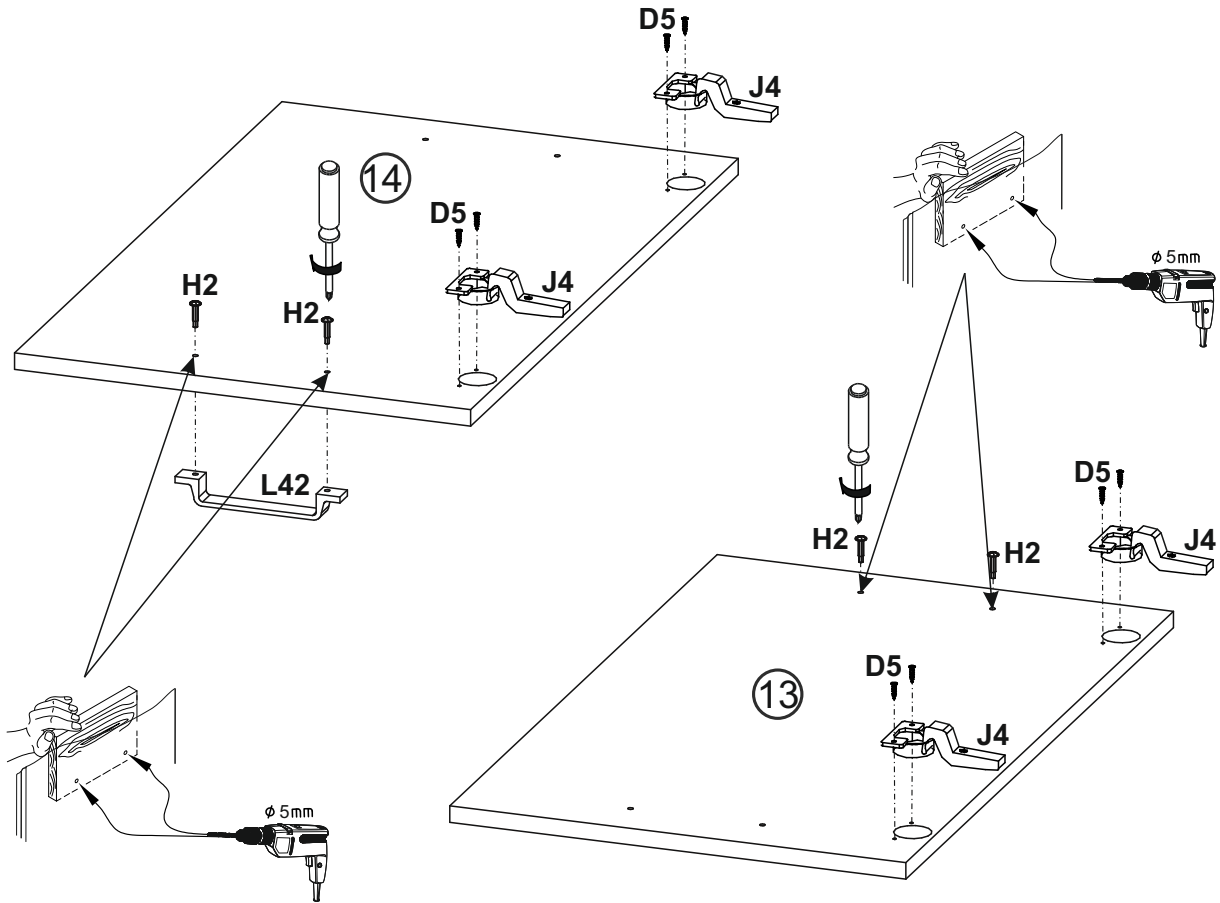


A0	C2	C7	J6
∅8x30		16mm	
x8	x10	x8	x2

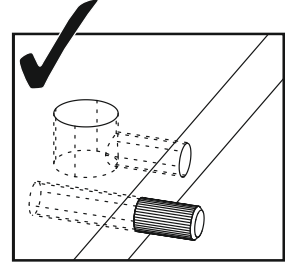
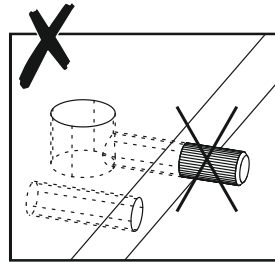
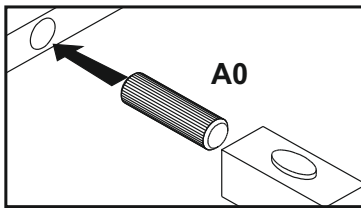
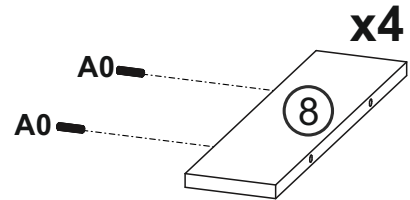
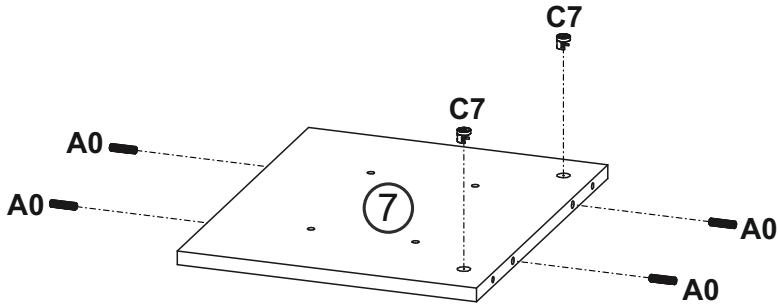
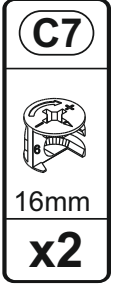
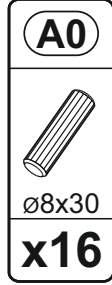
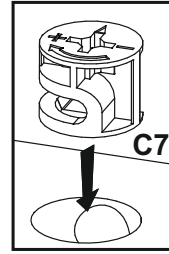
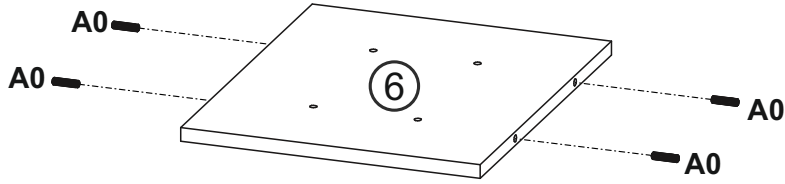


3

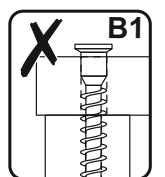
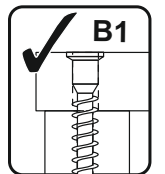
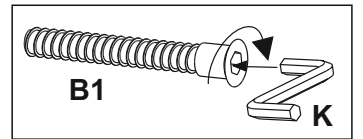
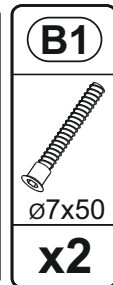
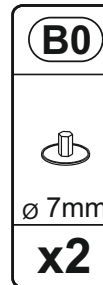
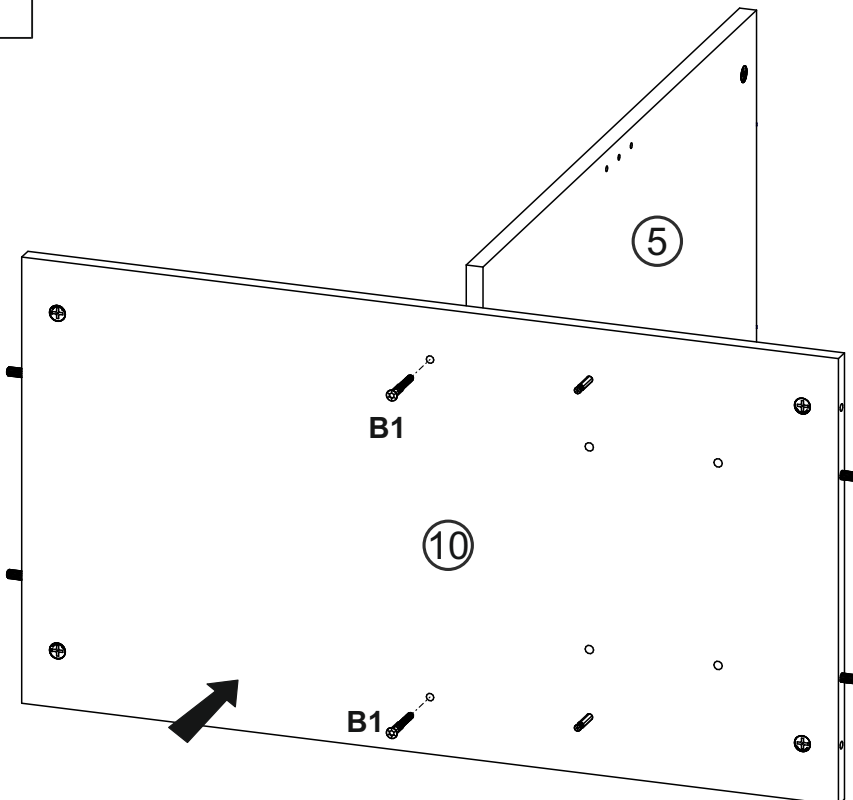
D5	H2	J4	L42
			
3,5x16	4x22		
x12	x6	x6	x3



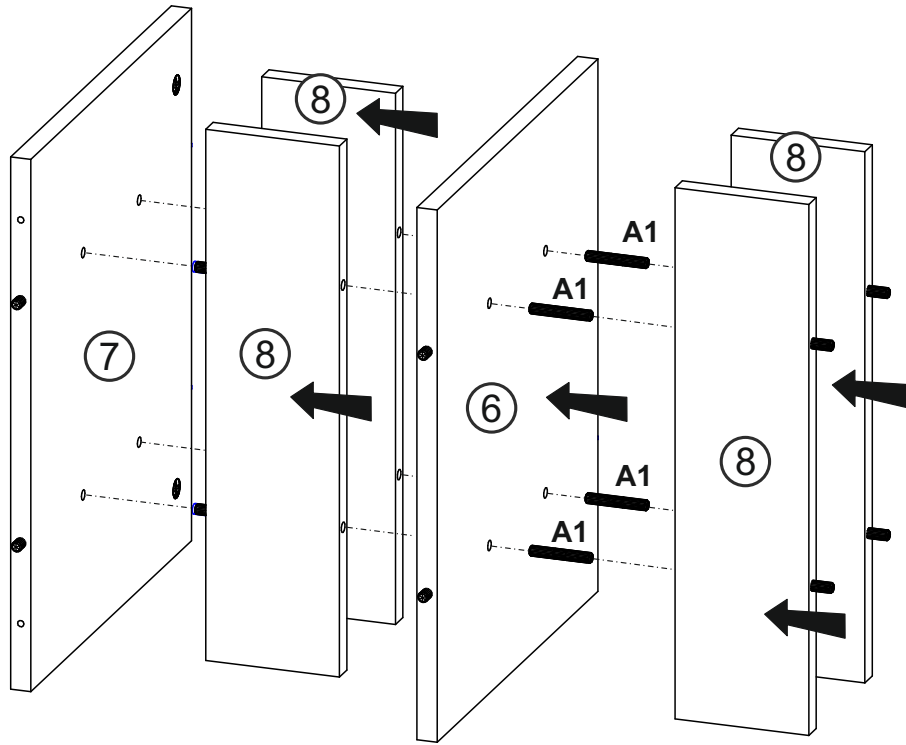
4



5



6

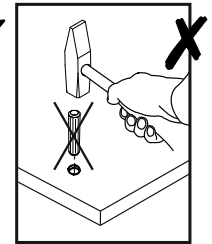
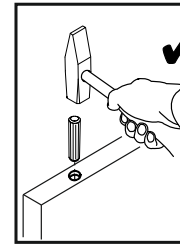
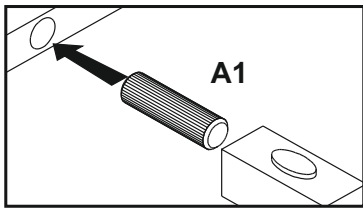


A1

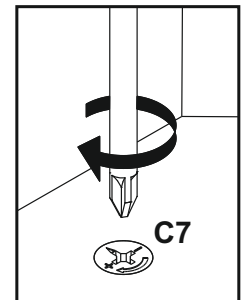
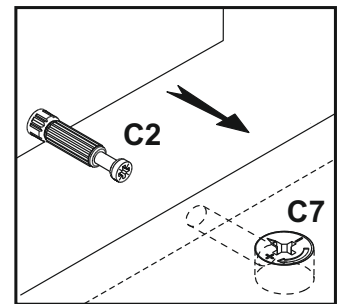
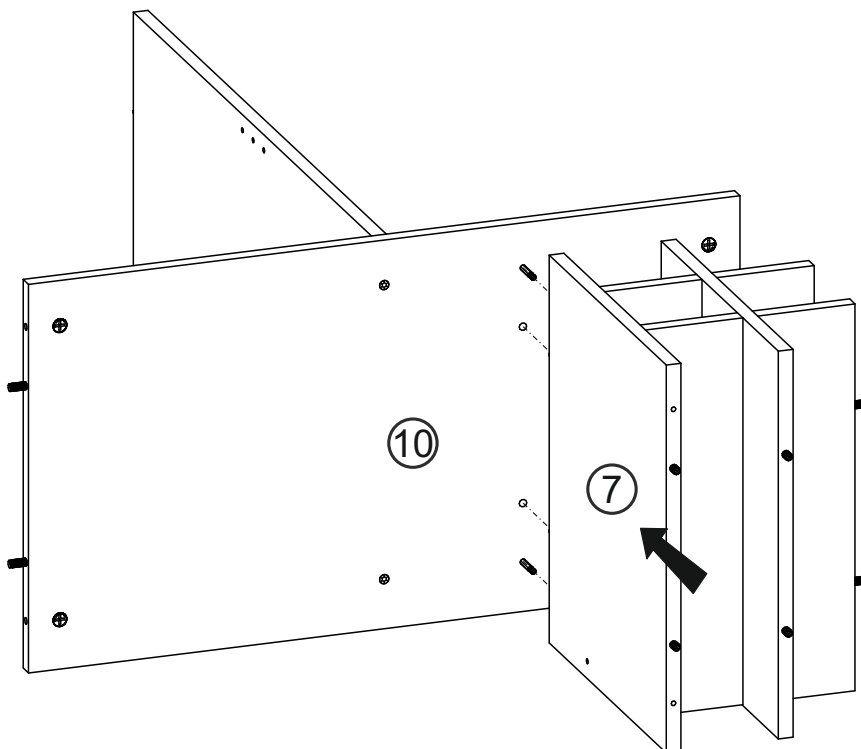


ø8x50

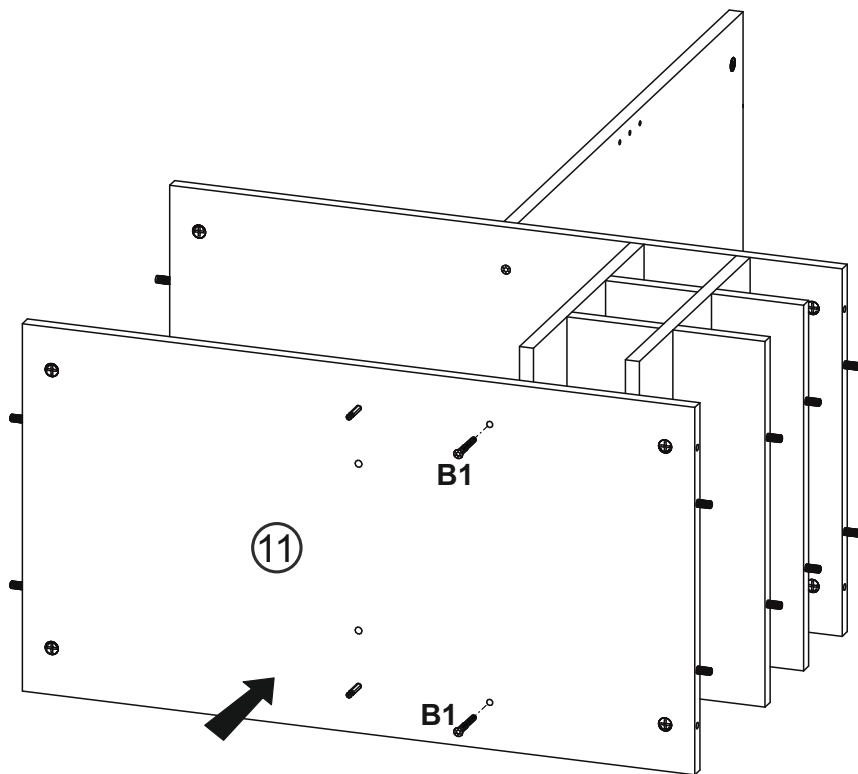
x4



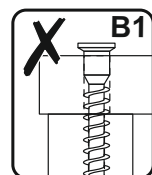
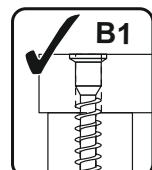
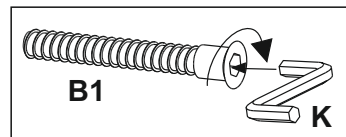
7



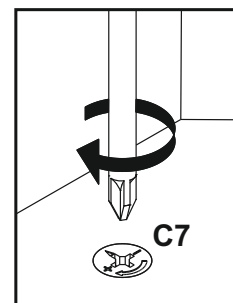
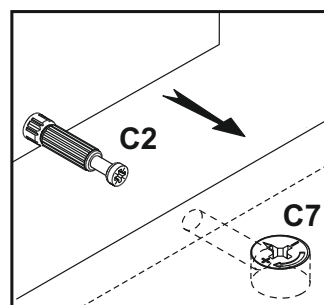
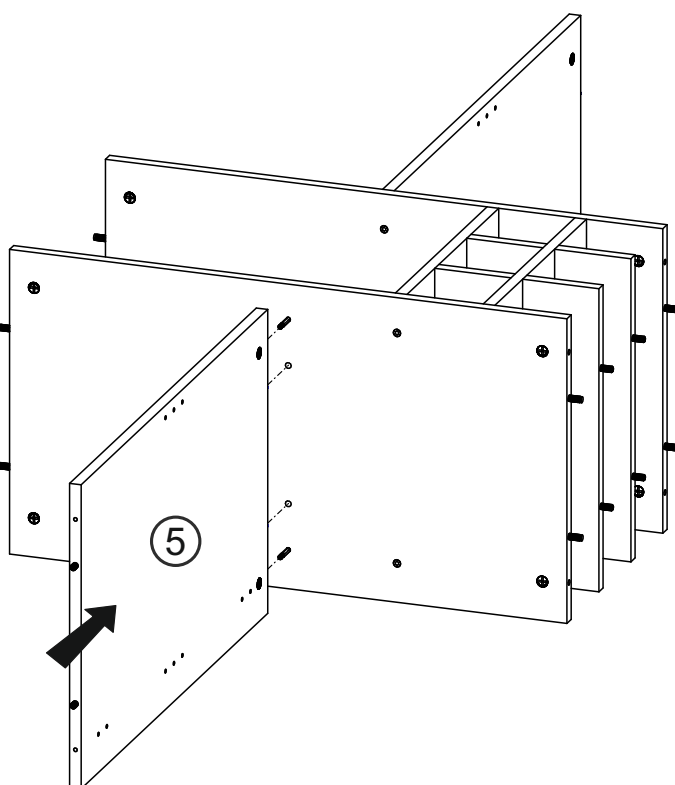
8

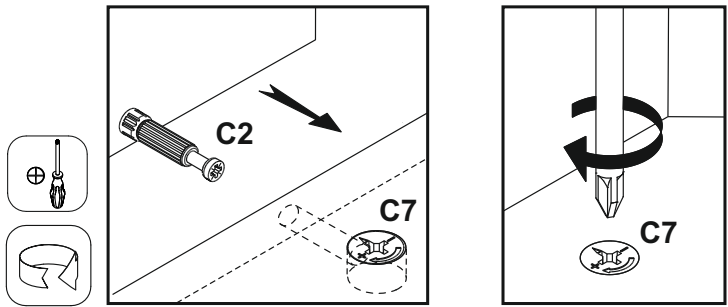
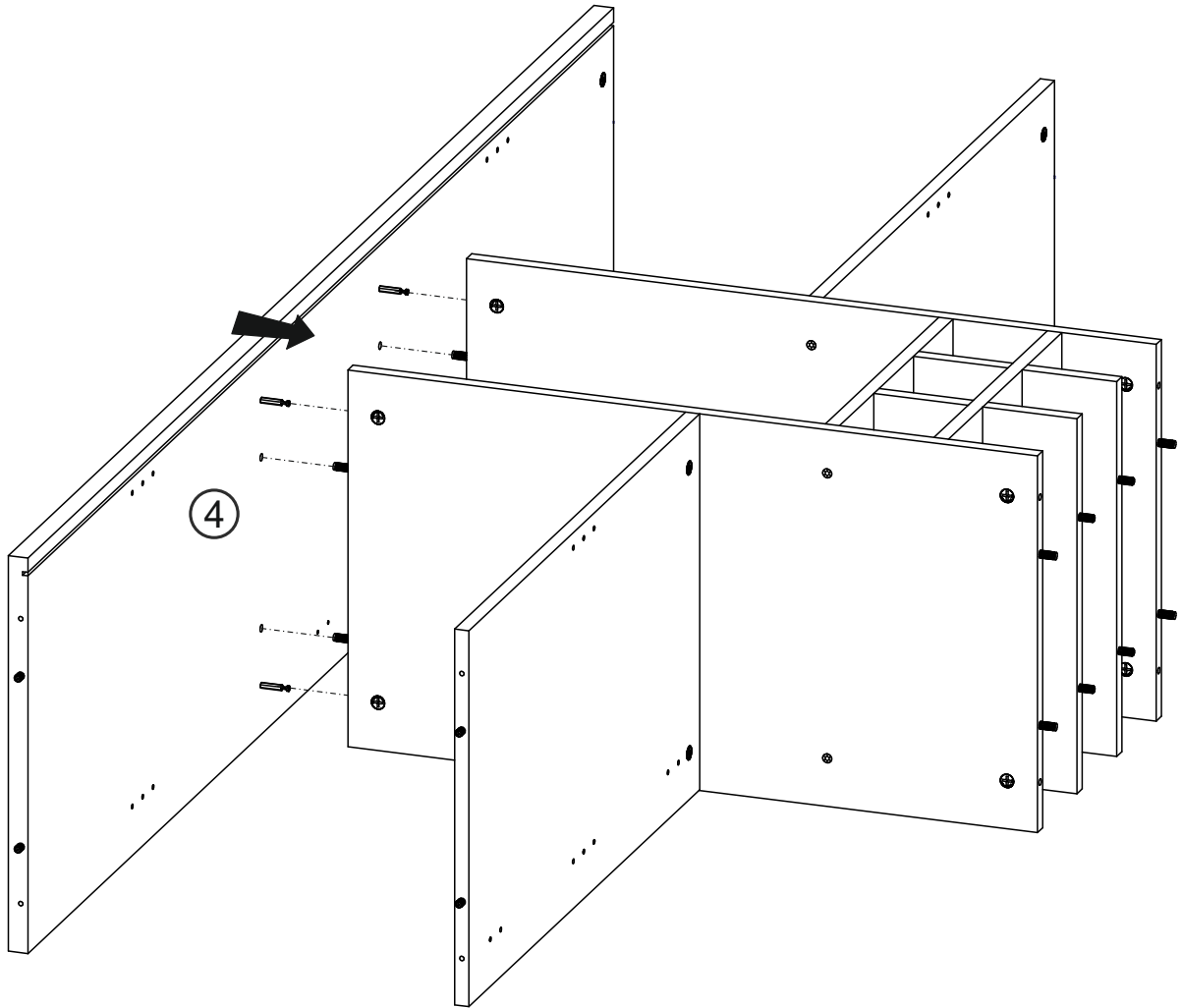


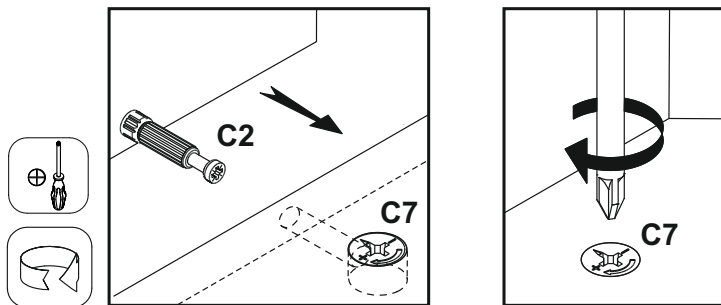
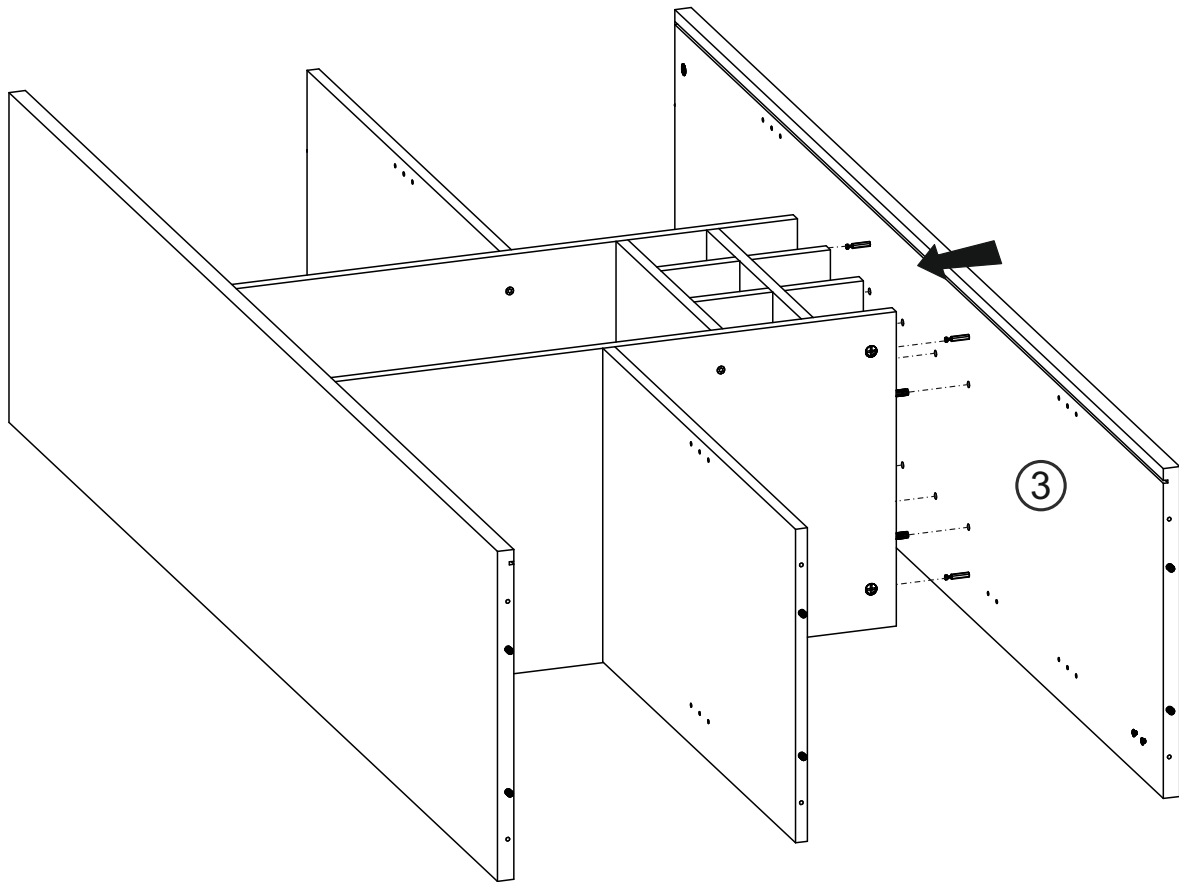
B0	B1	K
∅ 7mm	∅7x50	4mm
x2	x2	x1

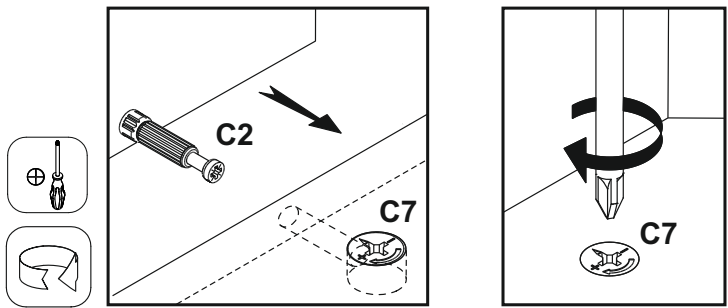
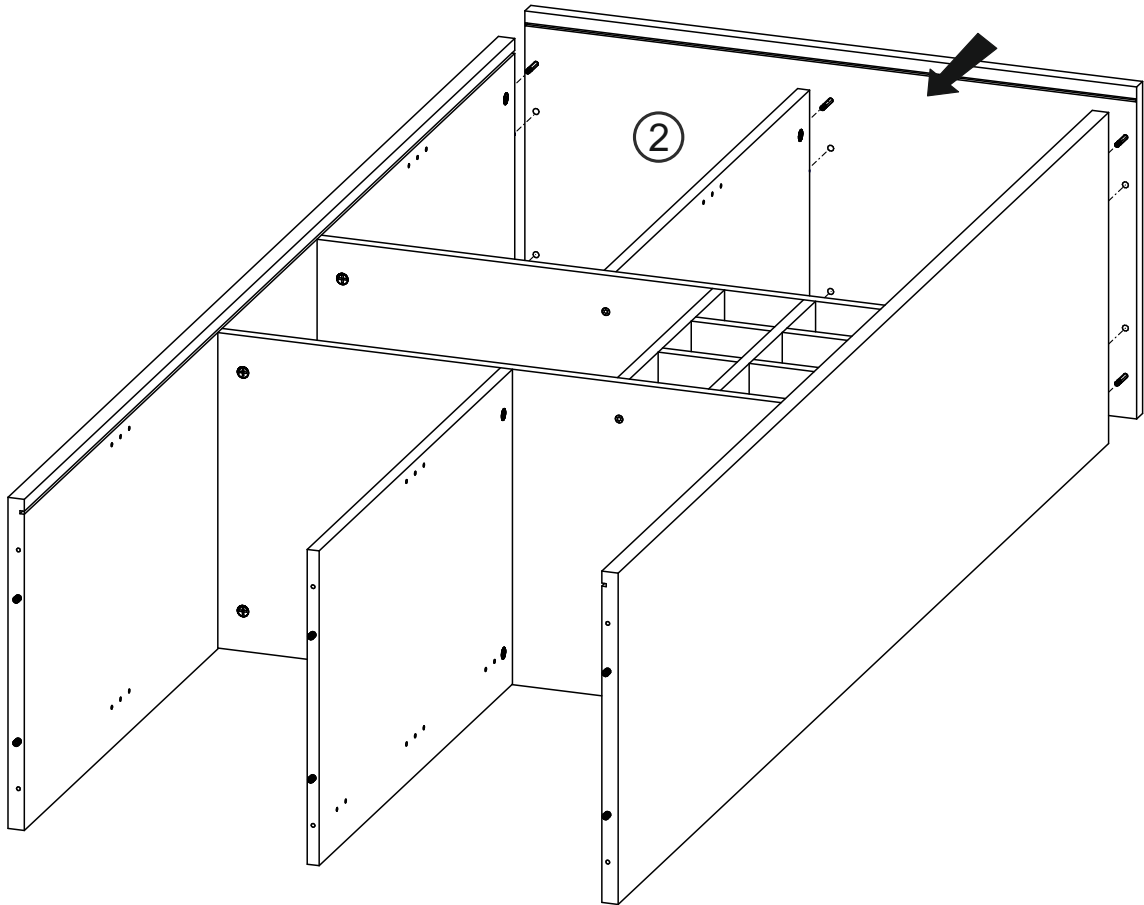


9

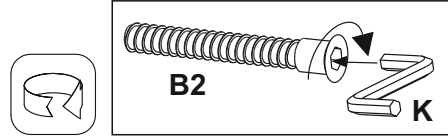








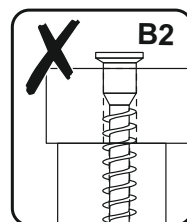
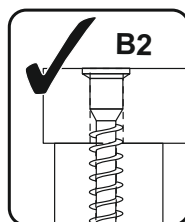
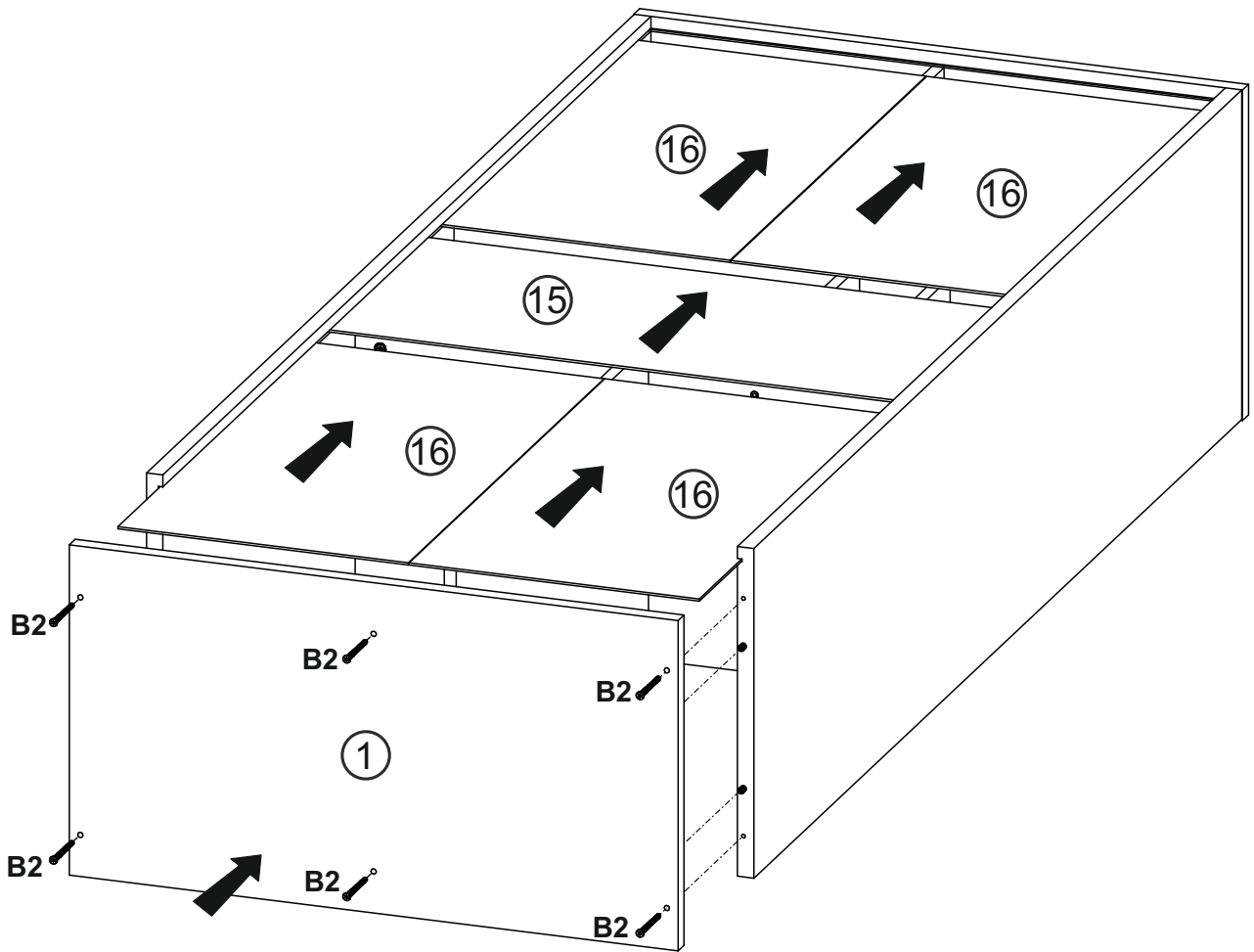


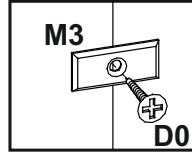
13



B2
 ø7x70
x6

K
 4mm
x1

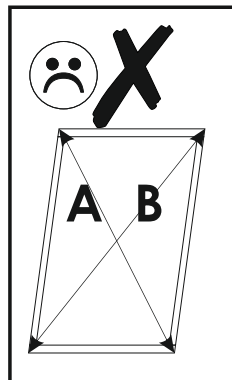
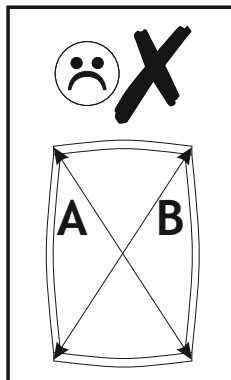
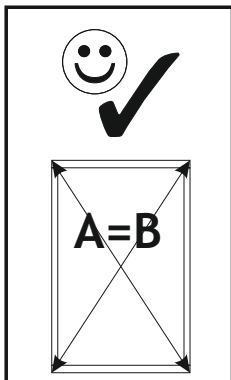
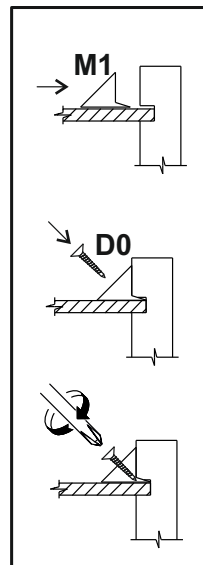
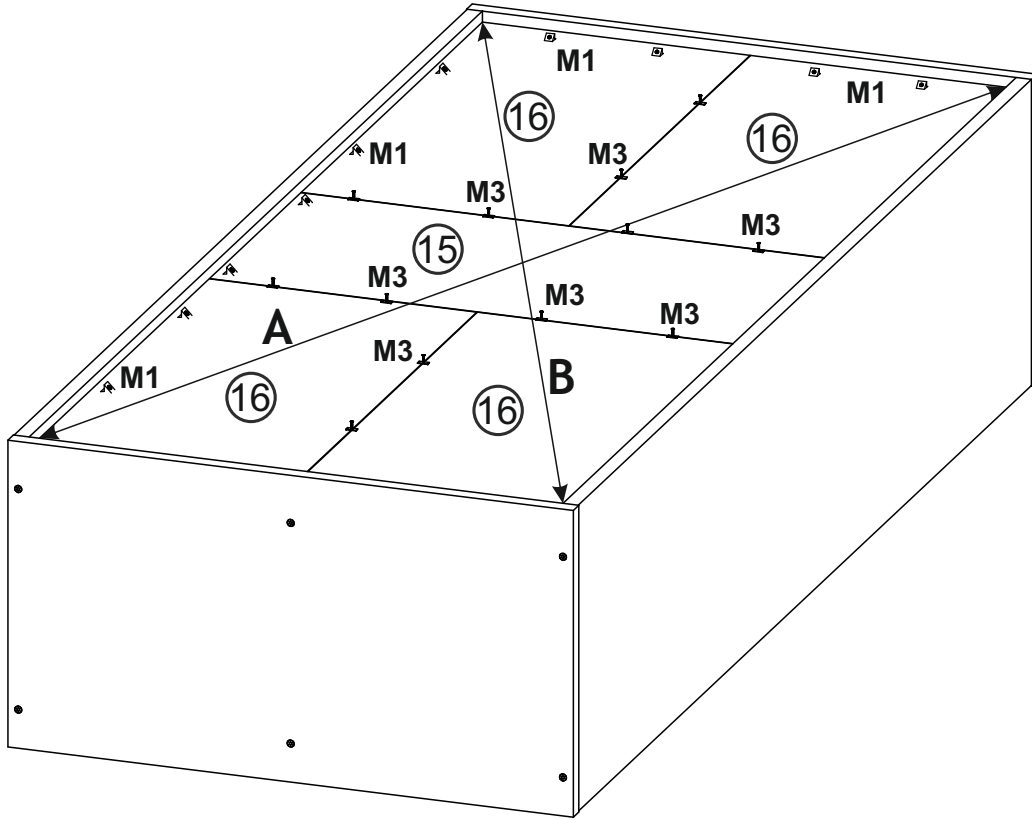





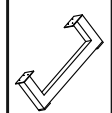
D0
3x15
x32

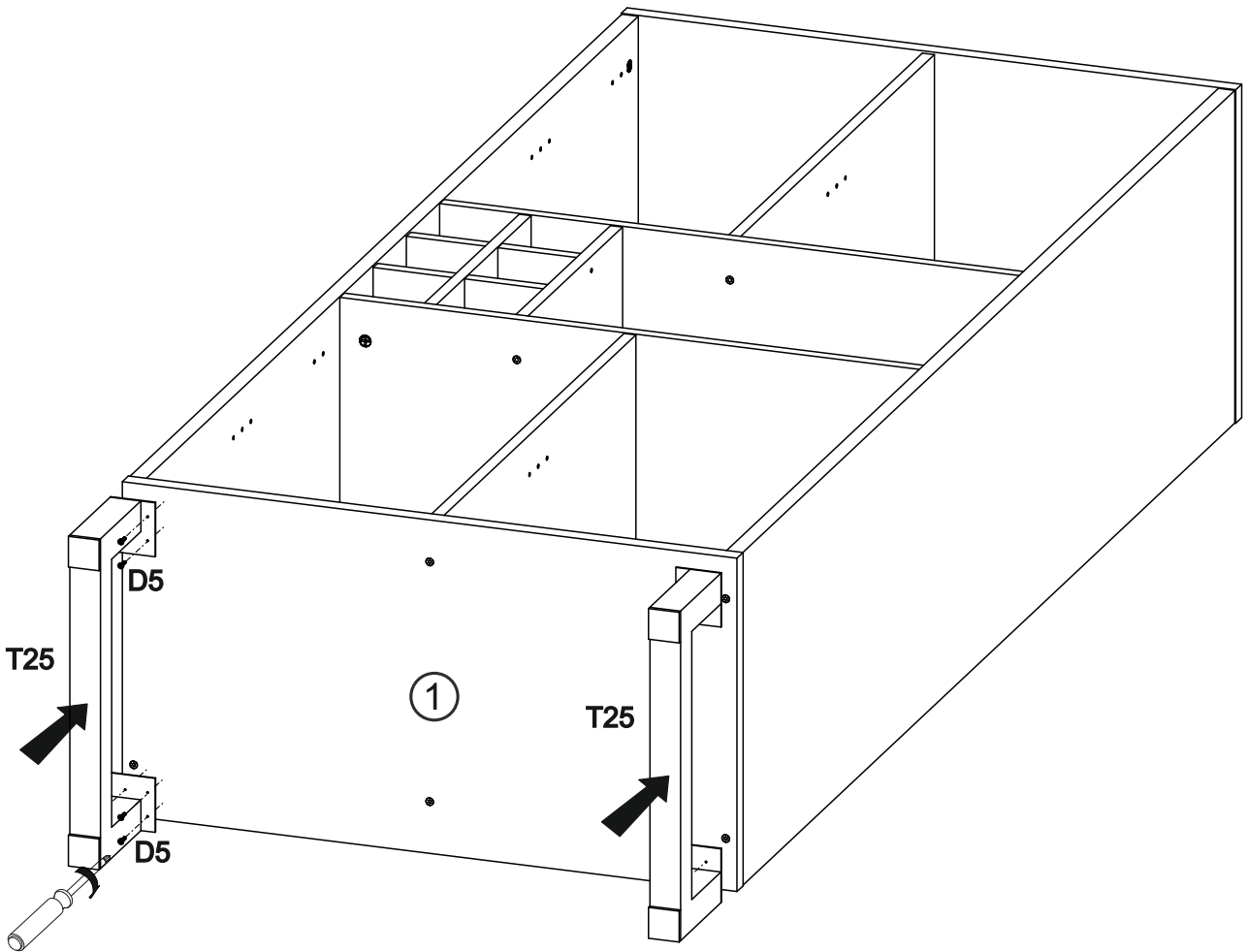
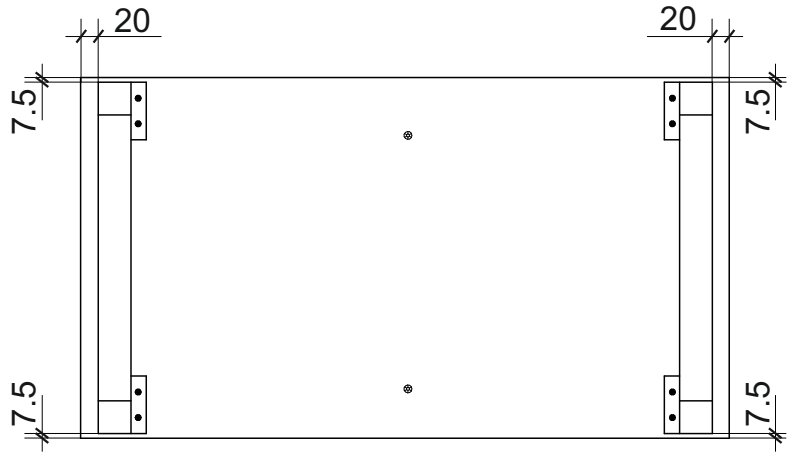
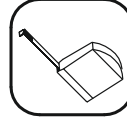
M1
x20

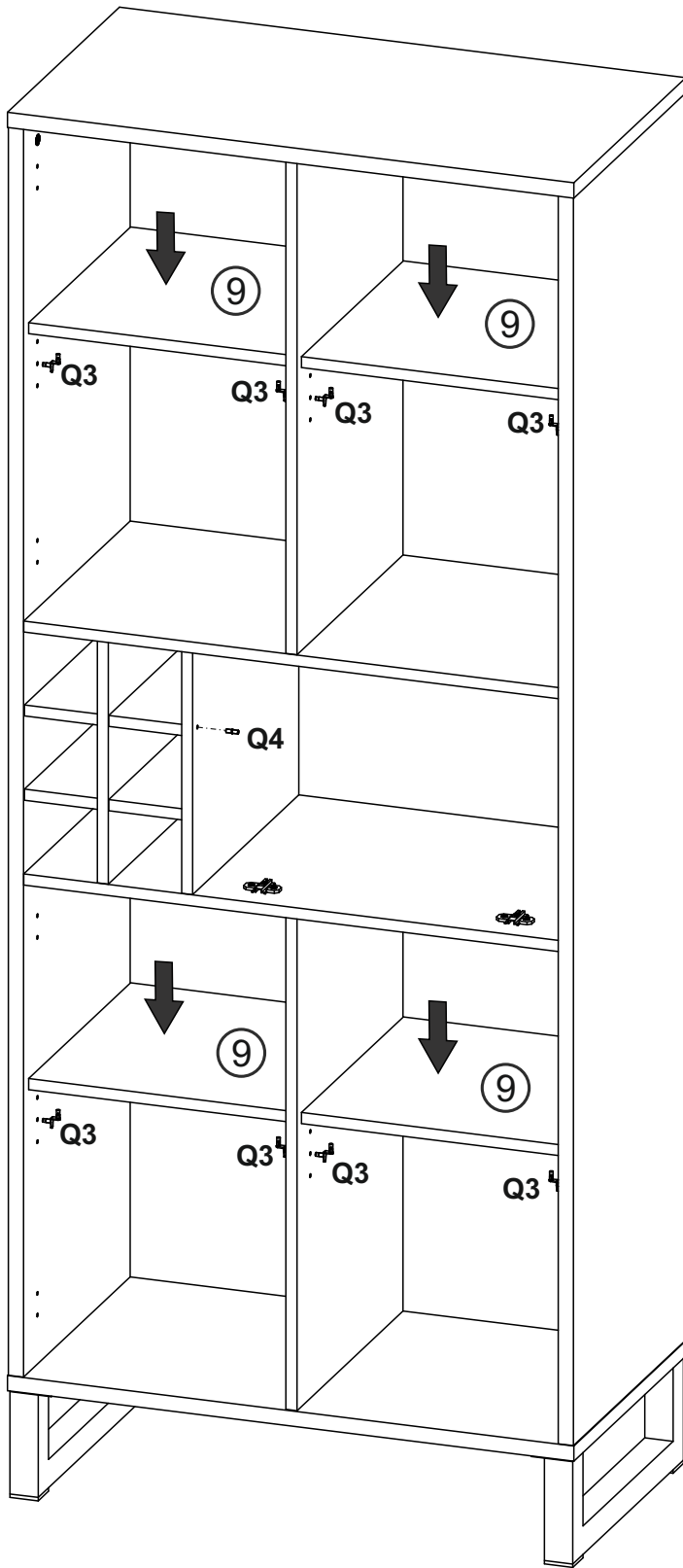
M3
x12

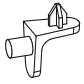
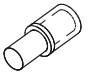


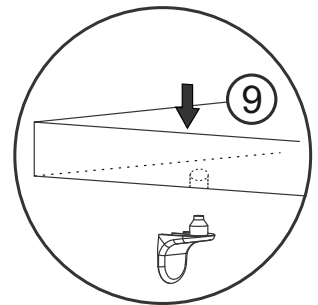
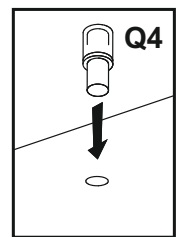
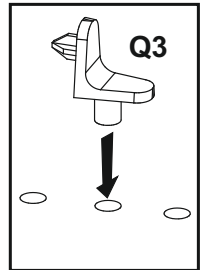
15

D5	T25
	
3,5x16	
x12	x2

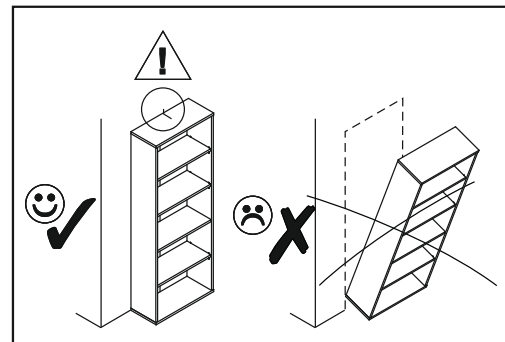
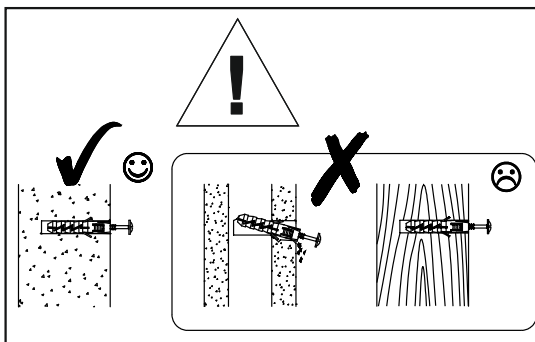
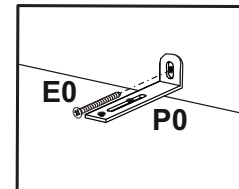
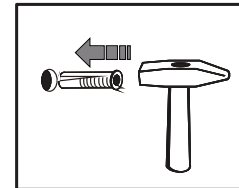
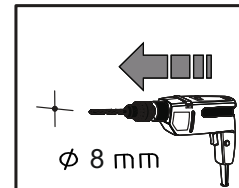
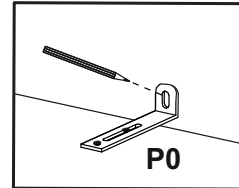
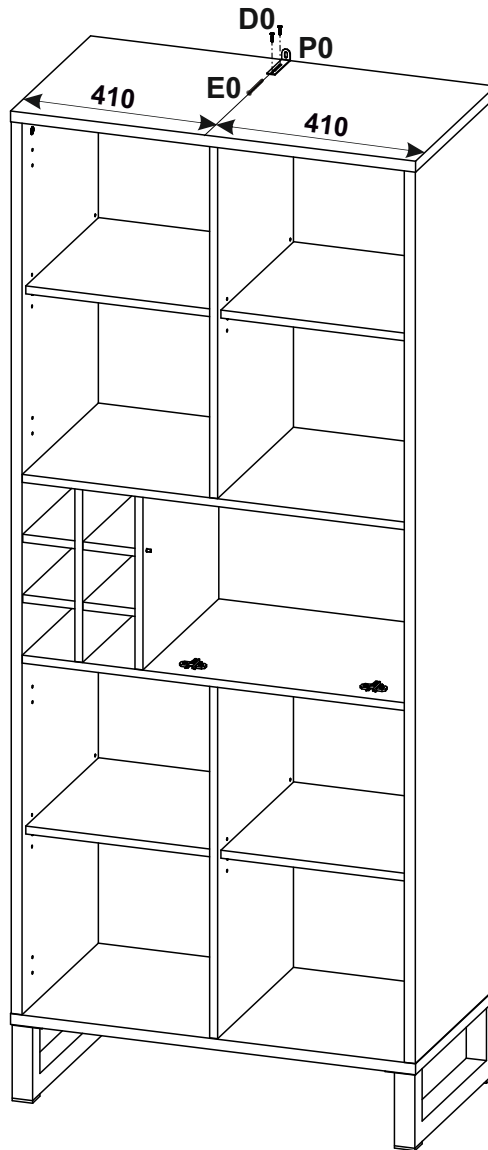
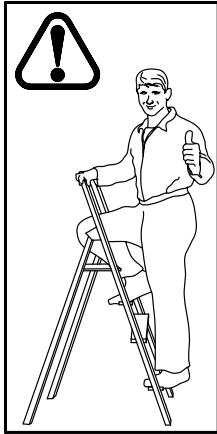
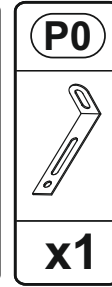
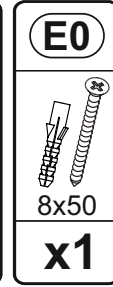
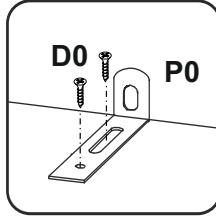




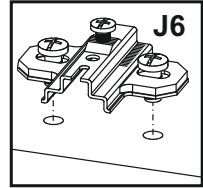
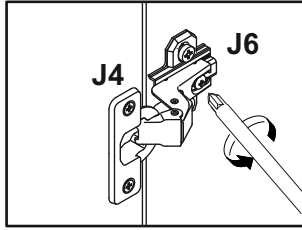
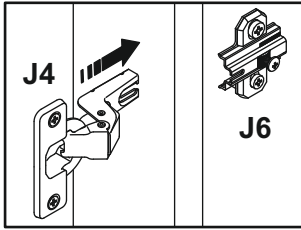
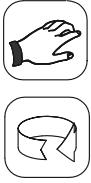
Q3	Q4
	
x16	x1



17



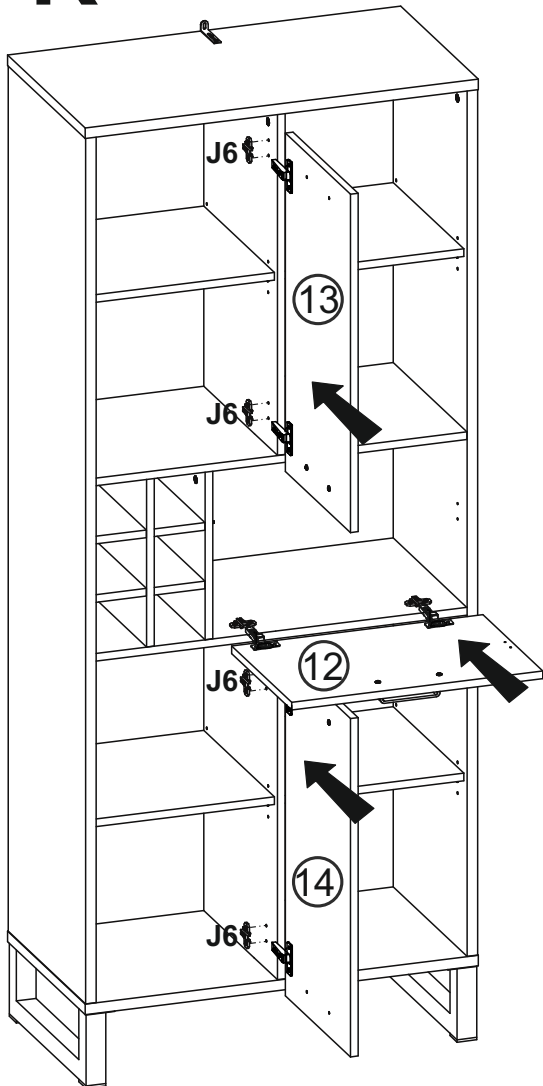
18



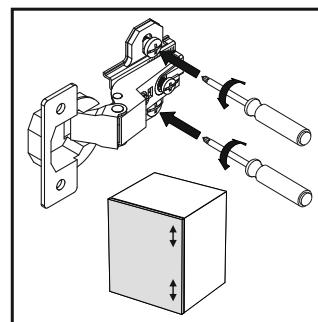
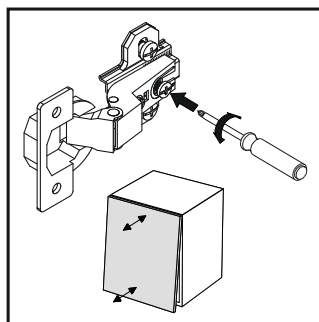
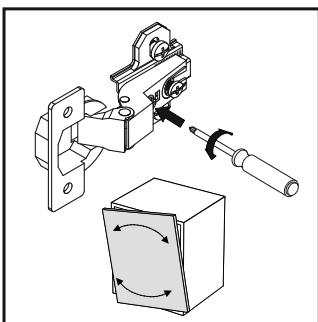
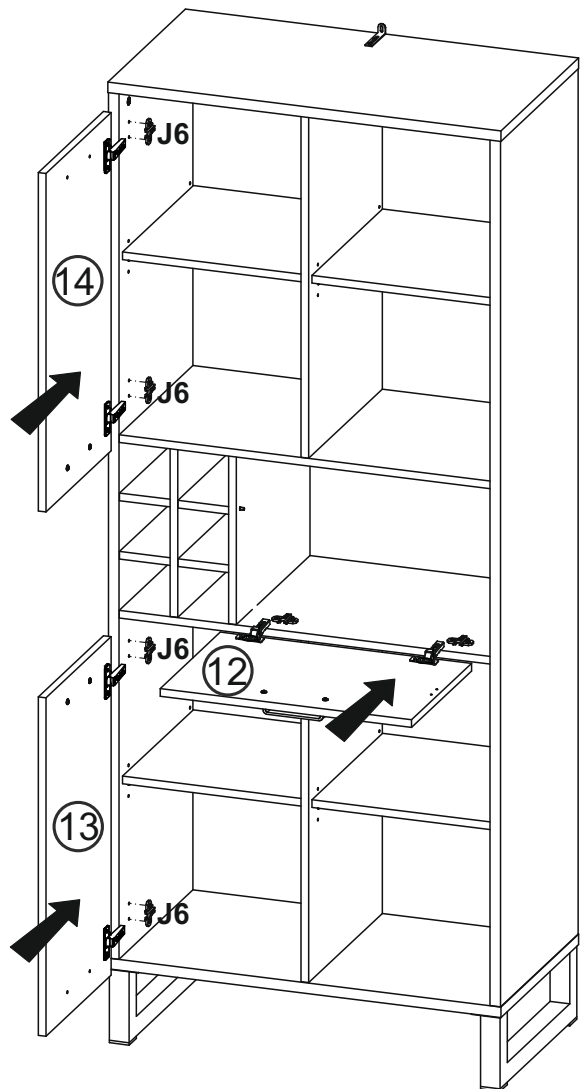
J6

x4

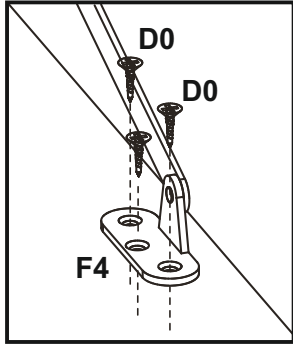
R



L

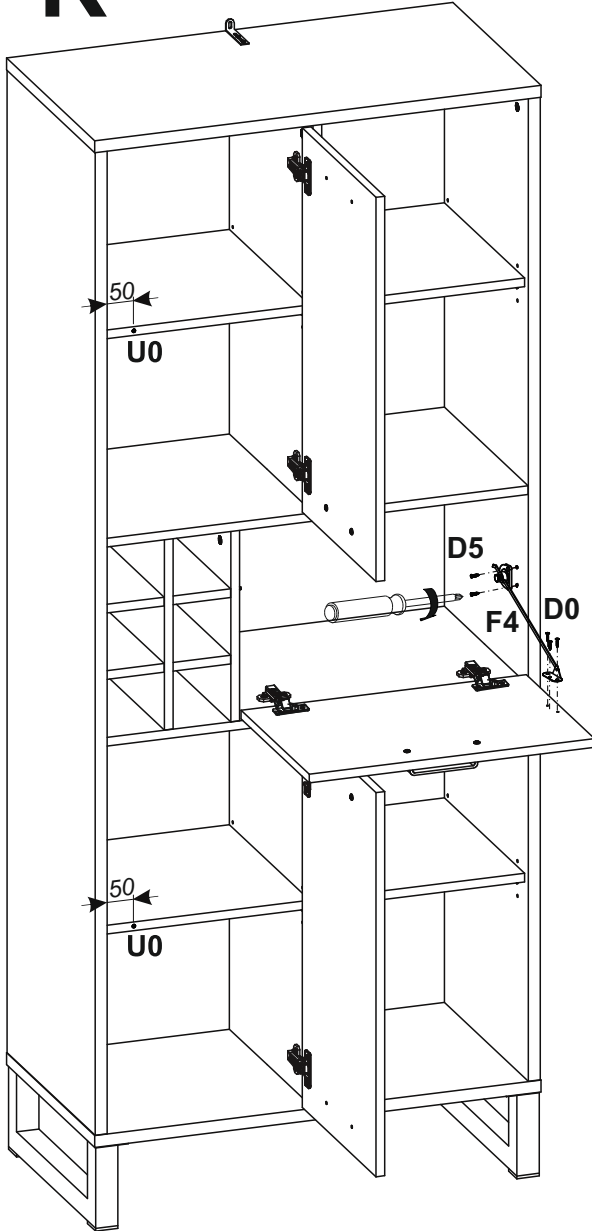


19



C0	D0	D5	F4	U0
ø16mm	3x15	3,5x16		
x18	x3	x2	x1	x2

R



L

