







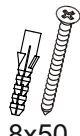


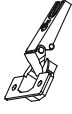


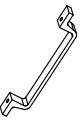



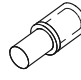
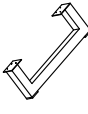
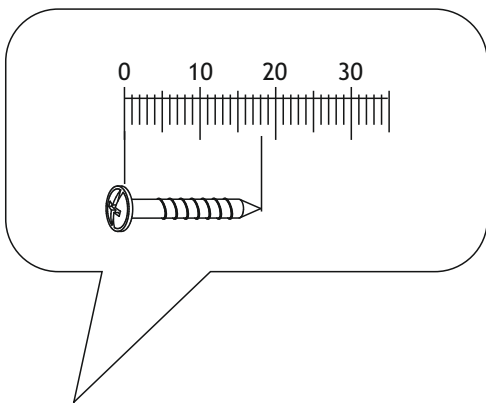



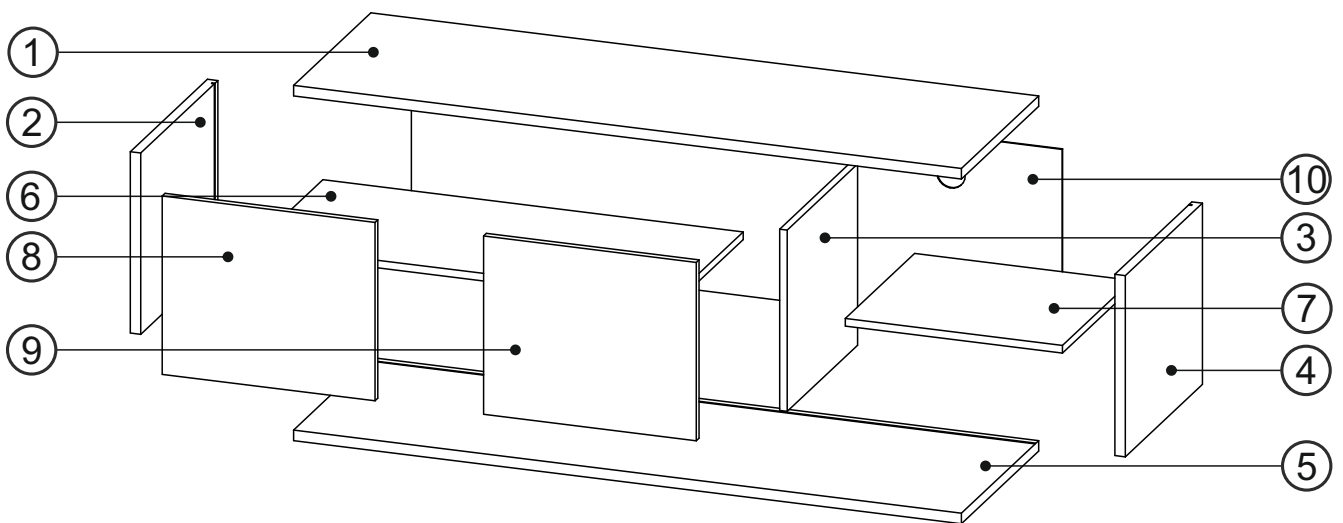
A0	B2	C0	C2	C7	D0	D5	D21	E0	J4	J6
										
∅8x30	∅7x70			16mm	3x15	3,5x16	5x13	8x50		
x12	x6	x6	x6	x6	x14	x20	x1	x1	x2	x4

J8	H2	K	L42	M1	P0	Q3	Q4	T25
								
	4x22	4mm						
x2	x4	x1	x2	x14	x1	x8	x2	x2

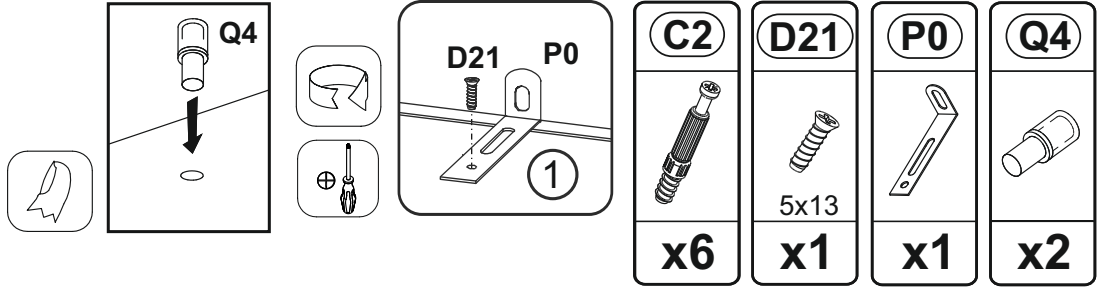


①	1400	445	22	x1	1/3
②	380	444	22	x1	1/3
③	380	405	16	x1	2/3
④	380	444	22	x1	1/3
⑤	1400	445	22	x1	1/3
⑥	881	399	16	x1	2/3





⑦	455	399	16	x1	2/3
⑧	374	446	16	x1	2/3
⑨	374	446	16	x1	2/3
⑩	1364	390	3	x1	1/3
					3/3

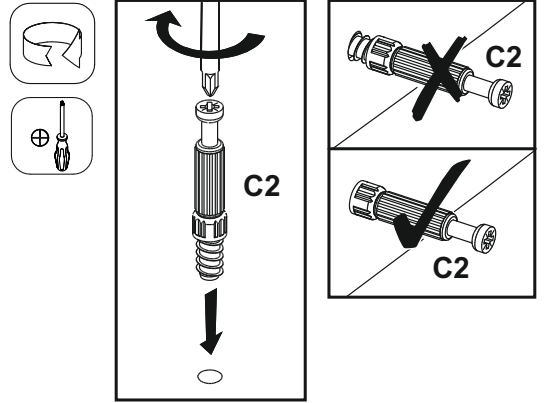


1



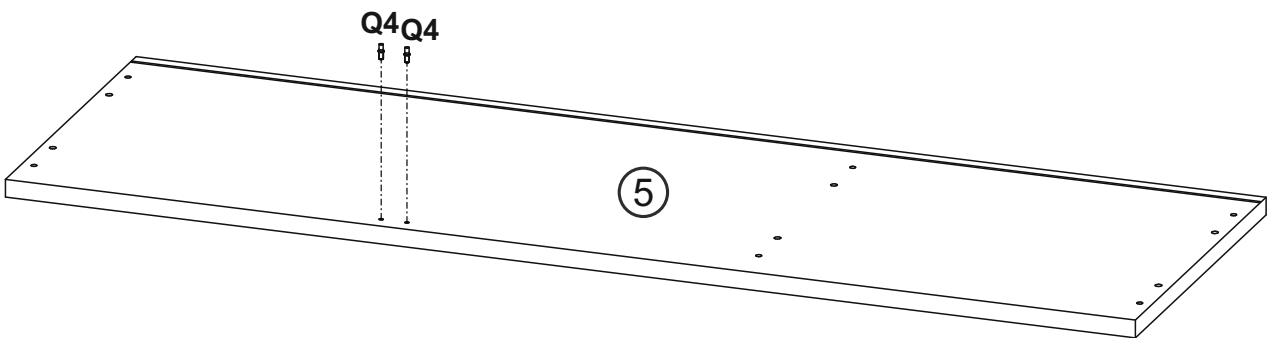
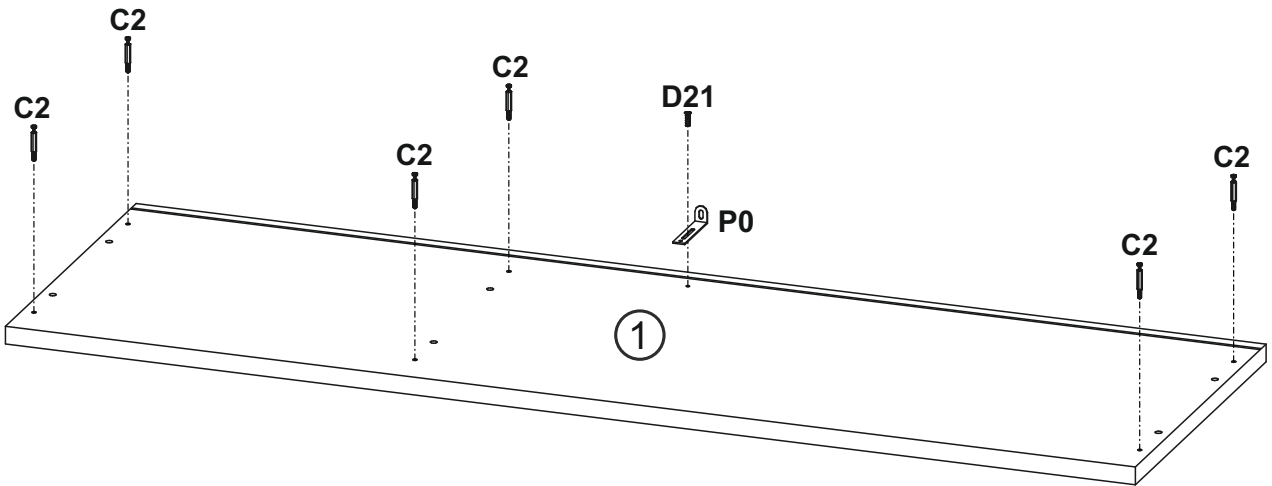
Parts list for step 1:

			
C2	D21	P0	Q4
x6	5x13 x1	x1	x2

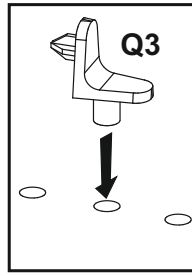
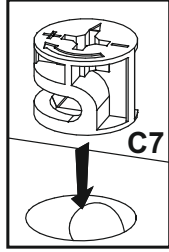


Assembly instructions for C2 screw:

- Use a screwdriver to insert the screw into the hole.
- Turn the screw clockwise to tighten it.
- Do not over-tighten the screw.



2

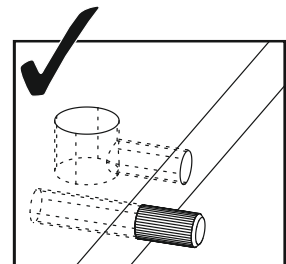
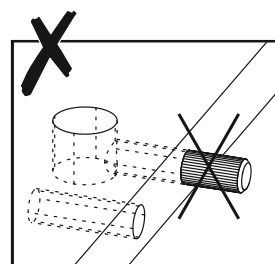
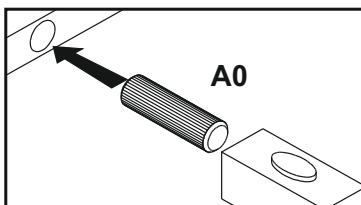
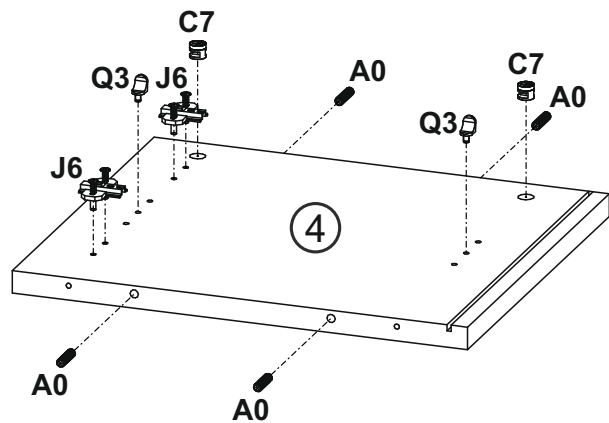
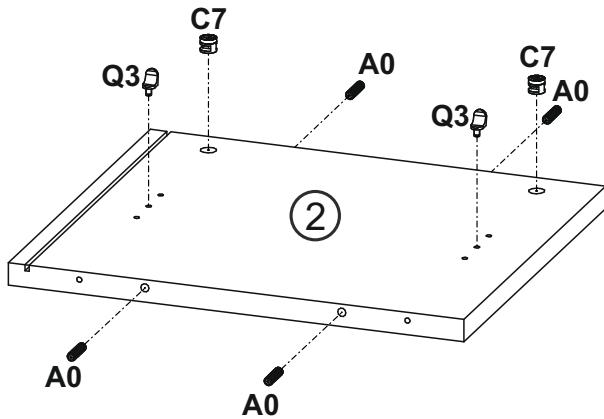
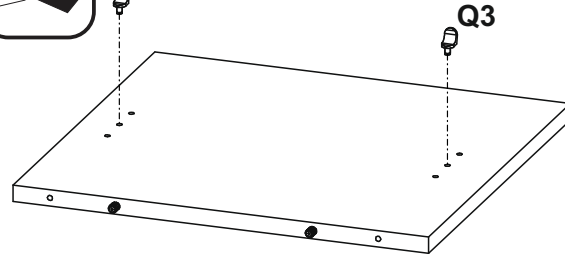
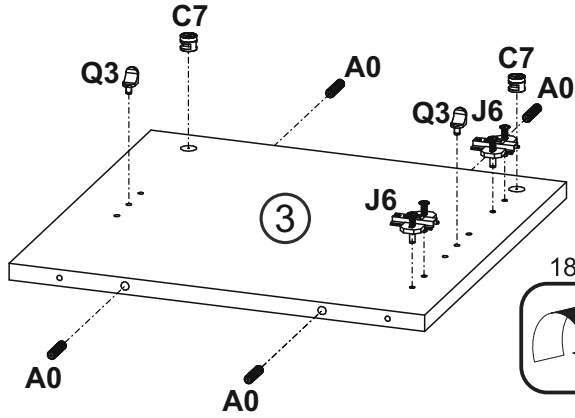
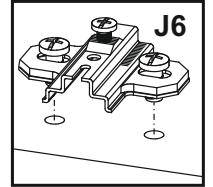
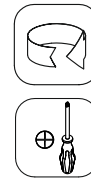


A0
∅8x30
x12

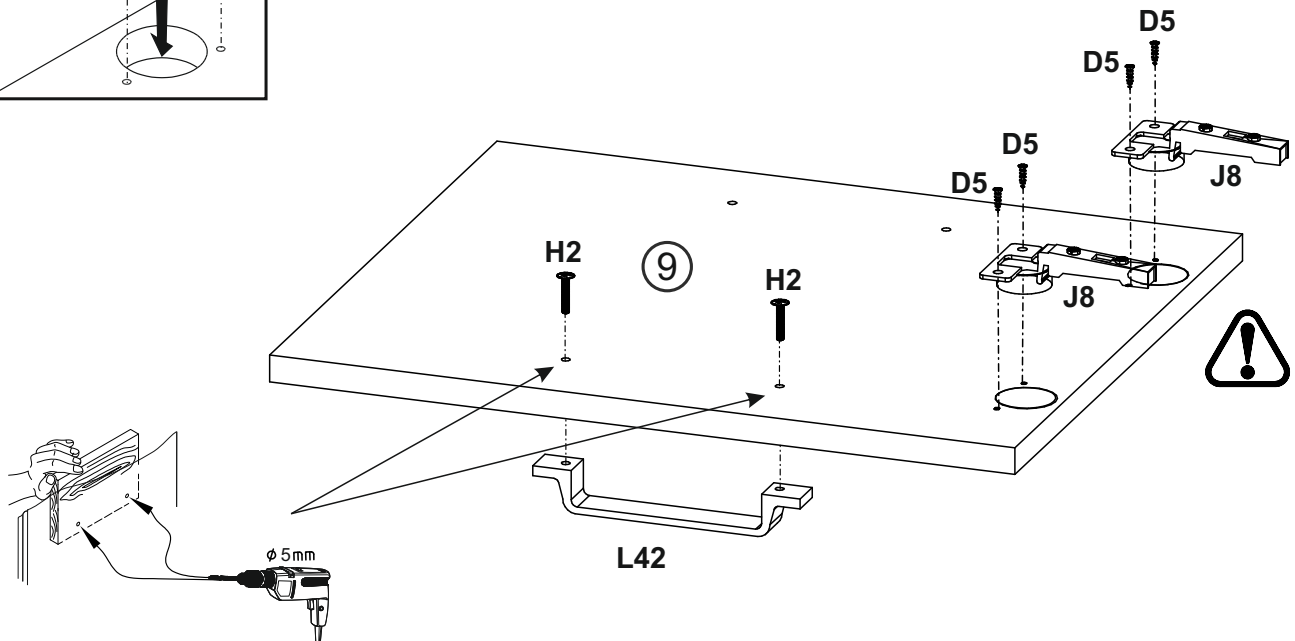
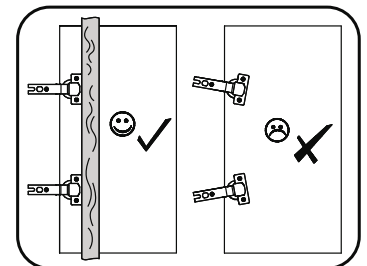
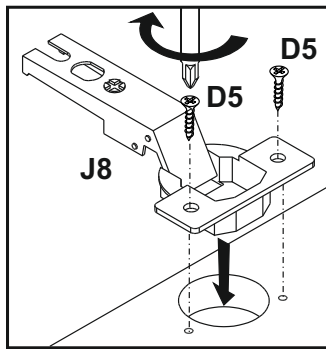
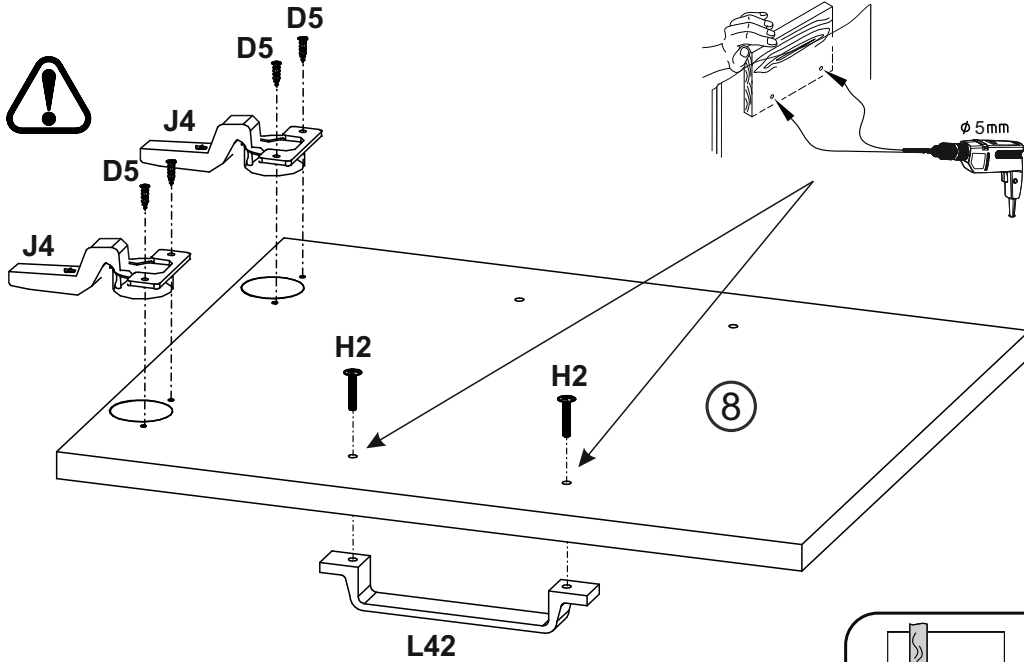
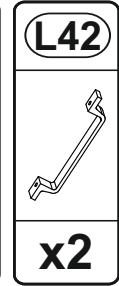
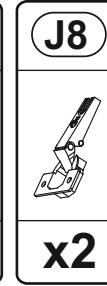
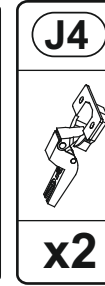
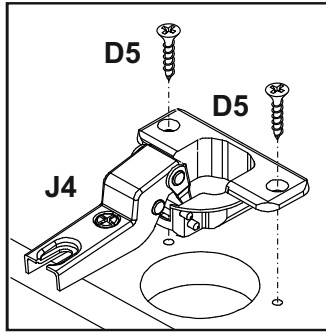
C7
16mm
x6

J6
x4

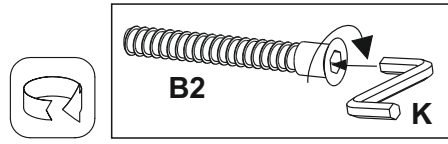
Q3
x8



3




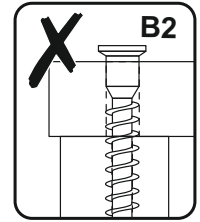
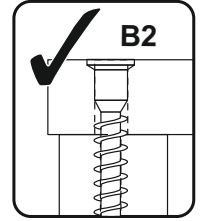
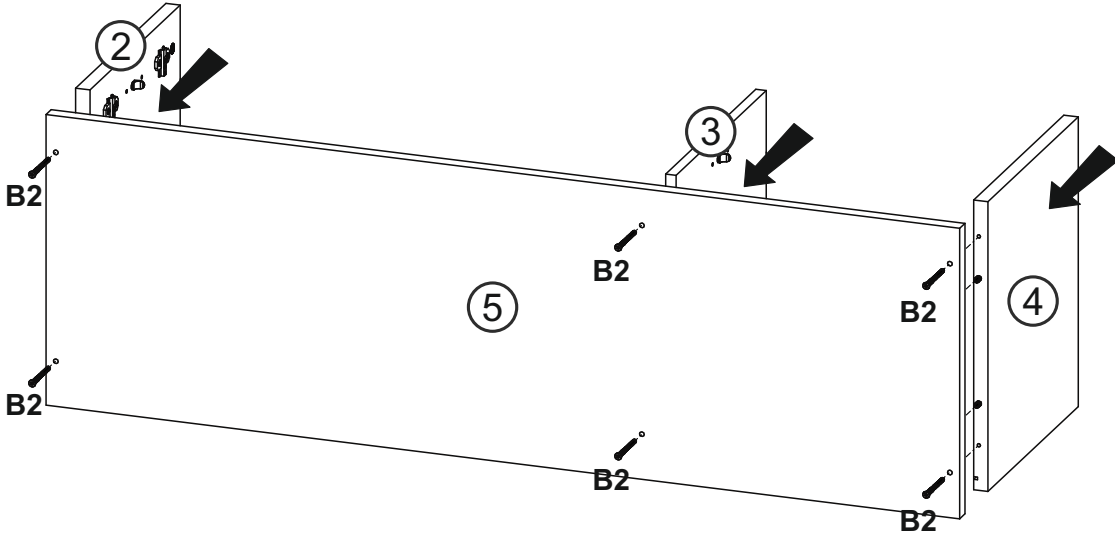
4



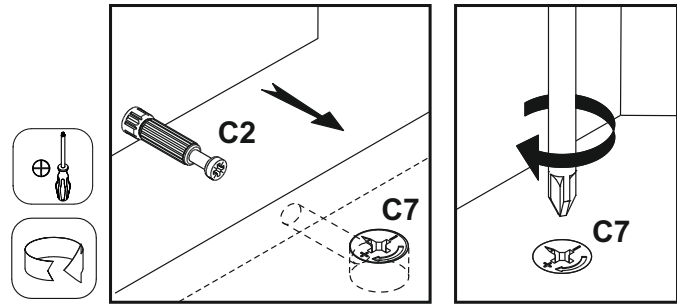
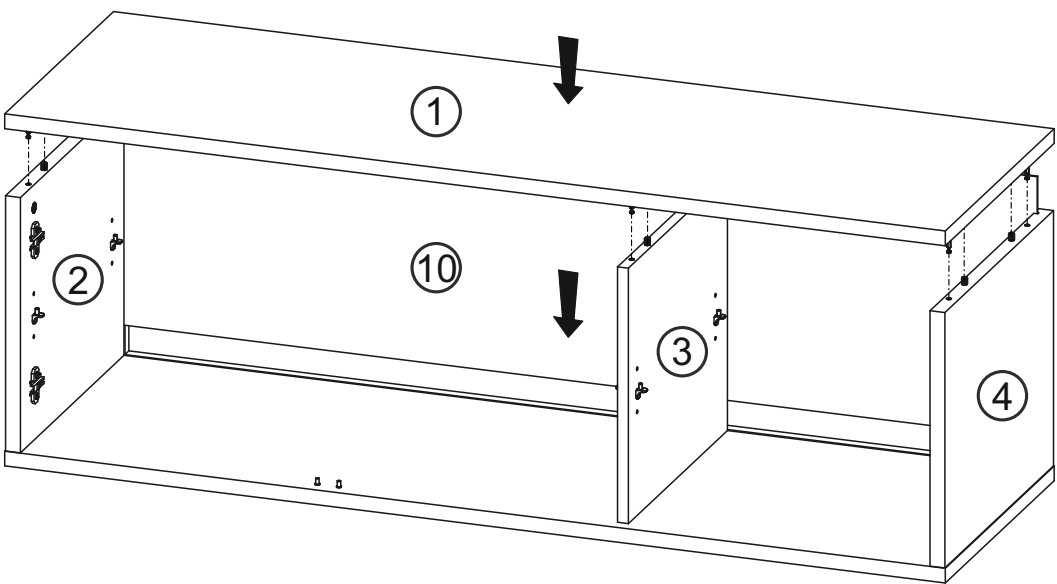
B2

Ø7x70
x6



K

4mm
x1

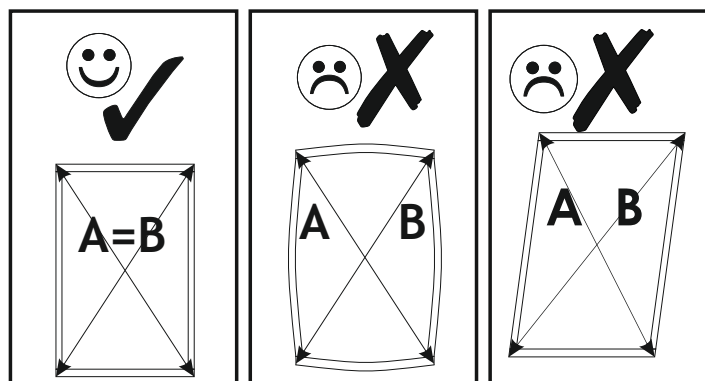
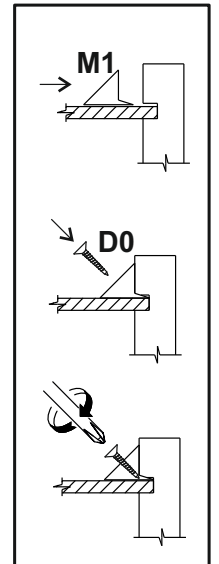
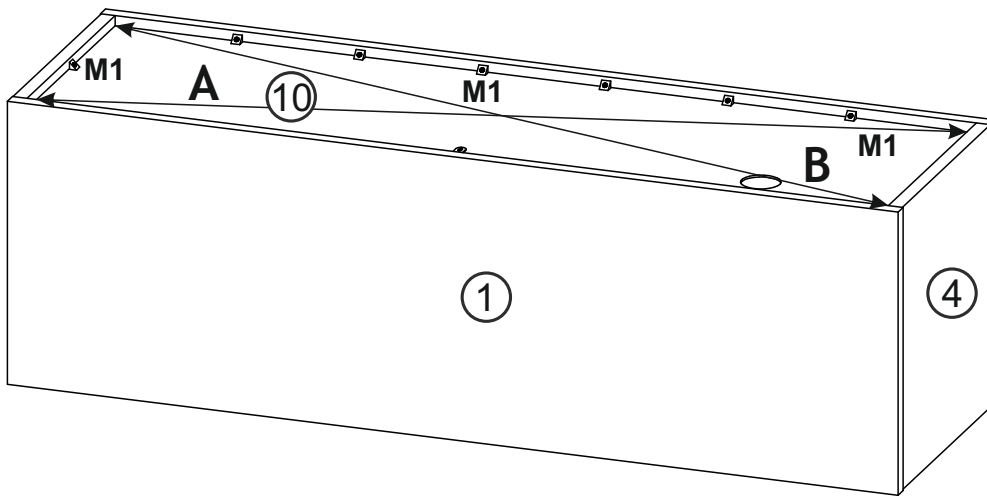


5


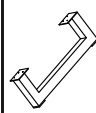


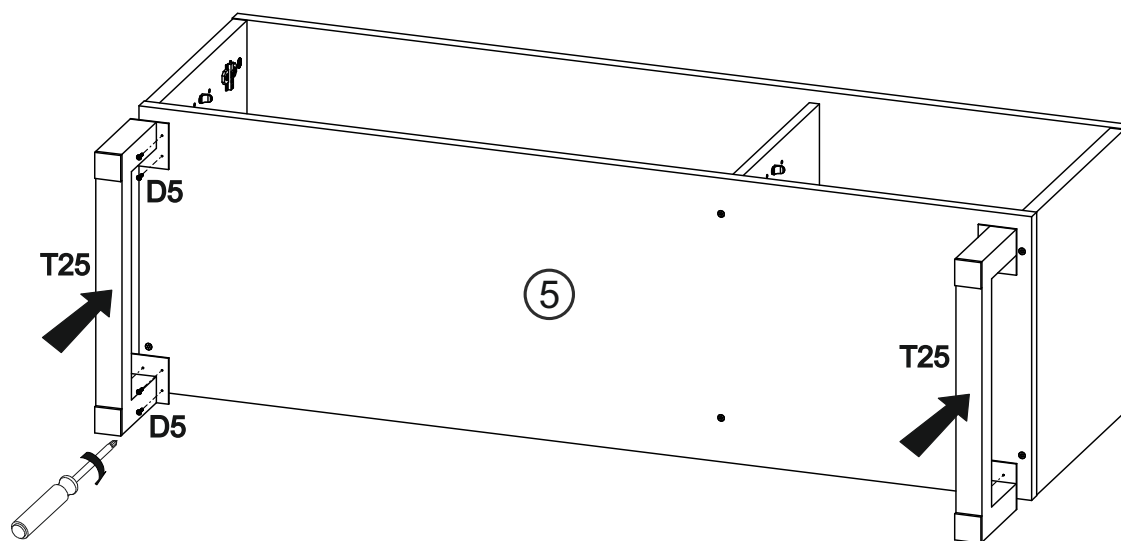
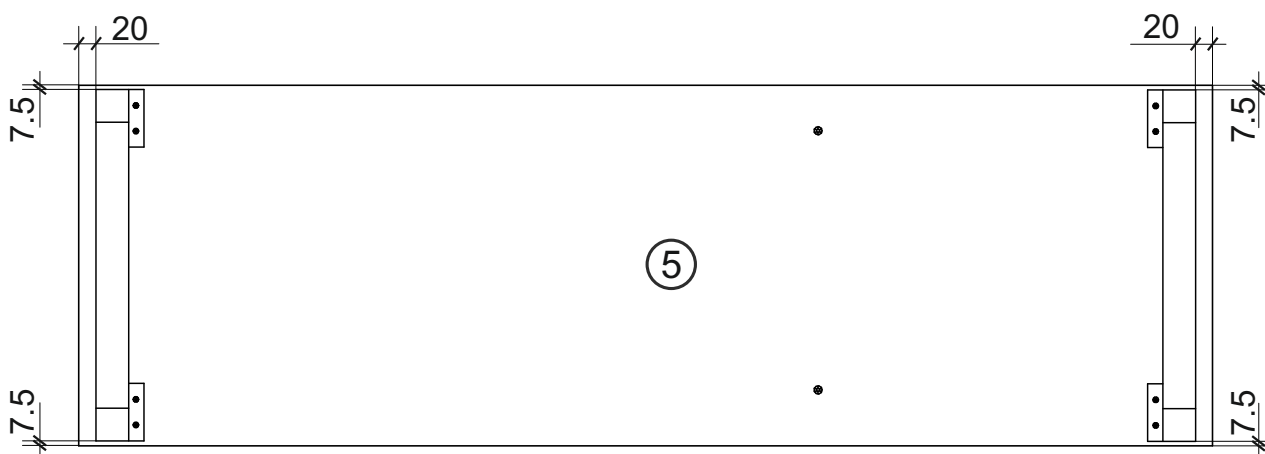
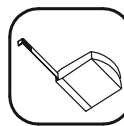
6

D0	M1
	
3x15	
x14	x14

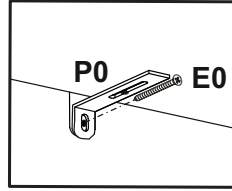
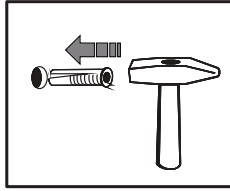
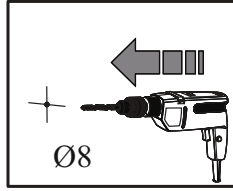
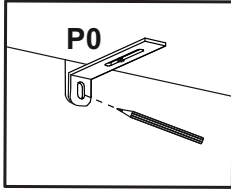


7

D5	T25
	
3,5x16	
x12	x2



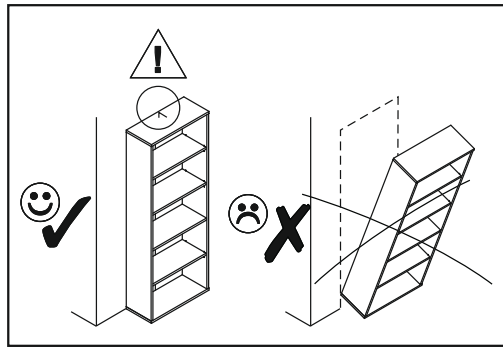
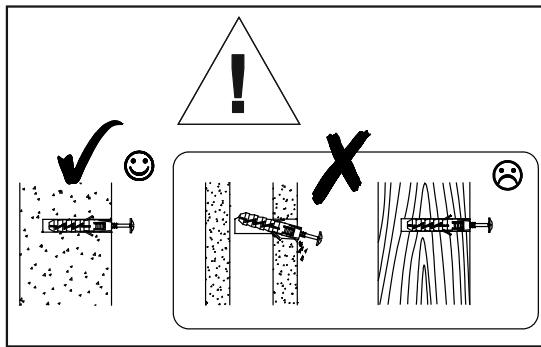
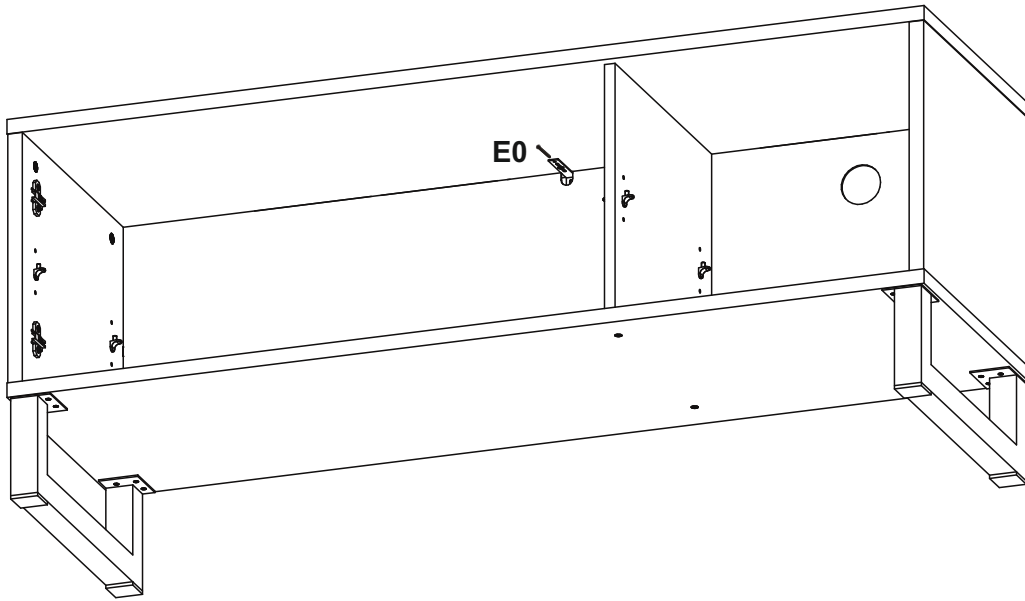
8



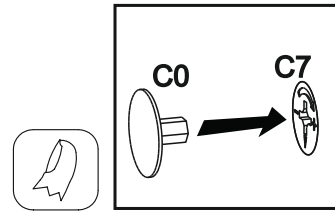
E0

8x50

x1

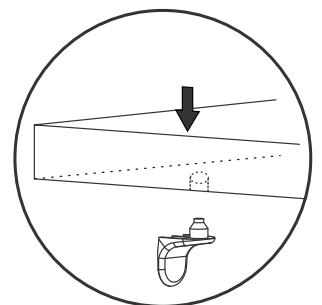
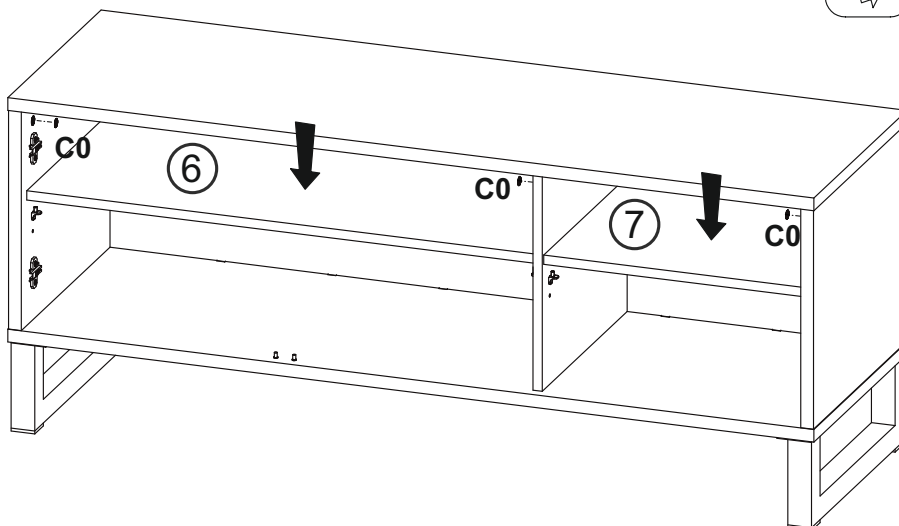


9



C0

x6



10

