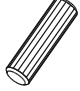






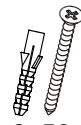




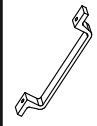


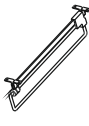
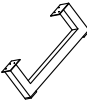

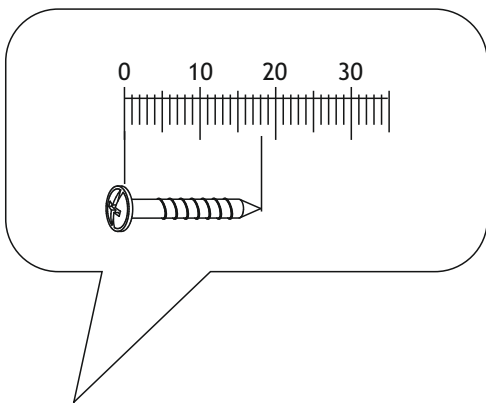



A0	B2	C0	C2	C7	D0	D5	E0	J4	J6	H2
										
∅8x30	∅7x70			16mm	3x15	3,5x16	8x50			4x22
x16	x4	x12	x12	x12	x26	x24	x1	x6	x6	x4

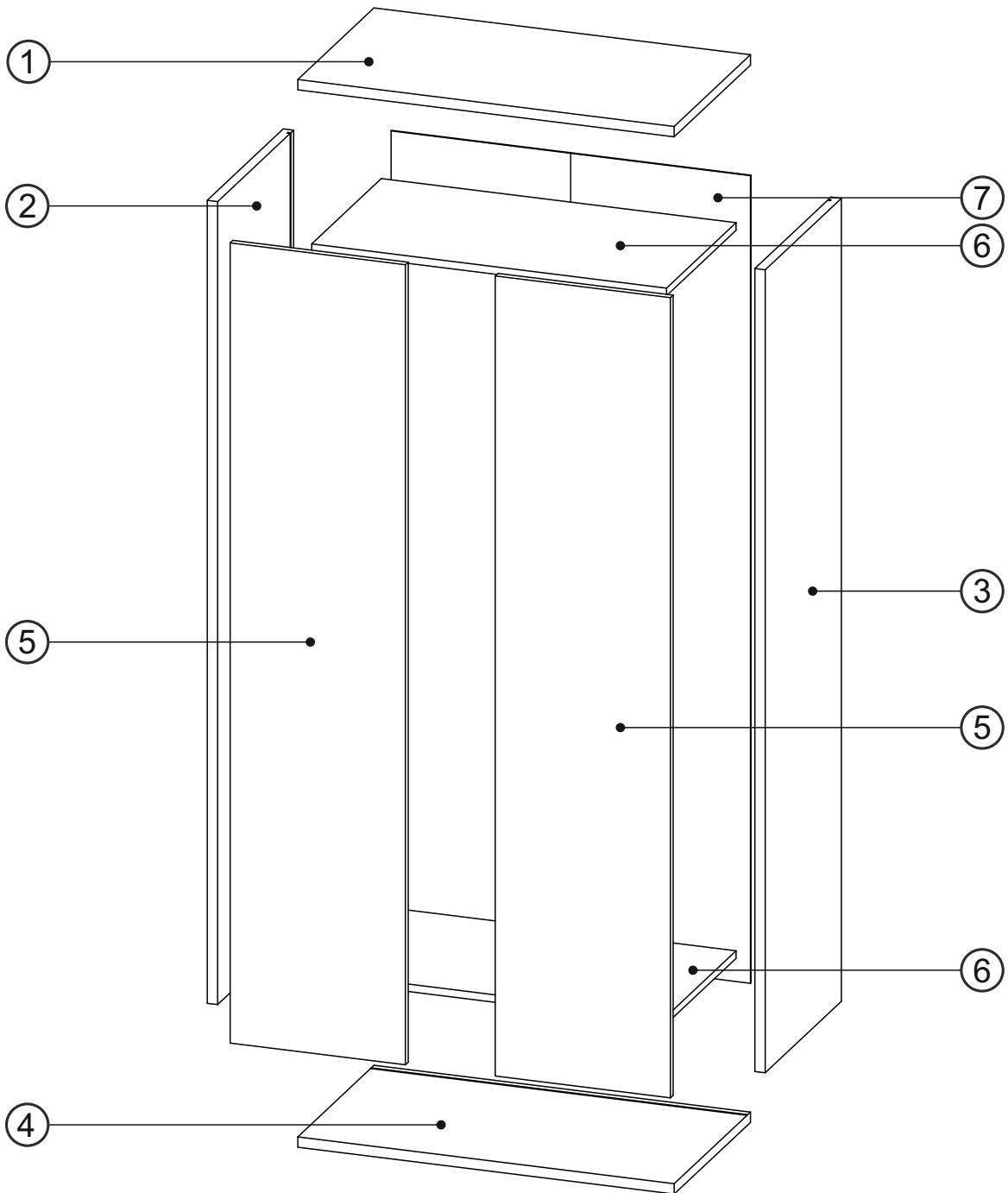
K	L42	M1	P0	P21	T25	U0
						
4mm						
x1	x2	x20	x1	x1	x2	x4



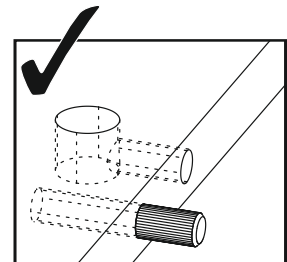
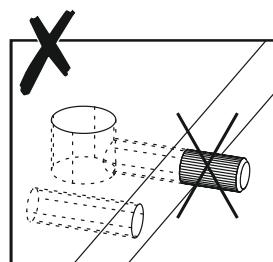
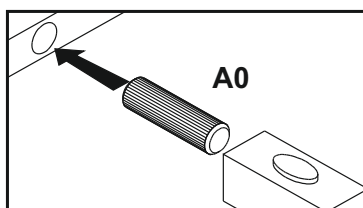
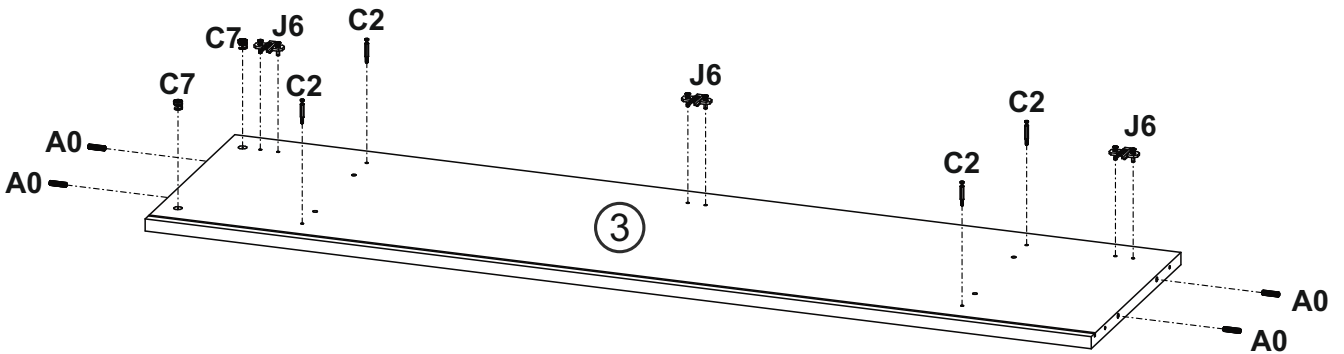
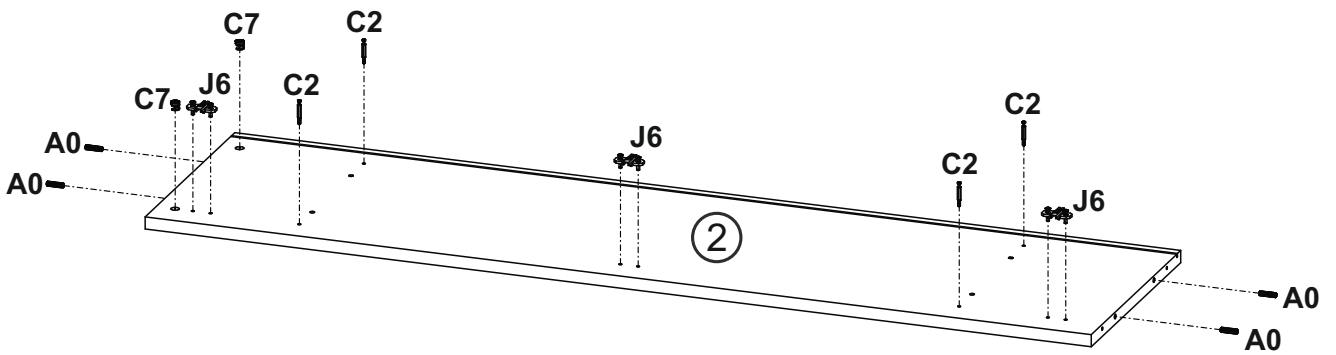
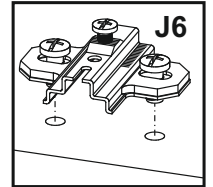
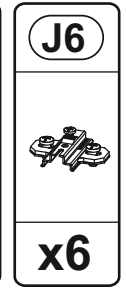
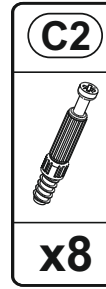
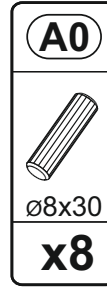
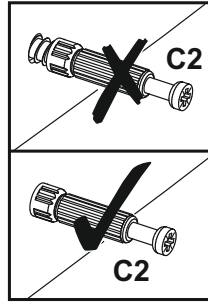
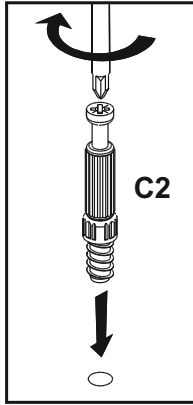
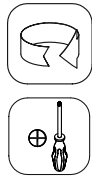
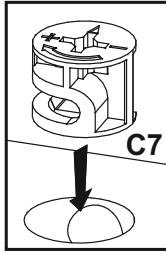
①	800	445	22	x1	3/4
②	1706	444	22	x1	1/4
③	1706	444	22	x1	1/4
④	800	445	22	x1	3/4

⑤	1700	372,5	16	x2	2/4
⑥	754	406	16	x2	3/4
⑦	1716	764	3	x1	1/4

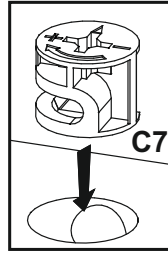
					4/4
---	--	--	--	--	-----



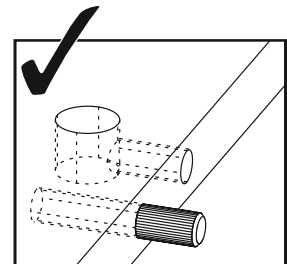
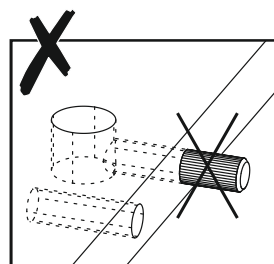
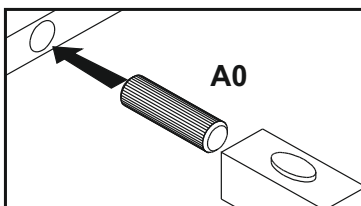
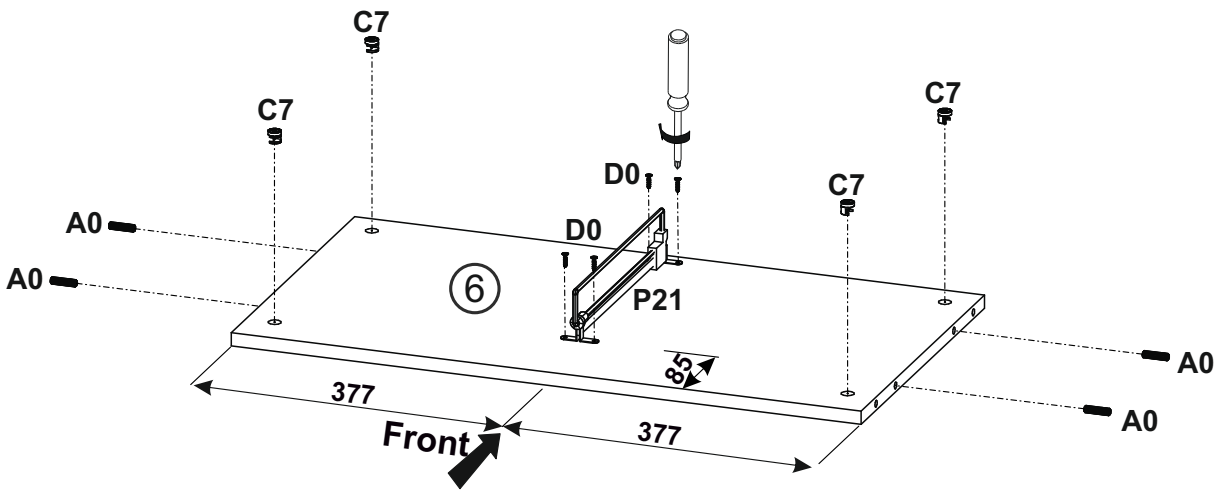
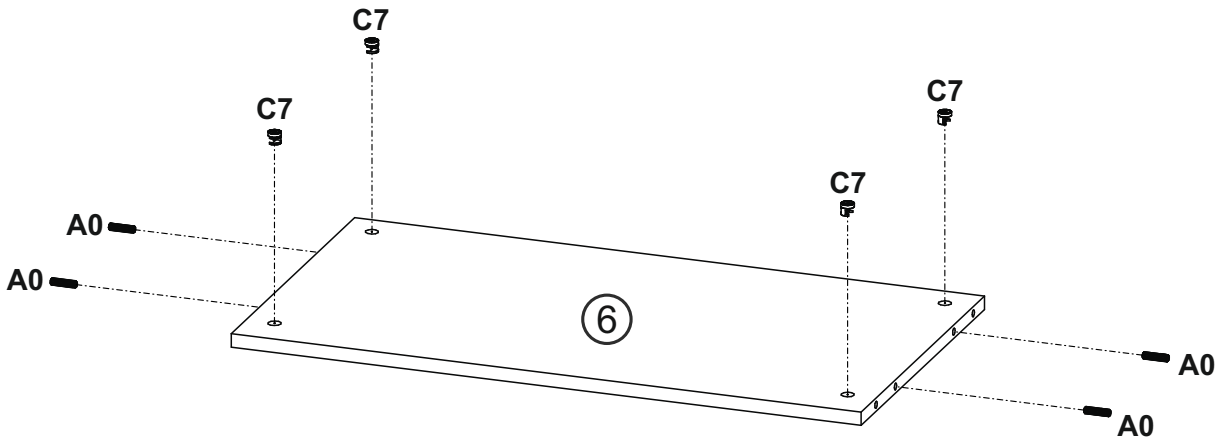
1



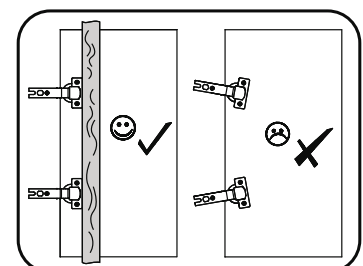
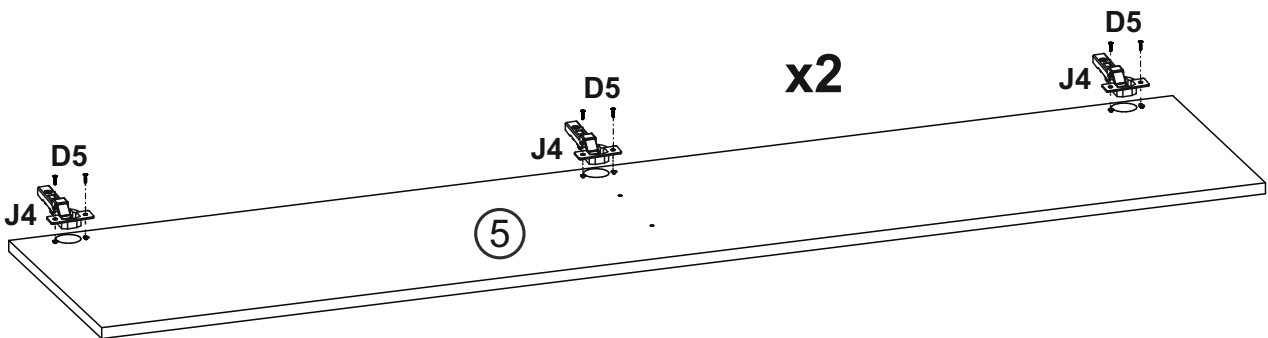
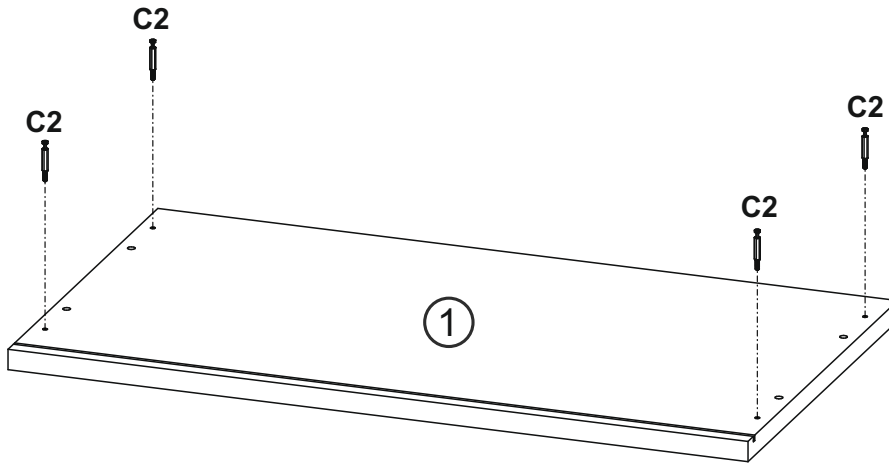
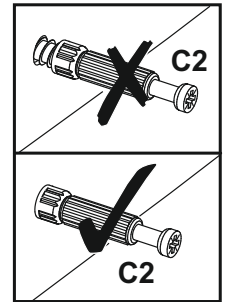
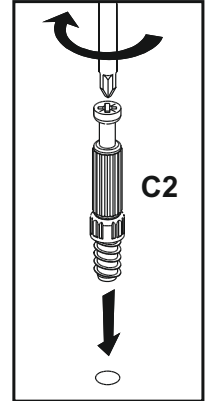
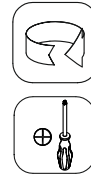
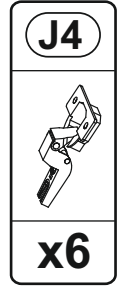
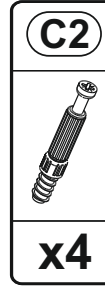
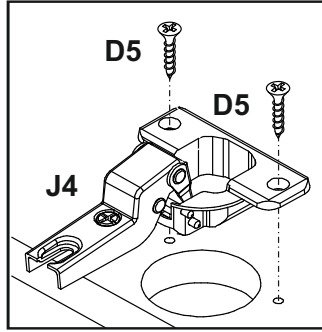
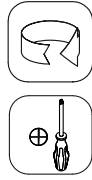
2



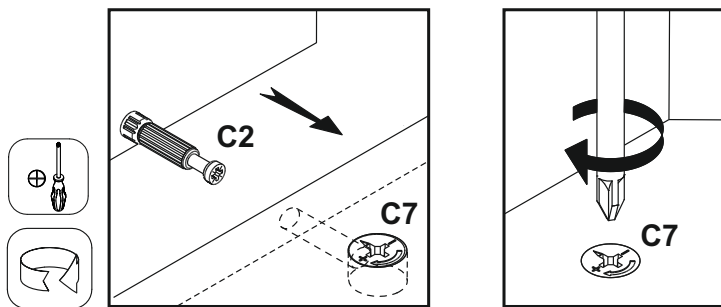
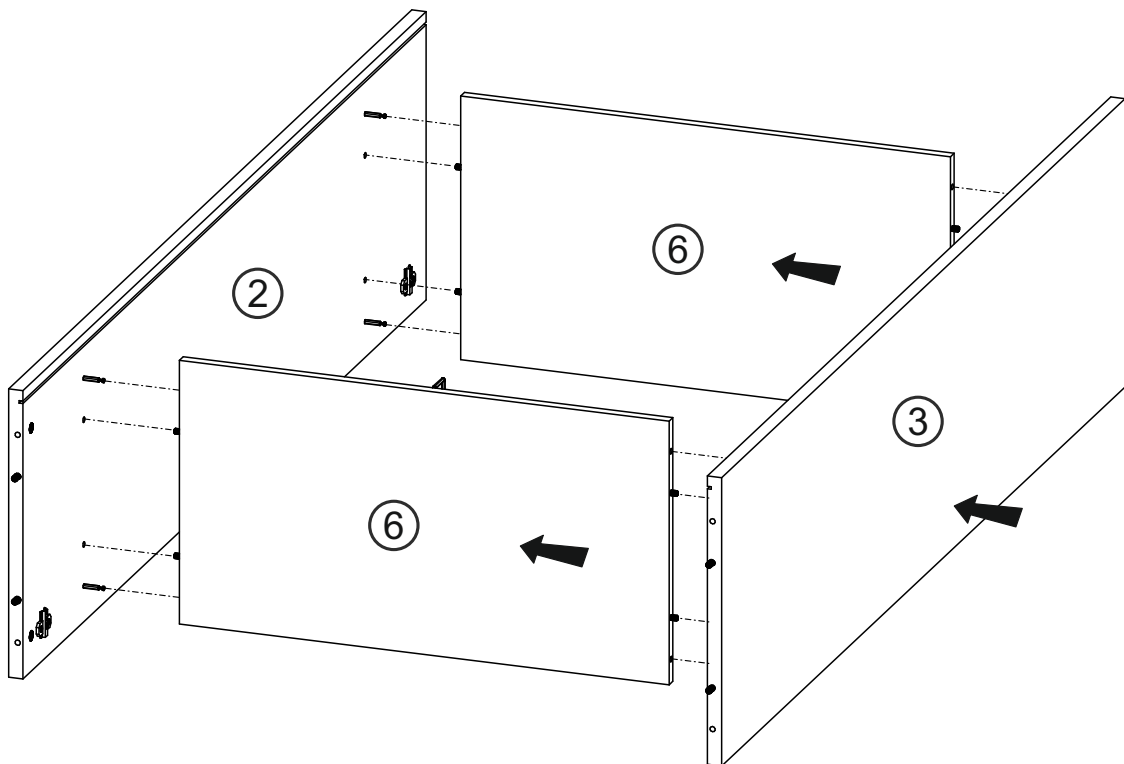
A0 ø8x30 x8	C7 16mm x8	D0 3x15 x4	P21 x1
-------------------------------------	------------------------------------	------------------------------------	-----------------------------



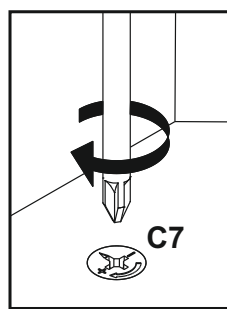
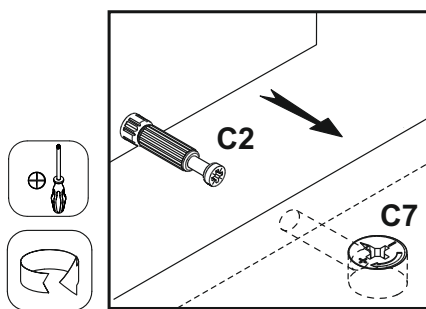
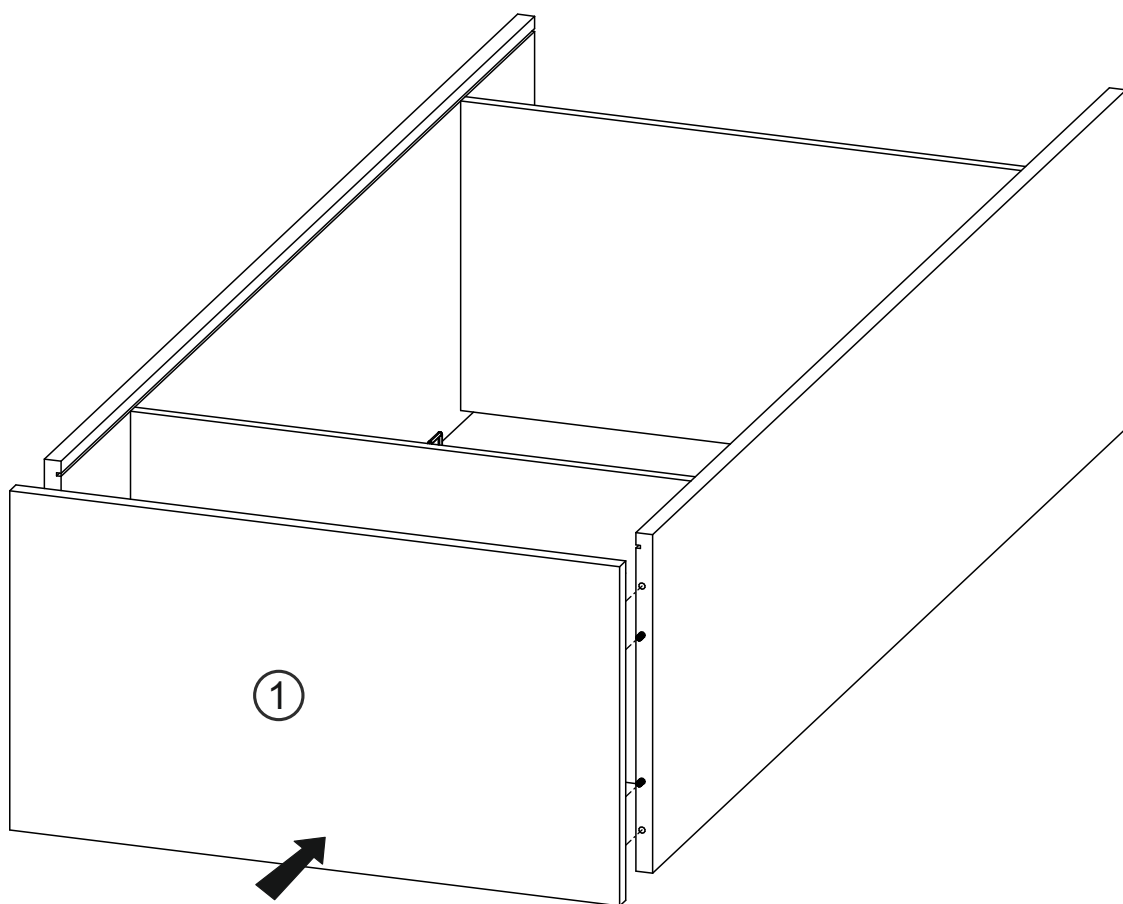
3



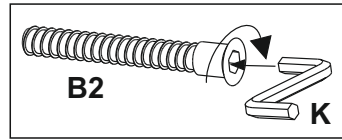
4




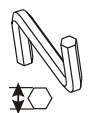
5

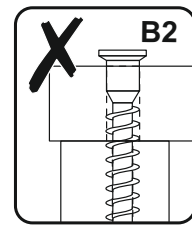
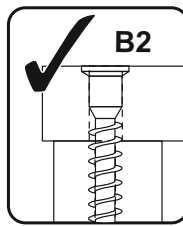
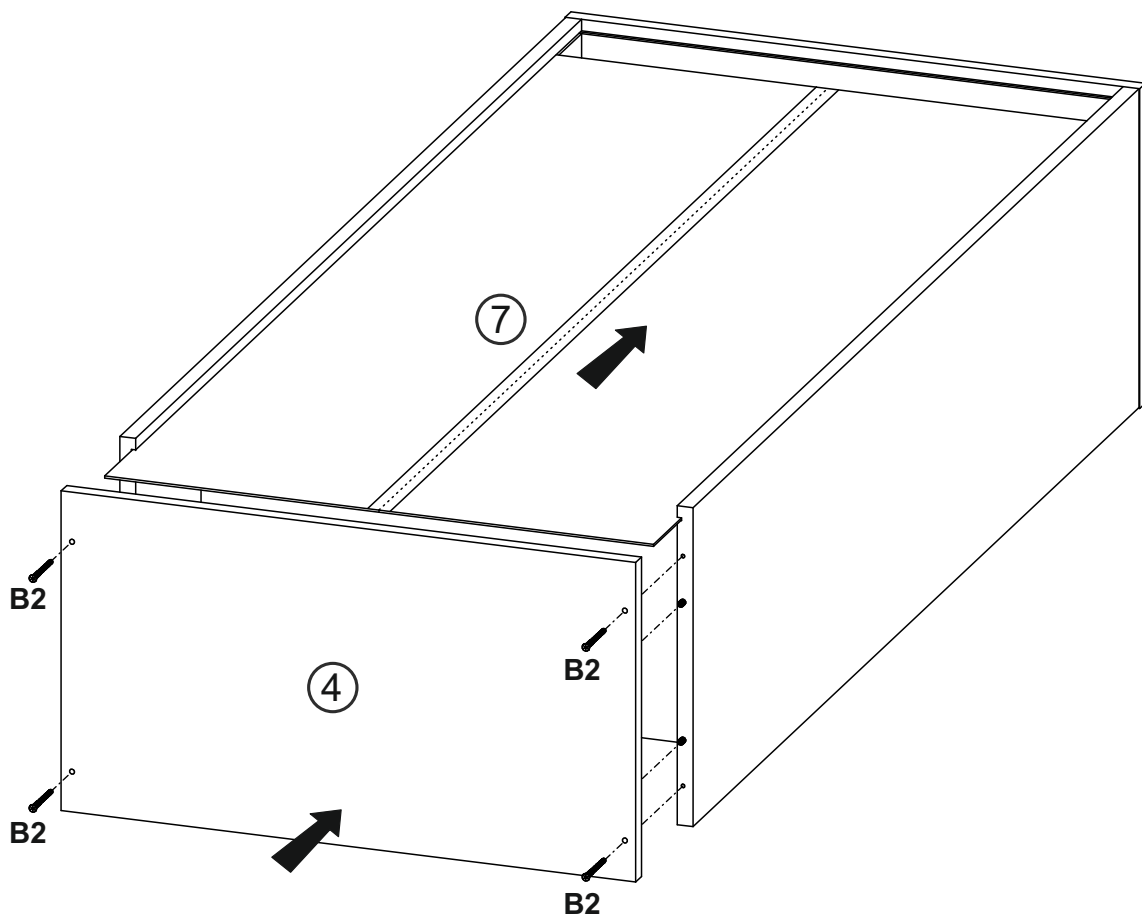


6





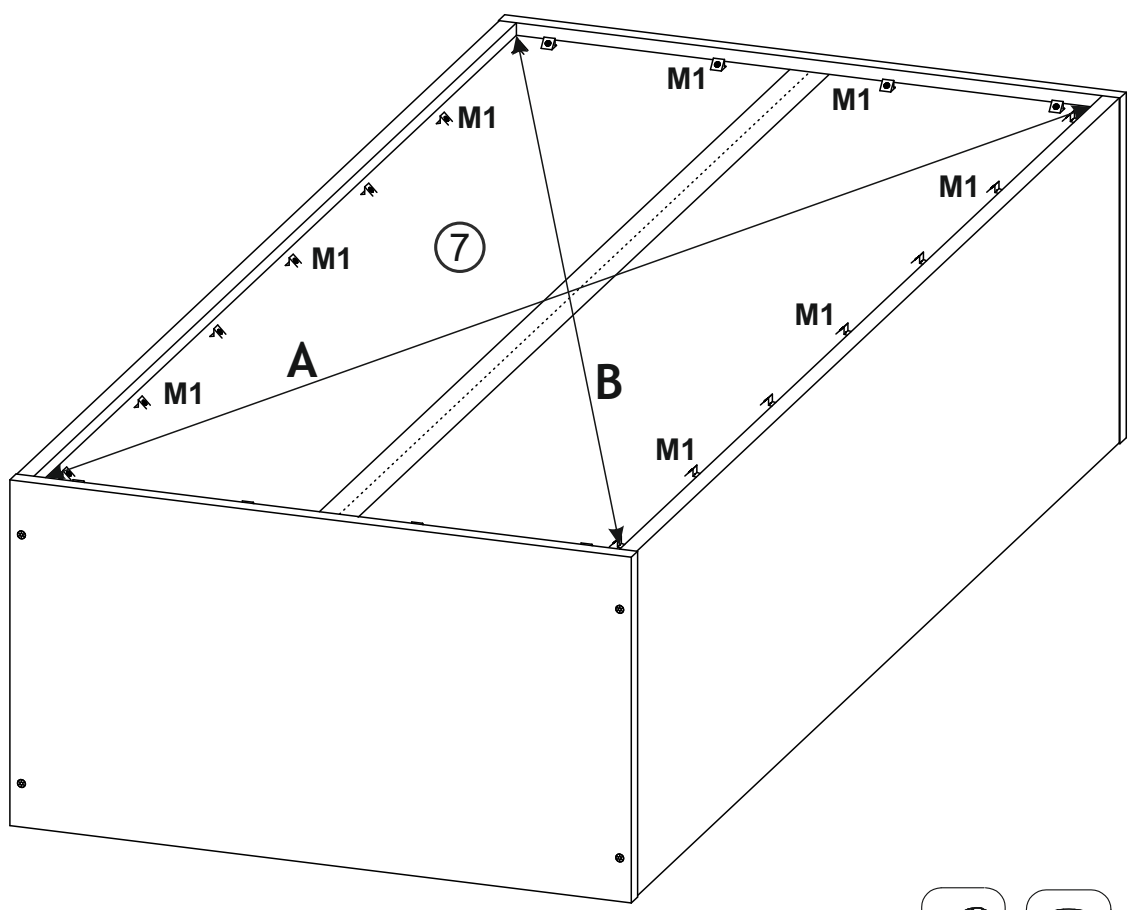
B2
 ø7x70
x4


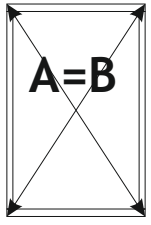

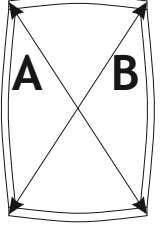

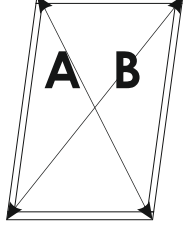
K
 4mm
x1

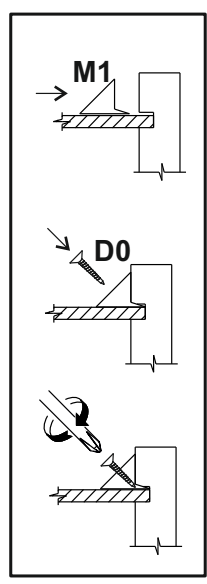


7


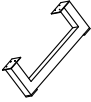
D0	M1
	
3x15	
x20	x20

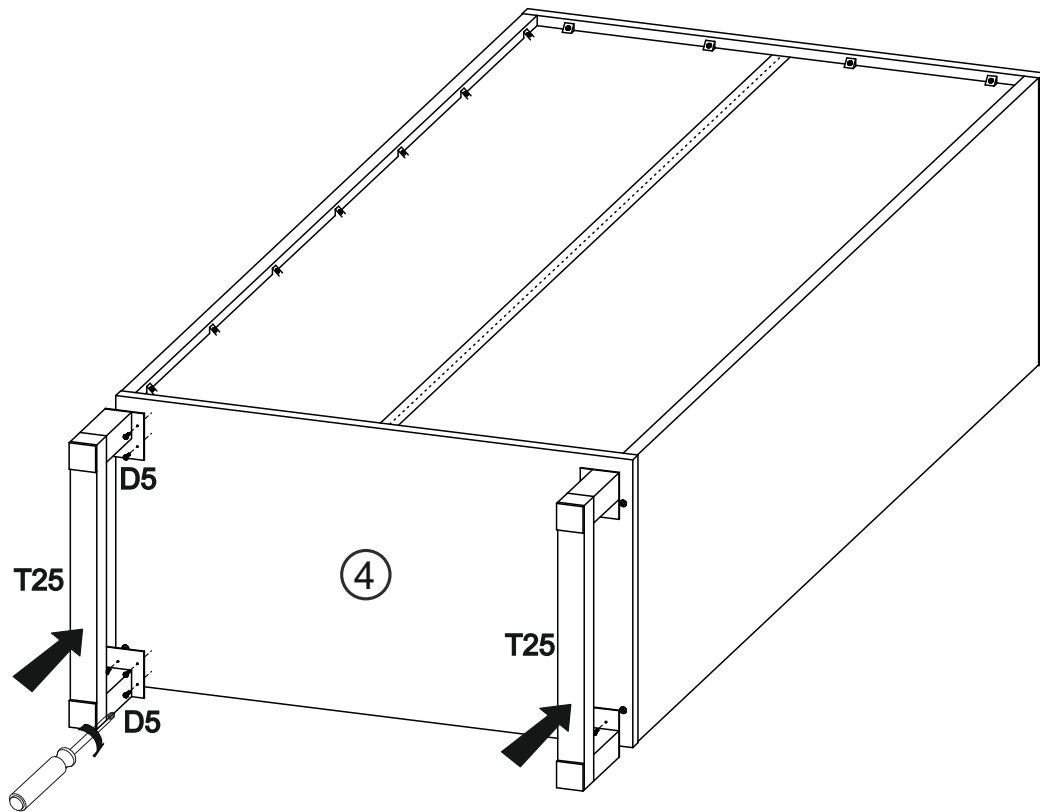
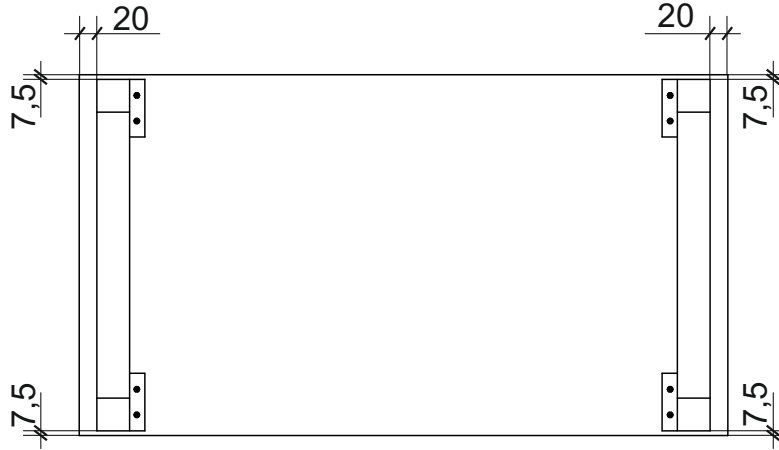
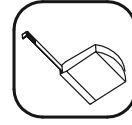


  A=B	  A B	  A B
--	--	--

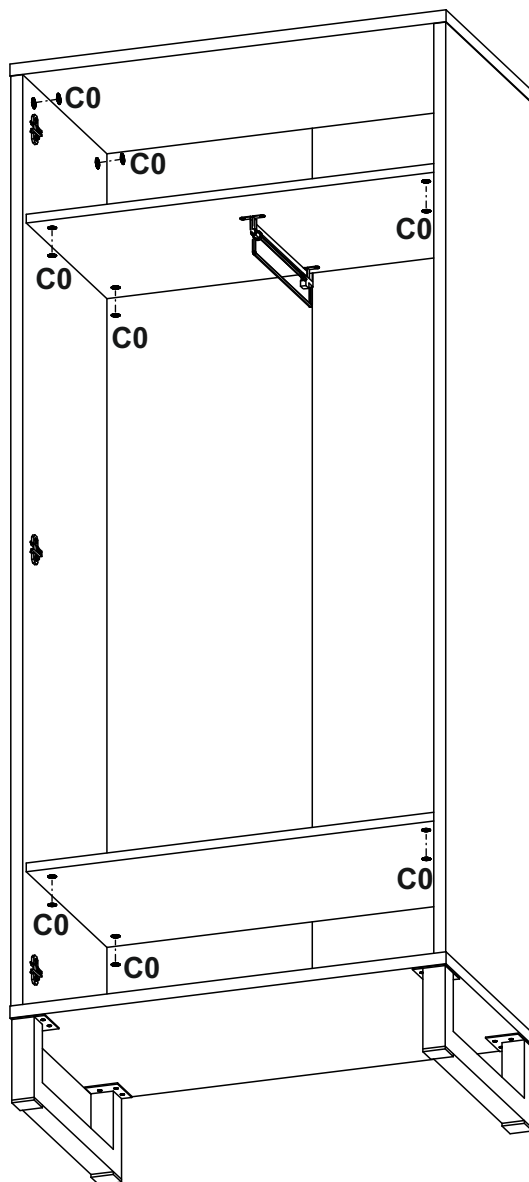
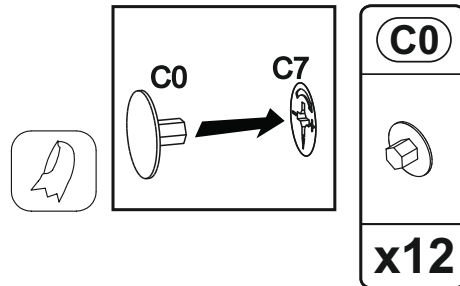


8

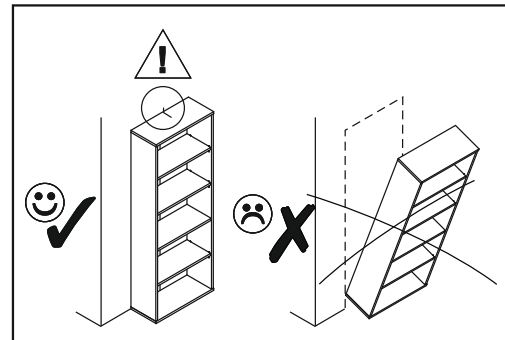
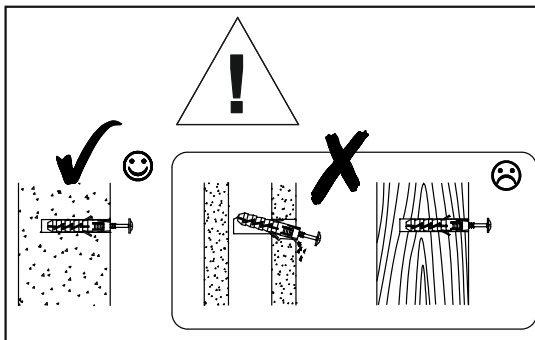
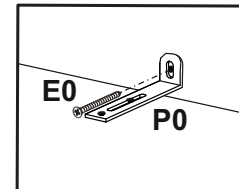
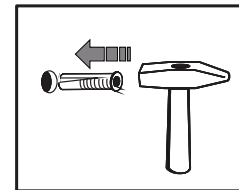
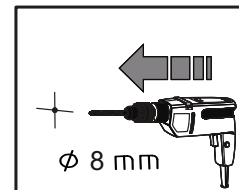
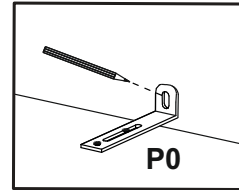
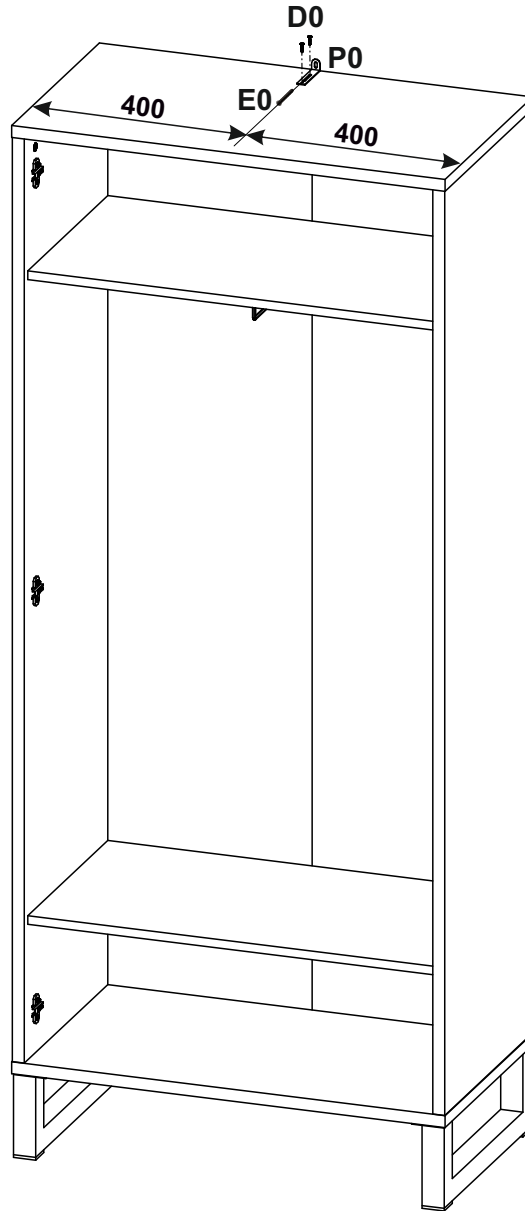
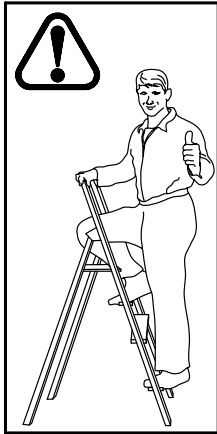
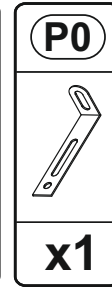
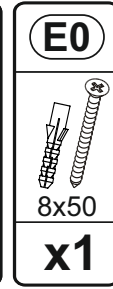
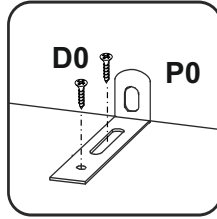
D5	T25
	
3,5x16	
x12	x2

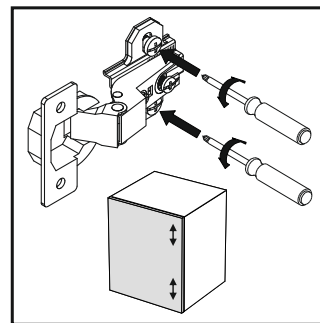
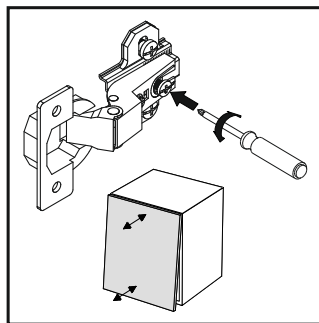
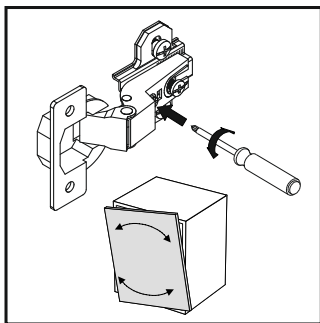
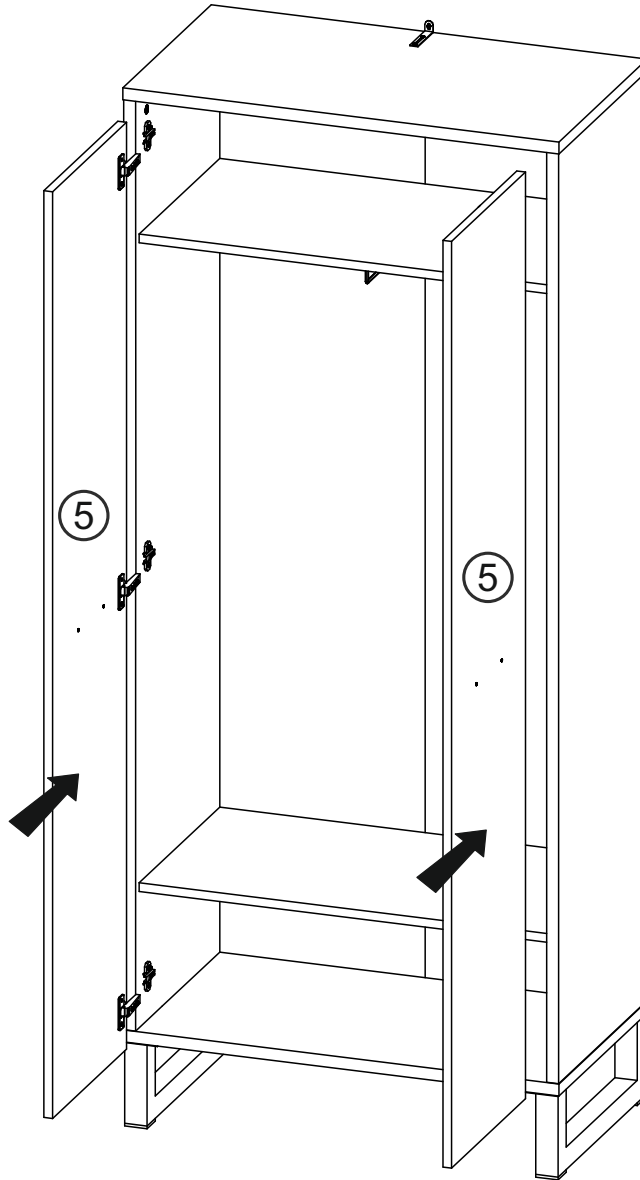
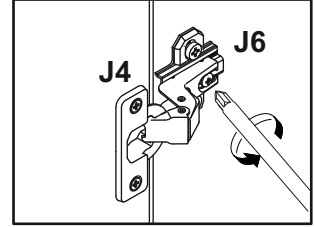
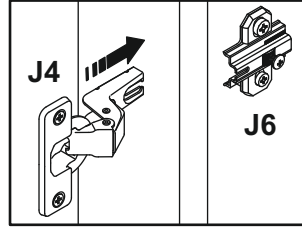


9

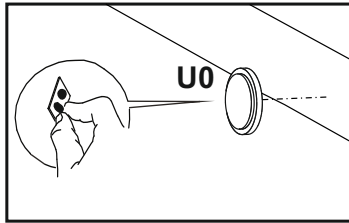



10







12



H2

4x22
x4

L42

x2

U0

x4

