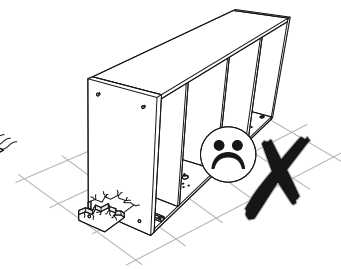
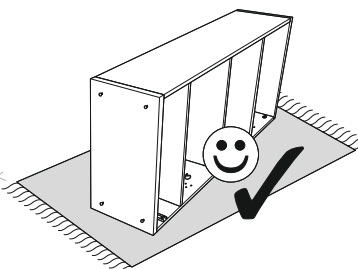
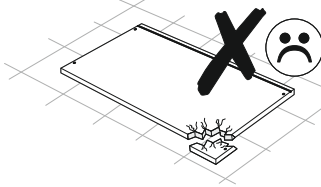
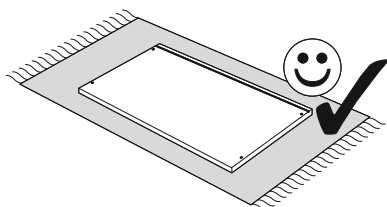
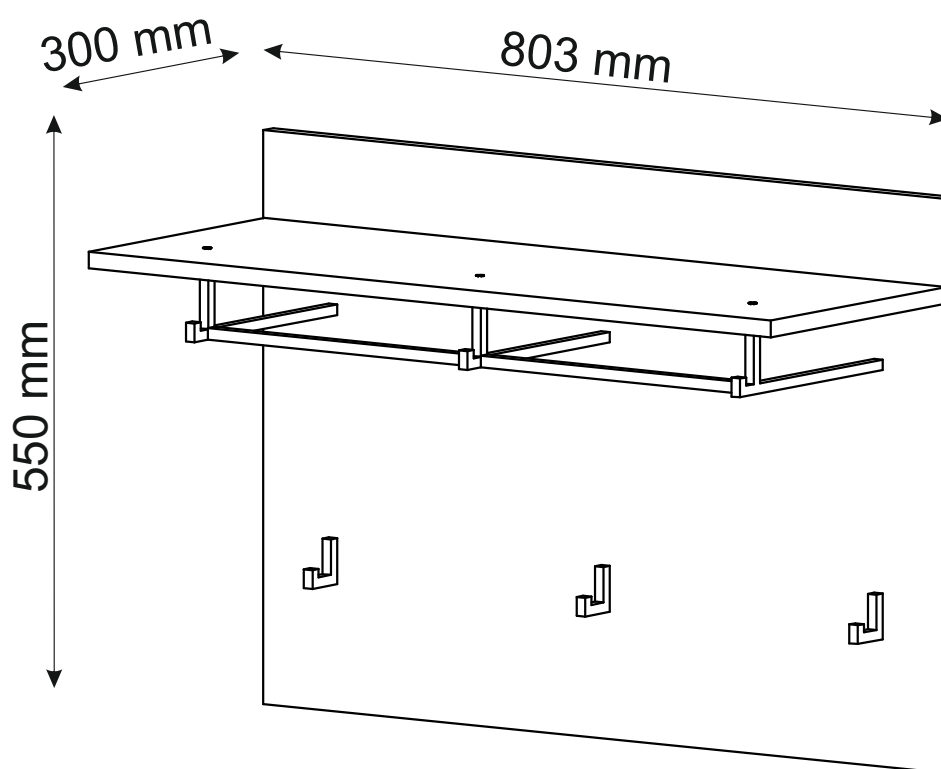
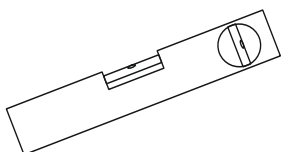
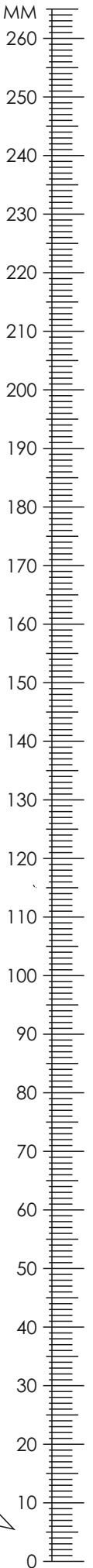


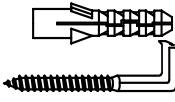

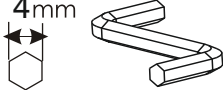

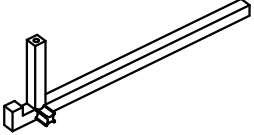
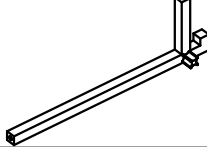
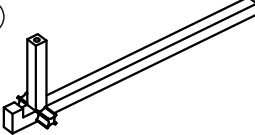
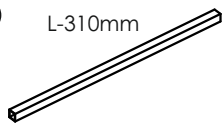
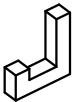
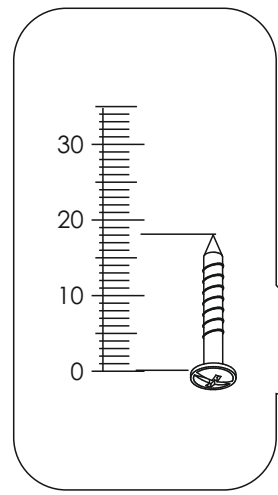


Ø8




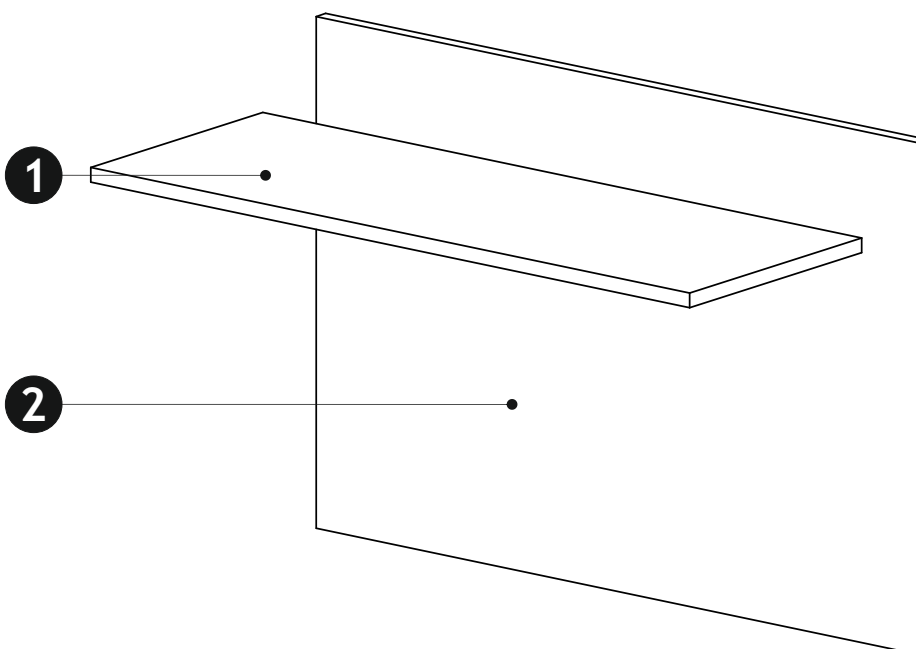


B2 f 7 x 70 mm x5 	D22 5 x 11 mm x4 	E1 8 x 40 mm x2 
H2 4 x 22 mm x12 	K 4mm x1 	P1 x2 
P12 x1 	P13 x1 	P14 x1 
P15 L-310mm x2 	P16 x3 	





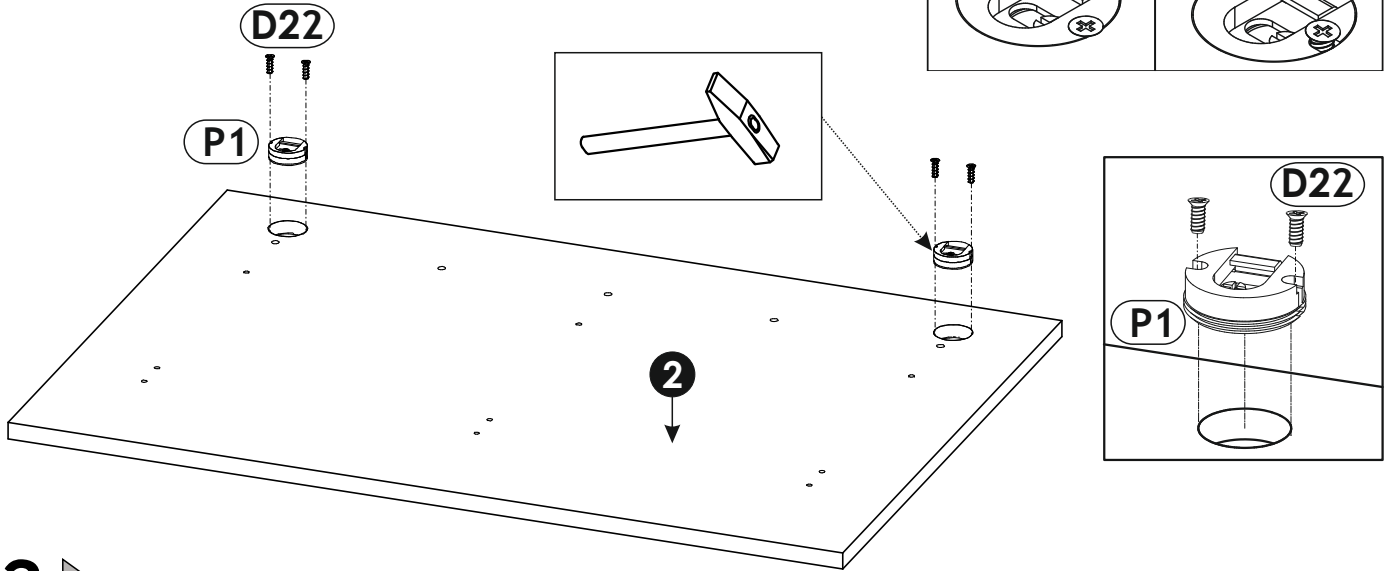
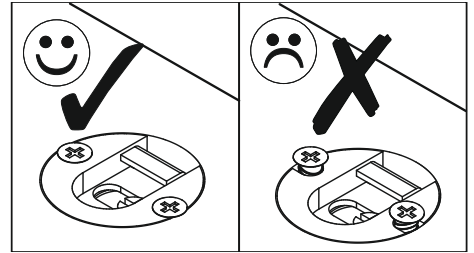


1	800	284	16	x1	1/1
2	803	550	16	x1	1/1
					1/1


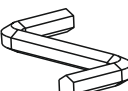


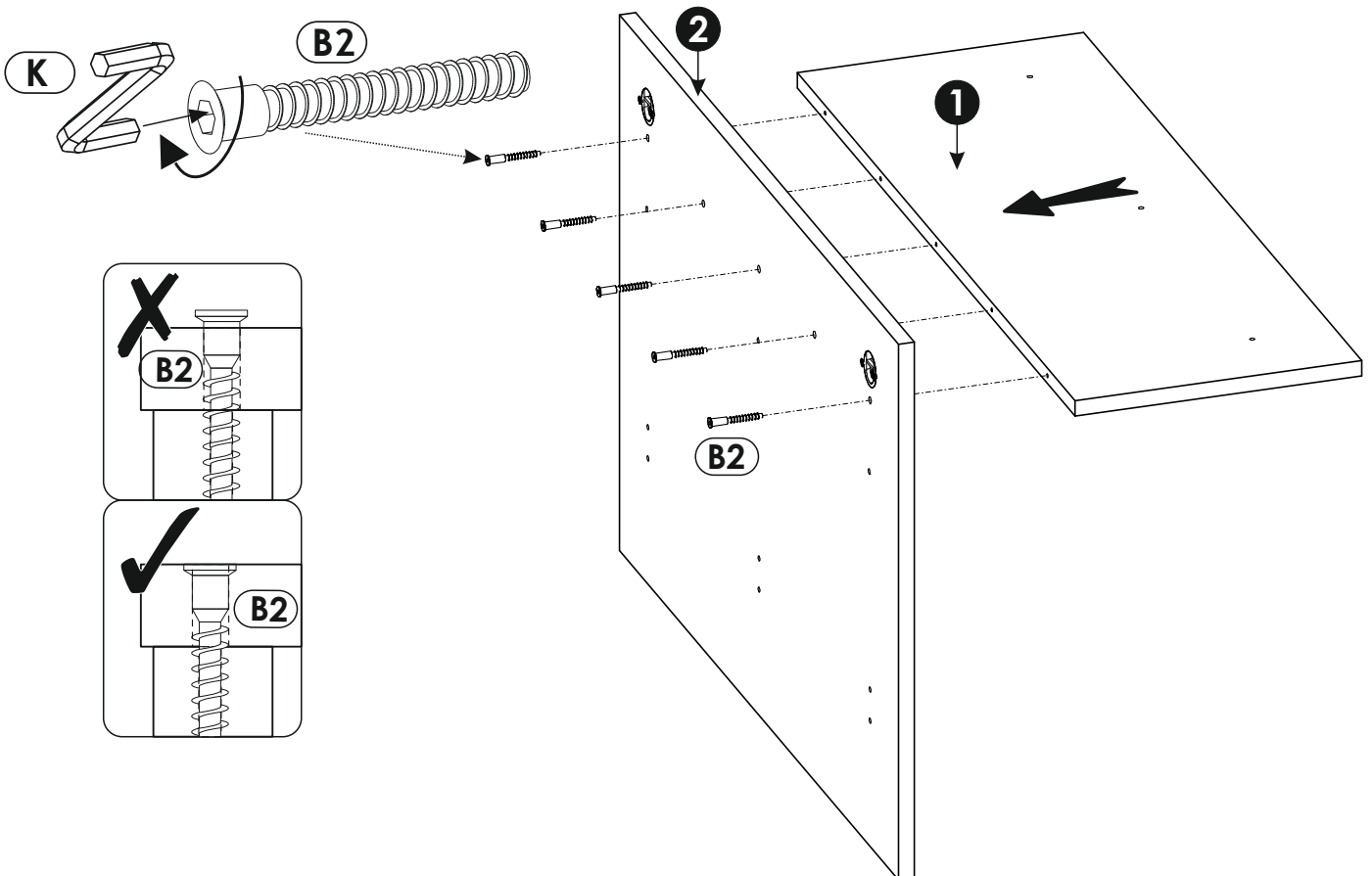
1 ▶

D22 5 x 11 mm 	x4	P1 	x2
--	-----------	--	-----------

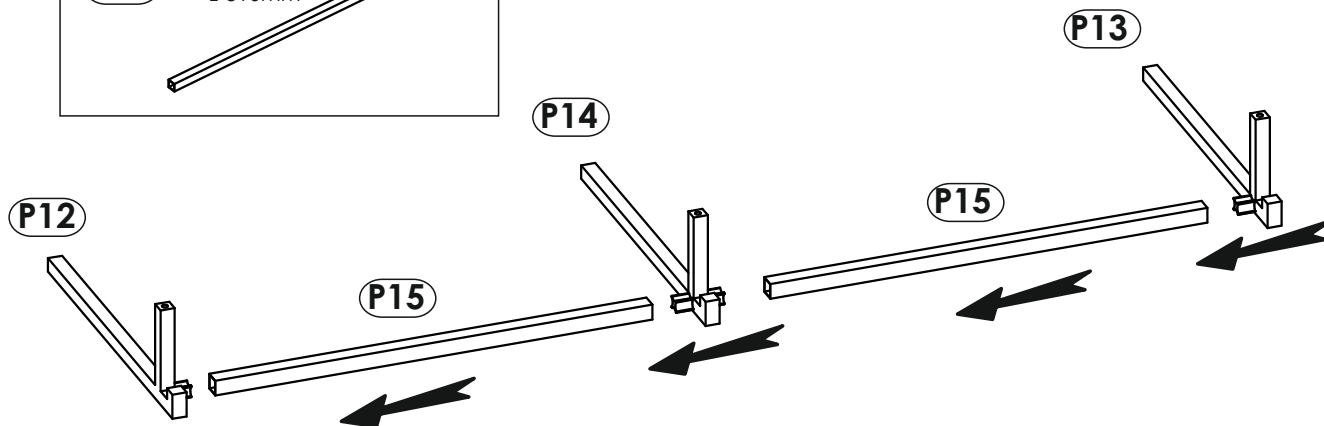
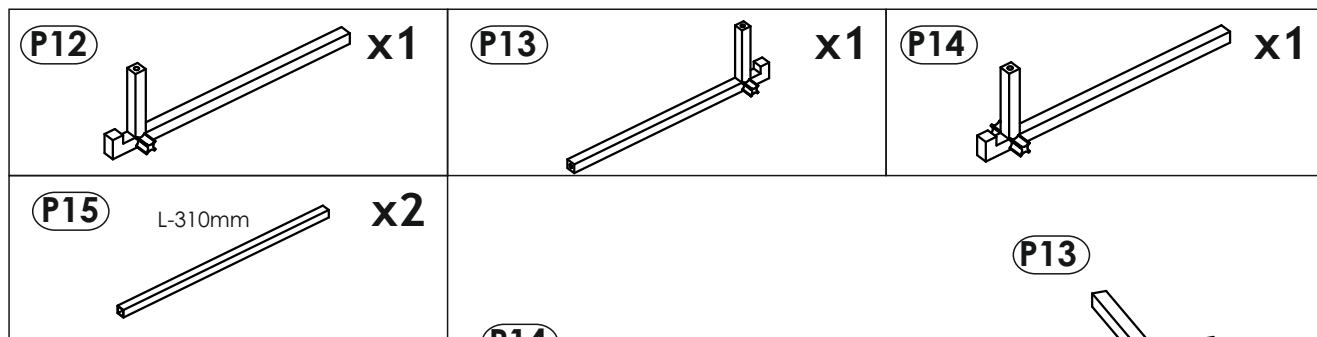


2 ▶

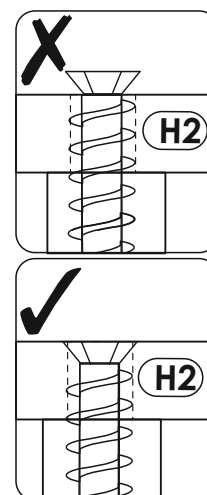
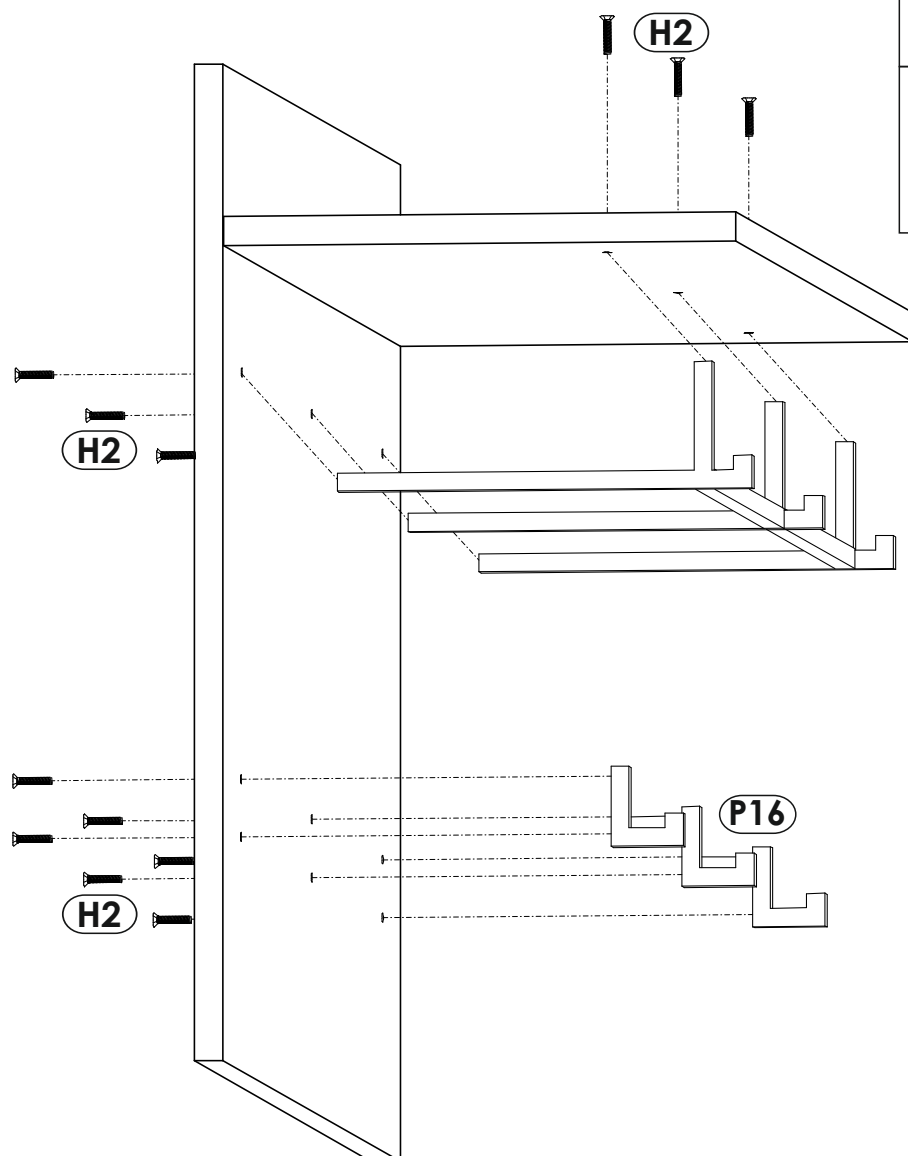
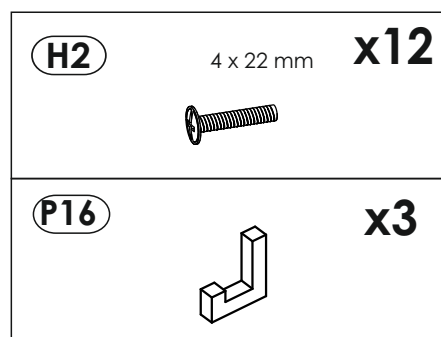
B2 f 7 x 70 mm 	x5	K 4mm 	x1
---	-----------	--	-----------



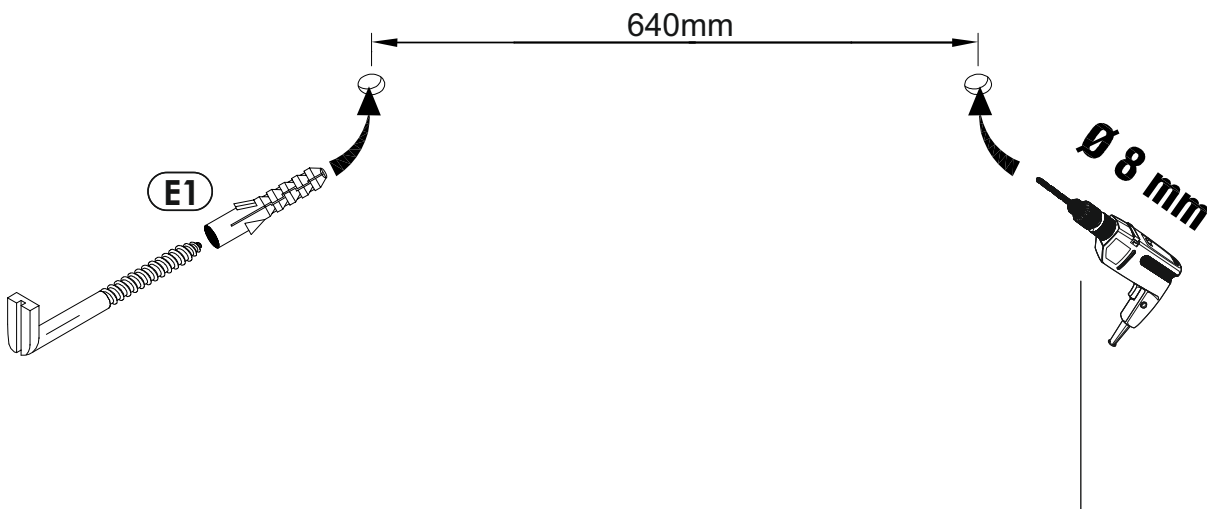
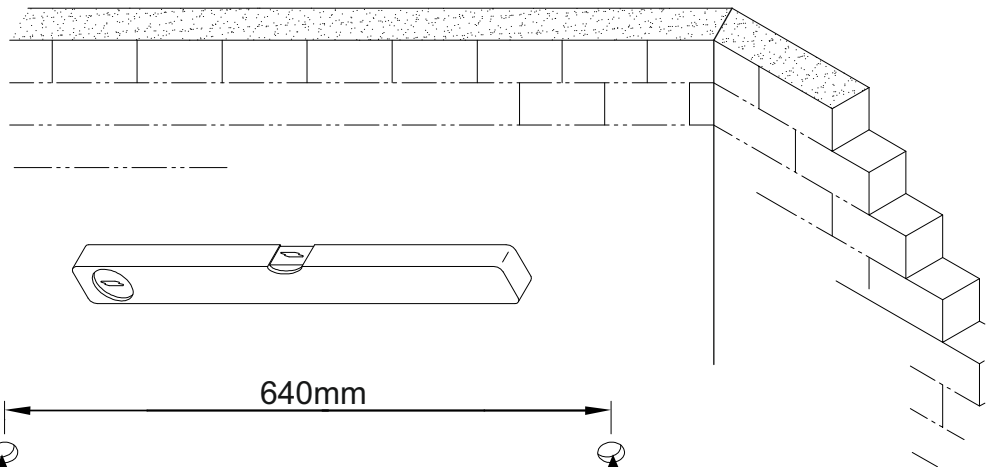
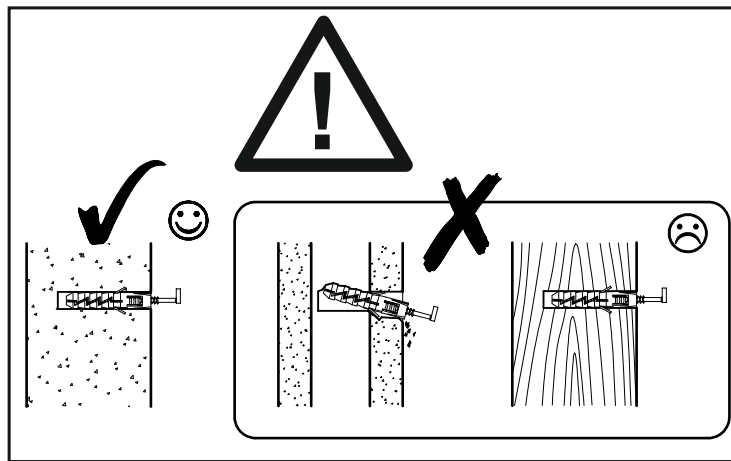
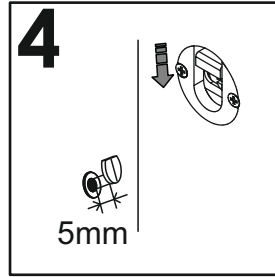
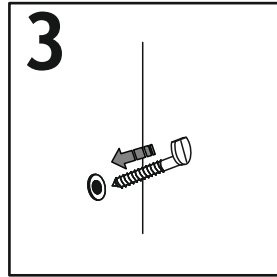
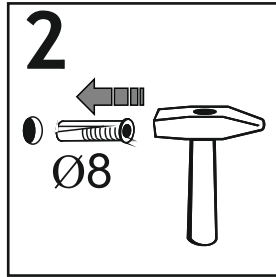
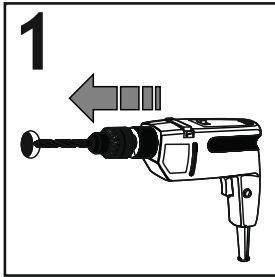
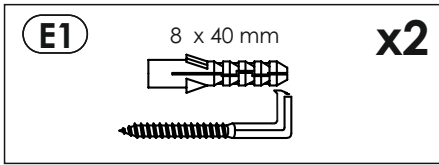
3 ▶



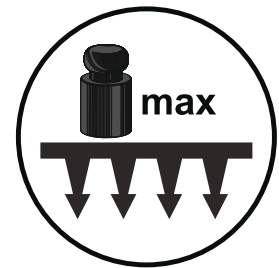
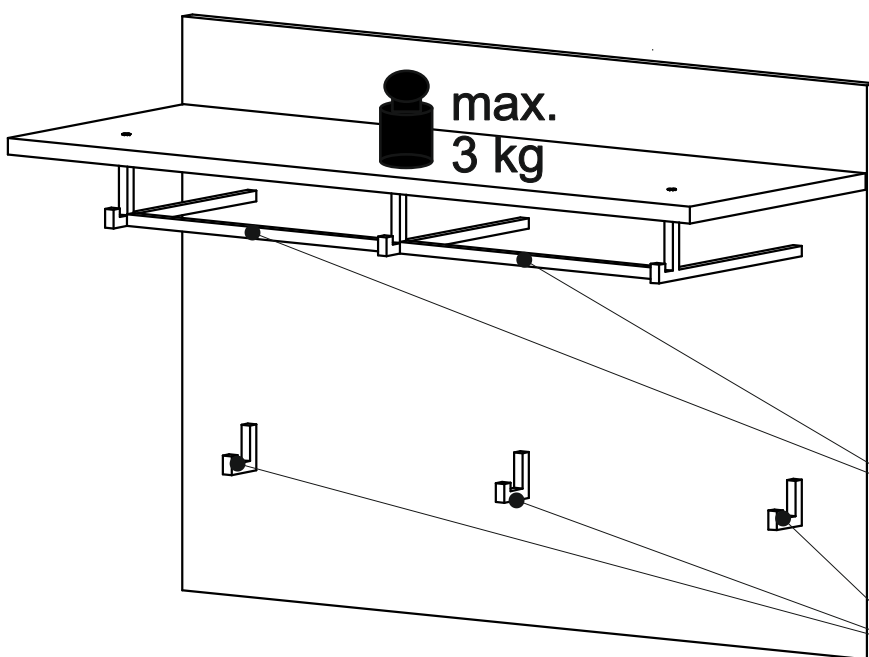
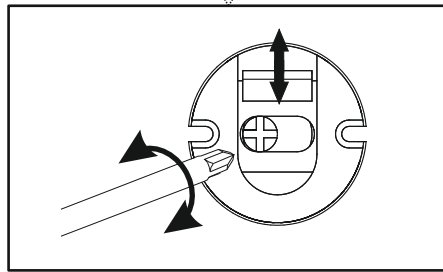
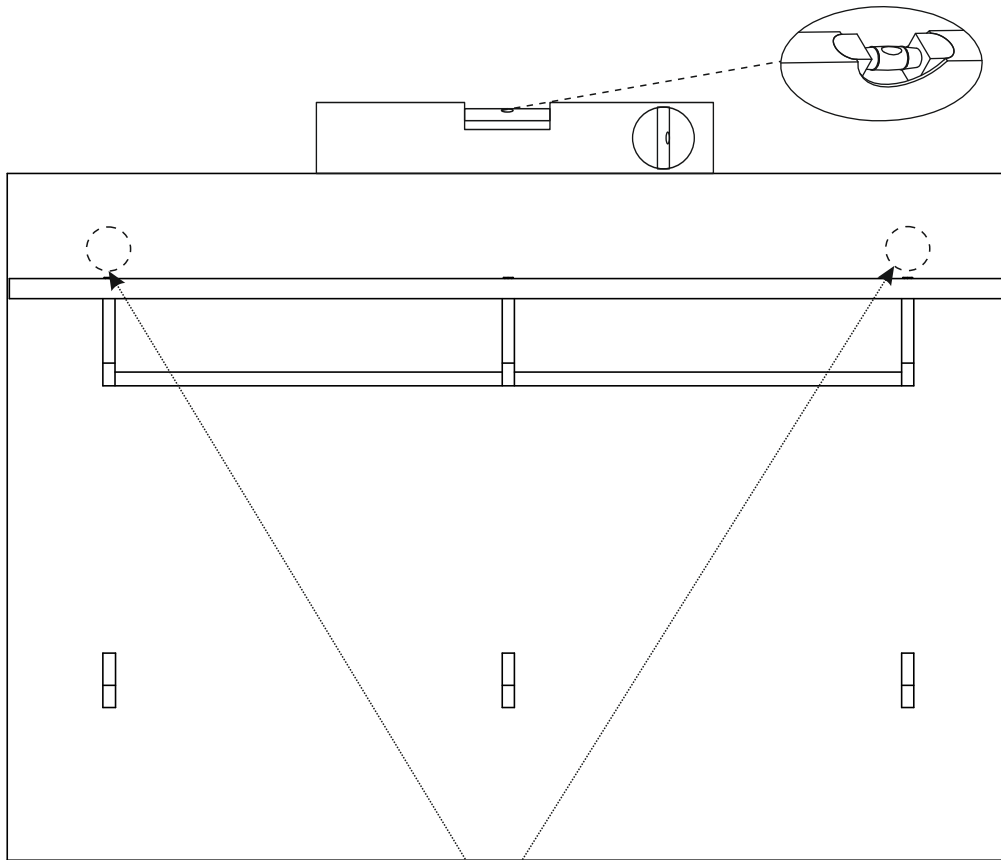
4 ▶



5 ▶



6 ▶



 max.
5 kg

 max.
5 kg