



MM
260

250

240

230

220

210

200

190

180

170

160

150

140

130

120

110

100

90

80

70

60

50

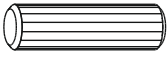


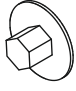



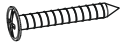
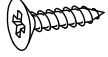


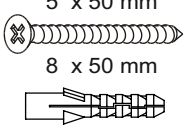
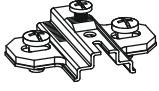
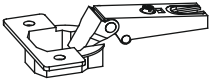
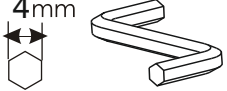
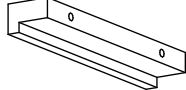

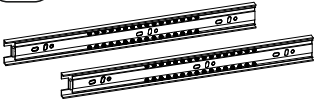
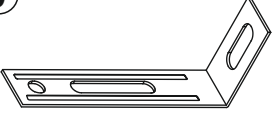
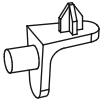



40

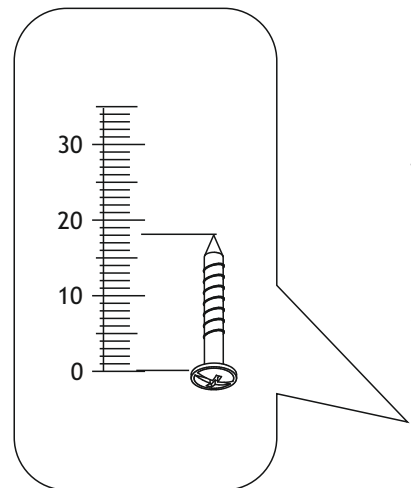
30

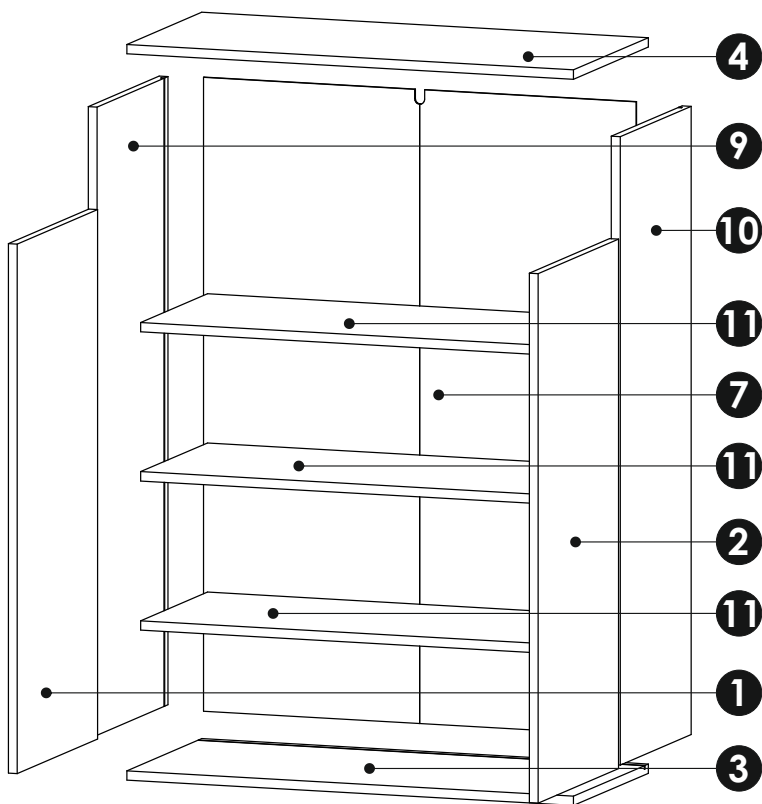
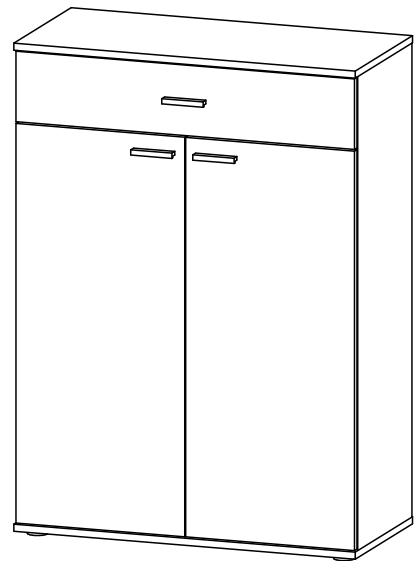
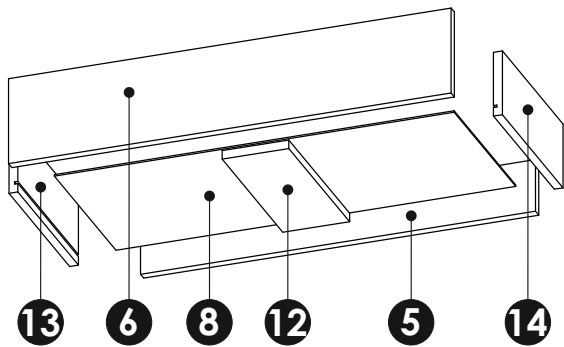
20

10


0

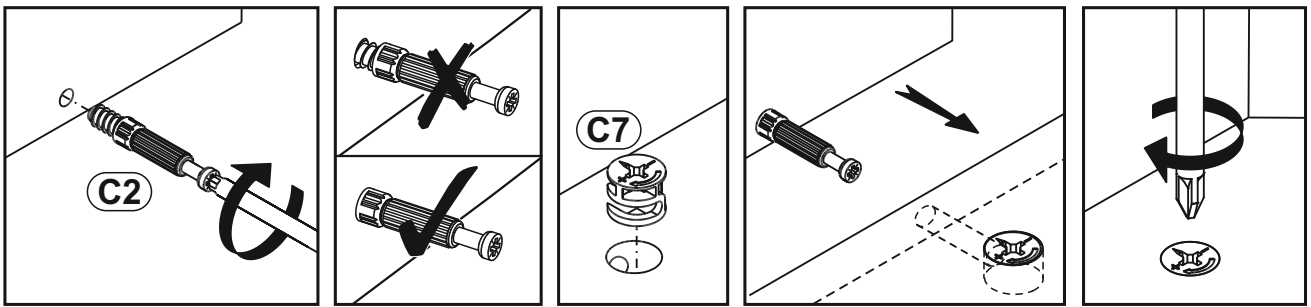
A0 8 x 30mm  x16	B0  x2	B1 f 7 x 50 mm  x6
C0  x4 x2	C2  x7	C7 16mm  x7
D0 3 x 15 mm  x22	D7 3,5 x 27 mm  x6	D10 4 x 16 mm  x8
D15 4 x 45 mm  x2	D21 5 x 13 mm  x13	E0 5 x 50 mm 8 x 50 mm  x1
J6  x4	J8  x4	K 4mm  x1
L1  x3	M1  x22	N6 L-300  x1
P0  x1	Q3  x12	T8  x10
T11  x5	U0  x4	






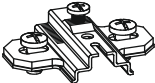
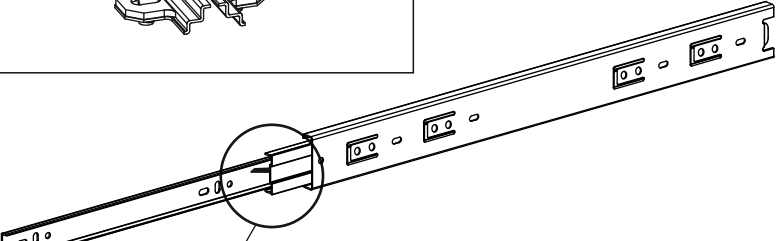
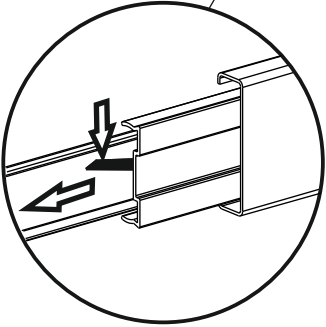
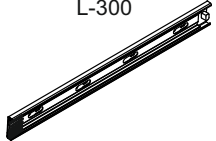
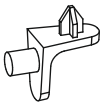


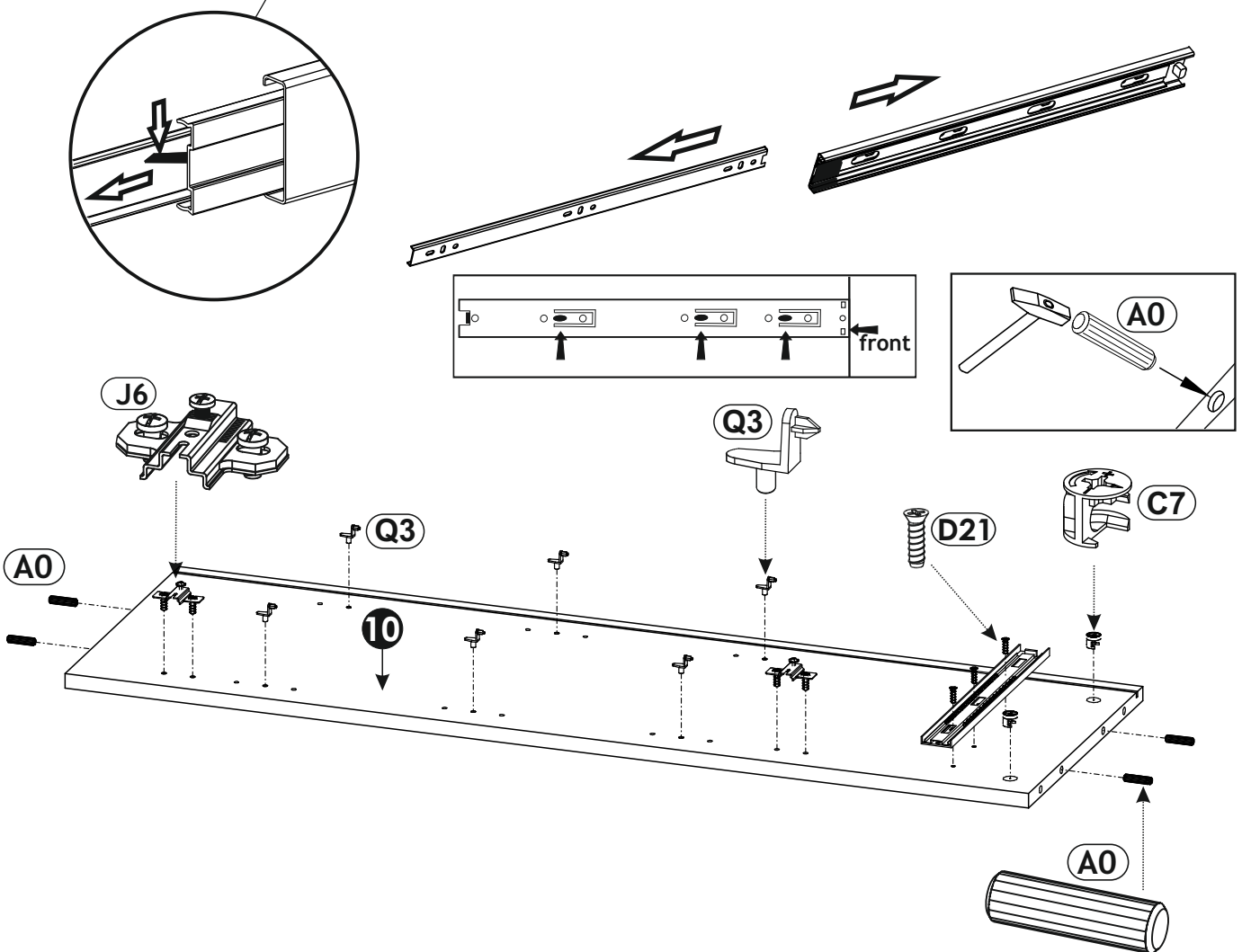
1	906	397	16	x1	1/2
2	906	397	16	x1	1/2
3	803	370	16	x1	1/2
4	803	370	16	x1	1/2
5	709	97	16	x1	1/2
6	796	160	16	x1	1/2
7	1085	778	3	x1	1/2
8	719	305	3	x1	1/2
9	1075	350	16	x1	2/2
10	1075	350	16	x1	2/2
11	768	330	16	x3	2/2
12	300	120	16	x1	2/2
13	300	120	16	x1	2/2
14	300	120	16	x1	2/2

					2/2
--	--	--	--	--	-----




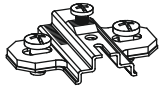
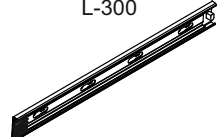
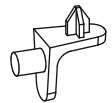


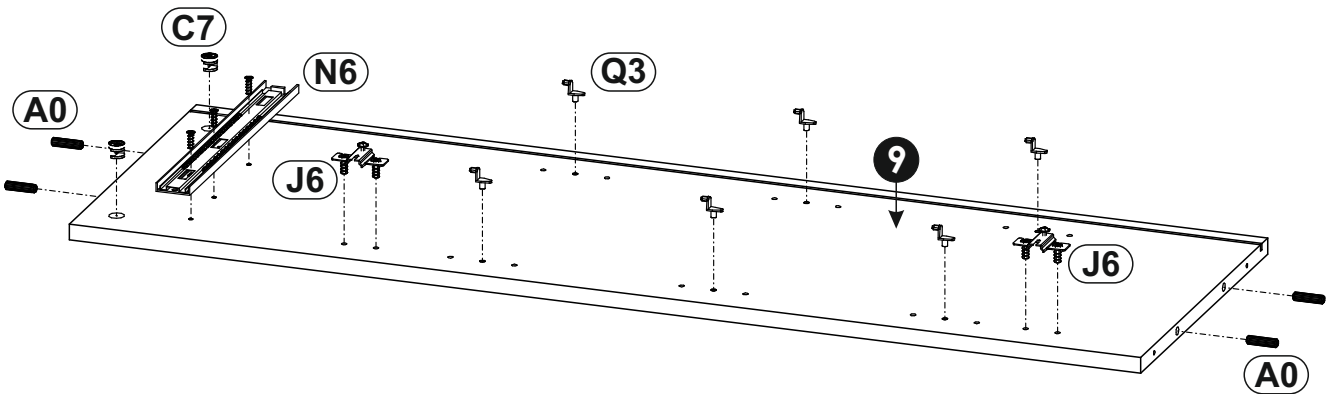
1 ▶

A0 8 x 30mm  x4	C7 16mm  x2	D21 5 x 13 mm  x3
J6  x2		
		N6 L-300  x1 Q3  x6

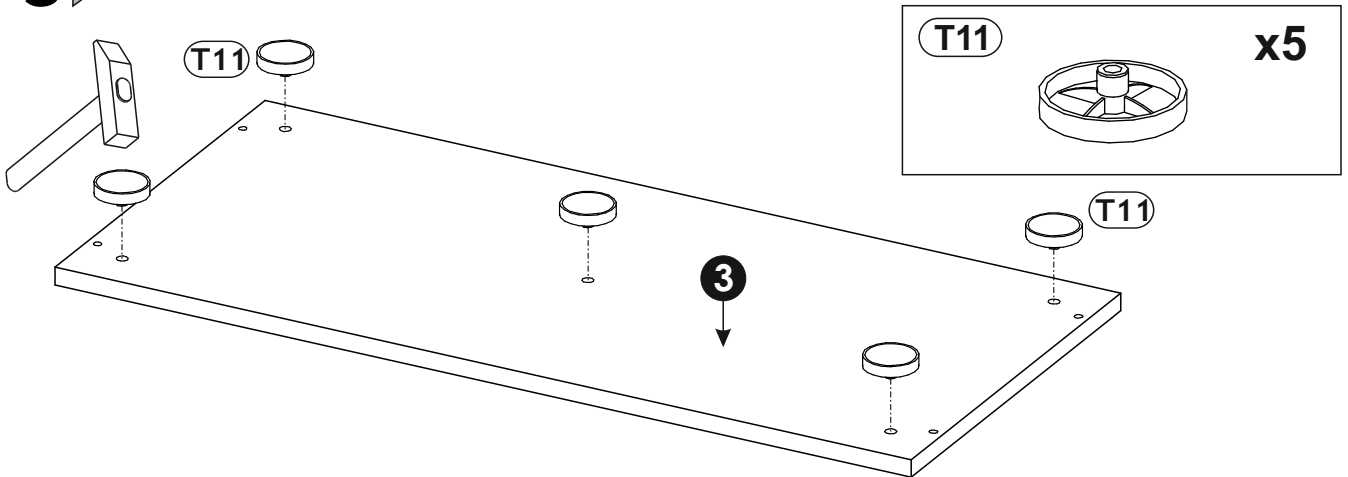


2 ▶



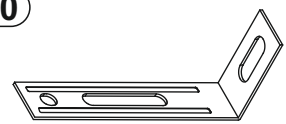
(A0) 8 x 30mm x4 	(C7) 16mm x2 	(D21) 5 x 13 mm x3 
(J6) x2 	(N6) L-300 x1 	(Q3) x6 

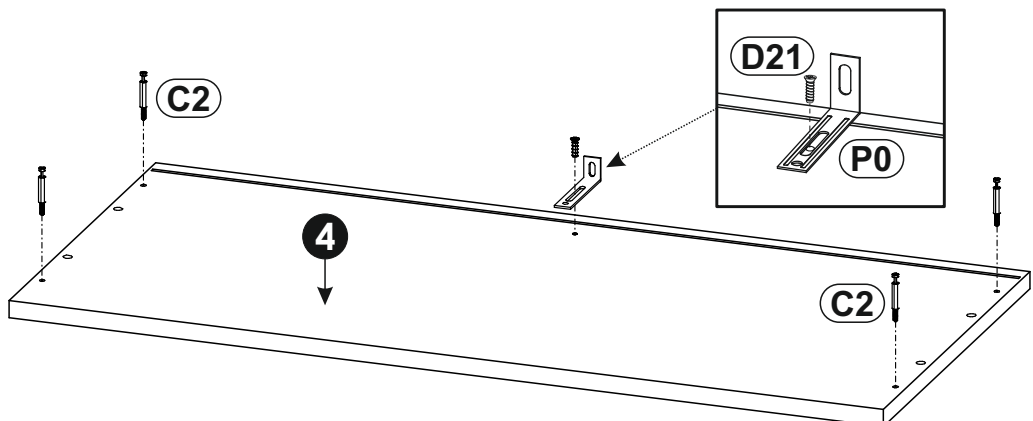
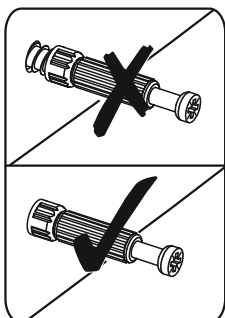


3 ▶

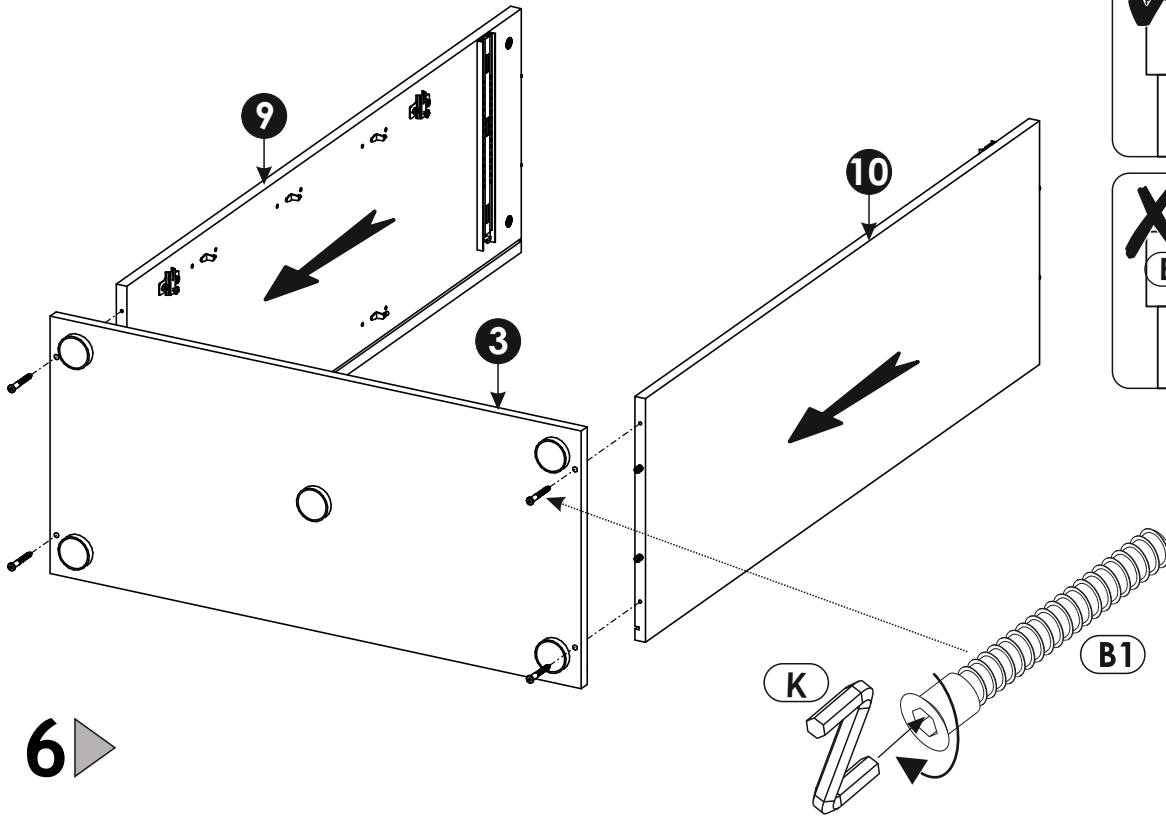
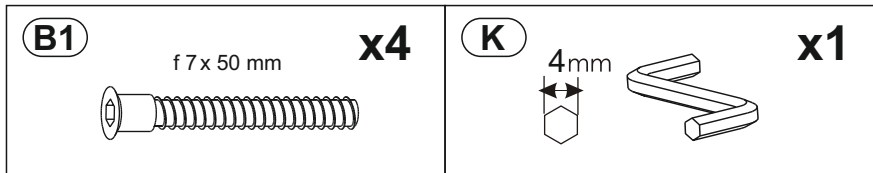


4 ▶

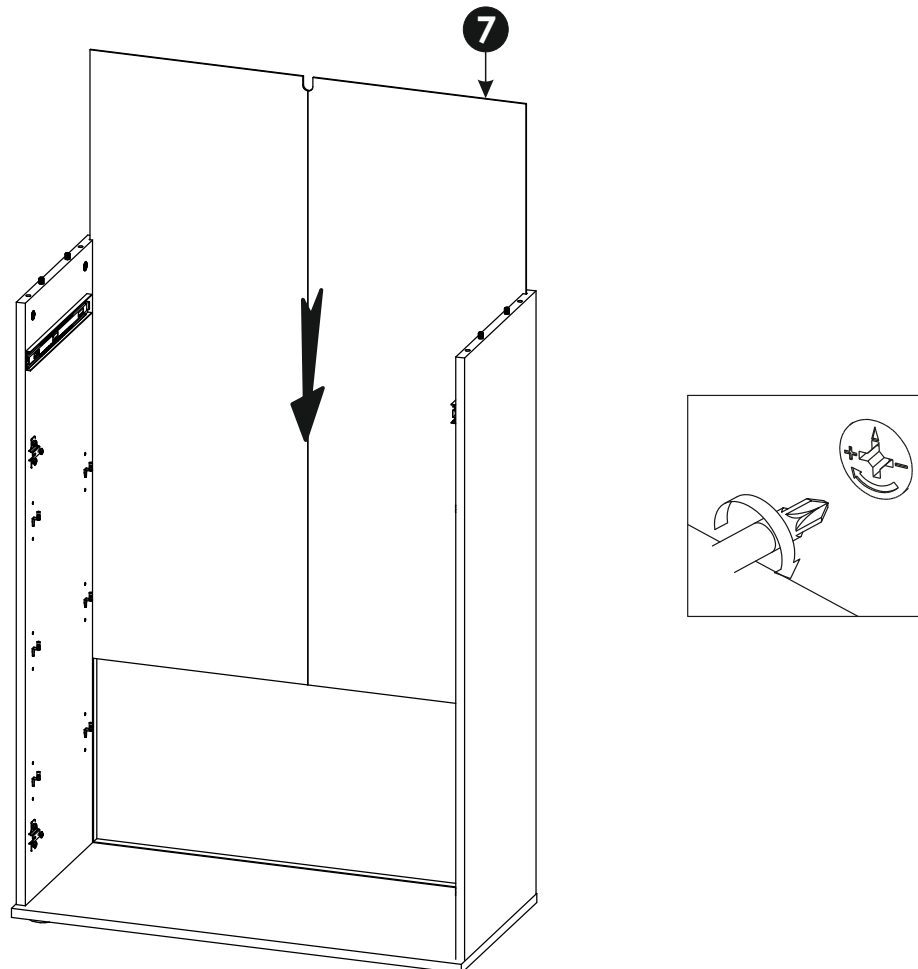
(C2) x4 	(D21) 5 x 13 mm x1 	(P0) x1 
---	---	---



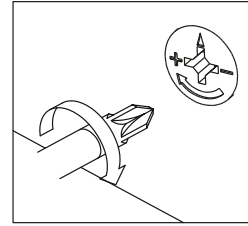
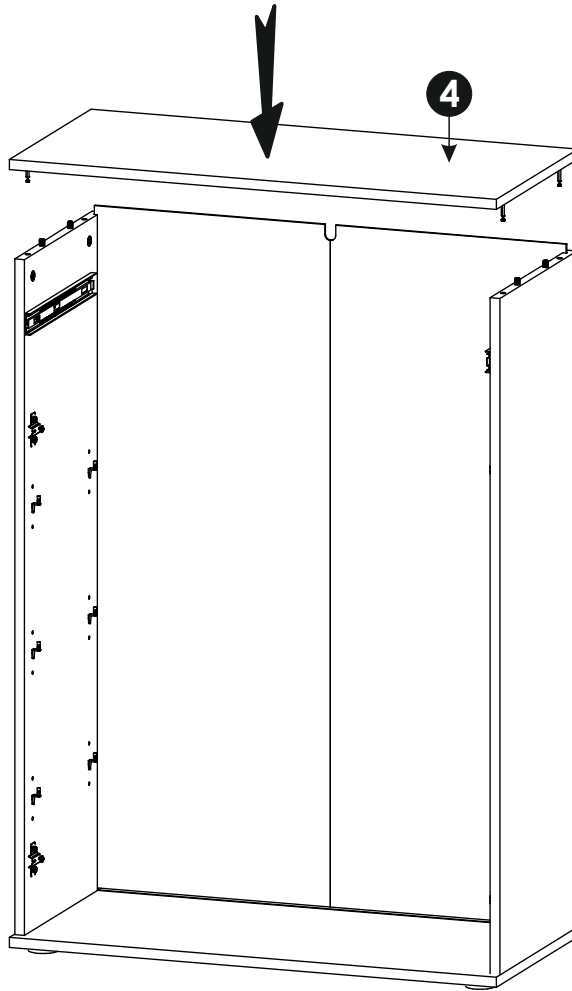
5 ▶



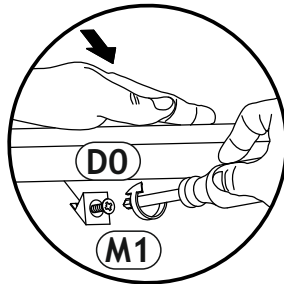
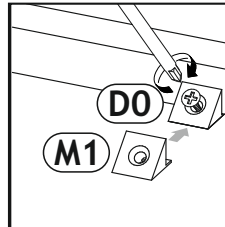
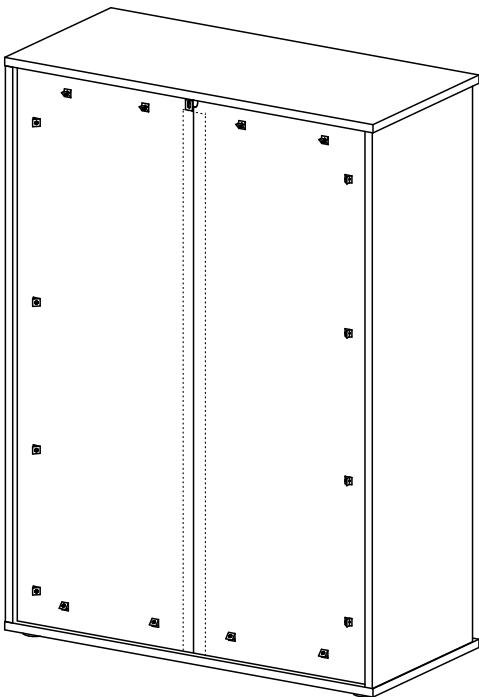
6 ▶





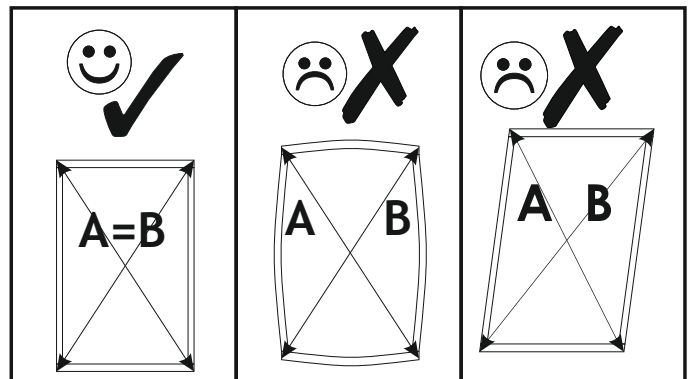
7 ▶



8 ▶

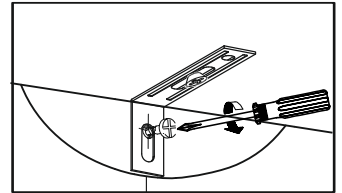
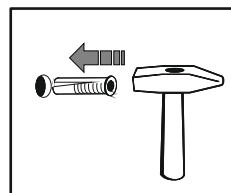
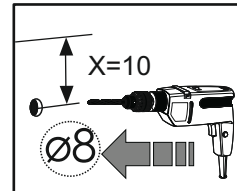
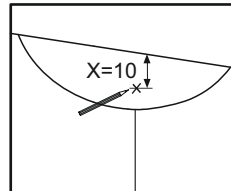
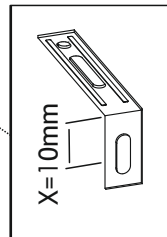
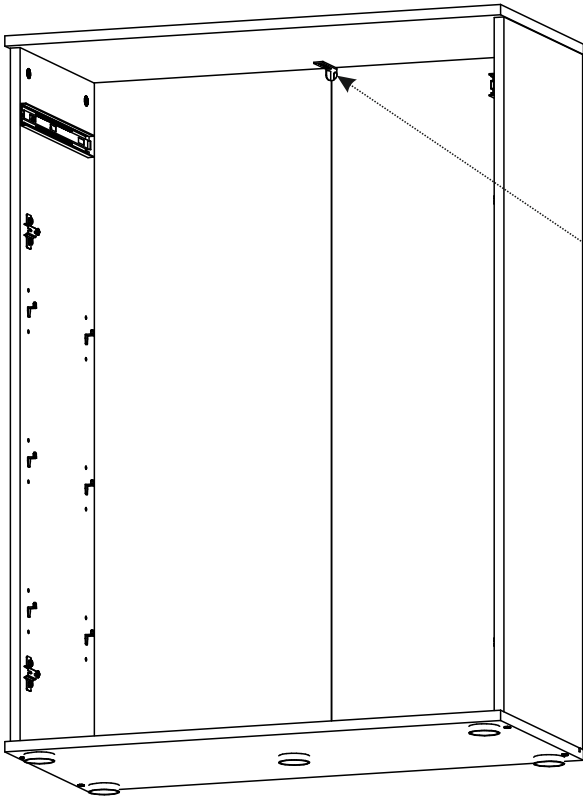
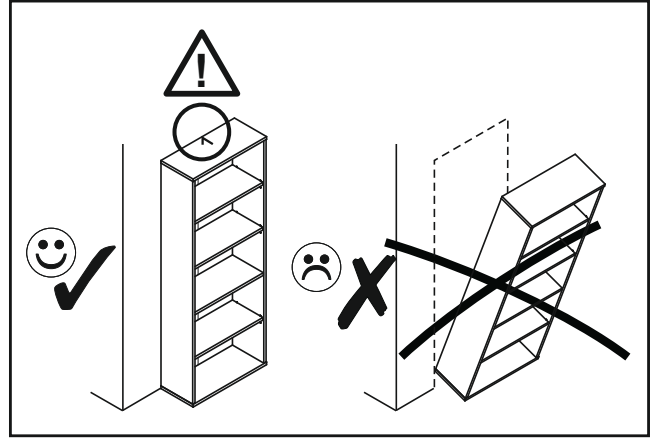
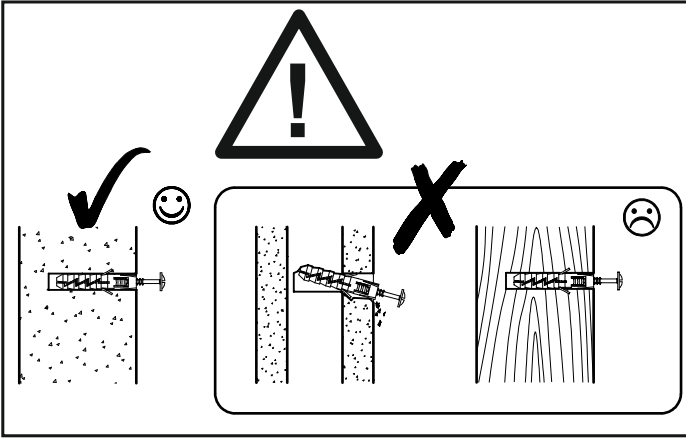


(D0)	3 x 15 mm	x16
		
(M1)		x16
		


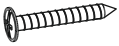
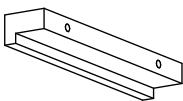


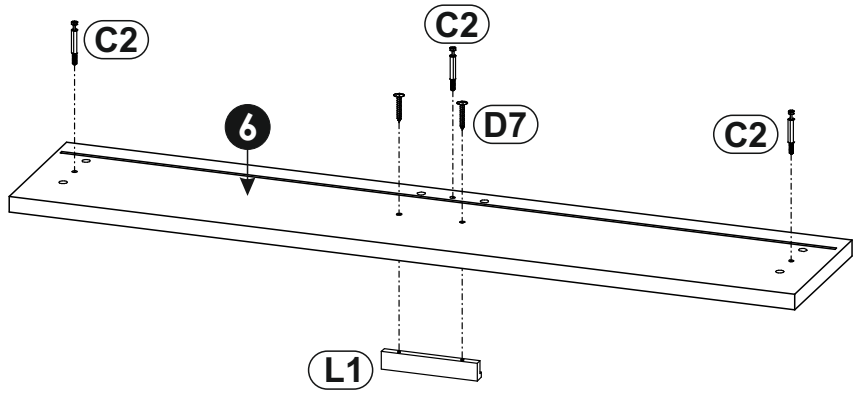
9 ▶

E0 5 x 50 mm **x1**
8 x 50 mm




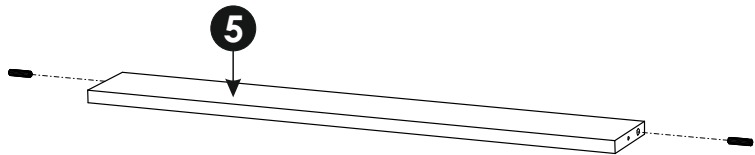
10 ▶

C2		x3
D7	3,5 x 27 mm 	x2
L1		x1





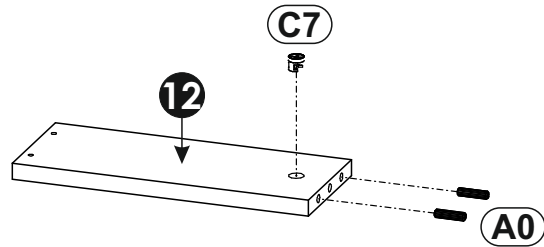
11 ▶

A0	8 x 30mm 	x2
-----------	---	-----------

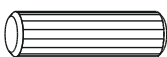



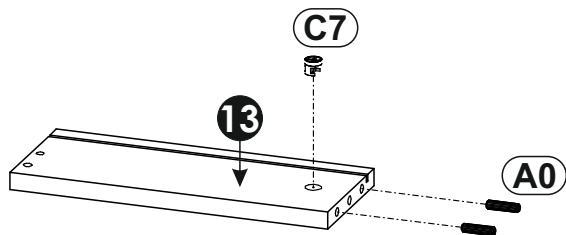
12 ▶

A0	8 x 30mm 	x2
C7	 16mm	x1



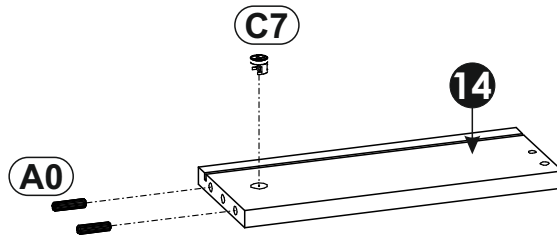
13 ▶

A0	8 x 30mm 	x2
C7	 16mm	x1



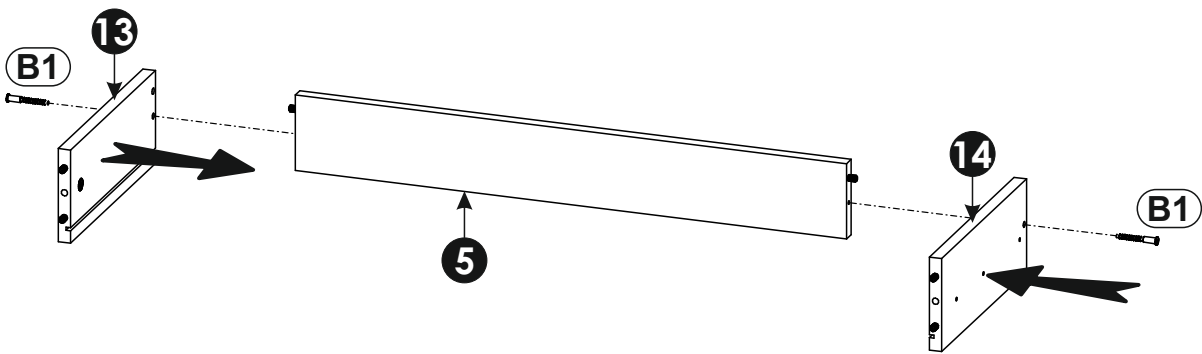
14 ▶

A0	8 x 30mm	x2
C7	16mm	x1

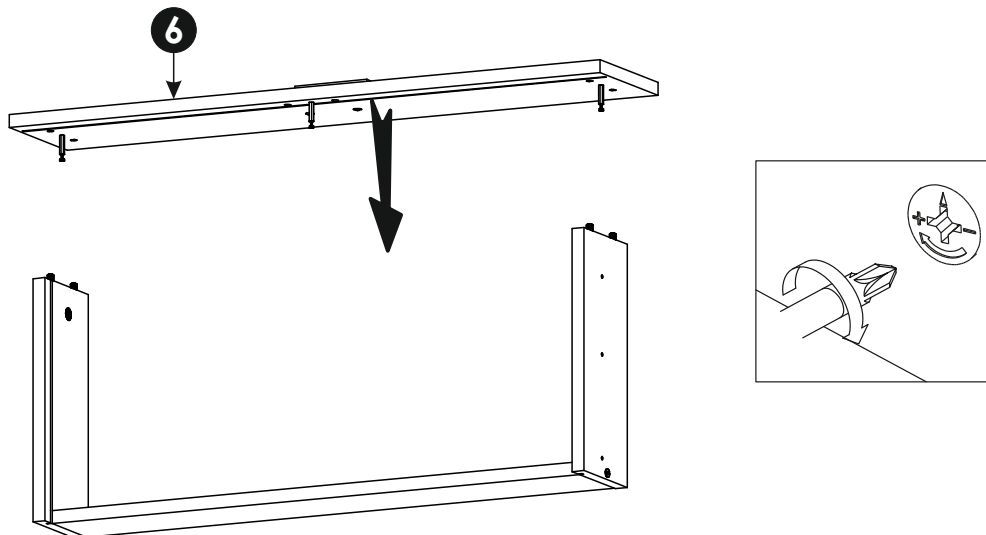


15 ▶

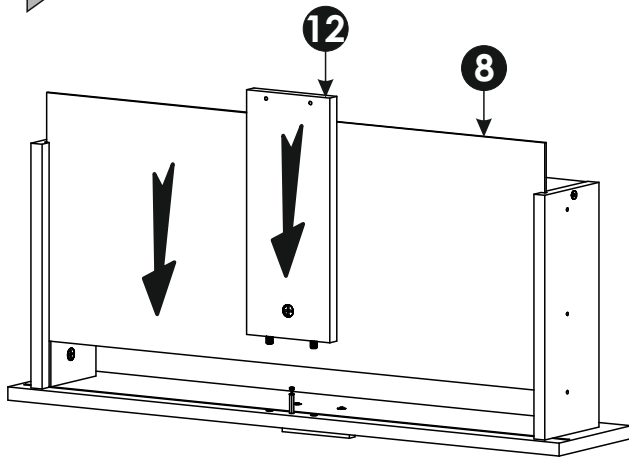
B1	f 7 x 50 mm	x2
K	4mm	x1







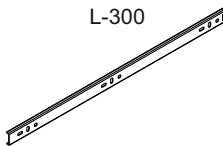

16 ▶

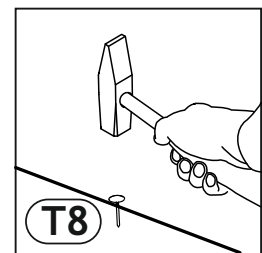
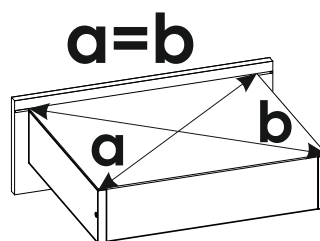
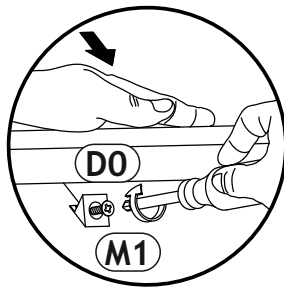
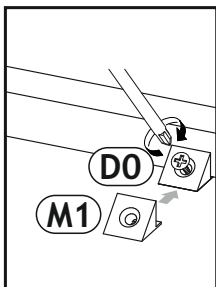
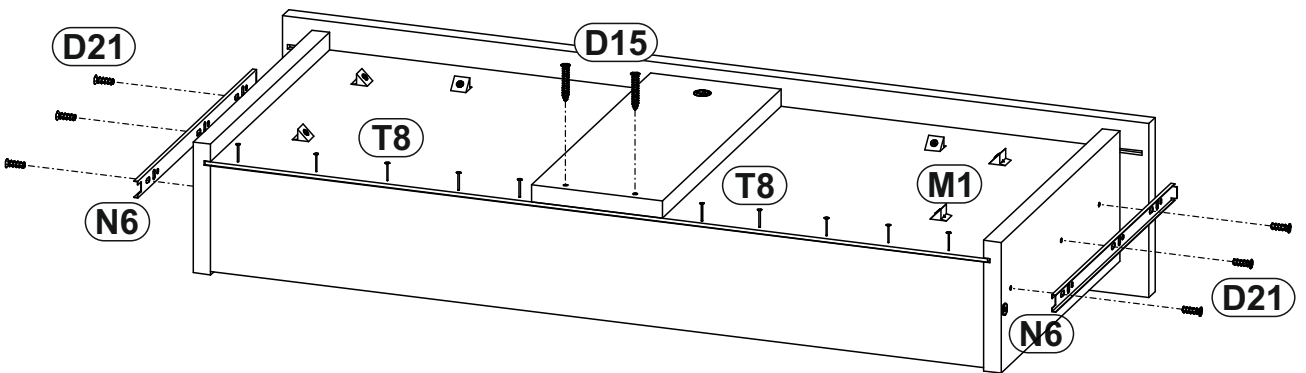
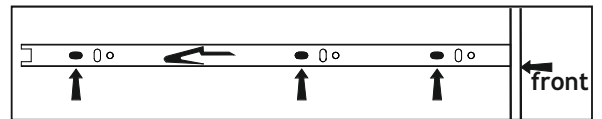


17 ▶

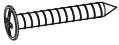
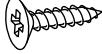
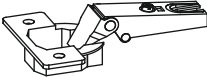
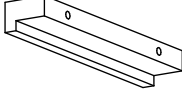
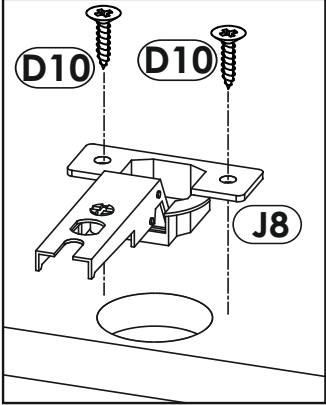


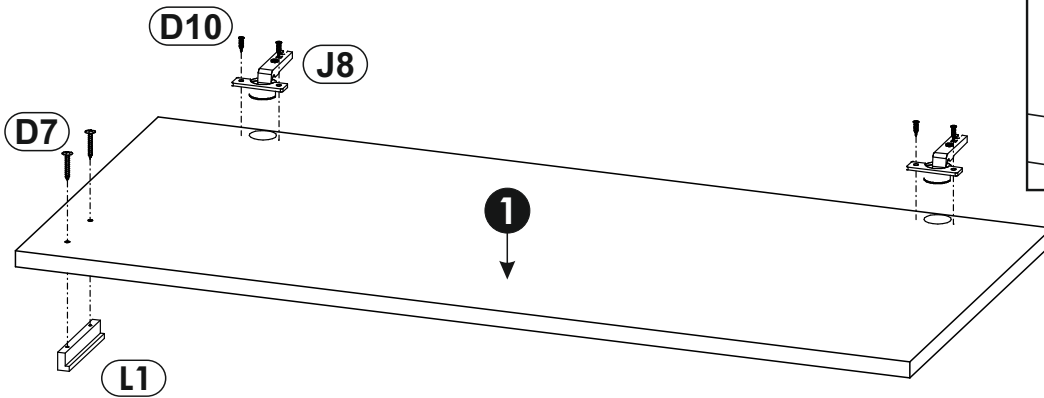
18 ▶

<p>(D0) 3 x 15 mm x6</p> 	<p>(D21) 5 x 13 mm x6</p> 	<p>(D15) 4 x 45 mm x2</p> 
<p>(M1) x6</p> 	<p>(N6) L-300 x2</p> 	<p>(T8) x10</p> 

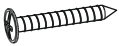
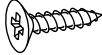
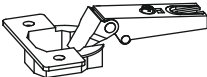
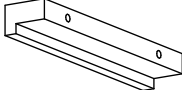


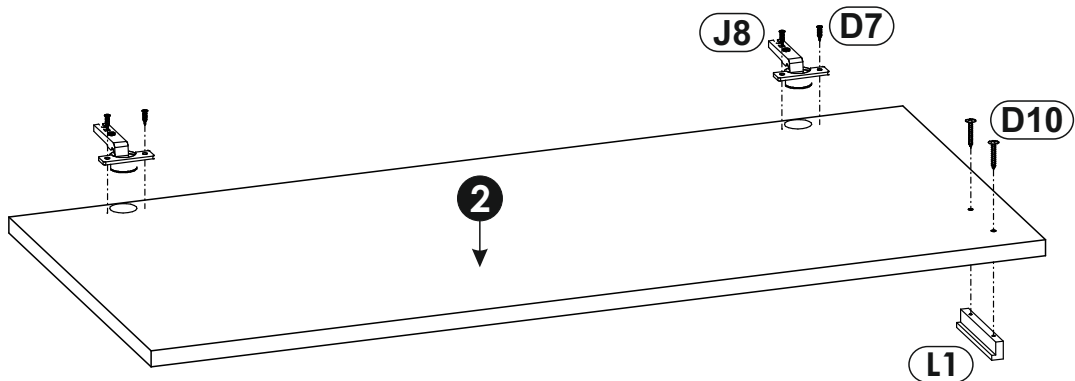
19 ▶

(D7) 3,5 x 27 mm  x2	(D10) 4 x 16 mm  x4	(J8)  x2
(L1)  x1		

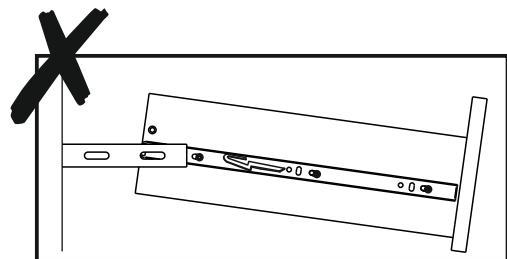
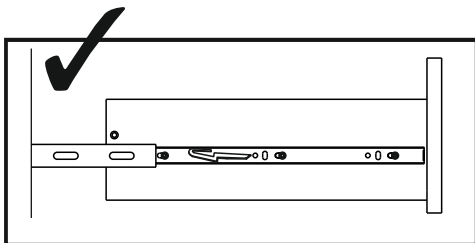
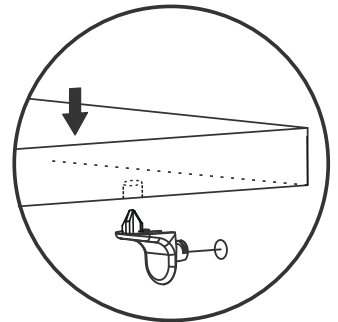
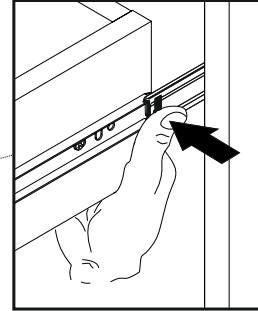
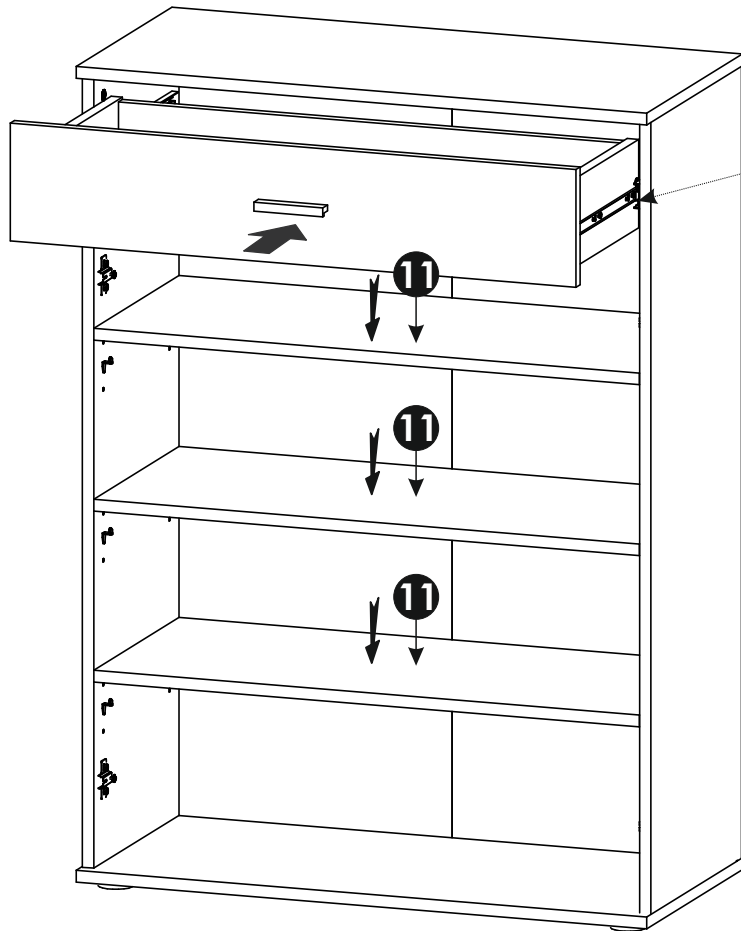


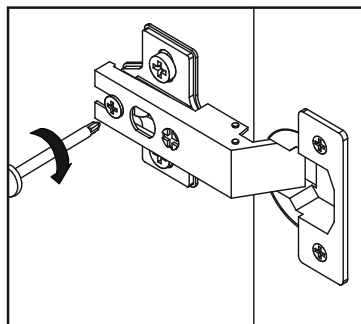
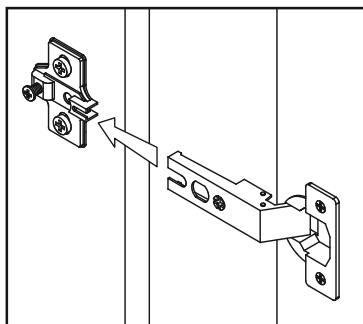
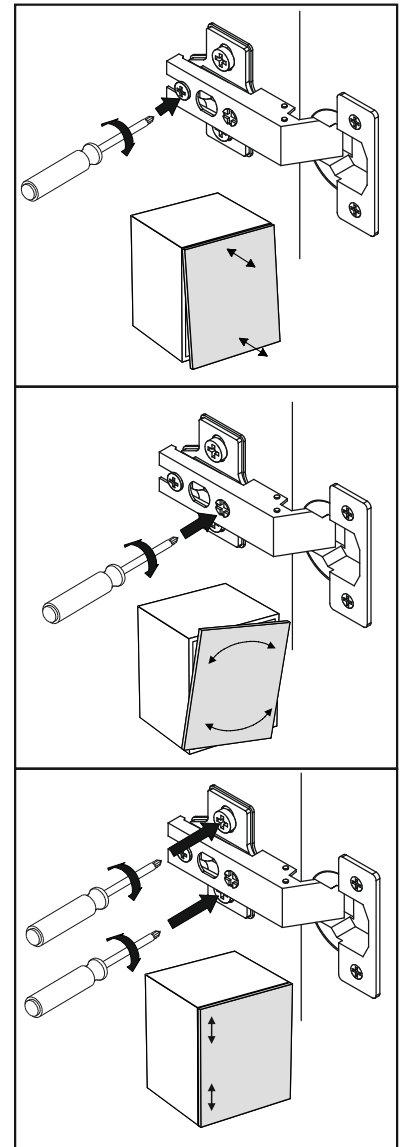
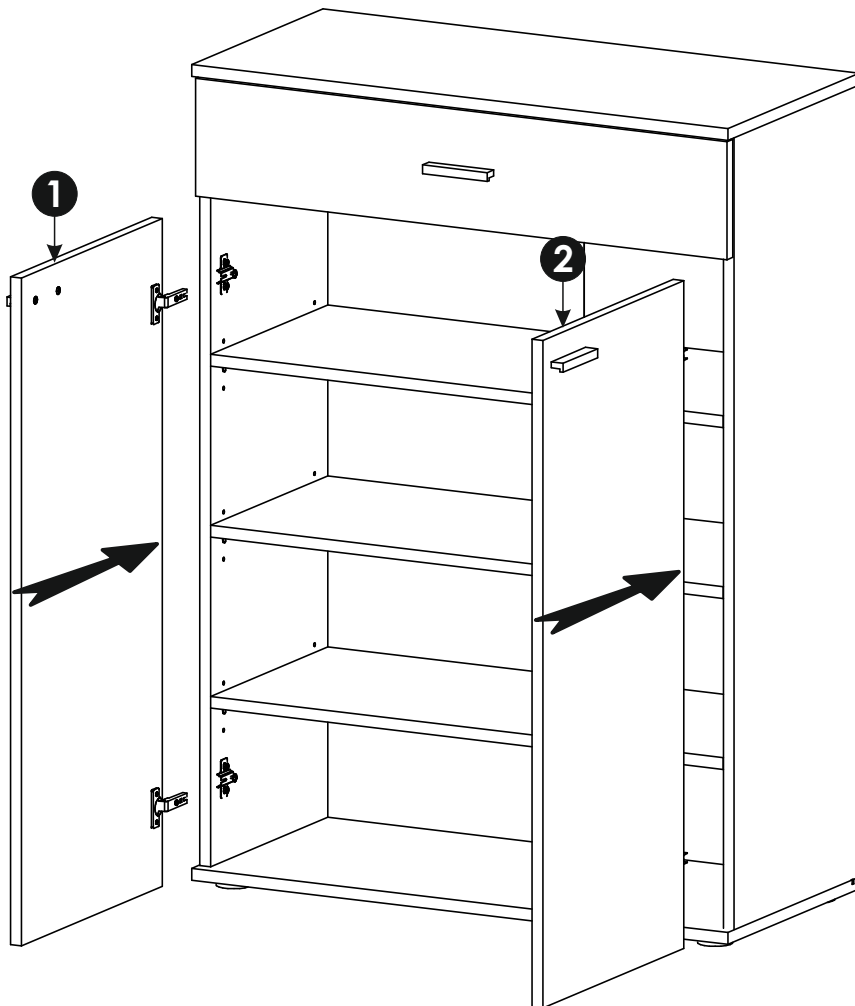
20 ▶

(D7) 3,5 x 27 mm  x2	(D10) 4 x 16 mm  x4	(J8)  x2
(L1)  x1		






21 ▶





23 ▶

B0		x2	C0		x4 x2	U0		x4
-----------	---	-----------	-----------	---	------------------------	-----------	---	-----------

