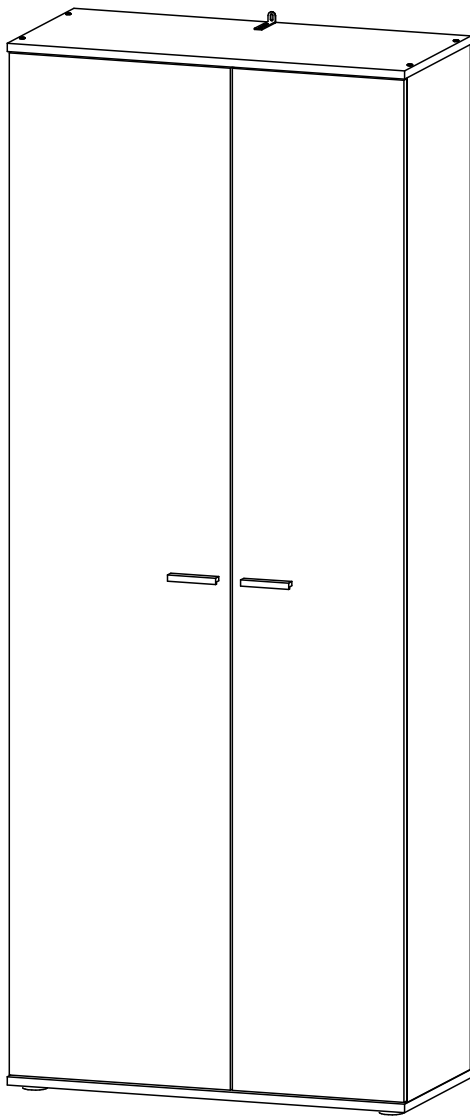
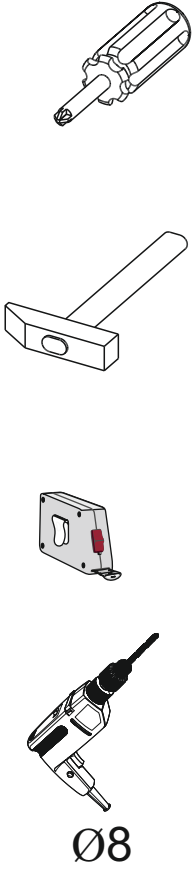


A

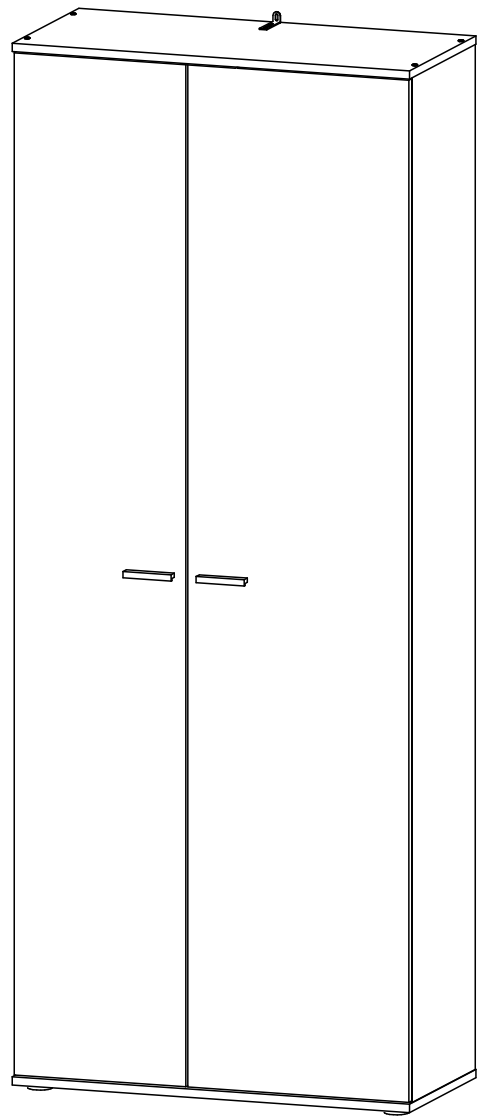
B



2026 mm

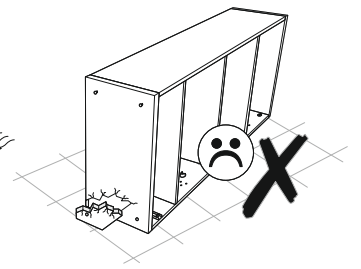
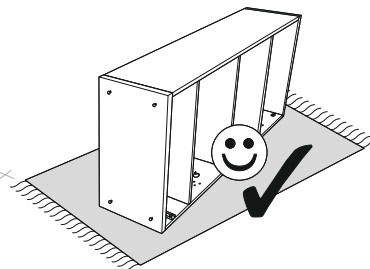
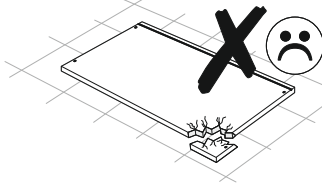
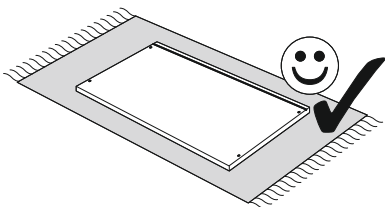
803 mm

370 mm



803 mm

370 mm





MM

260

250

240

230

220

210

200

190

180

170

160

150

140

130

120

110

100

90

80

70

60

50

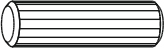

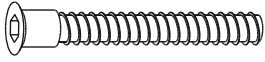
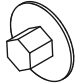



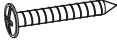


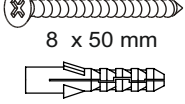

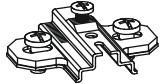
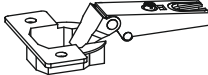

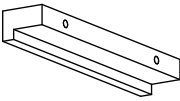

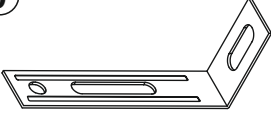
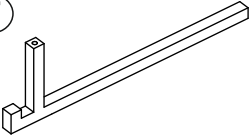
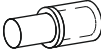
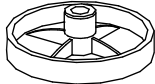
40

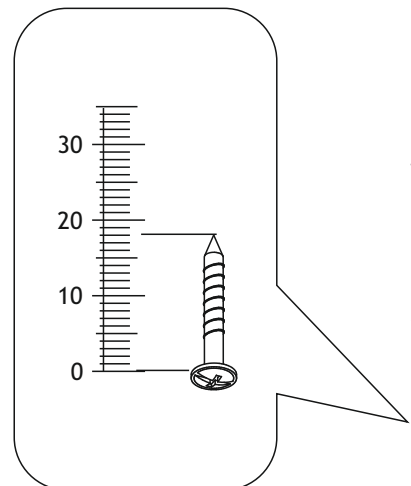
30

20


10

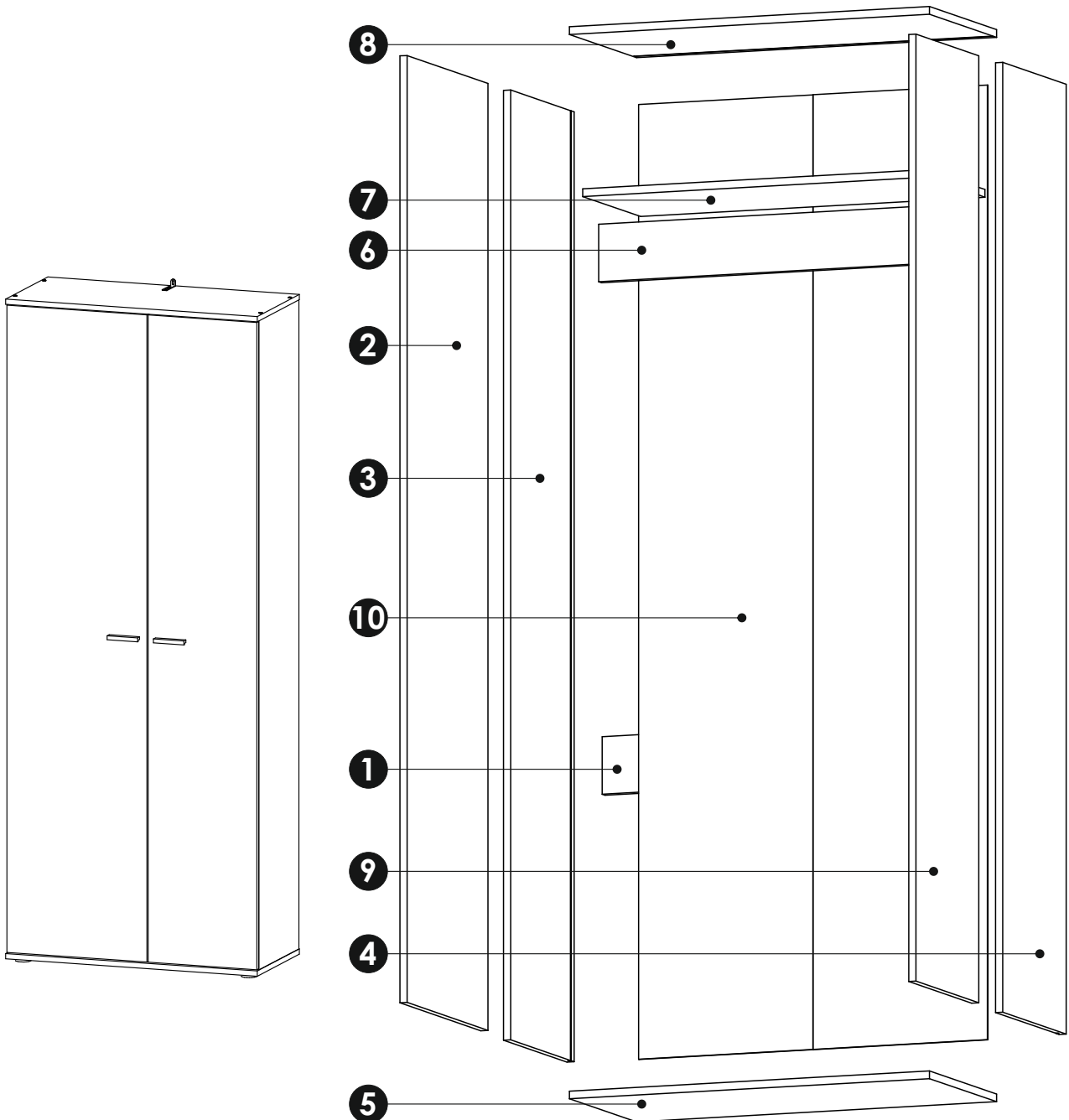
0

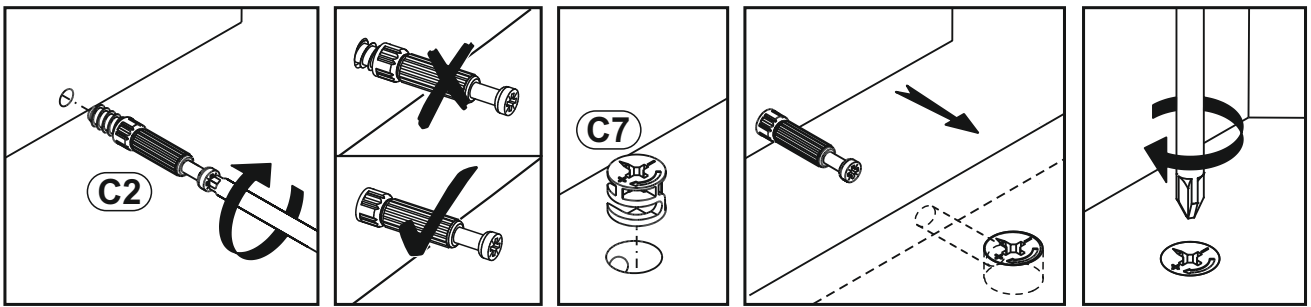
(A0) 8 x 30mm x20 	(B0)  x4	(B1) f 7 x 50 mm x8 
(C0)  x4	(C2)  x8	(C7) 16mm  x8
(D0) 3 x 15 mm x18 	(D7) 3,5 x 27 mm x4 	(D10) 4 x 16 mm x16 
(D21) 5 x 13 mm x1 	(E0) 5 x 50 mm 8 x 50 mm x1 	(H2) 4 x 22 mm x2 
(J6)  x8	(J8)  x8	(K) 4mm  x1
(L1)  x2	(M1)  x18	(P0)  x1
(P17)  x1	(Q4)  x4	(T11)  x5



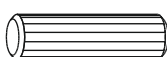

1	768	120	16	x1	2/2
2	1978	447	16	x1	1/2
3	1984	350	16	x1	1/2
4	1984	350	16	x1	1/2
5	803	370	16	x1	2/2
6	768	120	16	x1	2/2

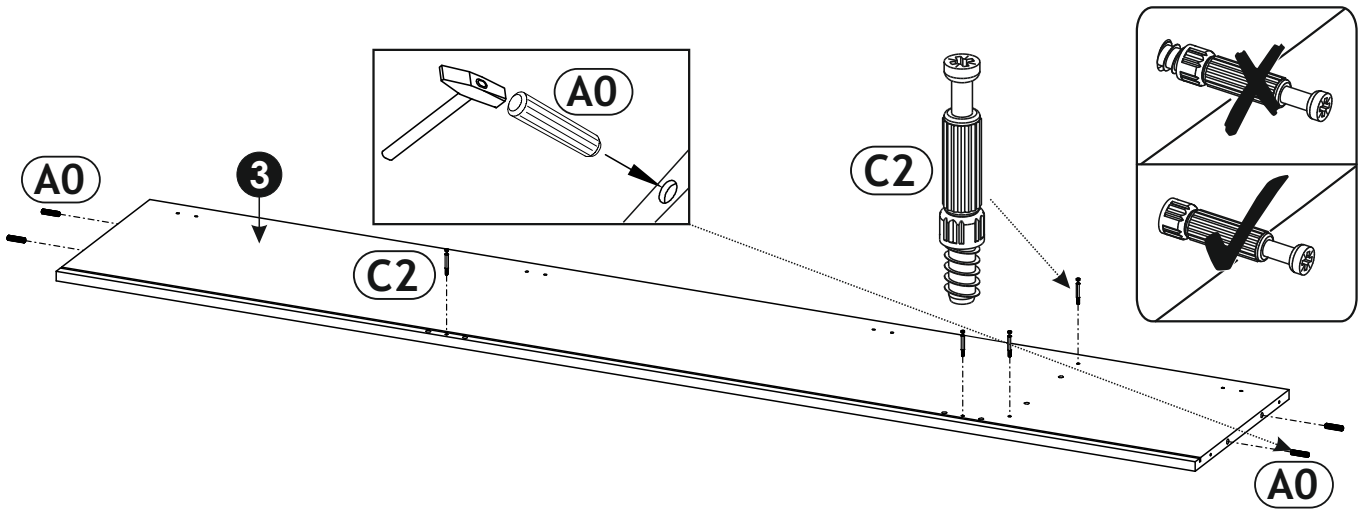
7	768	320	16	x1	2/2
8	803	370	16	x1	2/2
9	1978	347	16	x1	1/2
10	1994	778	3	x1	1/2
					2/2



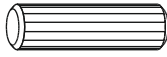



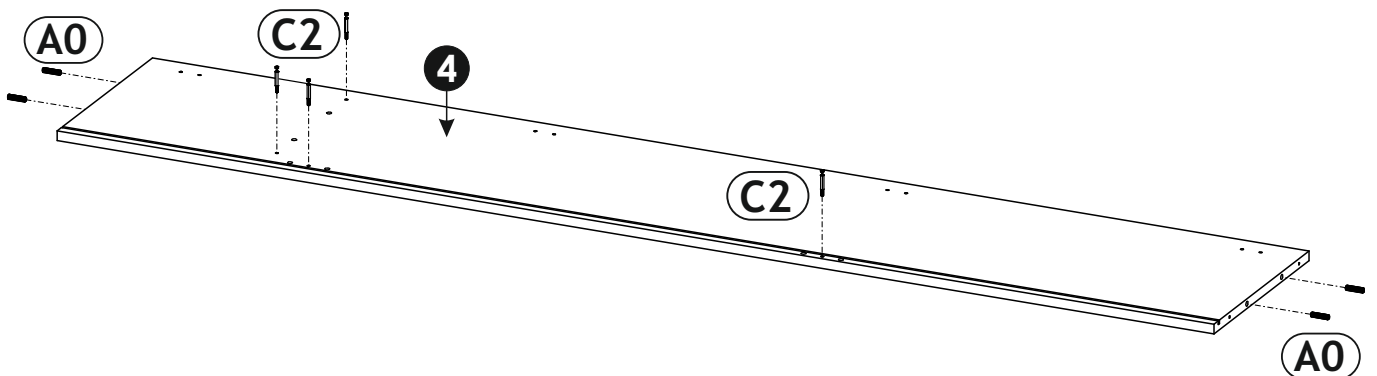
1 ▶

<p>A0 8 x 30mm x4</p> 	<p>C2 x4</p> 
---	--


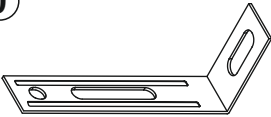
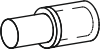


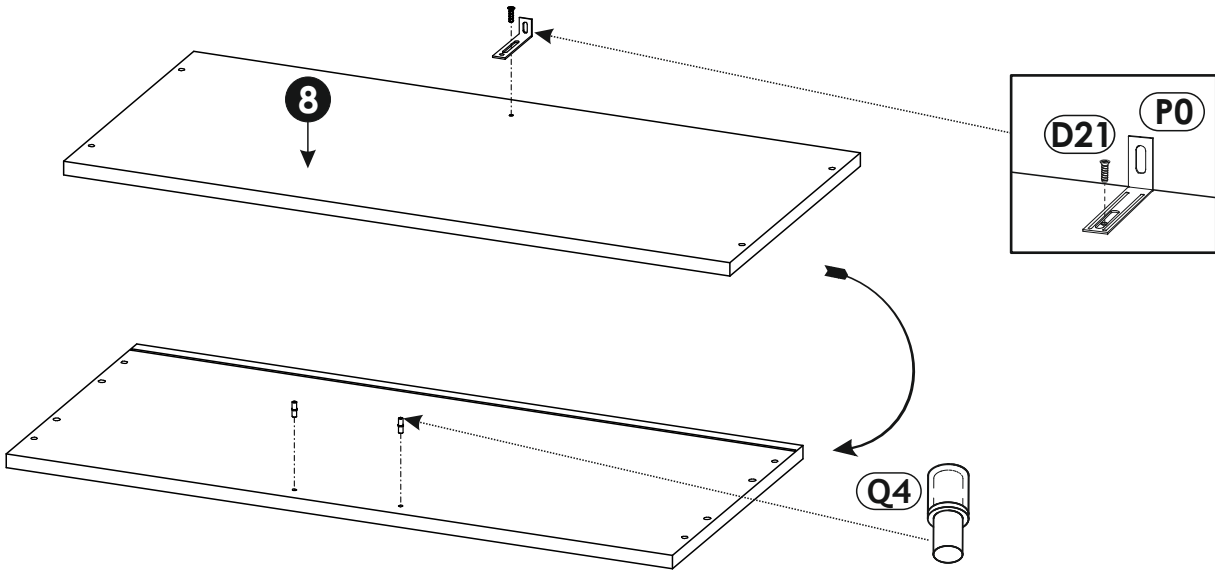
2 ▶

<p>A0 8 x 30mm x4</p> 	<p>C2 x4</p> 
---	--

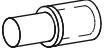
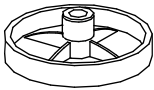


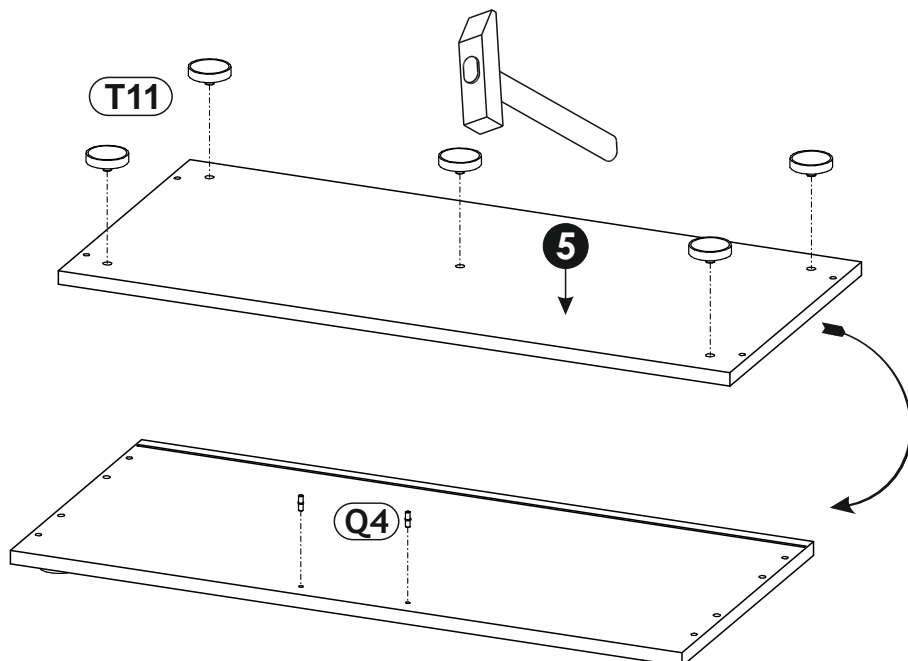
3 ▶

(D21) 5 x 13 mm  x1	(P0)  x1	(Q4)  x2
---	---	---

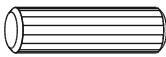



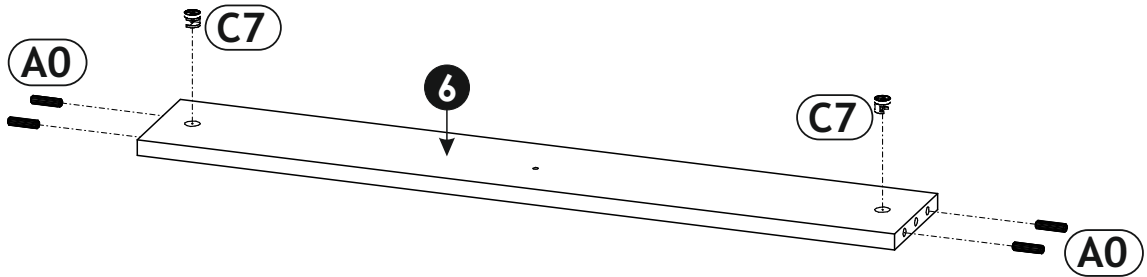
4 ▶

(Q4)  x2	(T11)  x5
---	--





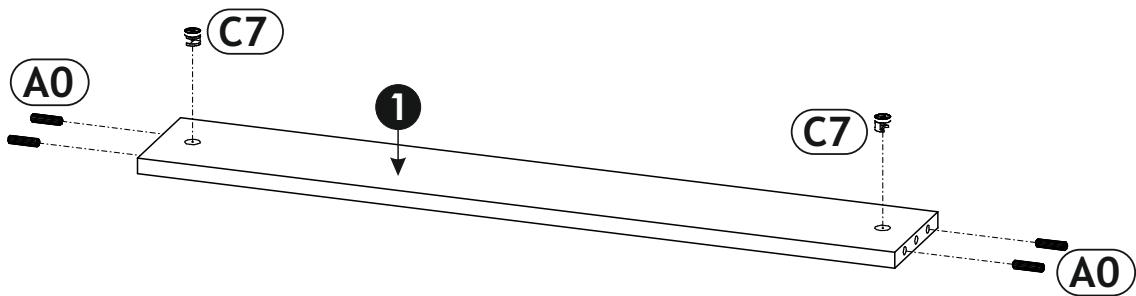
5 ▶

A0	8 x 30mm	x4	C7	x2
			16mm	





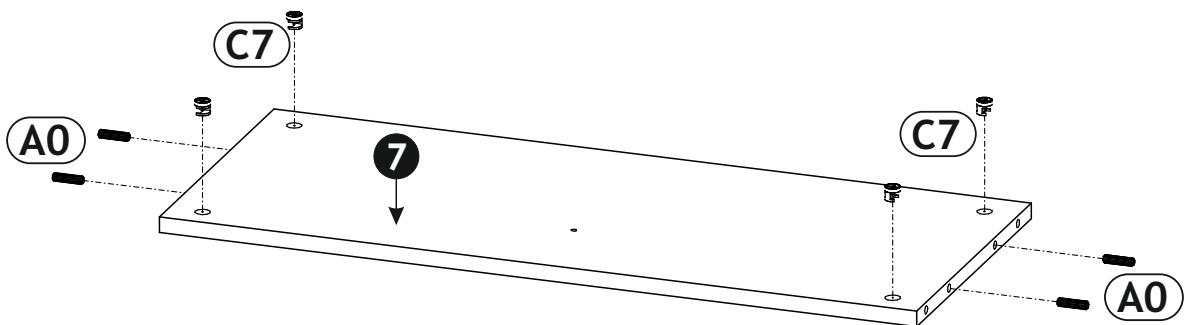
6 ▶

A0	8 x 30mm	x4	C7	x2
			16mm	

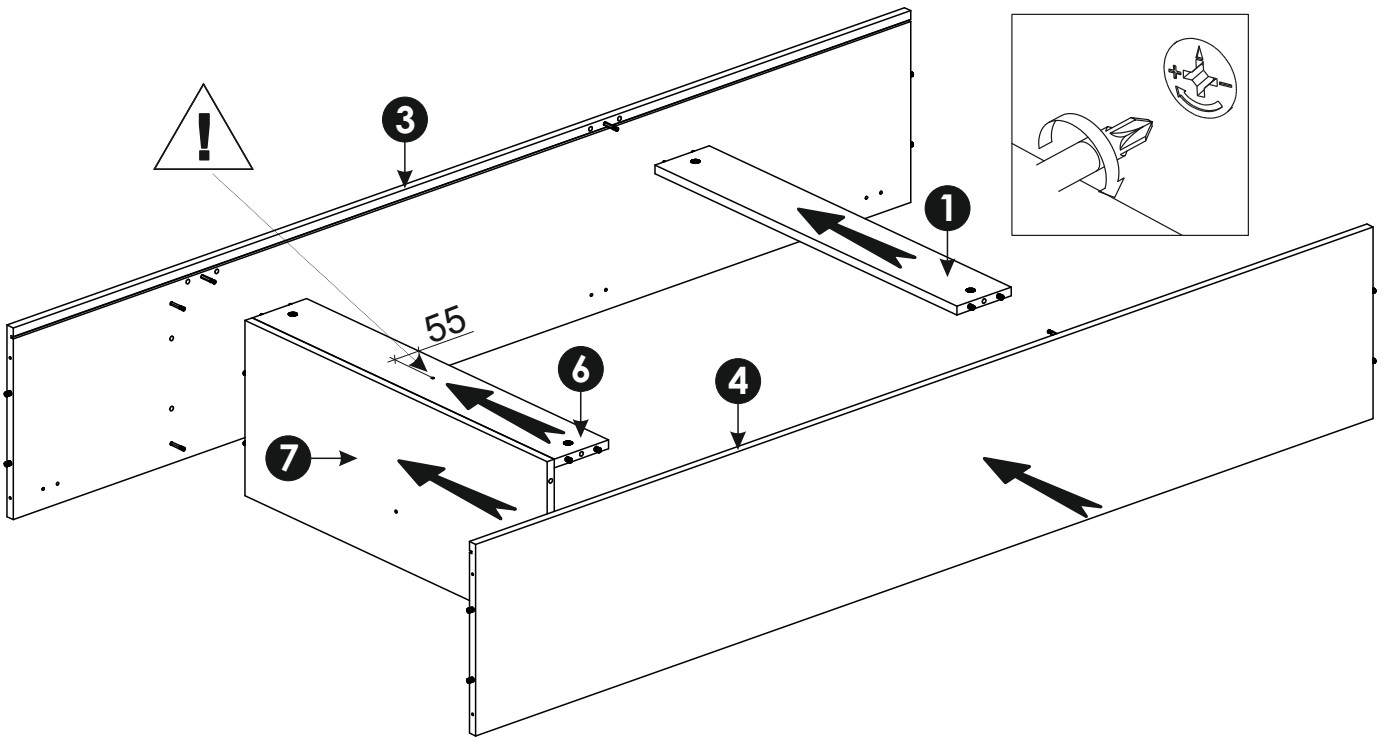


7 ▶

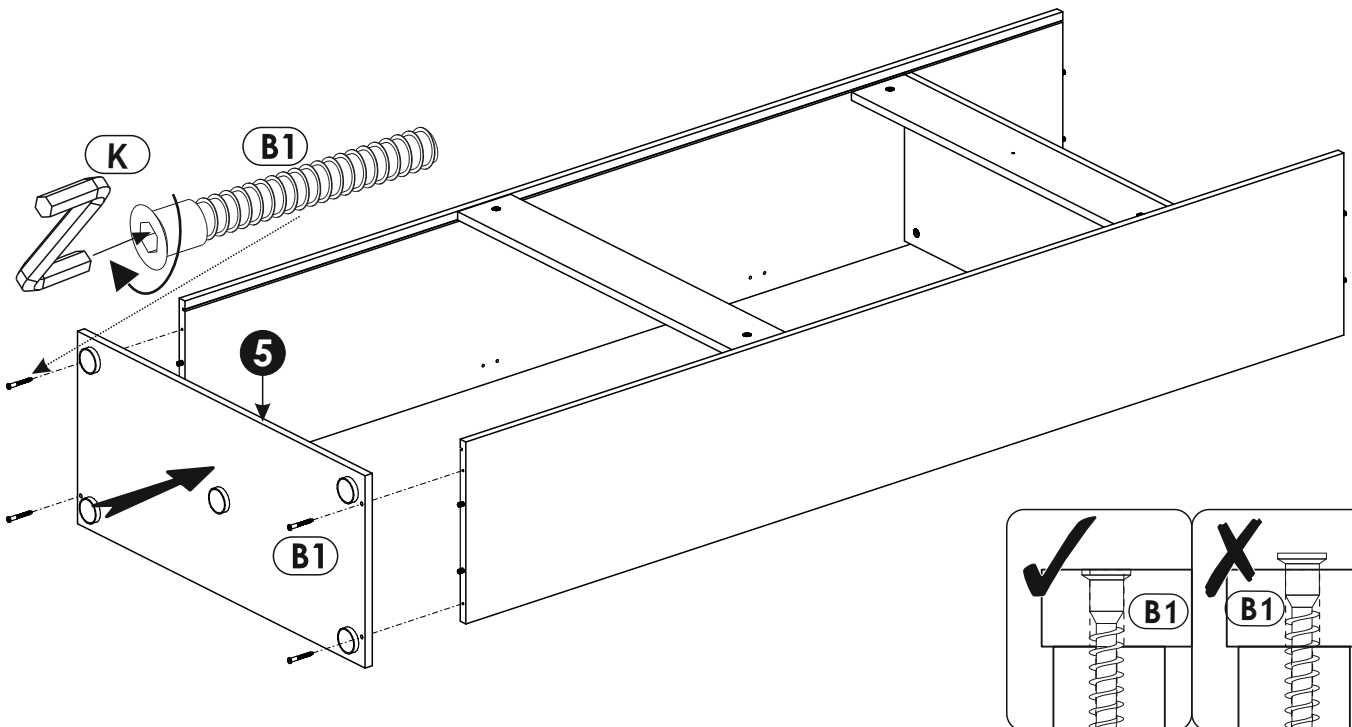
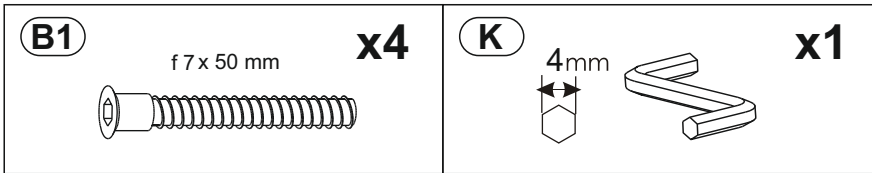
A0	8 x 30mm	x4	C7	x4
			16mm	



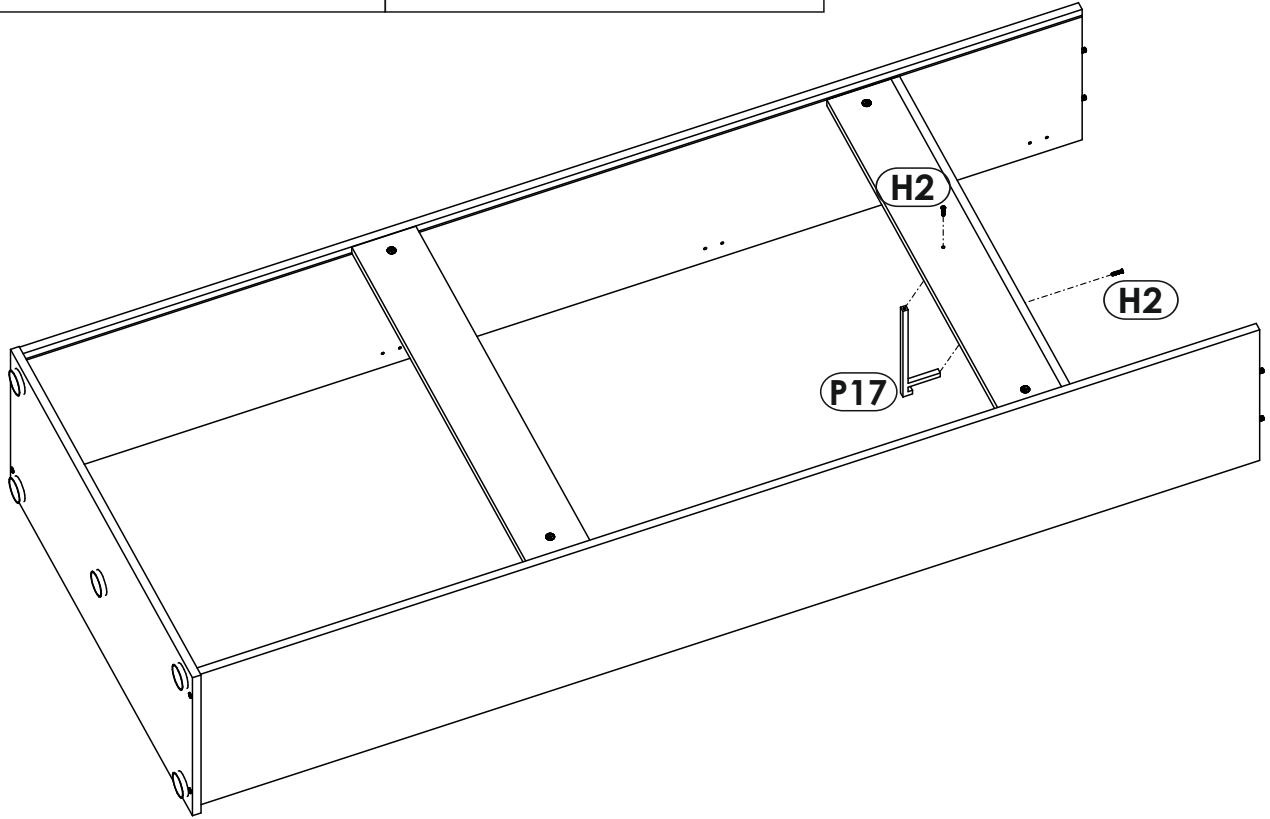
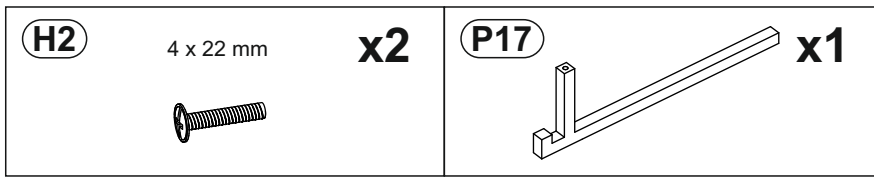
8 ▶



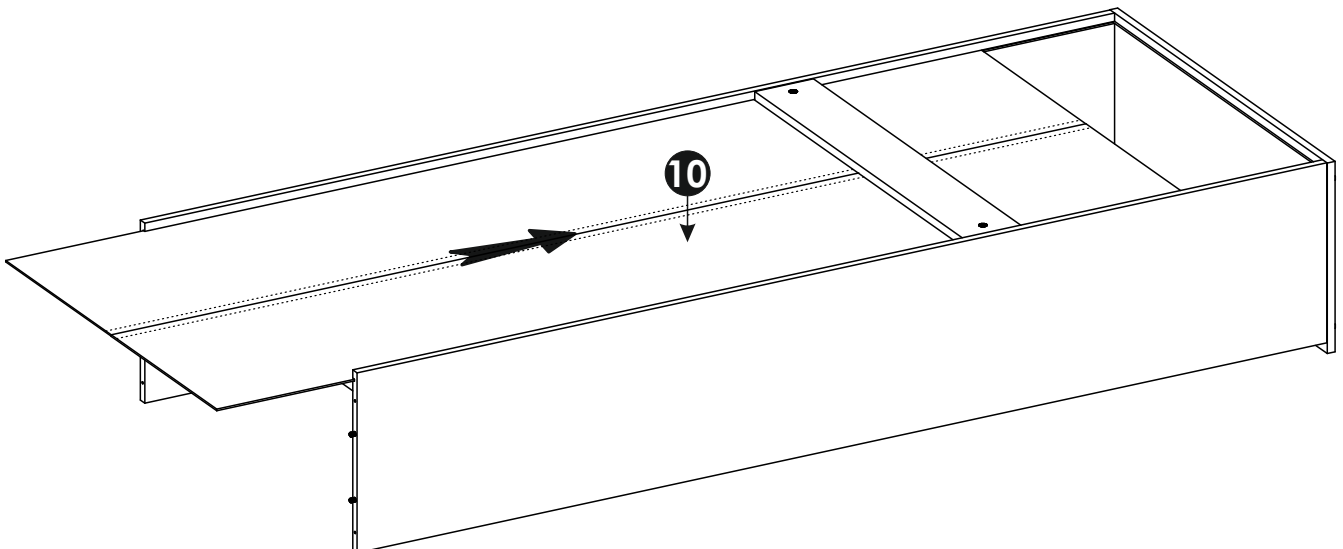
9 ▶



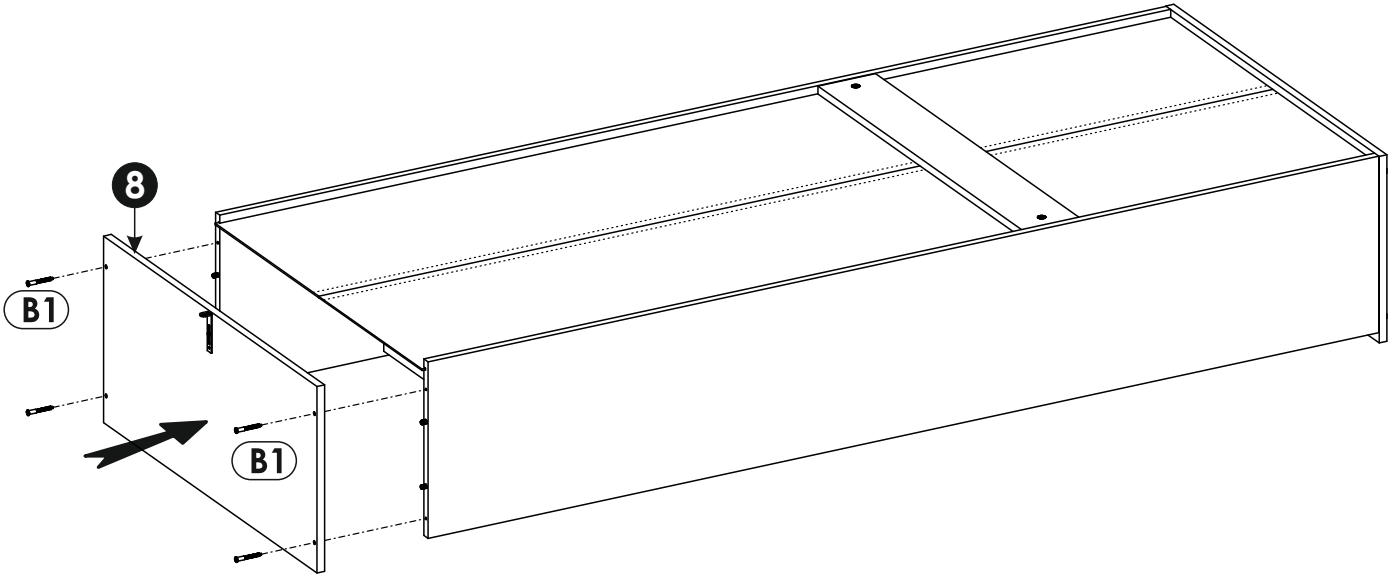
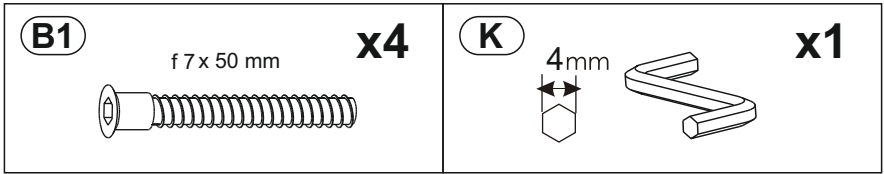
10 ▶



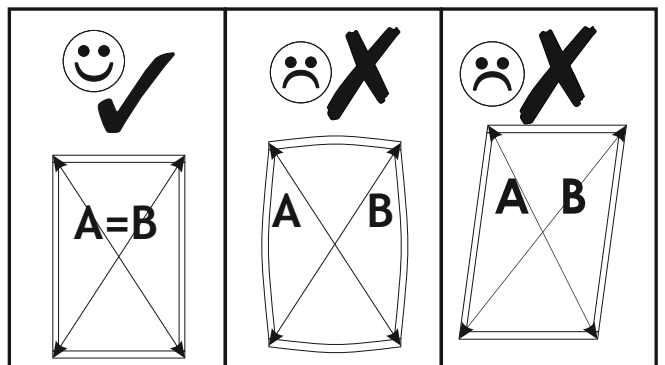
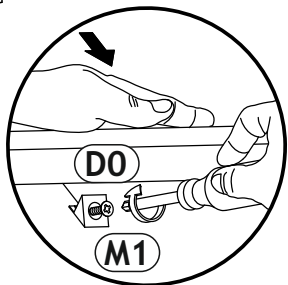
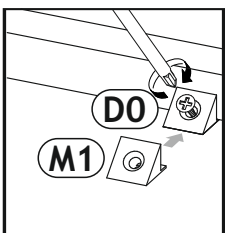
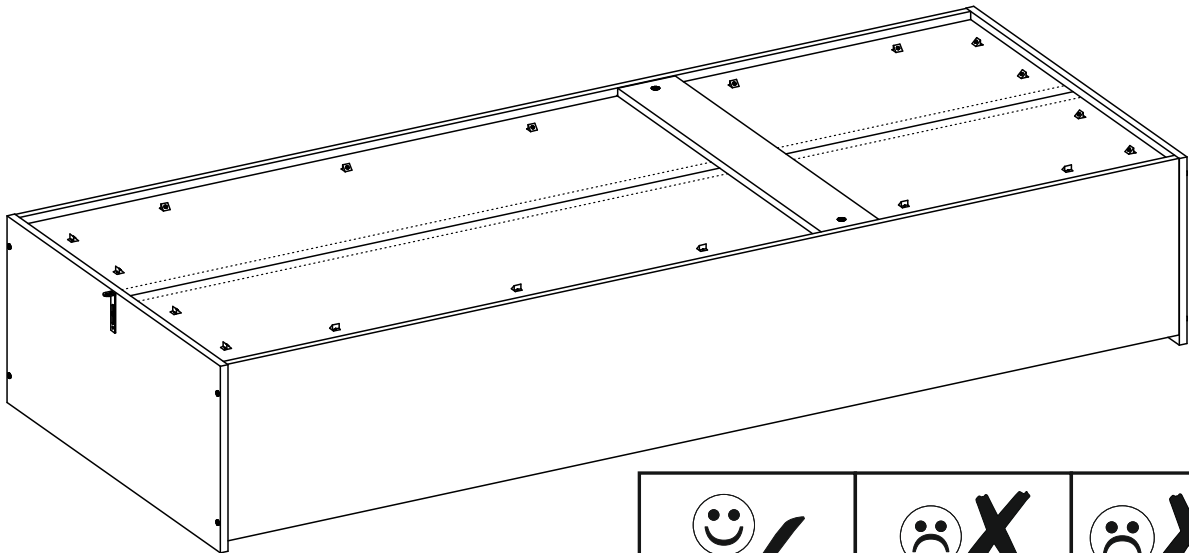
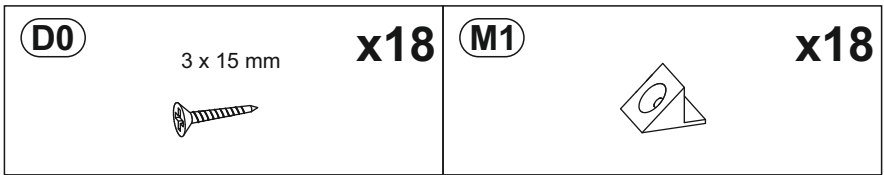
11 ▶



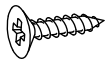

12 ▶

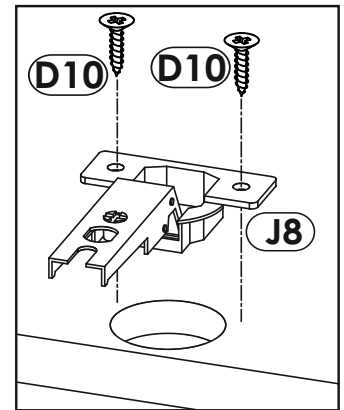
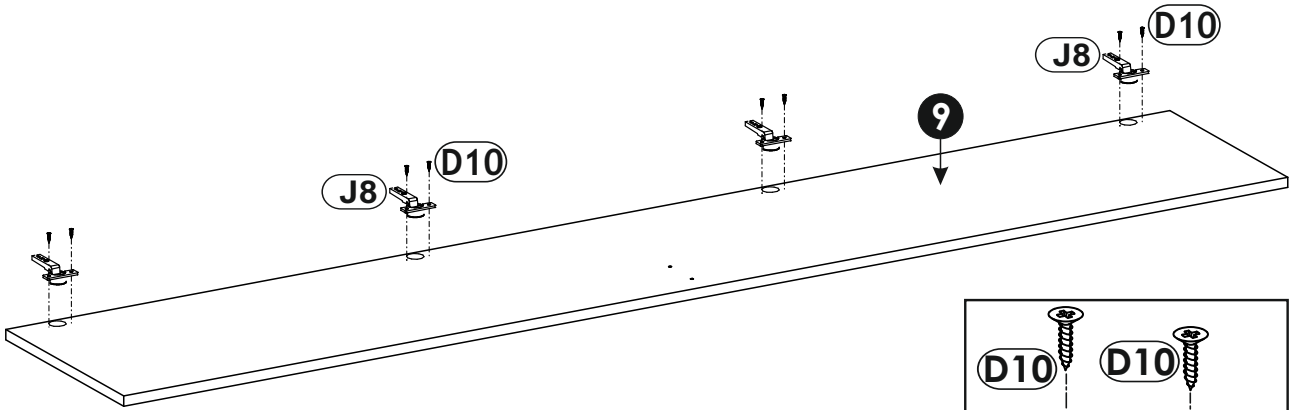


13 ▶

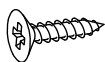
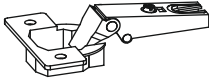


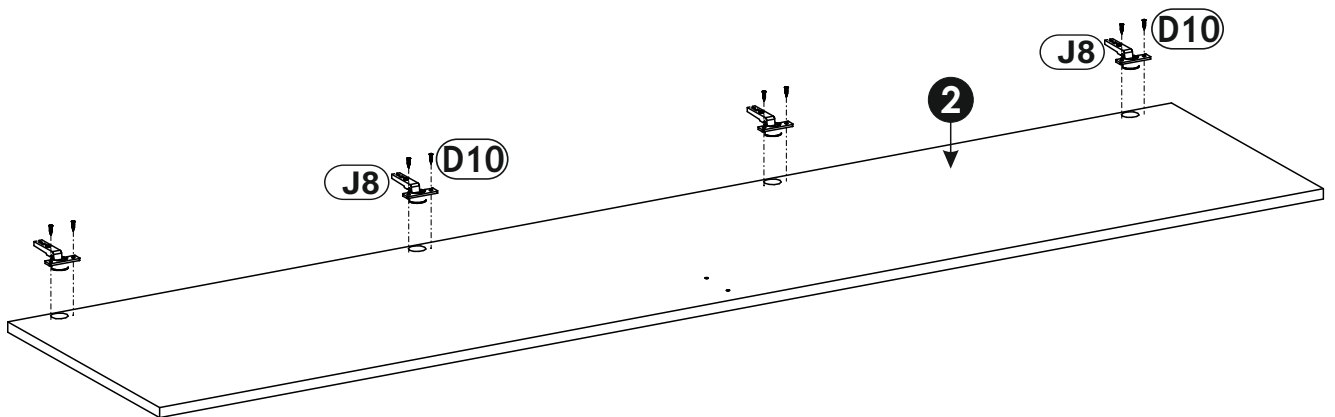
14 ▶

D10 4 x 16 mm 	x8	J8 	x4
--	-----------	--	-----------

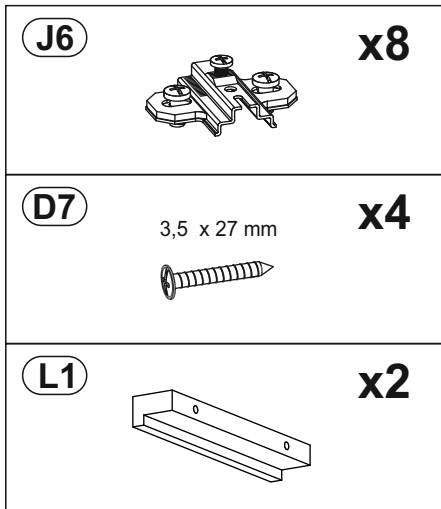


15 ▶

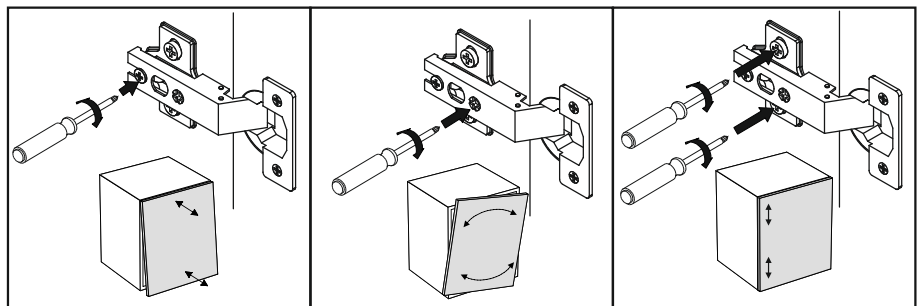
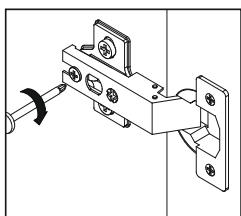
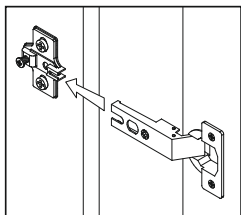
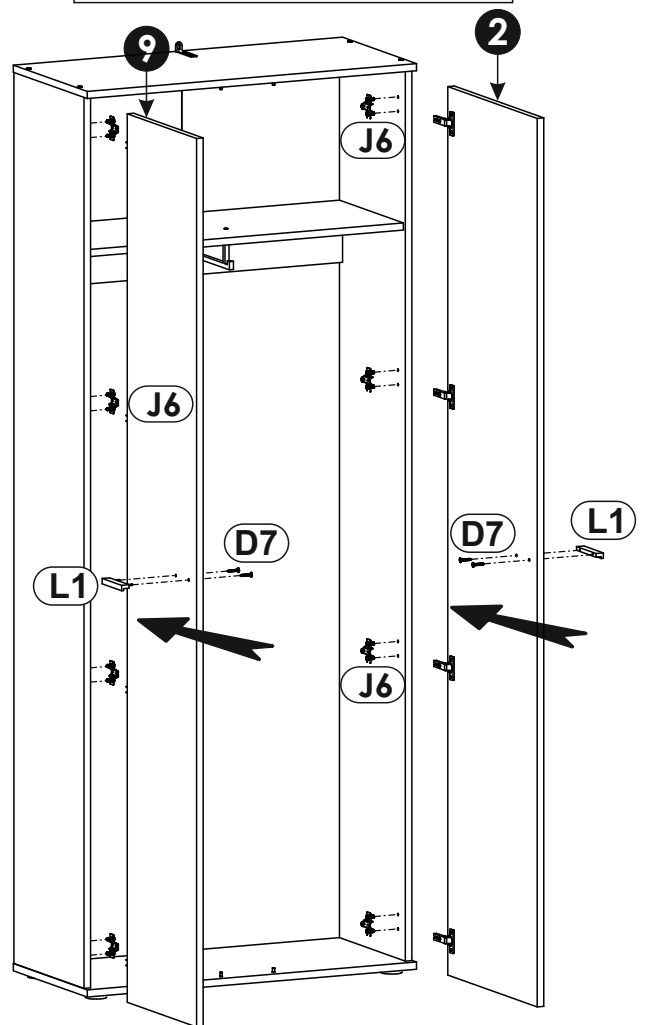
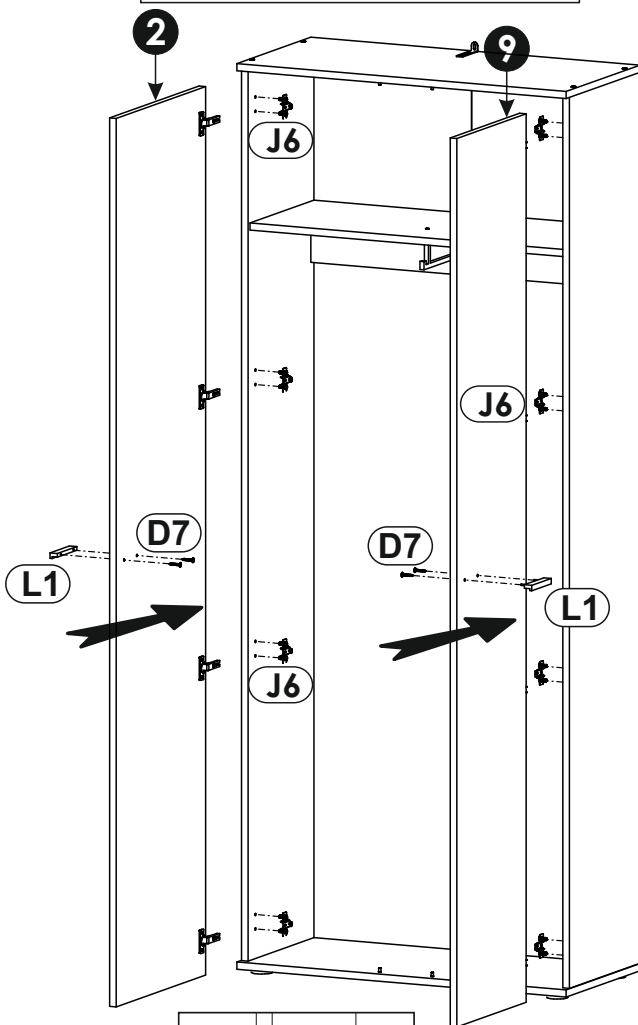
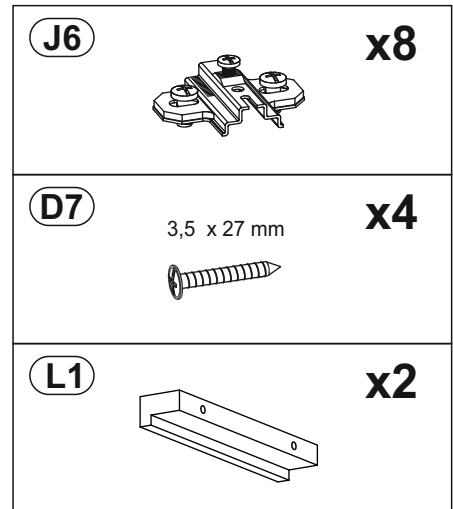
D10 4 x 16 mm 	x8	J8 	x4
--	-----------	--	-----------





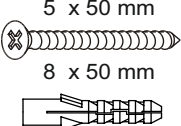
16 ▶ A



16 ▶ B



18 ▶

B0  x4	C0  x4	E0  5 x 50 mm 8 x 50 mm x1
---	---	---

