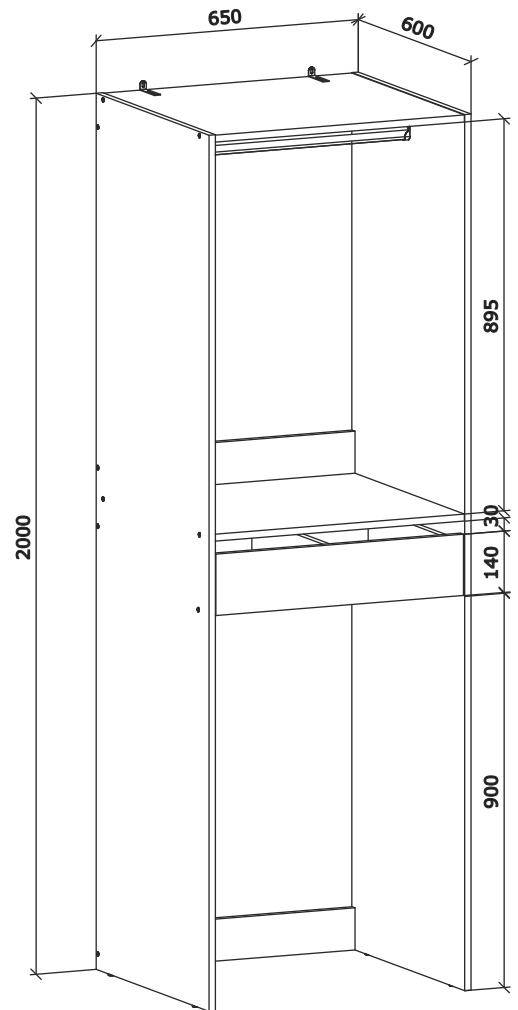
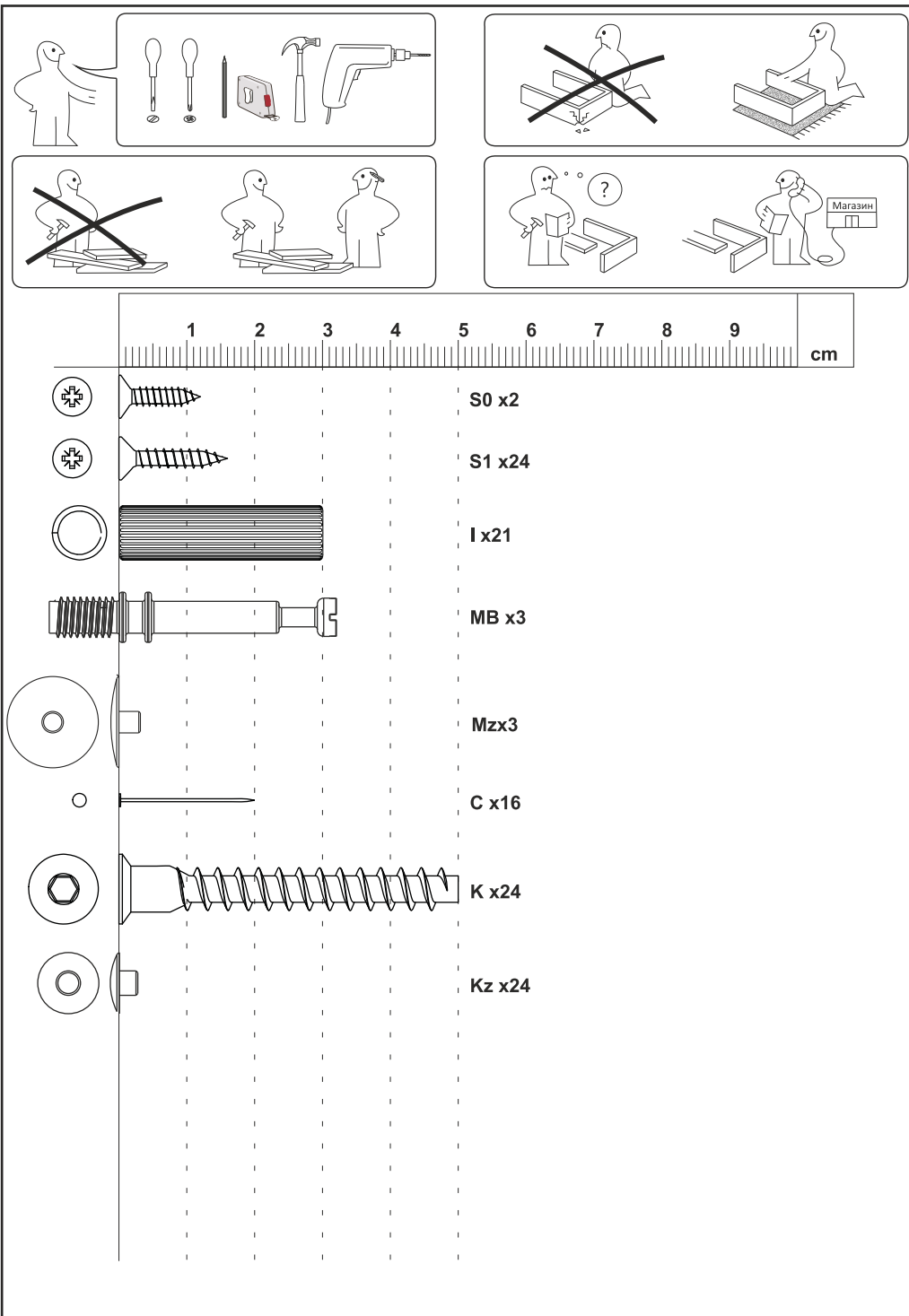


(EN) Assembly instructions



	<p>SVENSKA INFORMATION Läs noggrant igenom alla säkerhetsinstruktioner och försiktighetsåtgärder som anges i denna manual innan du använder produkten. För att undvika skador på dig eller andra personer, läs och förstå alla säkerhetsinstruktioner och försiktighetsåtgärder som anges i denna manual.</p>	<p>Important information Read carefully. Keep the information for further reference.</p>	<p>Wichtige Information Sorgfältig lesen. Diese Information aufbewahren.</p>	<p>Ważna informacja Przeoczytaj uważnie. Zachowaj informacje do późniejszego skorzystania z nich.</p>	<p>Divulga informazio Onda lea atentamente. Mantén a disposición a información para referencia.</p>	<p>Divulga informazio Onda lea atentamente. Mantén a disposición a información para referencia.</p>
<p>IT AVVERTENZA</p> <p>Se si mobile si rischia poi causare lesioni da compressione serie o fatali. Per prevenire il rischio che il mobile si ribalti, quest'ultimo andrà ancorato a parete.</p>	<p>NL WAARSCHUWING</p> <p>Wanneer meubels omvallen, kan er ernstig of levensbedreigend letsel/verminking ontstaan. Om te voorkomen dat dit meubel omvalt, dient dit meubel aan de wand te worden bevestigd.</p>	<p>FR AVERTISSEMENT</p> <p>Risque de blessure grave en cas de chute du mobile. Pour éviter que le mobile ne bascule, il faut le fixer au mur de façon permanente.</p>	<p>RO ATENȚIE</p> <p>Pozi șezutului înalt poate deveni împiedicătoare din cauza riscului de răsturnare. Pentru prevenirea accidentelor, produsul trebuie fixat permanent la perete.</p>	<p>TR UYARI</p> <p>Yüksek devrimli sandalye düşme riskiyle birlikte kullanılmamalıdır. Mobilyanın devrilme riskini önlemek için mobilyanın duvara kalıcı olarak sabitlenmelidir.</p>	<p>ES ADVERTENCIA</p> <p>Pueden producirse lesiones graves o fatales si vuelca un mueble. Para evitar que vuelva a caerse, este mueble debe fijarse permanentemente a la pared.</p>	
<p>HR UPOREZNE</p> <p>Ako se namještalje prevrne može doći do ozbiljnih ili smrtislojnih povreda. Kako bi izbjegli preokretanje, namještalju mora biti pričvršćen na zid.</p>	<p>SRB UPOREZNE</p> <p>Mogu nastati ozbiljne povrede usled prevrtanja namještalje. Da ovaj namještalj ne bi pao, mora se stalno biti pričvršćen za zid.</p>	<p>HU FIGYELM</p> <p>Azútlal, felhővesztés súlyos, vagy akár végzetes balesetet okozhat. Ahhoz, hogy ezt megelőzzük, ügyeljen arra, hogy a bútort mindig szilárdan rögzítse a falhoz.</p>	<p>UA УВАГА</p> <p>Якщо мебел перевернеться, це може призвести до важких травм або смертельних поранень. Щоб уникнути перевертання, мебел повинно бути надійно закріплено до стіни.</p>	<p>UA УВАГА</p> <p>Якщо мебел перевернеться, це може призвести до важких травм або смертельних поранень. Щоб уникнути перевертання, мебел повинно бути надійно закріплено до стіни.</p>	<p>DK ADVARSEL</p> <p>Der kan opstå alvorlige eller livsfarlige ulykker, hvis møbel vælter. For at undgå at møbel vælter, skal det fastgøres permanent til væggen.</p>	
<p>RU ВНИМАНИЕ</p> <p>Опасно использовать мебель, может повлечь серьезные или смертельные травмы. Чтобы избежать опрокидывания, мебель необходимо надежно закрепить на стене.</p>	<p>BY ВНИМАНИЕ</p> <p>Пераварэнне іх на стале небяспечна можа прывесці да цяжкіх параненняў ці смерці. Каб ухіліцца ад пераварэння, гэтую мэбэль трэба надзейна замацаваць на сцяне.</p>	<p>SE VARNING</p> <p>Advärja eller inställning skilsmålor kan ske om möbel tipsar över. För att förhindra att detta sker bör möbeln fästas på väggen.</p>	<p>NO ADVARSEL</p> <p>Årsaker til ulykker kan skje som følge av møbel som velt. For å forhindre at dette møbelet faller, må det festes permanent til vegg.</p>	<p>FI VAROITUS</p> <p>Huononvälikönnin vaurioitumin voi aiheuttaa vakavia tai kuolemaan johtavia vammoja. Käsitönnin vaurioitumin välttämiseksi tuule möönnin kiinnitys seinään.</p>	<p>GR ΠΡΕΒΑΔΟΤΗΤΗ</p> <p>Εξοπλισμό που μπορεί να αναποδογείρει, μπορεί να οδηγήσει στο τραυματισμό ή στην απώλεια της ζωής. Για να αποφευχθεί αυτό, ο εξοπλισμός πρέπει να είναι πάντα στερεωμένος στην τοίχο.</p>	
<p>RU ВНИМАНИЕ</p> <p>Опасно использовать мебель, может повлечь серьезные или смертельные травмы. Чтобы избежать опрокидывания, мебель необходимо надежно закрепить на стене.</p>	<p>BY ВНИМАНИЕ</p> <p>Пераварэнне іх на стале небяспечна можа прывесці да цяжкіх параненняў ці смерці. Каб ухіліцца ад пераварэння, гэтую мэбэль трэба надзейна замацаваць на сцяне.</p>	<p>SE VARNING</p> <p>Advärja eller inställning skilsmålor kan ske om möbel tipsar över. För att förhindra att detta sker bör möbeln fästas på väggen.</p>	<p>NO ADVARSEL</p> <p>Årsaker til ulykker kan skje som følge av møbel som velt. For å forhindre at dette møbelet faller, må det festes permanent til vegg.</p>	<p>FI VAROITUS</p> <p>Huononvälikönnin vaurioitumin voi aiheuttaa vakavia tai kuolemaan johtavia vammoja. Käsitönnin vaurioitumin välttämiseksi tuule möönnin kiinnitys seinään.</p>	<p>GR ΠΡΕΒΑΔΟΤΗΤΗ</p> <p>Εξοπλισμό που μπορεί να αναποδογείρει, μπορεί να οδηγήσει στο τραυματισμό ή στην απώλεια της ζωής. Για να αποφευχθεί αυτό, ο εξοπλισμός πρέπει να είναι πάντα στερεωμένος στην τοίχο.</p>	



Laminated surfaces. Apart from general care means (see above) it is also acceptable to use polishers for plastics.
Timber surfaces (including surfaces coated with natural veneer). One should remember that all timber surfaces might change their appearances in time not only because of the environment conditions but also because of the owner care approach. Apart from the general maintenance care conditions (see above) it is also recommended to use soft or suede cloth. By the end of the cleaning process always thoroughly dry moistened areas (wipe-out with a dry cloth). Reasonable alternative to this is a regular dry cleaning using a vacuum cleaner equipped with a "soft brush" type nozzle. It is recommended to use polishers for timber materials.

Lacquered surfaces. One should remember that all lacquered surfaces could change color in time not only because of the environment climatic conditions and care but what is the most important because of the light exposure. For cleaning purposes it is recommended to use mainly dry or suede cloth using special purpose cleaners. Use of the polishers for lacquered surfaces is acceptable. For all types of the surfaces, polishing (treatment) it is not tolerated to use polishers (other household chemicals) prohibited for contacts with food products. Carefully read chemicals application instructions! It is strictly prohibited to use hard tools for

cleaning (e.g. scrapers, sponges of plastic or metal fiber work surfaces materials).
Useful prevention actions: After certain operation period it might happen that some metal parts (hinges, locks etc.) loose their alignment adjustment and lubrication made in the furniture assembly phase. Such a state could be followed by squeaking, difficult doors opening or drawers sliding etc. Hence, operating the furniture there is no need to use excessive force to open the doors, drawers and other moving parts their proper operation shall be ensured by timely hinges adjustment, paraffin or similar type lubrication

of the guiding rails. Threaded joints need to be periodically tightened when loosed.
MDF (Medium Density Fiberboard) Facades coated with PVC (Polyvinylchloride) film.

*Furniture facades made of MDF material and coated with PVC film designed for cabinet furniture to be installed in the premises without rough temperature gradients and relative humidity not more than 85%.

*It is not recommended to expose facades to prolonged impact of the hot air (e.g. from ajar stove door) since it could lead to the film delamination or deformation. Please leave space gaps between not built-in stove and the furniture (not less than 15 mm on both sides).

*Avoid direct contact of the facades with surfaces which temperature exceeds +60°C .
 *Do not expose facades to the high temperature drops!

*Do not use abrasive cleaning powders and solvents. If necessary, it is recommend to use soft cloth with soap or other detergents, to clean the front surfaces of the furniture facades and then wipe them dry.

*It is not recommended to rub facades, especially coated with glossy films, as it leads to the fine scratches formation visible in reflected light.

*Remove protective film facades coated with glossy PVC only after the furniture installation without using sharp tools. Before use of any permitted mechanical means after protective coating removal let 72 hours for facades glossy surface final crystallization and solidification.

*It is recommended to install ELECTRICALLY DRIVEN ASPIRATION UNIT to avoid direct contact of the facades with vapors which over the time could deteriorate appearance and lead to the film delamination or deformation.

*Keep cookware inside the kitchen furniture only in dry state. Cabinet furniture (wardrobes, shelves, halls, kitchen tables, pedestals, etc.) should be used according to their functional purposes.

Countertops
 *Countertops junction seams shall be encapsulated with silicone sealant. Seal of the wall rim to be tightly compressed to the top surface. Countertops cut edges for equipment insertion (slab cuts, cutting for sink placement) should be covered with silicone sealant

in the cutting areas. Use gaskets supplied with installed equipment.

Countertops operation:
 *It is recommended to operate countertops in the premises with indoor temperature not lower than +10 °C and relative humidity 45 to 70%.

*Countertops should not be installed in vicinity to continuously cold and wed walls or heat sources (electric heaters or water radiators).

*Countertop surface should be protected from contacts with liquids and especially with solvents for lacquer and paints (e.g. acetone, petrol, alcohol etc.). Accidental liquids on the countertop surface should be immediately wiped with a dry cloth.

*Water does not damage countertop surface but could have a negative impact on the base material. It is necessary to wipe off the water quickly, so the moisture will not penetrate into the base material (for example, through the joints).

*Countertops of the kitchen furniture especially sensitive to moisture. Therefore it is strictly prohibited to damage sealing layer of the joints. If the water comes into the joint area it should be immediately wiped to avoid penetration into the tabletops base material.

*Boiling water drops or hot food does not damage the countertop but deep spots occurrence is possible. Be sure to wipe the countertop with a damp cloth.

*It is not tolerated to place on the plastic surface lit cigarettes, hot flat iron, backing trays and pots etc. just taken out of the stove. Be sure to use heat insulation pads.

*It is not tolerated to defrost food products and leave them for prolonged time period on the countertop since rough temperature drop could damage the base material.

*It is not tolerated to treat and products on the countertop surface, scratch it with knife or other pieces.

*immediately wipe and then thoroughly wash countertop surface after contact with the red beet juice, juice concentrates, dyes, chemicals, active bleaching or cleaning substances.

*It is recommended to rub the surface with slightly damped soft cloth.
 *Do not use soda, powders and pasted not intended for furniture care.

Lacquered surfaces. One should remember that all lacquered surfaces could change color in time not only because of the environment climatic conditions and care but what is the most important because of the light exposure. For cleaning purposes it is recommended to use mainly dry or suede cloth using special purpose cleaners. Use of the polishers for lacquered surfaces is acceptable. For all types of the surfaces, polishing (treatment) it is not tolerated to use polishers (other household chemicals) prohibited for contacts with food products. Carefully read chemicals application instructions! It is strictly prohibited to use hard tools for

cleaning (e.g. scrapers, sponges of plastic or metal fiber work surfaces materials).

EN Dear customer!

Thank you for purchasing our parts and frames for the cabinet furniture. We are confident that furniture products life time will be long enough when manuals and maintenance guidelines met. You will be pleased with a decision to choose our products.

Guidance for the furniture safe use and care

Before you buy a furniture piece, please check completeness and external quality properties. In case of any defects revealed, please contact your vendor for remedy. Furniture elements peculiarities derived from the Manufacturer design stylistics shall not be considered as defects. Natural properties on the materials shall not be also considered as defects (e.g.: insignificant differences of textures and color shades of solid wood, veneer, natural stones etc.).

Assembly of individual parts and frames into finished product.

Furniture assembly for finished product, shall be made strictly meeting separate parts assembly sequence. During assembly, invisible and not face edges of the board elements (if any) should be covered with protective coating which could be the following: latex paint; paraffin; polyvinyl acetate emulsion glue; paper with glue basis. It is recommended to mount upper drawers onto brick or concrete walls using nylon dowel pins; in case of the other wall materials, it is required to purchase relevant mounting parts. Shortcomings and defects of the furniture elements occurred as a result of self-delivery, assembly and mounting process shall not be a subject of remedy by Manufacturer.

General pre-conditions for furniture safe use (storage) and care.

Time period when the furniture retains its' appearance and state to great extent depends on the operation conditions. Since the furniture is sensitive to excessive light, humidity, dryness, heat and cold conditions, it is recommended to avoid prolonged exposure to one or more of these impact factors, as it causes accelerated aging of the paint, warping and deformation of timber furniture elements, aging, and delamination peeling of the facing materials.

Light

Avoid direct sunlight on furniture products. Prolonged sunlight impact on some furniture parts could reduce their chromatic properties compared to other parts, less exposed to solar irradiation. In case of further replacement and/or addition of the extra components in the future, there could be a coloration difference of the furniture elements. This difference, becoming less noticeable over the time is completely natural and therefore shall not be considered a sign of poor furniture products quality.

Temperature

High heat or cold impacts and rough temperature drops could cause a serious damage to furniture products or parts thereof. Furniture items shall not be located closer than for 1 m distance from the heat sources.

When installing the furniture elements in the immediate vicinity of heating source and heating radiators, their surfaces during the operation must be protected from heat impact. Furniture elements temperature should not exceed +40°C.

Avoid contacts with high temperature items (e.g. hot flatiron, tableware with boiled water etc.) or prolonged impact of the light irradiation (light from high capacity bulbs, unshielded microwave sources etc.)

Humidity

Recommended relative indoor humidity for furniture placement is 60% to 70%. Long terms periods of high humidity or extreme dryness in the premises and especially periodic changes of these conditions should be avoided. Over the time, such conditions may affect the integrity of the furniture items or their components. However, if due to some reasons you have created such conditions, it is recommended to ventilate the room often and when possible to use air dehumidifiers or humidifiers to normalize indoor environment moisture content. Keep furniture surfaces completely dry. Furniture elements surfaces should be wiped out with dry soft fabric (e.g. flannel, cloth, plush, muslin). Work surfaces care (i.e. table tops, sinks etc.) as a rule should be made with soft wet cloth, foam sponge or special brushed possibly using relevant washing means. It is recommended to clean any part of the furniture as soon as possible after been soiled. If you leave the dirt for a while on, it will significantly increase the risk of streaks and stains formation and damage to furniture elements and parts. In the case of persistent pollution it is recommended to use special cleaners. Follow cleaners' manufacturers guidance for use and scope of application (i.e. which surfaces and materials the cleaners are intended for).

Aggressive environment and abrasive materials.

Under no circumstances do not expose the furniture elements to aggressive liquids (acids, alkalis, oils, solvents, etc.) products containing such liquids or their vapors. Such substances or compounds are chemically active and reaction with them could lead to negative consequences for your property or even health status. One should also remember, that some specific detergents may contain high concentrations of corrosive chemicals and (or) abrasive compounds. Use of such detergents is unacceptable!

Airing.

It is recommended not to block the air intake grilles and apertures designed for ventilation purposes of electrical appliances. Cabinet furniture use peculiarities.

All heavy items should be placed inside the cabinets in a manner providing uniform load distribution over the entire area and to ensure necessary balance of the sliding parts.

Items on the shelves should be placed using the following approach: most heavy - closer to the edges (legs), lighter - close to the center. To ensure better stability of the high elements (columns, stacked cabinets, etc.), we recommend to load them first in the lower sections.

Static vertical load is not tolerated during the furniture operation (especially with the point-like load force): drawer bottom - more than 5 daN, shelves (cabinets, racks) more than 10 daN. Standard doors open force - up to 3 daN; slide out force for the drawer - up to 5 daN.

Do not push too much sliding or wing doors and accessories. This could lead to furniture accessories, components damages or even to human injuries.

Do not touch or hit furniture surfaces with sharp (cutting) or heavy tools.

We would like to drawdown your attention, that elements of the kitchen sets placed next to gas or electric stoves are the subjects of increased heat load impact and hence it is recommended to separate them from the heat sources with relevant thermal insulation materials.

We want you also to note that only specially designed "Built-in" consumer appliances could be installed inside of the furniture products. Such appliances manufactured according effective standards and technical specifications.

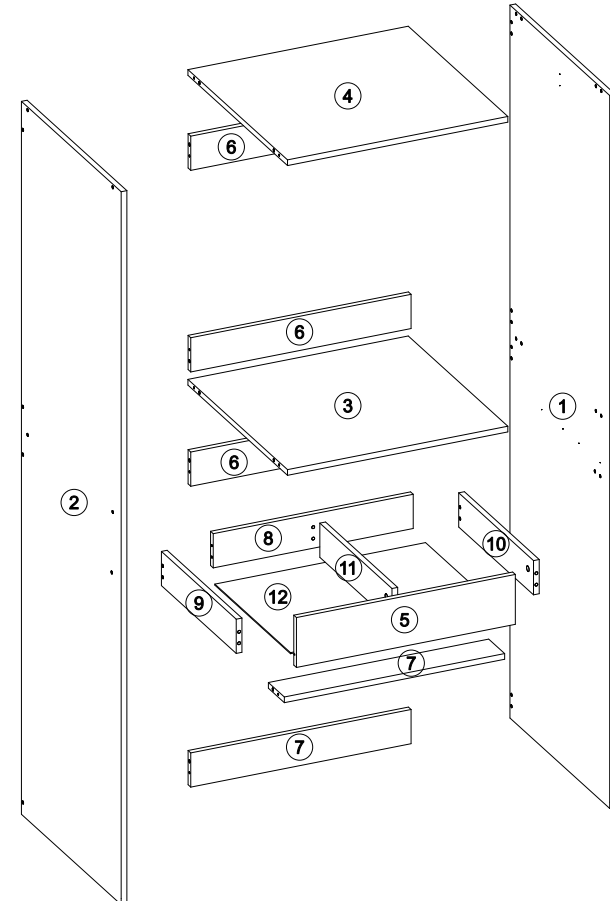
PLEASE NOTE! Never use conventional household appliances as built-in tools, otherwise it could be a real threat for human life and health and/or property safe keeping!

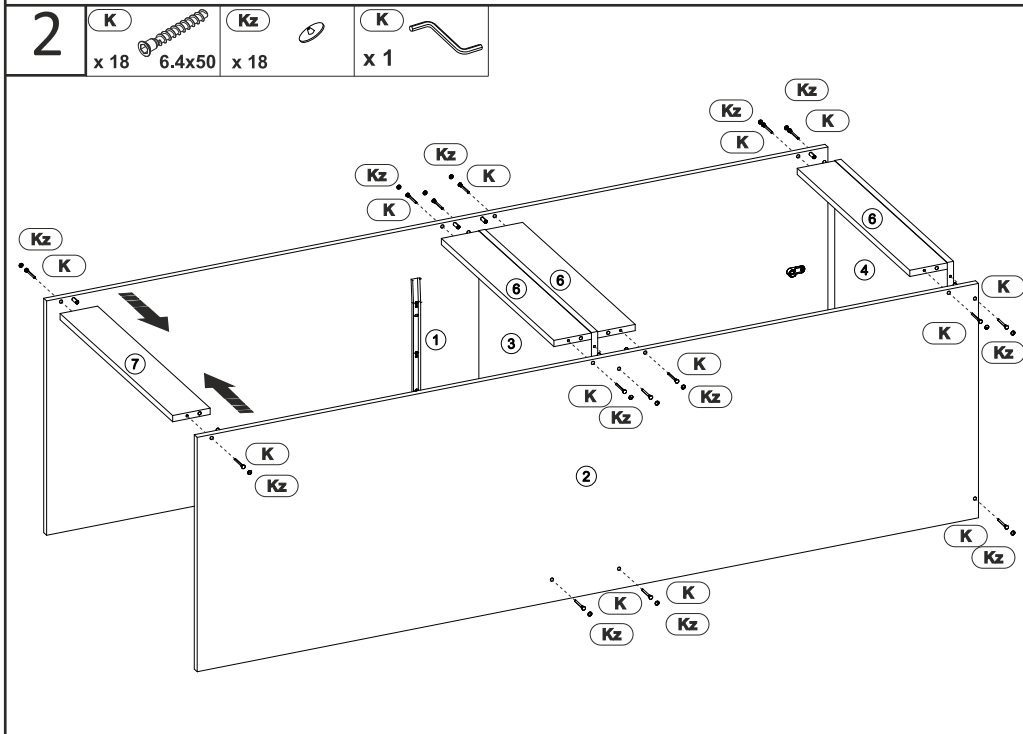
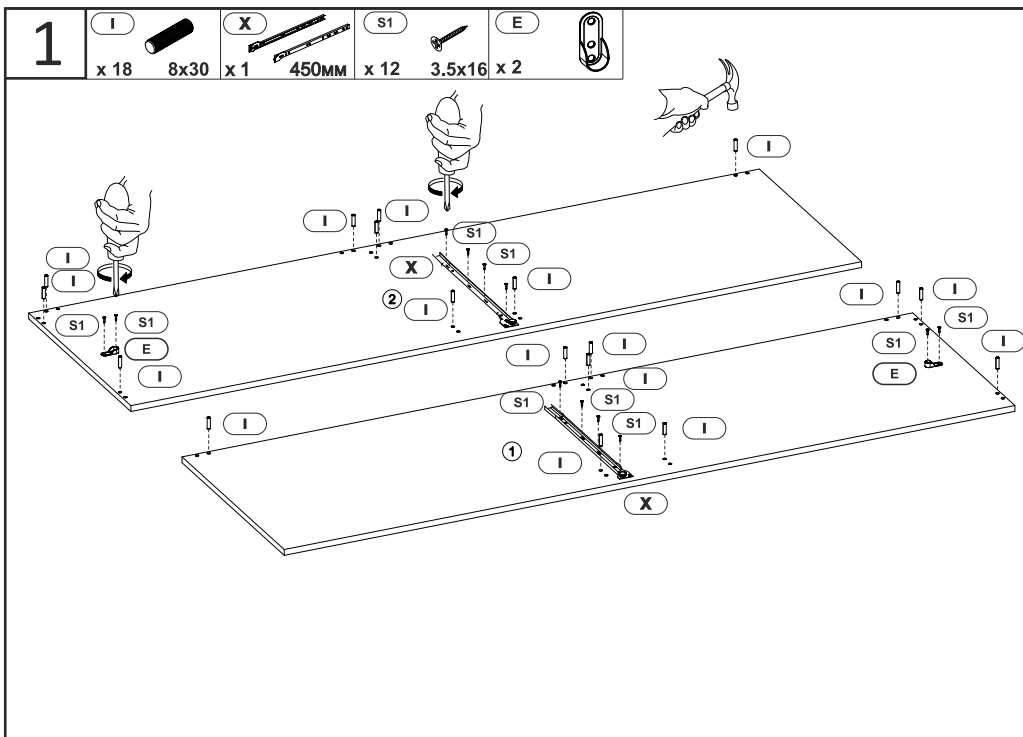
Cabinet furniture care procedures peculiarities.

Maintenance of the decorative and work surfaces coating requires some tools matching coating materials by their nature.

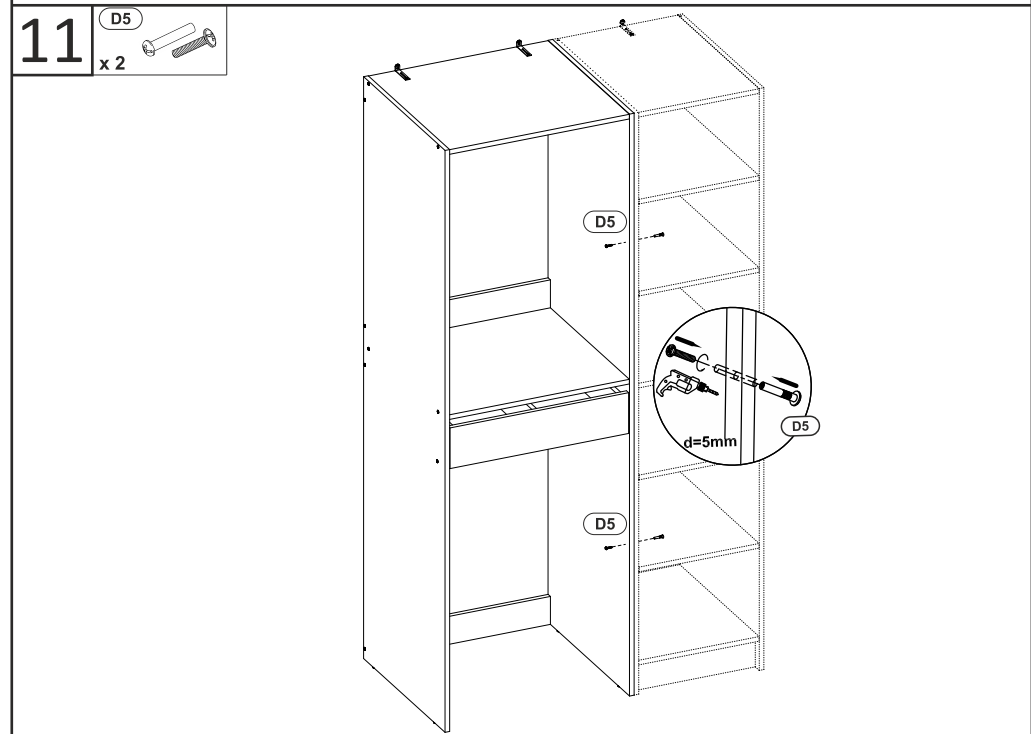
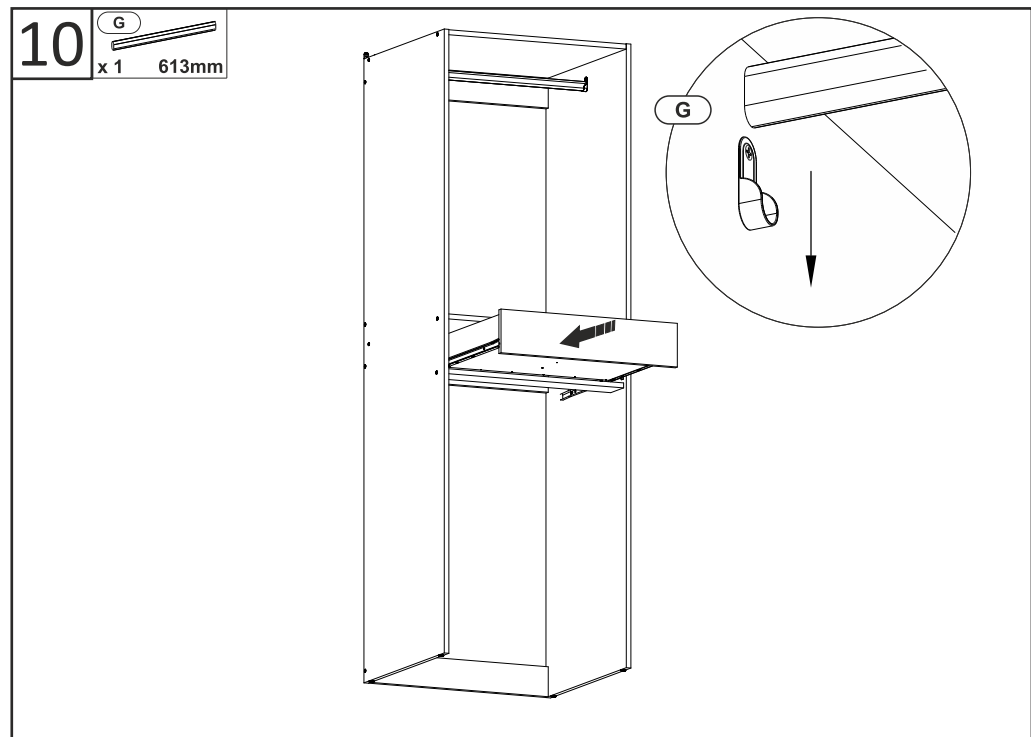
Nº	№ pack.	pcs	Size (mm)		
1	1	1	2000	600	16
2	1	1	2000	600	16
3	2	1	618	599	16
4	2	1	618	599	16
5	2	1	140	614	16
6	2	3	618	96	16
7	2	2	618	96	16
8	2	1	561	96	16
9	2	1	450	96	16
10	2	1	450	96	16
11	2	1	434	96	16
12	1	1	591	455	3
	2		accessories		

C x 16 1.6x20	D5 x 2	I x 21 8x30
F x 2	M x 3	MB x 3
Mz x 3	N x 4	O x 2
K x 24 6.4x50	Kz x 24	X x 1 450MM
S0 x 2 3.5x12	S1 x 24 3.5x16	Pz x 2
KK x 1	E x 2	G x 1 613mm





4/12



9/12

