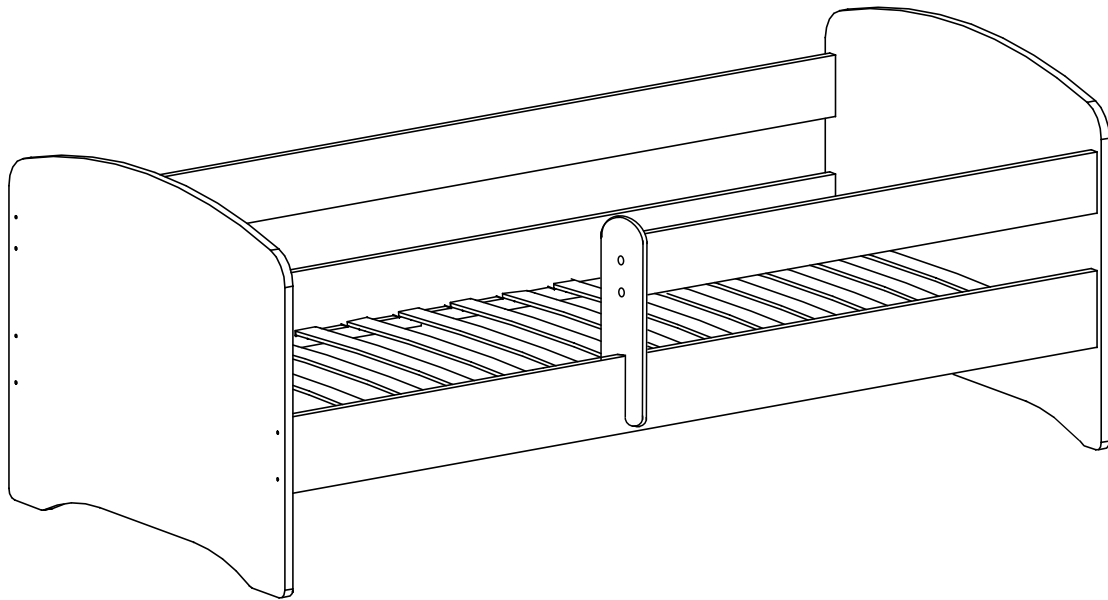
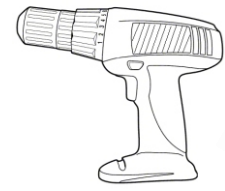
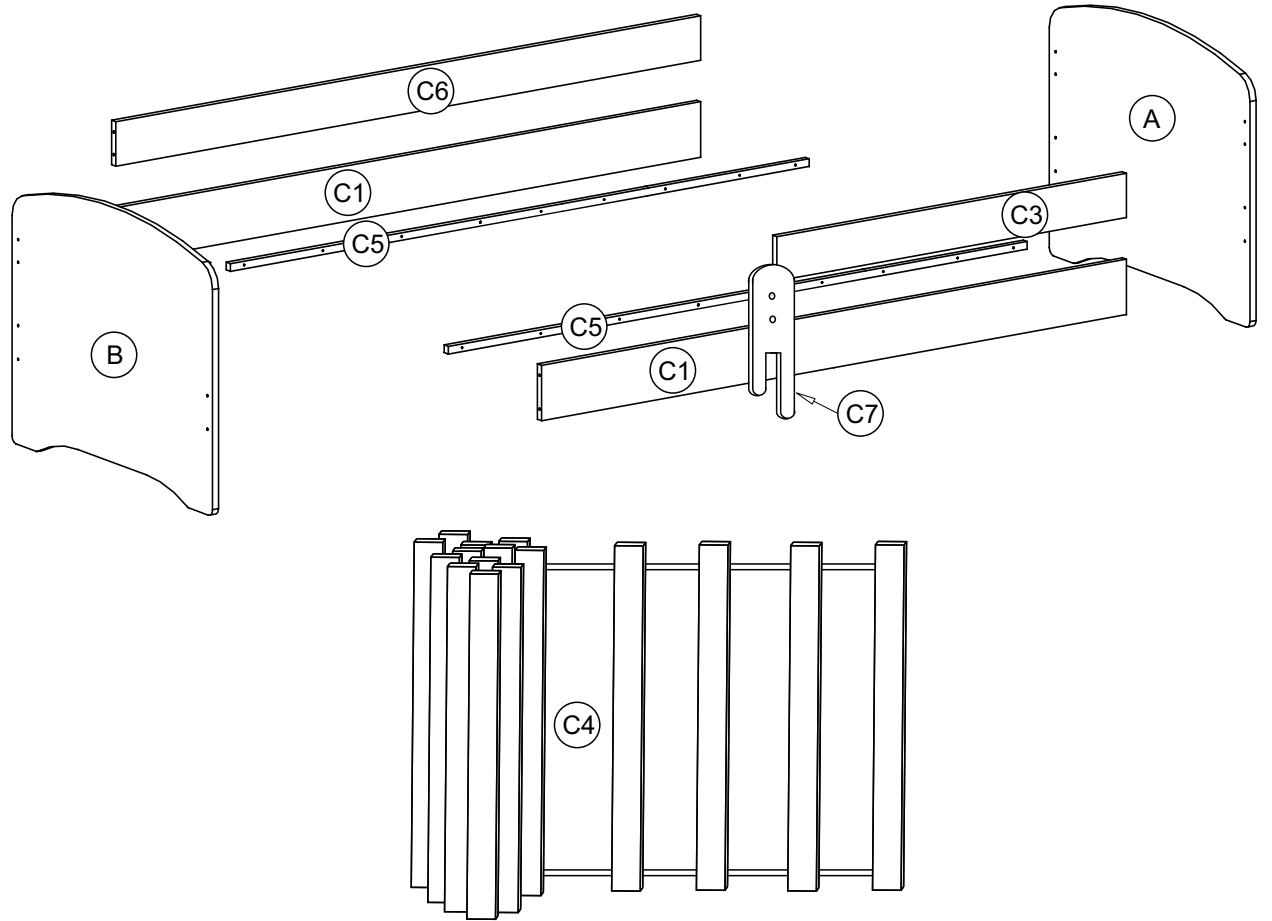


1

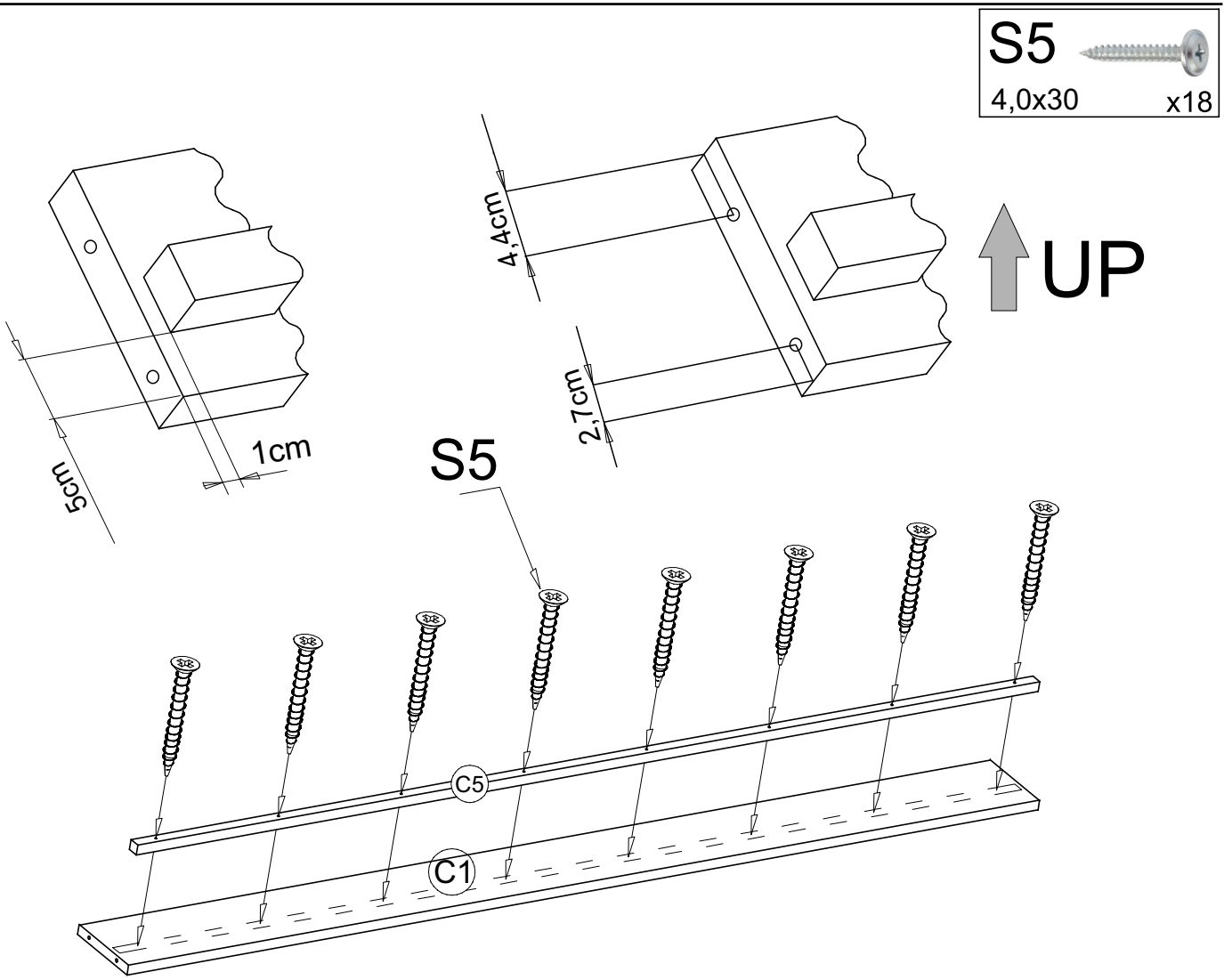


S1		16
S2		16
S3 3,5x20		6
S4		1
S5 4,0x30		18
S6		4
S7		

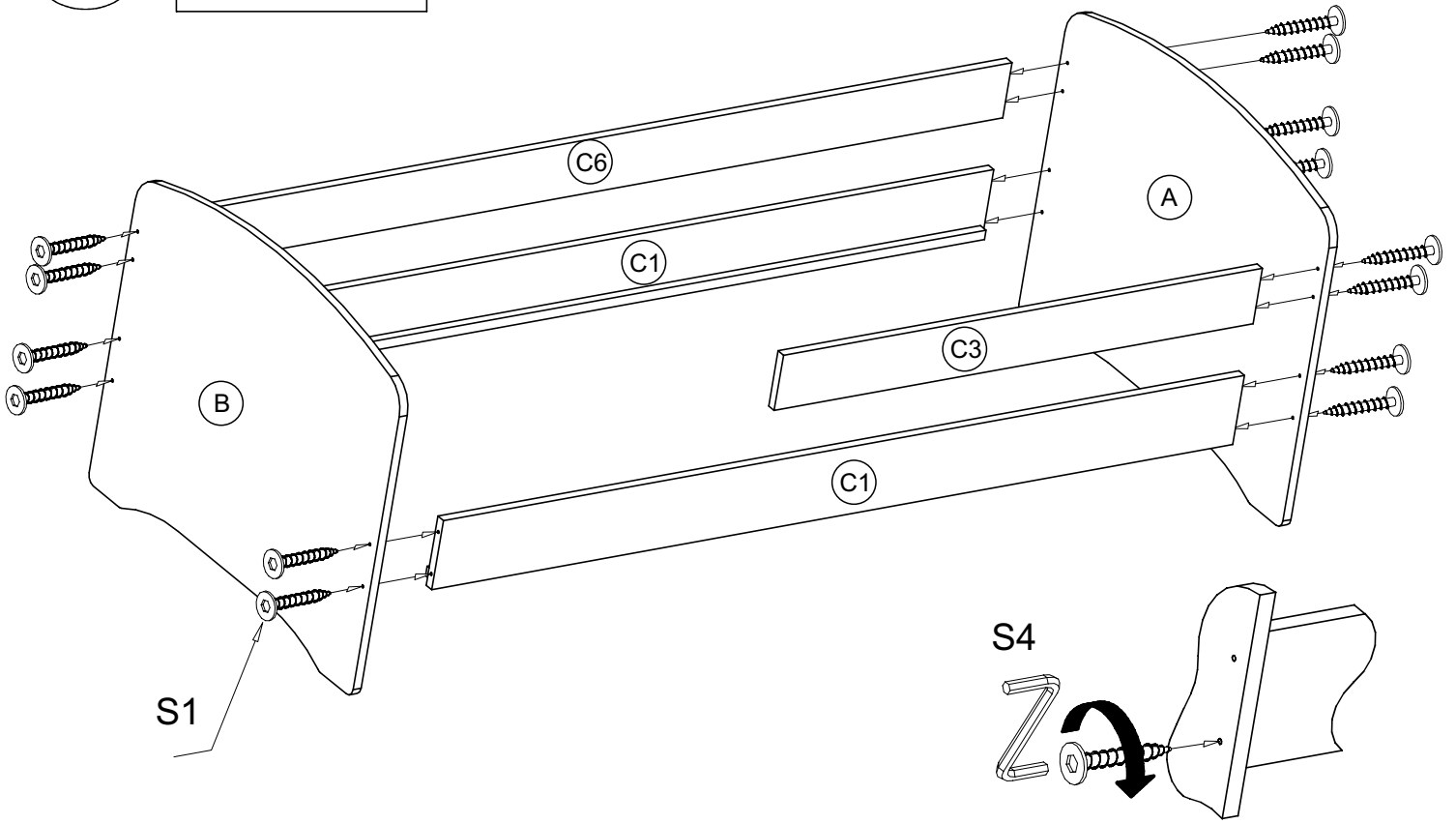
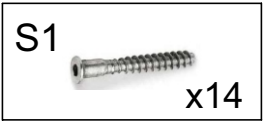
2



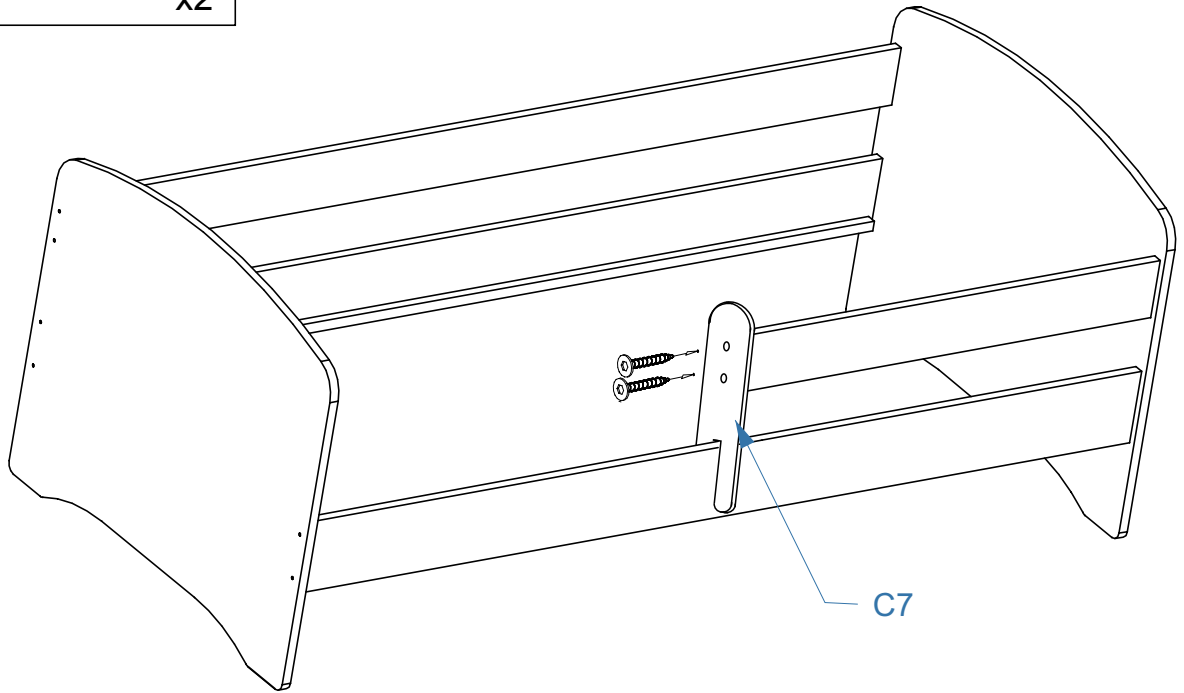
3



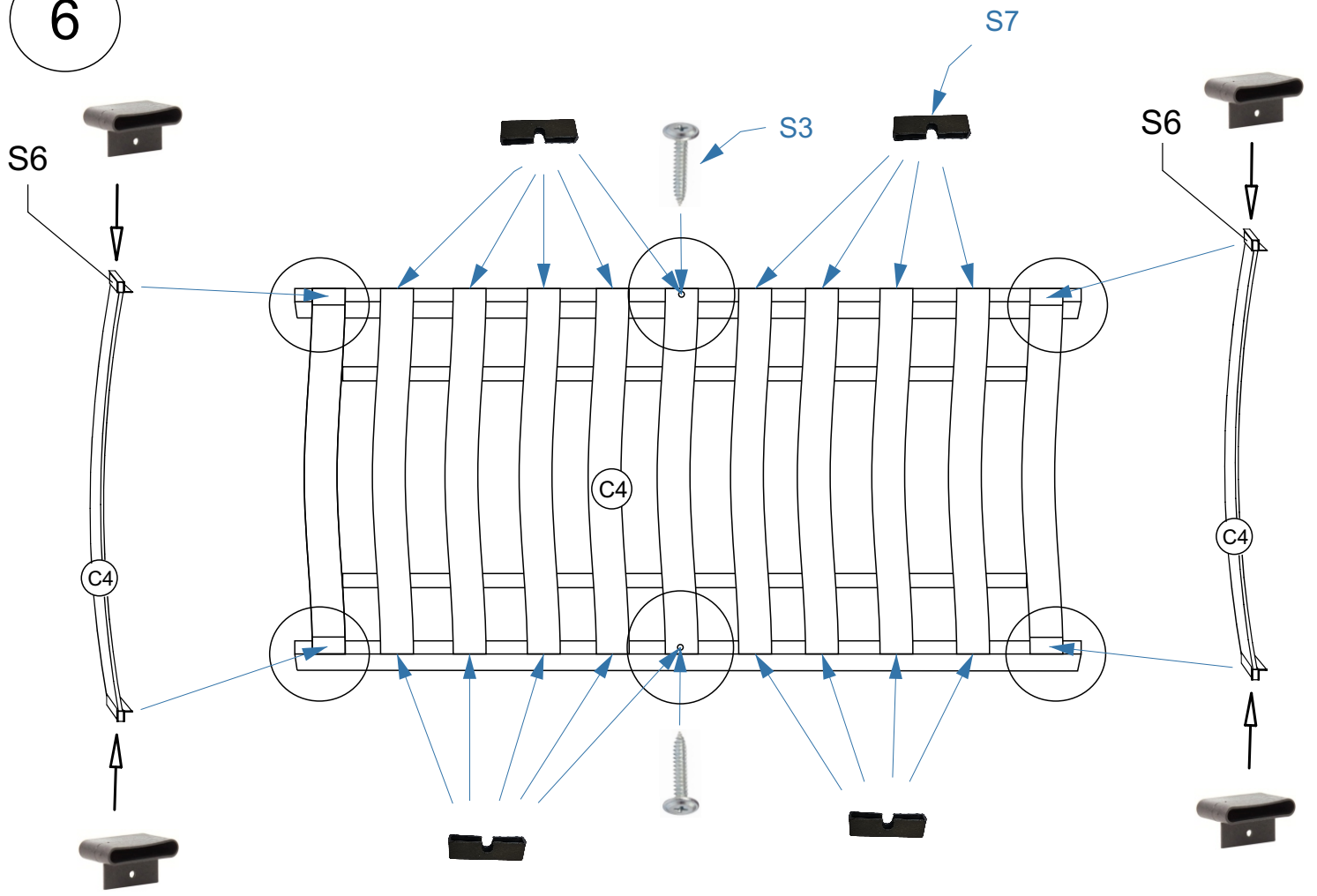
4



5



6



7

S3
3,5x20 x6

