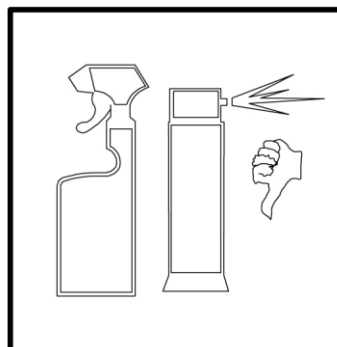
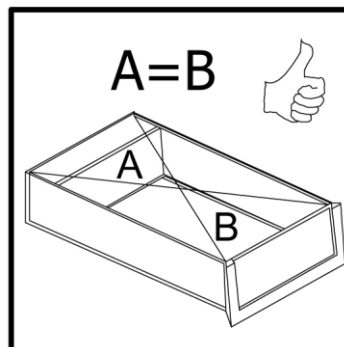
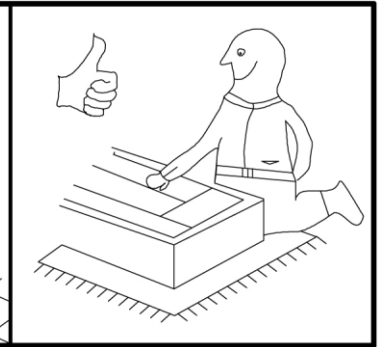
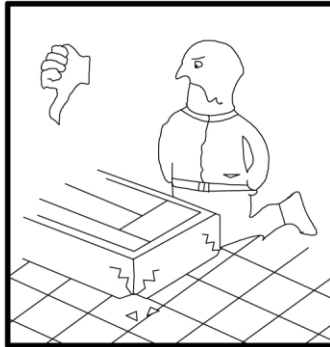
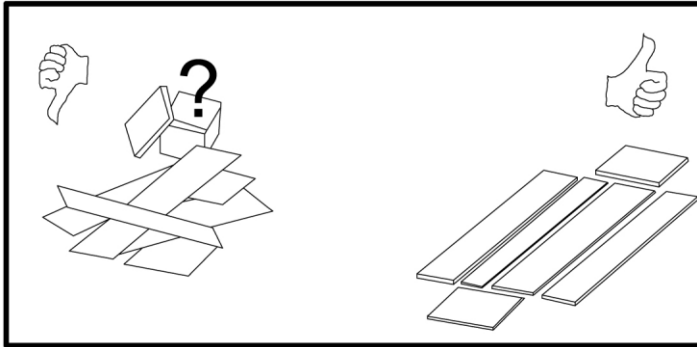
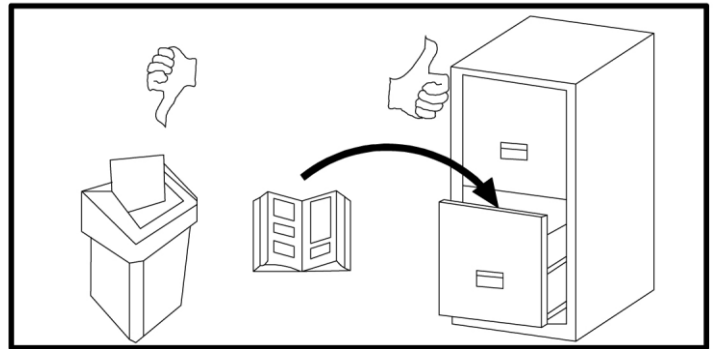
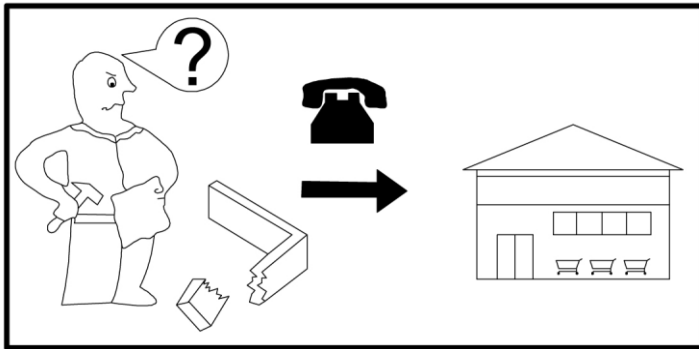
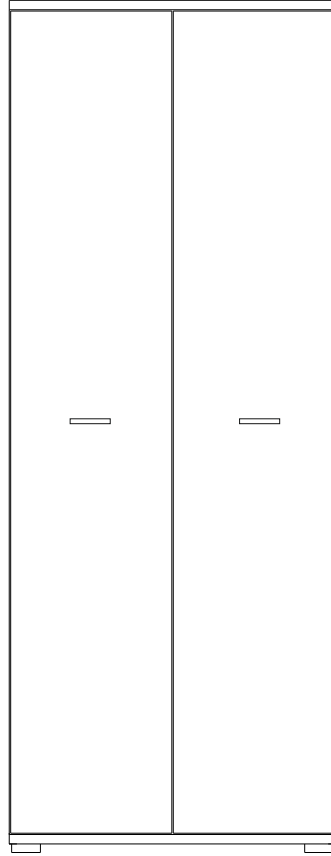
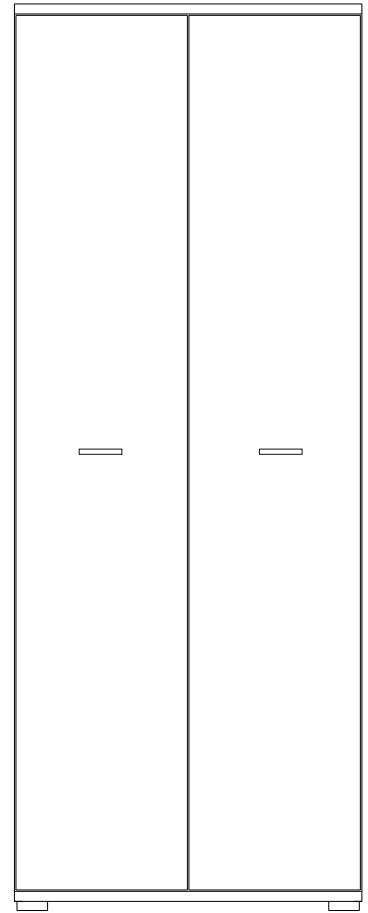
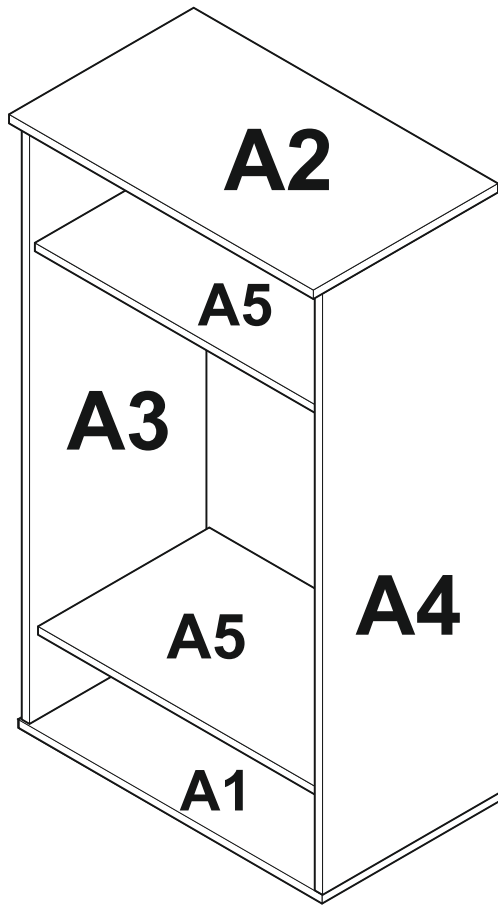
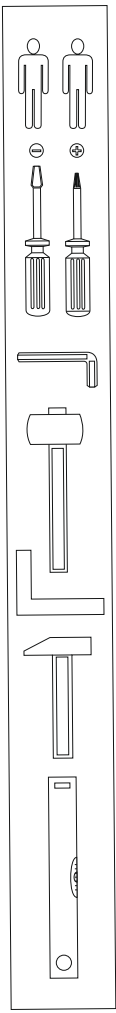

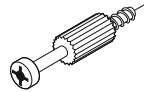


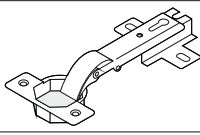


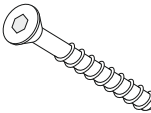


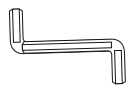

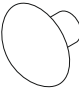
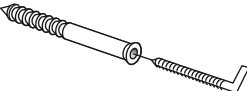


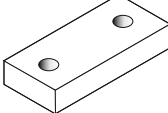
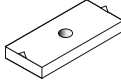

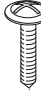
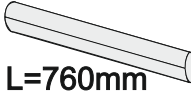

# CLIF SZ





1	 8x35	<u>X 16</u>
2		<u>X 8</u>
3		<u>X 2</u>
4	 3.5x30	<u>X 4</u>
5		<u>X 8</u>
6	 5x11	<u>X 24</u>
41		<u>X 1</u>

22		<u>X 8</u>
22A		<u>X 8</u>
12		<u>X 60</u>
26		<u>X 1</u>
9		<u>X 8</u>
9A		<u>X 8</u>
80		<u>X 1</u>

10		<u>X 4</u>
35		<u>X 12</u>
39	 3x20	<u>X 12</u>
4A	 4x16	<u>X 5</u>
93A	 L=760mm	<u>X 1</u>
93B		<u>X 2</u>

