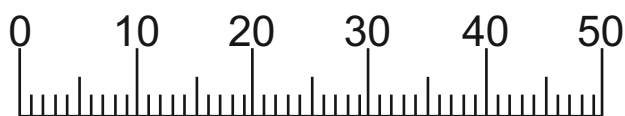
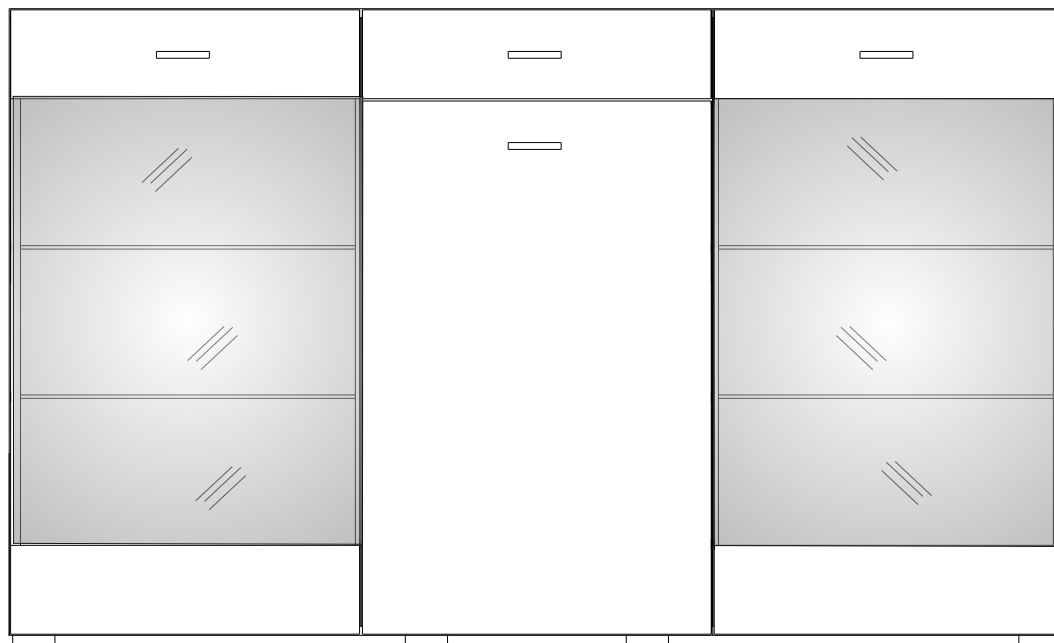
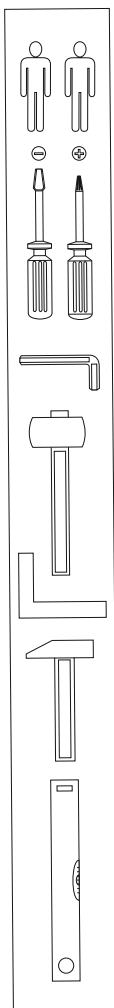

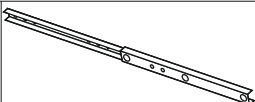
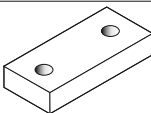
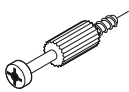

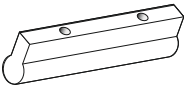



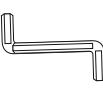

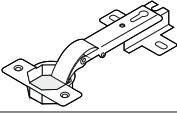





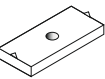

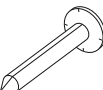
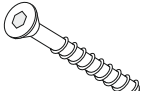


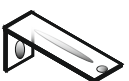
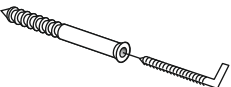
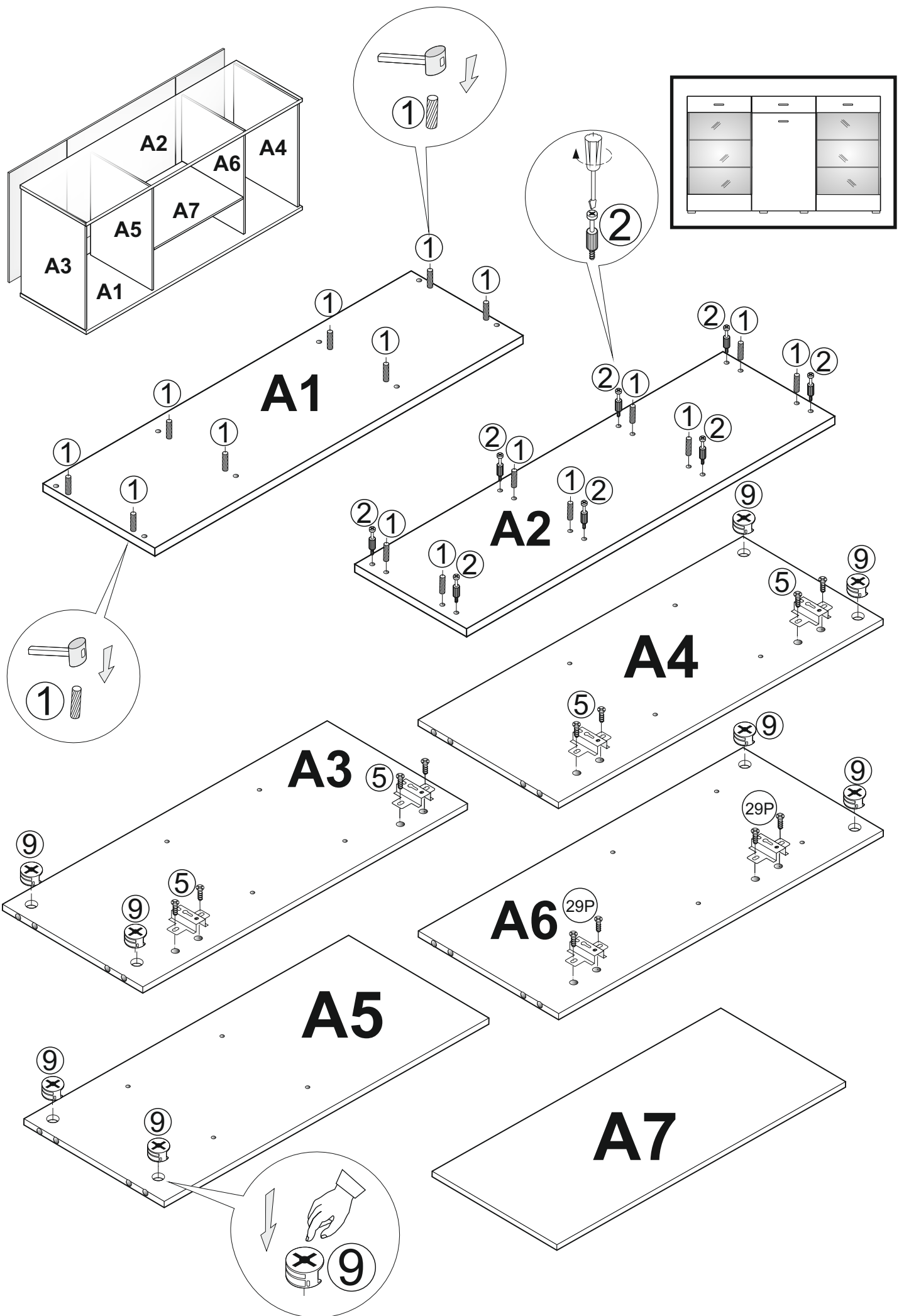
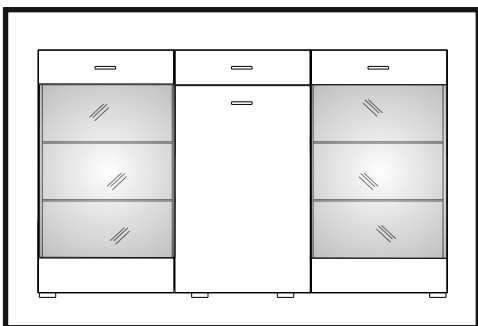
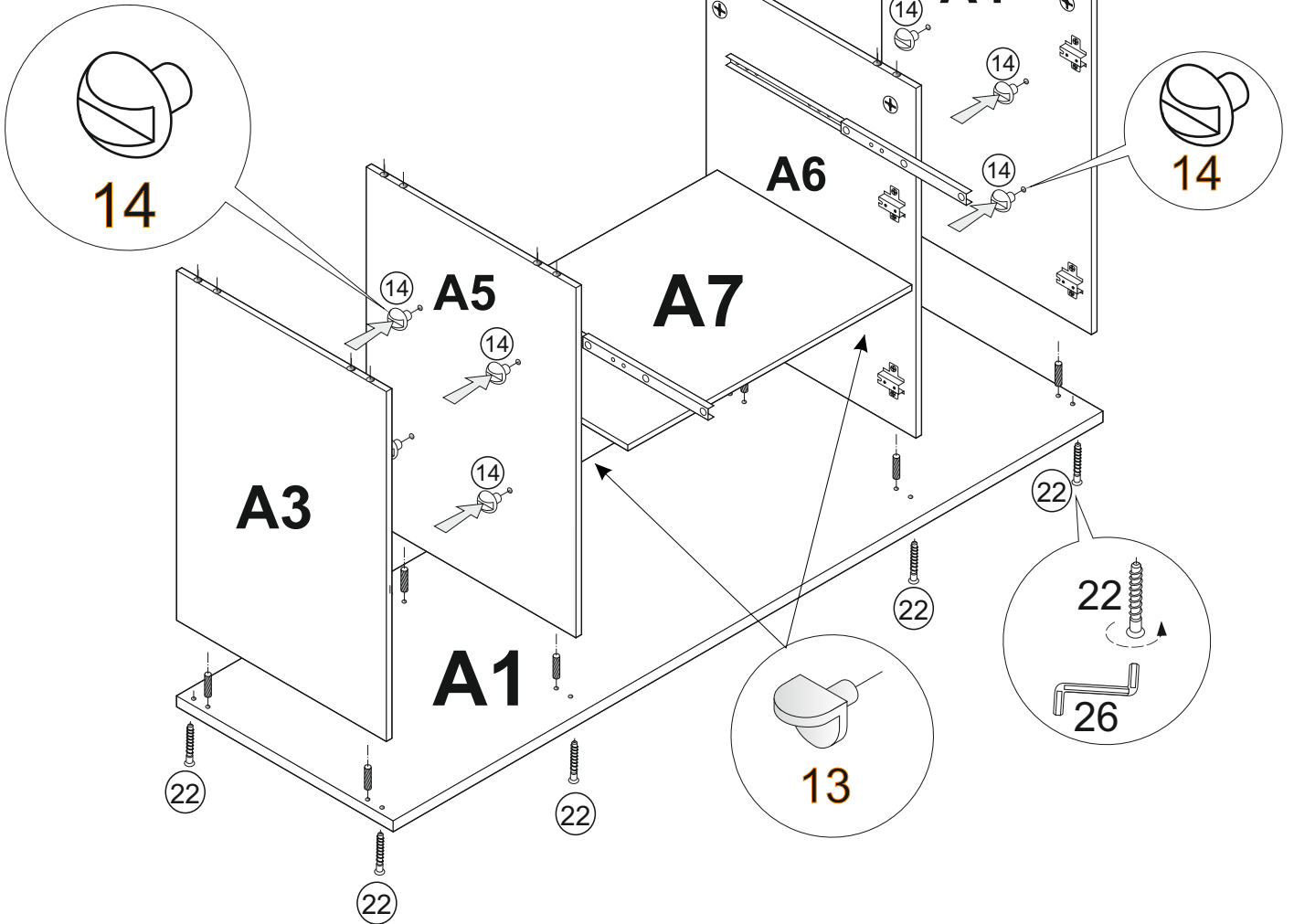
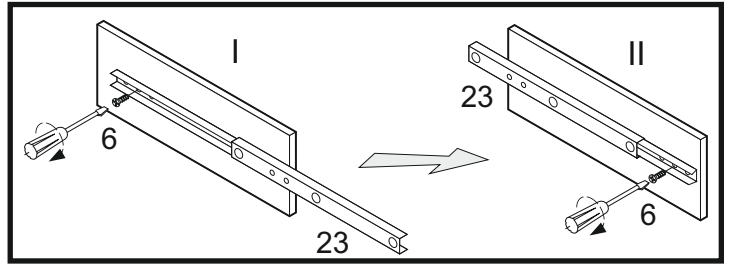
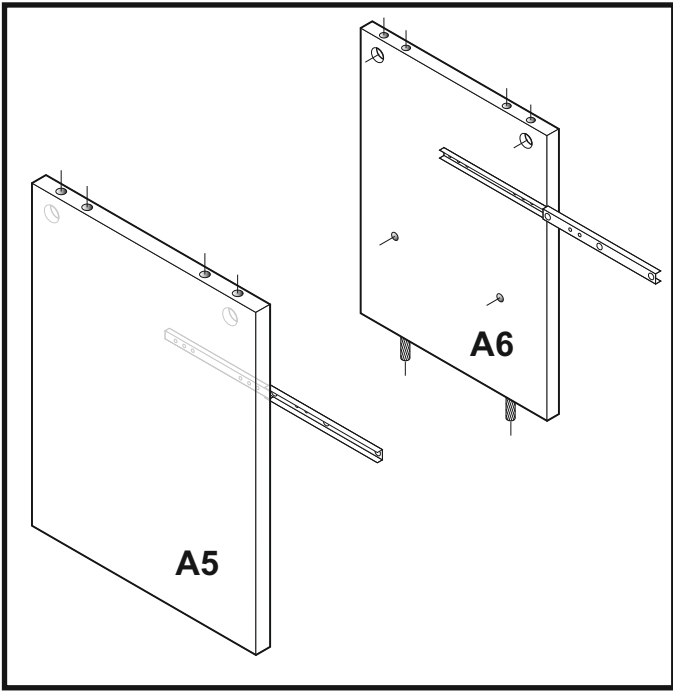


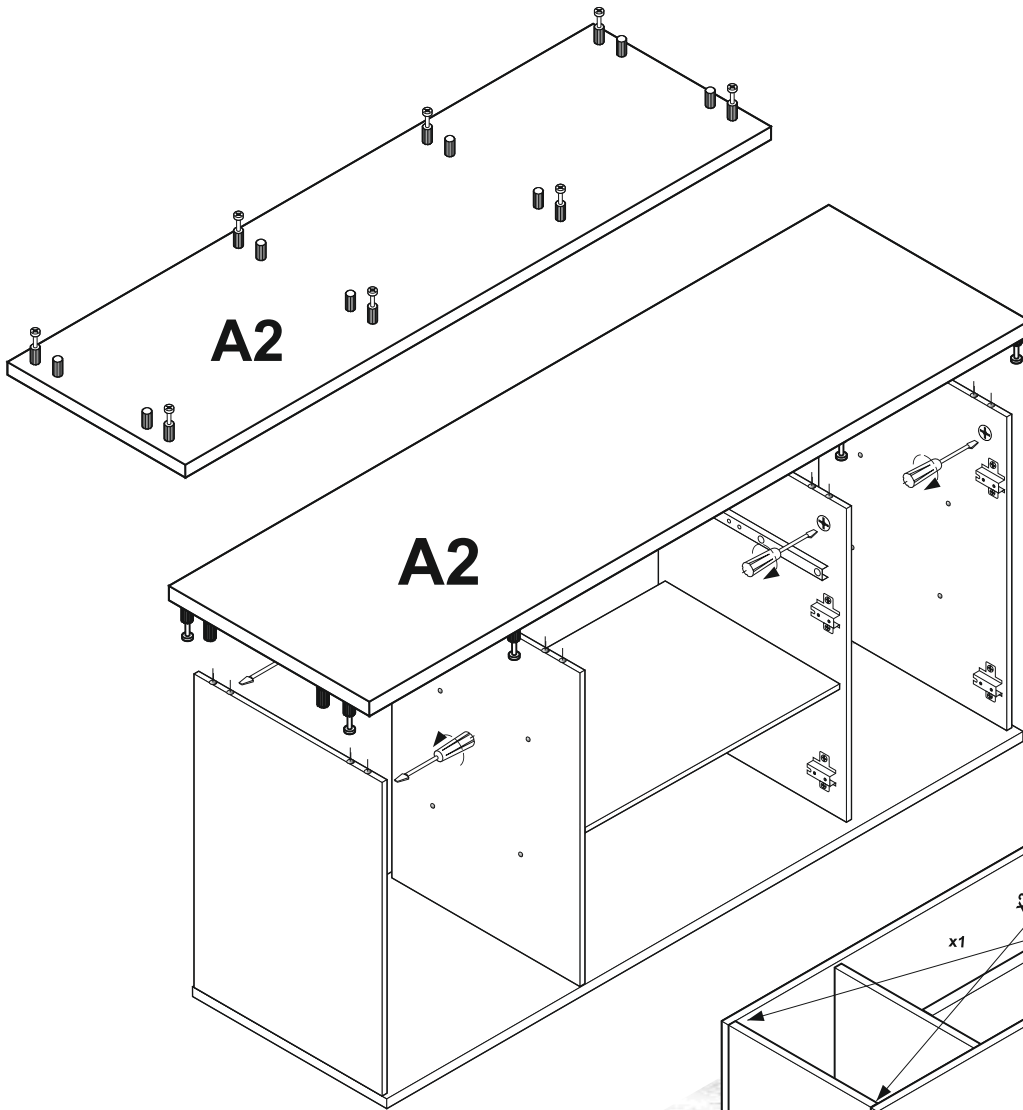
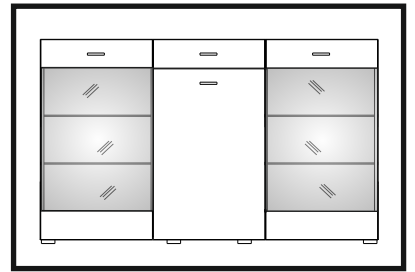
CLIF HB



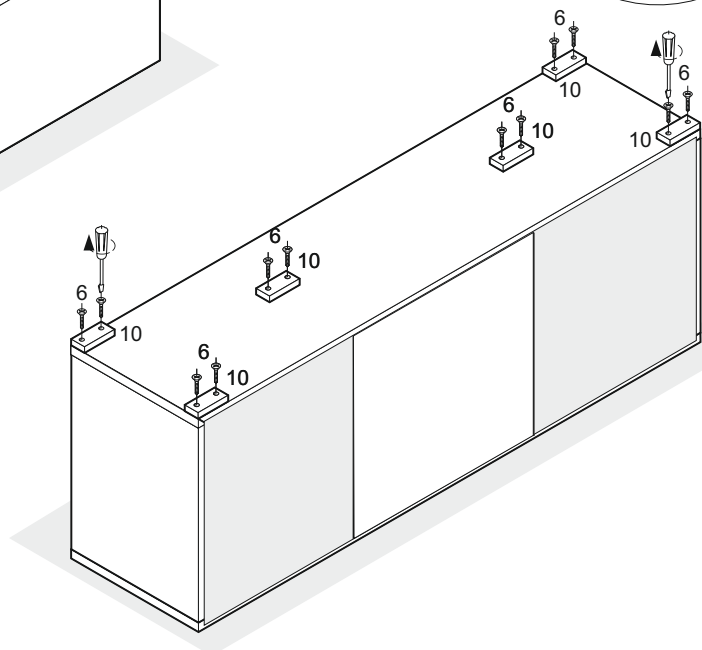
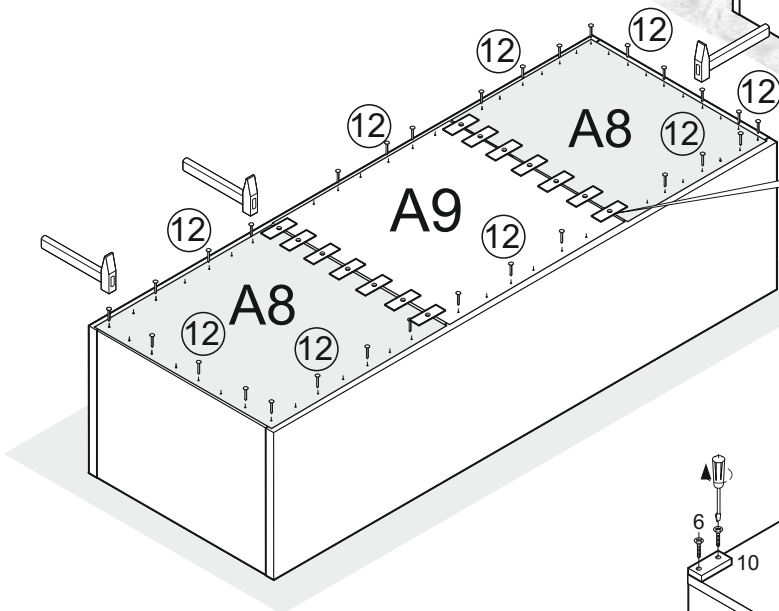
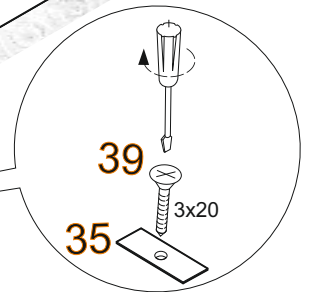
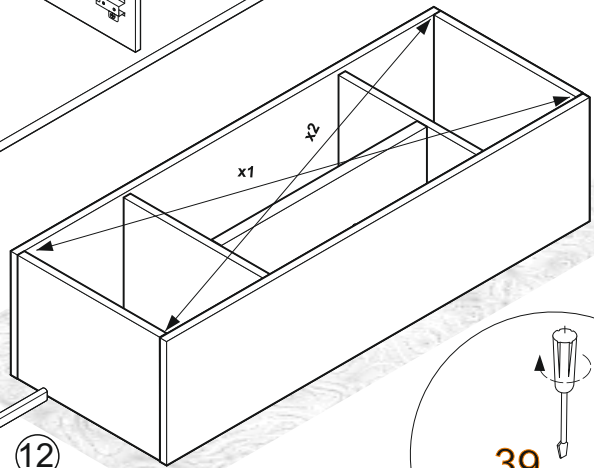
1	 8x35	<u>X 16</u>	23		<u>X 2</u>	10		<u>X 6</u>
2		<u>X 10</u>	36		<u>X 12</u>	30	LED LIGHTS	<u>X 1</u>
3		<u>X 4</u>	13		<u>X 4</u>	14		<u>X 16</u>
4	 3.5x30	<u>X 8</u>	26		<u>X 1</u>	4A	 4x16	<u>X 14</u>
5		<u>X 4</u>	39	 3x20	<u>X 16</u>	24		<u>X 2</u>
6	 5x11	<u>X 28</u>	9		<u>X 8</u>	25	 M 4 X 9	<u>X 2</u>
35		<u>X 16</u>	9A		<u>X 8</u>	12		<u>X 70</u>
22		<u>X 12</u>	22A		<u>X 12</u>	29P		<u>X 2</u>
41		<u>X 2</u>	80		<u>X 2</u>			

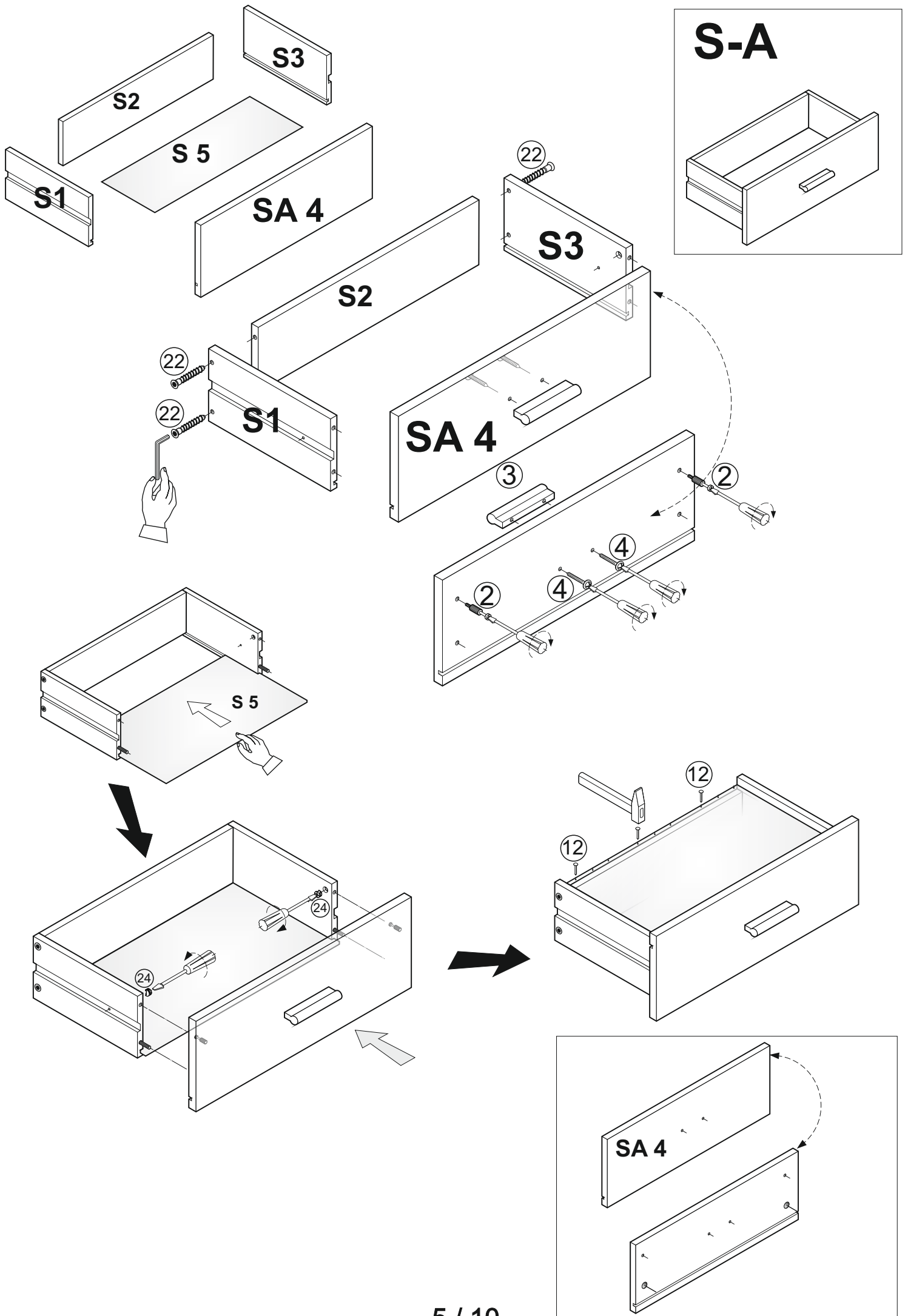


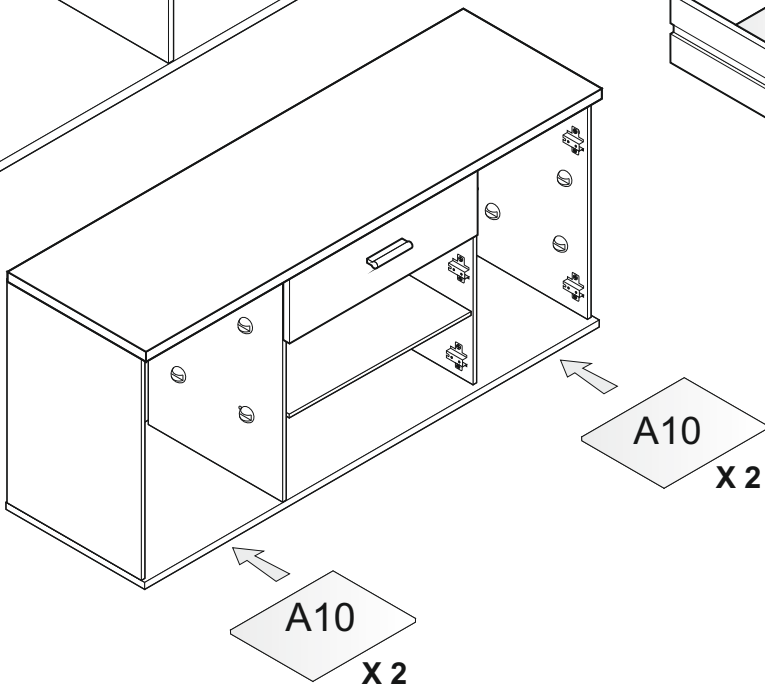
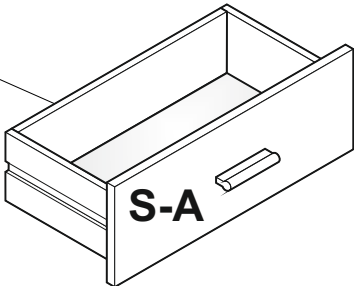
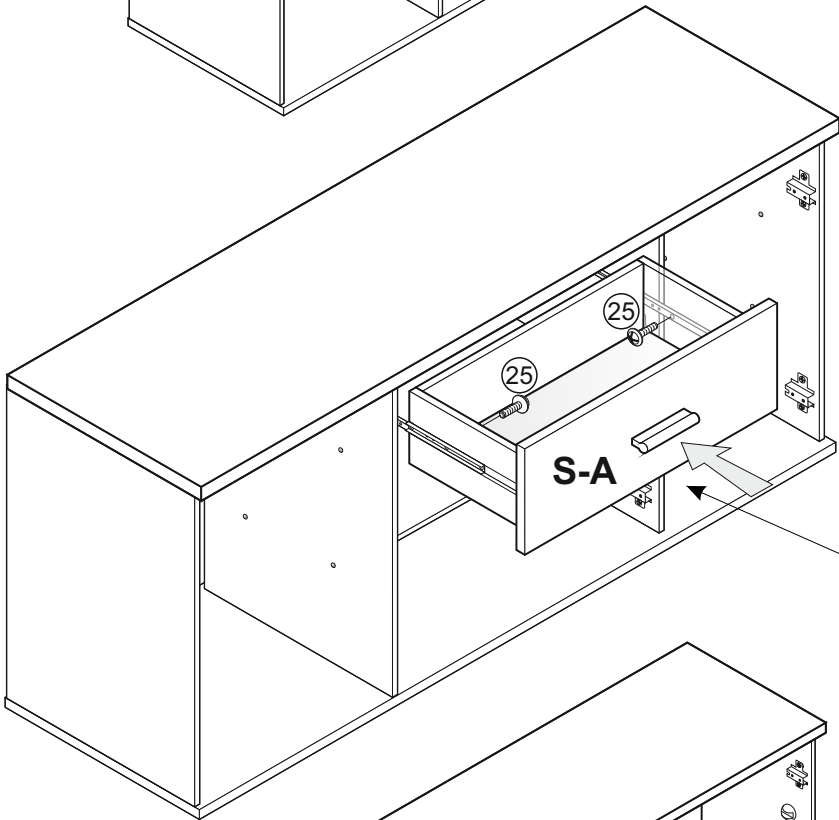
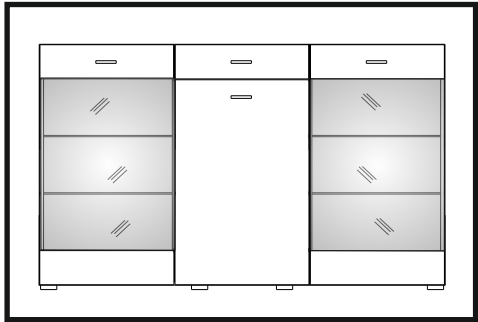
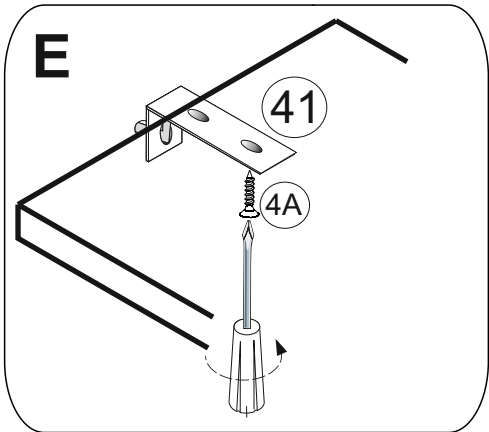
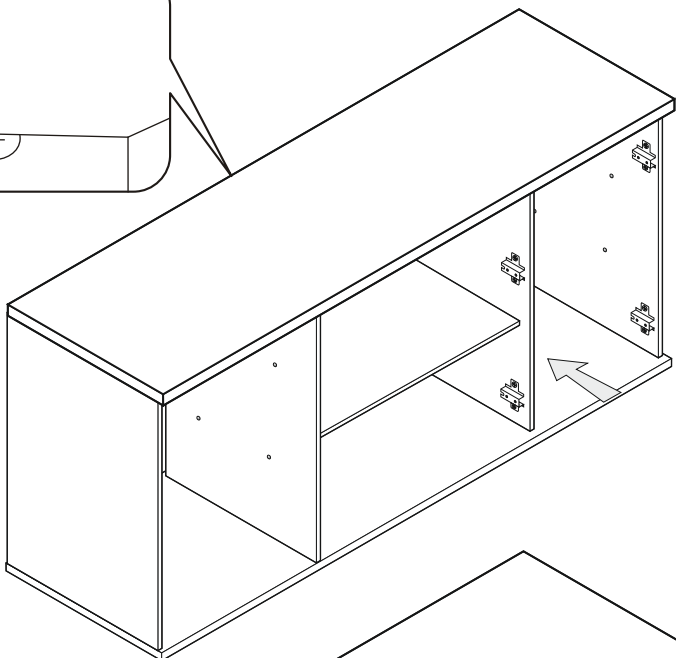
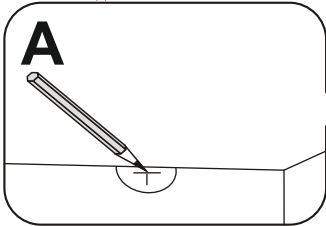
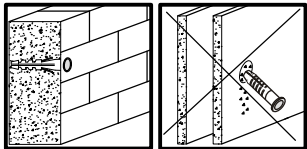
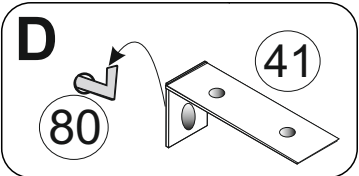
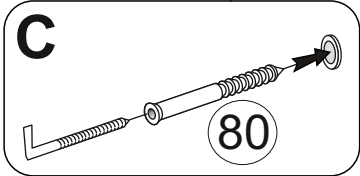
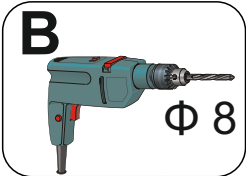


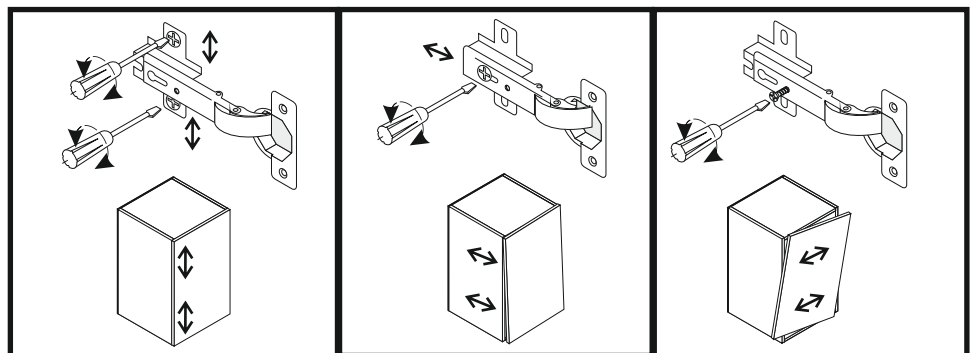
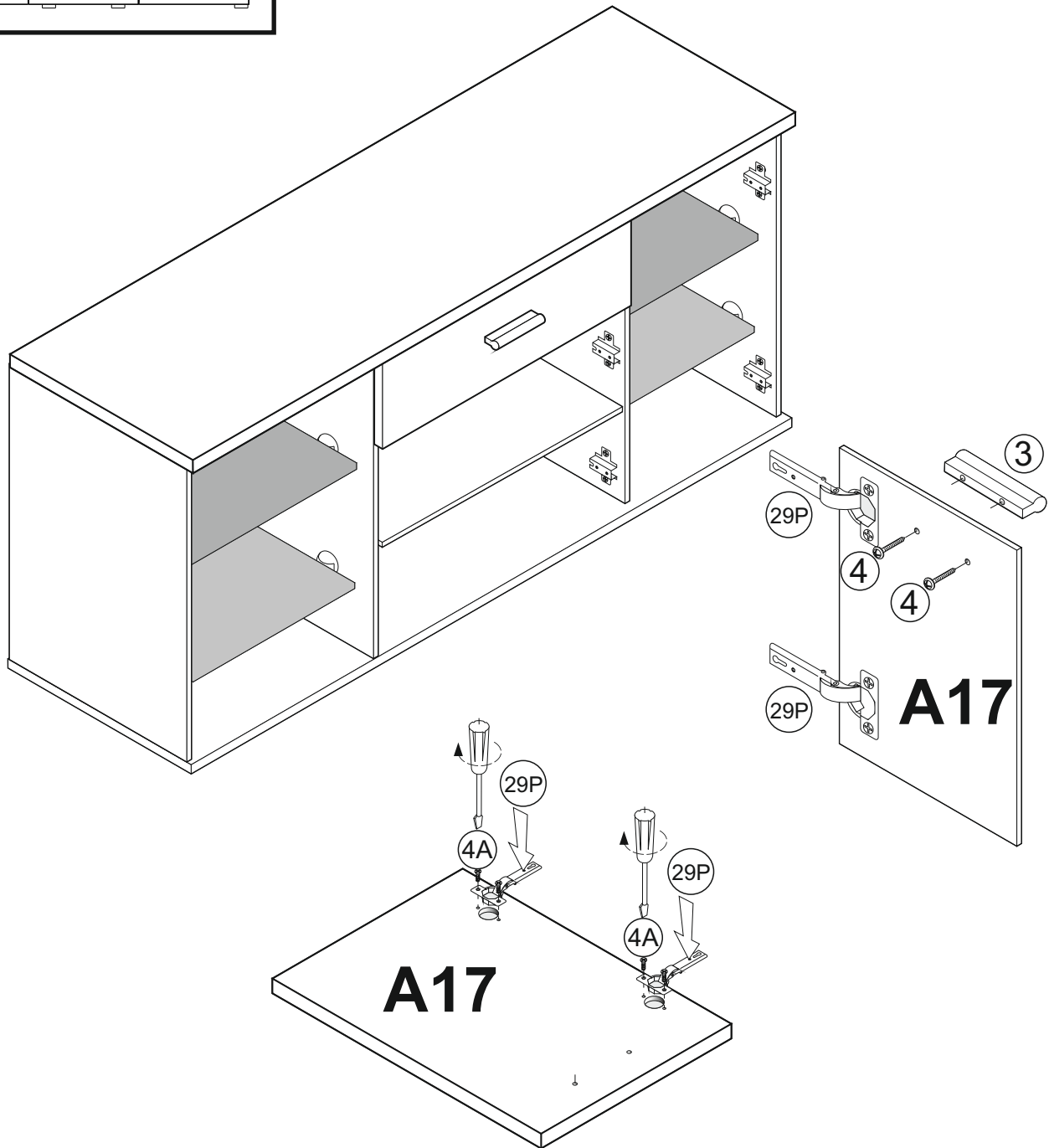
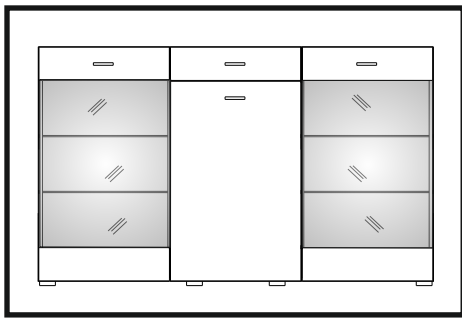


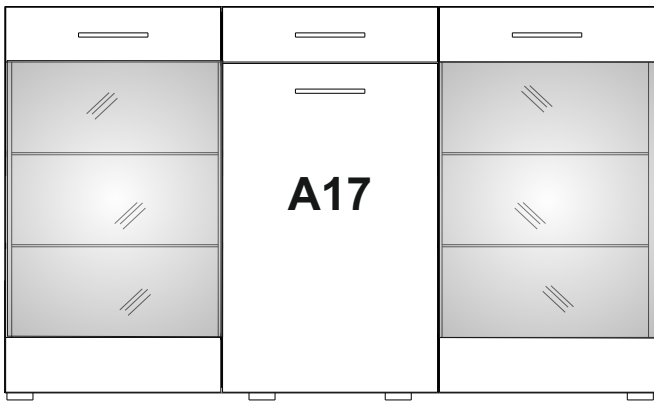
$x1 = x2$









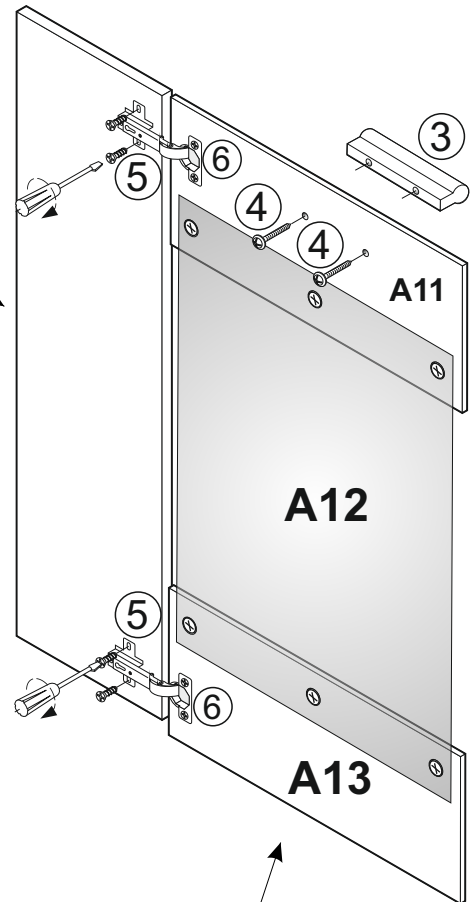


A11

A17

A12

A13



3

5

6

4

4

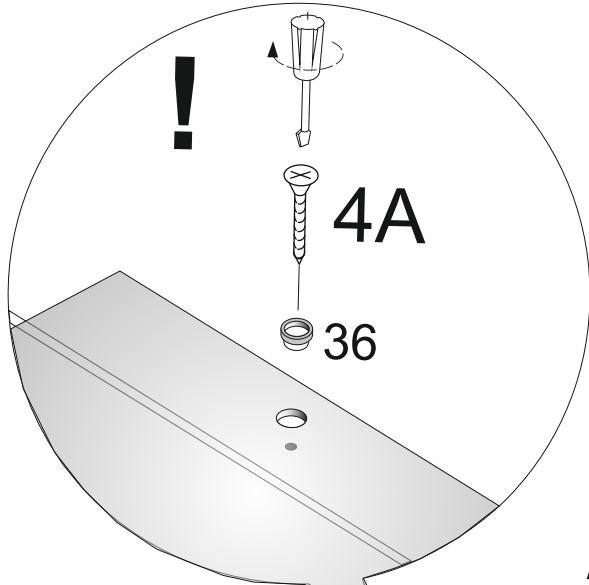
A11

A12

5

6

A13



!

4A

36

4A

36

4A

4A

36

4A

4A

4A

36

4A

4A

36

4A

4A

4A

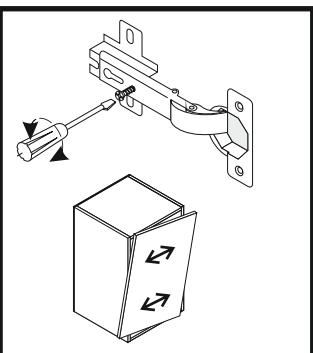
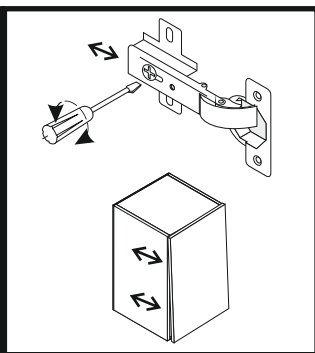
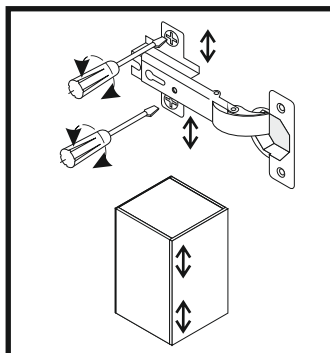
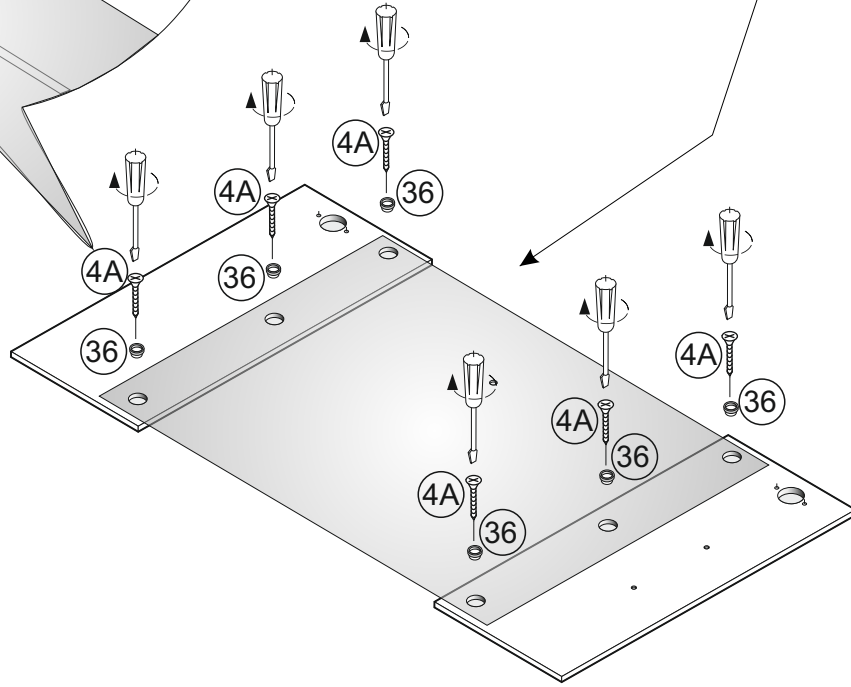
36

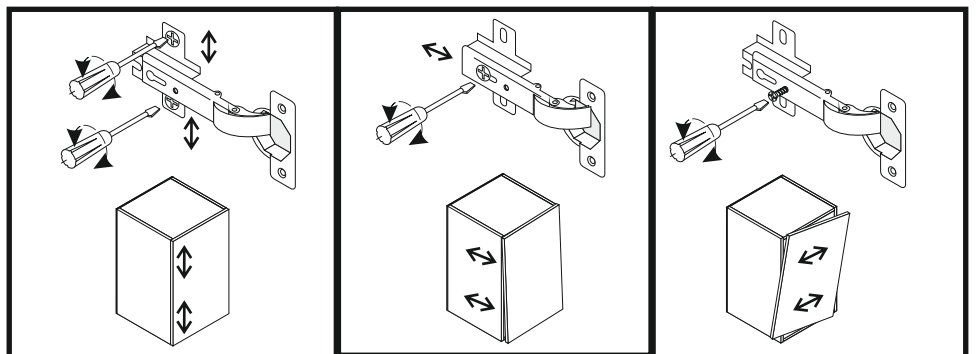
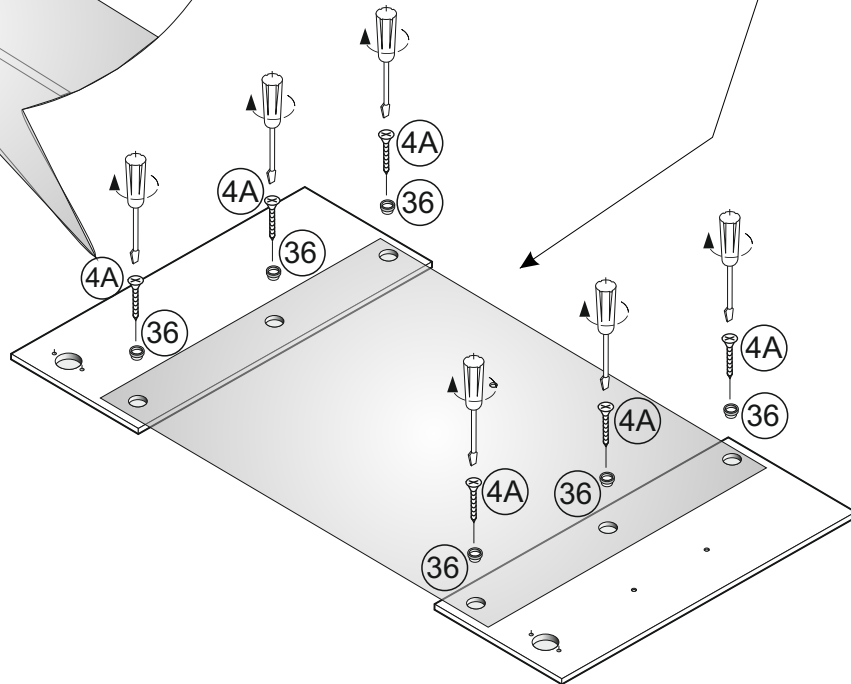
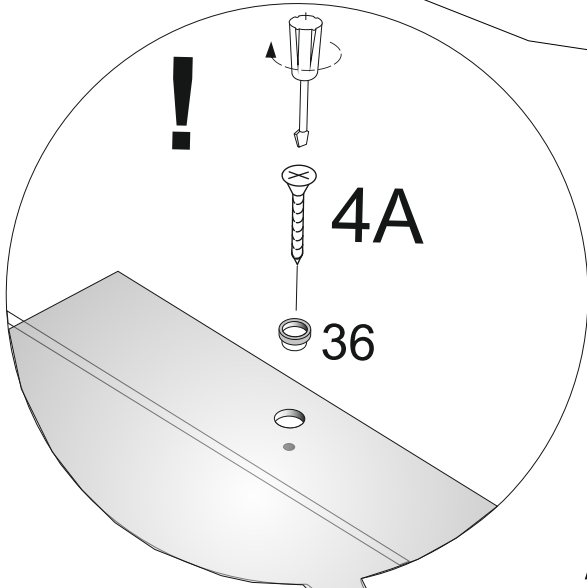
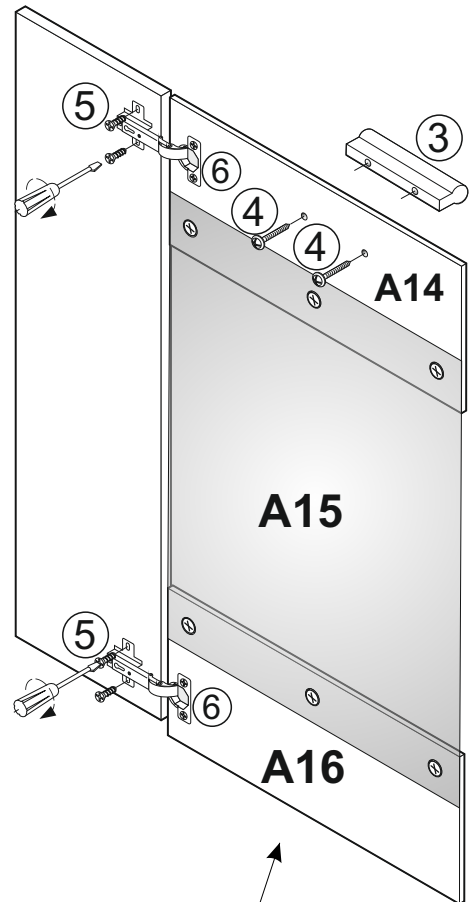
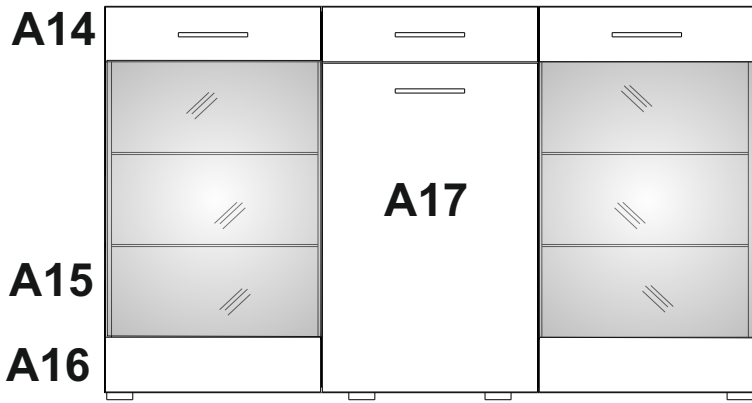
4A

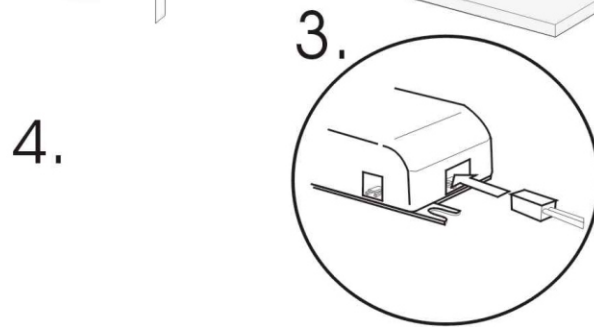
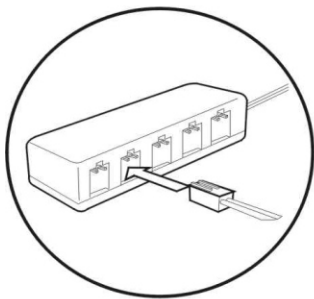
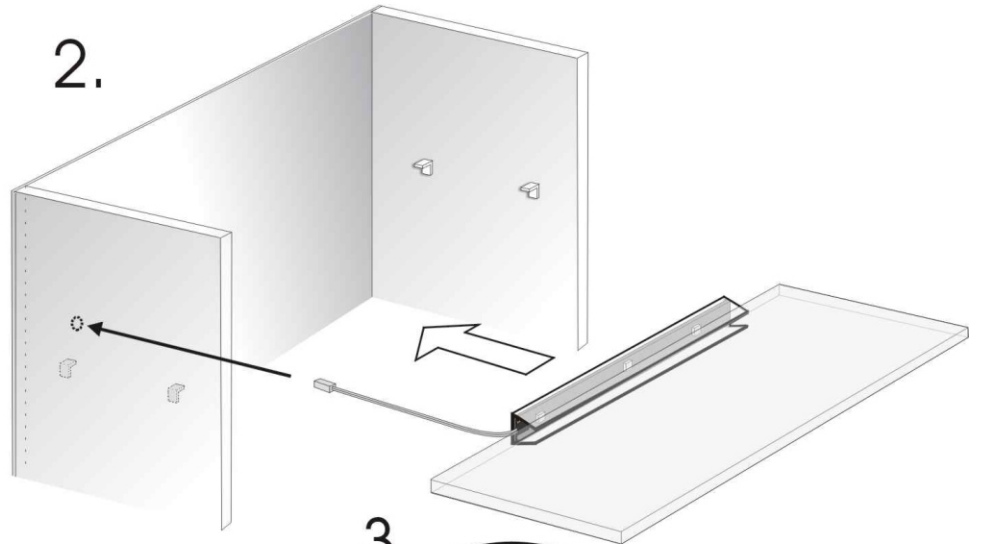
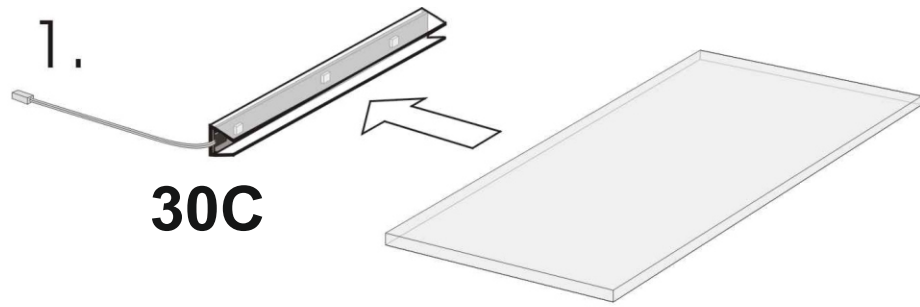
4A

4A

36







4.

