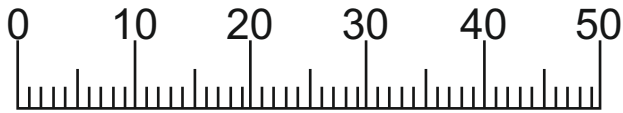
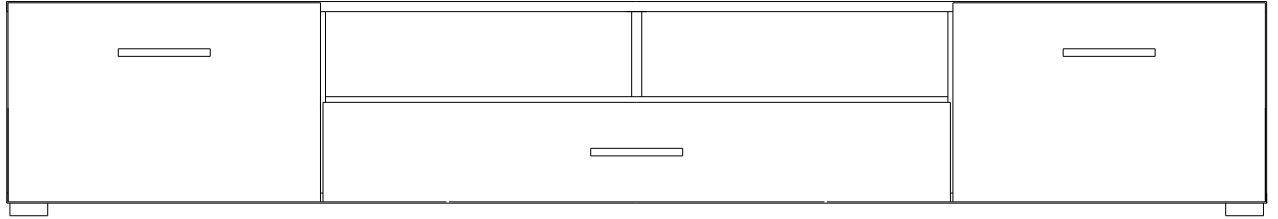
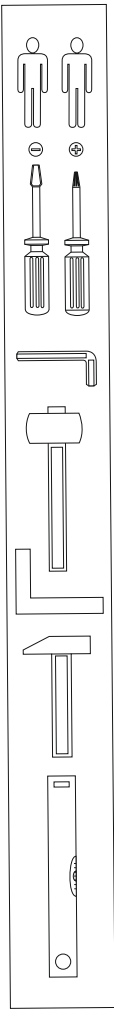

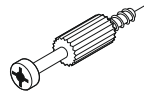
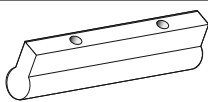

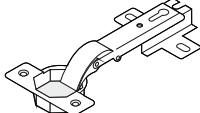

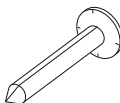
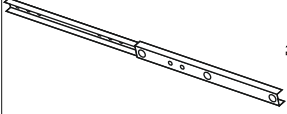
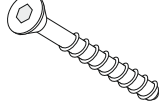

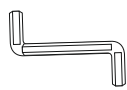


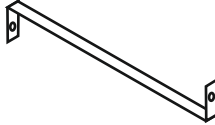
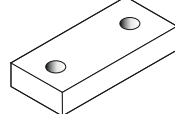
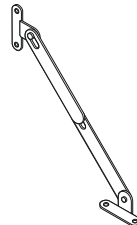
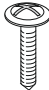




CLIF RTV



1	 8x35	<u>X 22</u>
2		<u>X 10</u>
3		<u>X 3</u>
4	 3.5x30	<u>X 6</u>
29		<u>X 4</u>
6	 5x11	<u>X 32</u>
12		<u>X 60</u>

23		<u>X 2</u>
22		<u>X 18</u>
22A		<u>X 18</u>
26		<u>X 1</u>
9A		<u>X 8</u>
9		<u>X 8</u>
37		<u>X 1</u>

10		<u>X 6</u>
7		<u>X 2</u>
4A	 4x16	<u>X 2</u>
24		<u>X 2</u>
25	 M 4 X 9	<u>X 2</u>

