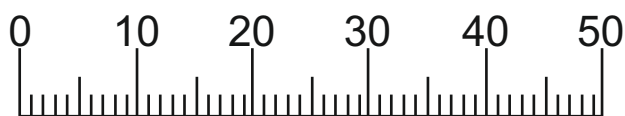
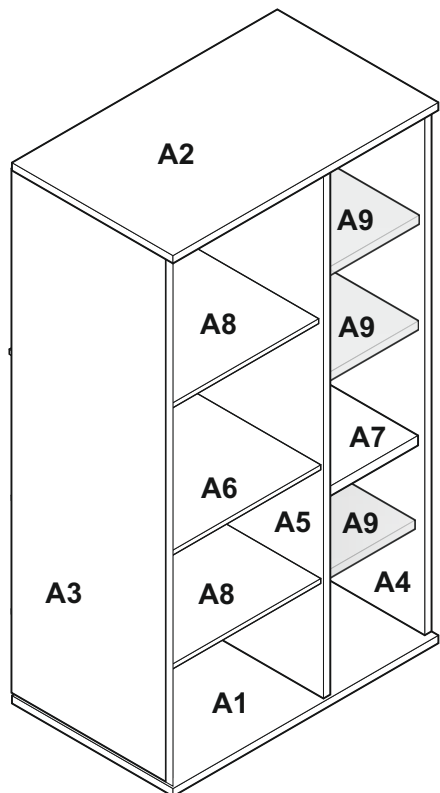
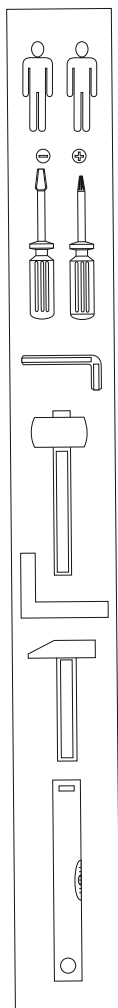

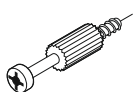
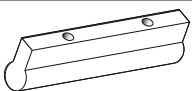
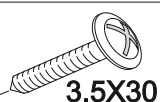
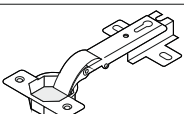

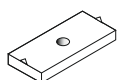
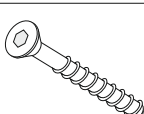
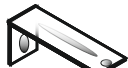
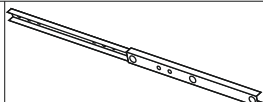

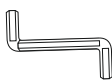







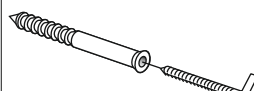


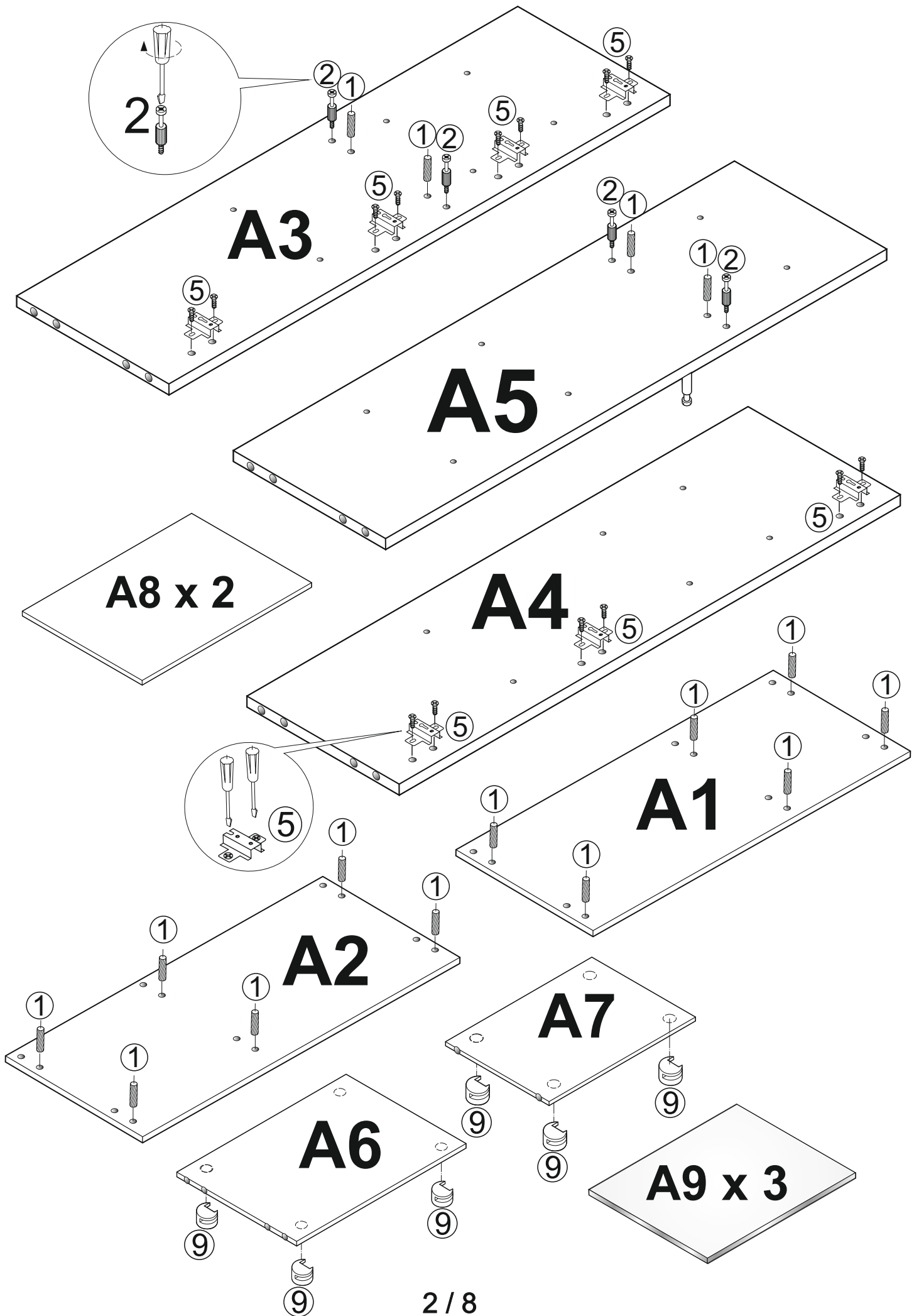
CLIF SV

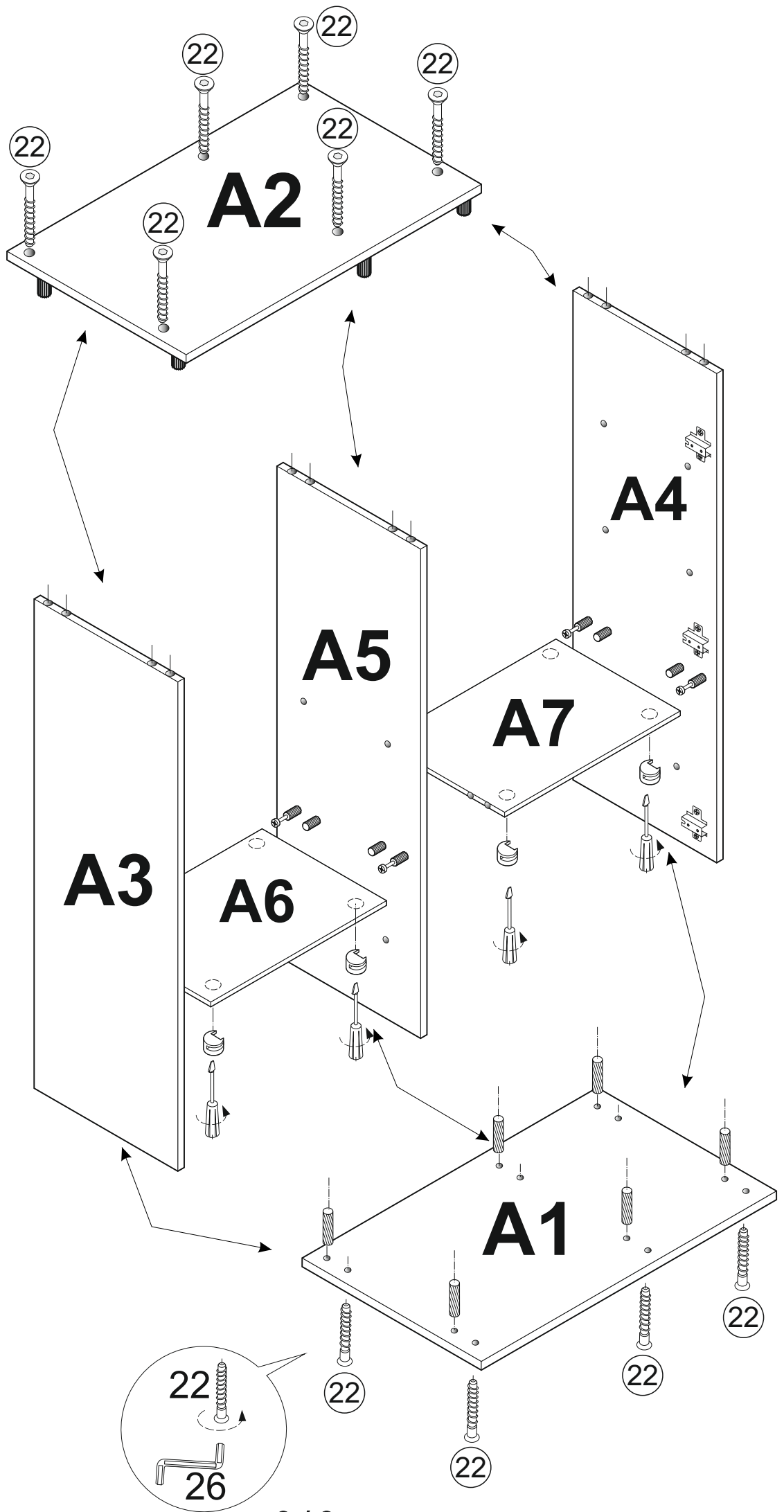


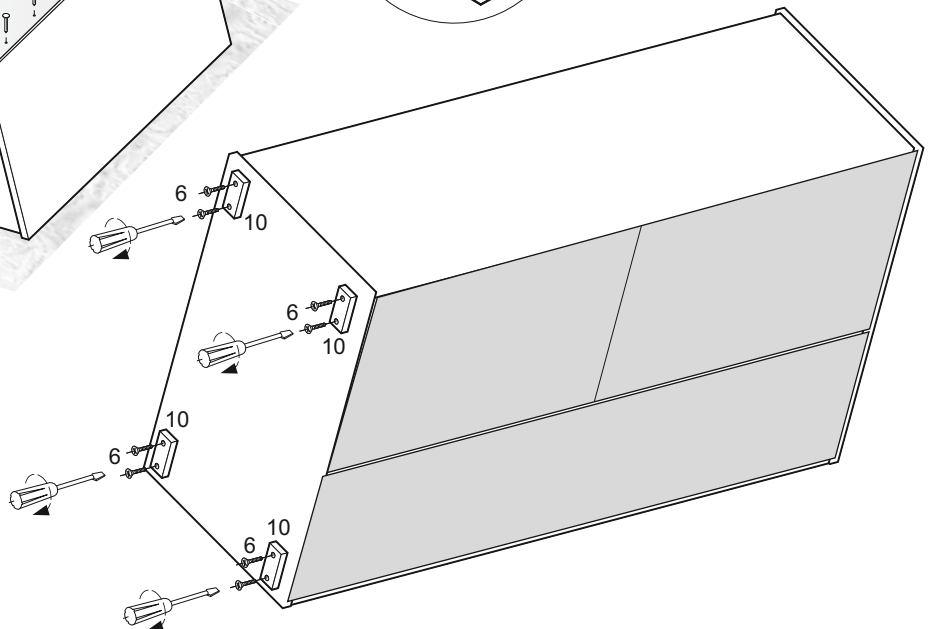
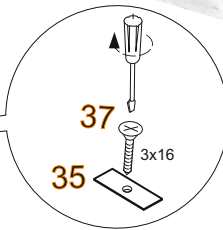
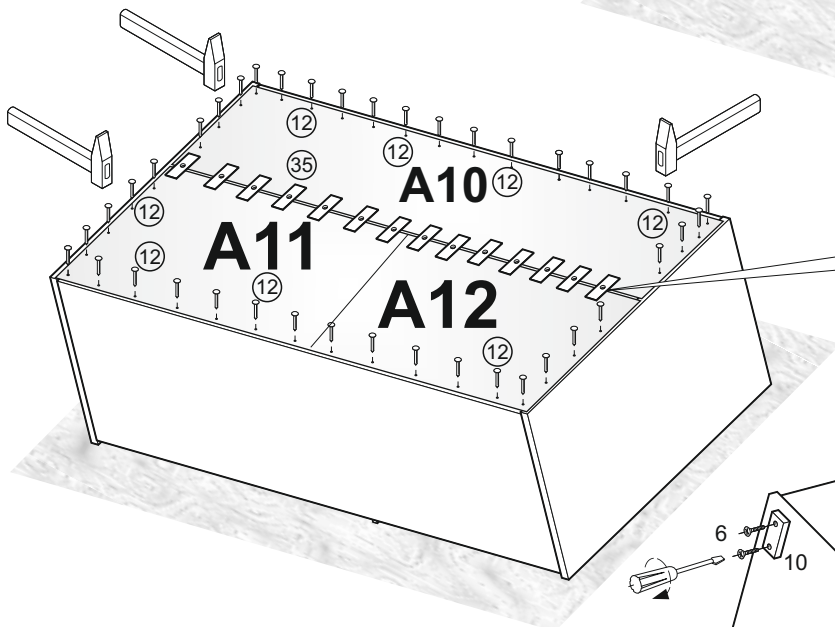
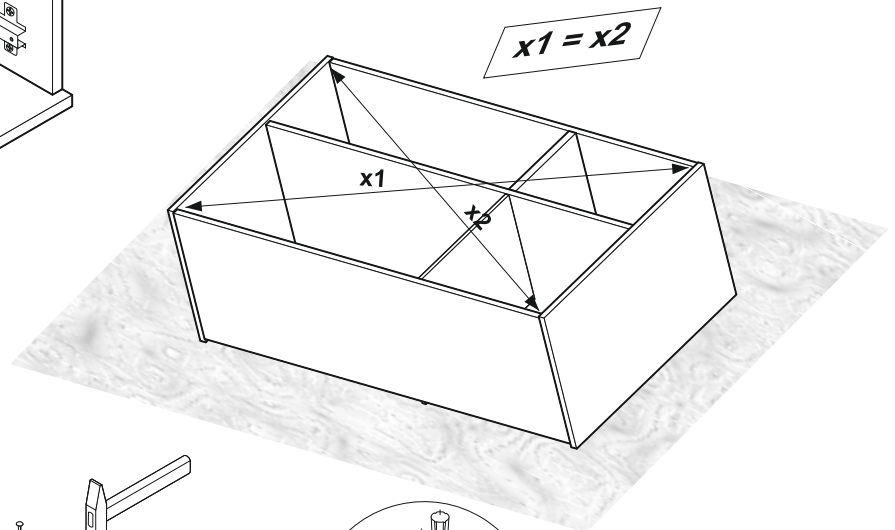
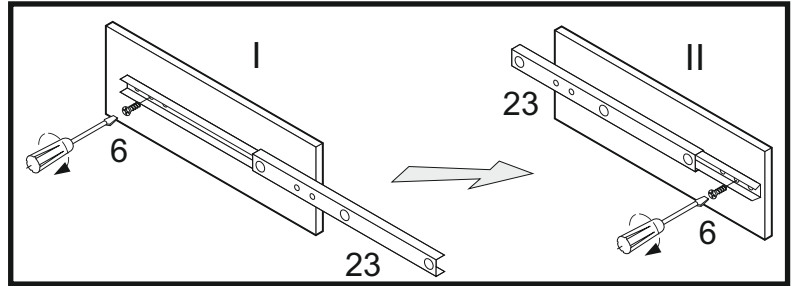
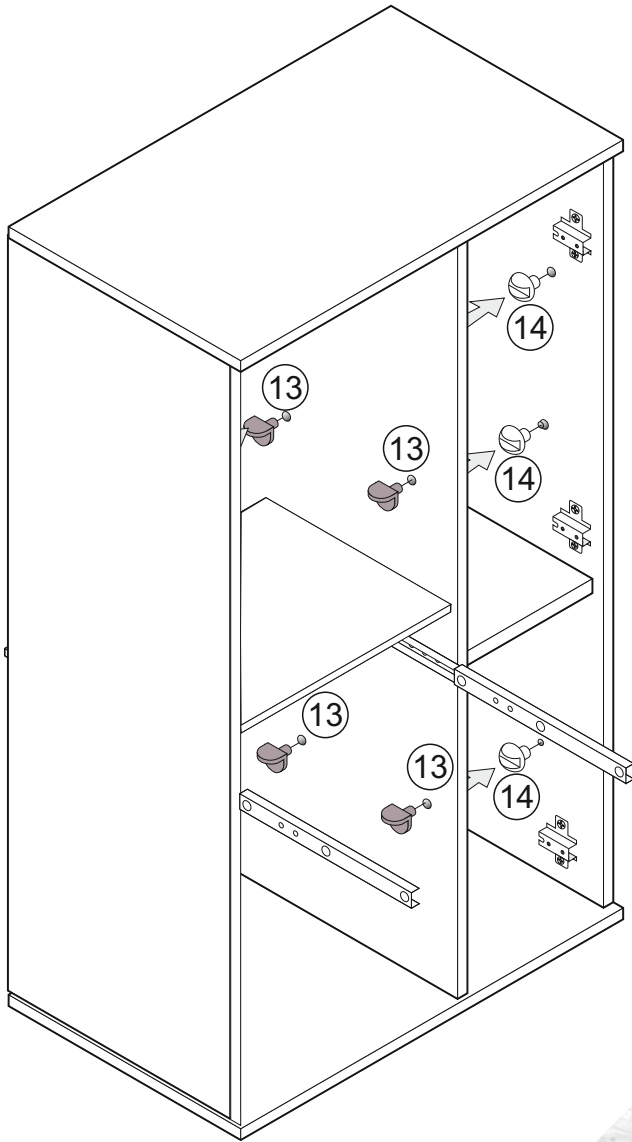
1	 8x35	<u>X 20</u>
2		<u>X 10</u>
3		<u>X 4</u>
4	 3.5x30	<u>X 8</u>
5		<u>X 7</u>
6	 5x11	<u>X 26</u>
35		<u>X 20</u>
22		<u>X 16</u>
41		<u>X 1</u>

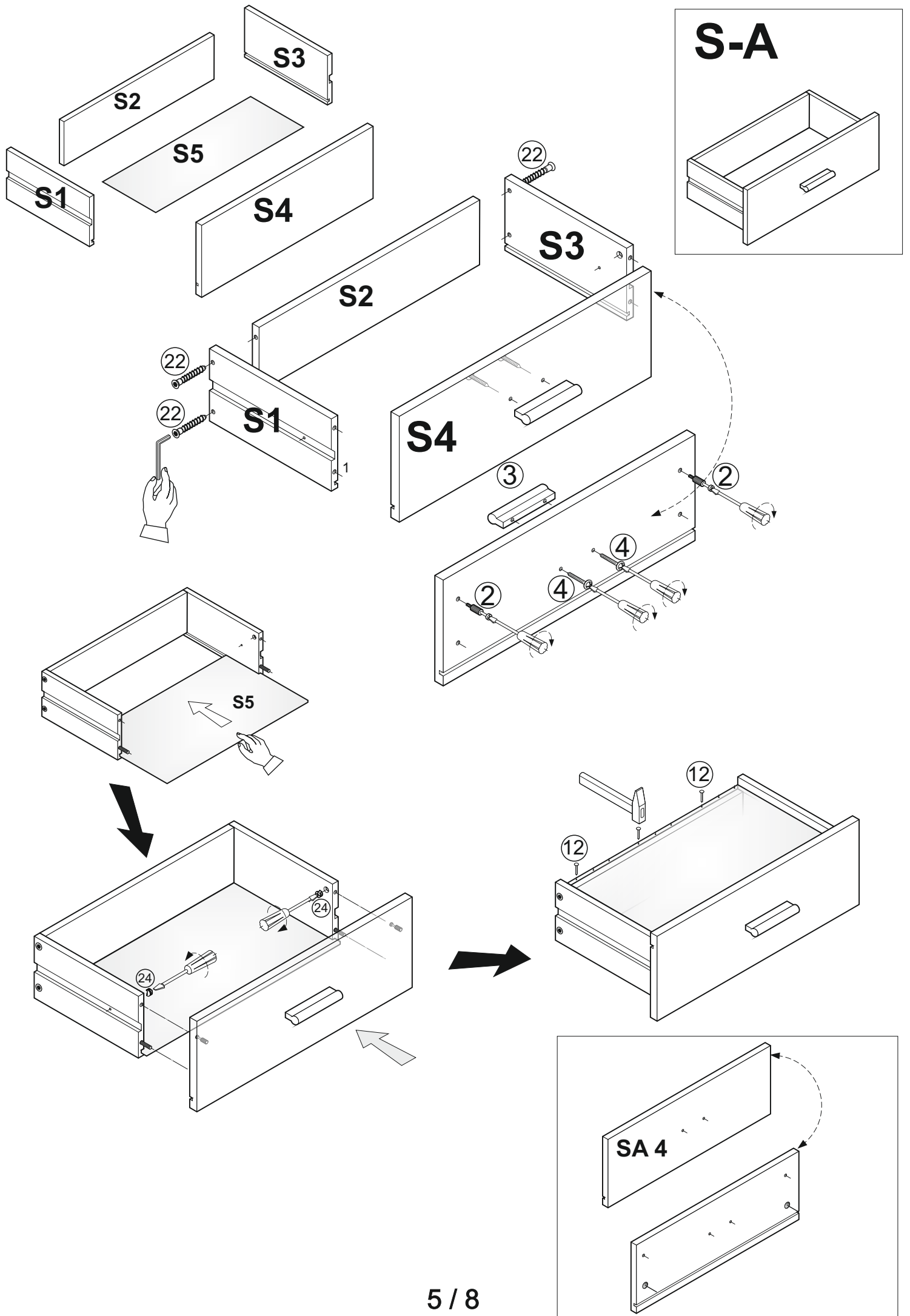
23		<u>X 2</u>
36		<u>X 12</u>
13		<u>X 8</u>
26		<u>X 1</u>
39	 3x20	<u>X 20</u>
9		<u>X 8</u>
9A		<u>X 8</u>
22A		<u>X 16</u>

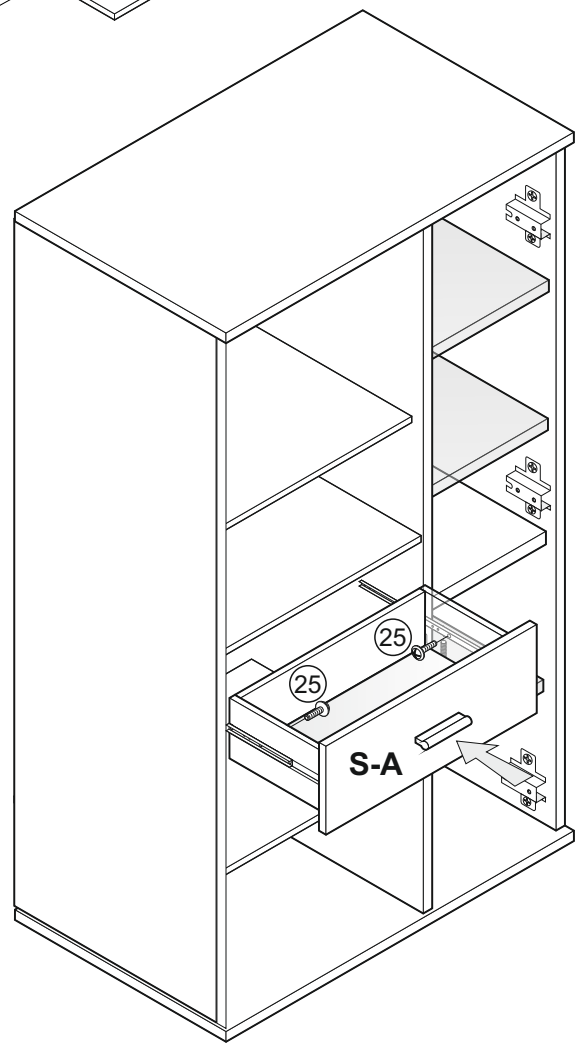
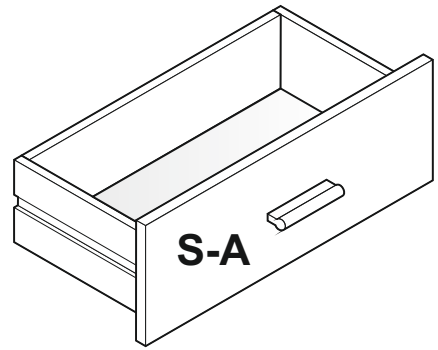
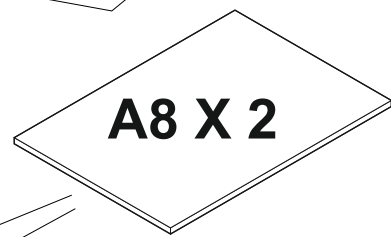
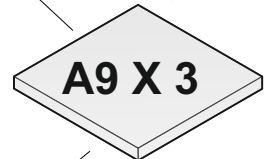
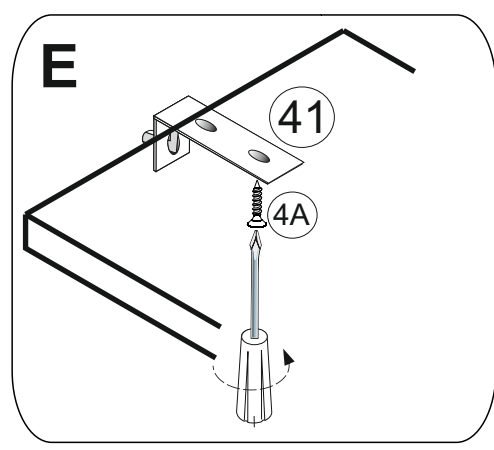
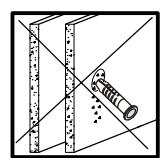
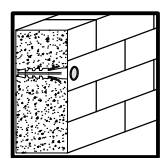
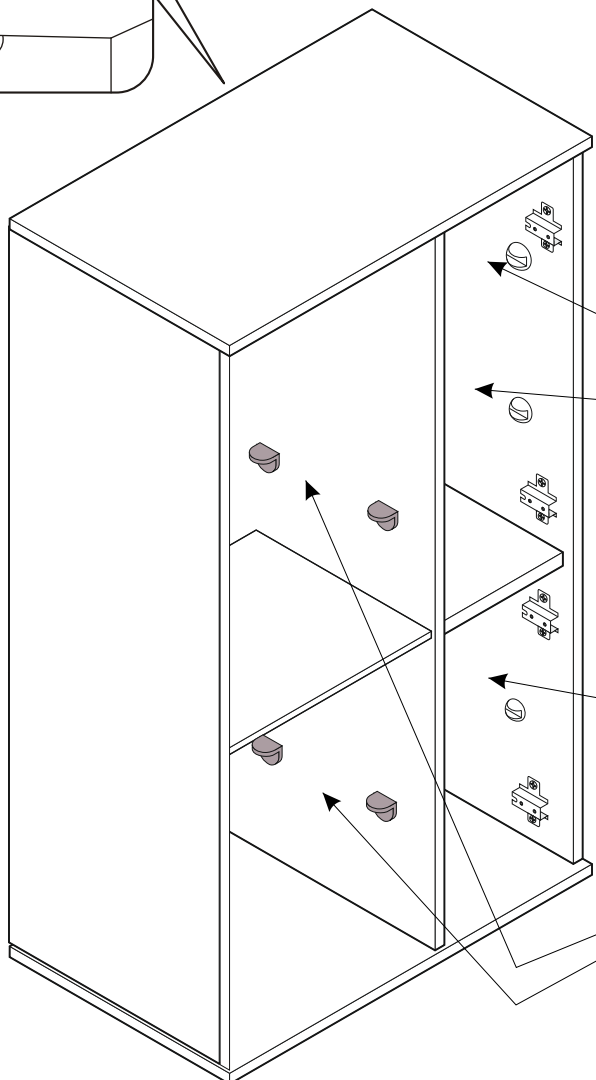
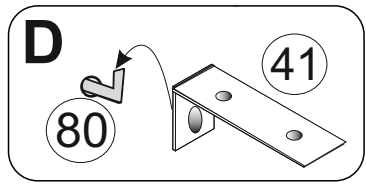
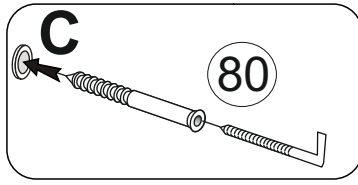
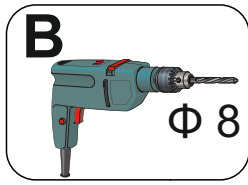
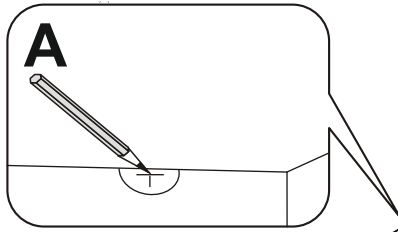
10		<u>X 4</u>
30	LED LIGHTS	<u>X 1</u>
14		<u>X 12</u>
4A	 4x16	<u>X 13</u>
24		<u>X 2</u>
25	 M 4 X 9	<u>X 2</u>
12		<u>X 80</u>
80		<u>X 1</u>

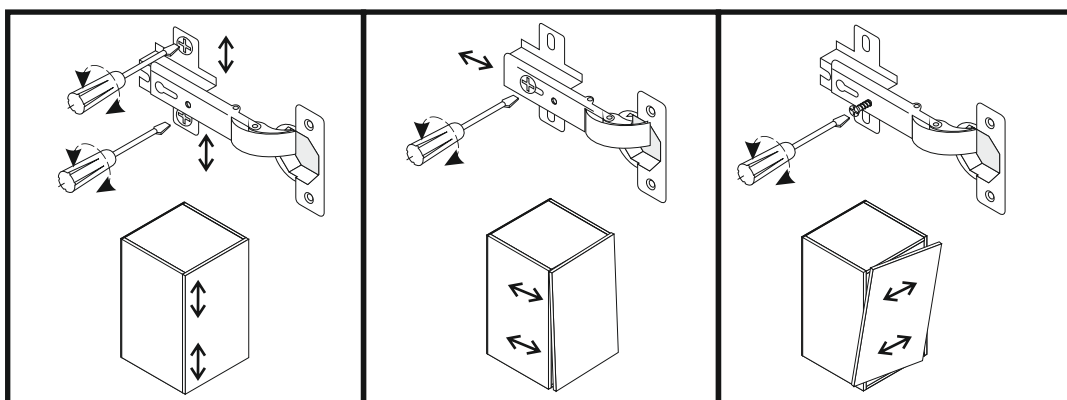
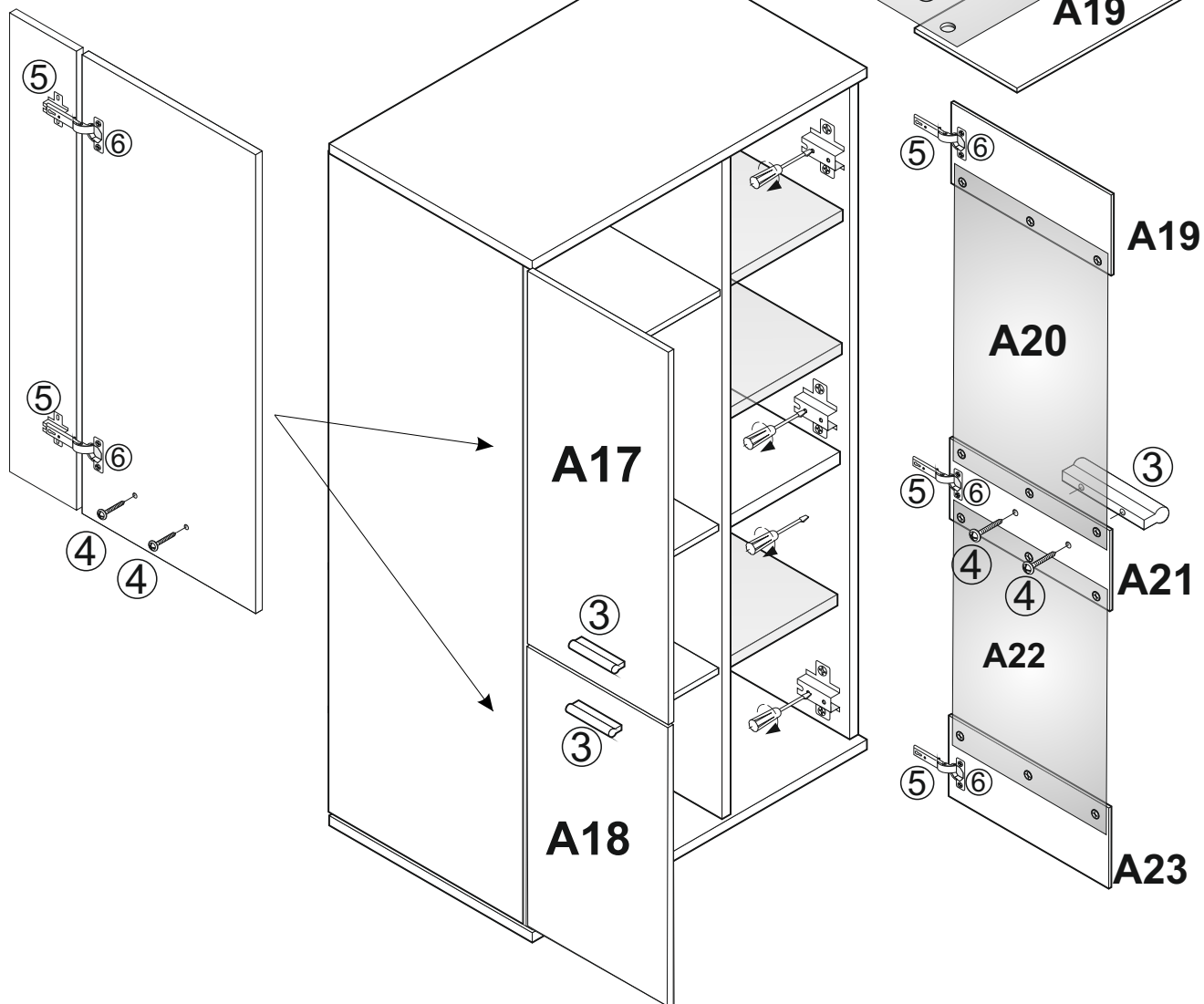
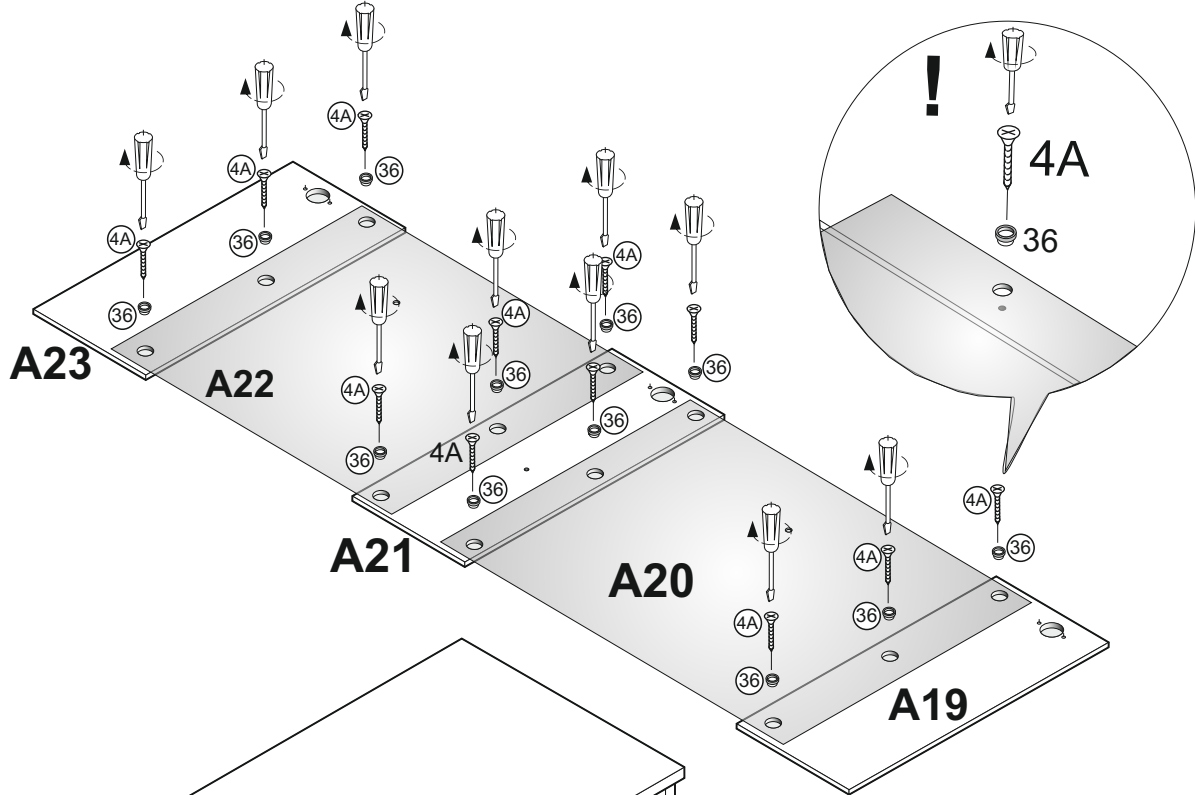


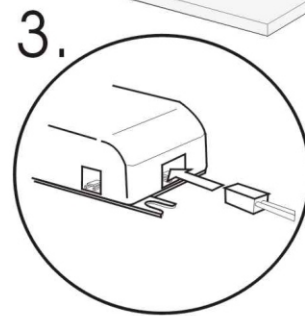
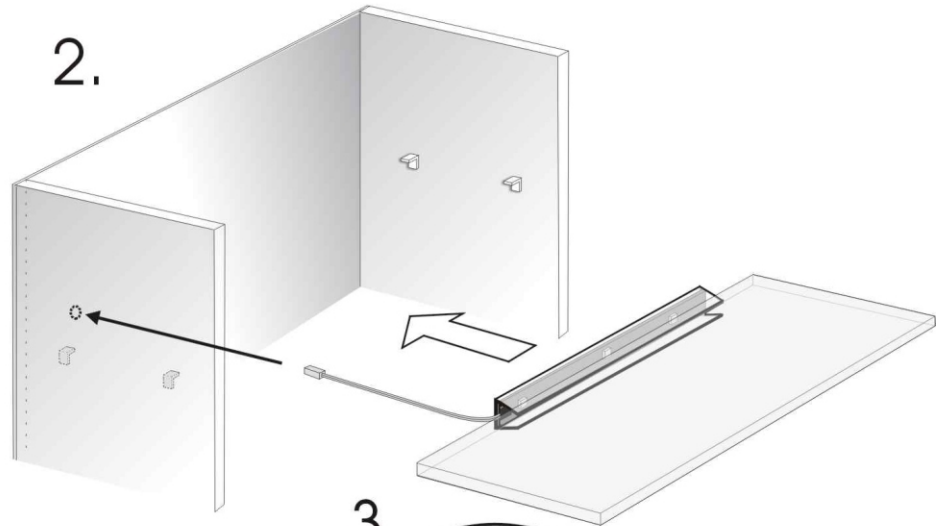
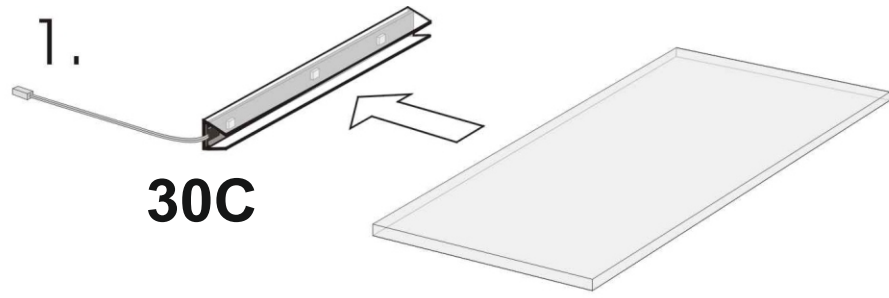












4.

