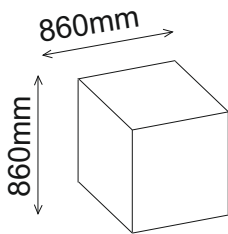
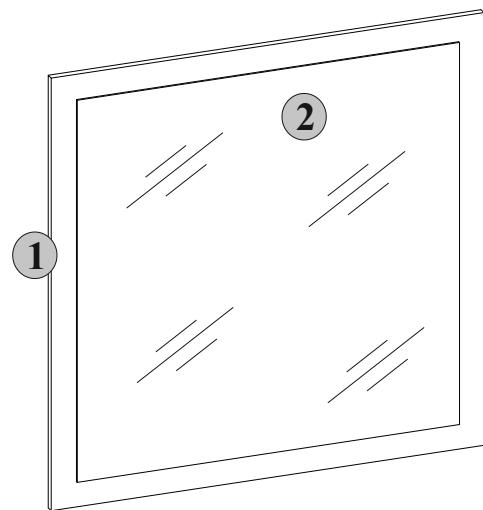
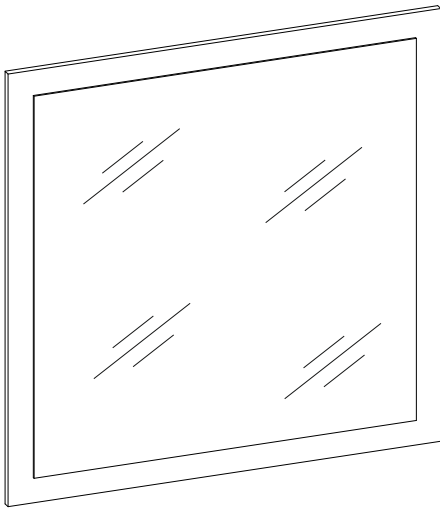
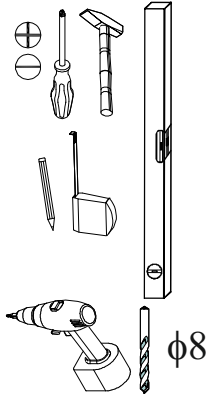

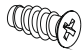


Mirror

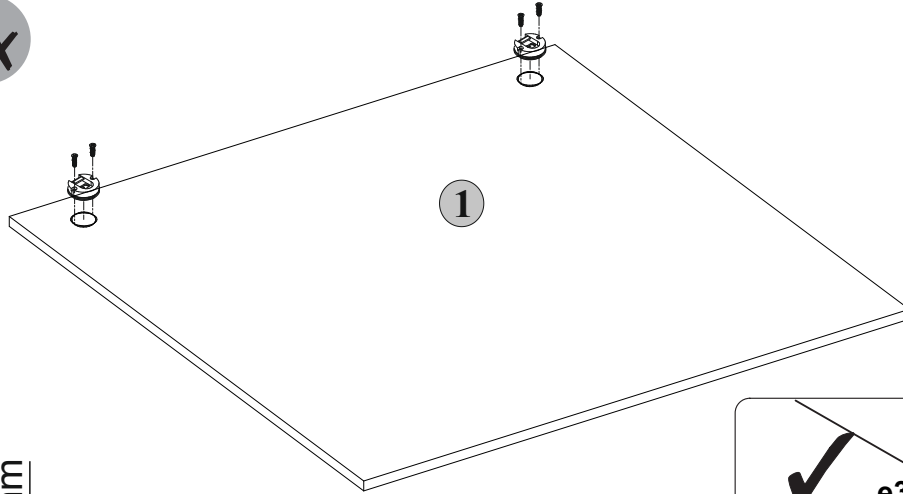
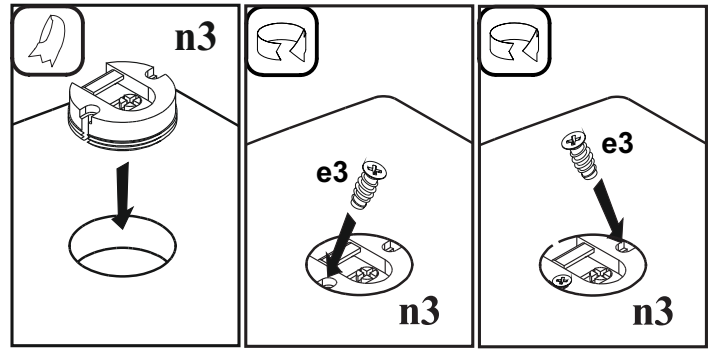
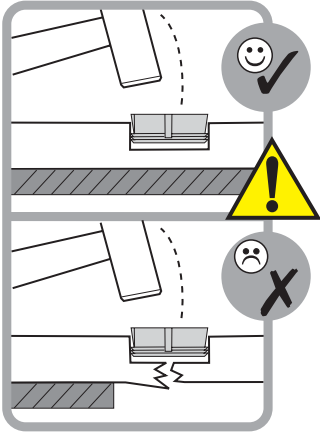


number	Measurements	Pcs.
1	860x860	1
2	760x760	1

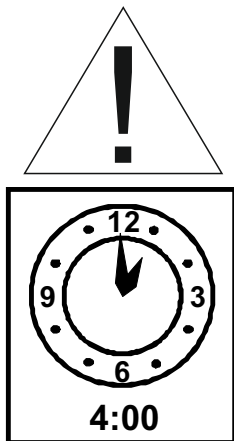
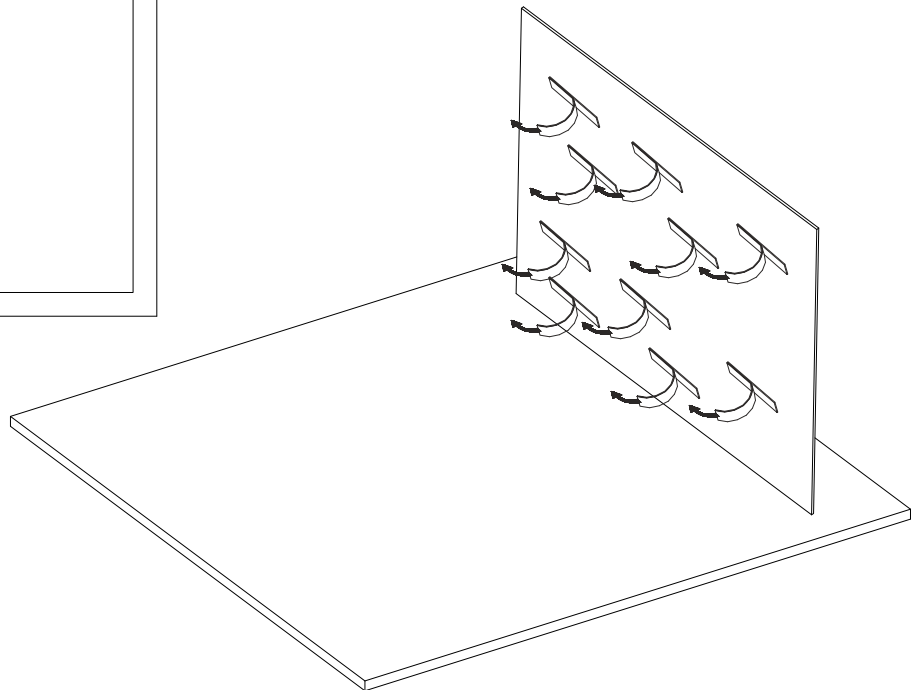
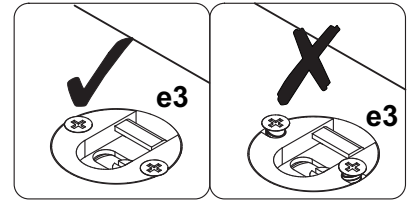
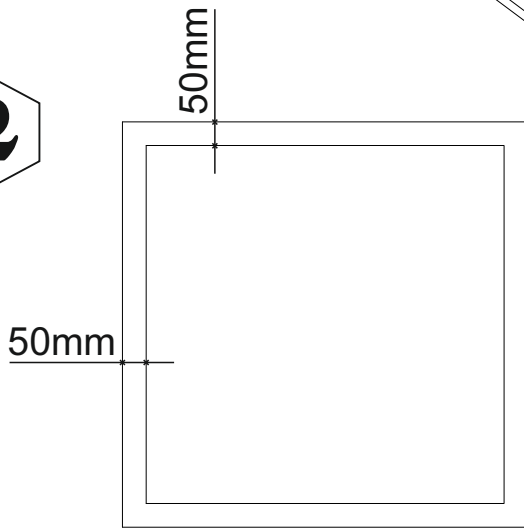


<p>2x</p>  <p>n3</p>	<p>4x</p>  <p>φ5x10.5 mm</p> <p>e3</p>
---	---

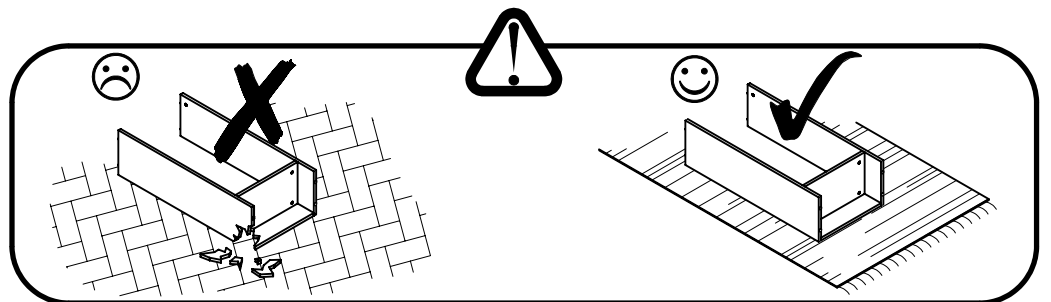
1



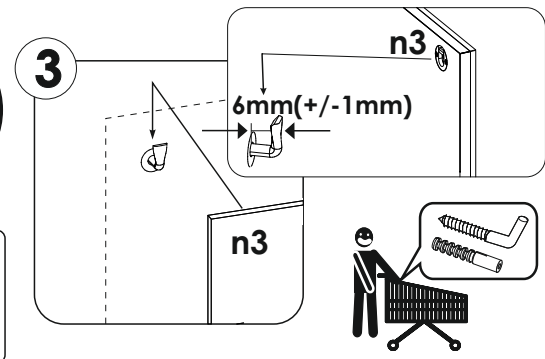
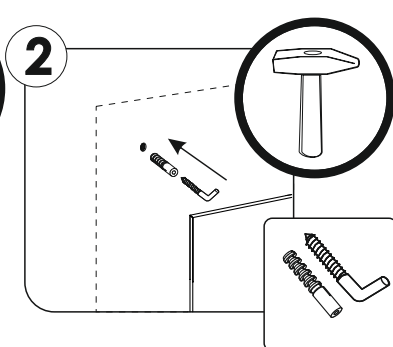
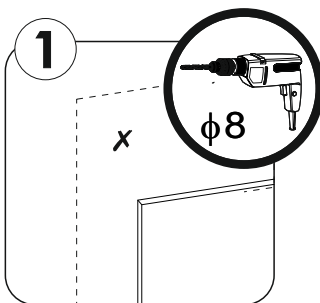
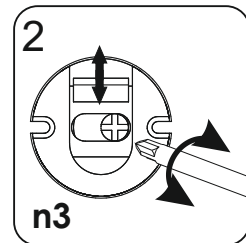
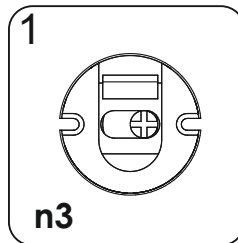
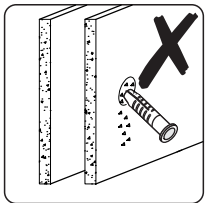
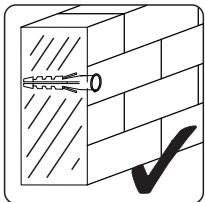
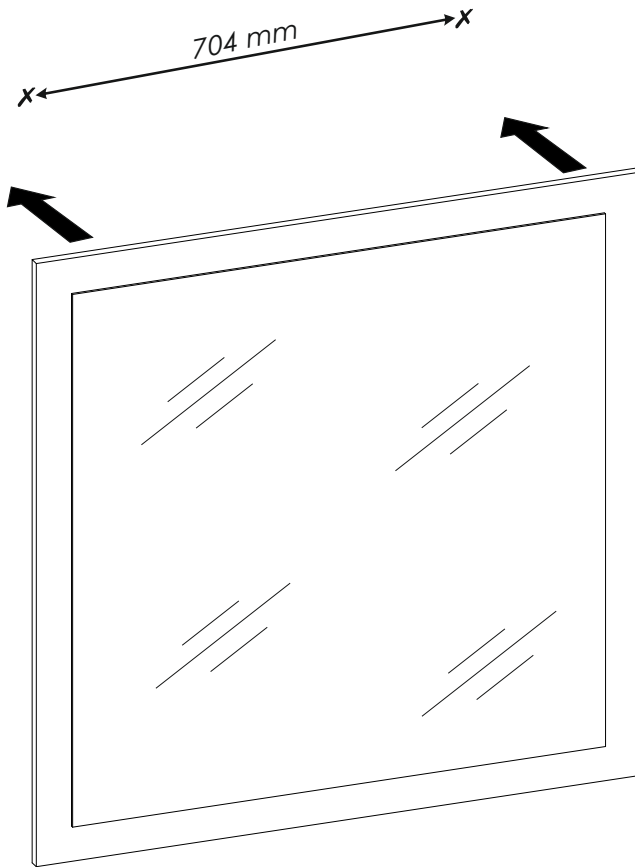
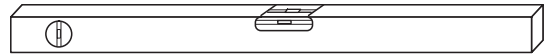
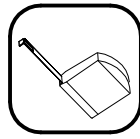
2



2

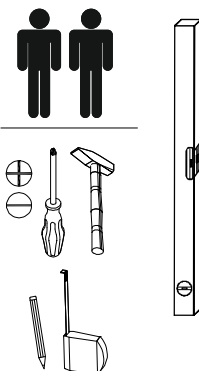
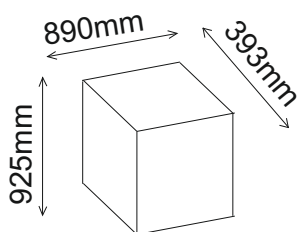
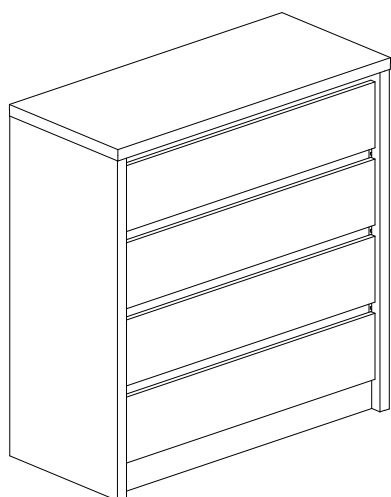


3

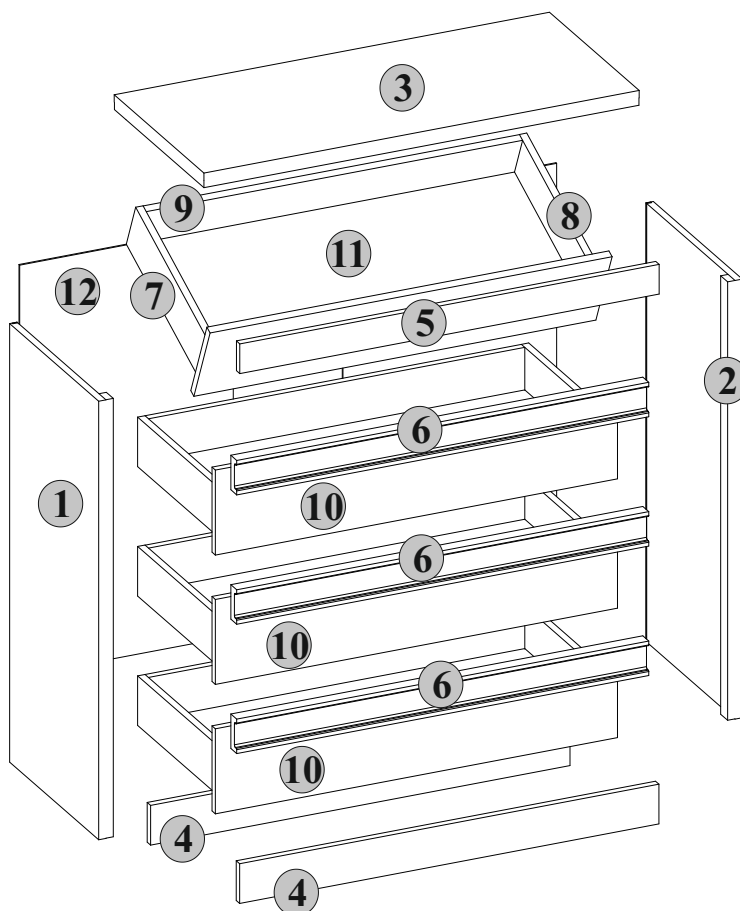


3

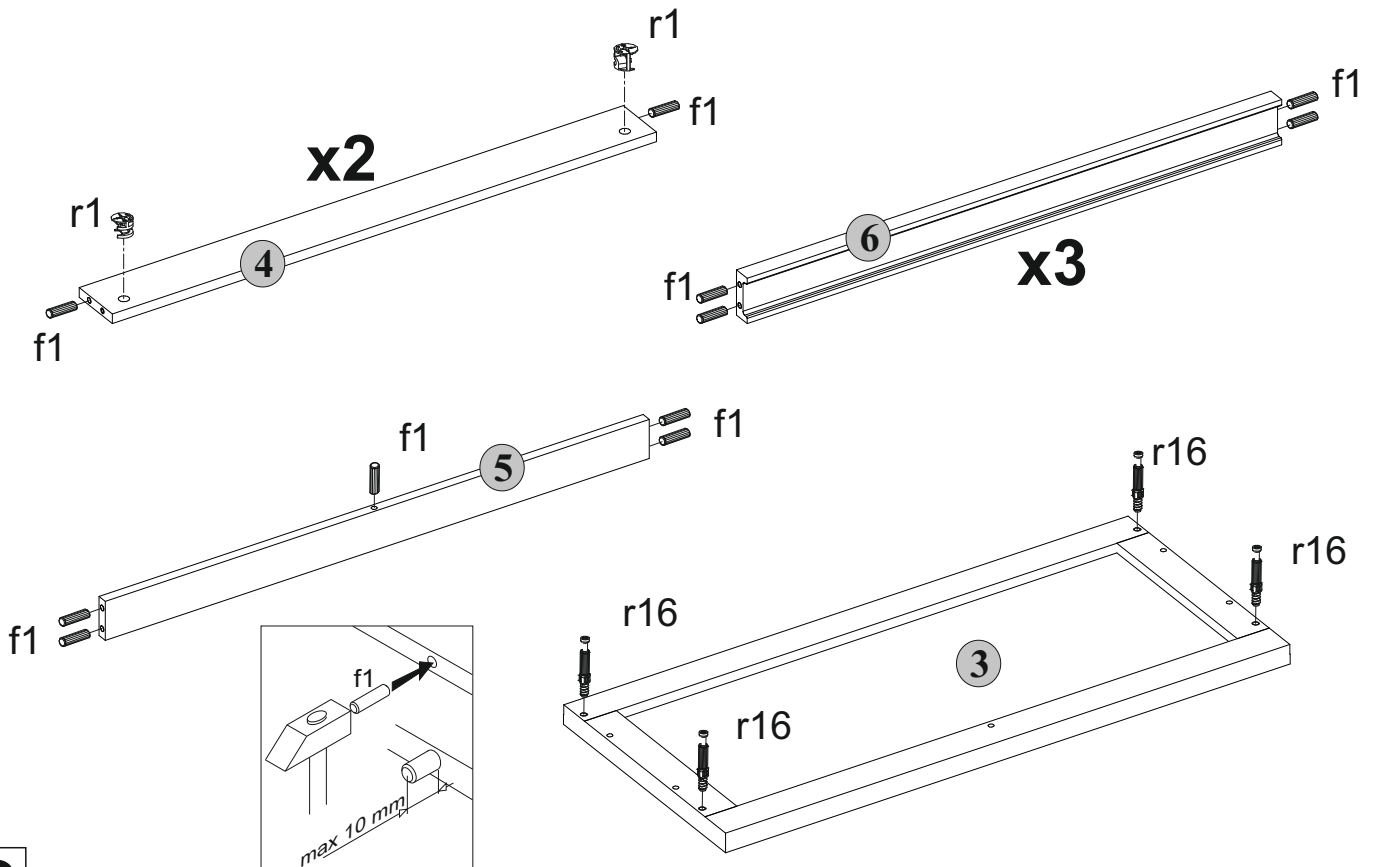
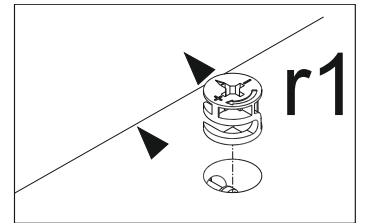
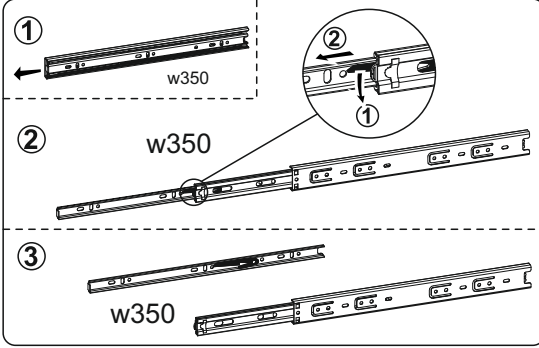
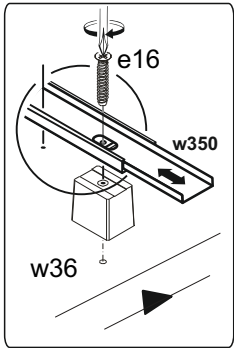
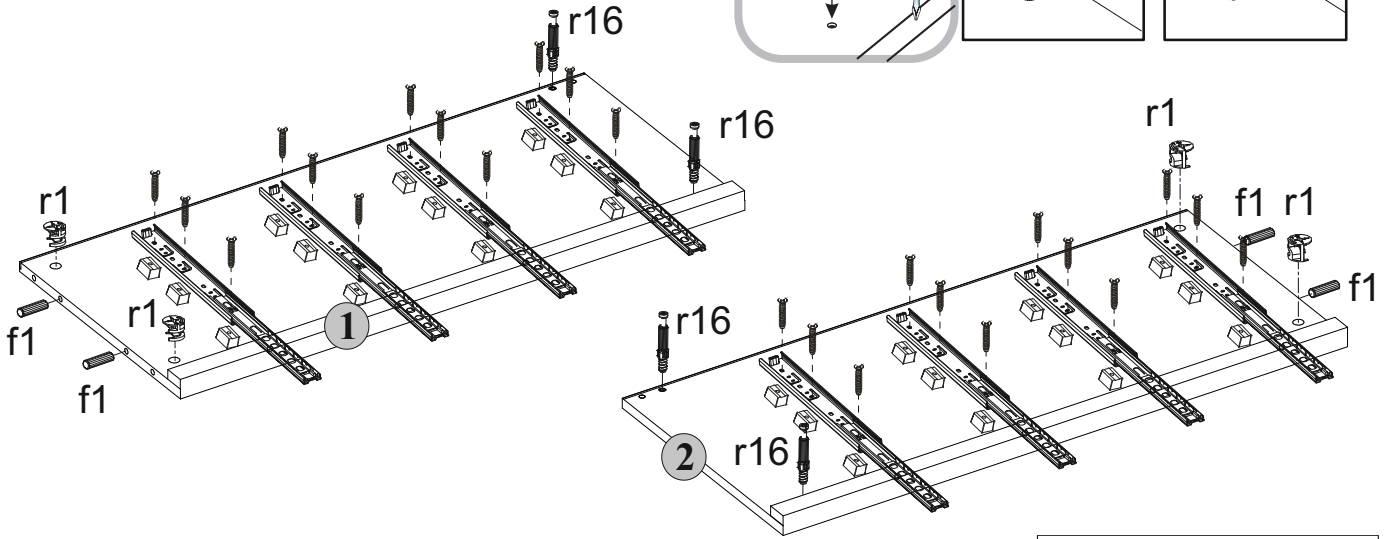
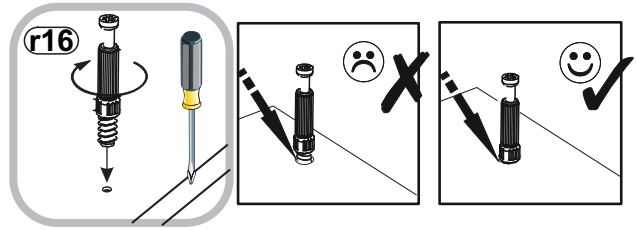
Chest of 4Drw



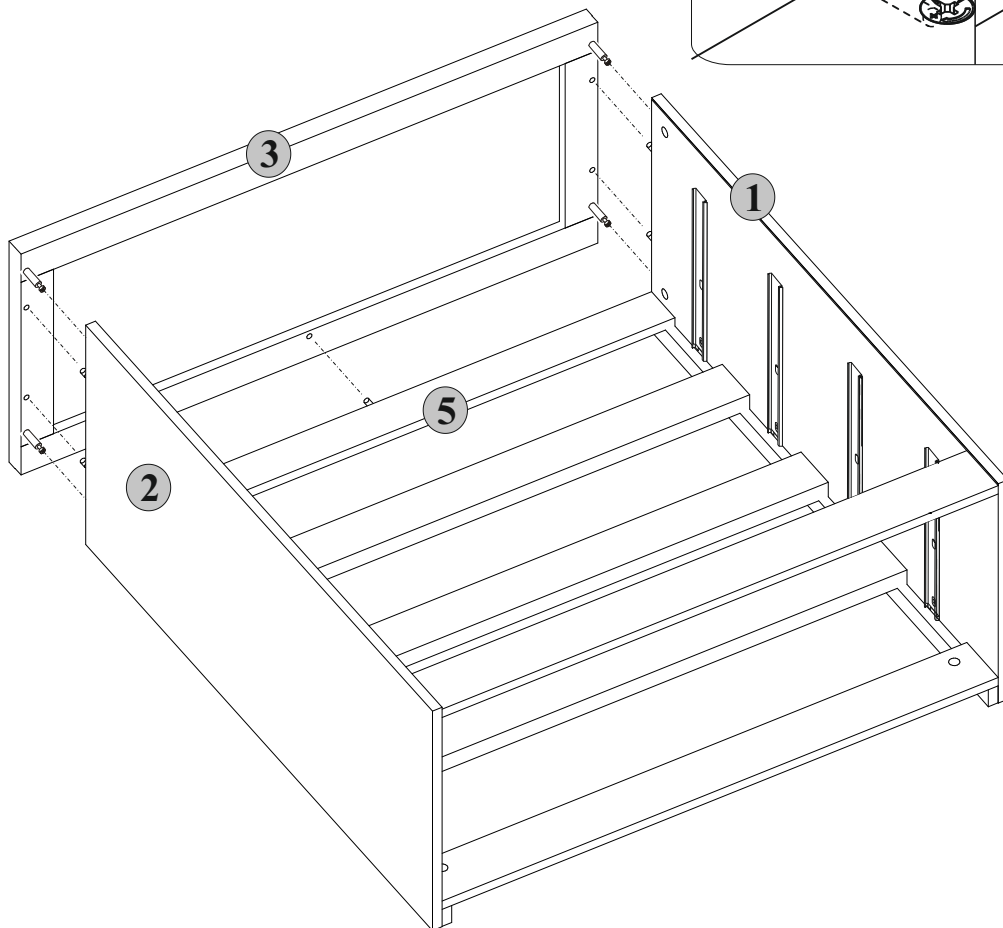
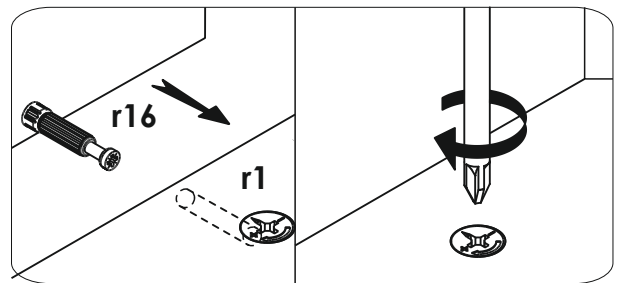
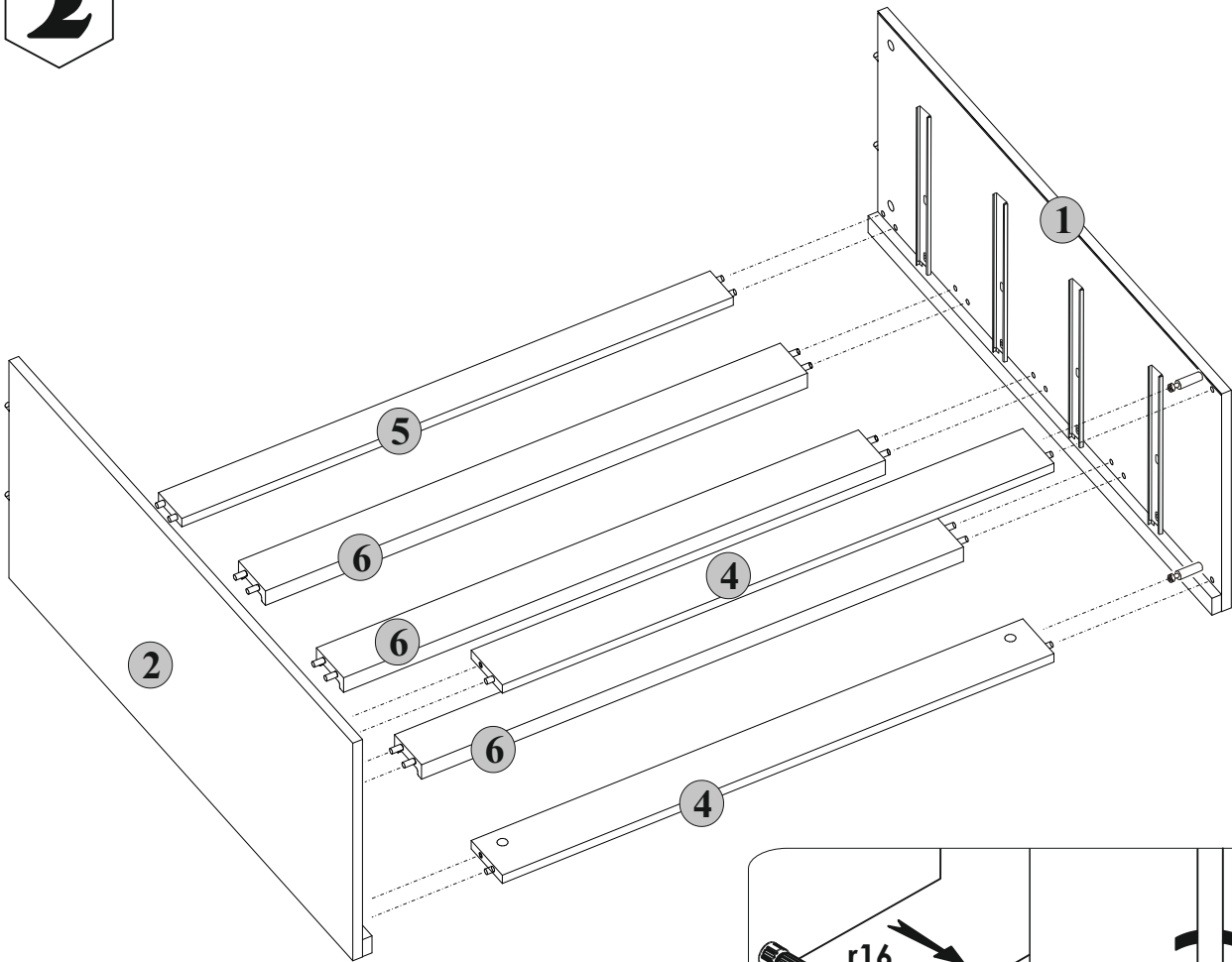
number	Measurements	Pcs.
1	890x390	1
2	890x390	1
3	890x393	1
4	858x80	2
5	858x60	1
6	843x70	3
7	350x100	4
8	350x100	4
9	770x100	4
10	822x172	4
11	780x345	4
12	835x437	2
13	764x	1



8x s1	4x k1	4x t16
8x φ6.3x50 mm e1	24x w36	4x w350
32x φ3.5x13 mm p1	41x φ8x30 mm f1	24x φ6.3x27 mm e23
16x φ15 #16 r1	16x r16	1x z1
16x s2	60x l1	

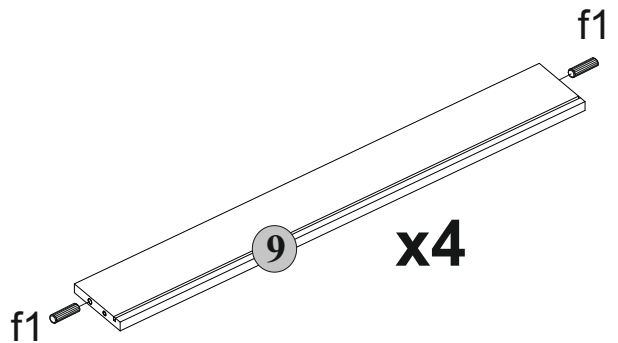
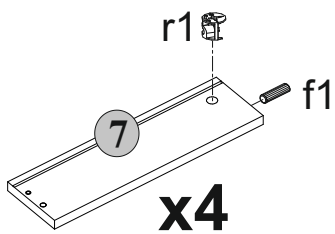
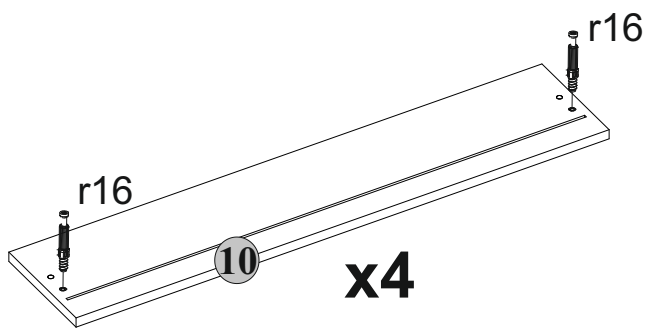
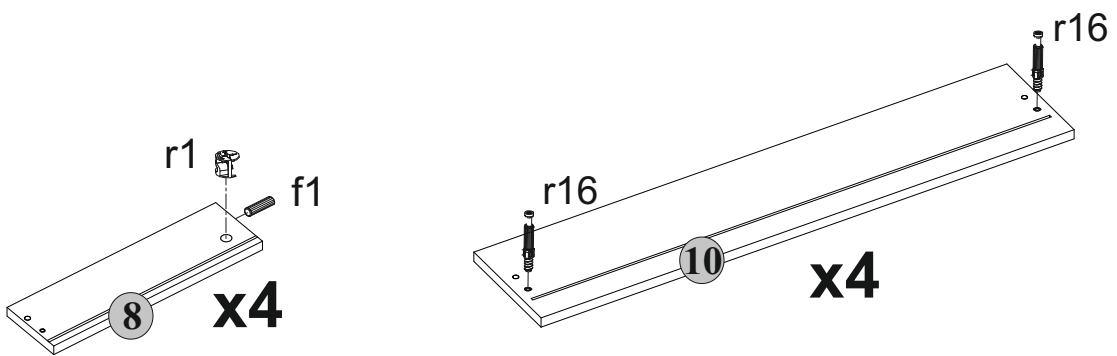
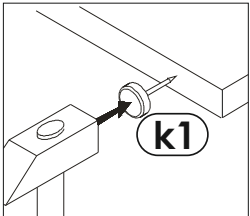
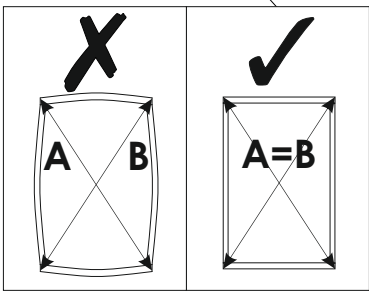
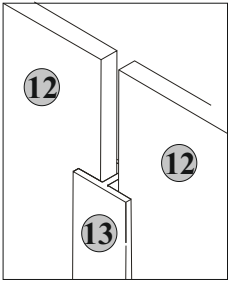
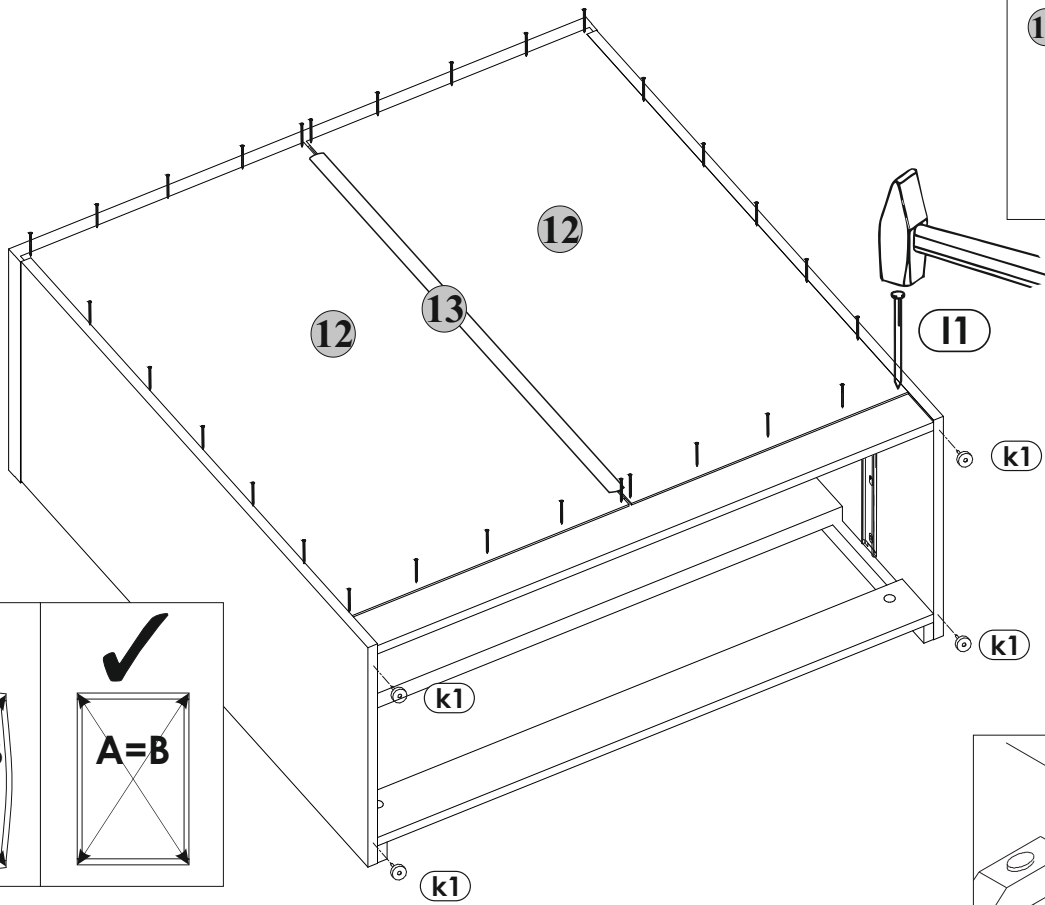


2



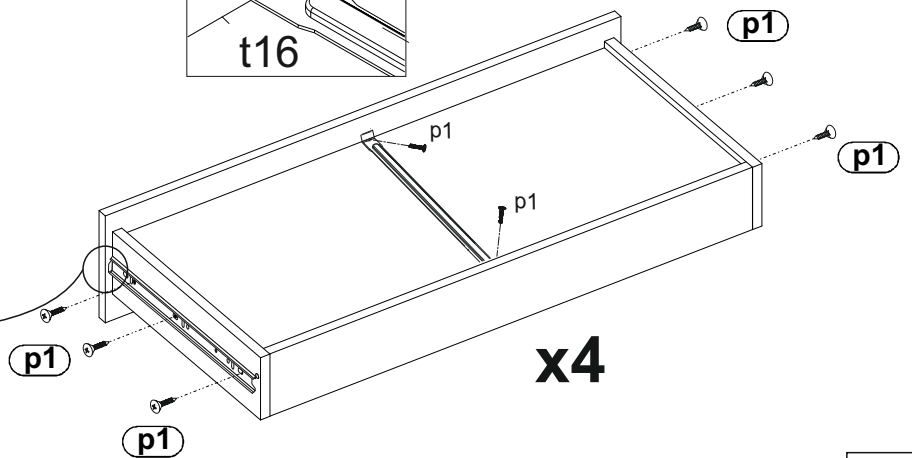
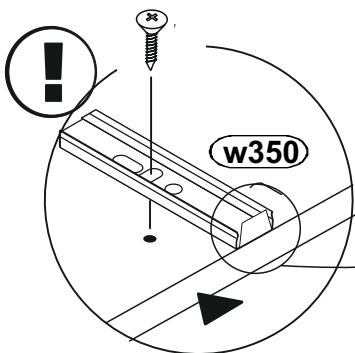
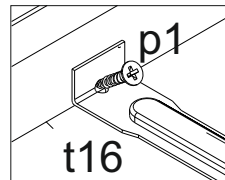
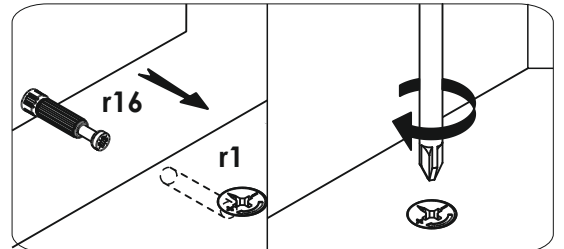
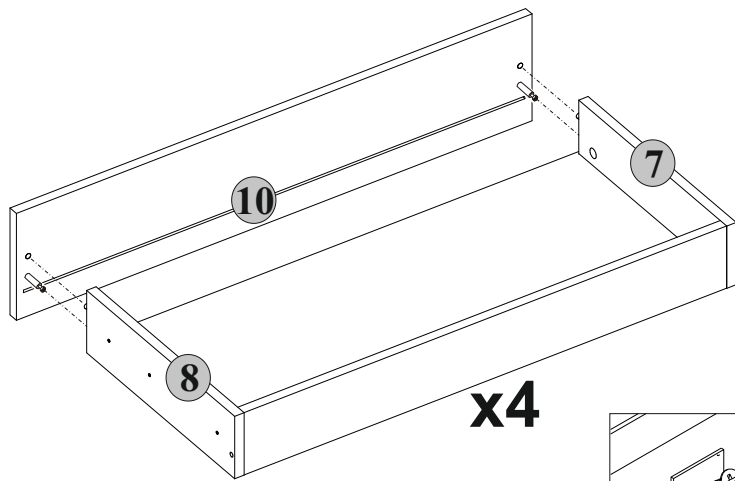
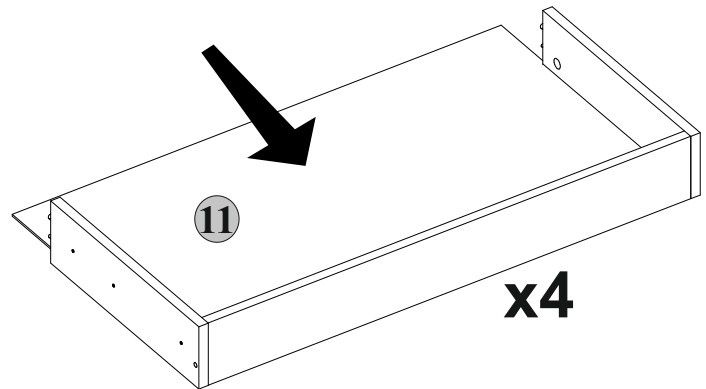
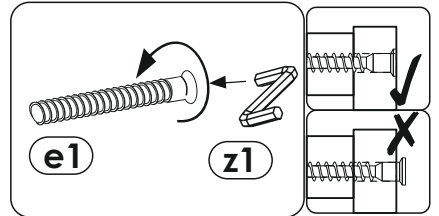
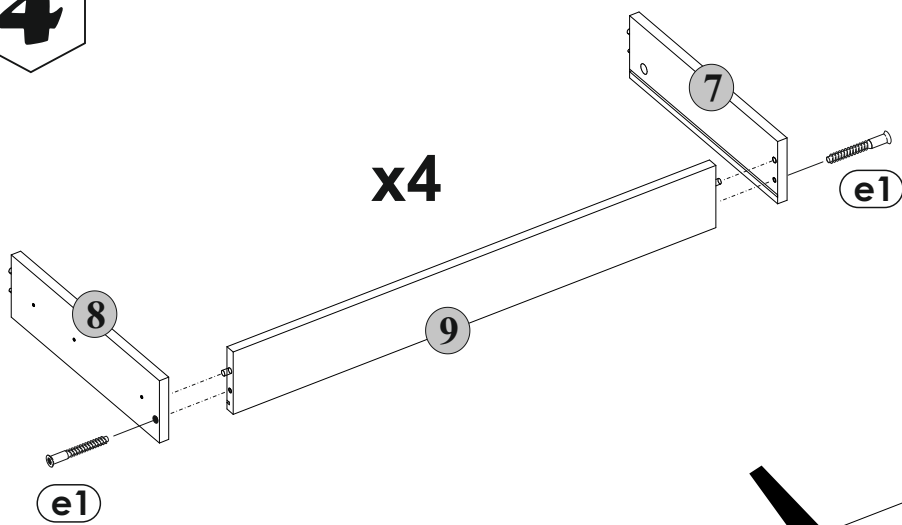
3

3



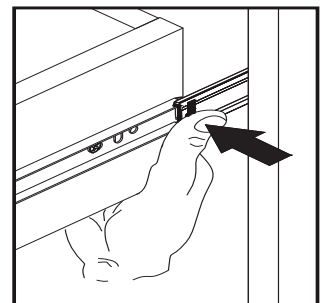
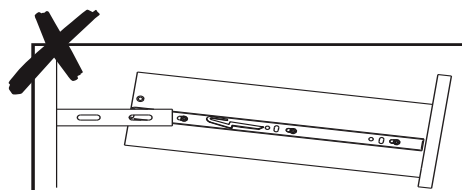
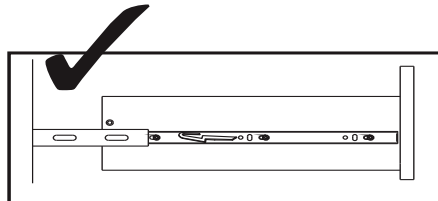
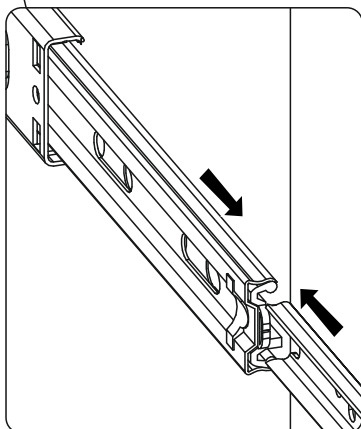
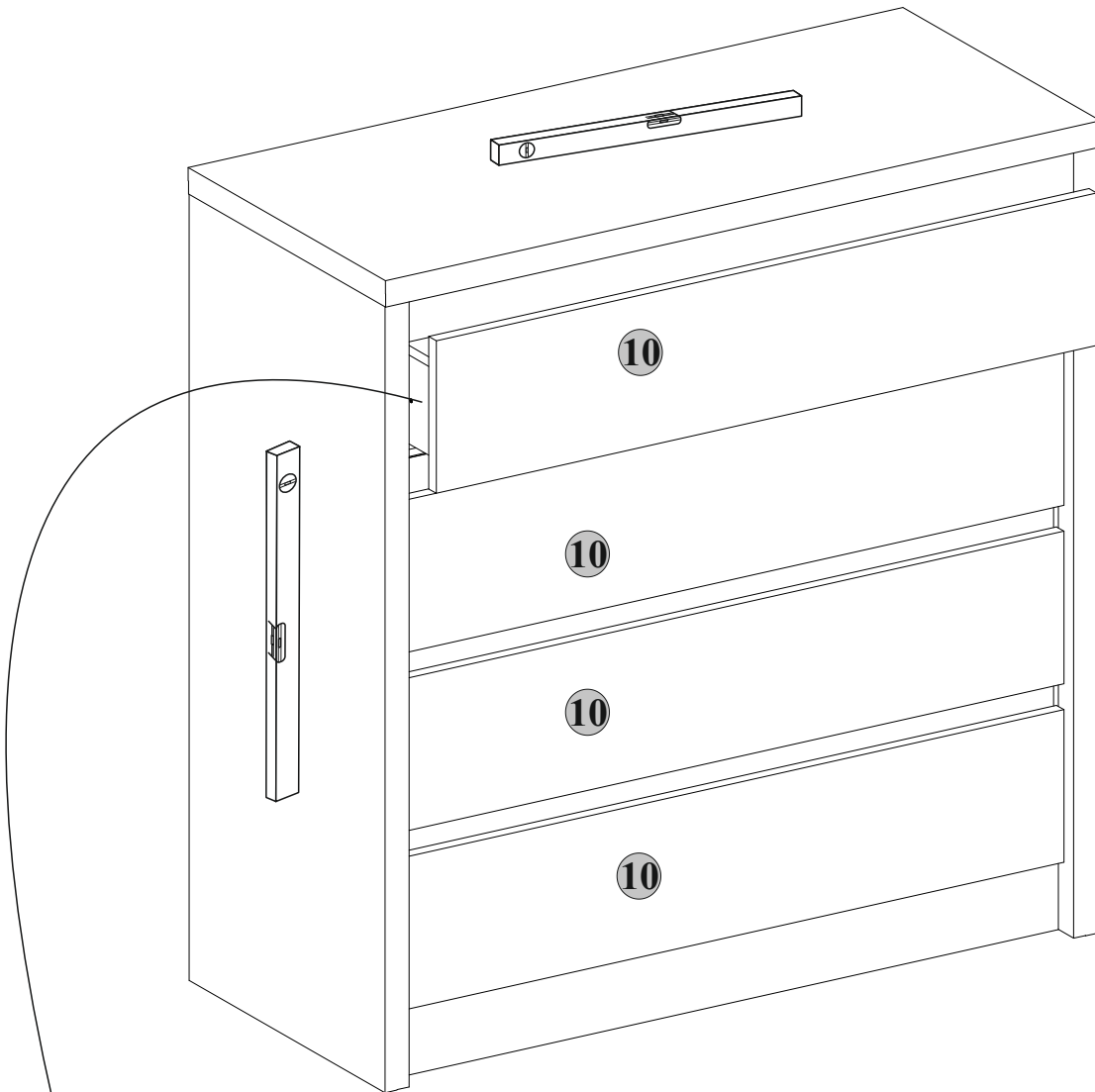
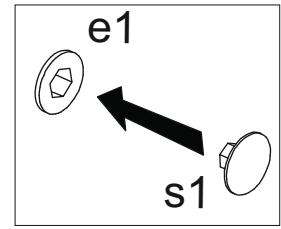
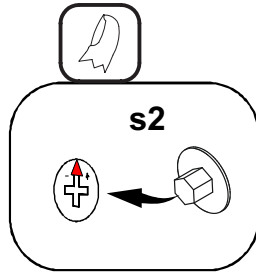
4

4



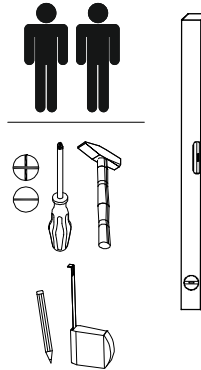
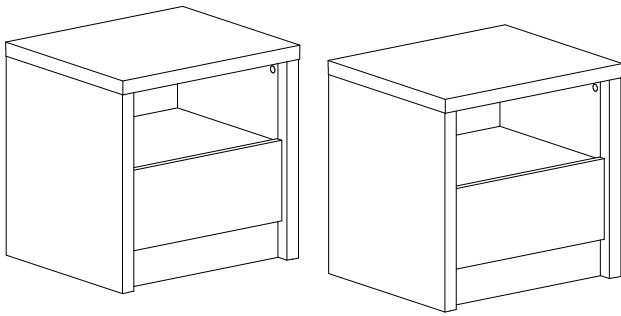
5

5

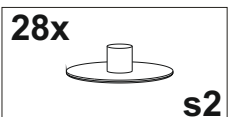
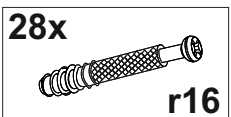
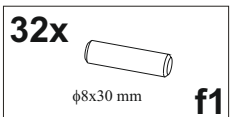
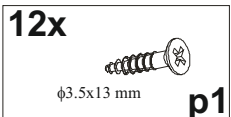
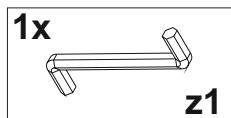
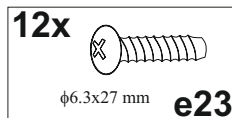
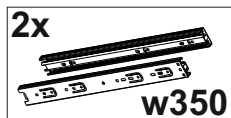
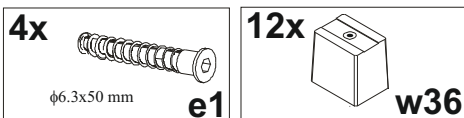
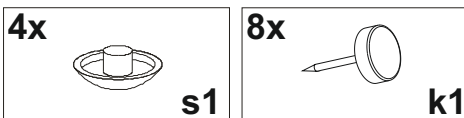
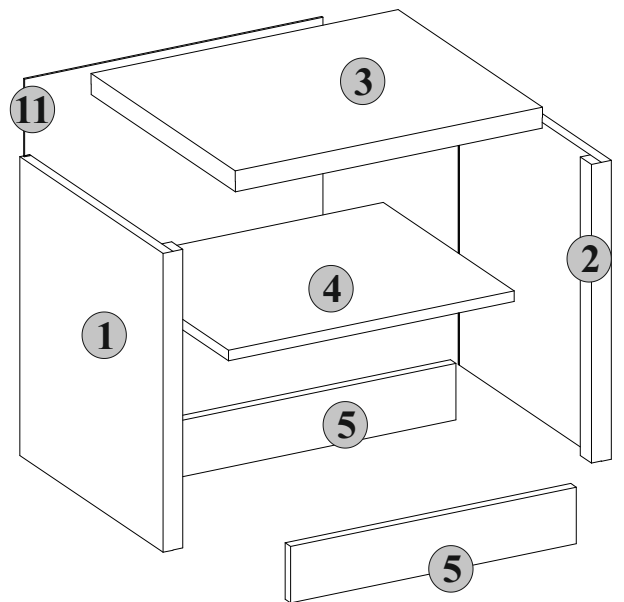
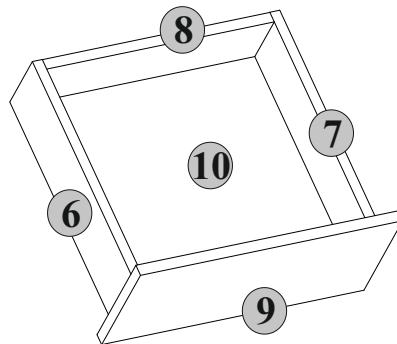
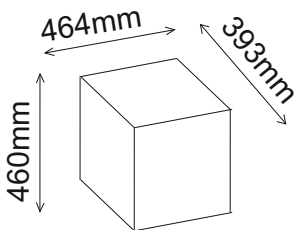


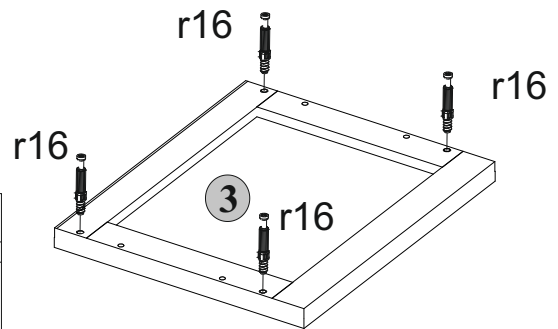
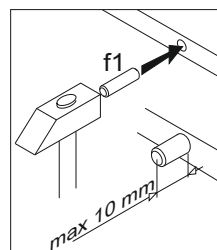
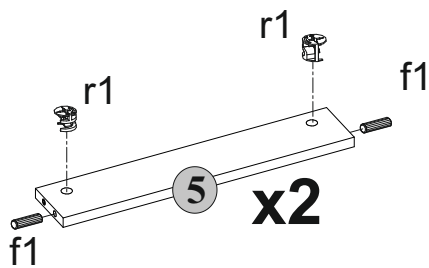
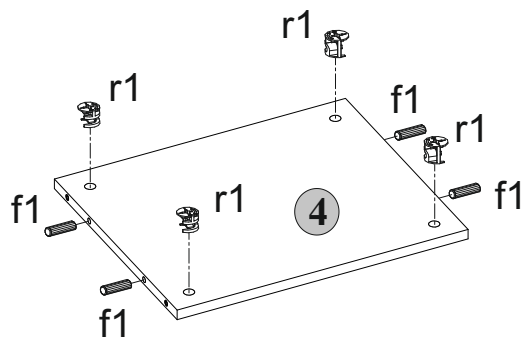
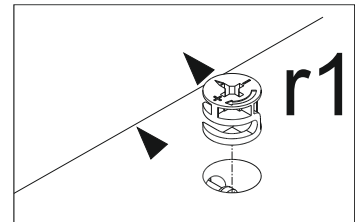
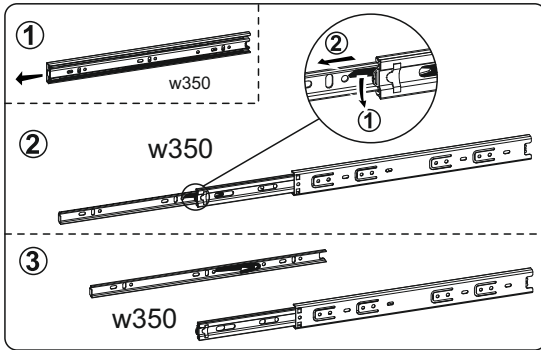
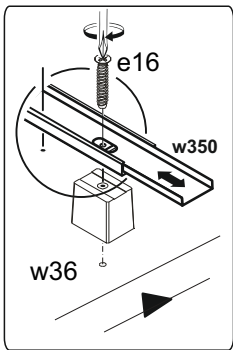
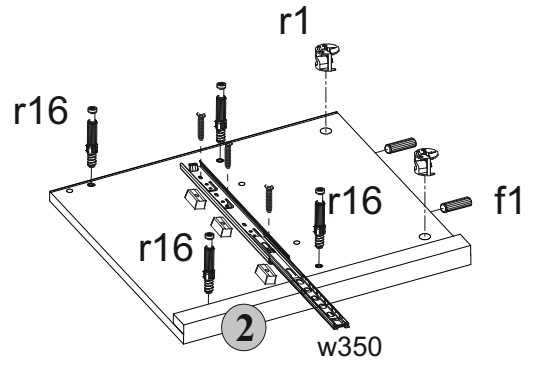
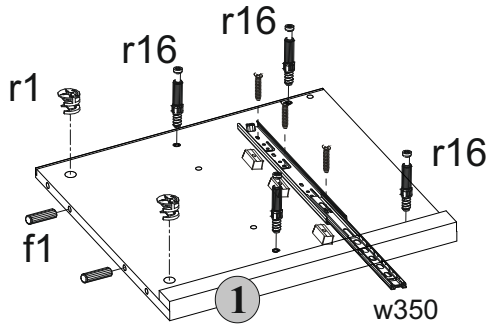
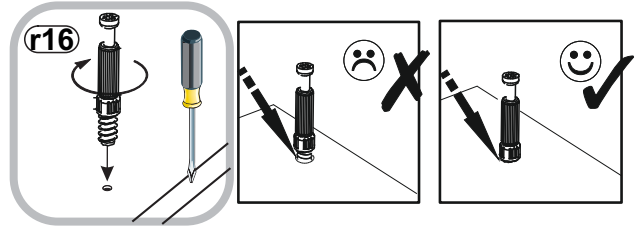
6

Nightstand 1Drw

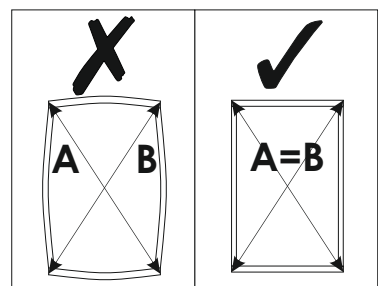
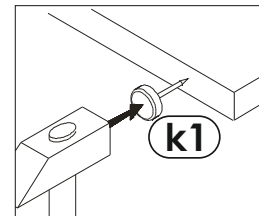
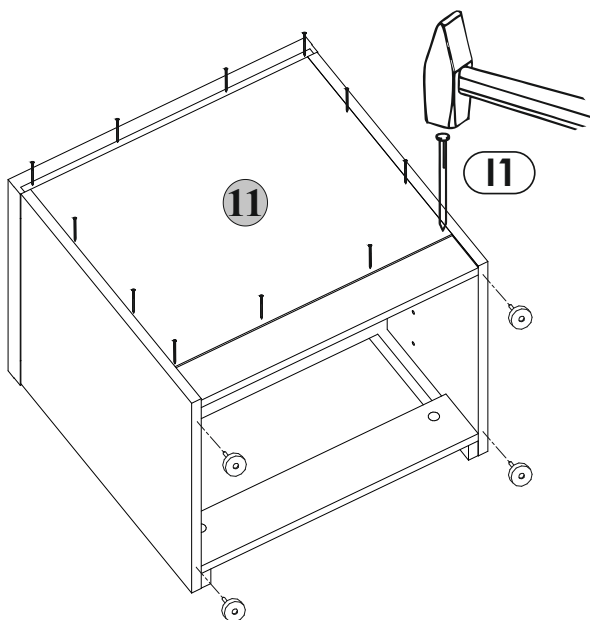
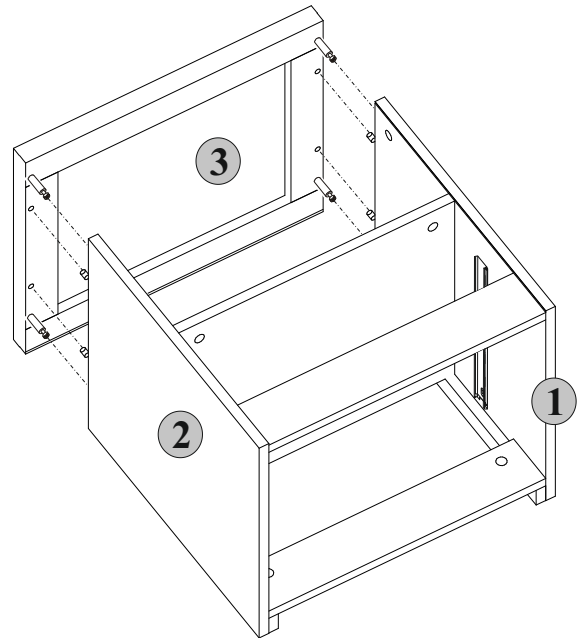
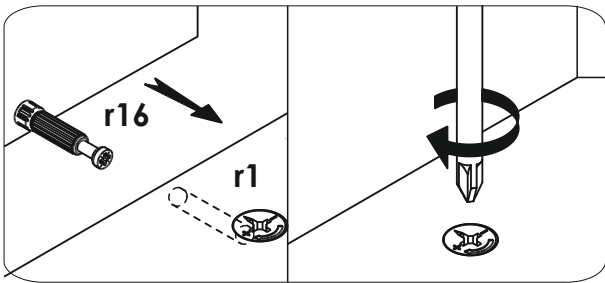
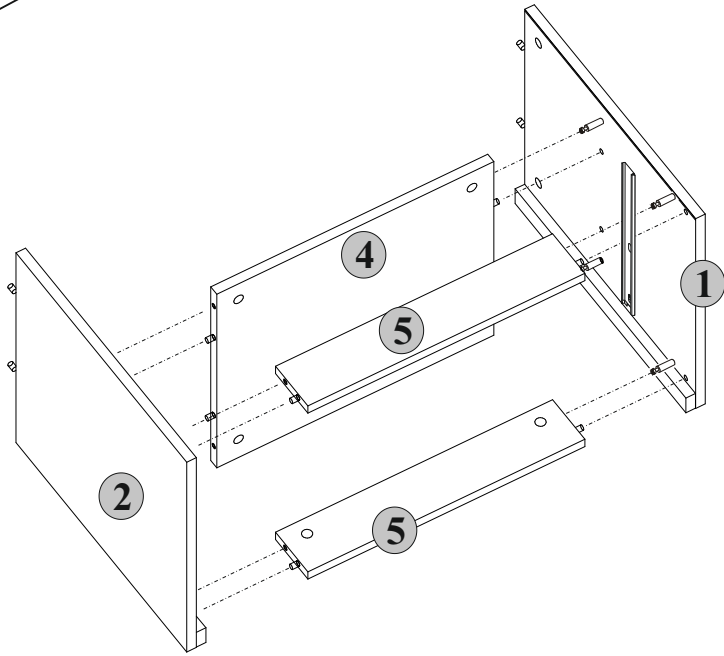


number	Measurements	Pcs.
1	426x390	2
2	426x390	2
3	464x393	2
4	432x357	2
5	432x80	4
6	350x100	2
7	350x100	2
8	344x100	2
9	396x172	2
10	354x345	2
11	371x451	2



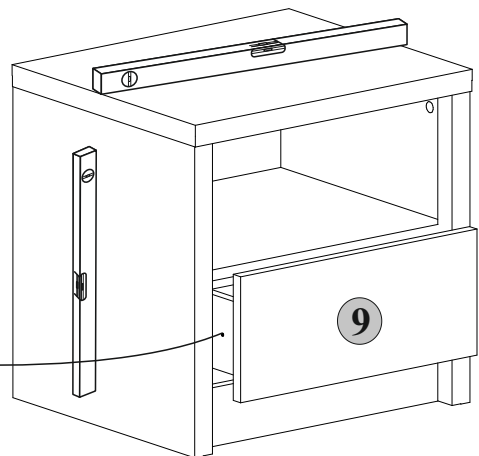
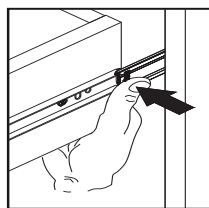
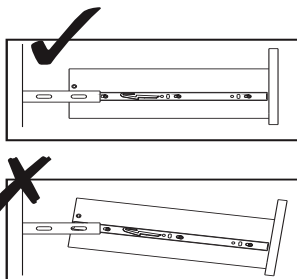
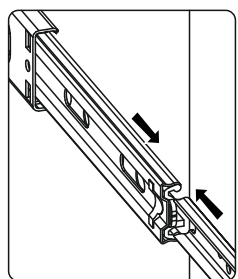
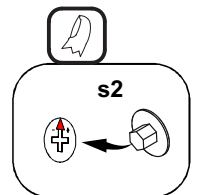
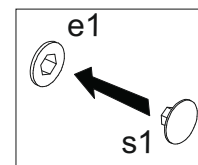
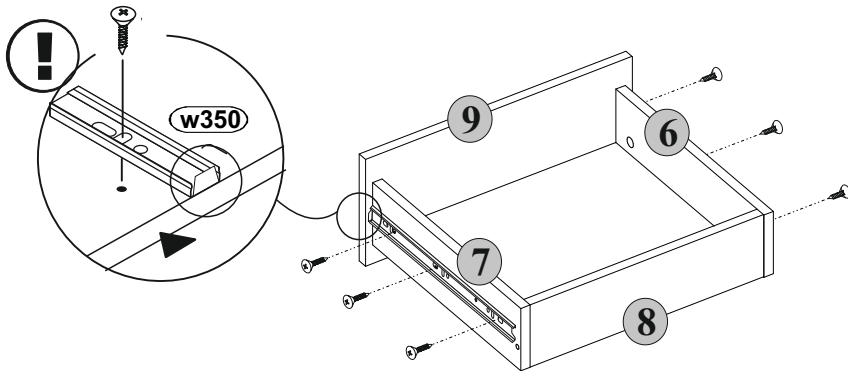
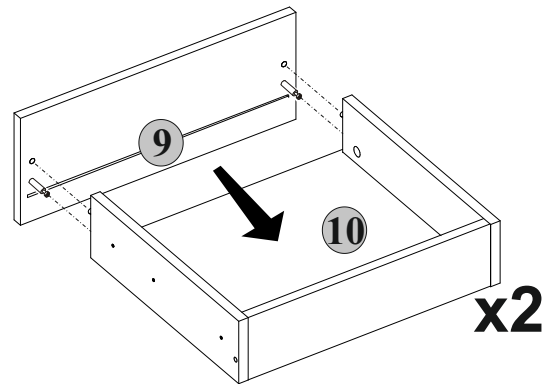
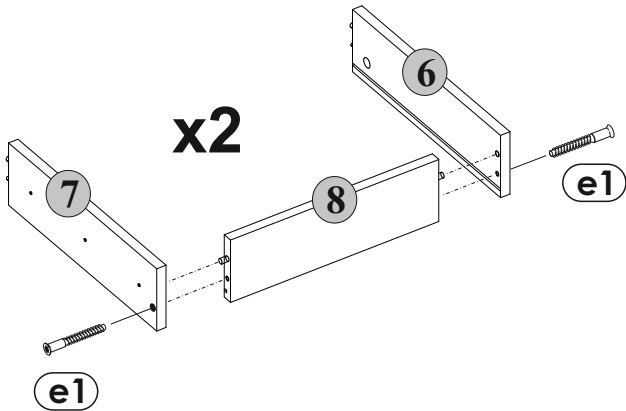
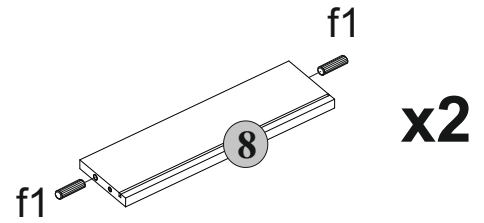
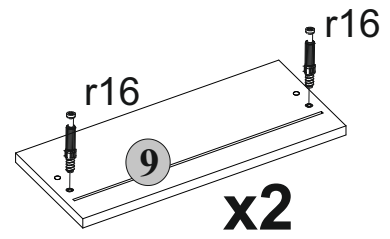
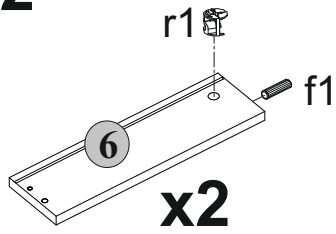
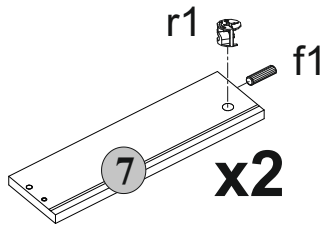


2



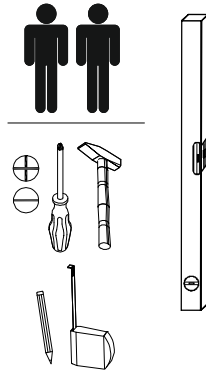
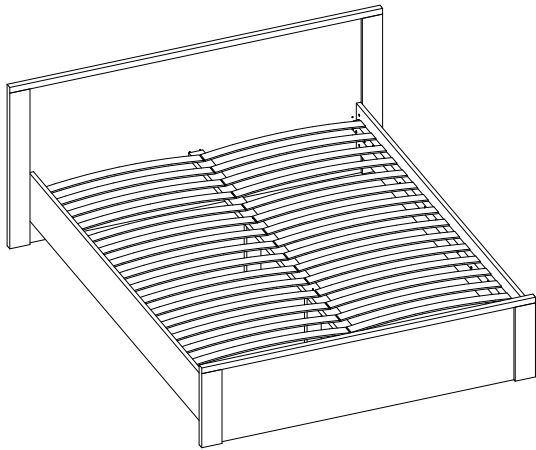
3

3

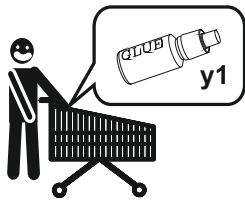
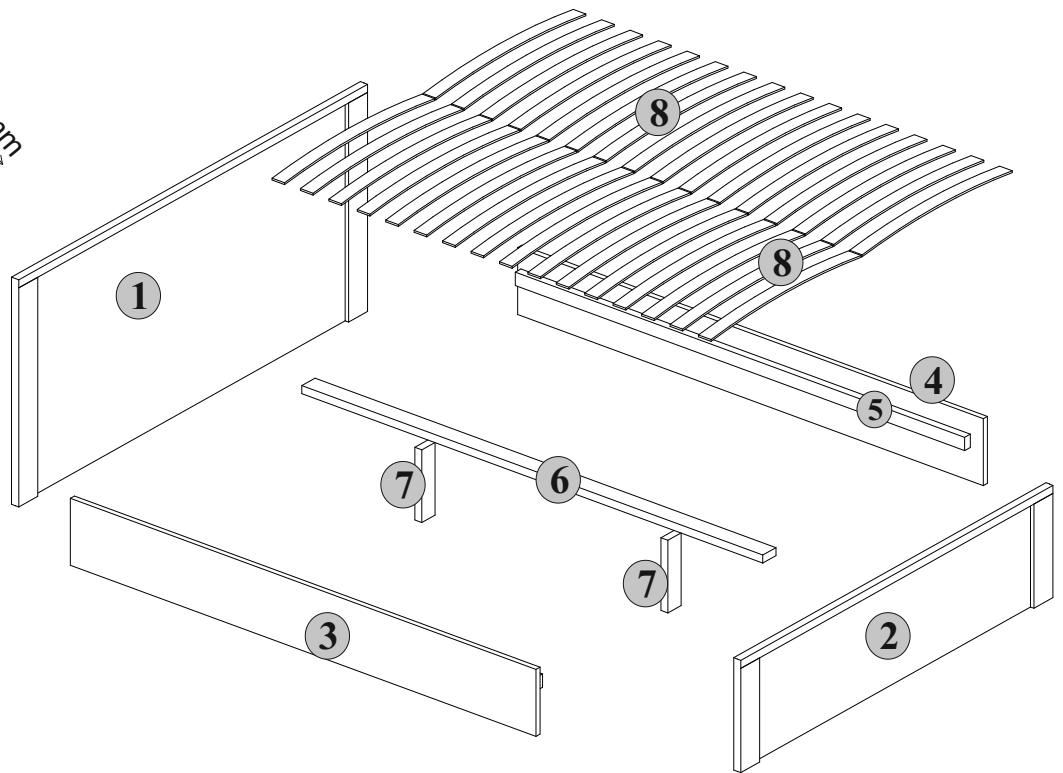
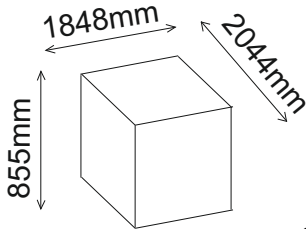


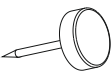

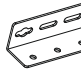
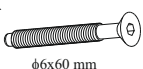
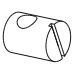



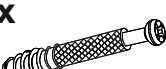



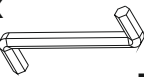
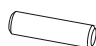



4

Lamella Bed 160

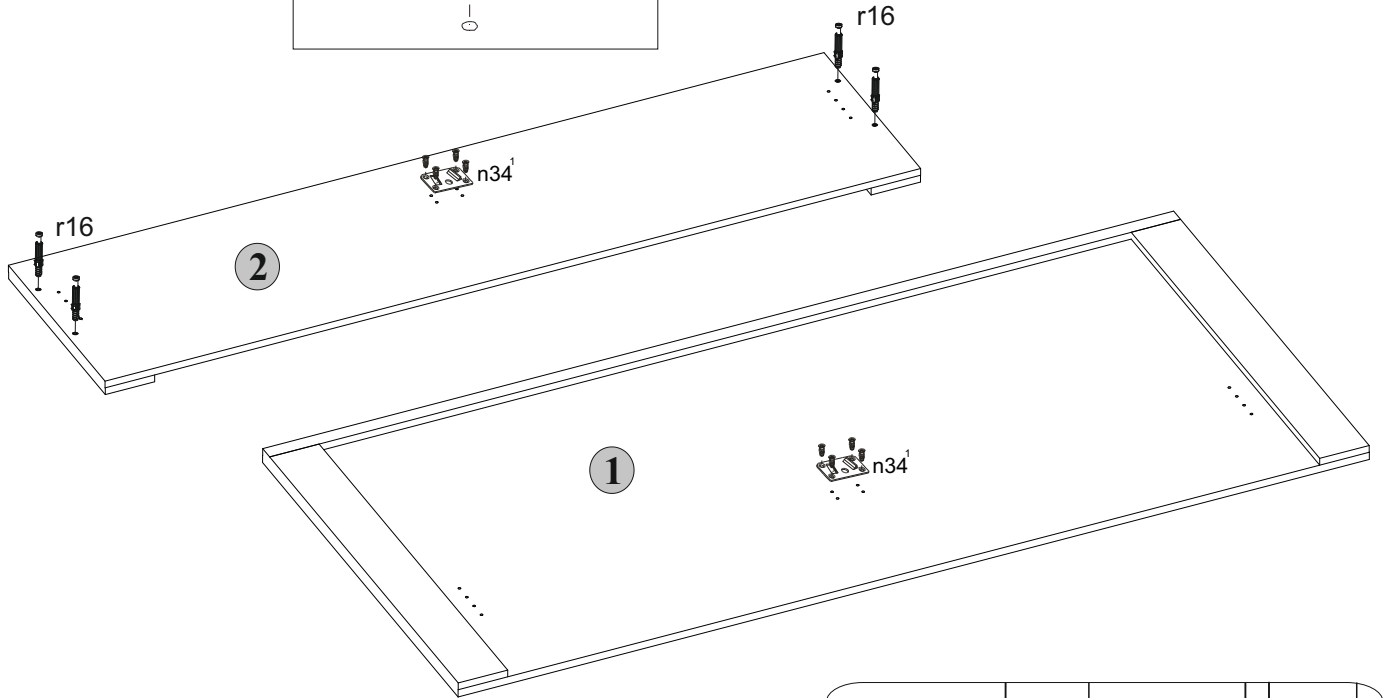
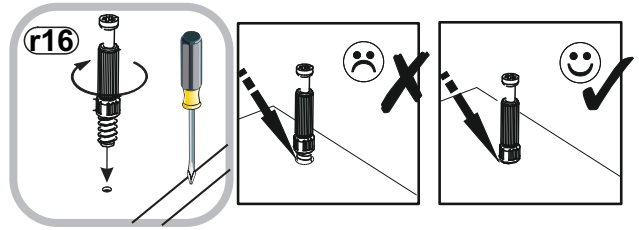
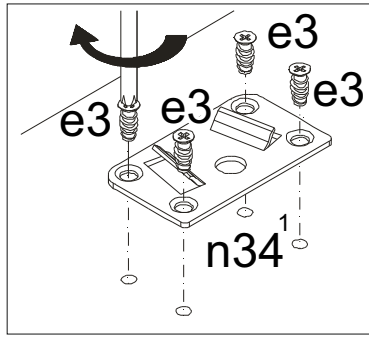


number	Measurements	Pcs.
1	1848x850	1
2	1654x420	1
3	1998x250	1
4	1998x250	1
5	1928x50	5
6	1978x70	1
7	272x70	2
8	796x54	32

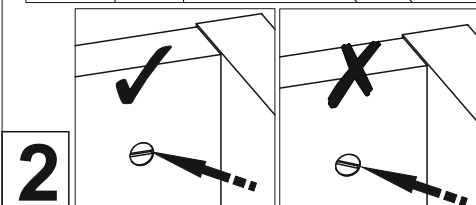
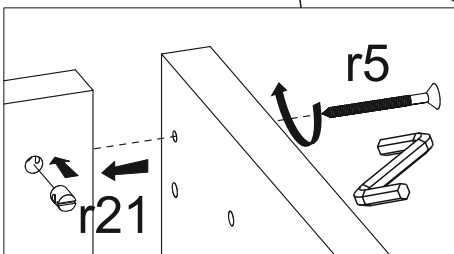
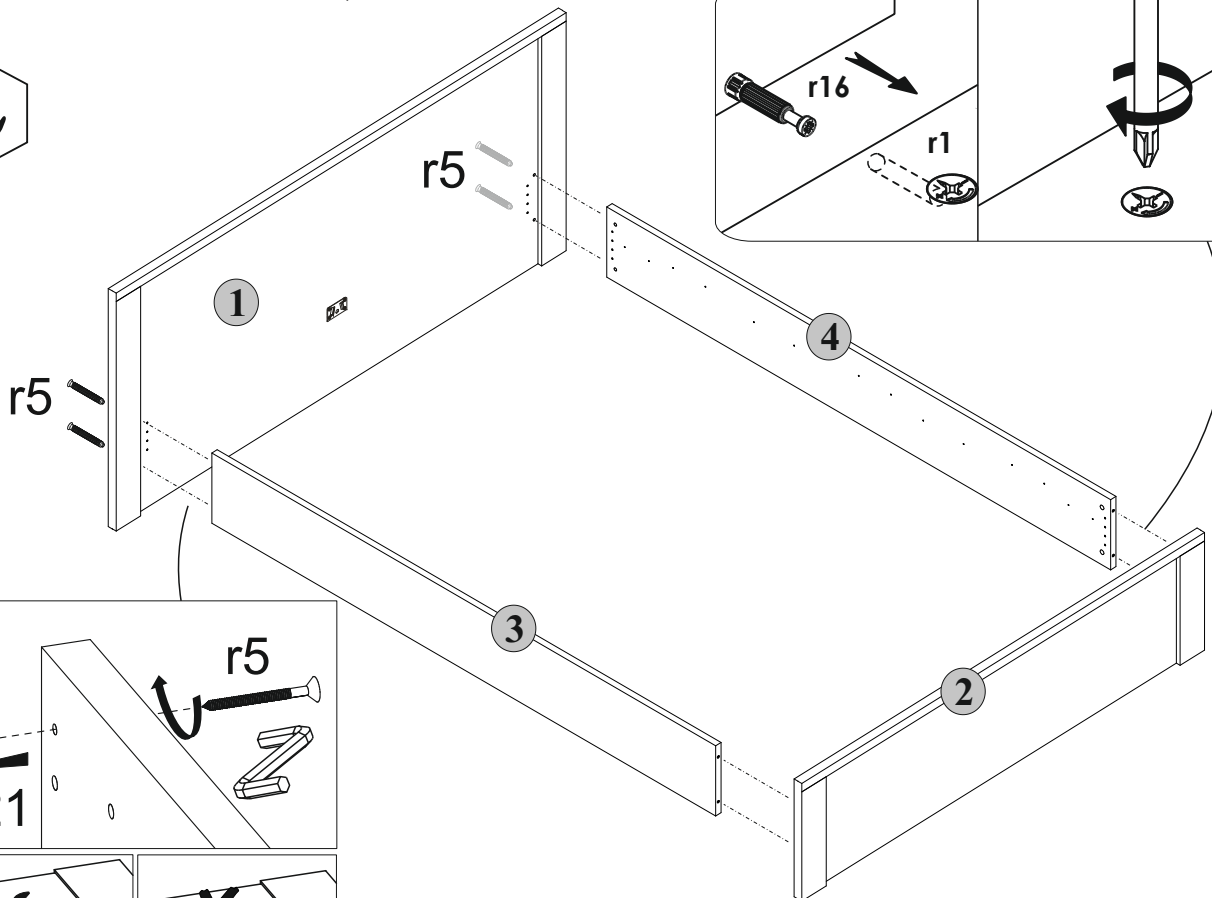
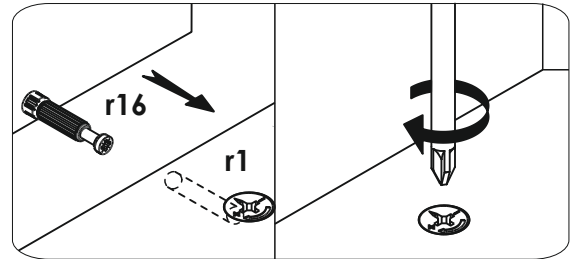


6x  k1	12x  φ3.5x25 mm p42	4x  130x34x34/2mm n63	4x  φ6x60 mm r5	4x  r21	2x  φ4x50 mm p12
4x  φ15 #22 r3	6x  φ4x20 mm p14	4x  r16	4x  s2	30x  φ4x40 mm p10	8x  φ6x13 mm e3
1x  z1	6x  φ8x30 mm f1	2x  n34 ¹	2x  n34 ²	32x  φ6.3x13 mm e2	1

1

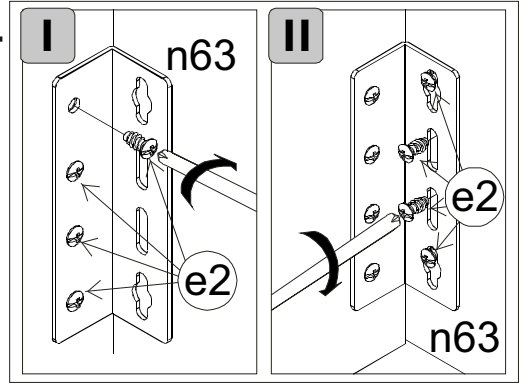
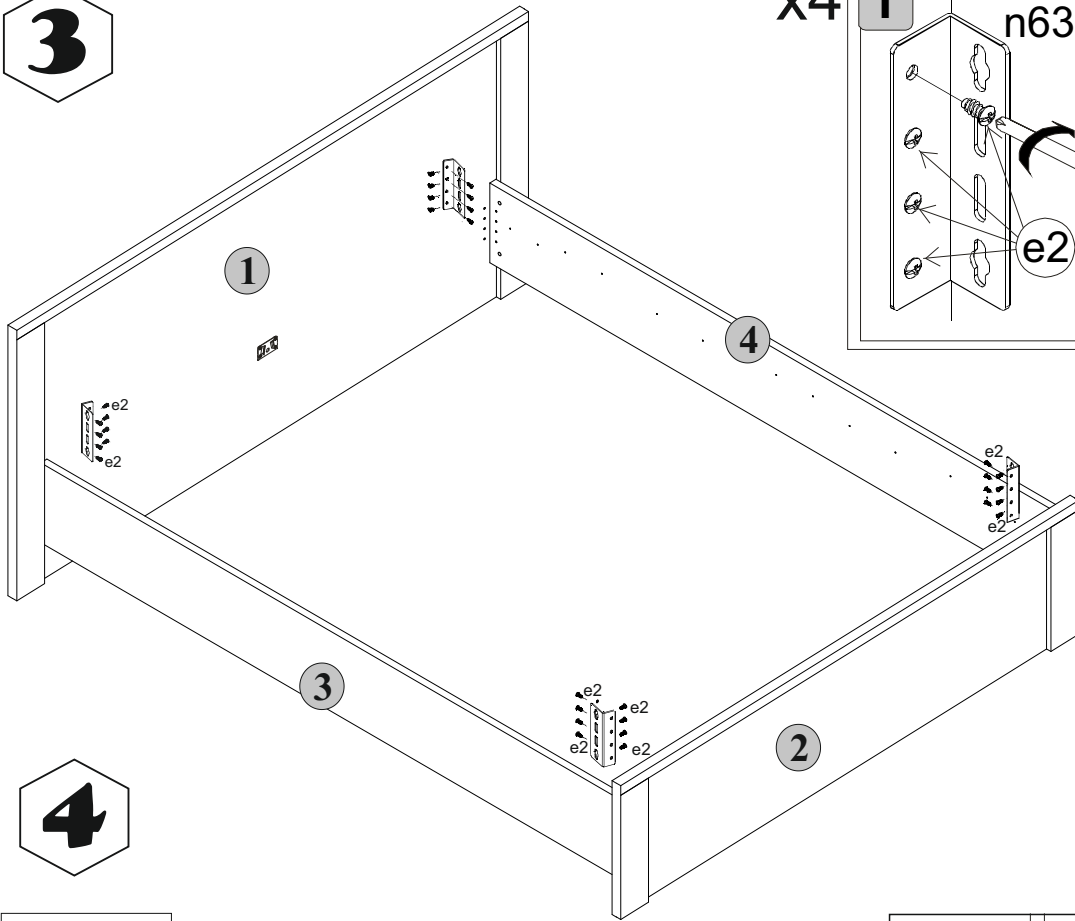


2

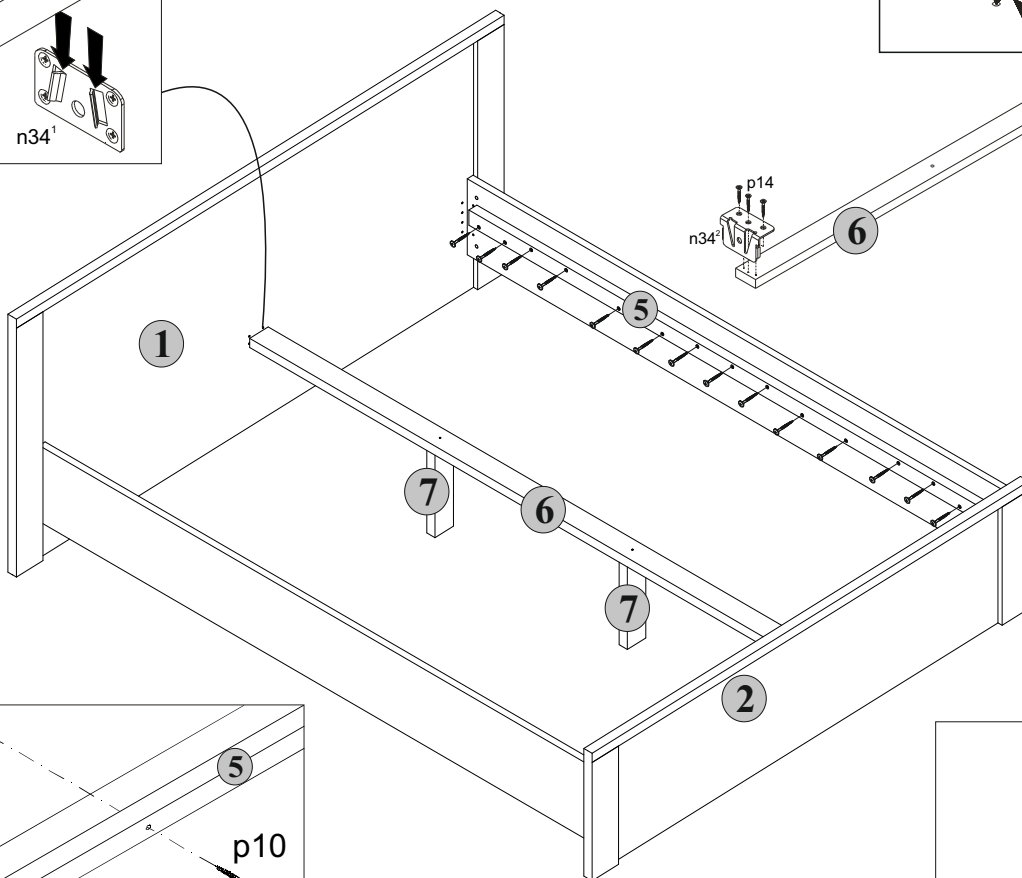
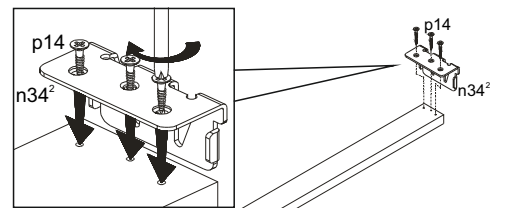
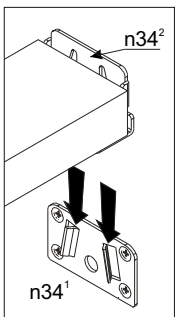


2

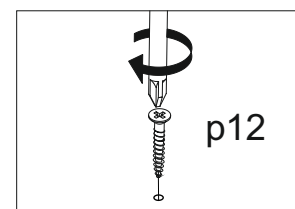
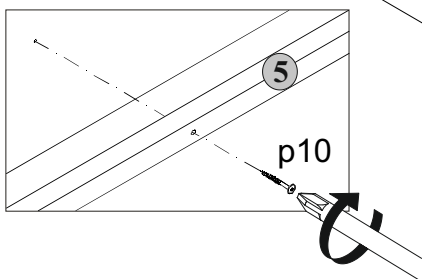
3



4

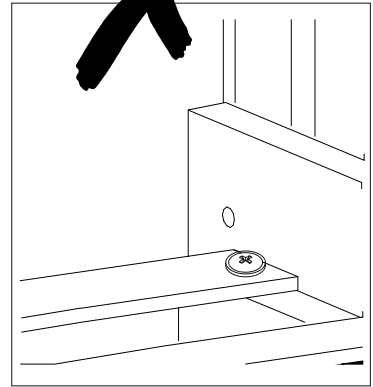
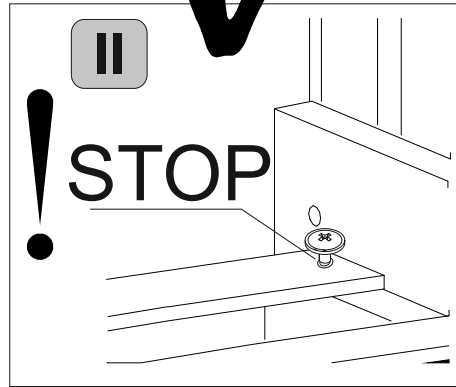
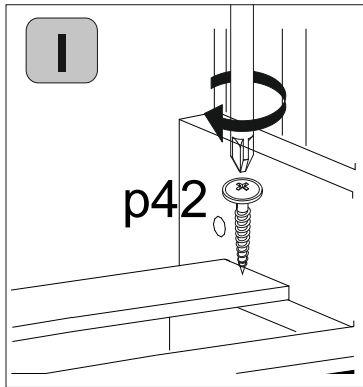
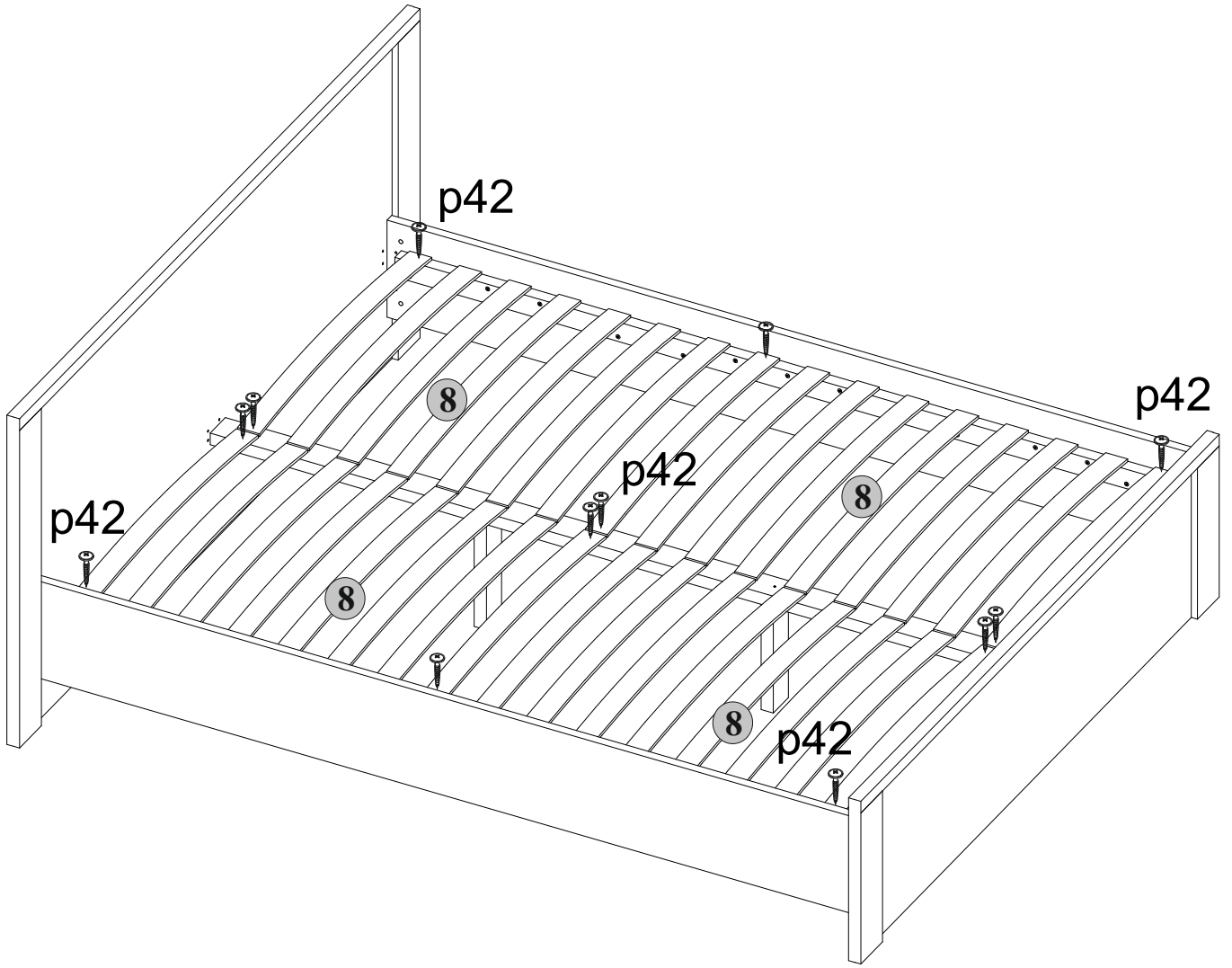


7
x2



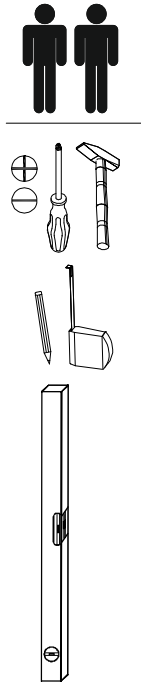
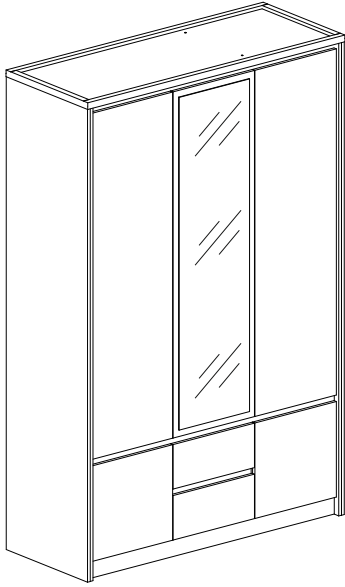
3

5

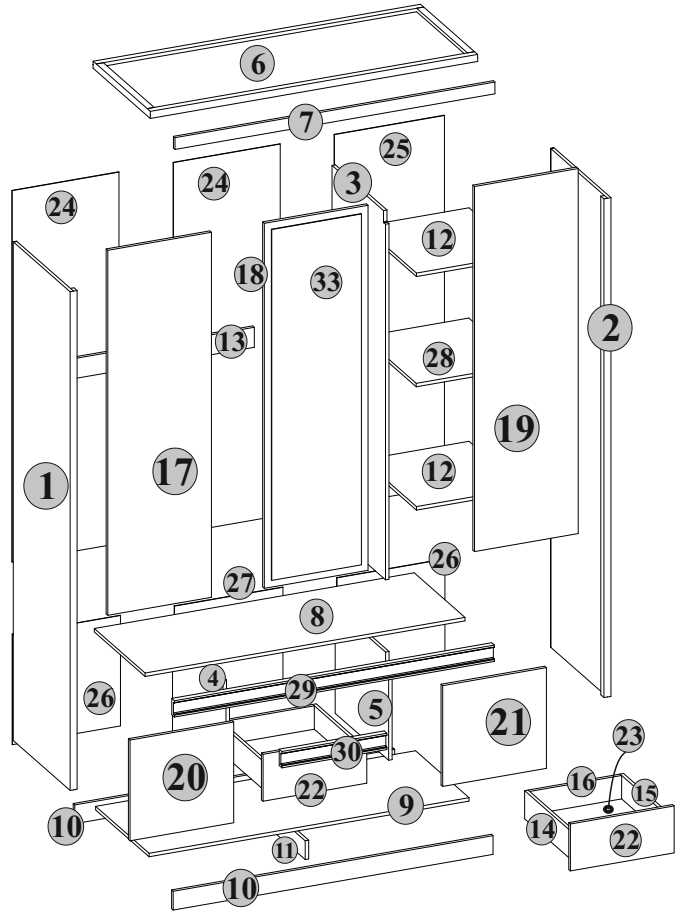
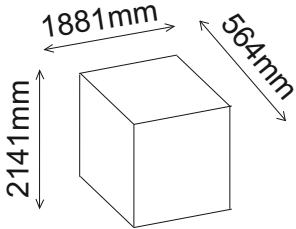


4

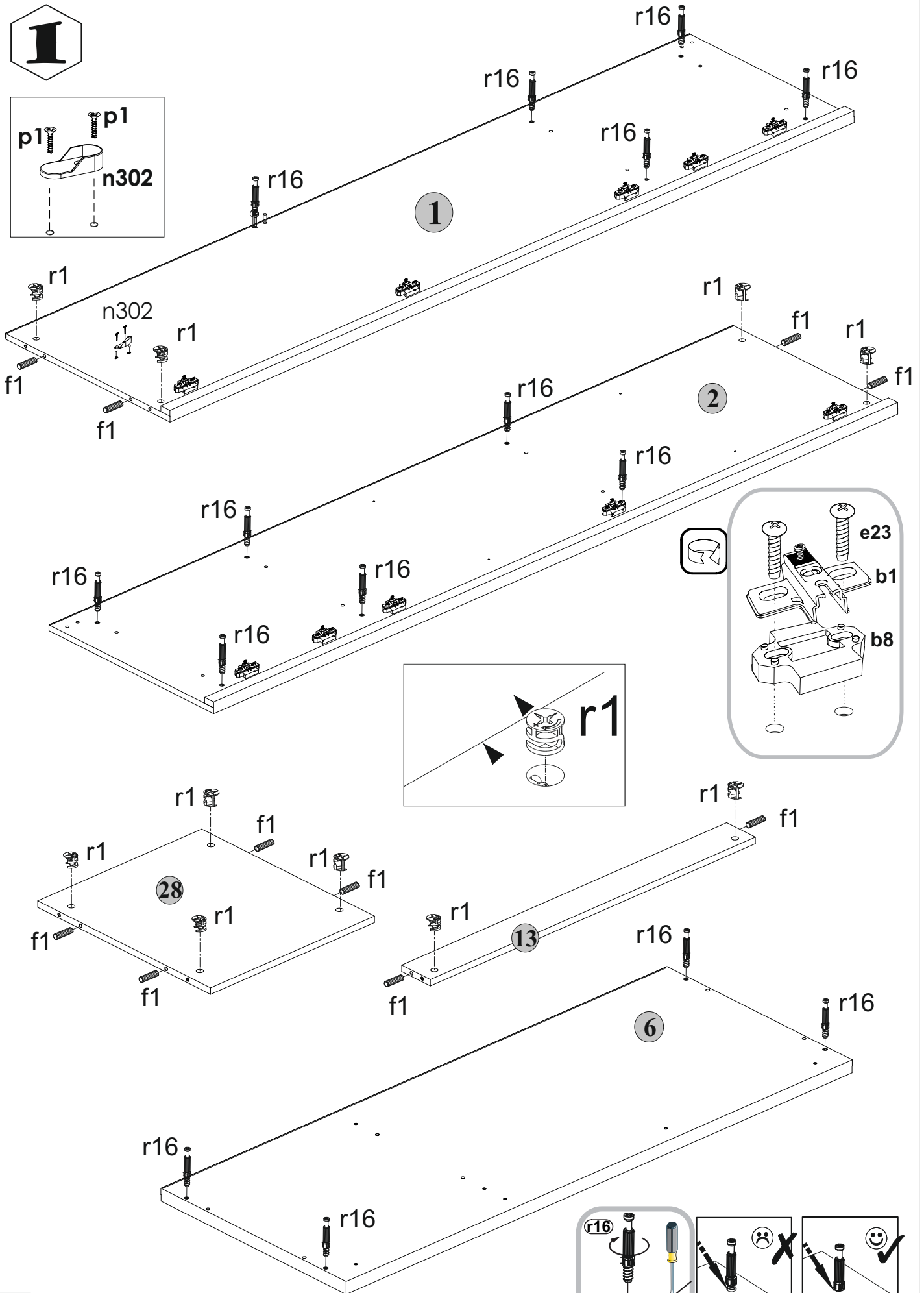
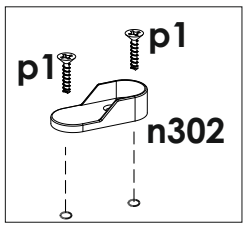
Wardrobe 3D



number	Measurements	Pcs.	number	Measurements	Pcs.	number	Measurements	Pcs.
1	2132x550	1	12	456x516	2	23	406x445	2
2	2132x550	1	13	906x85	1	24	1588x460	2
3	1571x517	1	14	450x120	2	25	1588x474	1
4	451x517	1	15	450x120	2	26	472x465	2
5	451x517	1	16	396x120	2	27	472x467	1
6	1410x553	1	17	1560x446	1	28	457x516	1
7	1378x50	1	18	1560x446	1	29	1378x70	1
8	1378x491	1	19	1560x446	1	30	452x70	1
9	1378x517	1	20	430x446	1	31	964x	1
10	1378x80	2	21	430x446	1	32	1565x	1
11	461x80	1	22	446x200	2	33	1500x386	1

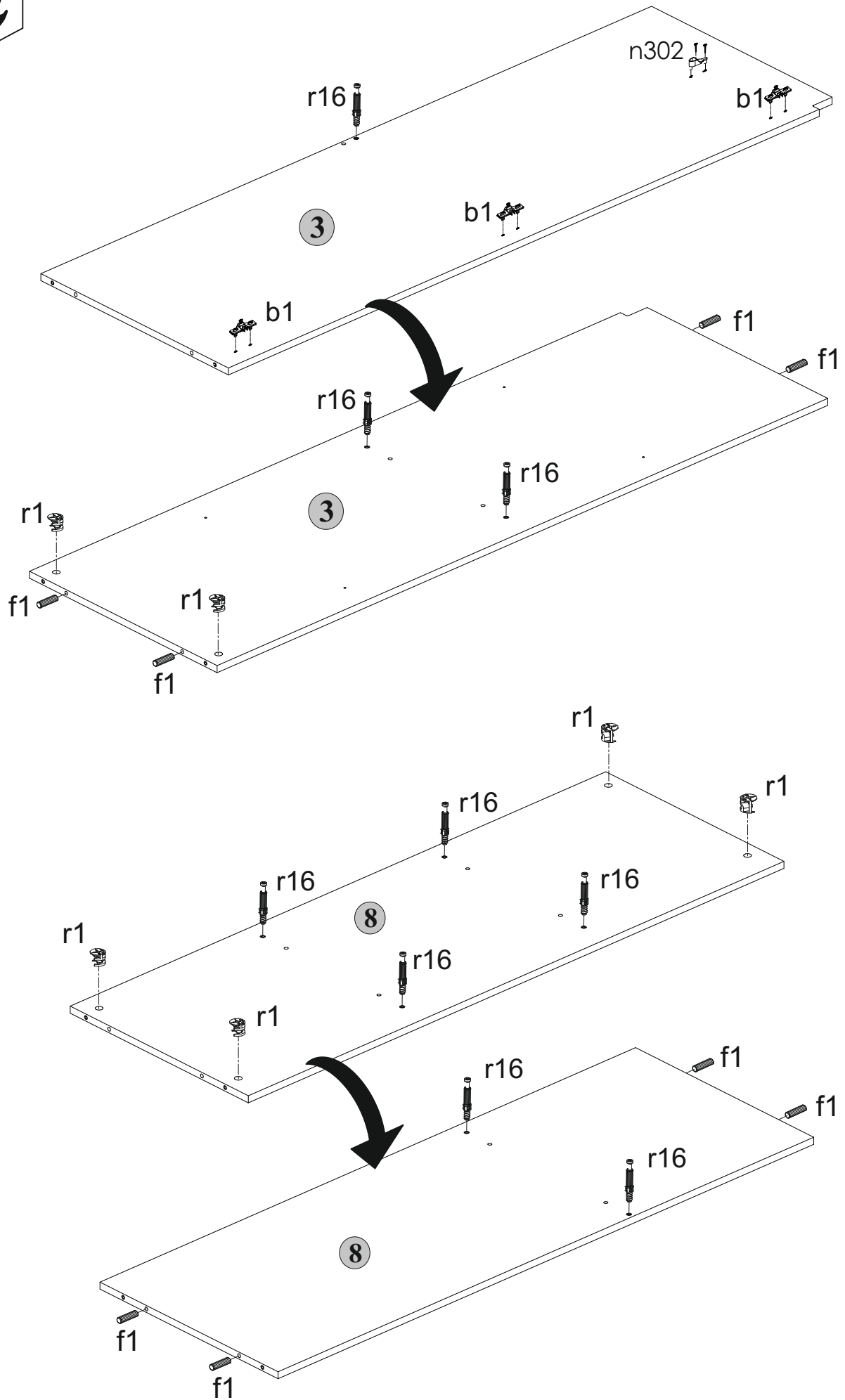


10x a43	10x b3					6x φ6.3x13 mm e2
18x s1	10x b8	6x k1	4x n50	3x a1	3x b1	
18x 7x50 e1	8x φ5x17 mm d1	2x n302	20x φ6.3x27 mm e23	1x z1	130x l1	
70x φ3.5x13 mm p1	62x φ8x30 mm f1	28x φ15 #16 r1	28x r16	28x s2	1	



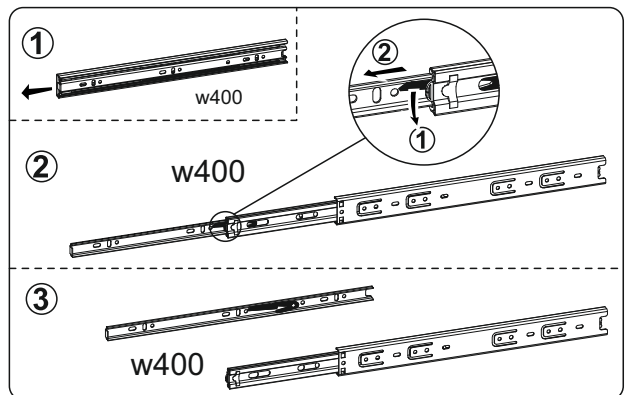
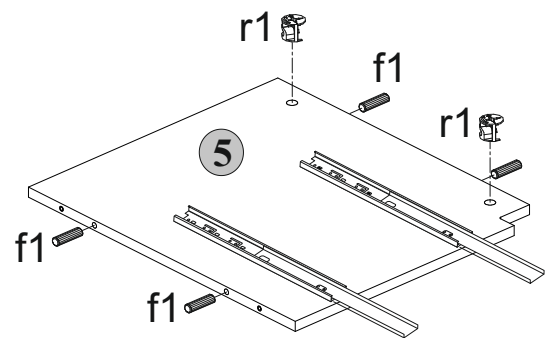
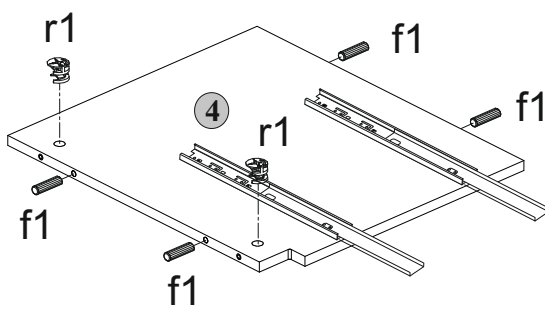
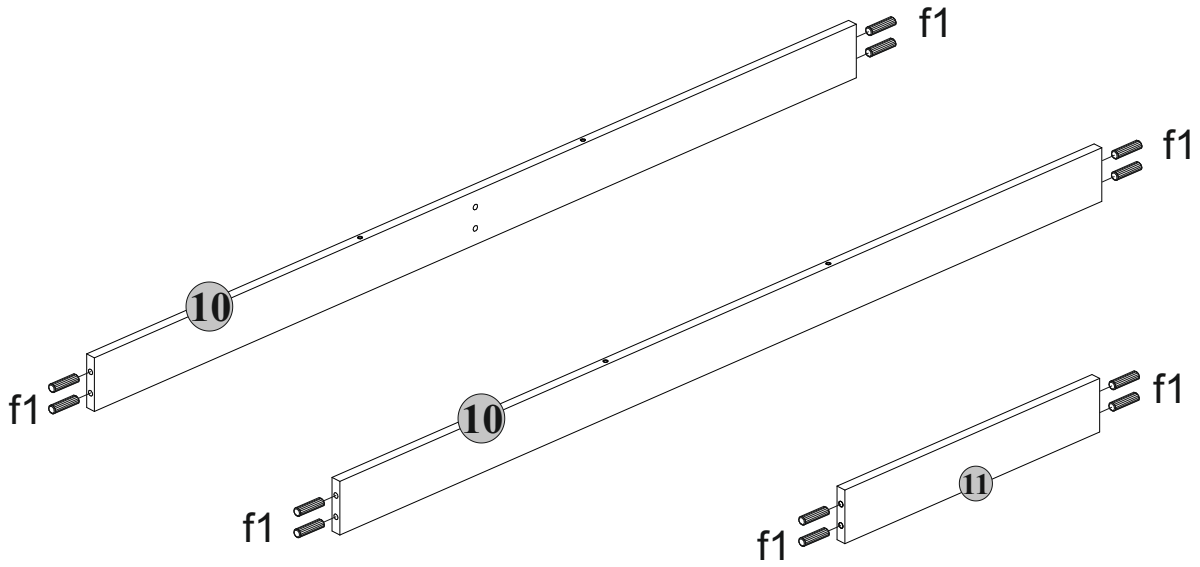
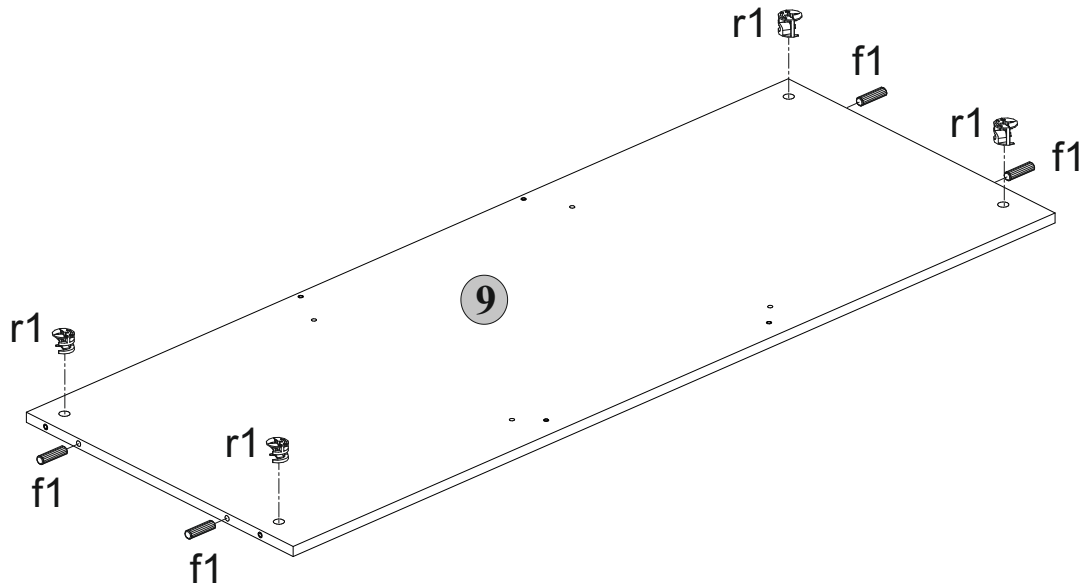
2

2



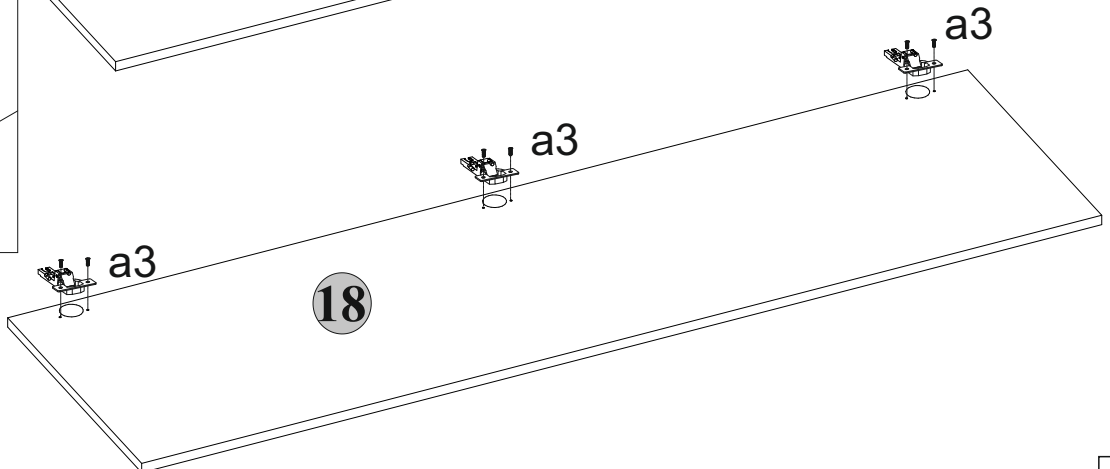
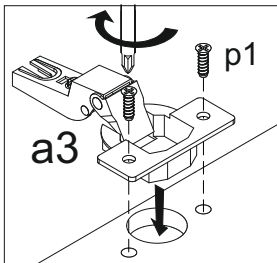
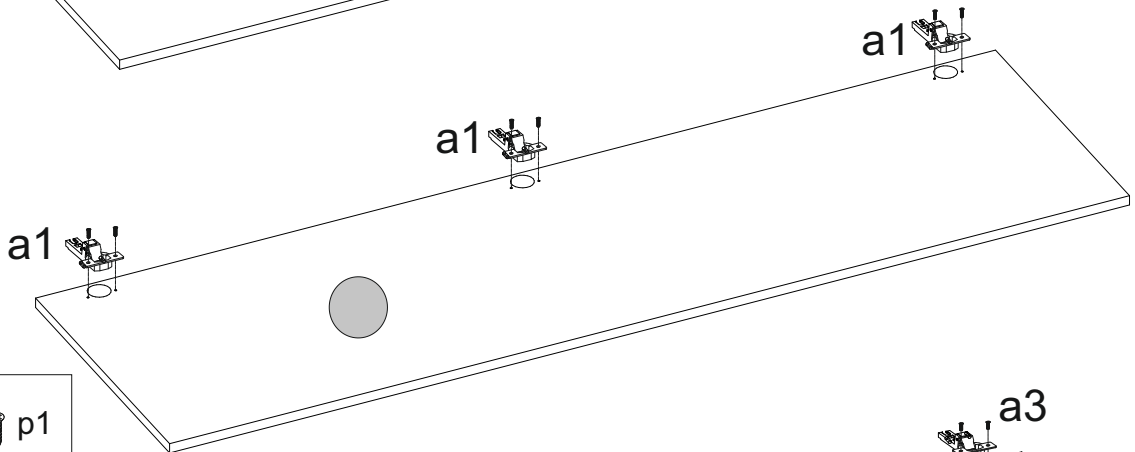
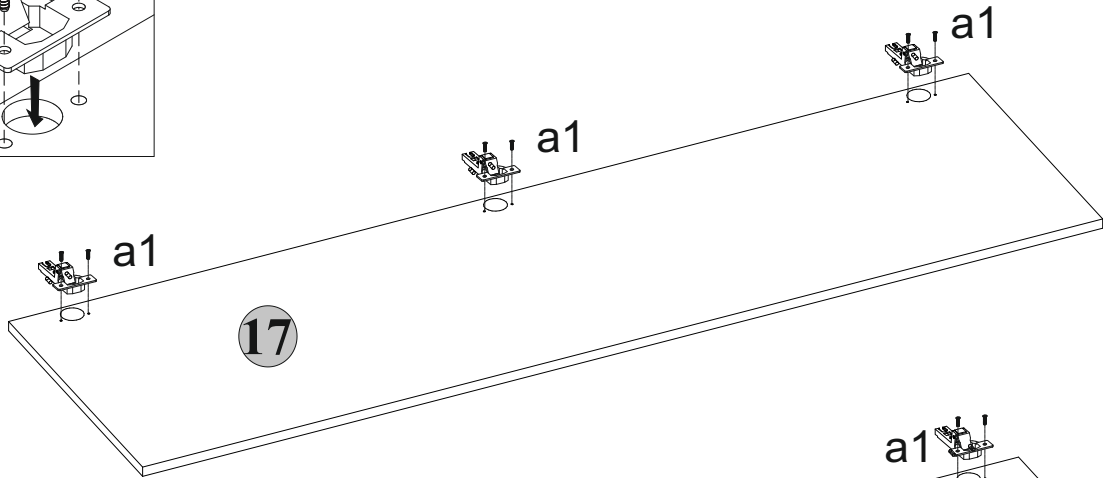
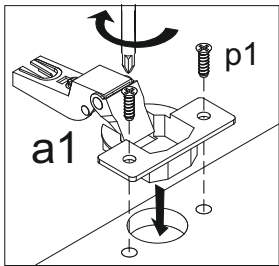
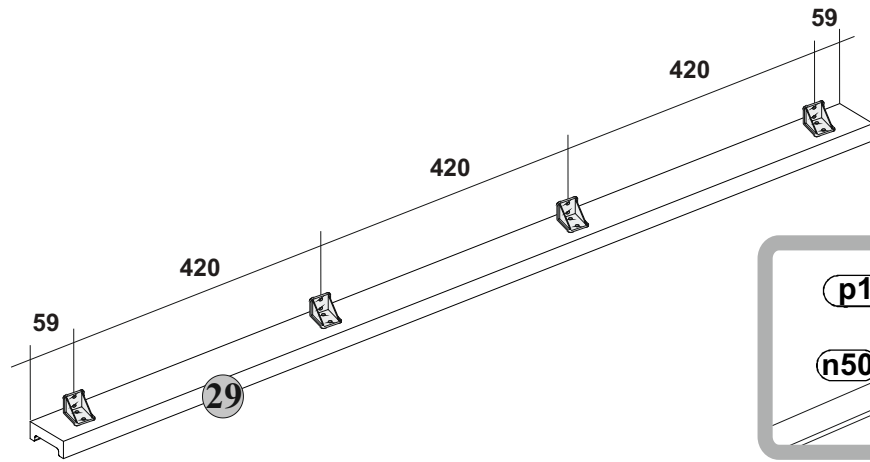
3

3



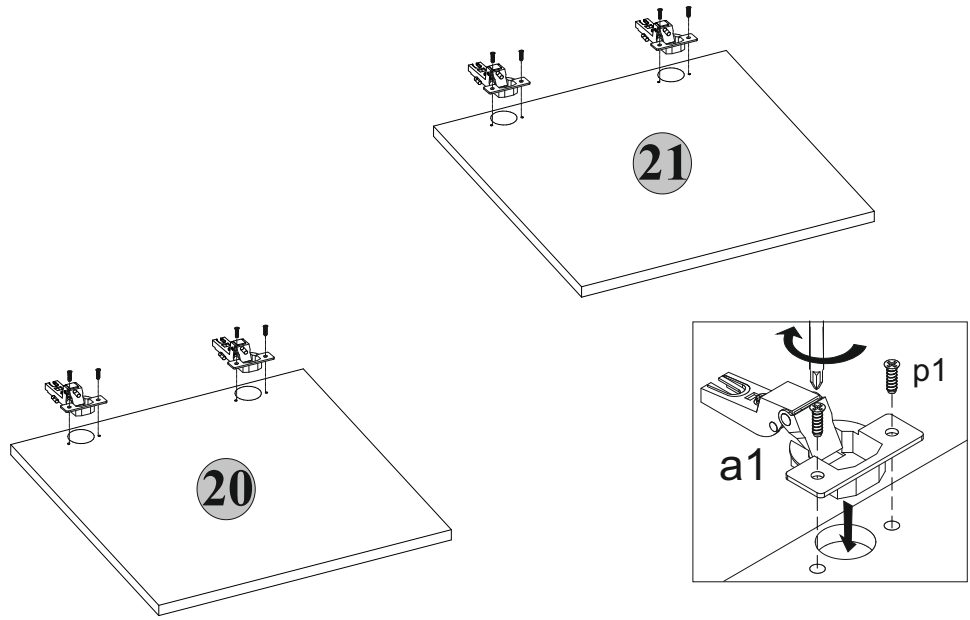
4

4

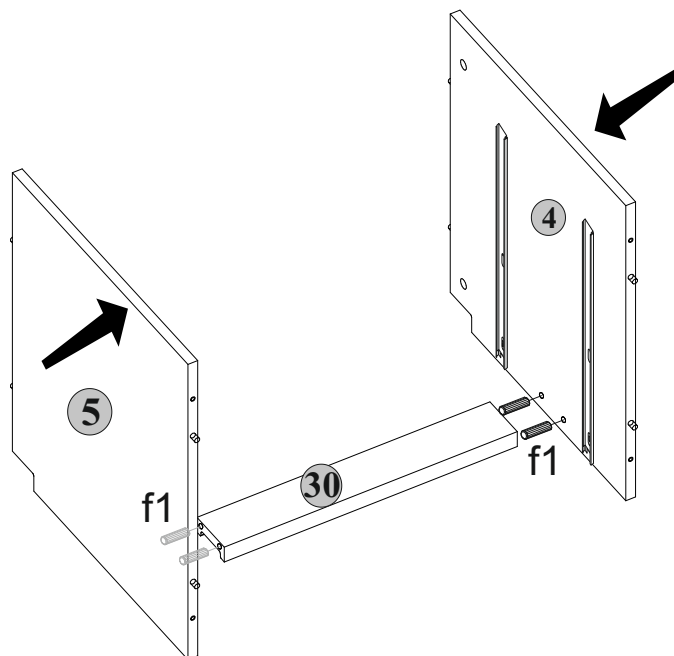


5

5

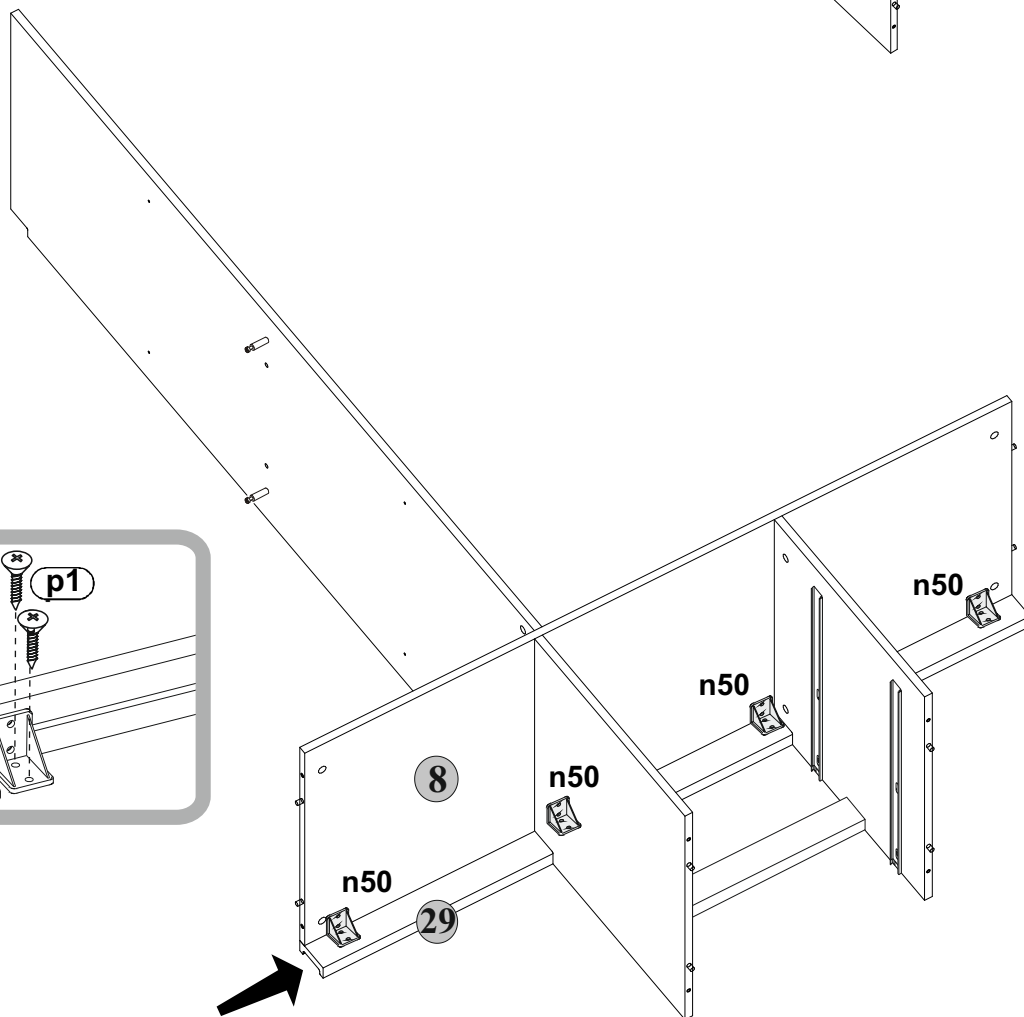
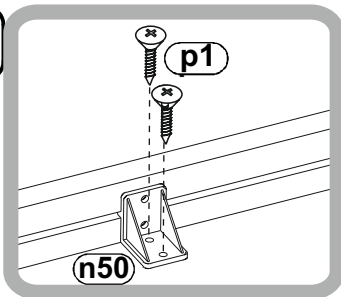
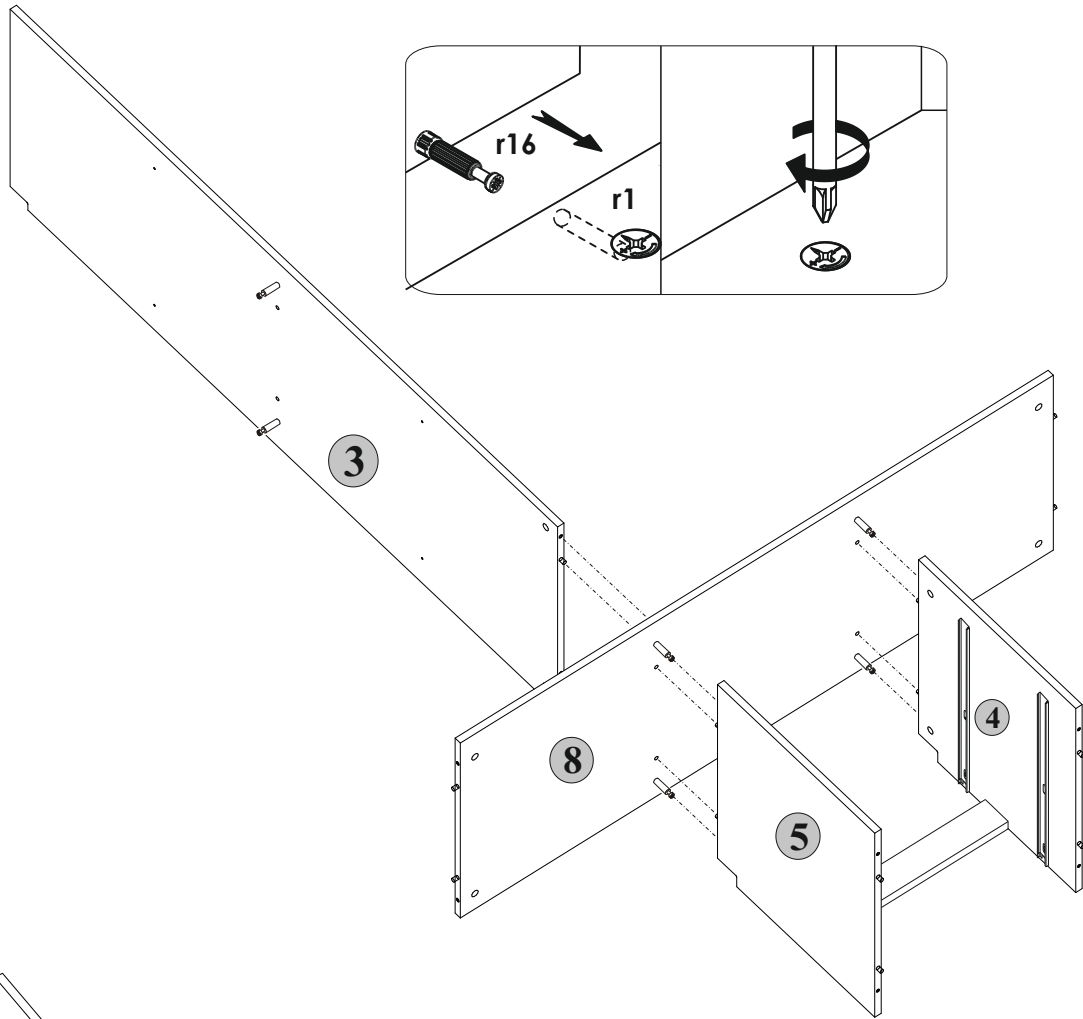
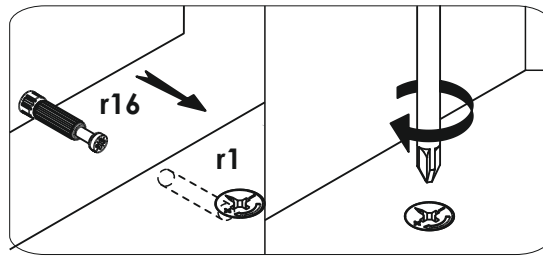


6



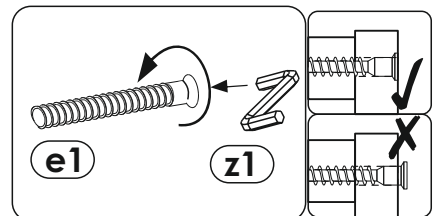
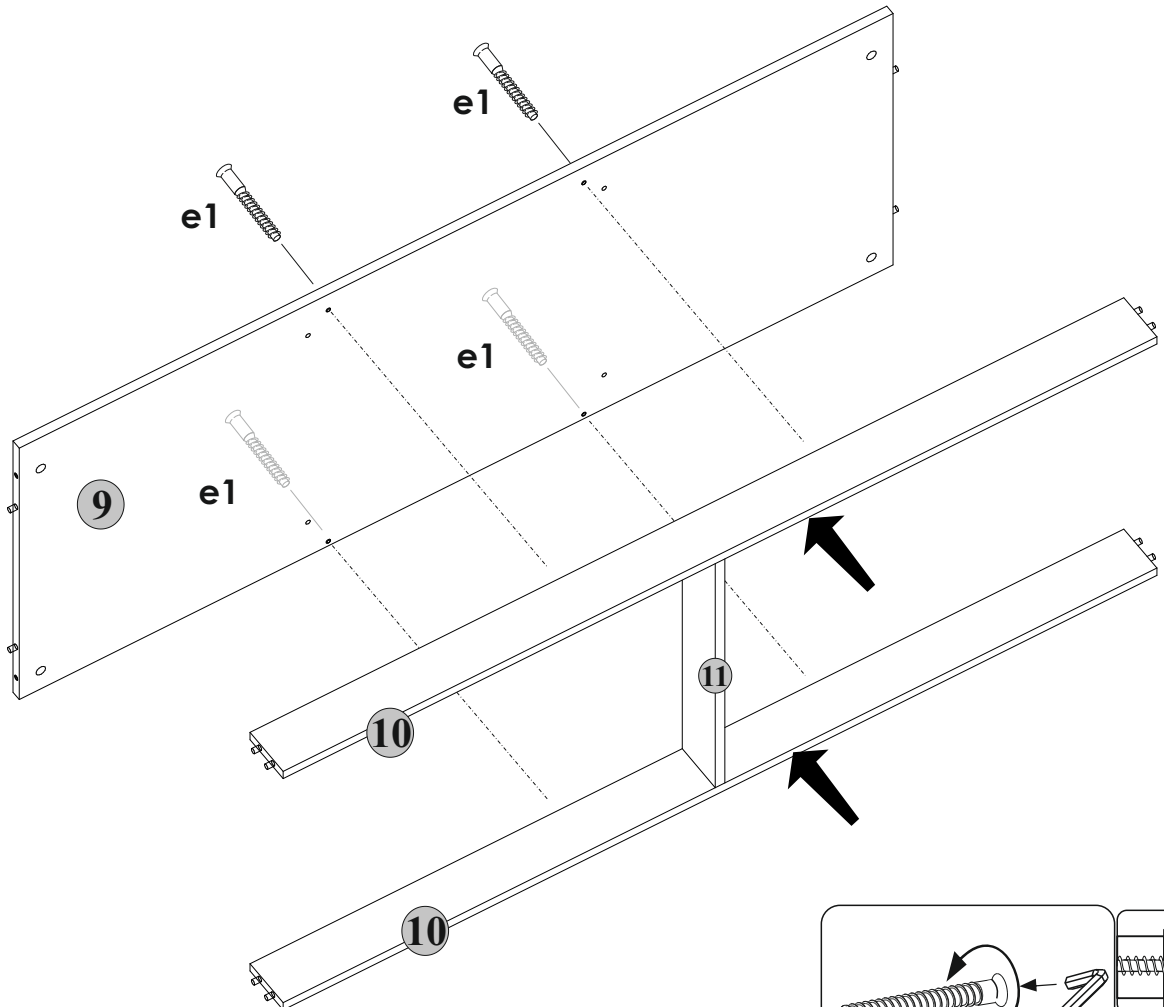
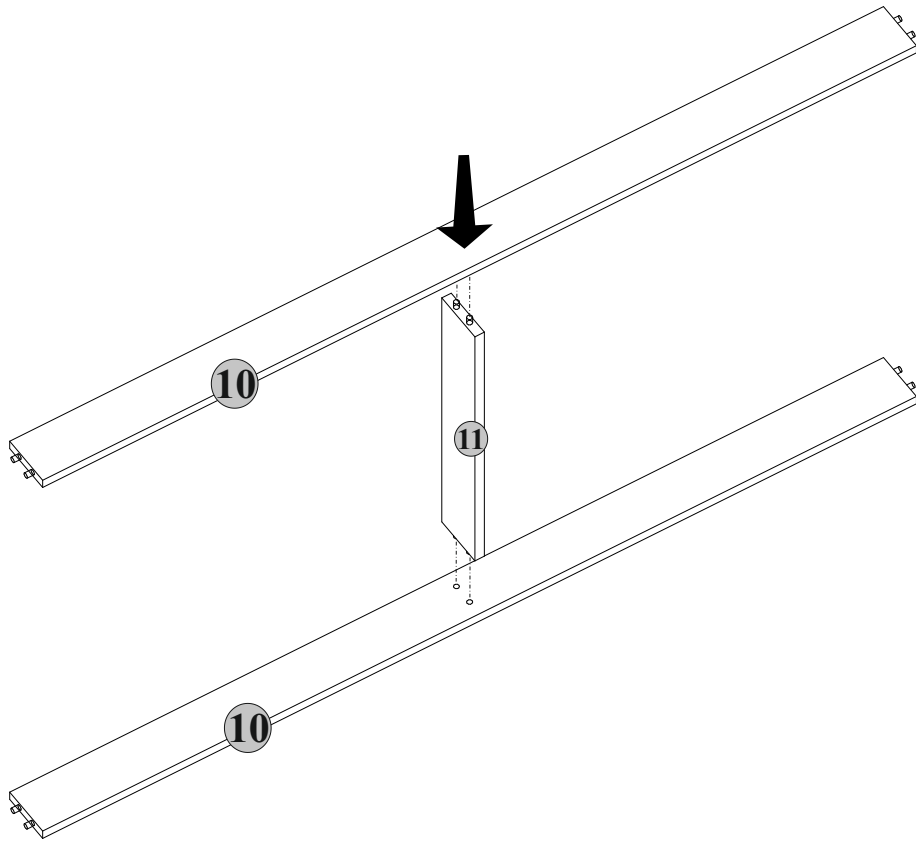
6

7



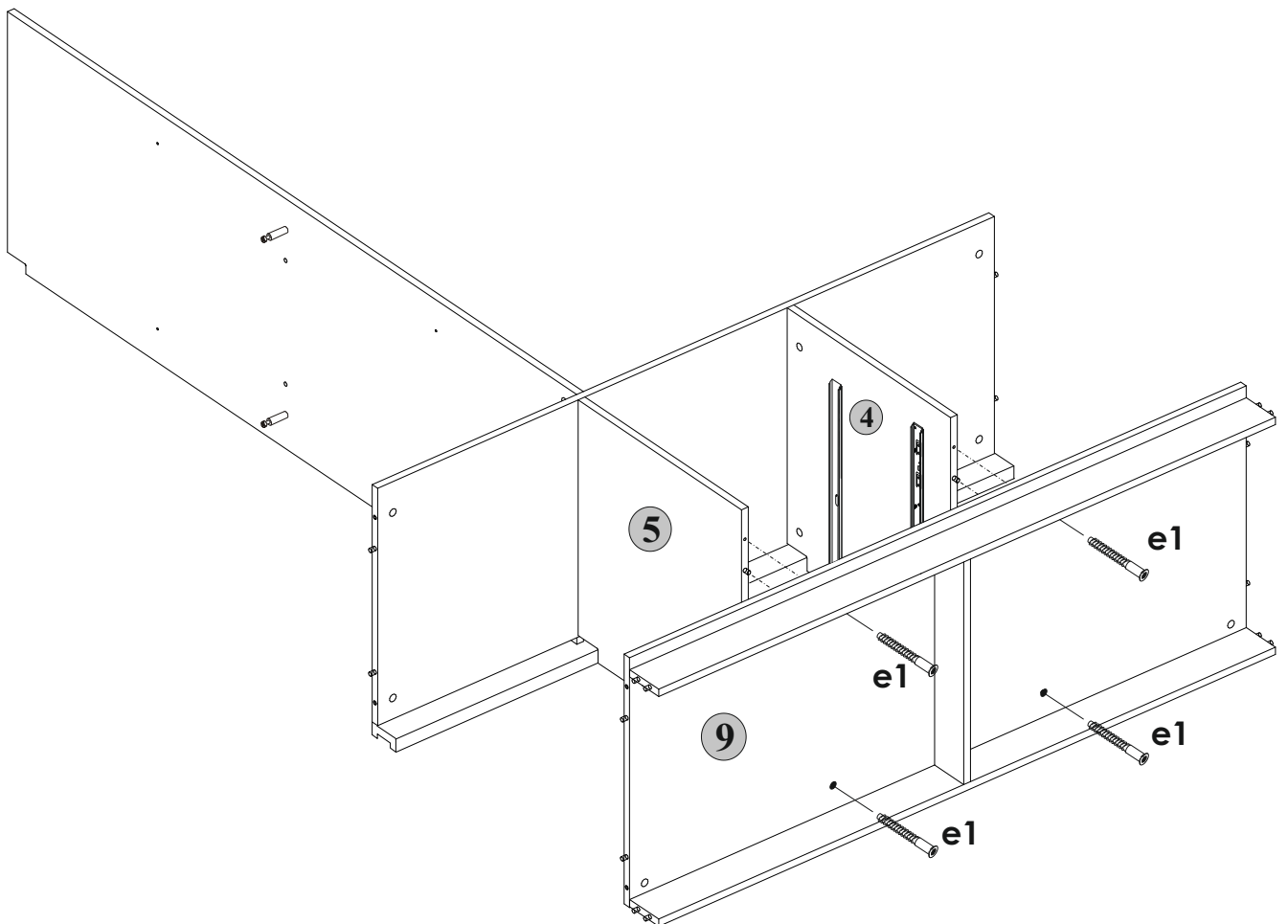
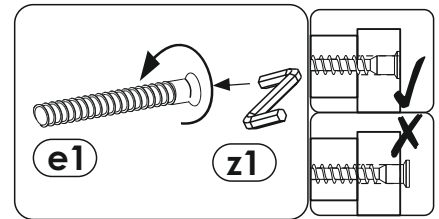
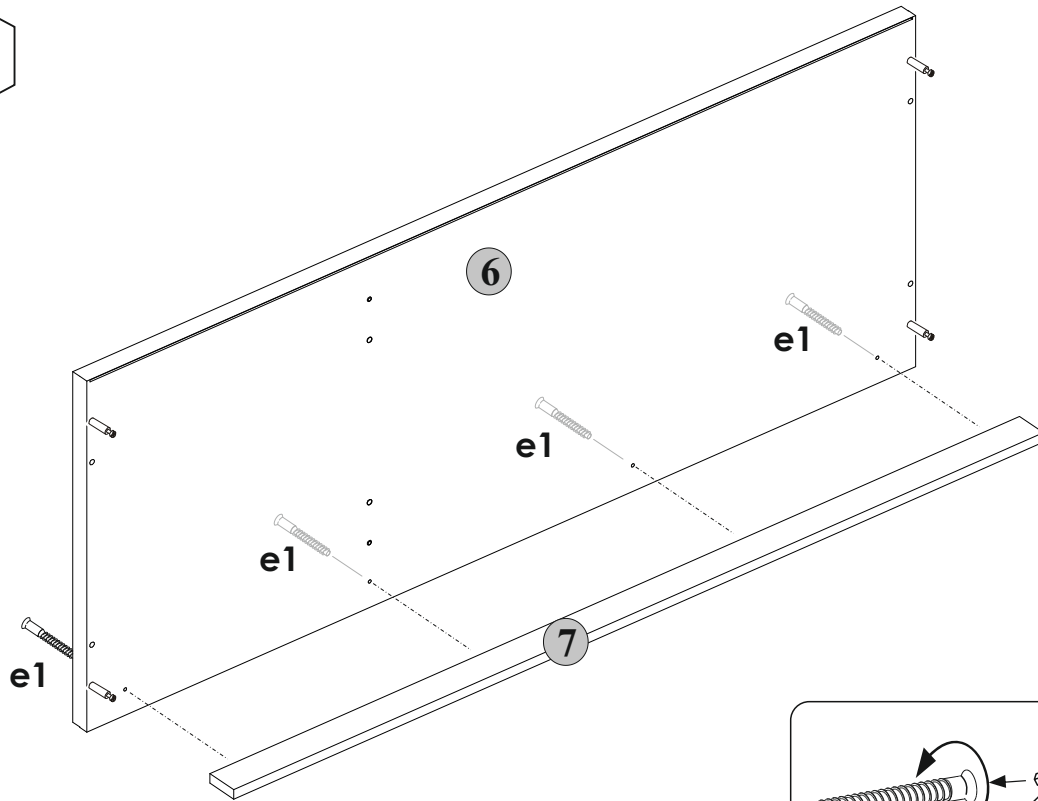
7

8



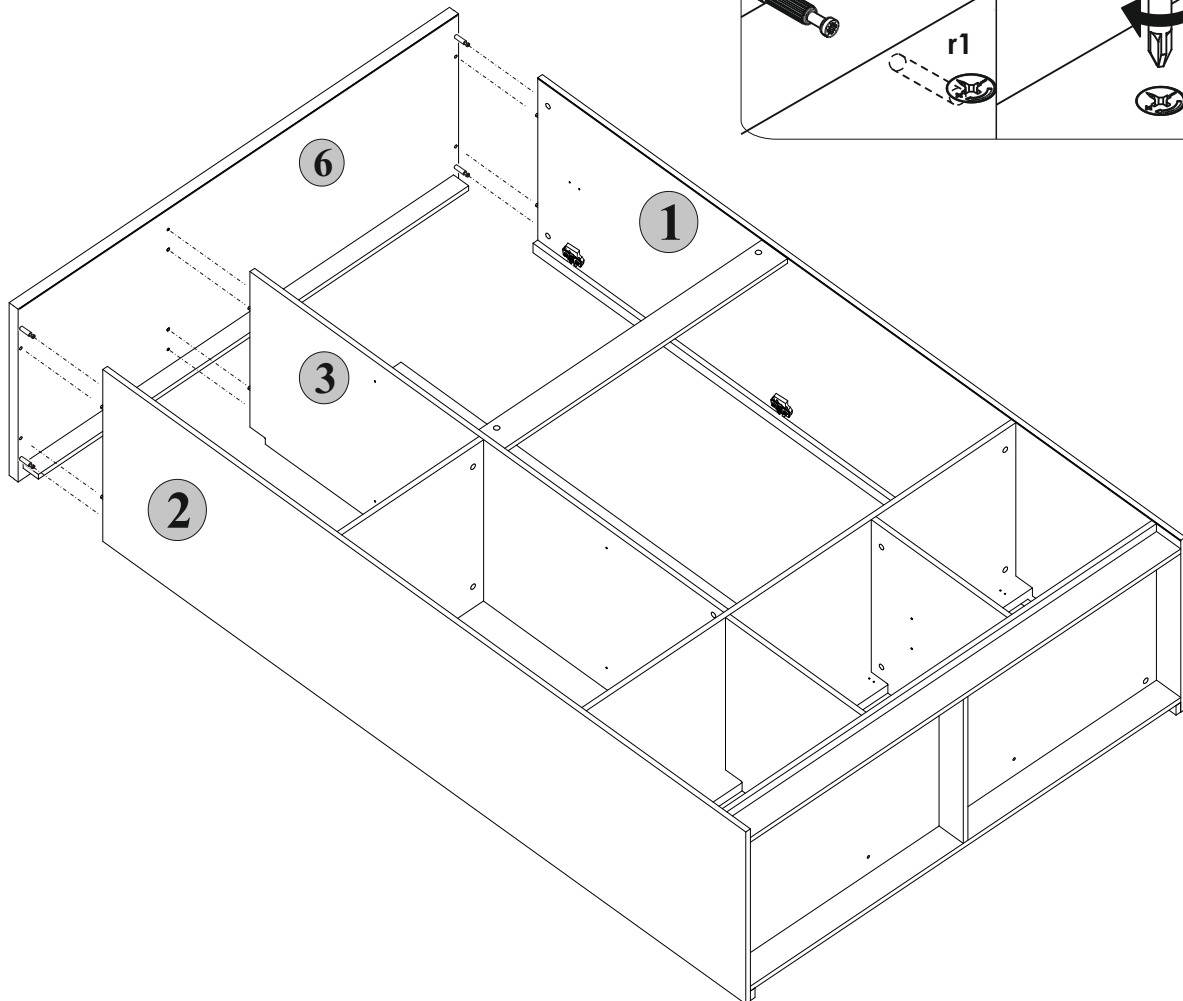
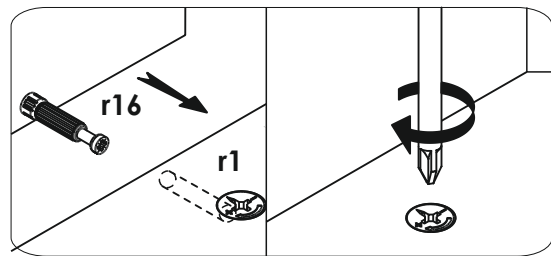
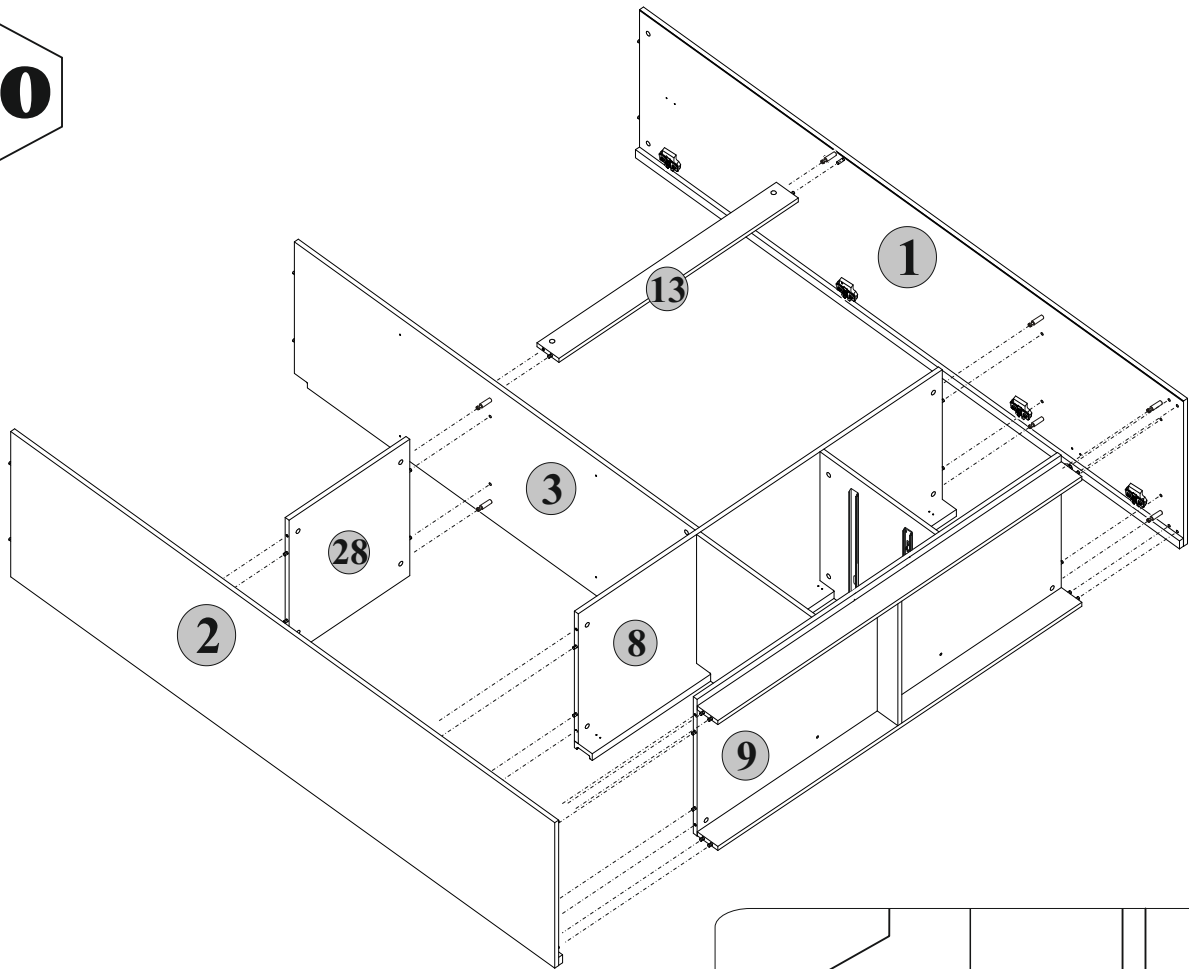
8

9

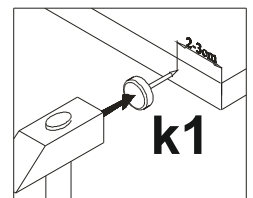
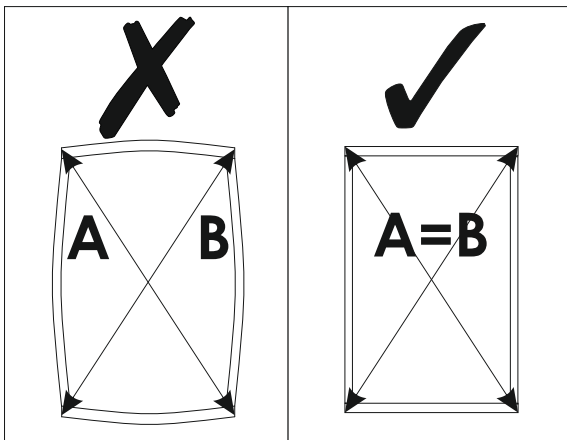
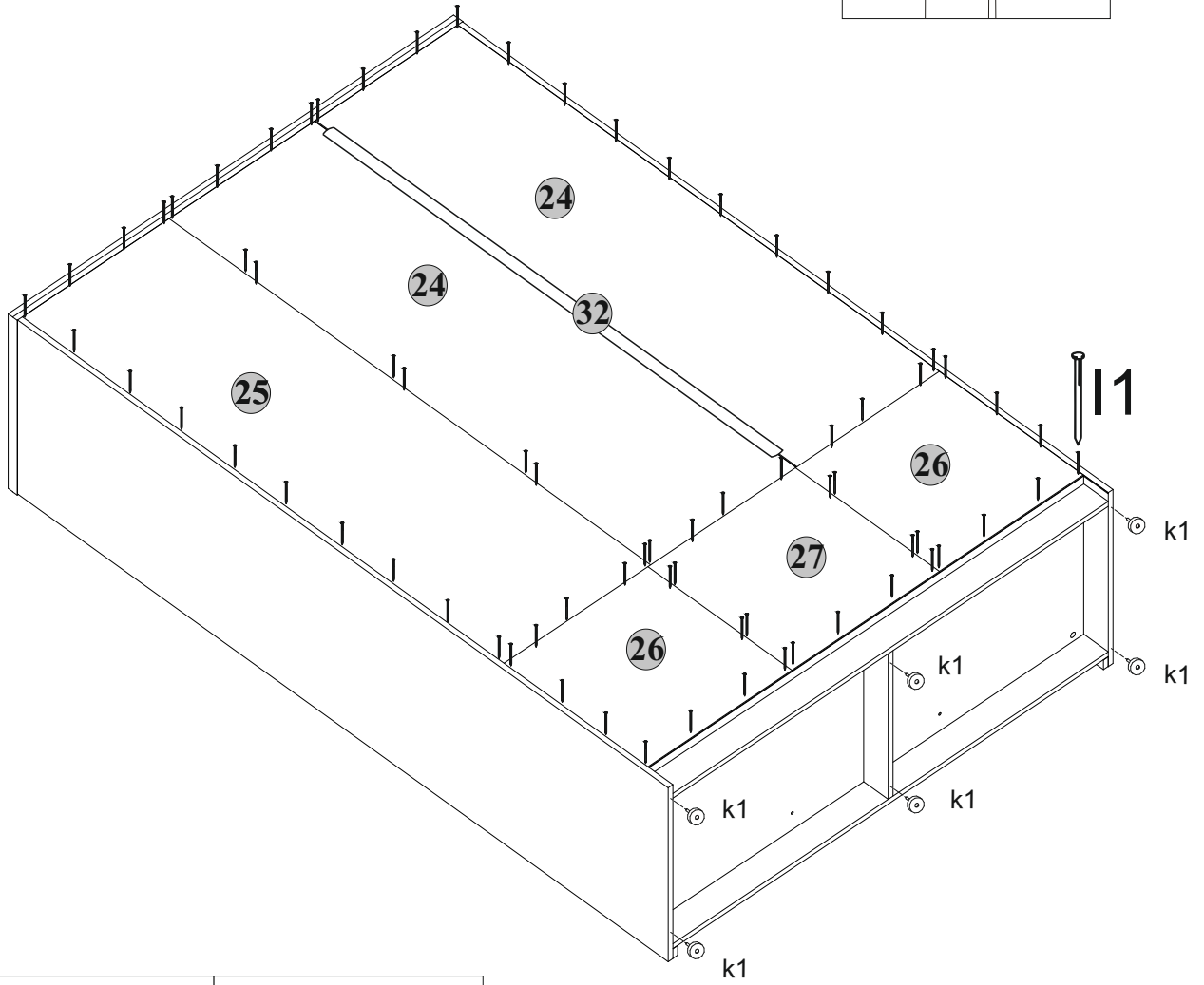
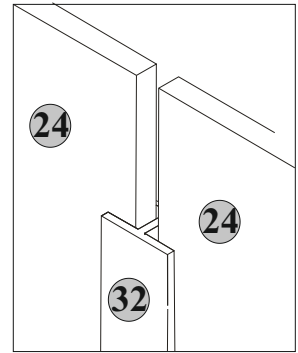


9

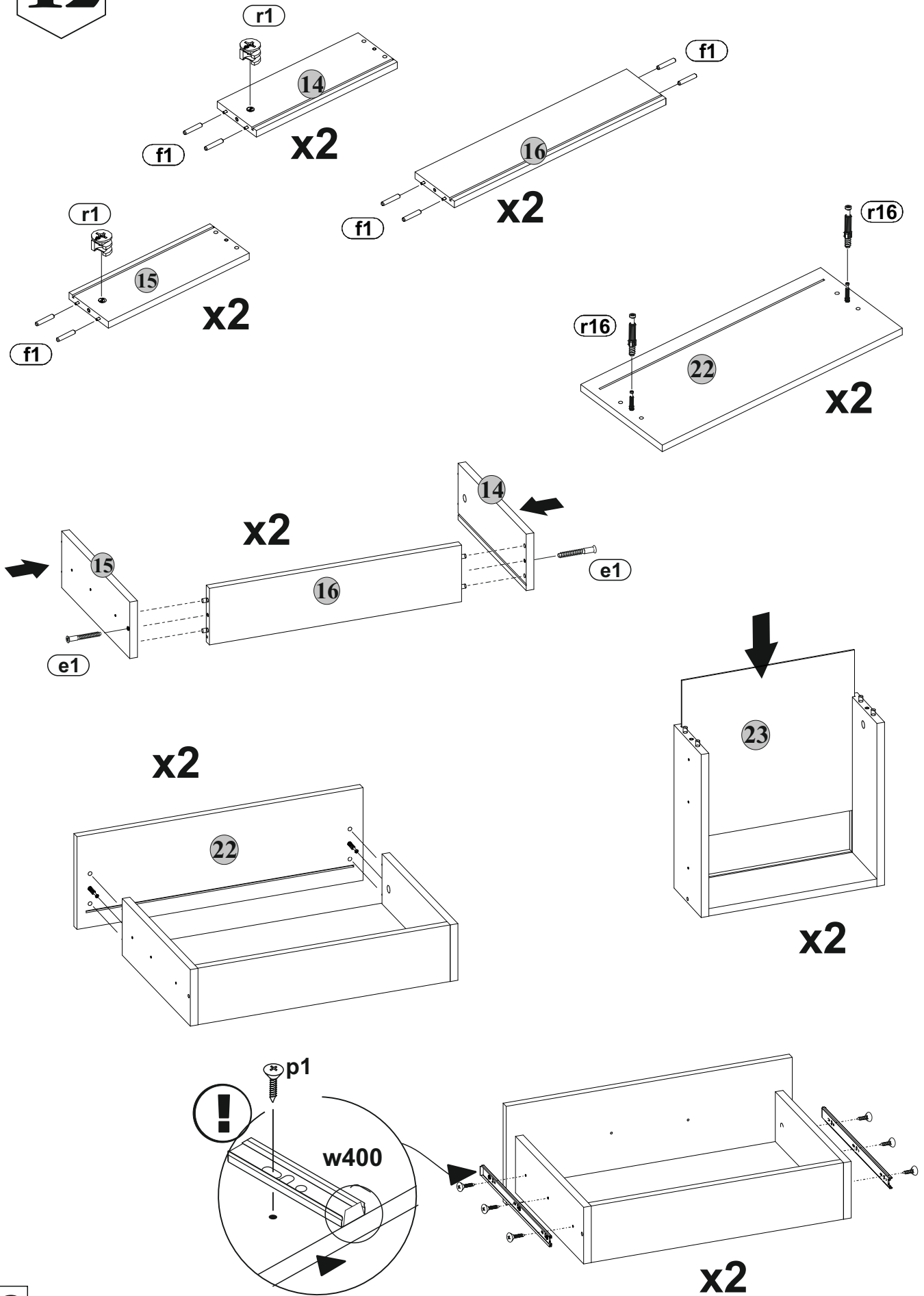
10



10

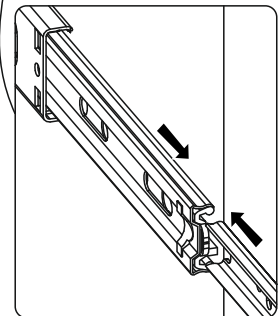
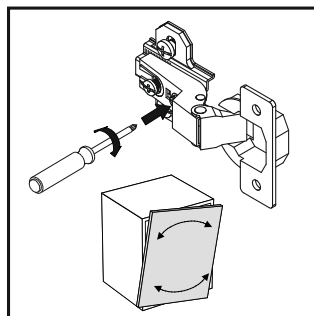
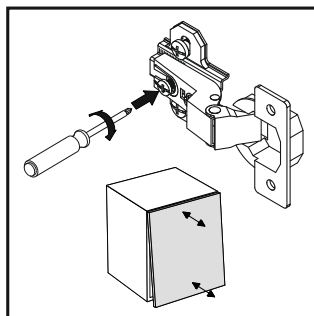
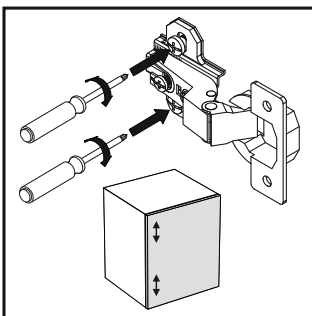
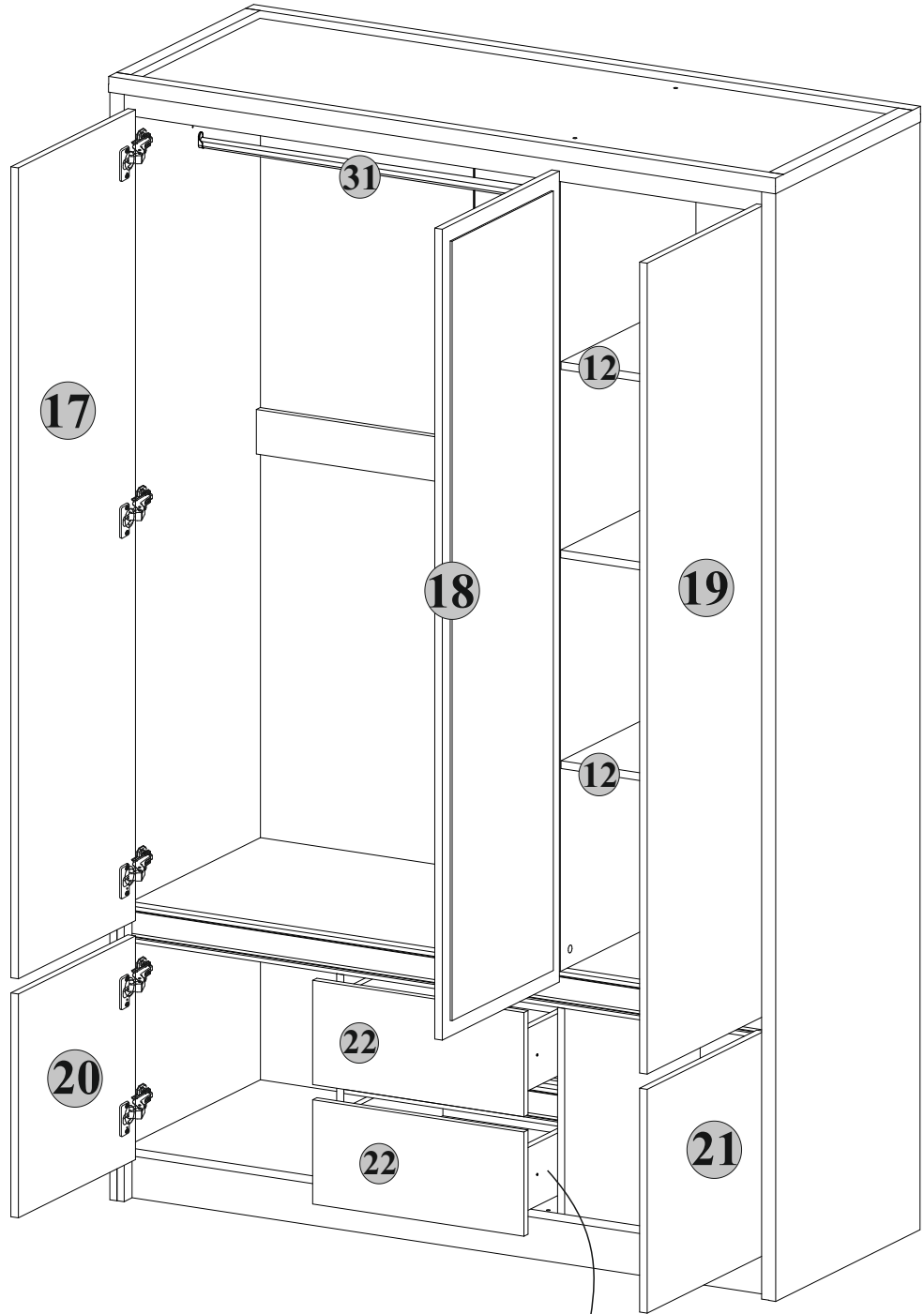
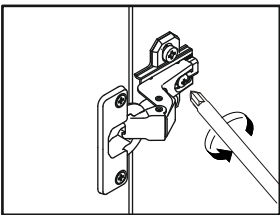
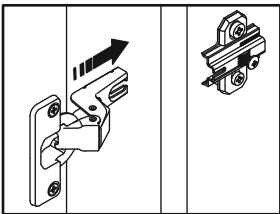
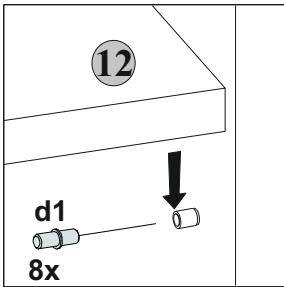
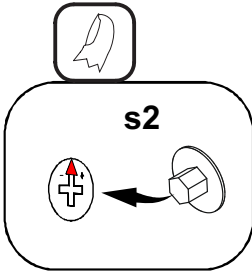
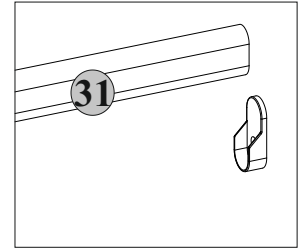
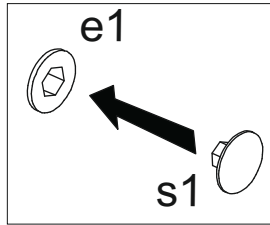


12



12

13



13