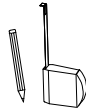
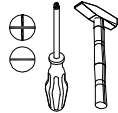
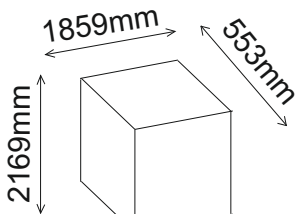
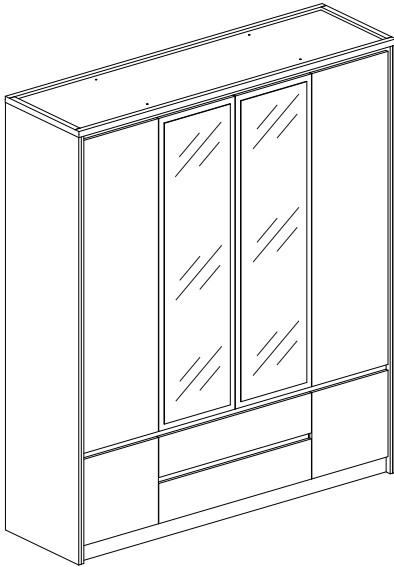
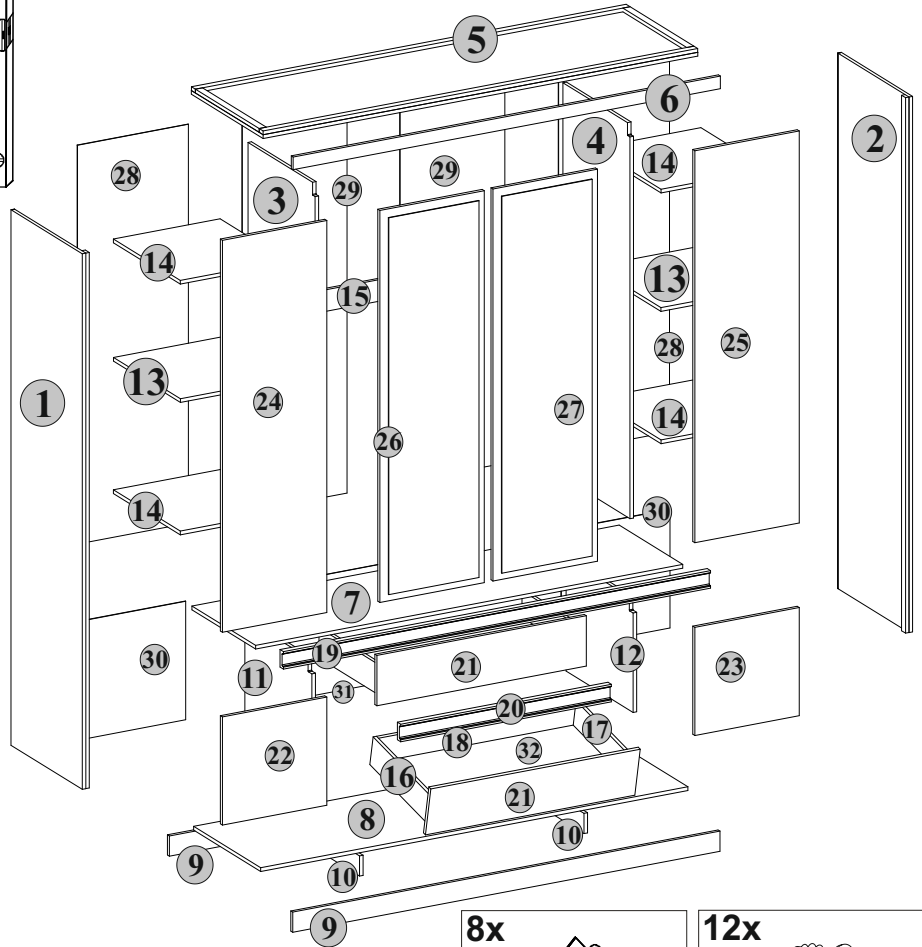


Wardrobe 4D



number	Measurements	Pcs.	number	Measurements	Pcs.	number	Measurements	Pcs.
1	2132x550	1	12	451x517	1	23	430x446	2
2	2132x550	1	13	457x516	2	24	1560x446	1
3	1571x517	1	14	456x516	4	25	1560x446	1
4	1571x517	1	15	883x85	1	26	1560x446	1
5	1859x553	1	16	450x120	2	27	1560x446	1
6	1827x50	1	17	450x120	2	28	1588x474	2
7	1827x491	1	18	845x120	2	29	1588x448	2
8	1827x517	1	19	1827x70	1	30	472x465	2
9	1827x80	1	20	901x70	1	31	472x916	1
10	461x80	2	21	895x200	2	32	855x445	1
11	451x517	1	22	430x446	1	33	880x	1
						34	1520x	1



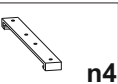
Option

4x



n12

4x



n4

10x



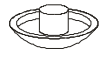
a43

10x



b3

20x



s1

10x



b8

8x



k1

5x



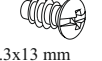
n50

8x



l2

12x



φ6.3x13 mm e2

20x



7x50 e1

16x



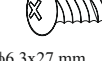
φ5x17 mm d1

2x



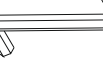
n302

20x



φ6.3x27 mm e23

6x



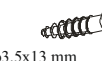
a1

6x



b1

88x



φ3.5x13 mm p1

74x



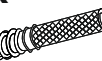
φ8x30 mm f1

34x



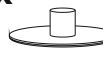
φ15 #16 r1

34x



r16

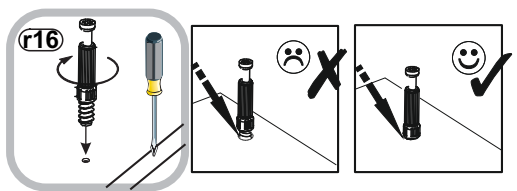
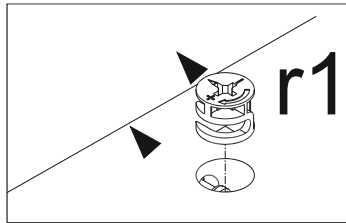
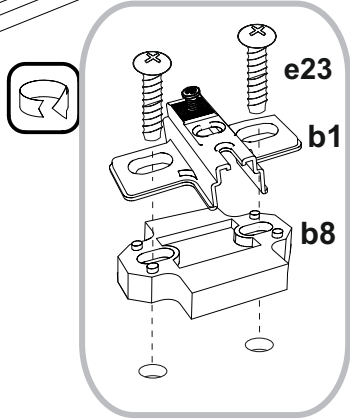
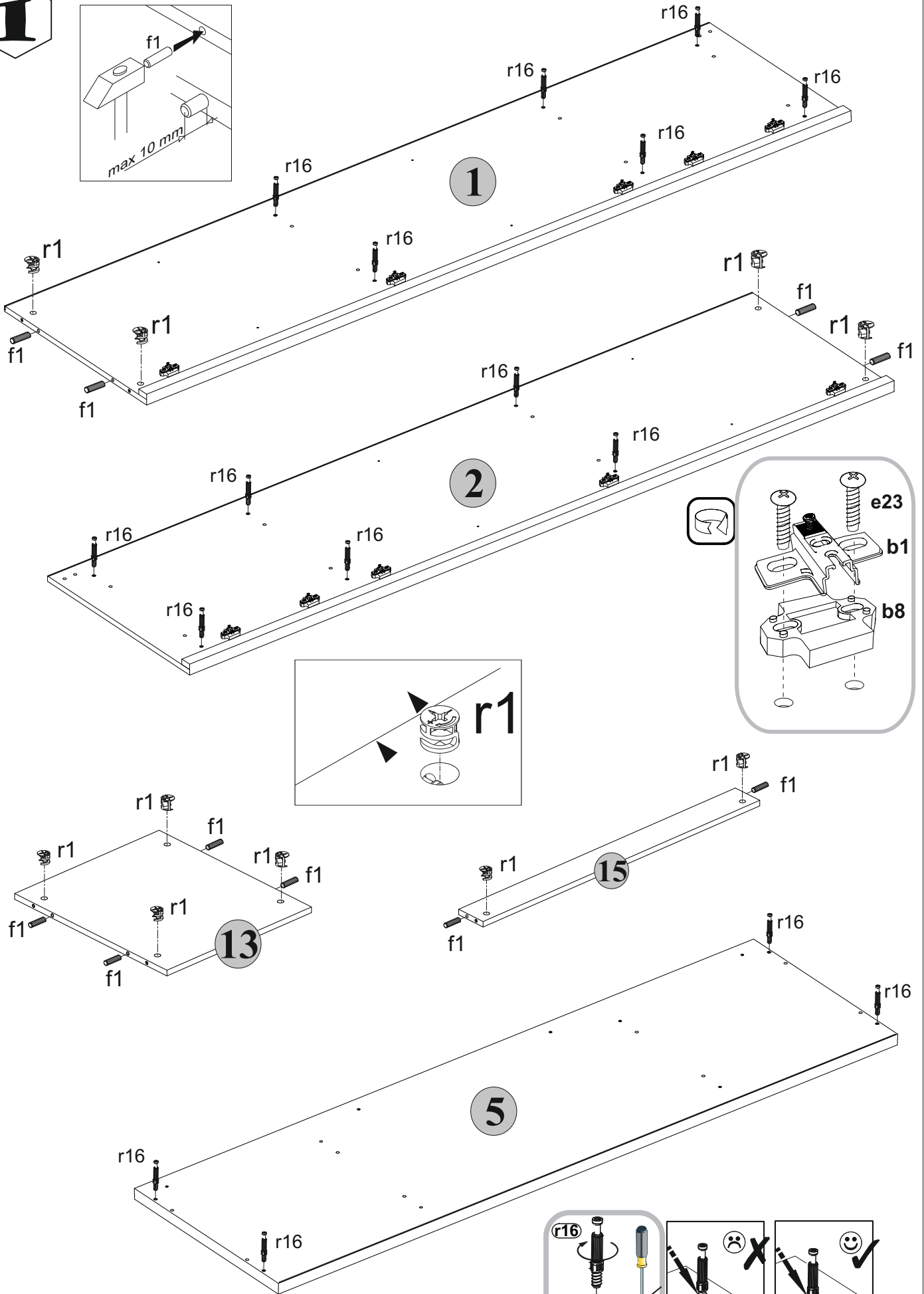
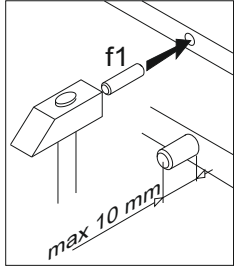
34x



s2

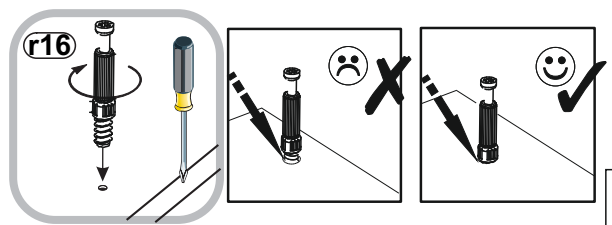
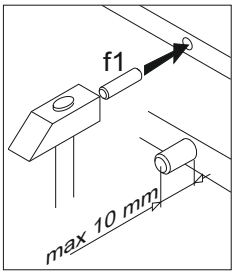
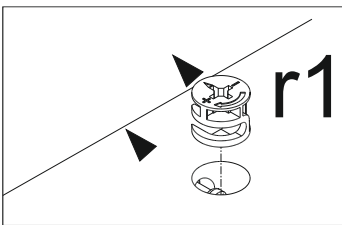
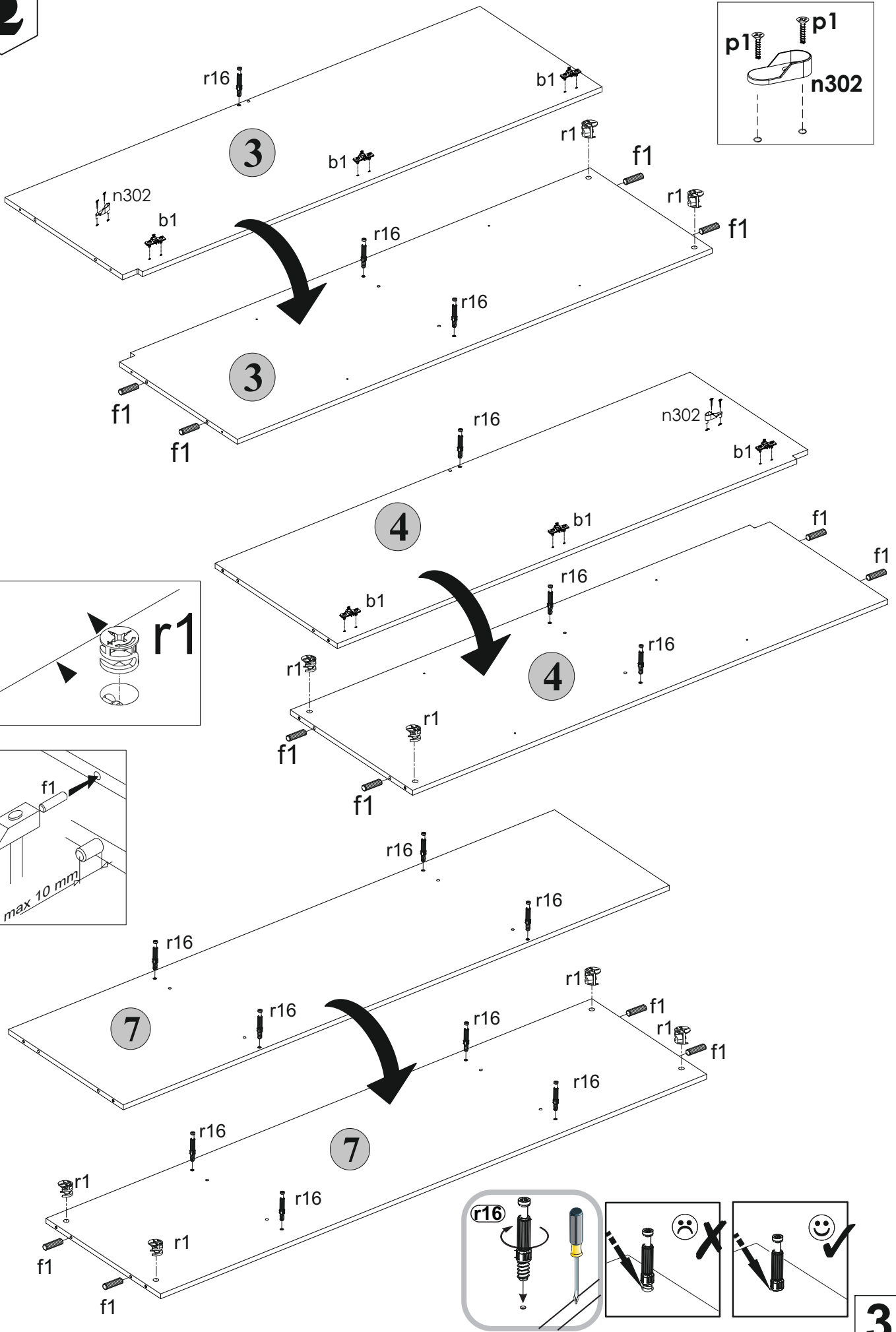
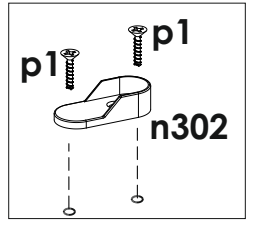
1

I



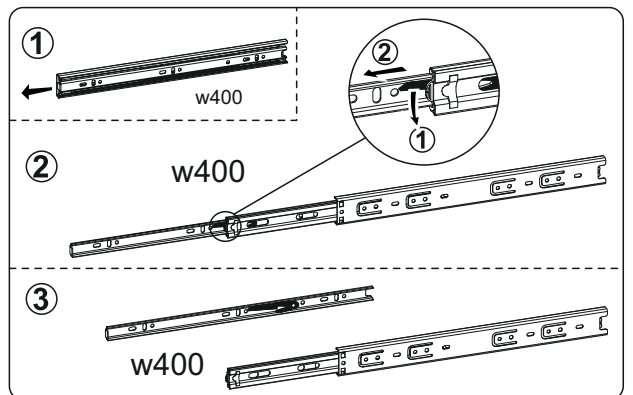
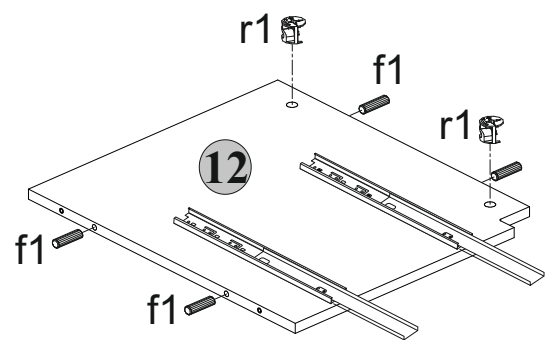
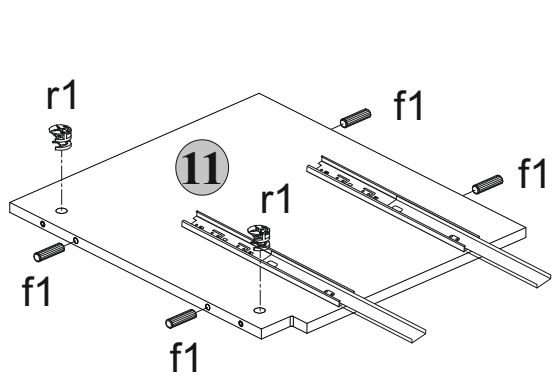
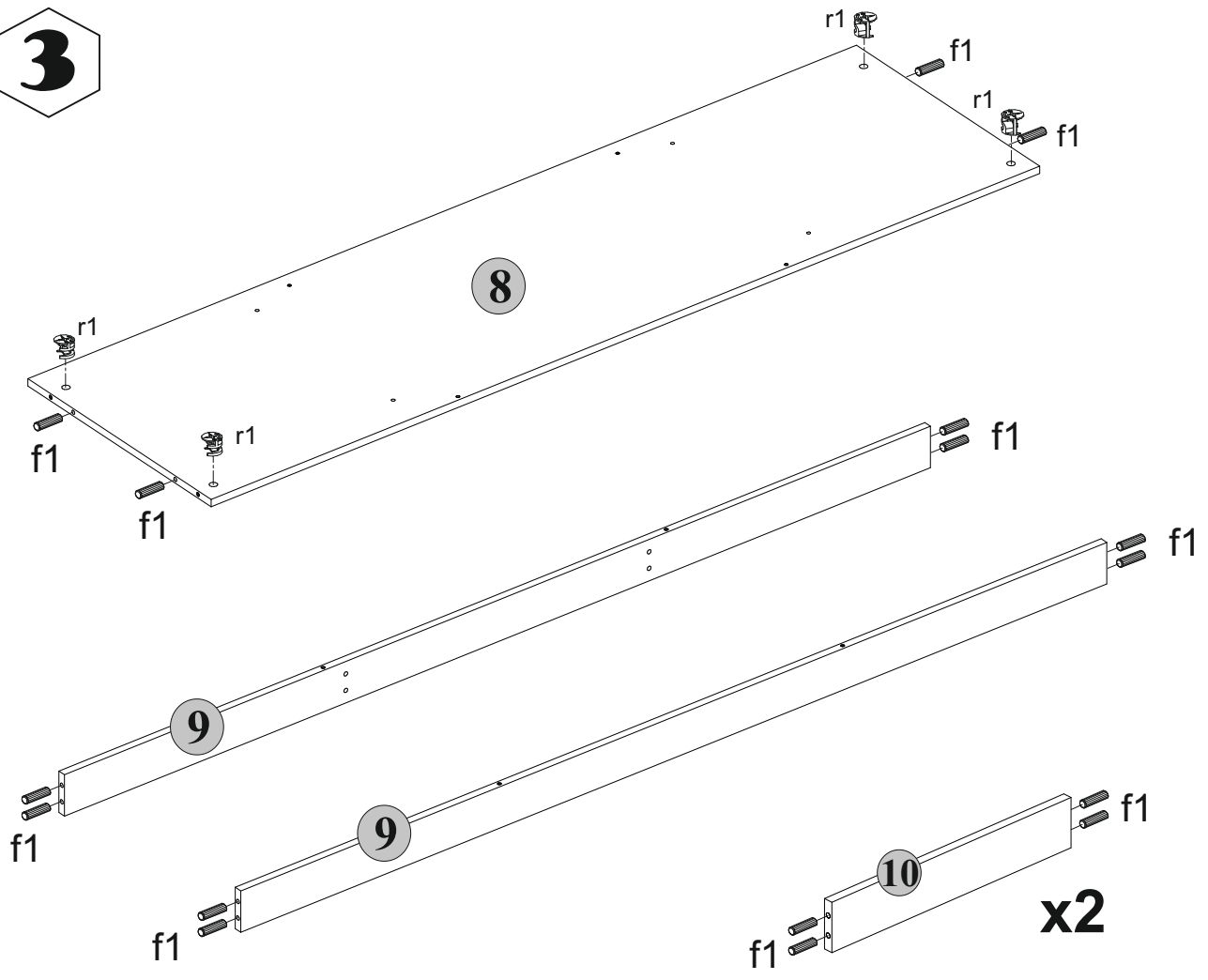
2

2



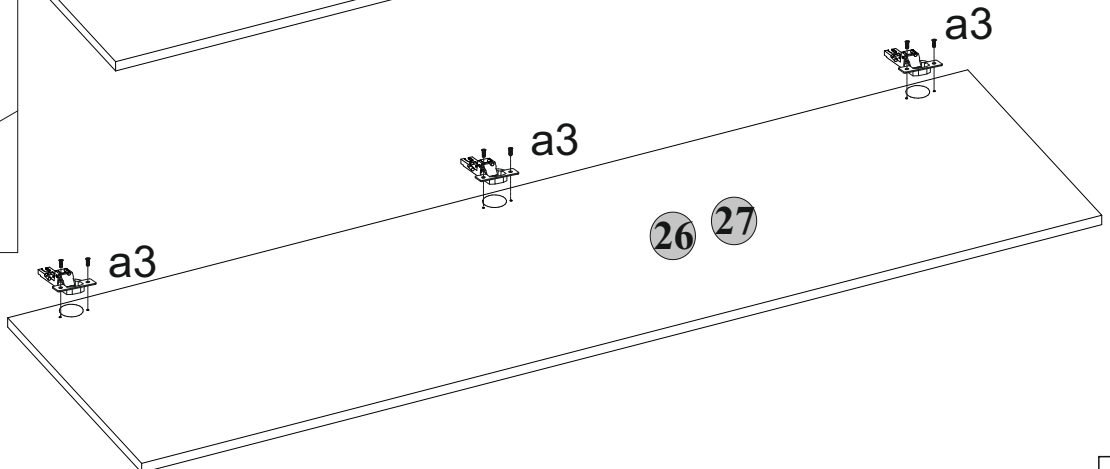
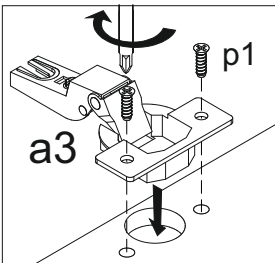
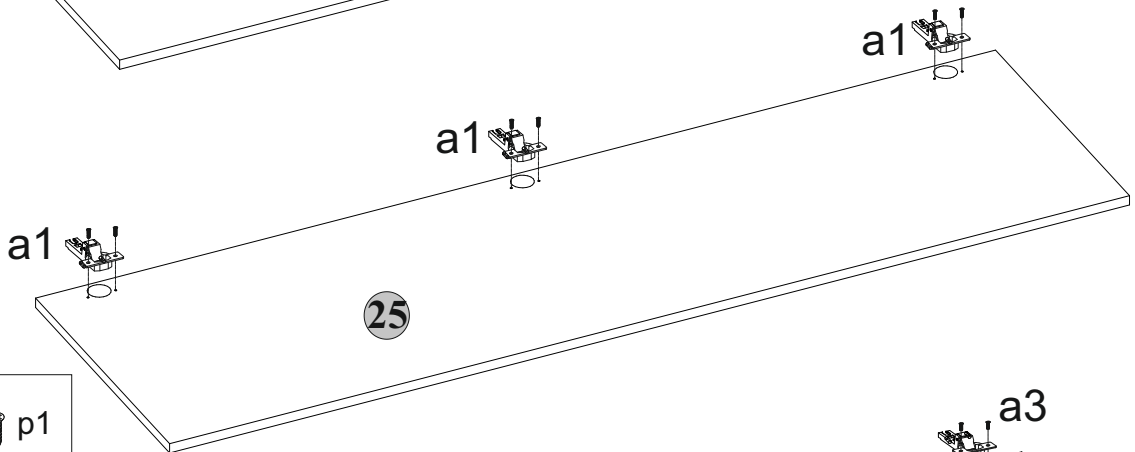
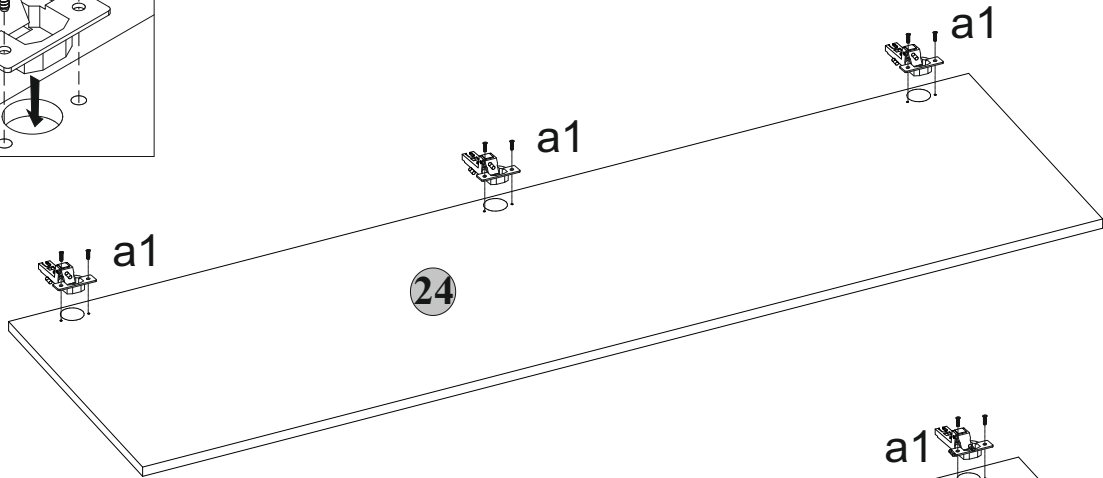
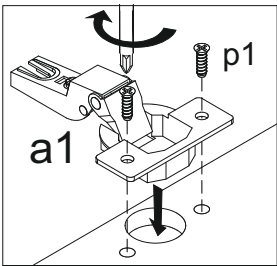
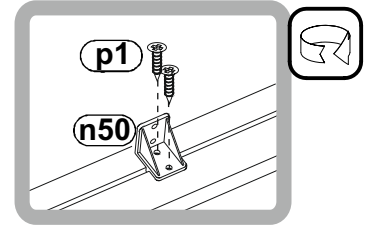
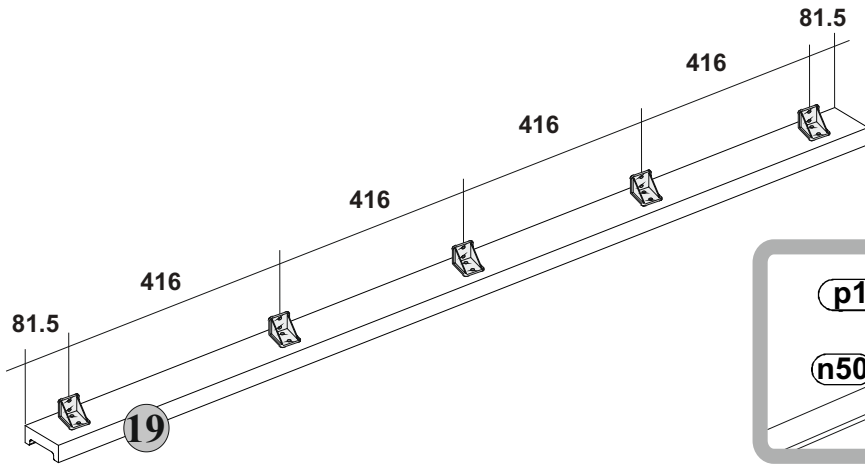
3

3



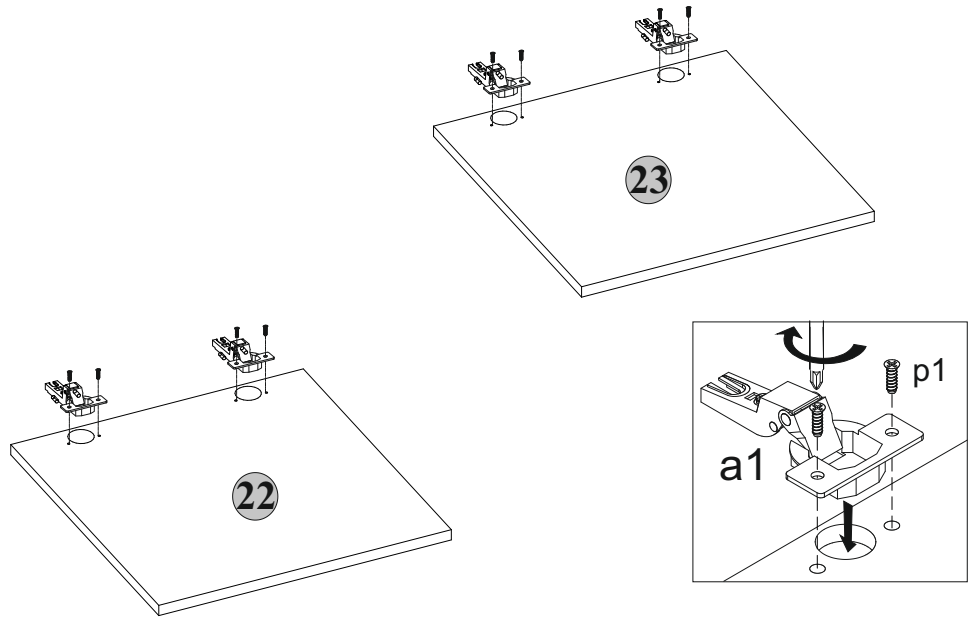
4

4

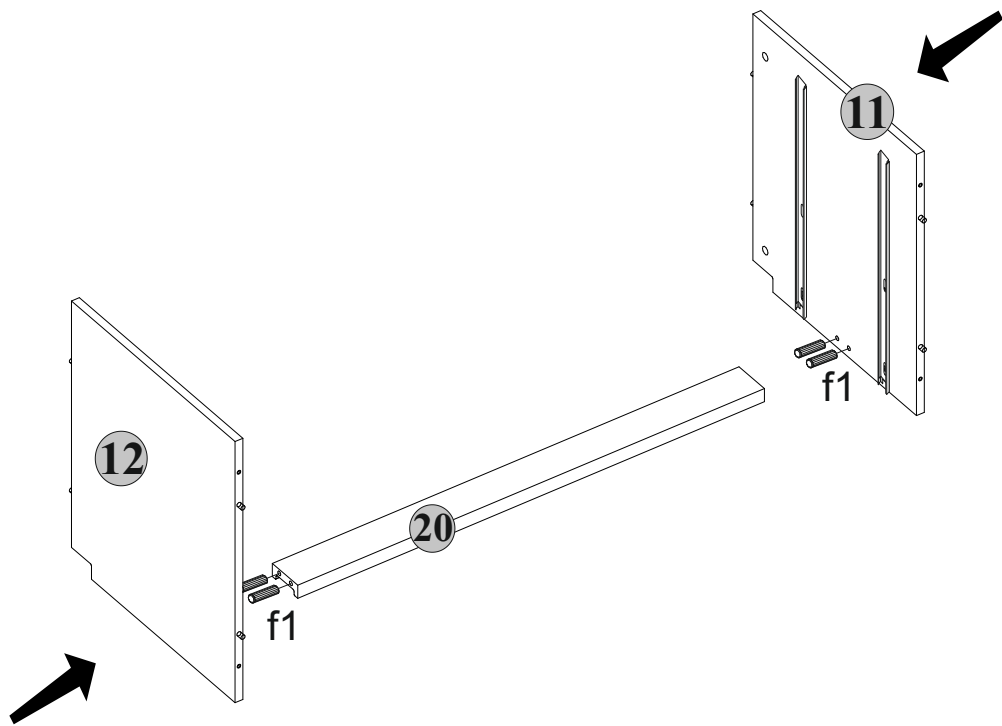


5

5

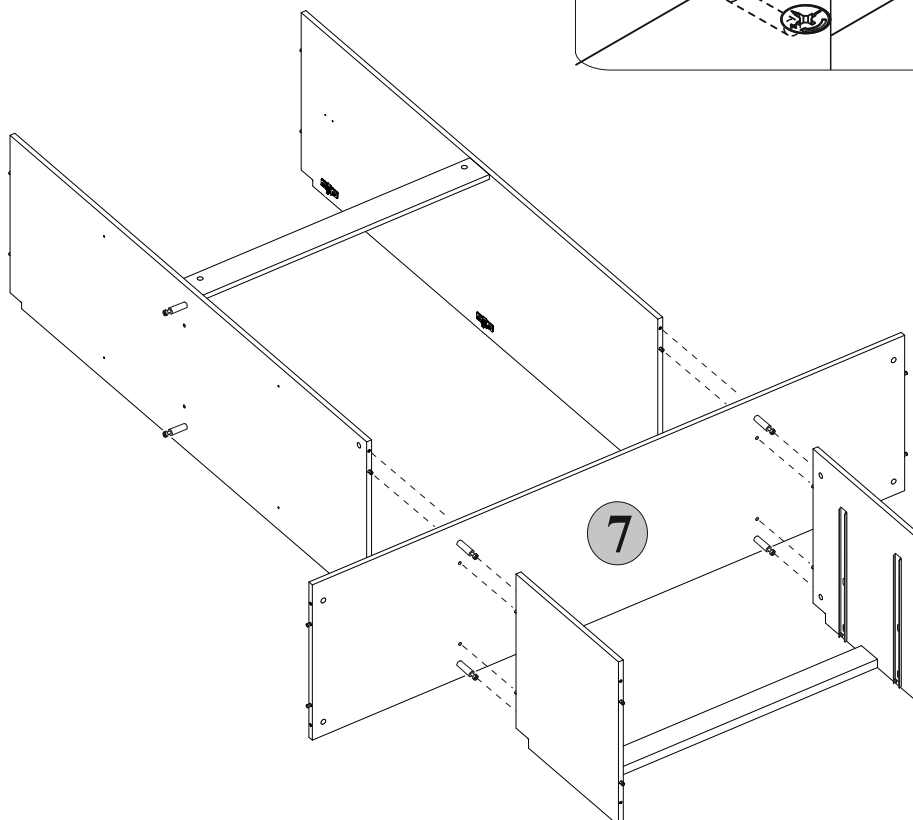
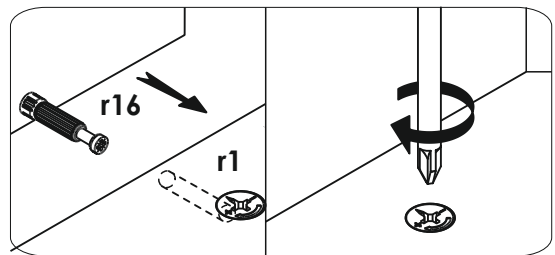
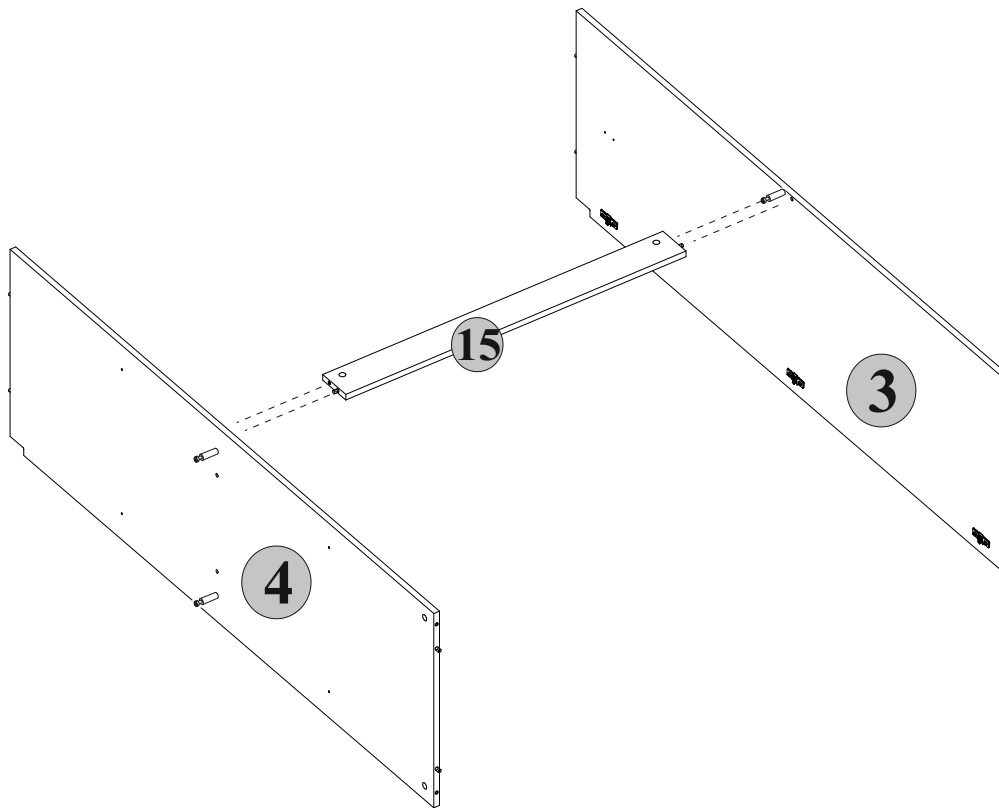


6



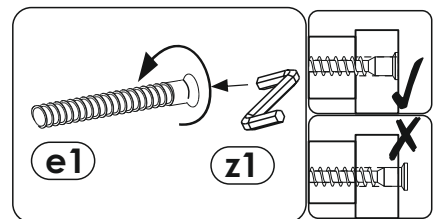
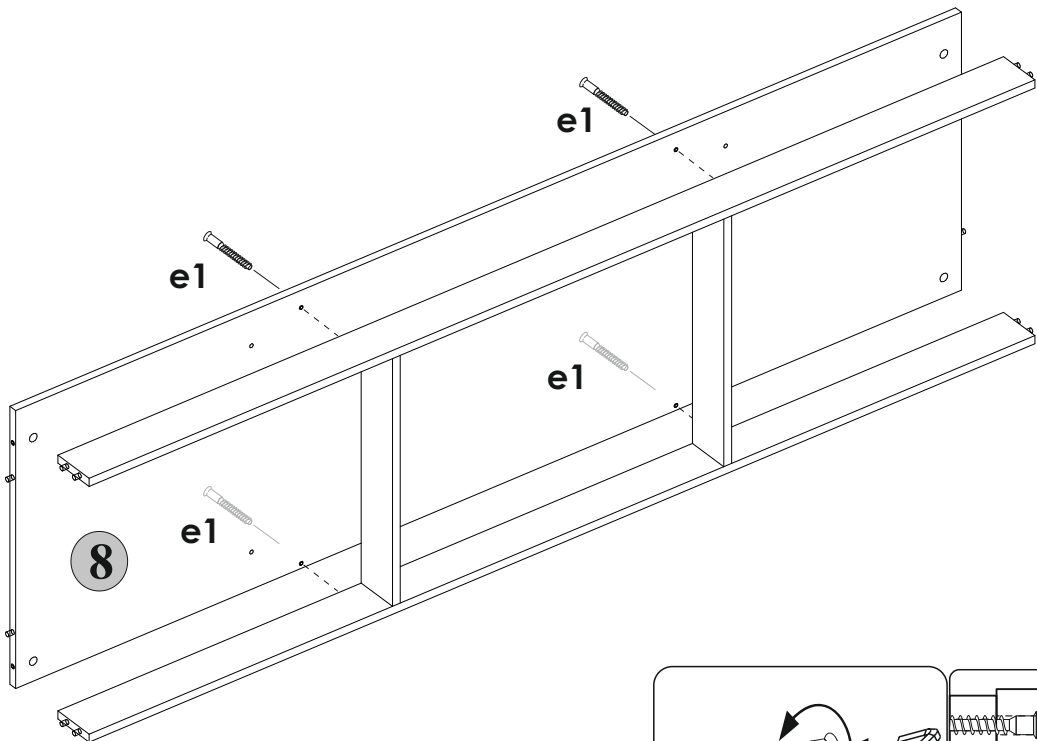
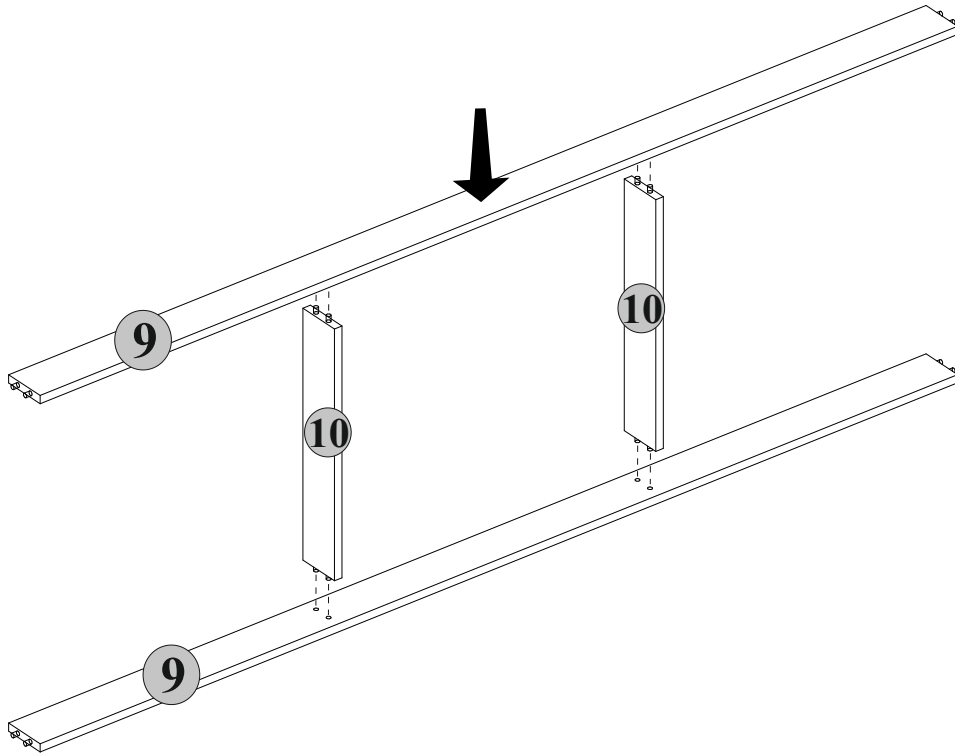
6

7



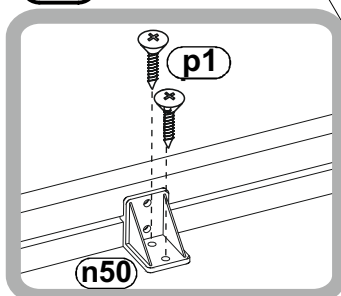
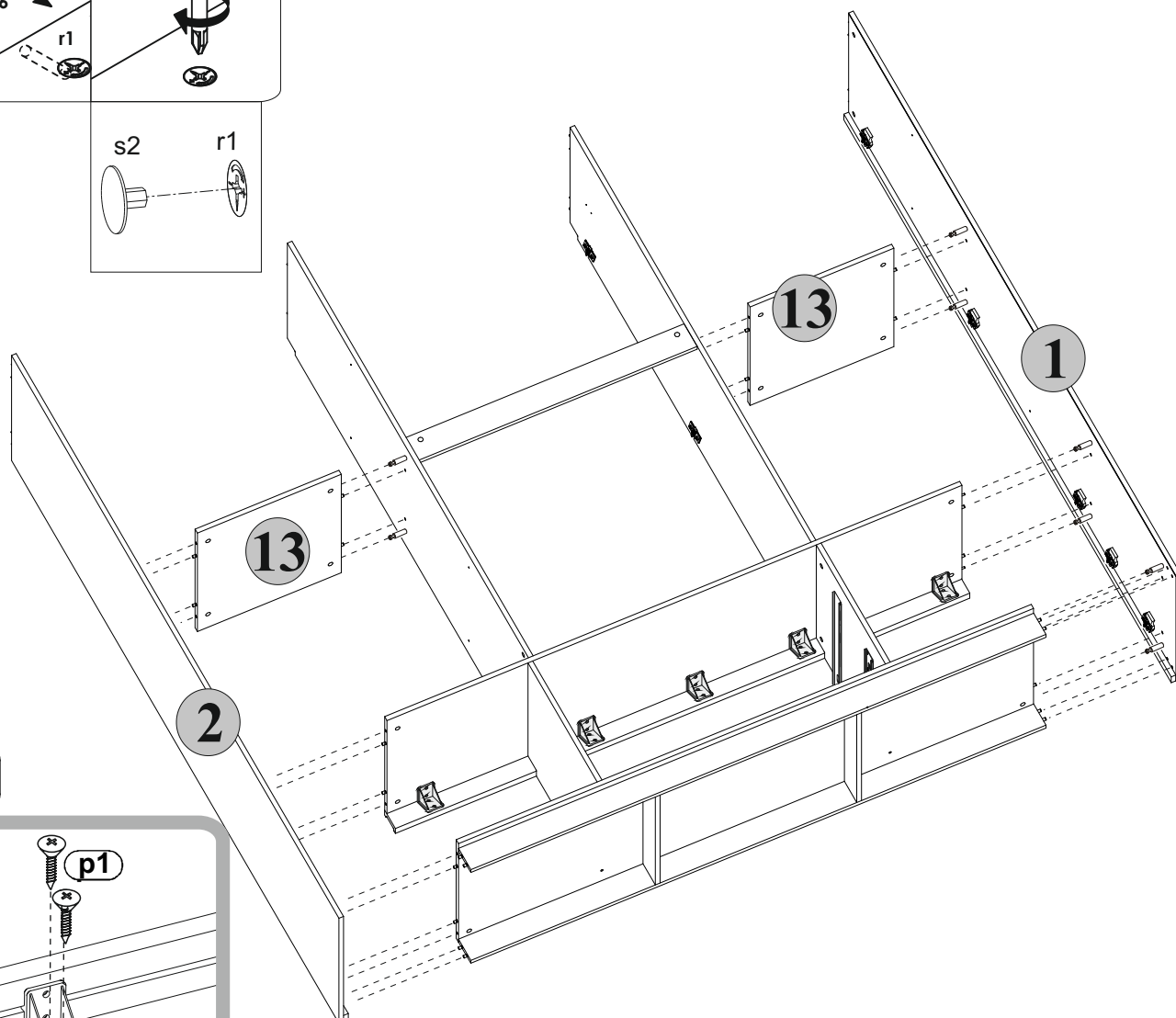
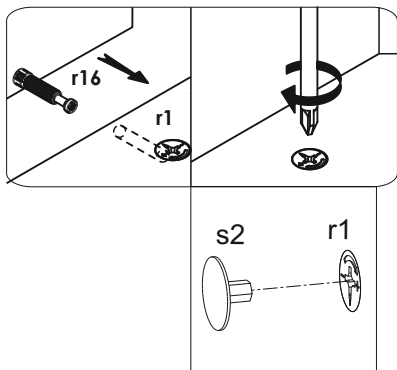
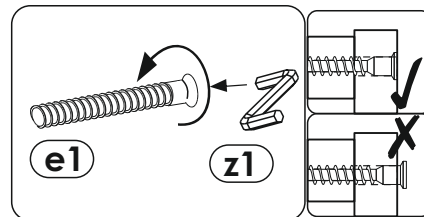
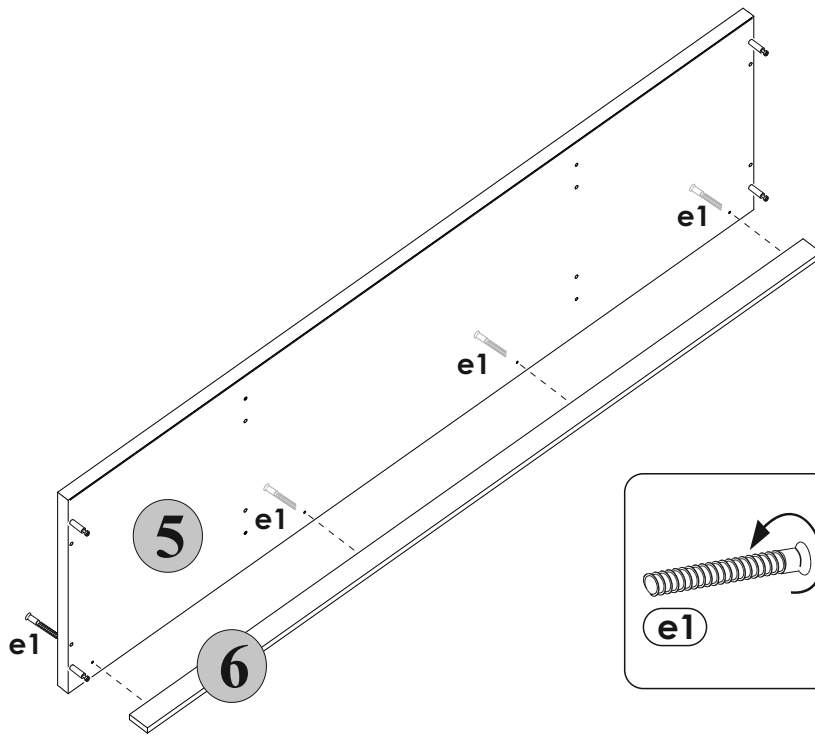
7

8



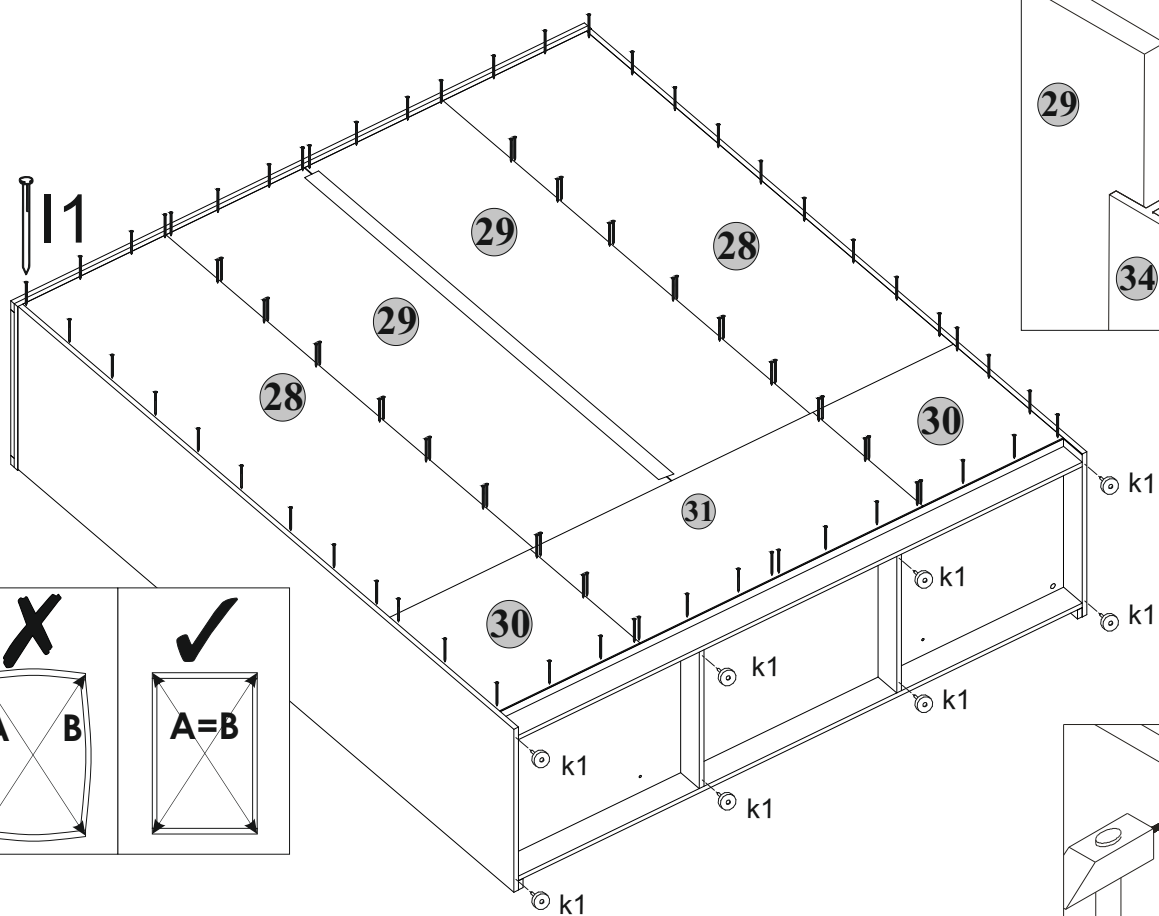
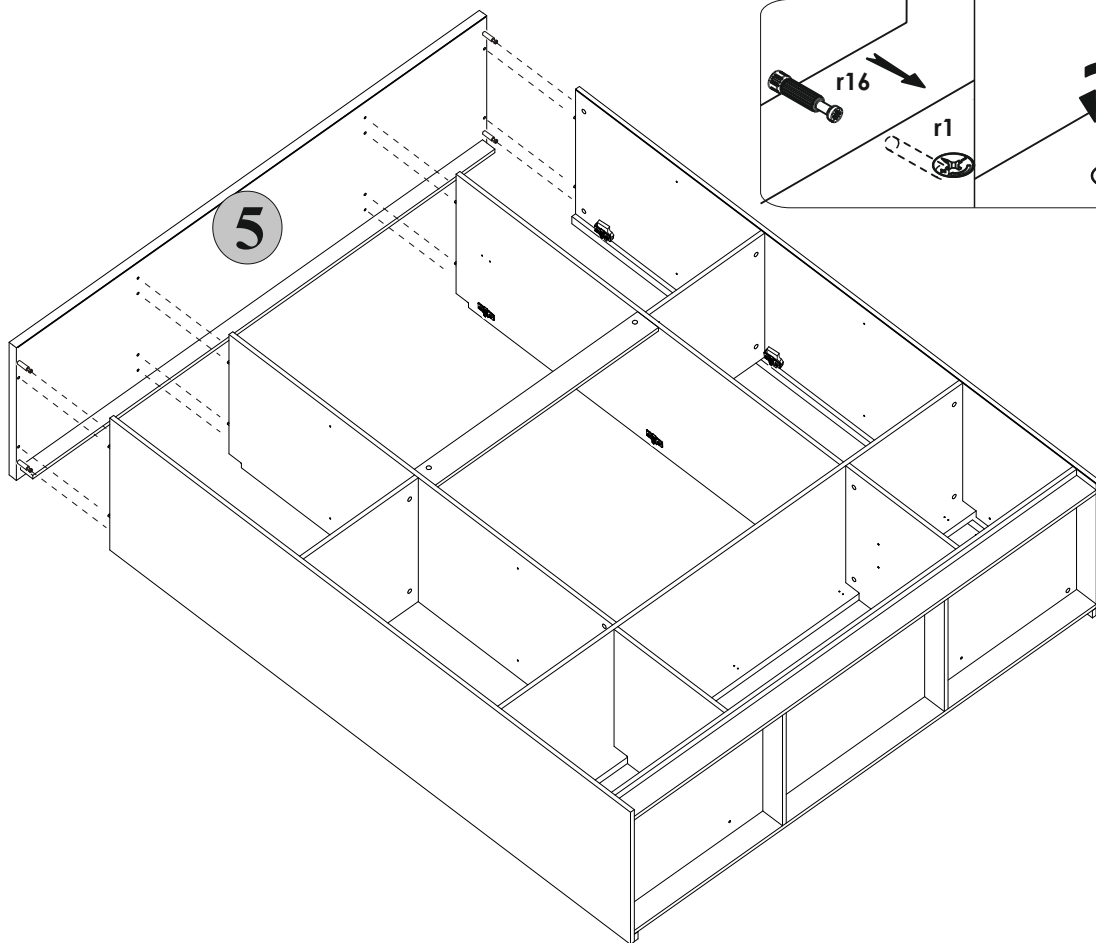
8

9

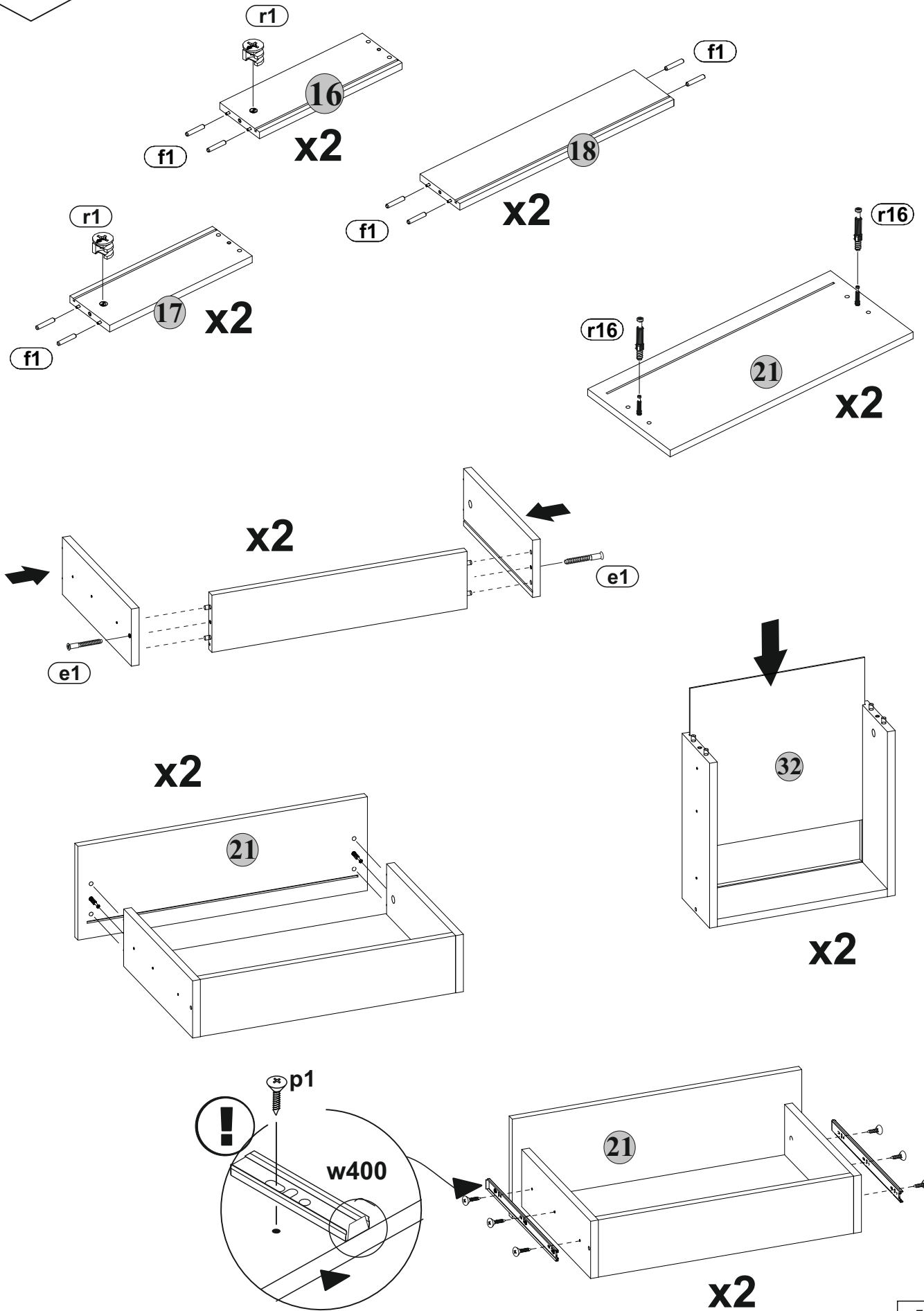


9

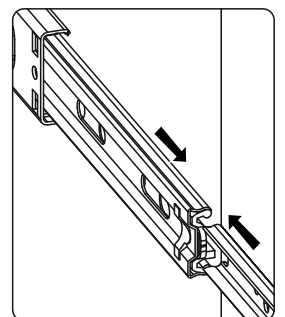
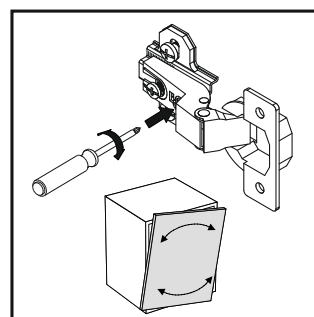
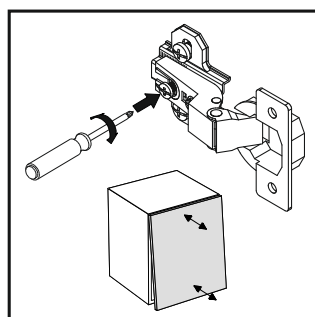
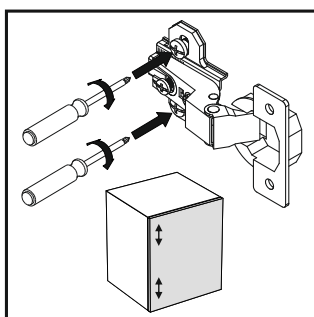
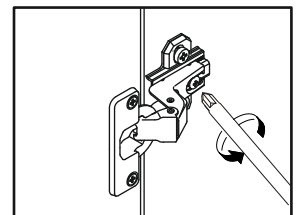
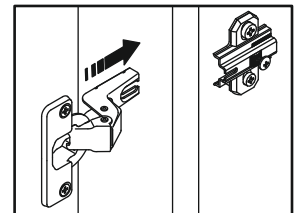
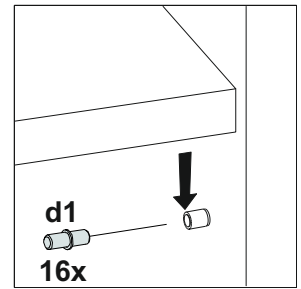
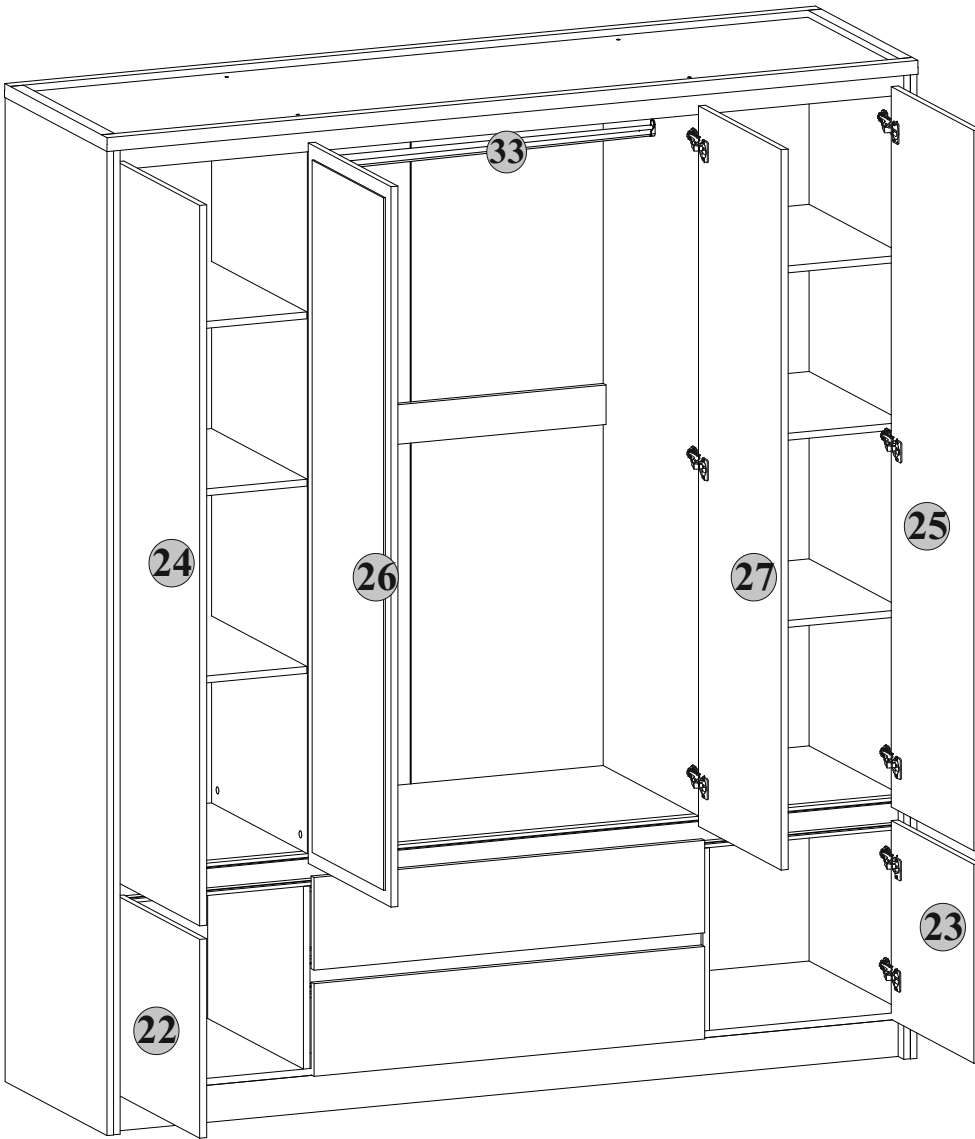
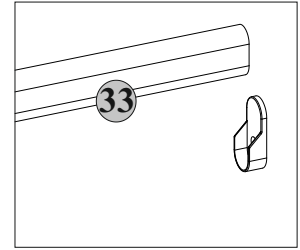
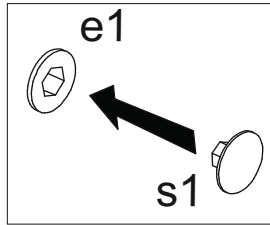
10



10




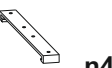
12

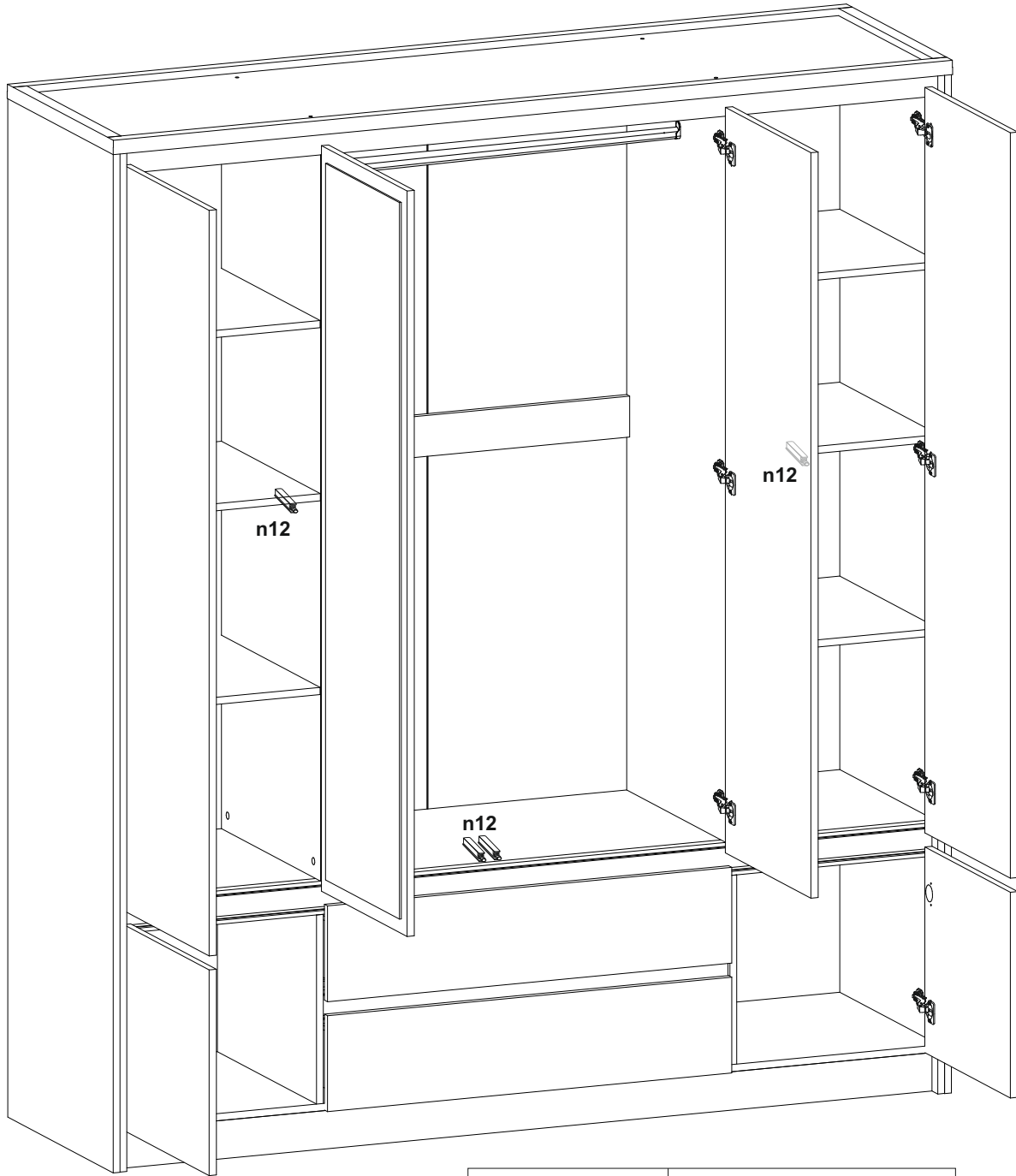


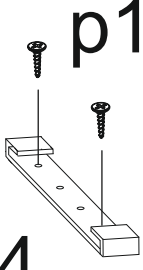
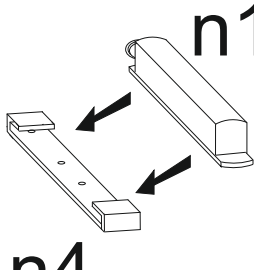
12

13

Option

4x  n12	4x  n4
--	---



 n4	 n4
---	--

13