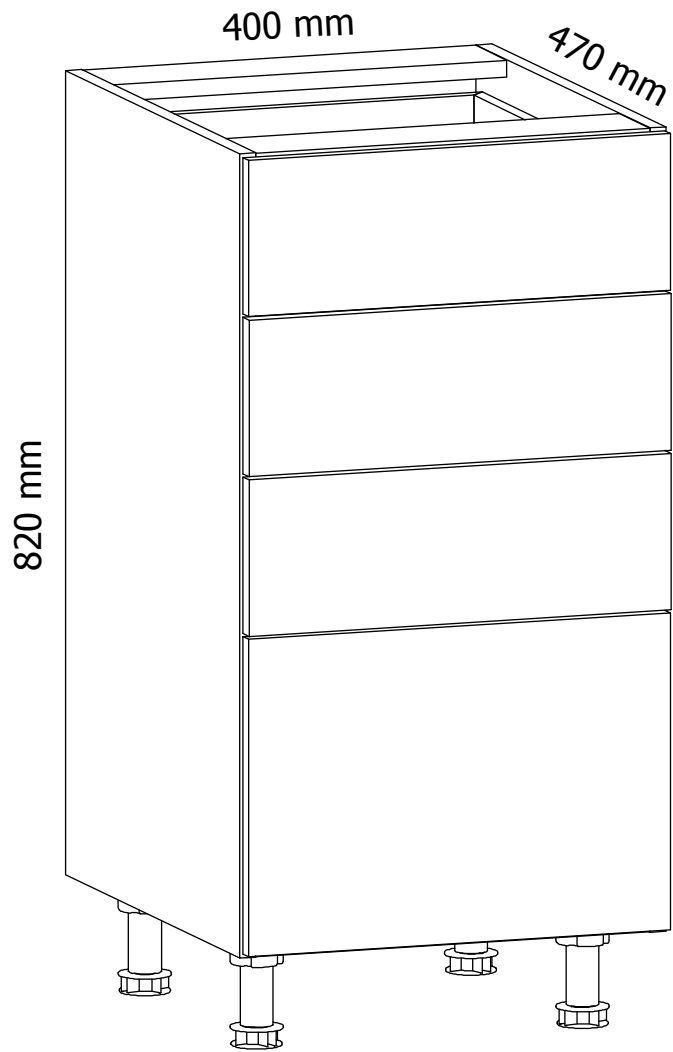
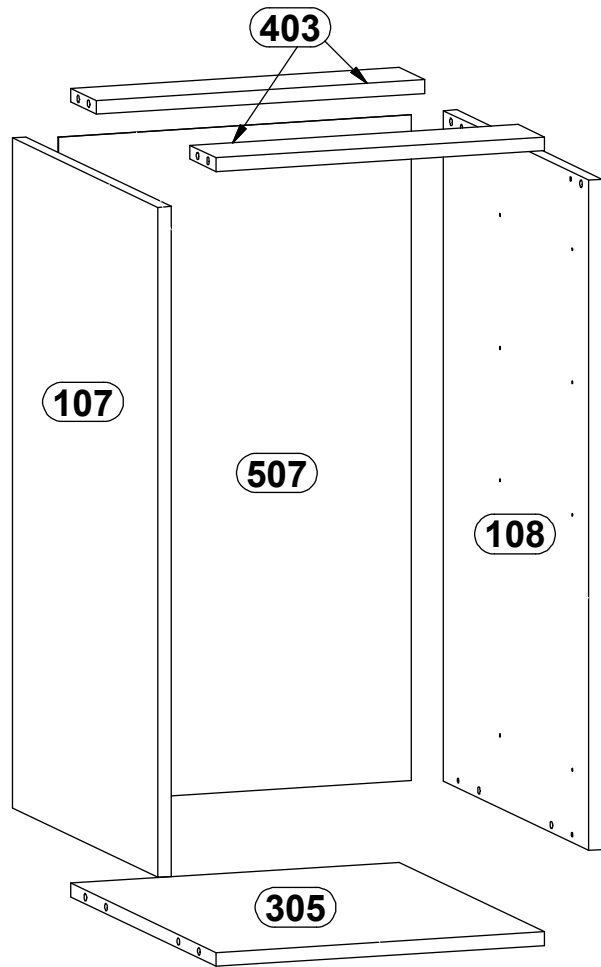
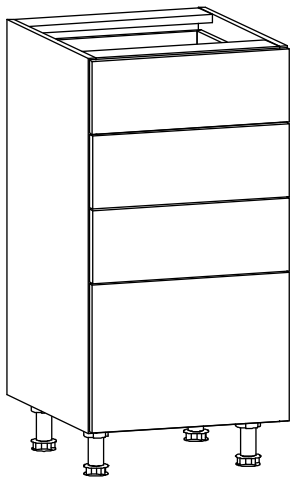


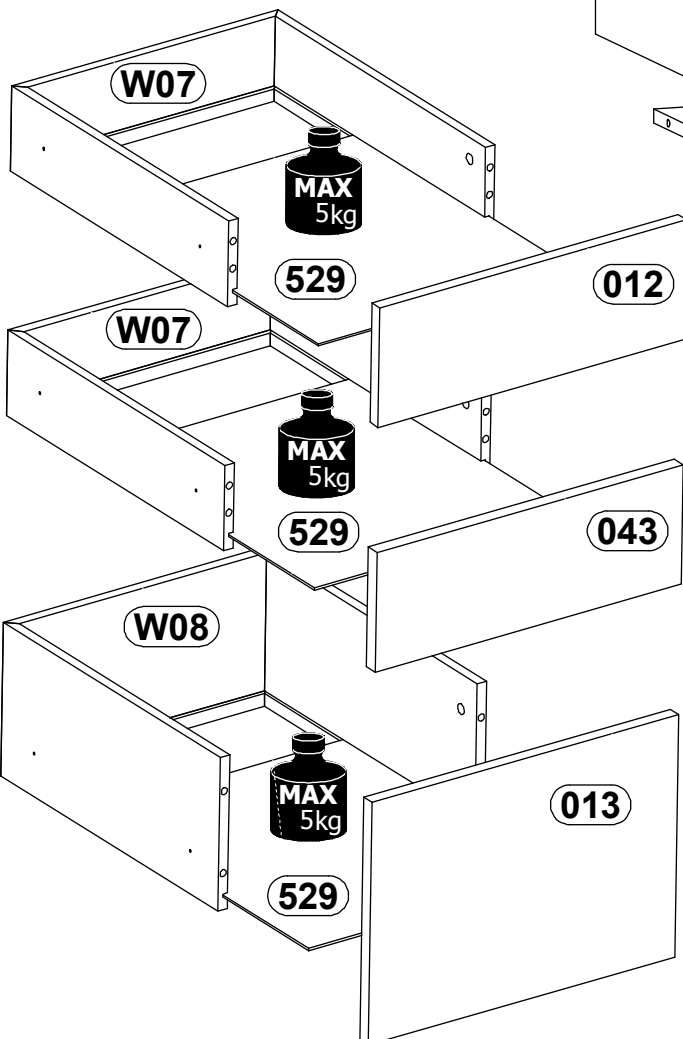
AURORA D40S4

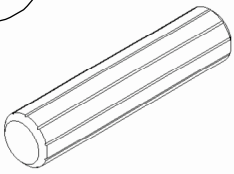
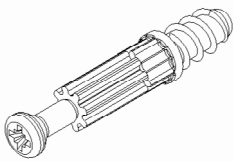
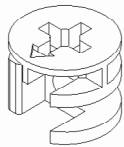
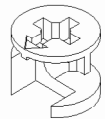


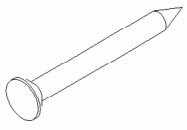
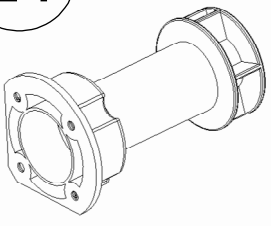
AURORA D40S4

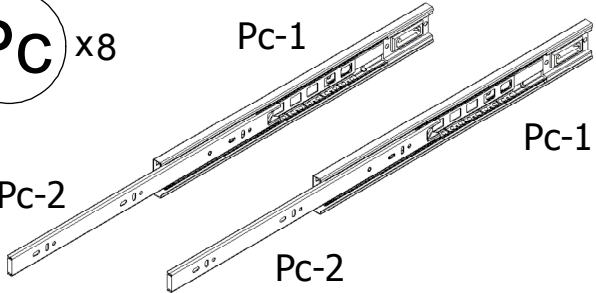

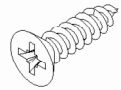



2 x



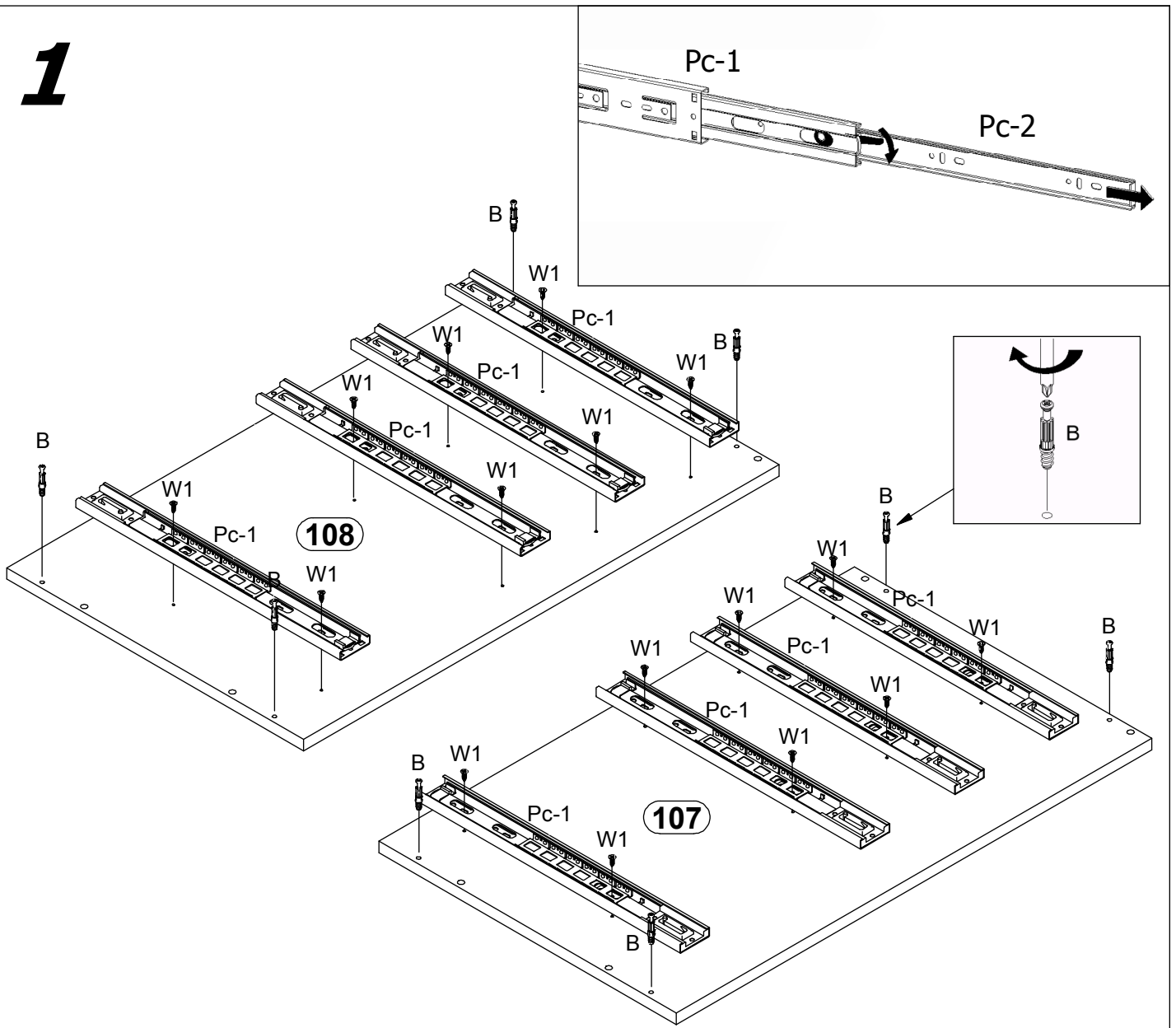
<p>A x16</p>  <p>Ø8x35mm</p>	<p>B x16</p> 	<p>C x8</p>  <p>Ø15x12mm</p>	<p>C1 x8</p>  <p>Ø12x10mm</p>
--	---	---	---

<p>G x35</p> 	<p>L1 x4</p> 		
---	---	--	--

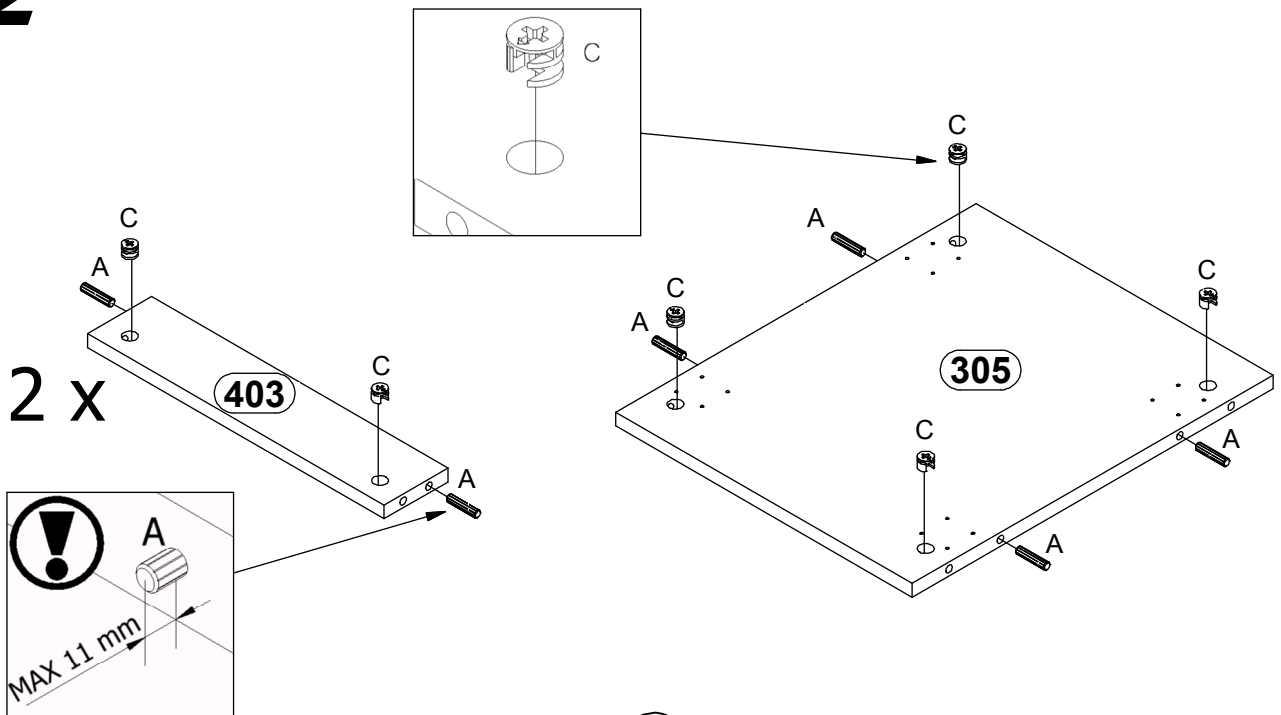
<p>Pc x8</p>  <p>Pc-1</p> <p>Pc-2</p>	<p>W1 x32</p>  <p>Ø3,5x13mm</p>	<p>W2 x16</p>  <p>Ø3,5x16mm</p>
--	--	---

<p>Y x16</p>  <p>Ø18 mm</p>	
---	--

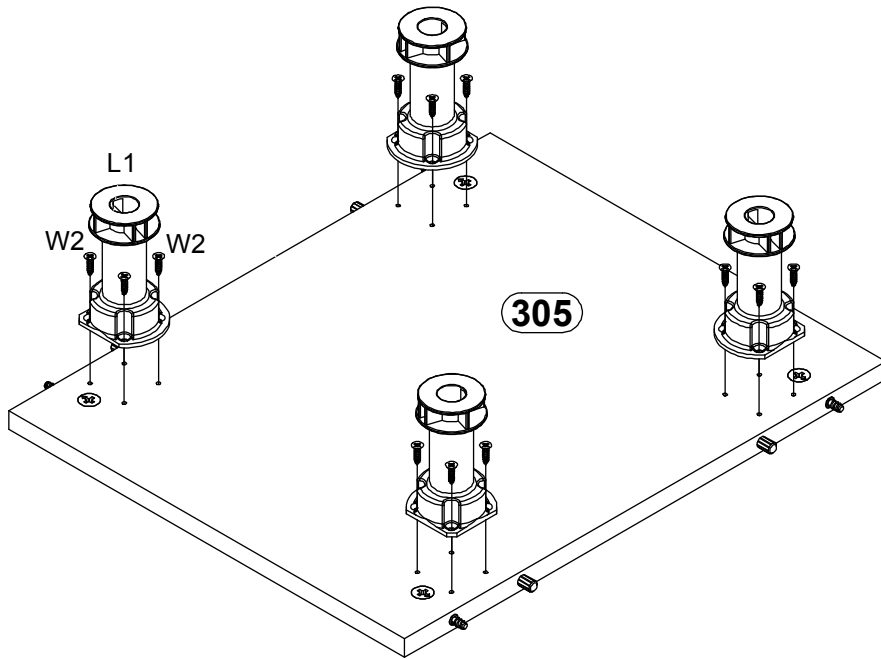
1



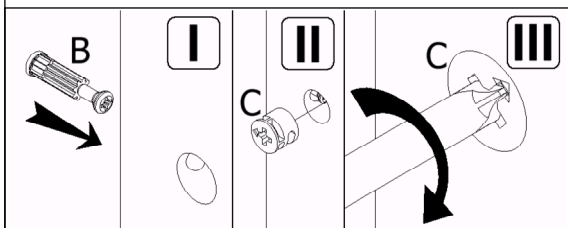
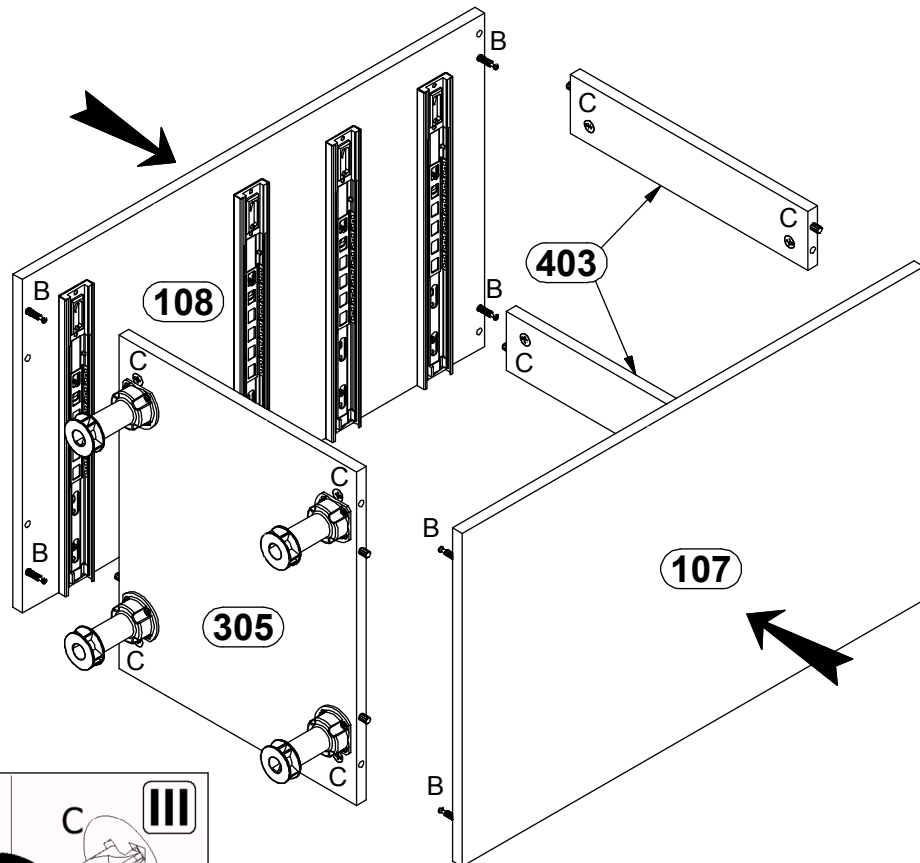
2



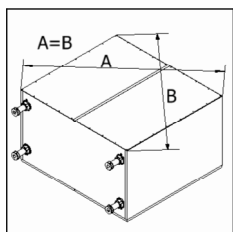
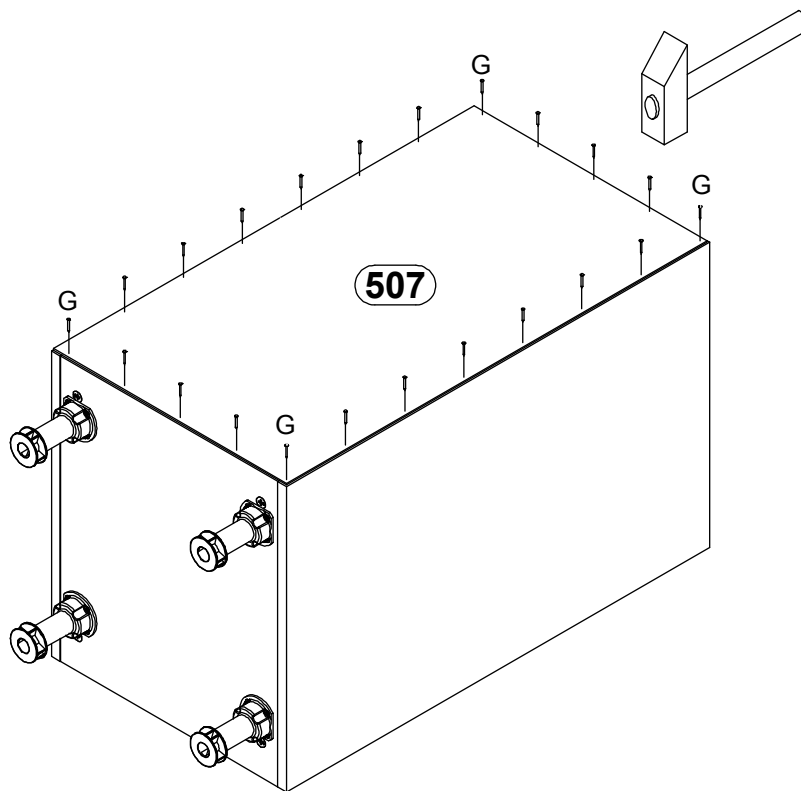
3



4

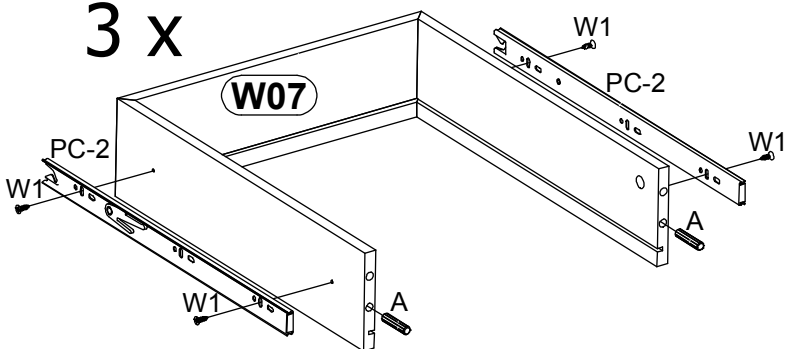


5

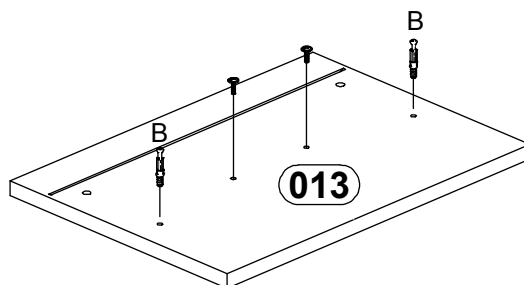
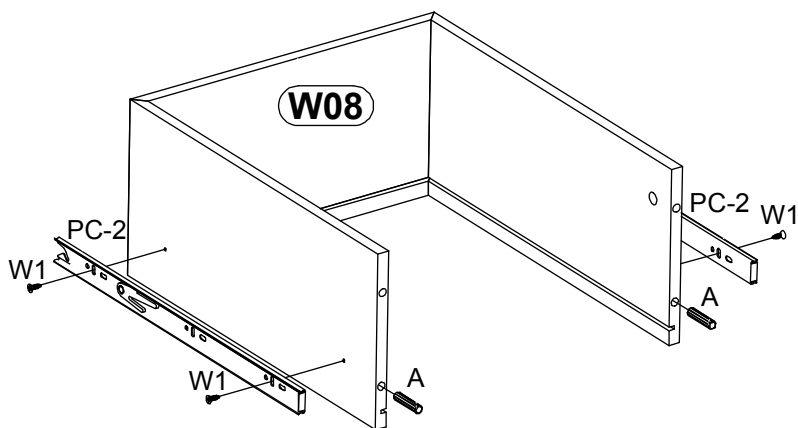
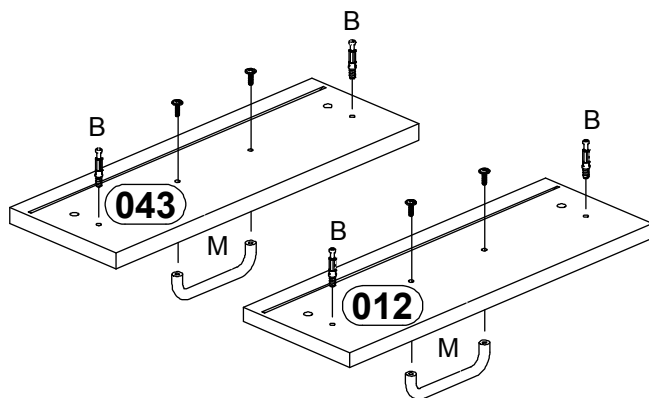


6

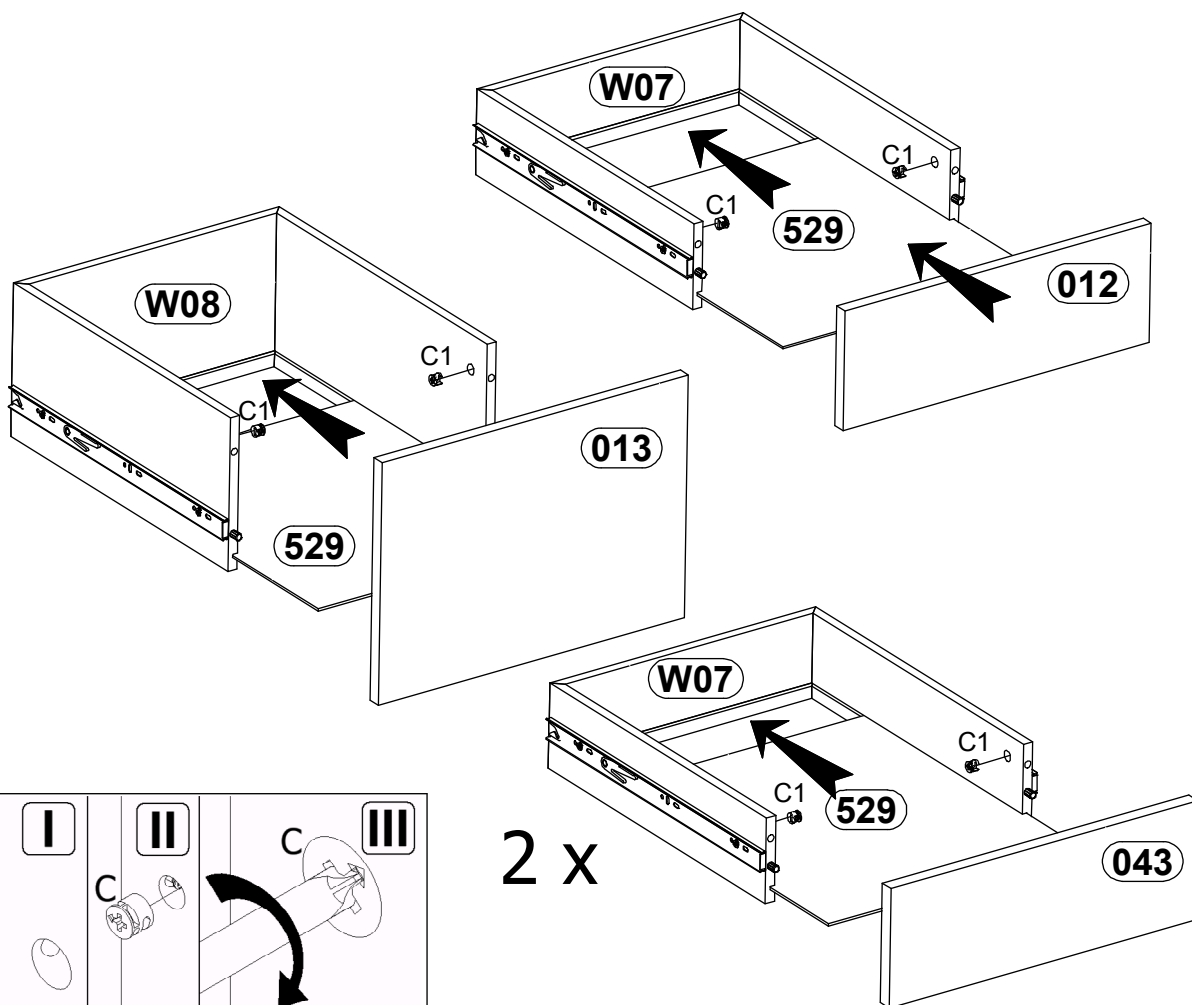
3 x



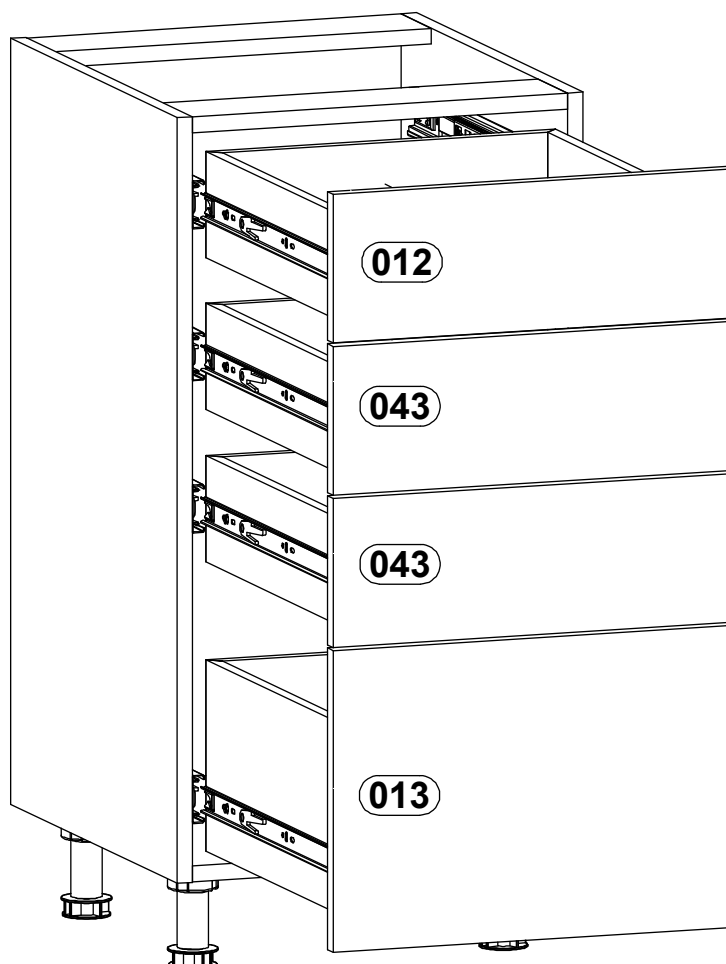
2 x

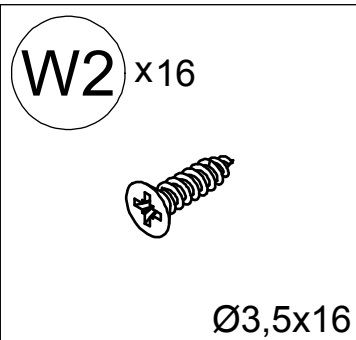
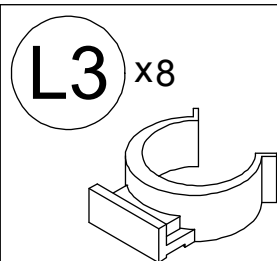
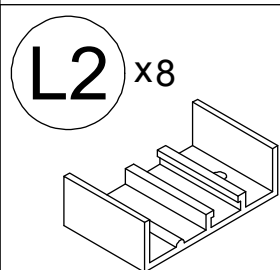
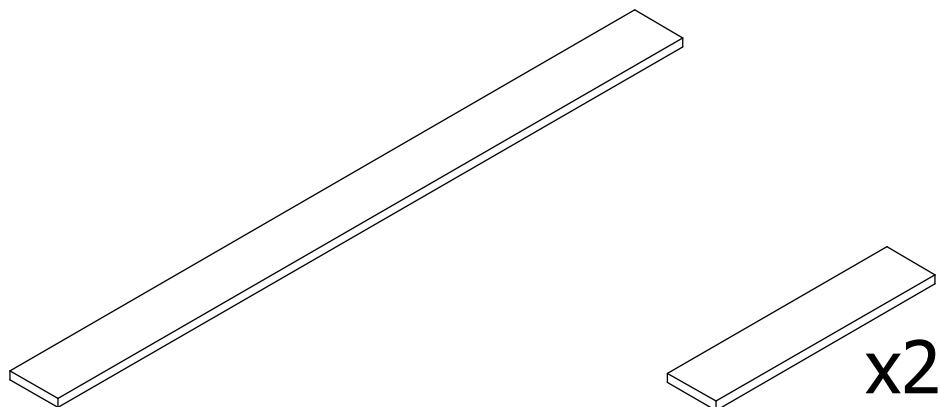
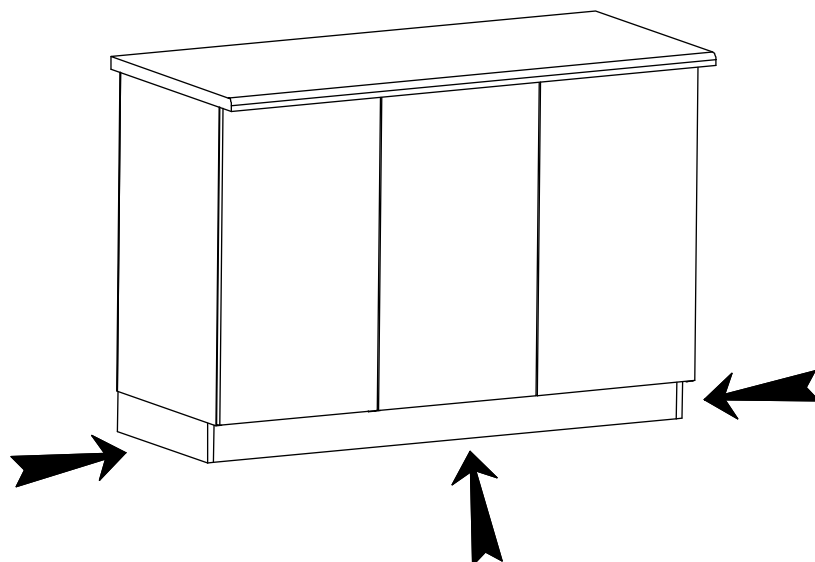


7

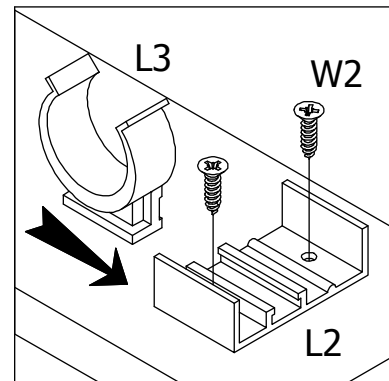
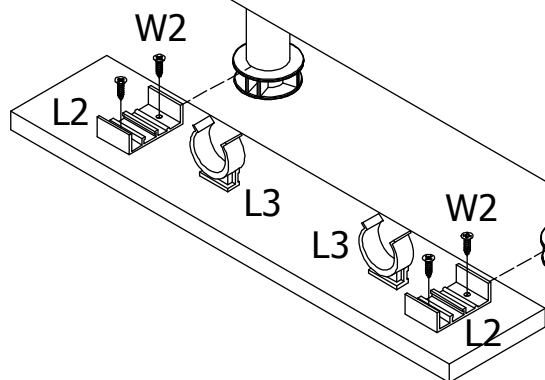


8





9



10

