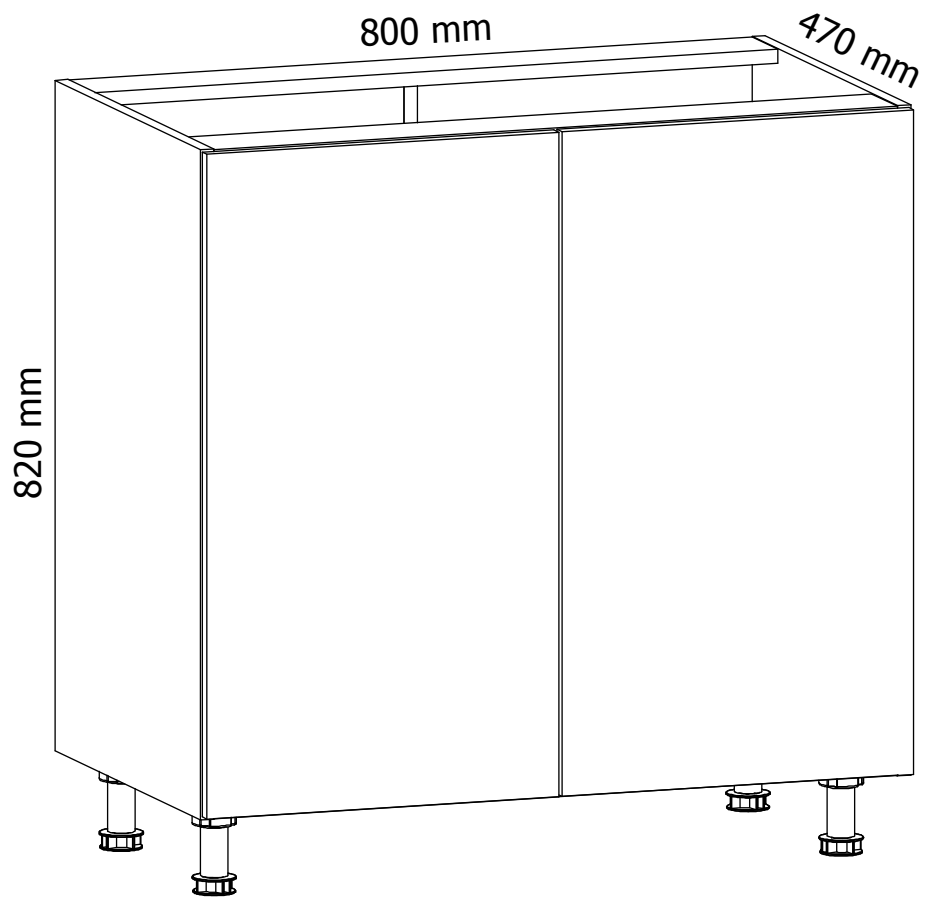
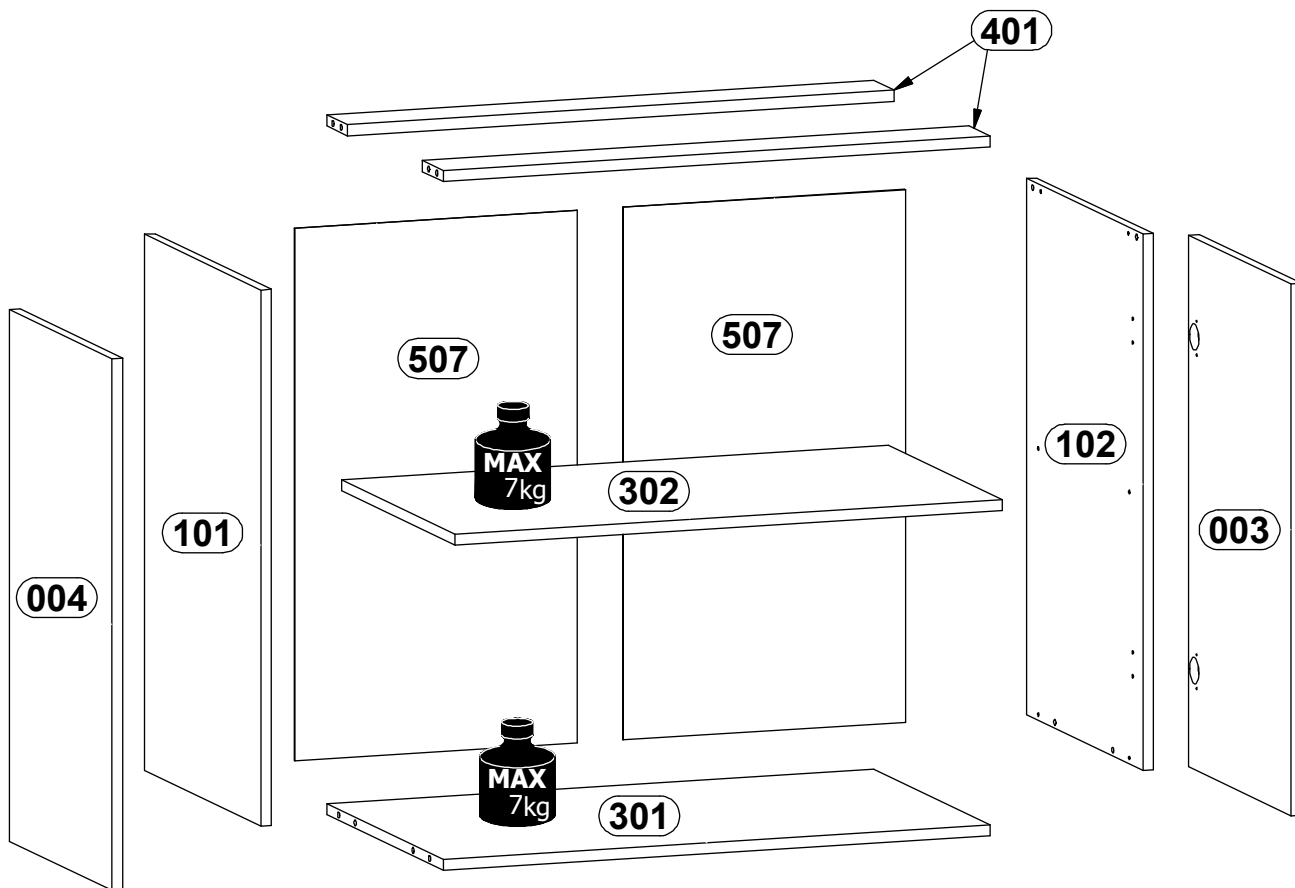
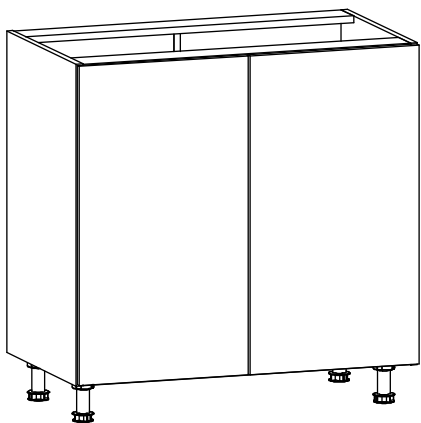
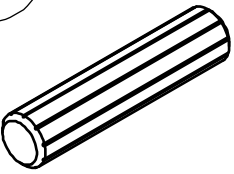
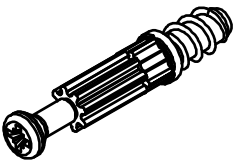
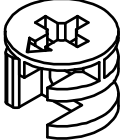
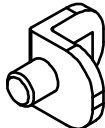
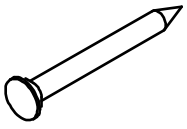
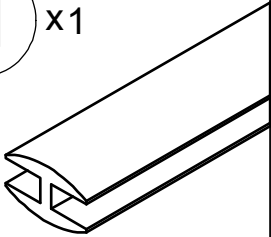
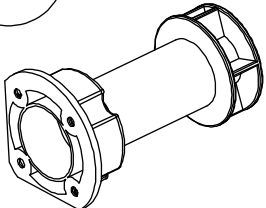

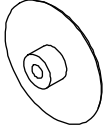
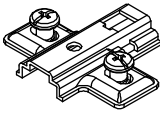
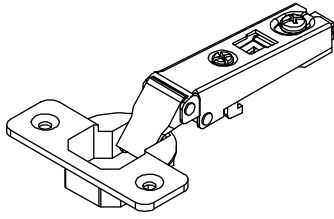


AURORA D80

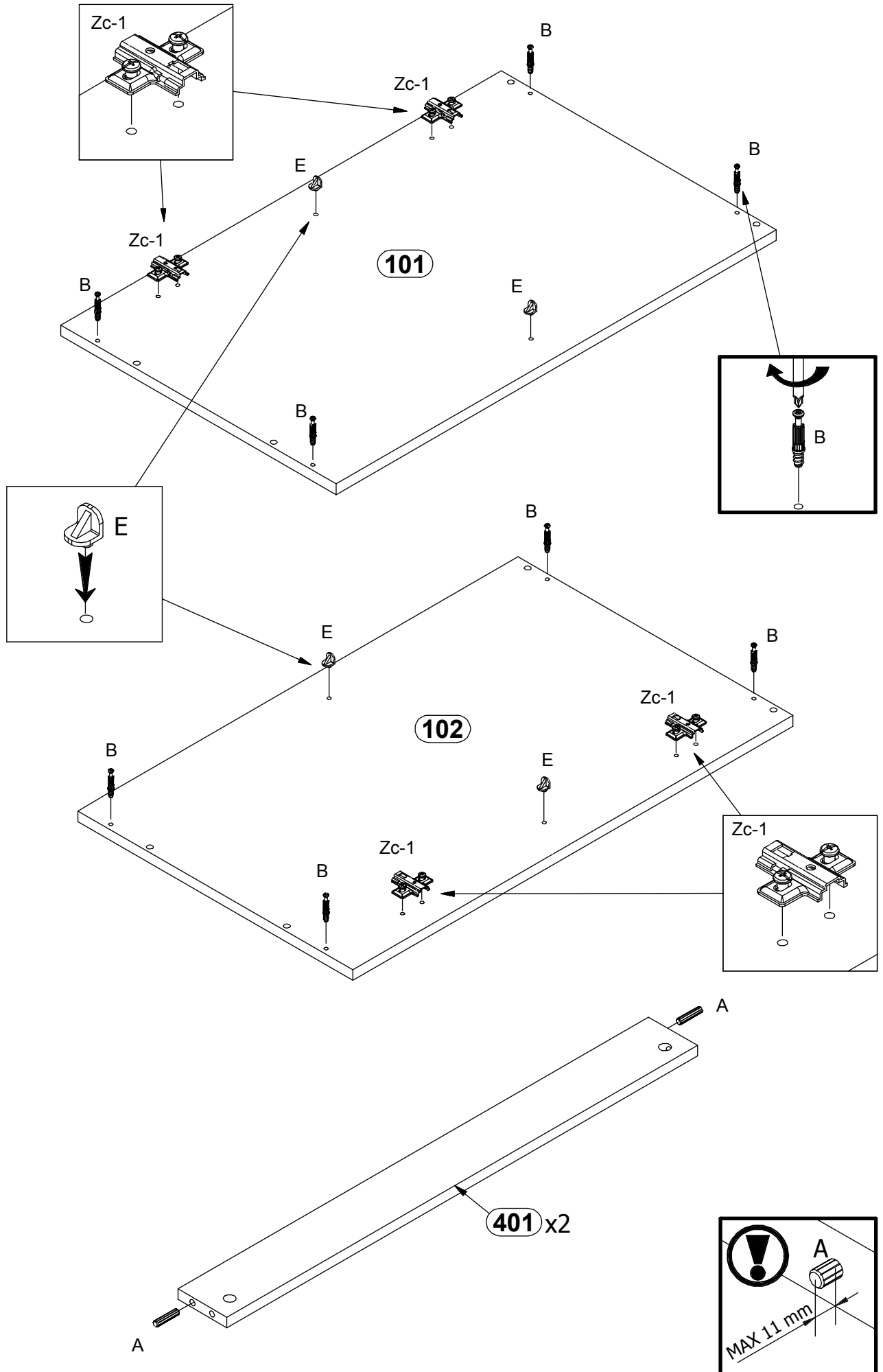


AURORA D80

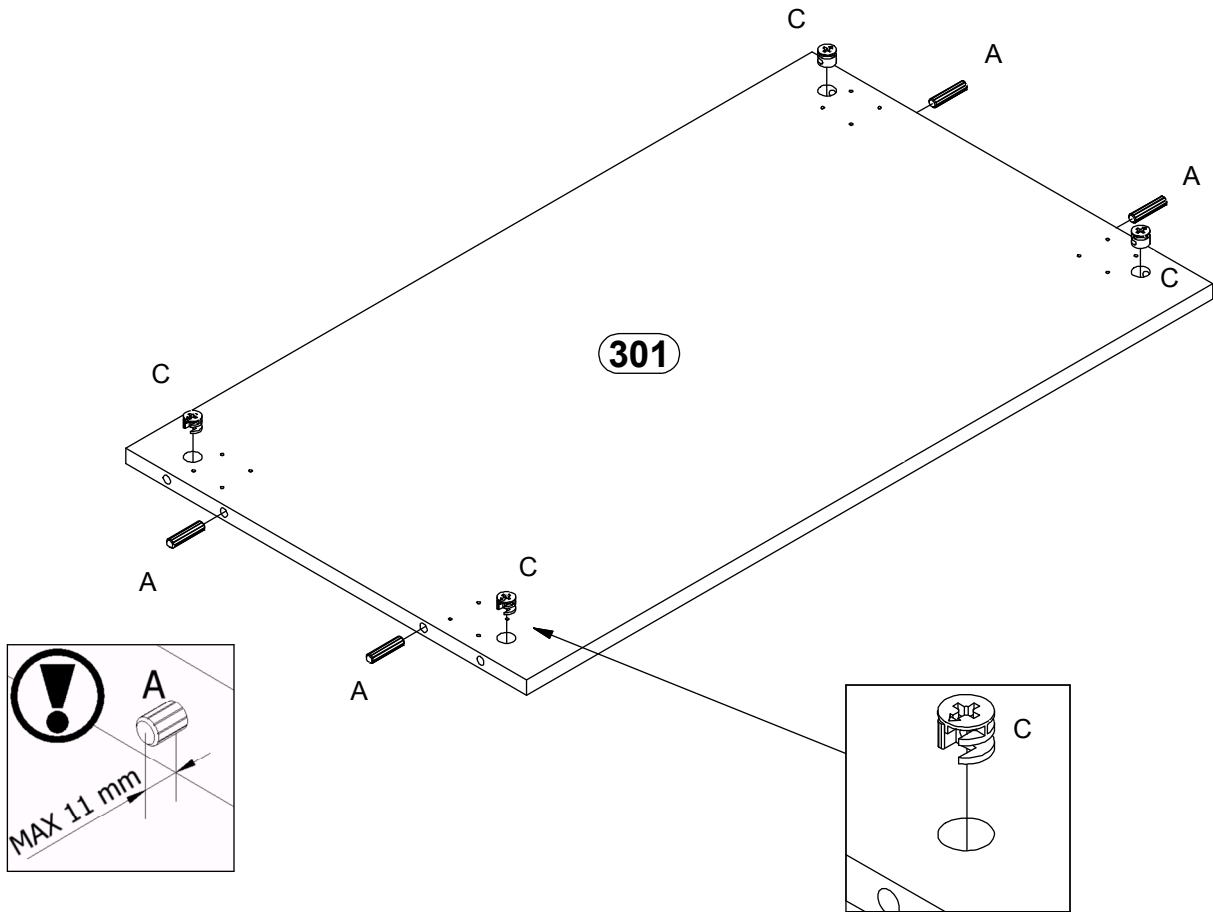


<p>A x8</p>  <p>Ø8x35mm</p>	<p>B x8</p> 	<p>C x8</p>  <p>Ø15x12mm</p>	<p>E x4</p> 
<p>G x35</p> 	<p>H x1</p>  <p>715 mm</p>	<p>L1 x4</p> 	
<p>W2 x24</p>  <p>Ø3,5x16</p>	<p>Y x8</p>  <p>Ø18 mm</p>	<p>Zc x4</p>  <p>Zc-1</p>	 <p>Zc-2</p>

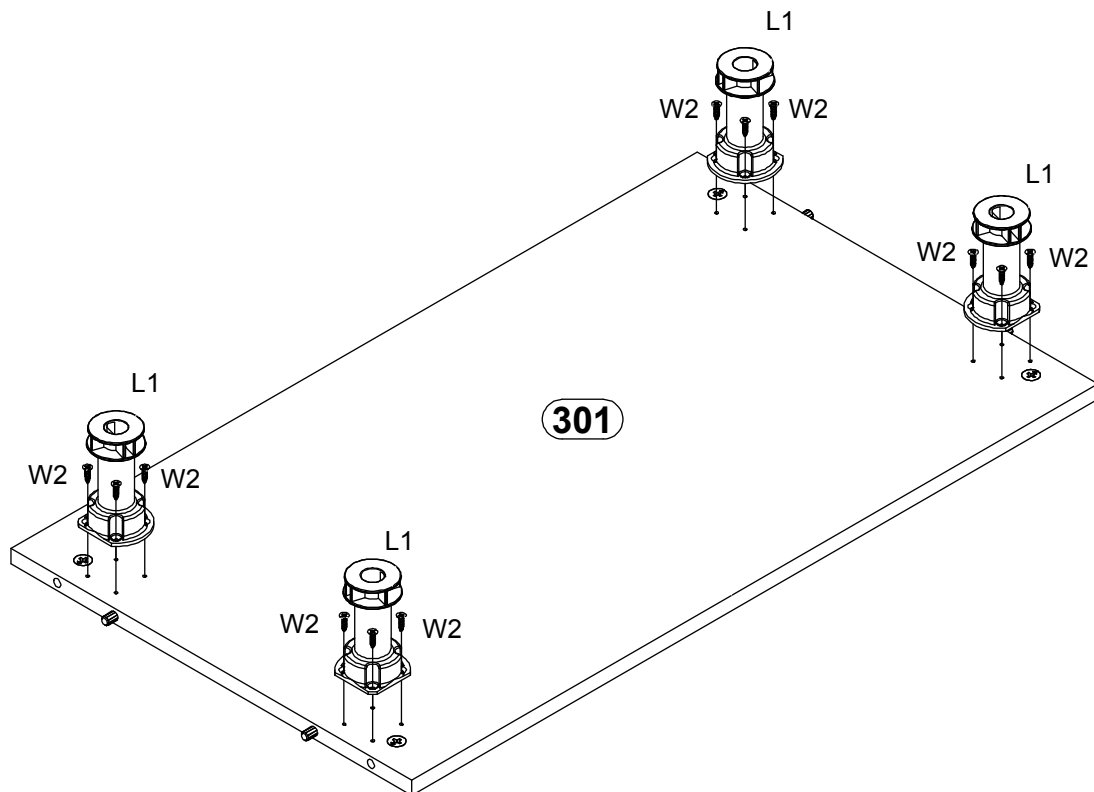
1



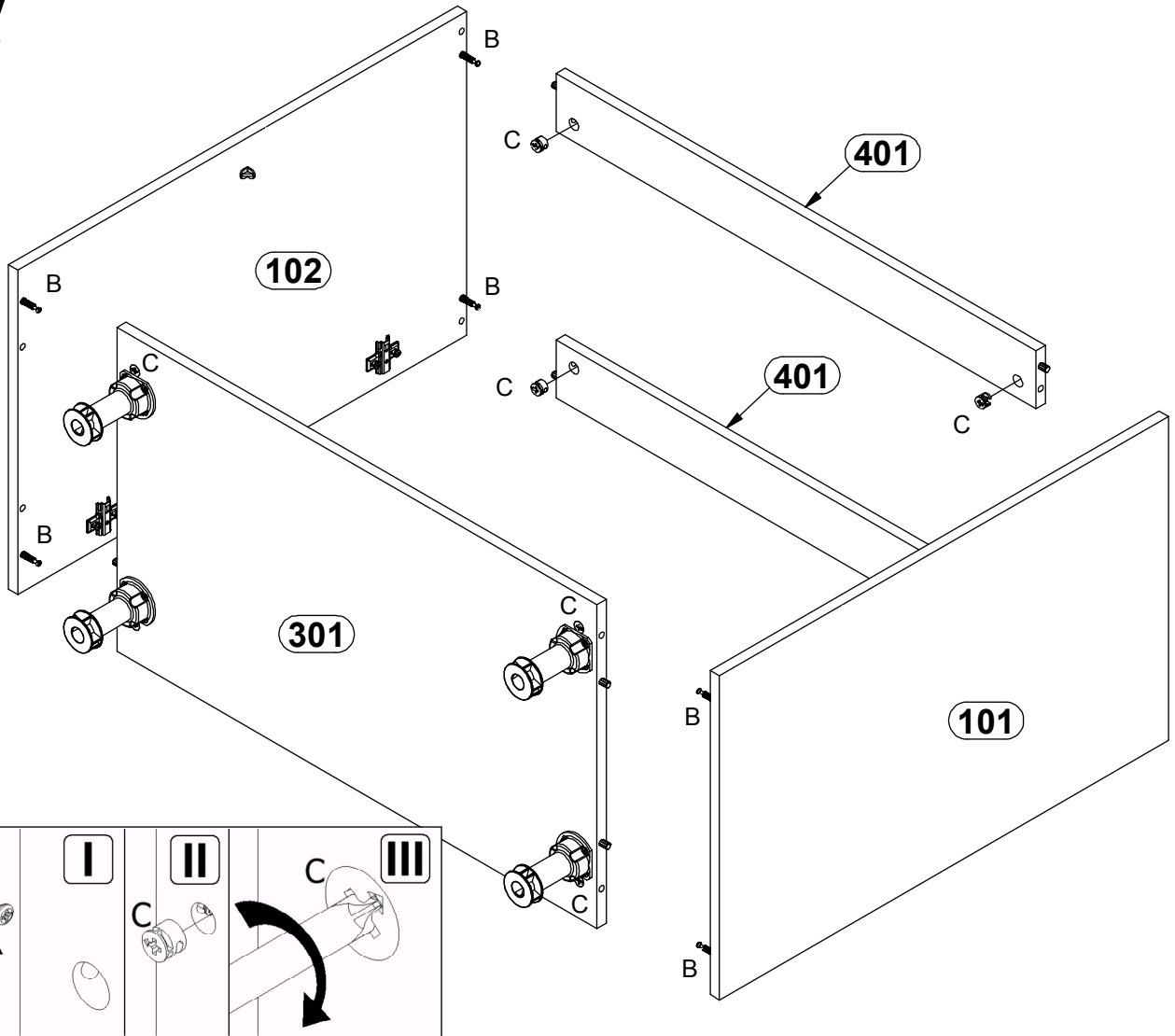
2



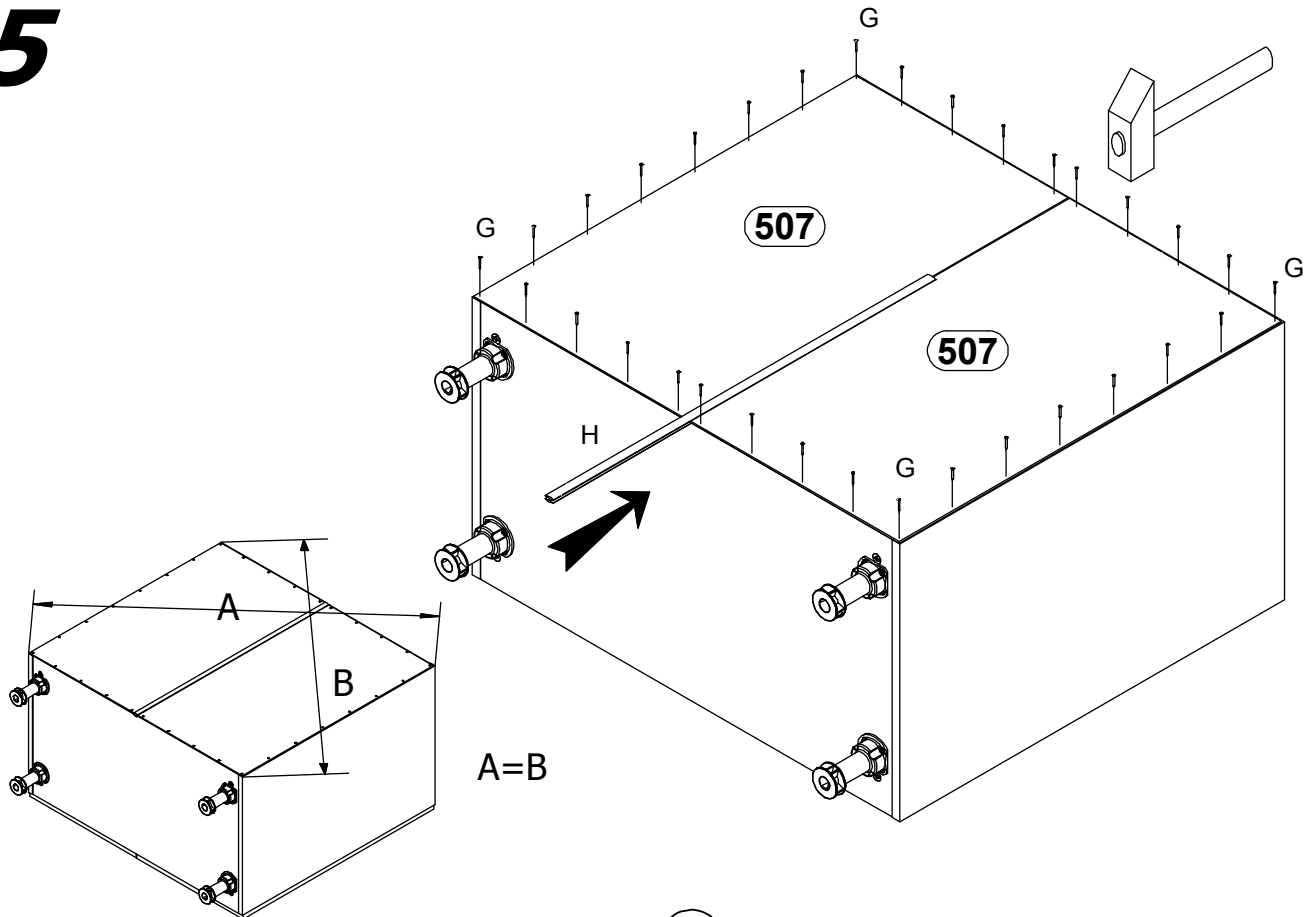
3



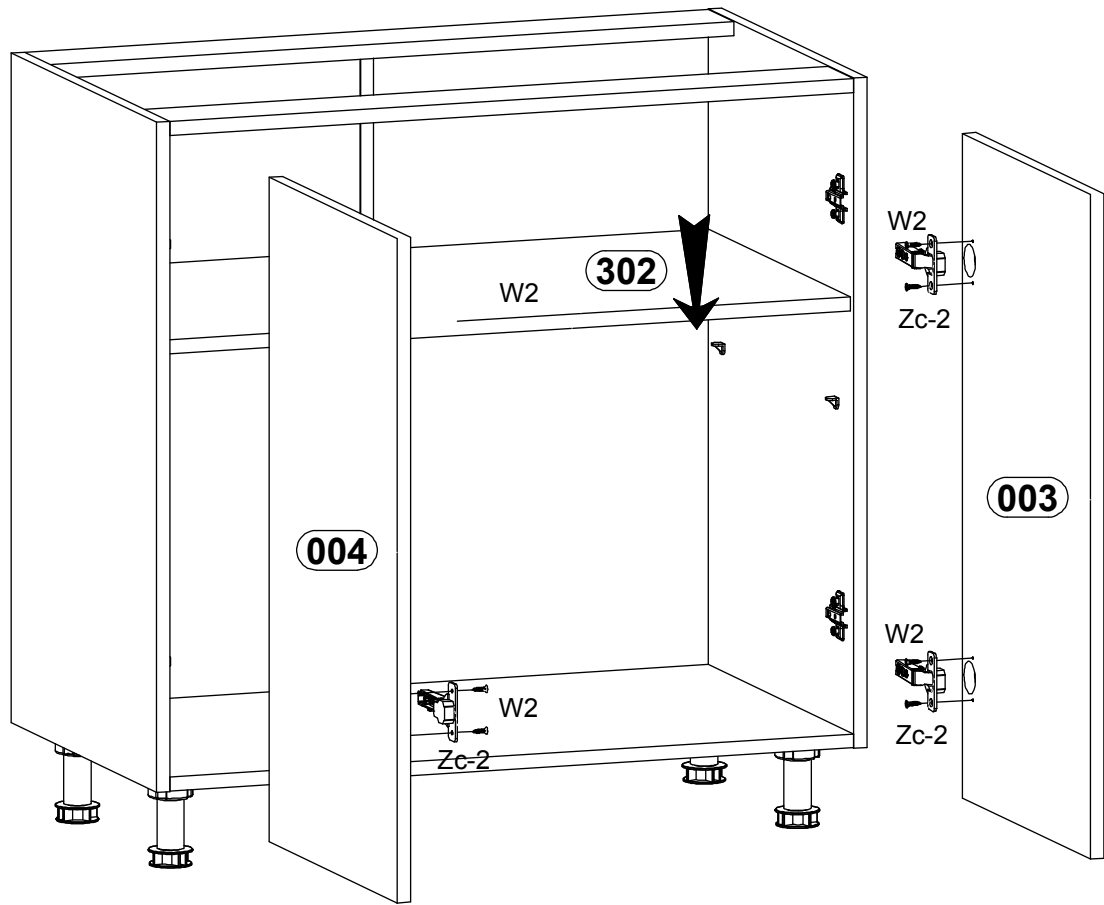
4



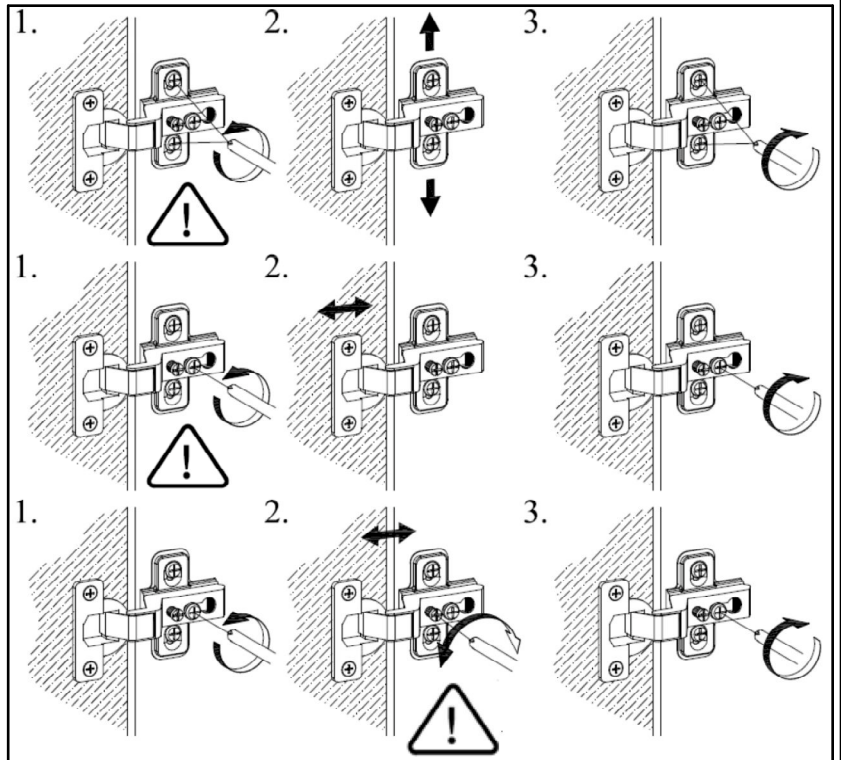
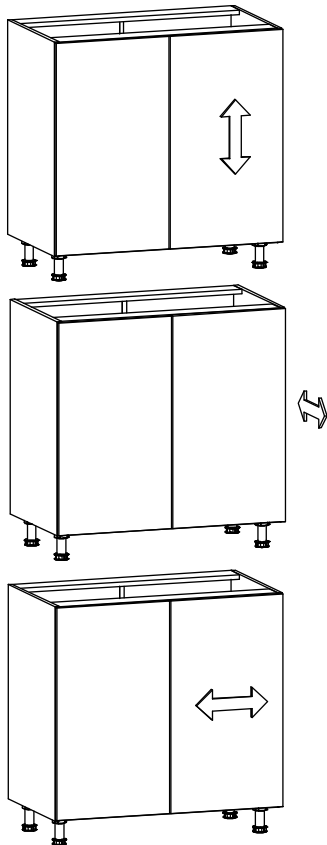
5

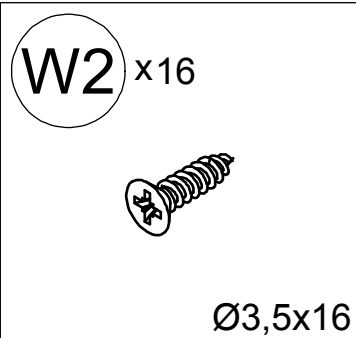
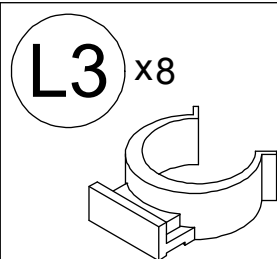
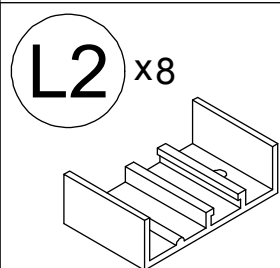
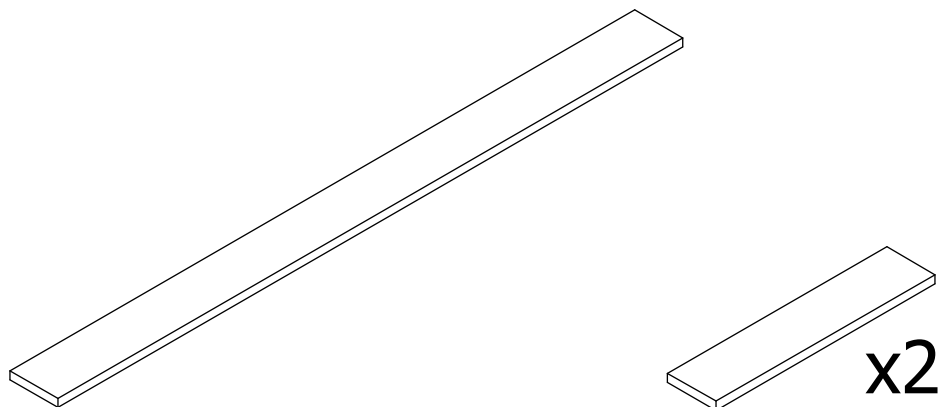
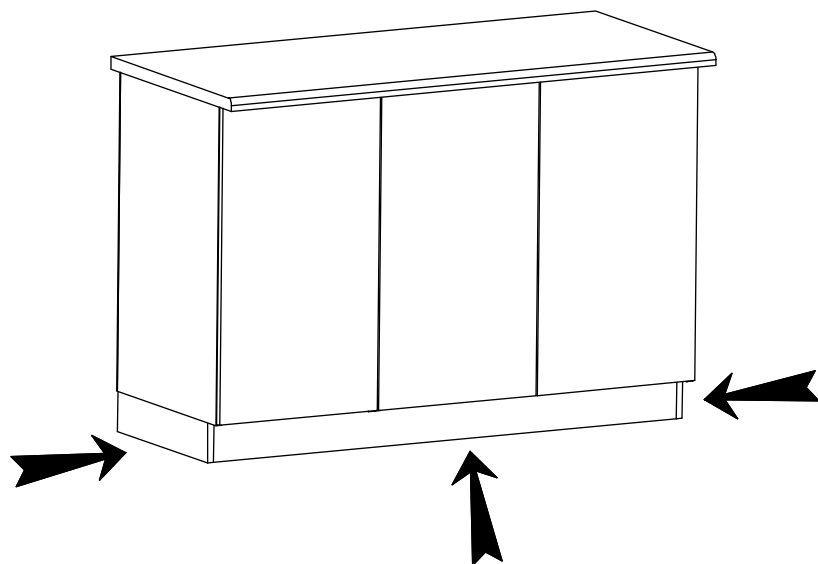


6

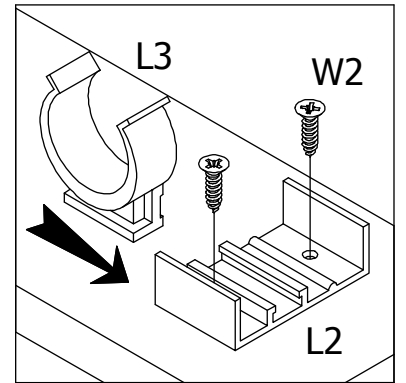
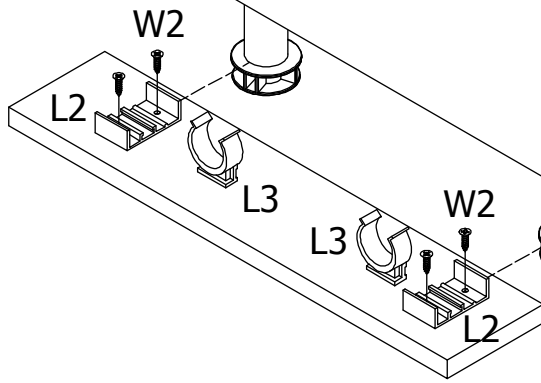


7





8



9

