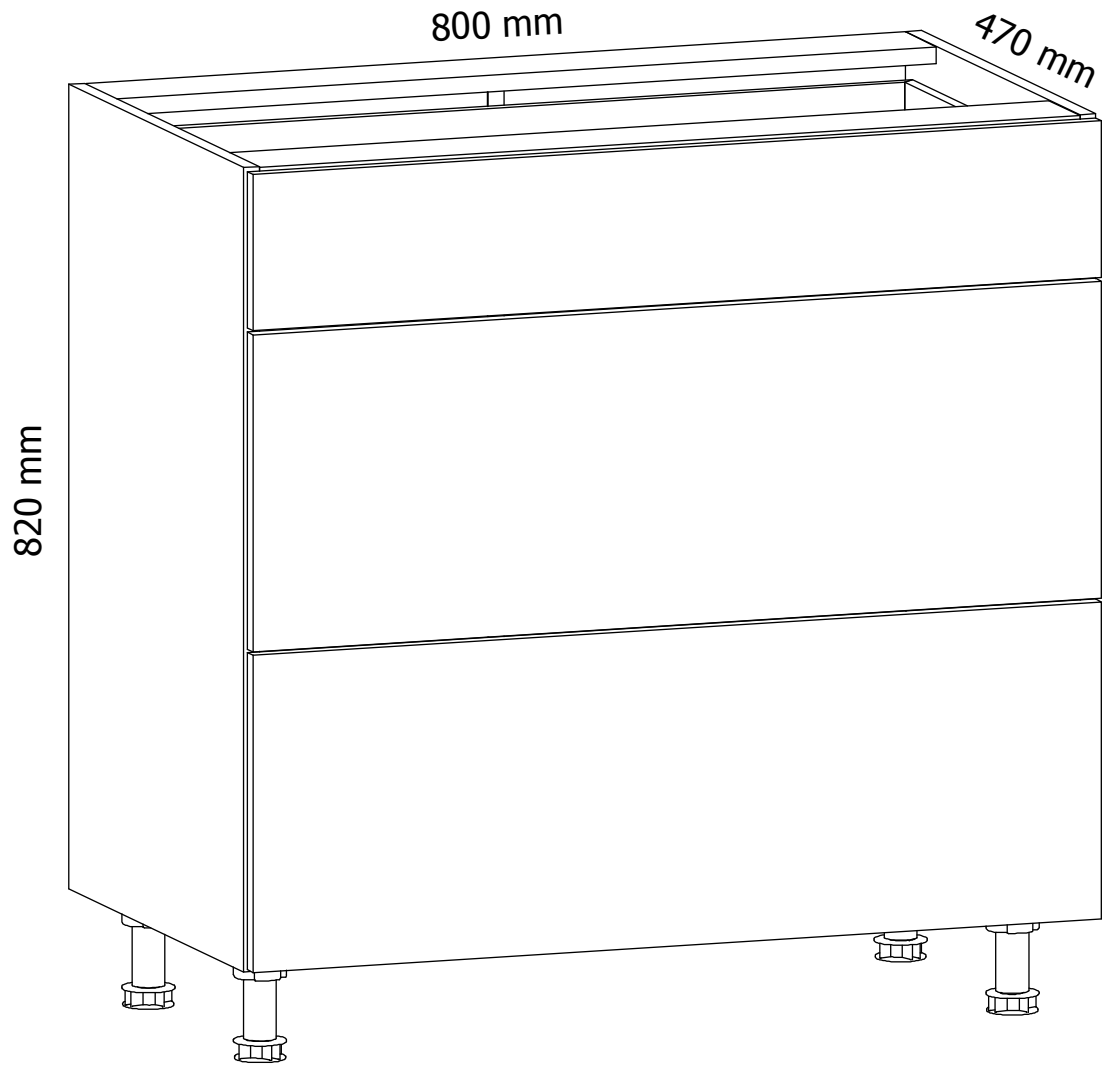
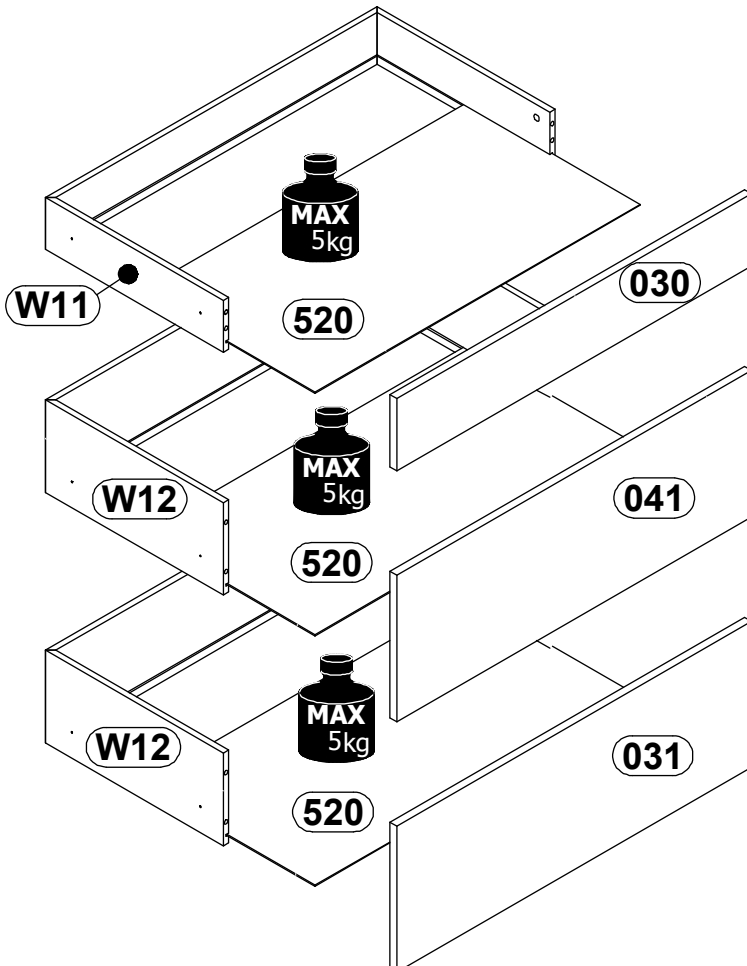
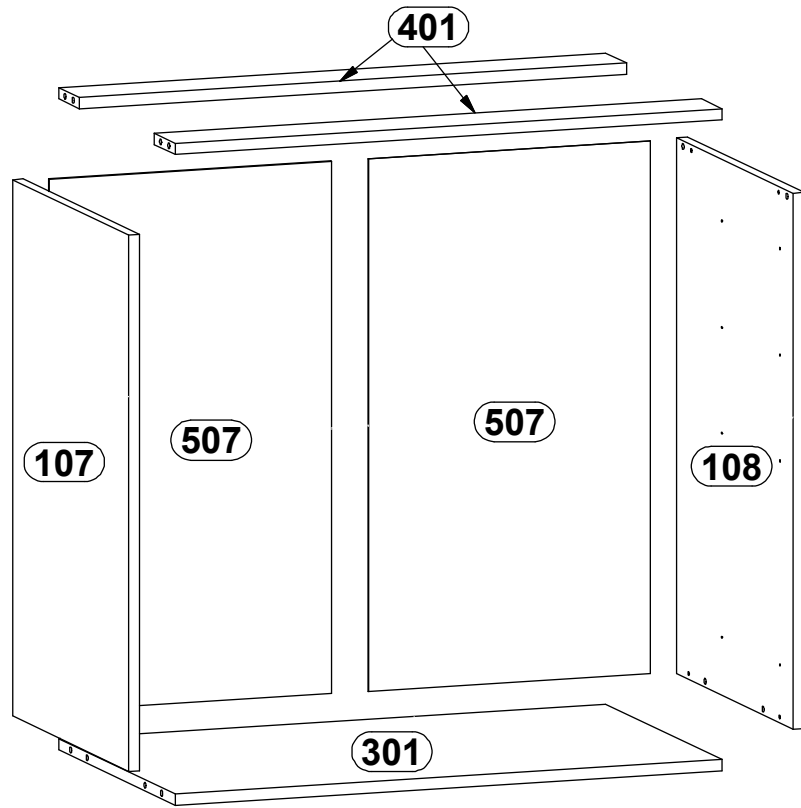
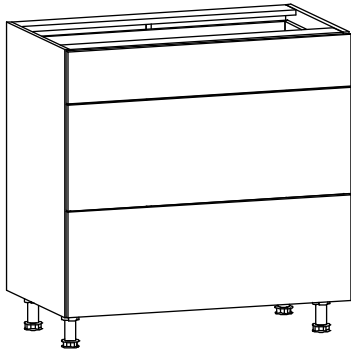
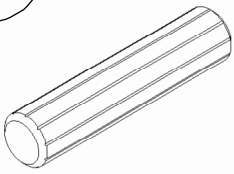
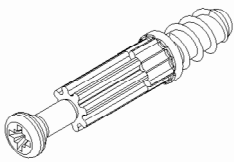
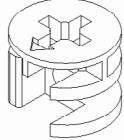
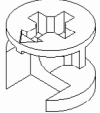
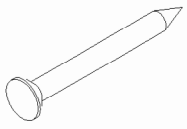
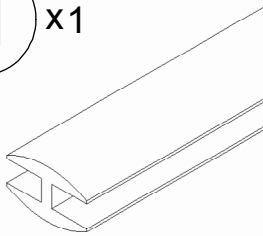
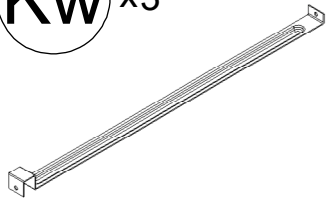
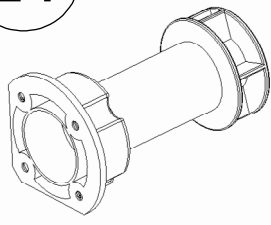
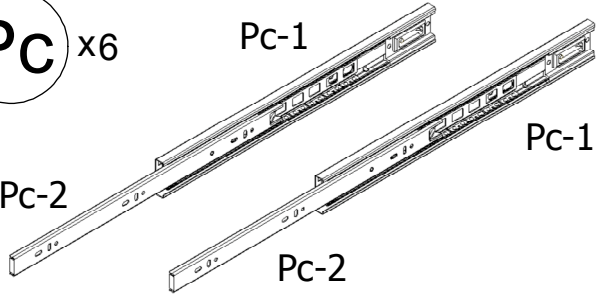
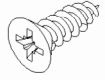
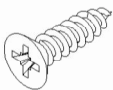



# AURORA D80S3

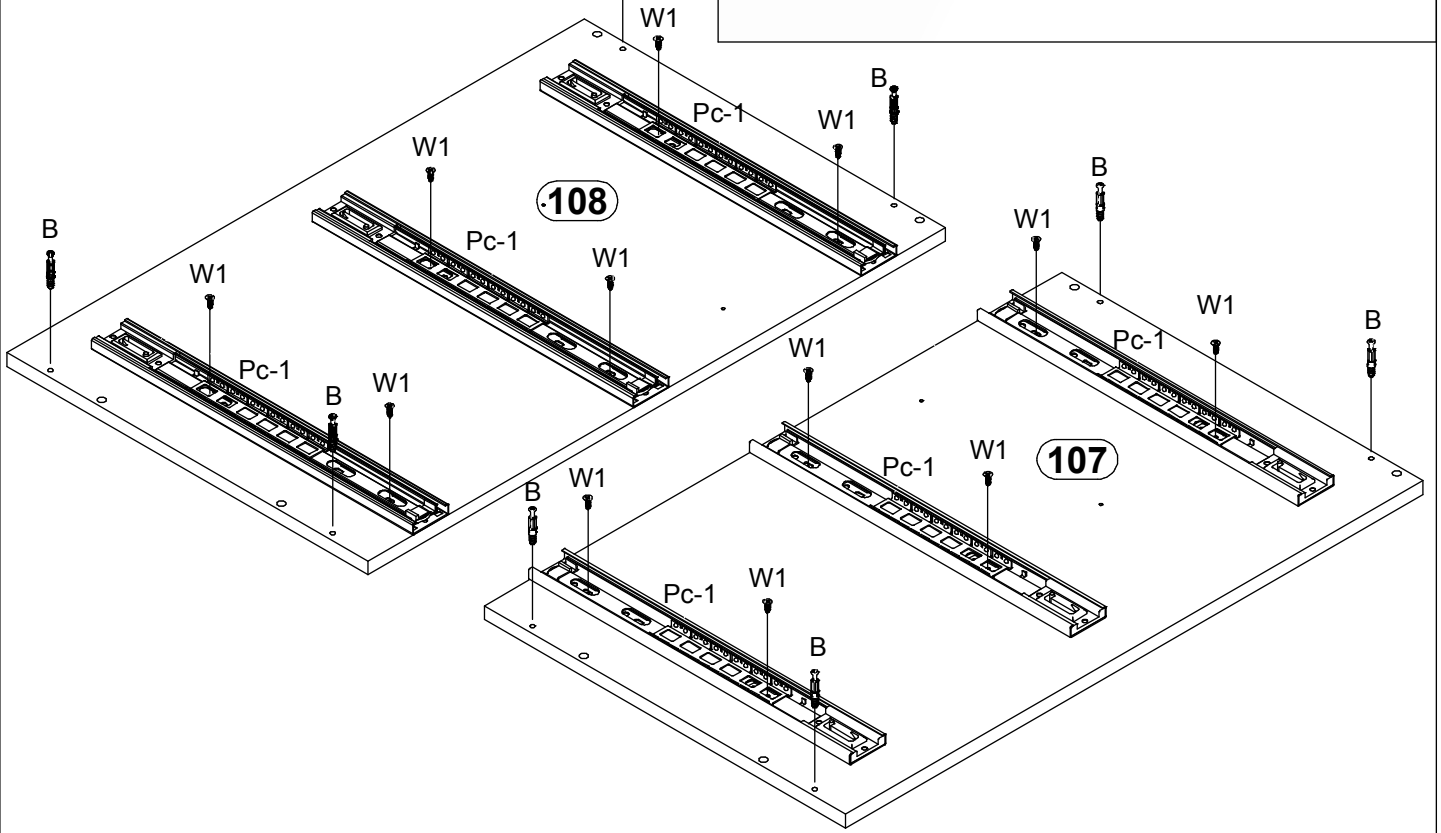
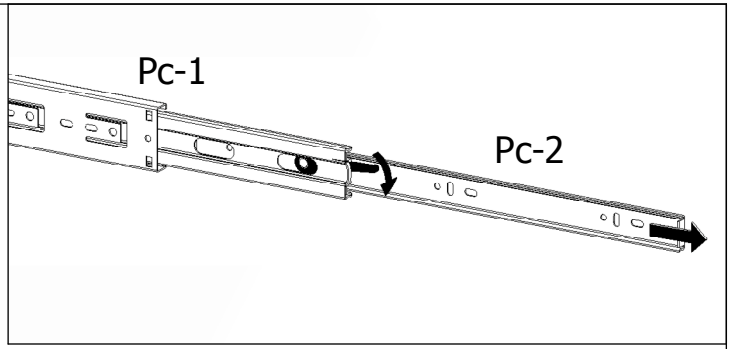
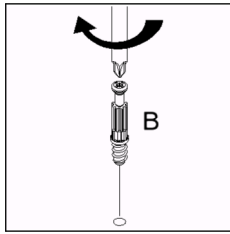


# AURORA D80S3

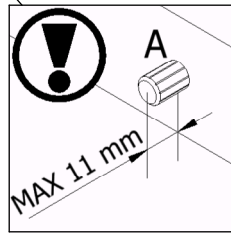
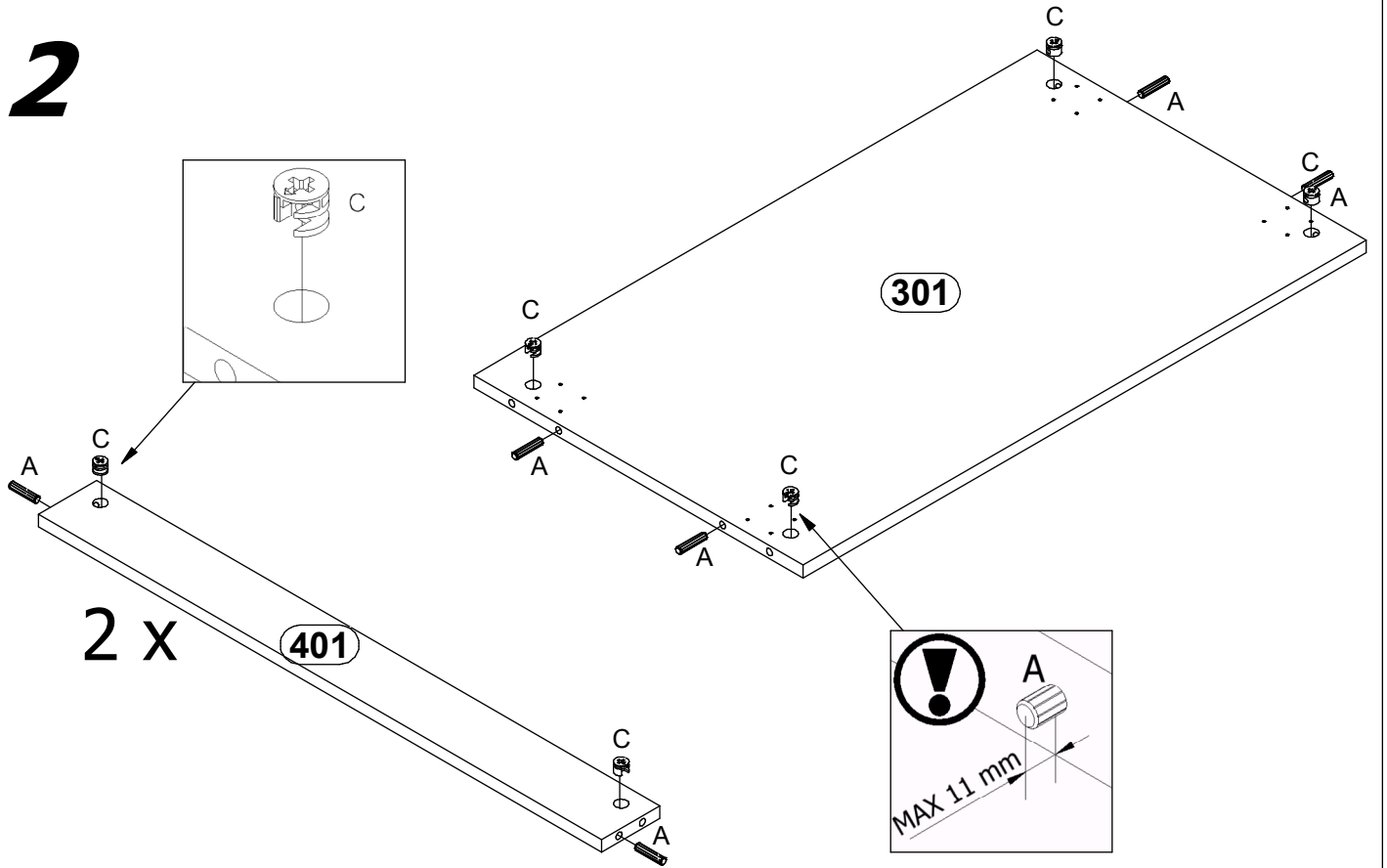
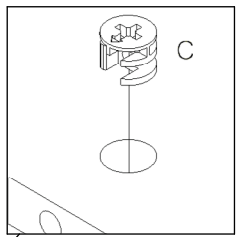


<p><b>A</b> x14</p>  <p>Ø8x35mm</p>	<p><b>B</b> x14</p> 	<p><b>C</b> x8</p>  <p>Ø15x12mm</p>	<p><b>C1</b> x6</p>  <p>Ø12x10mm</p>
<p><b>G</b> x35</p> 	<p><b>H</b> x1</p>  <p>715 mm</p>	<p><b>Kw</b> x3</p>  <p>400 mm</p>	<p><b>L1</b> x4</p> 
	<p><b>Pc</b> x6</p>  <p>Pc-1</p> <p>Pc-2</p>		<p><b>W1</b> x30</p>  <p>Ø3,5x13mm</p>
<p><b>W2</b> x16</p>  <p>Ø3,5x16mm</p>	<p><b>Y</b> x14</p>  <p>Ø18 mm</p>		

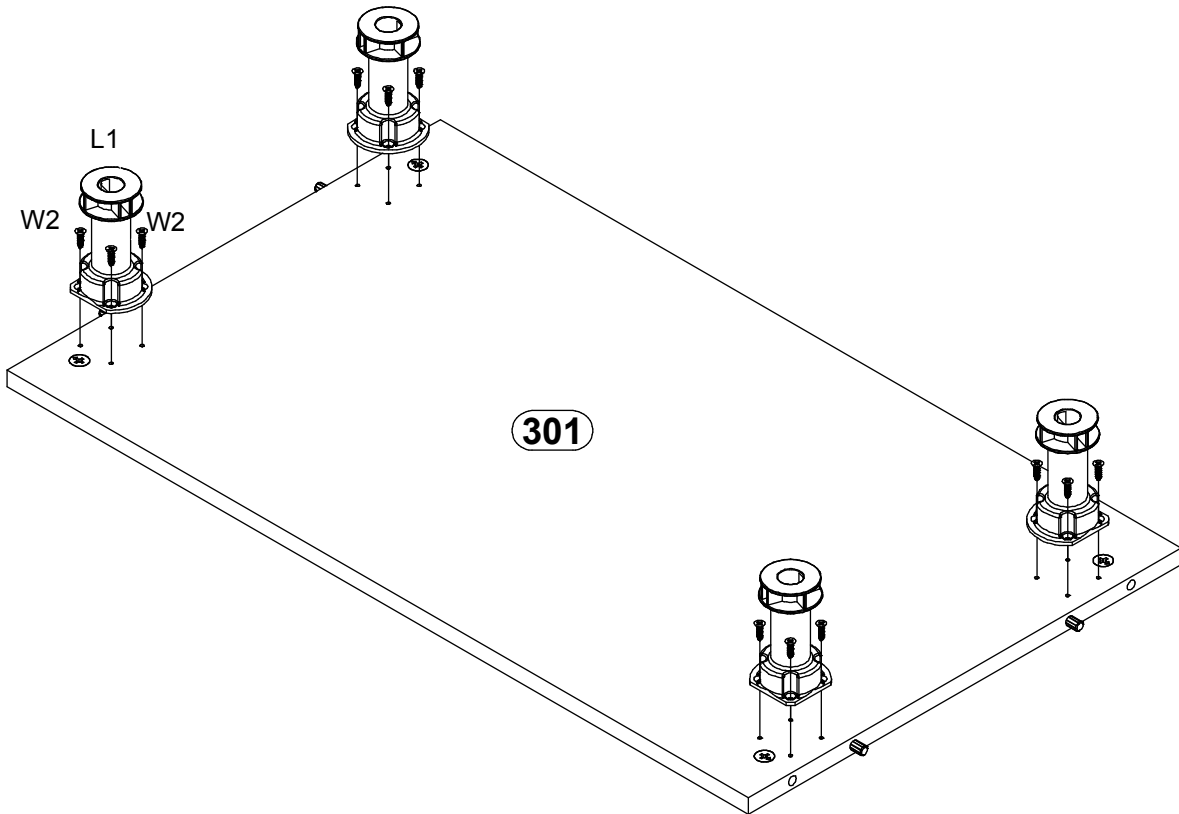
# 1



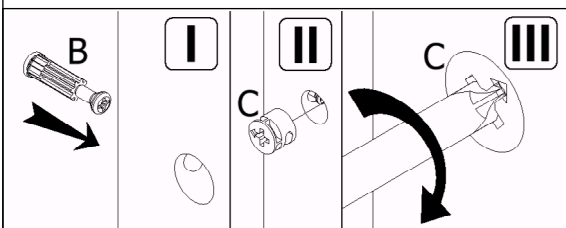
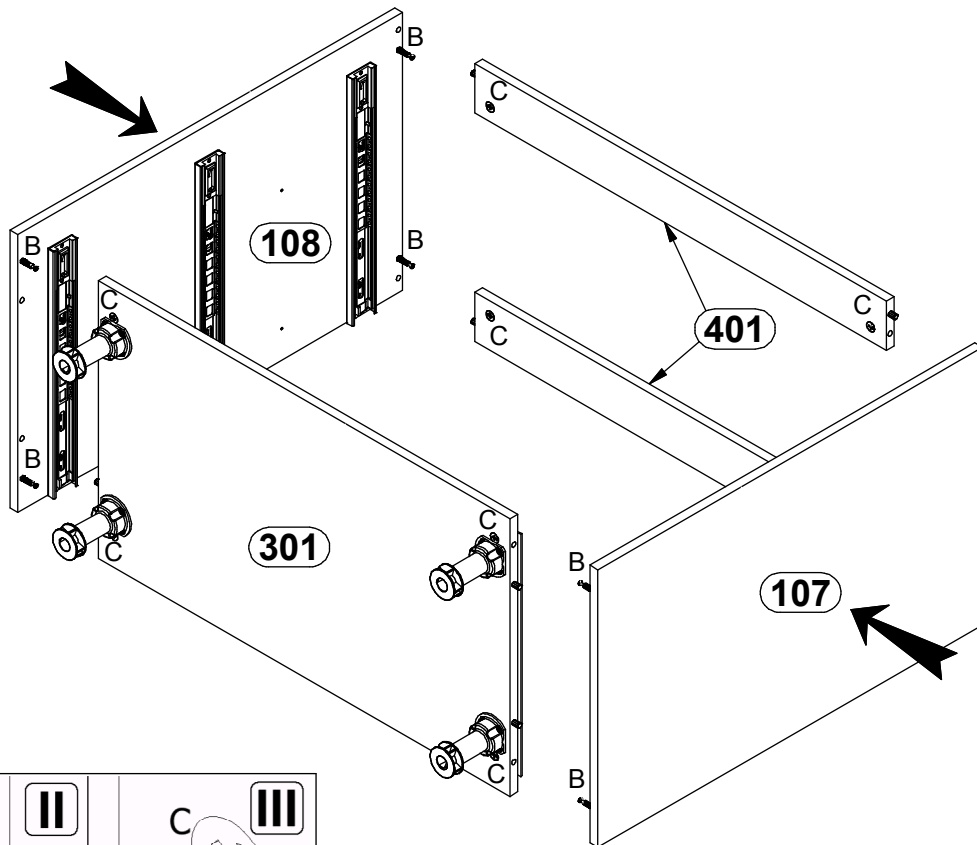
# 2



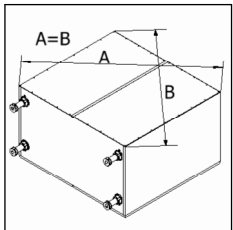
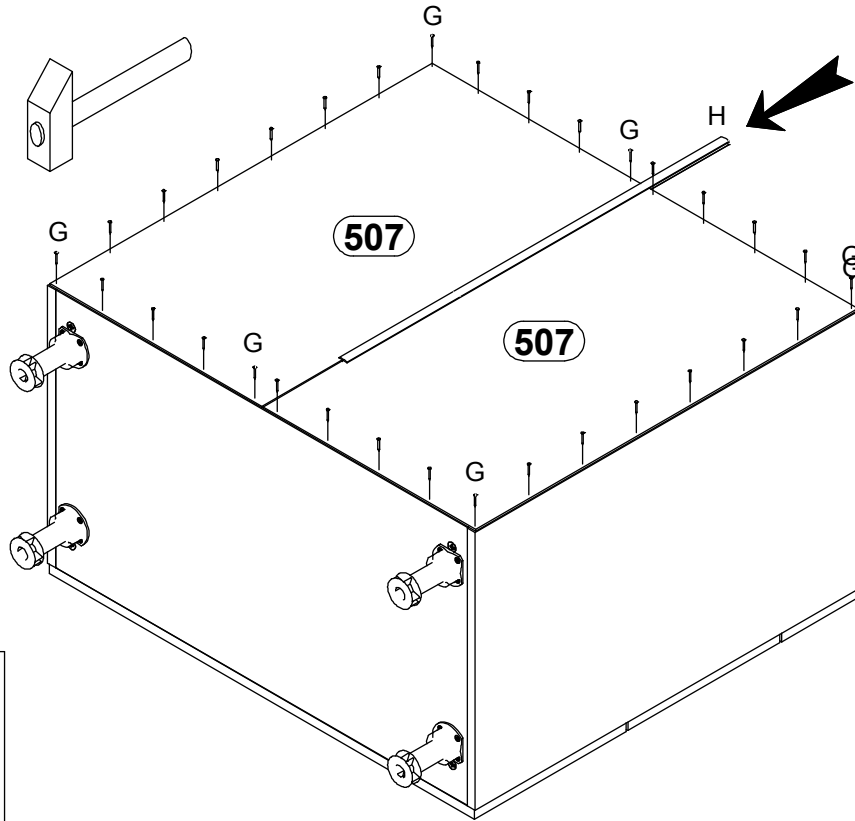
# 3



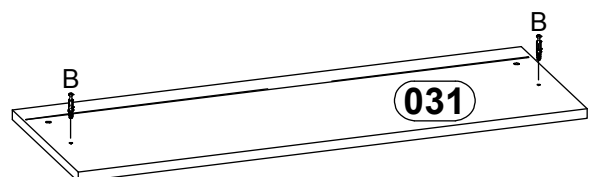
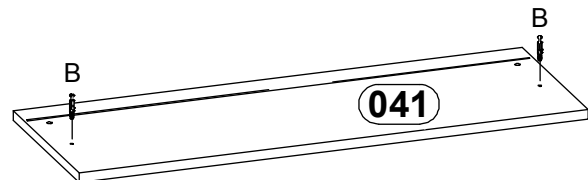
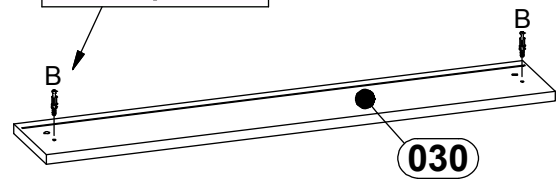
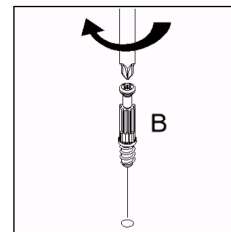
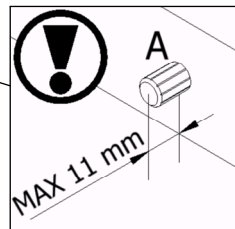
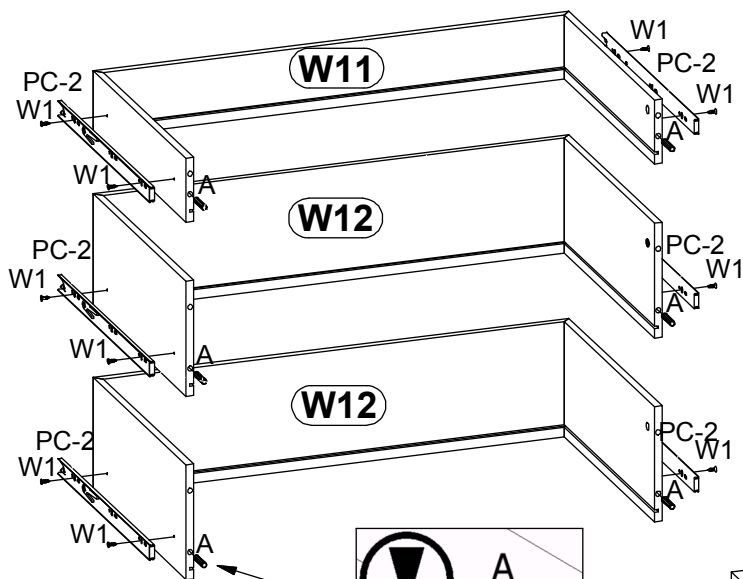
# 4

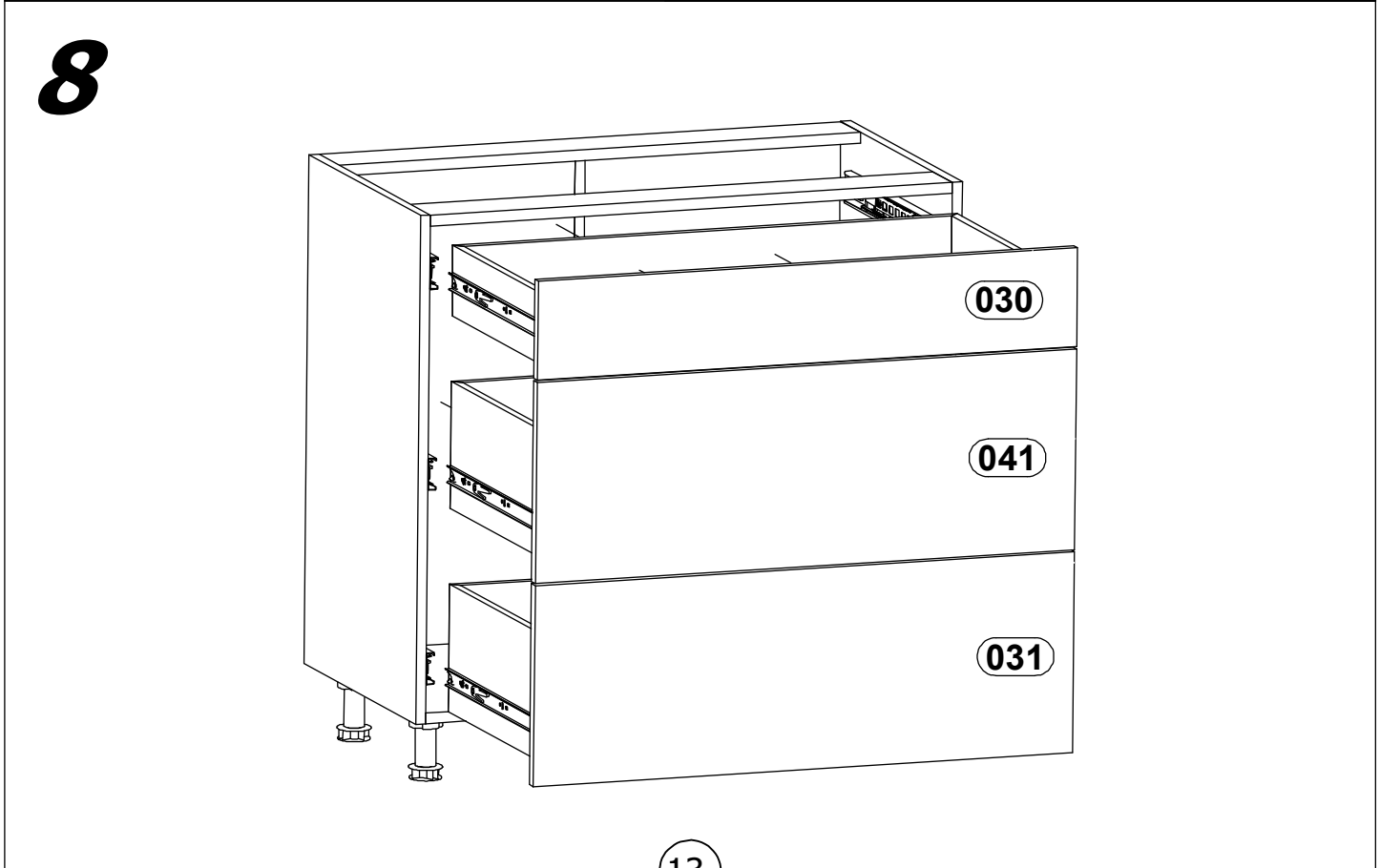
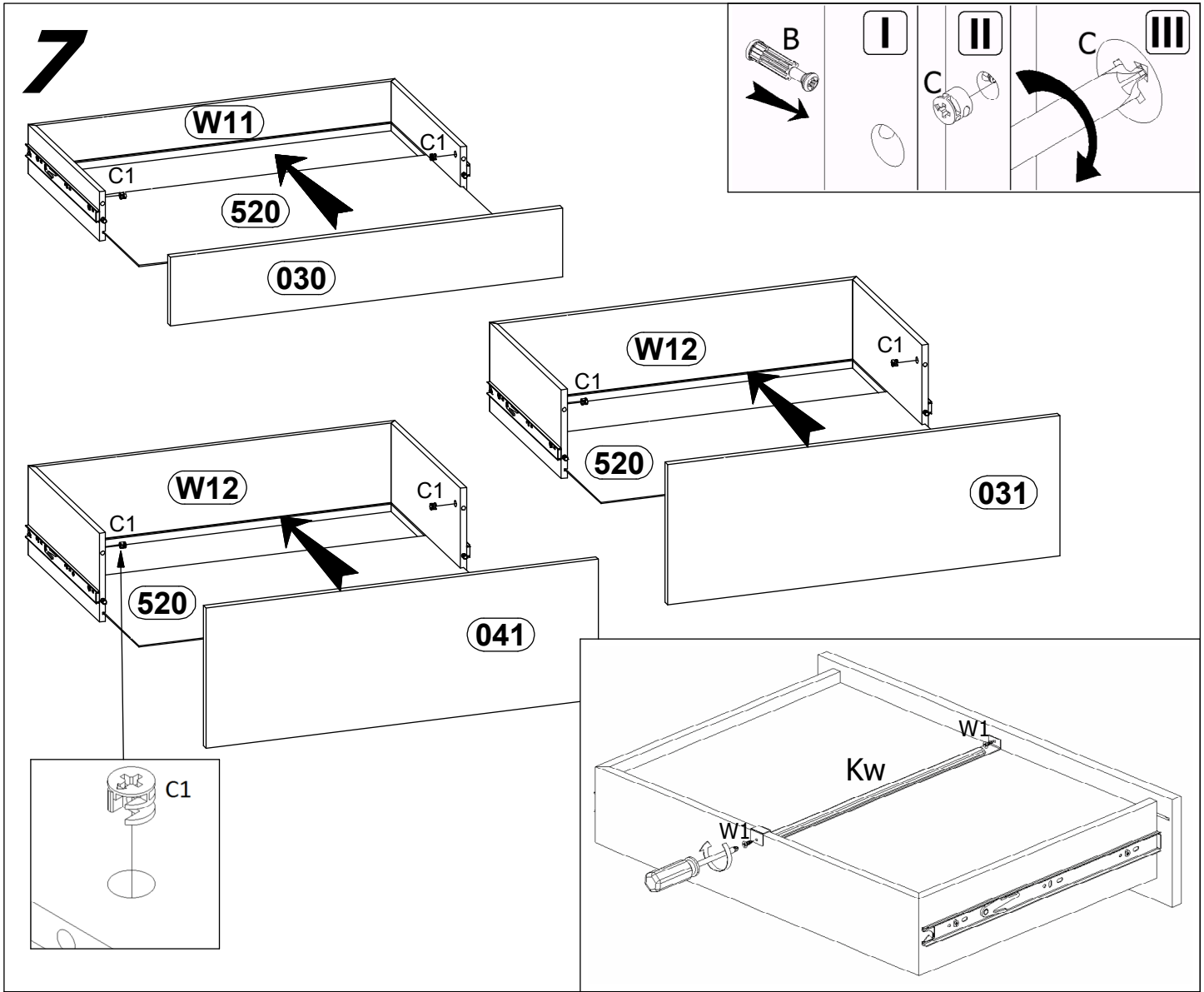


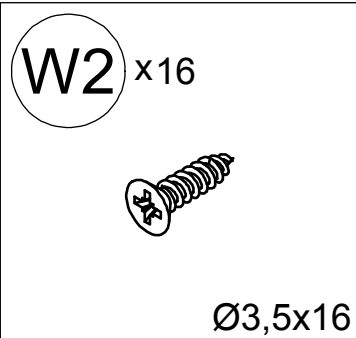
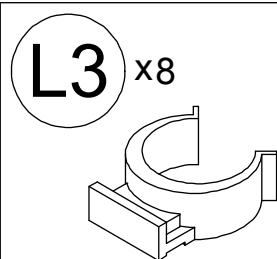
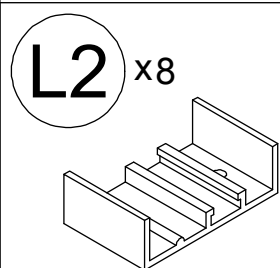
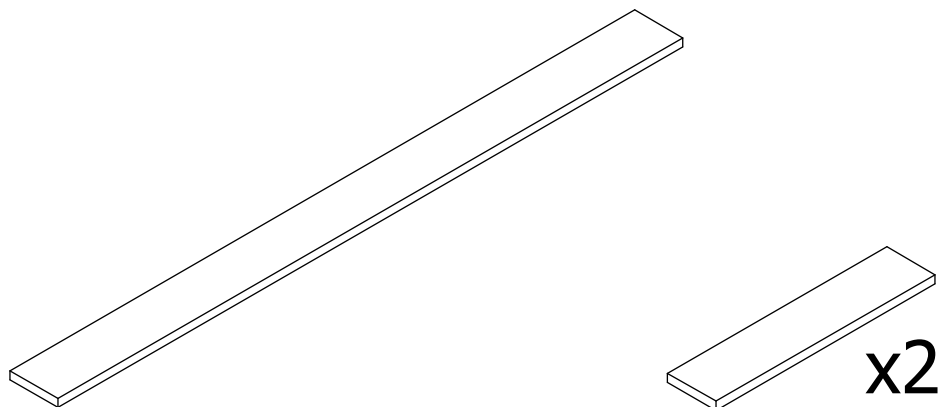
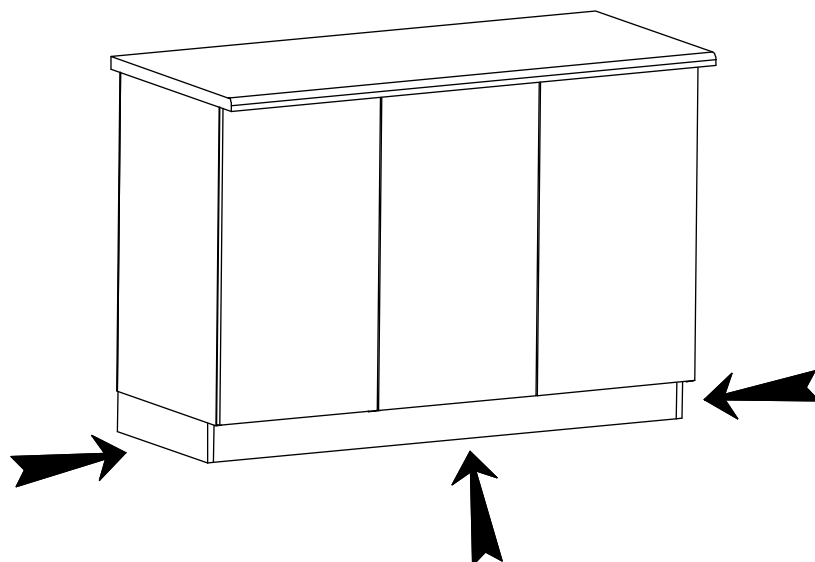
# 5



# 6

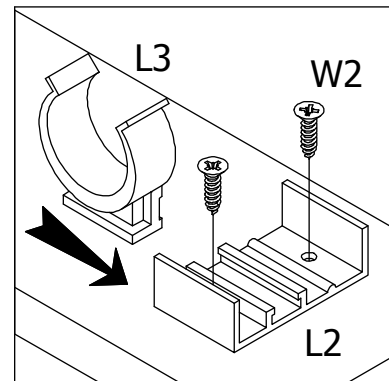
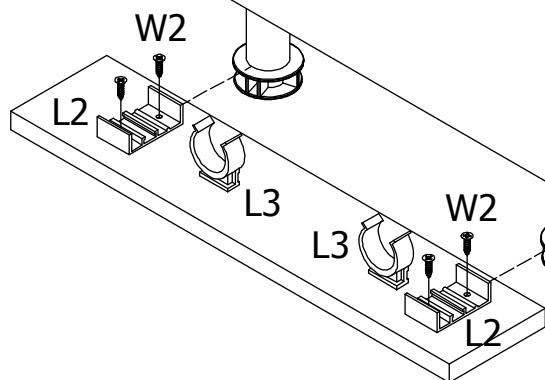








9



10

