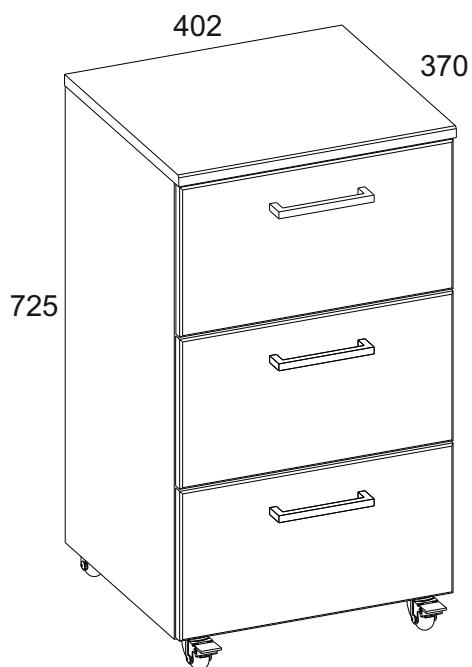
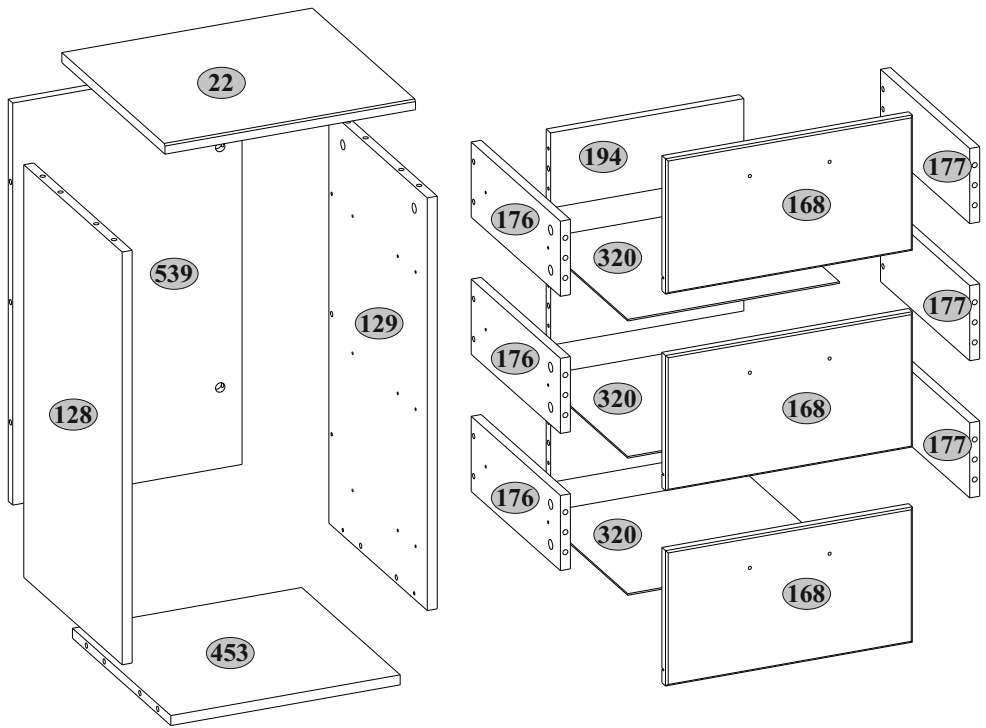




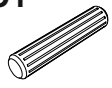
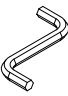


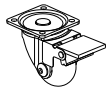

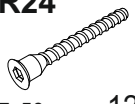




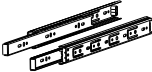
DORSI 3S

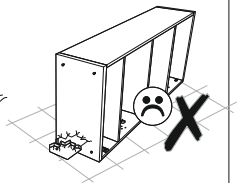
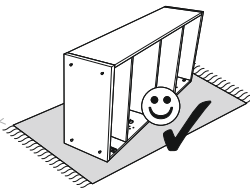
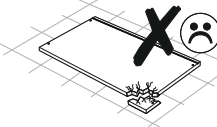
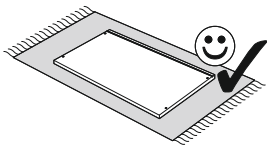
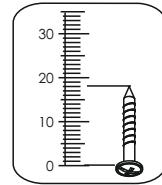
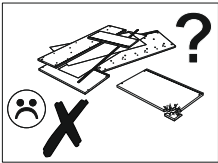
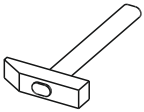
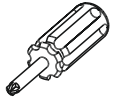
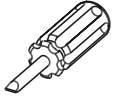
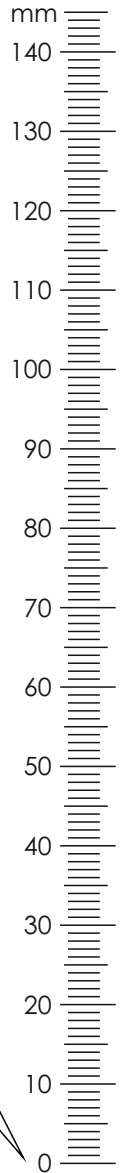




| | L, mm | B, mm | H, mm | Q | |
|-----|-------|-------|-------|---|-----|
| 22 | 402 | 370 | 16 | 1 | 1/1 |
| 128 | 659 | 353 | 16 | 1 | 1/1 |
| 129 | 659 | 353 | 16 | 1 | 1/1 |
| 168 | 396 | 216 | 16 | 3 | 1/1 |
| 176 | 320 | 120 | 16 | 3 | 1/1 |
| 177 | 320 | 120 | 16 | 3 | 1/1 |
| 194 | 310 | 120 | 16 | 3 | 1/1 |
| 320 | 340 | 325 | 2,5 | 3 | 1/1 |
| 453 | 368 | 353 | 16 | 1 | 1/1 |
| 539 | 642 | 368 | 16 | 1 | 1/1 |



| | | | |
|--|--|---|---|
| A1  7x34 24 | A2  Ø15x12 24 | C1  8x35 22 | I  S4 1 |
| H58  3 | N21  2 | N22  2 | R3  3x20 24 |
| R24  7x50 12 | R27  5,0x13 30 | R32  4x27 6 | R102  3,5x16 16 |
| S5  Ø18 12 | Z10  300 3 | | |



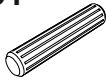
1

A1



7x34

C1



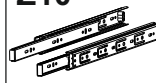
8 8x35

R27

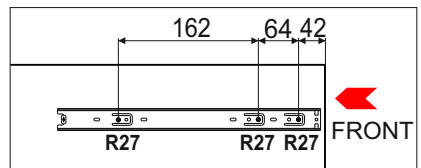
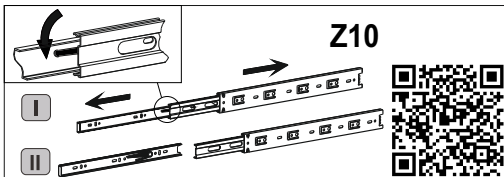
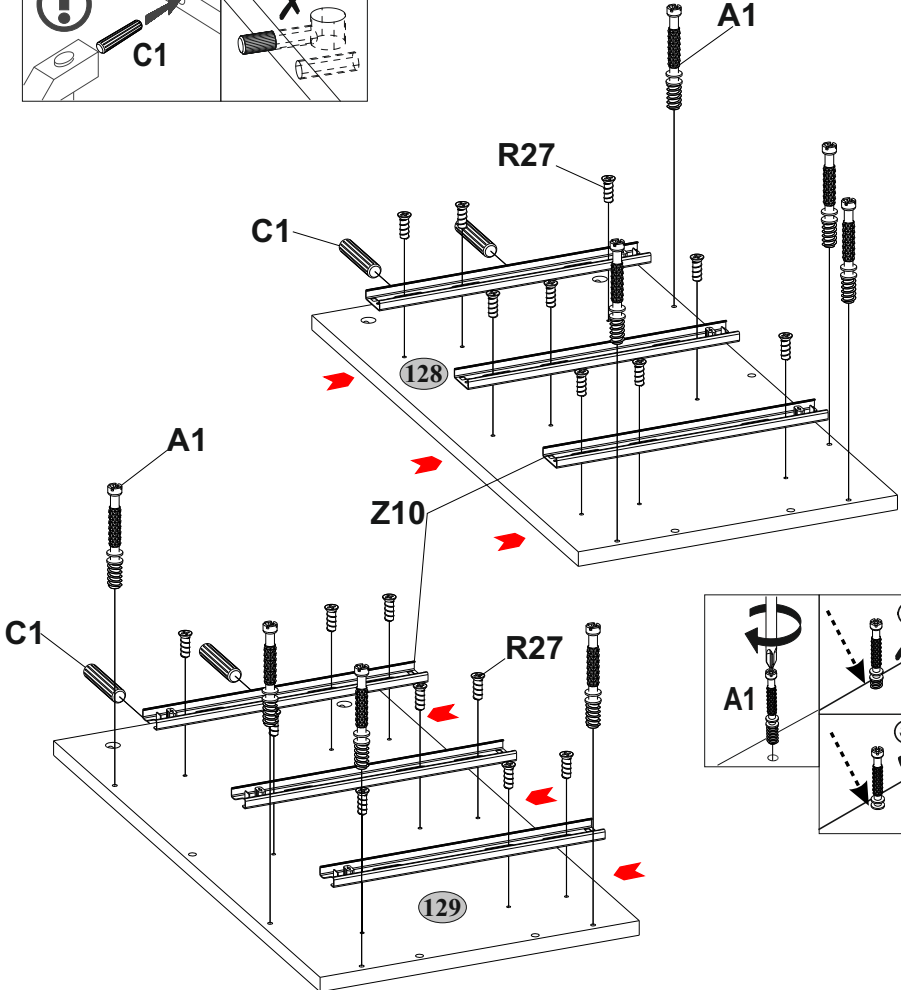
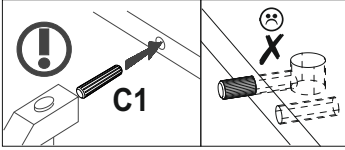


4 5,0x13

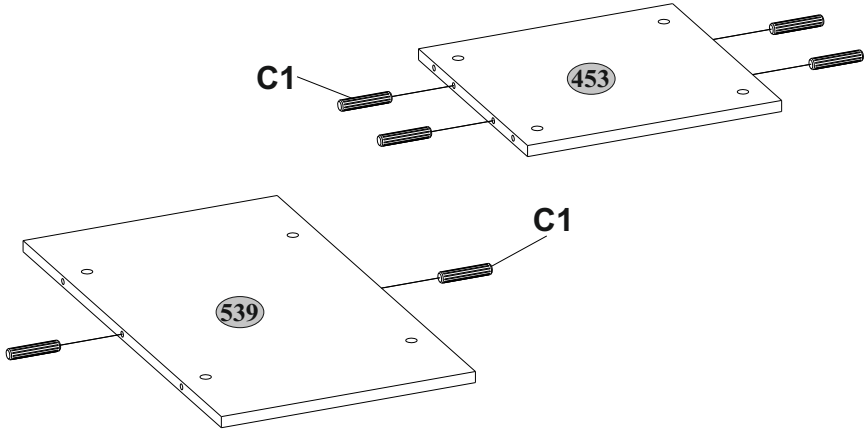
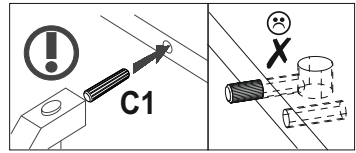
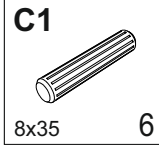
Z10



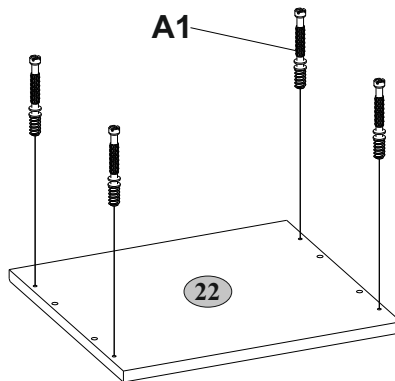
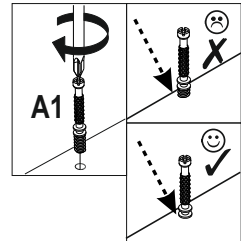
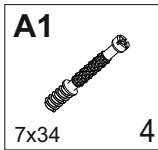
18 300 3



2



3



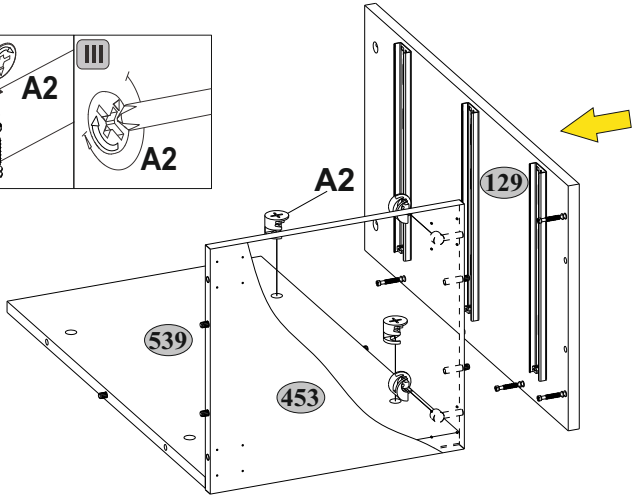
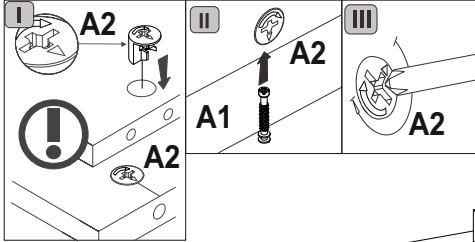
4

A2



Ø15x12

4



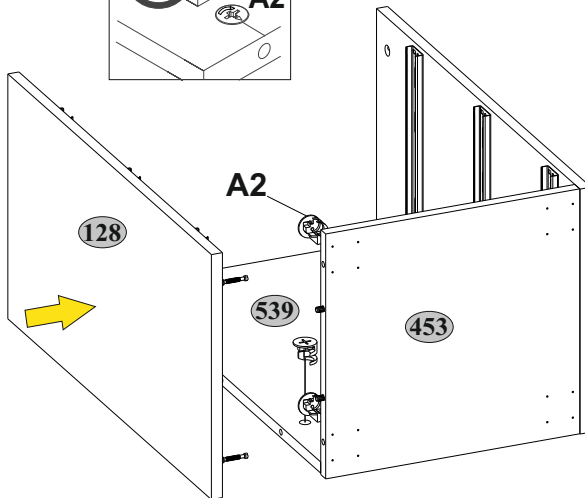
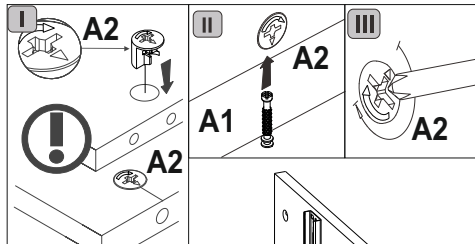
5

A2



Ø15x12

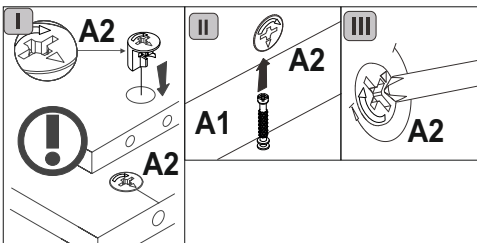
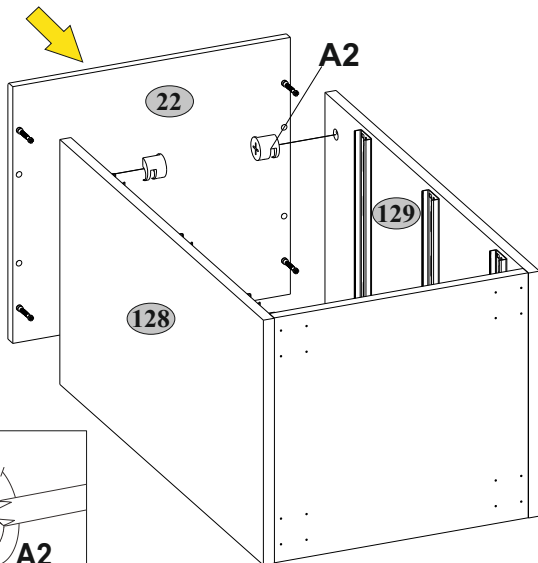
4



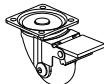
6**A2**

Ø15x12

4

**7****N21**

2

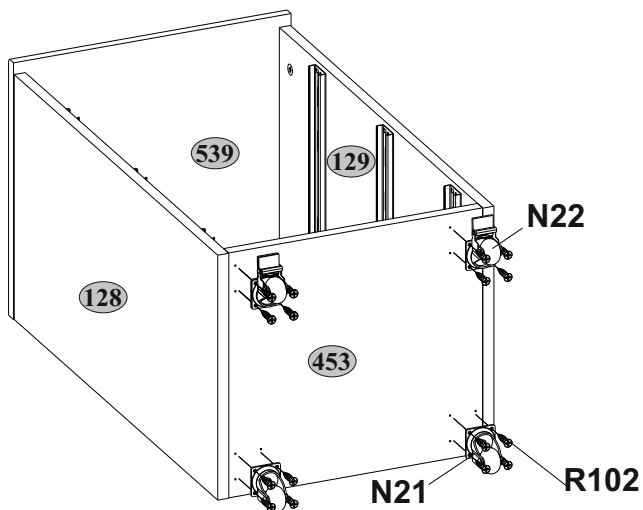
N22

2



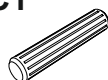
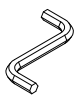





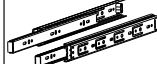
R102

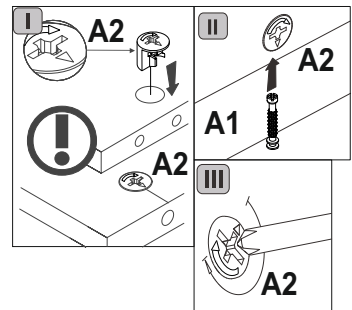
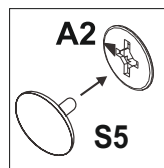
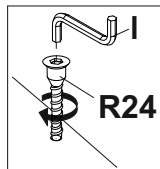
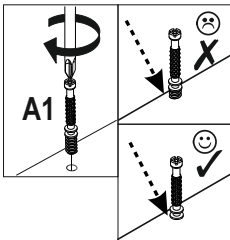
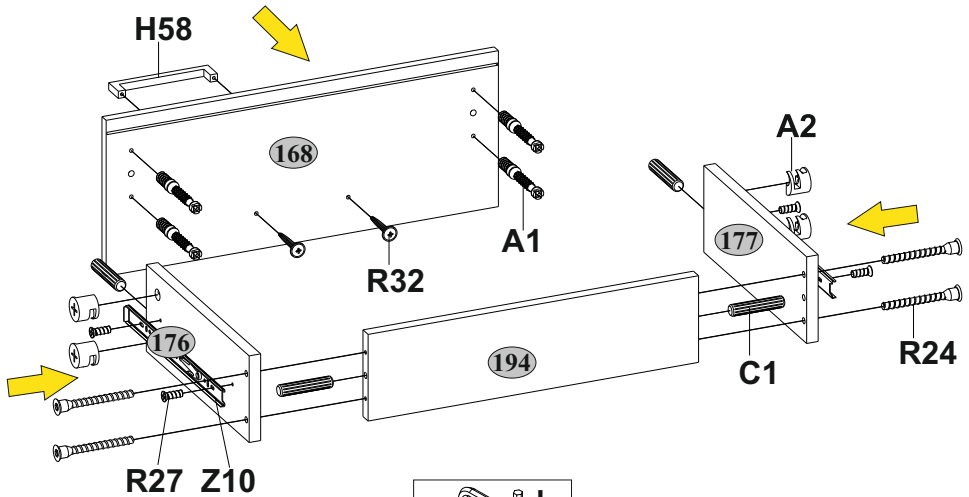
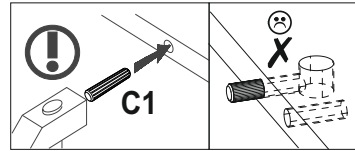
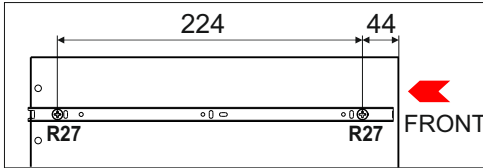
3,5x16

16



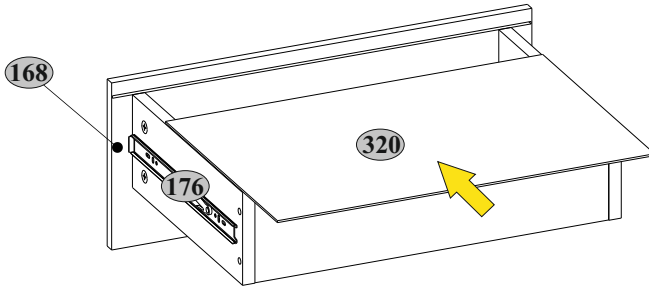
8**x3**

| | | | | |
|--|--|---|--|--|
| A1  7x34 12 | A2  Ø15x12 12 | C1  8x35 12 | I  S4 1 | H58  3 |
| R24  7x50 12 | R27  5,0x13 12 | R32  4x27 6 | S5  Ø18 12 | Z10  300 3 |



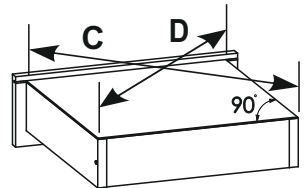
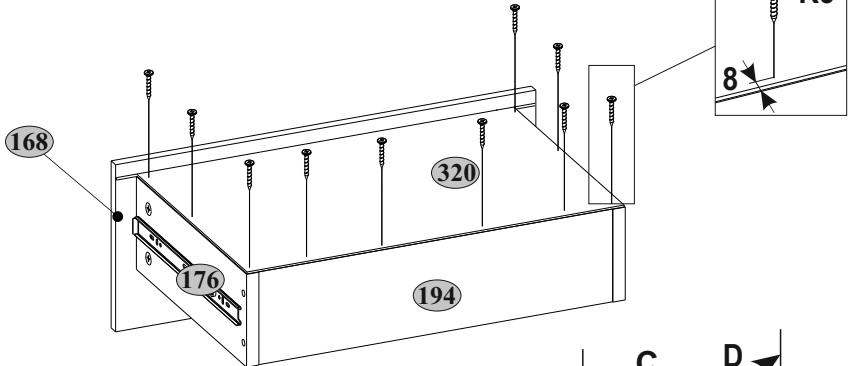
9

x3

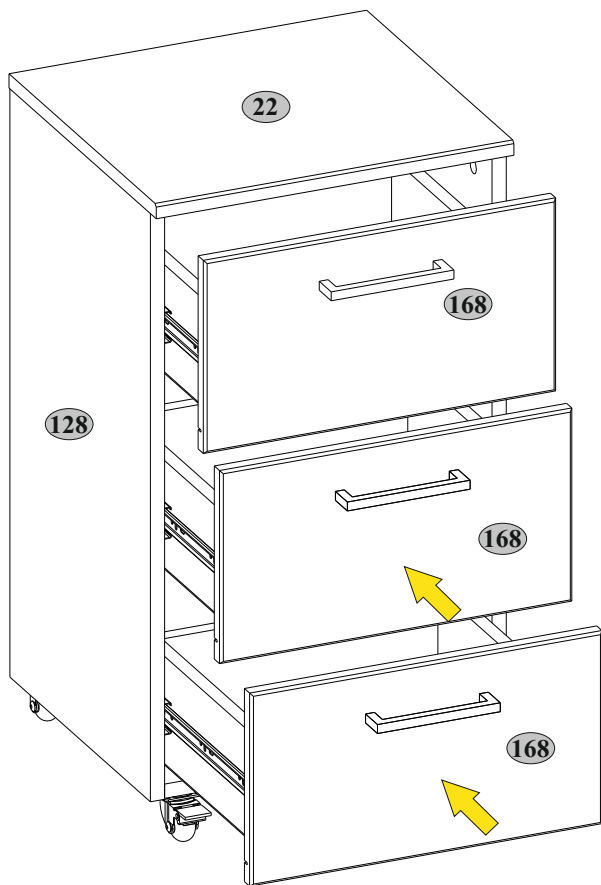


10

x3



11



22 168  max. 5 kg