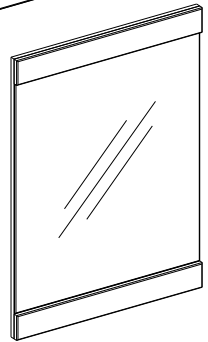
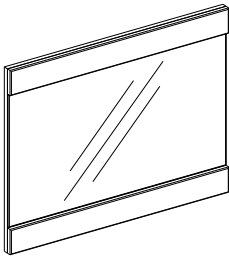
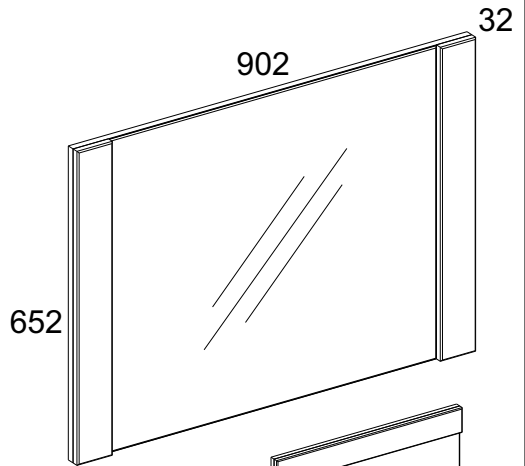
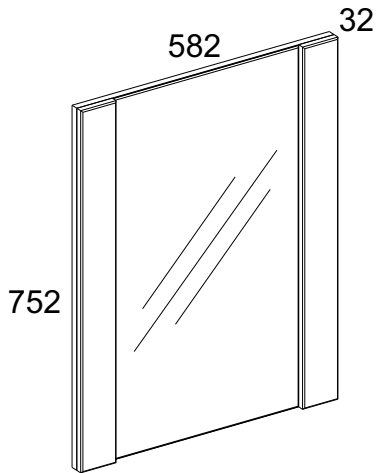


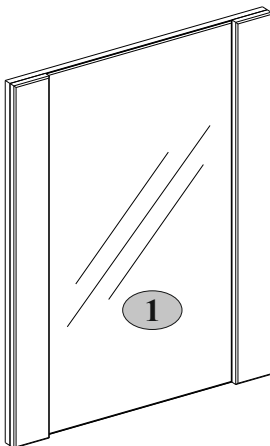
DORSI 60/90



60

A

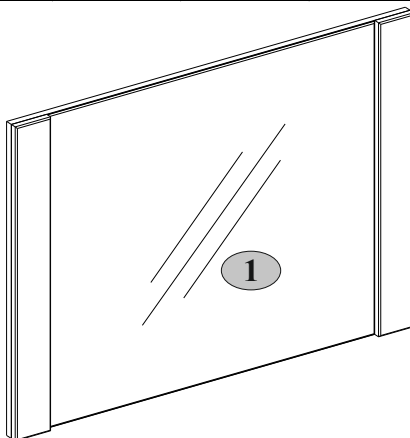
	L, mm	B, mm	H, mm	Q	
1	752	582	1	32	1/1

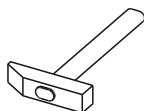
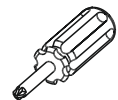
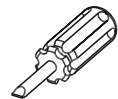
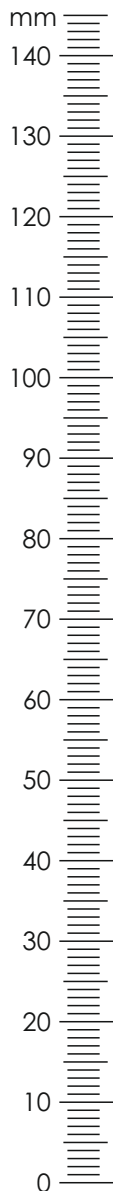





90

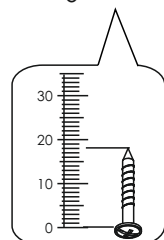
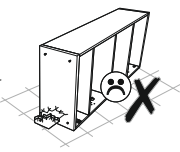
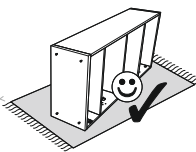
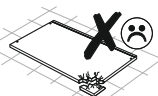
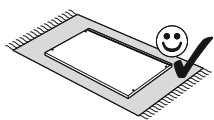
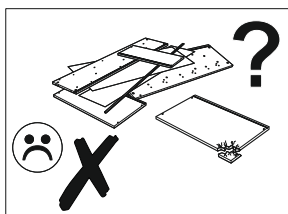
B

	L, mm	B, mm	H, mm	Q	
1	902	652	1	32	1/1

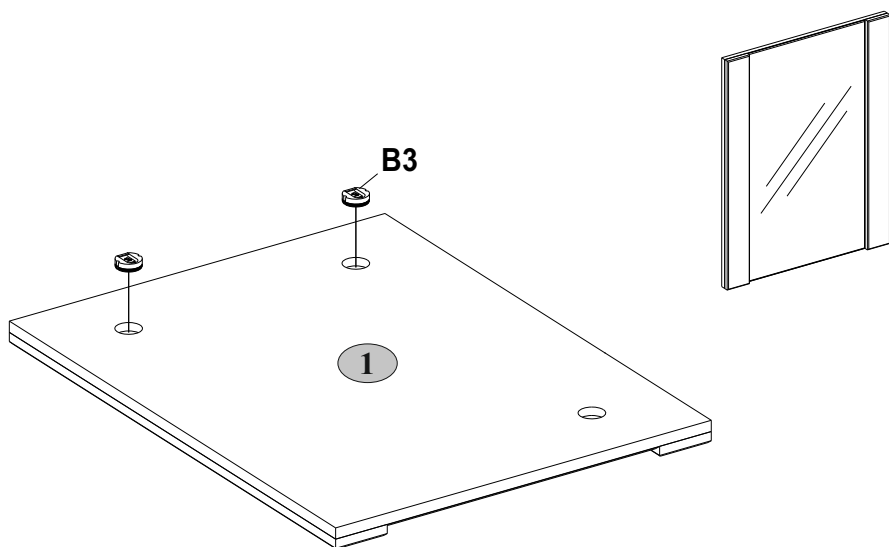
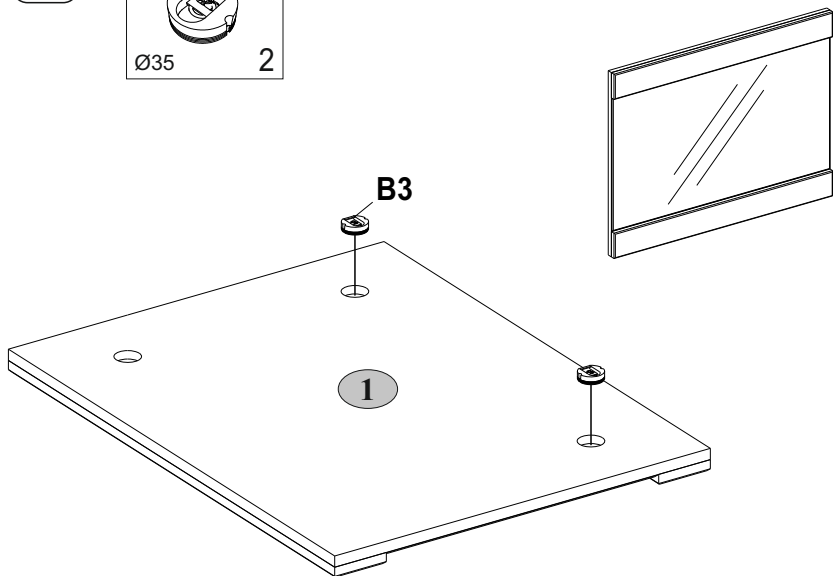
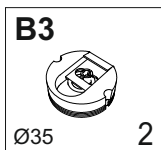




B3	B5	R27
		
Ø35	2	10x50
2	2	5,0x13
		4

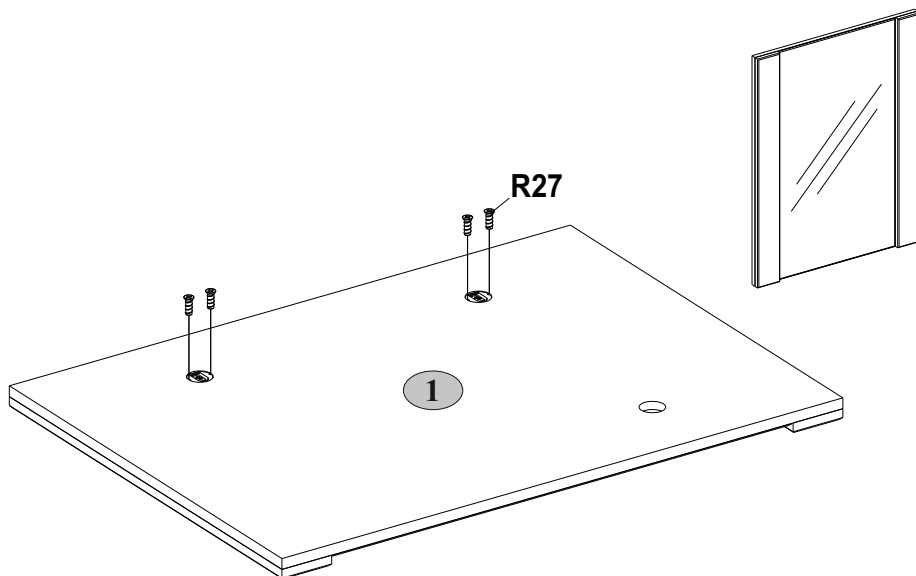
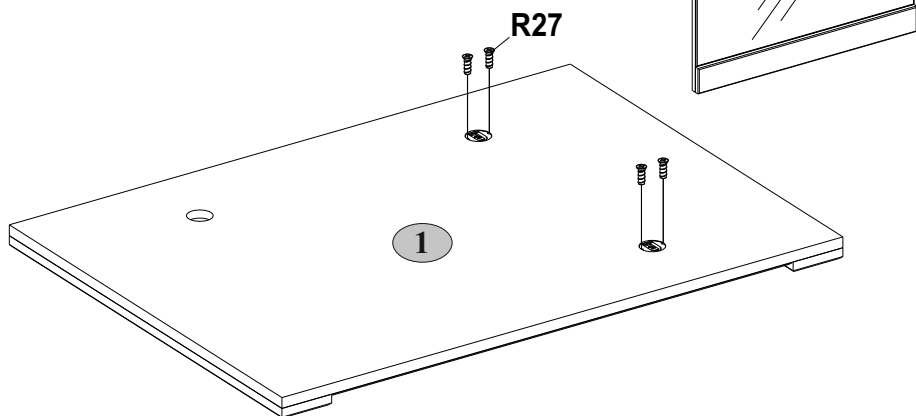


1



2

R27
5,0x13 4



3

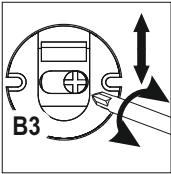
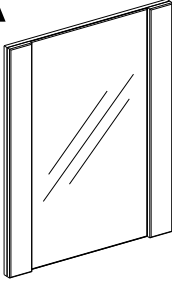
B5



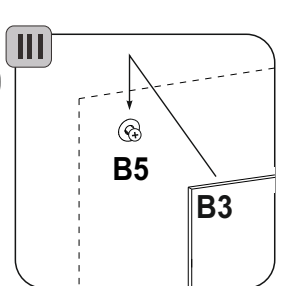
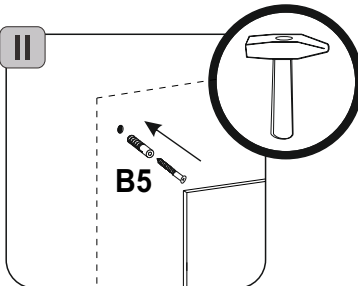
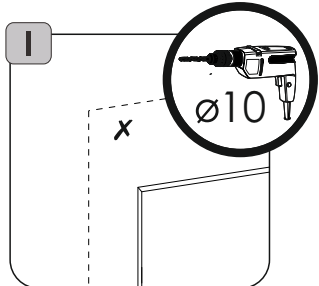
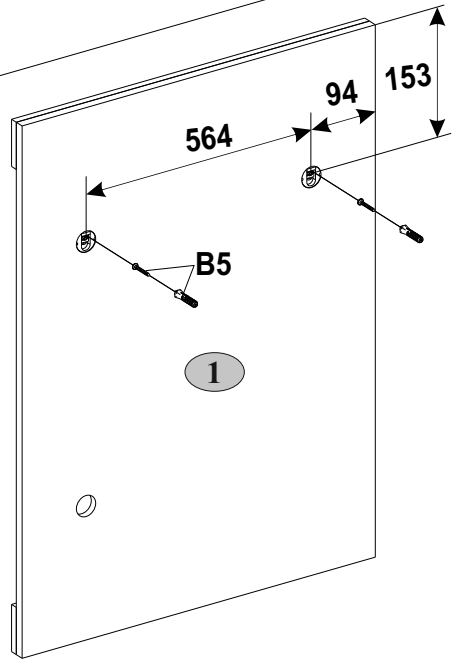
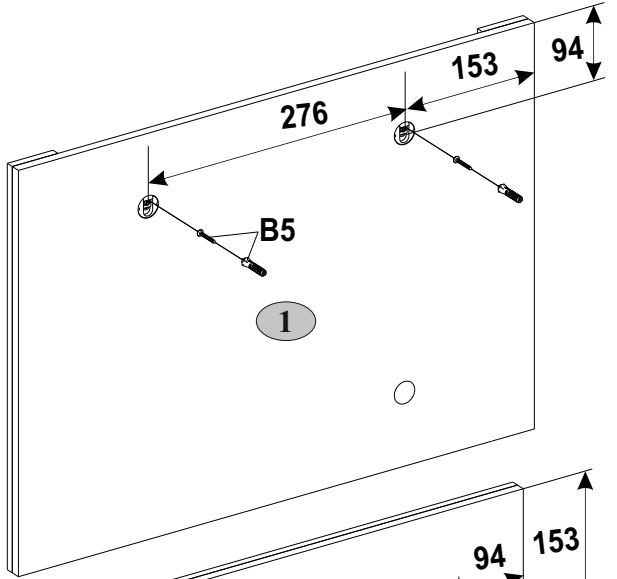
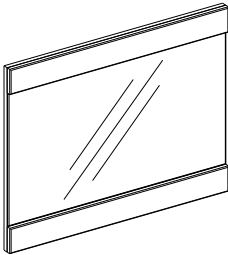
10x50

2

A



A



4

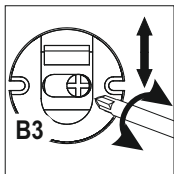
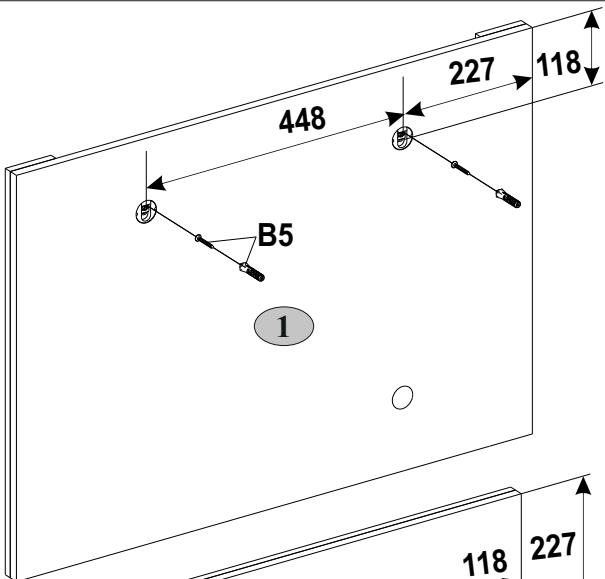
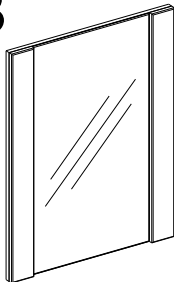
B5



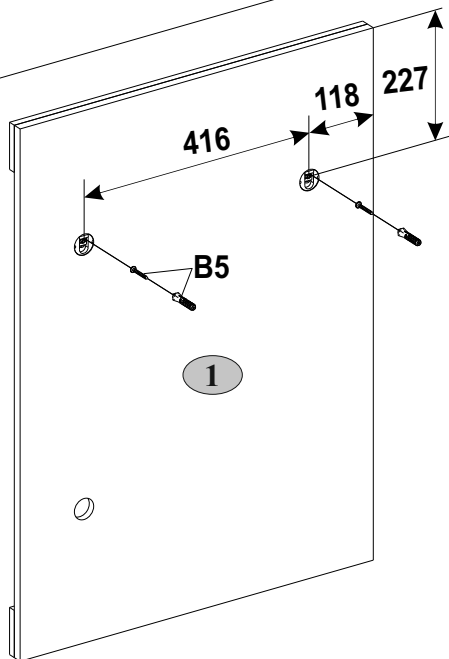
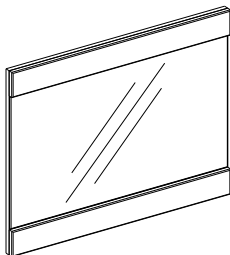
10x50

2

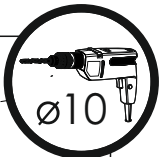
B



B

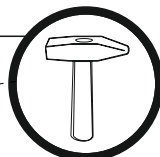


I



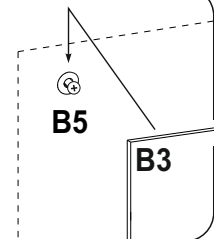
x

II



B5

III



B5

B3

