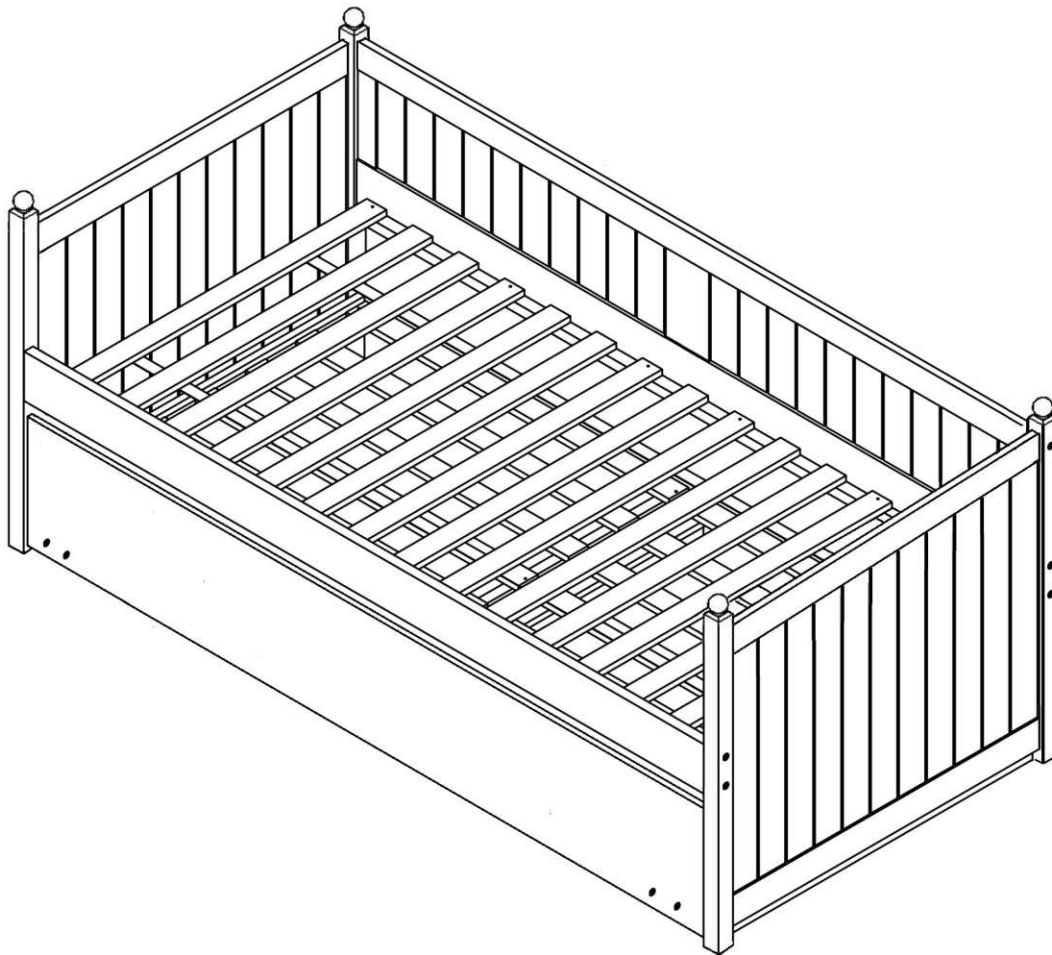
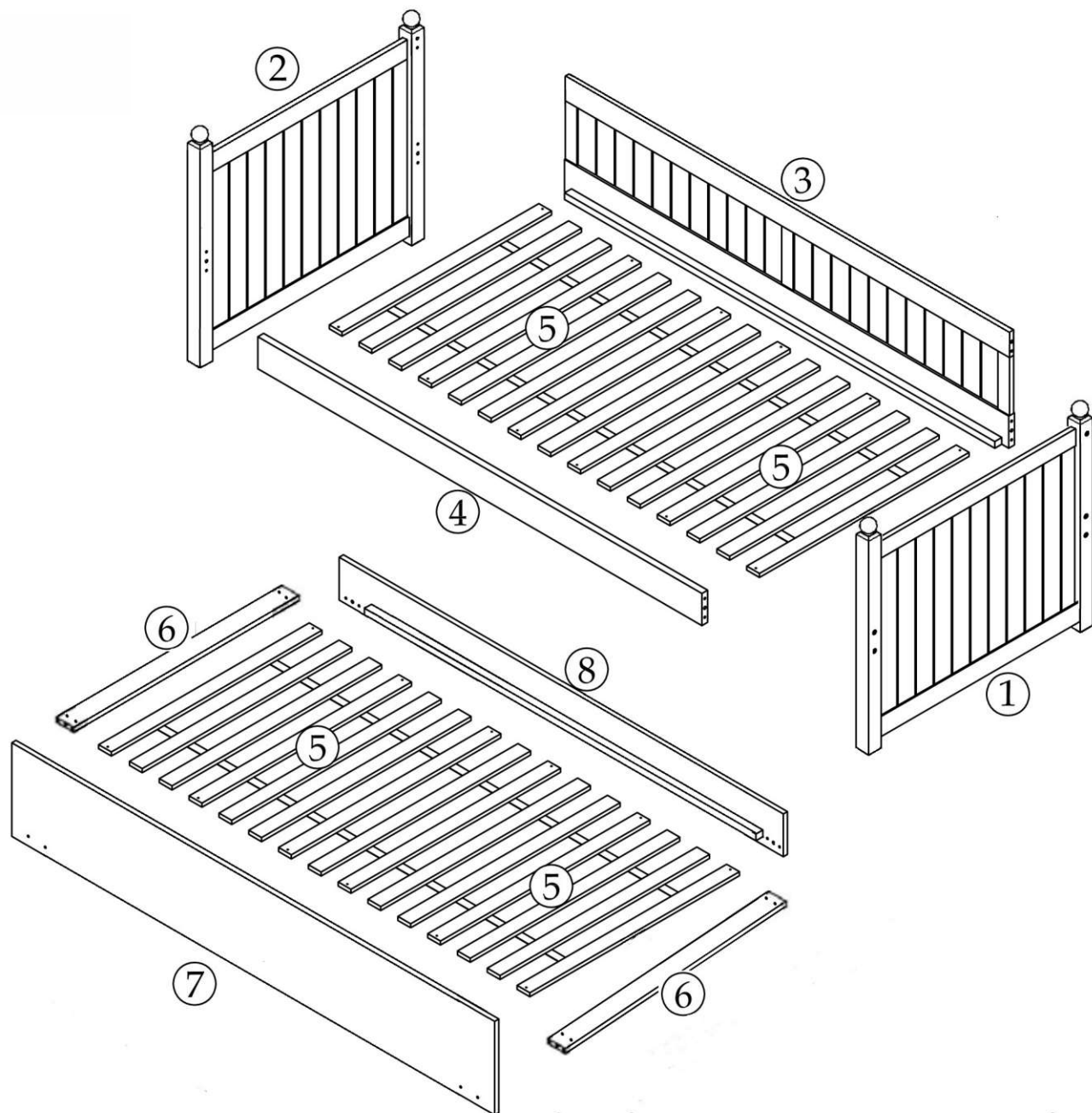

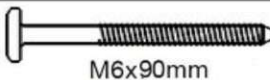


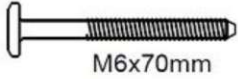



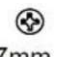
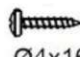

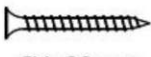




GLAMIS B1187

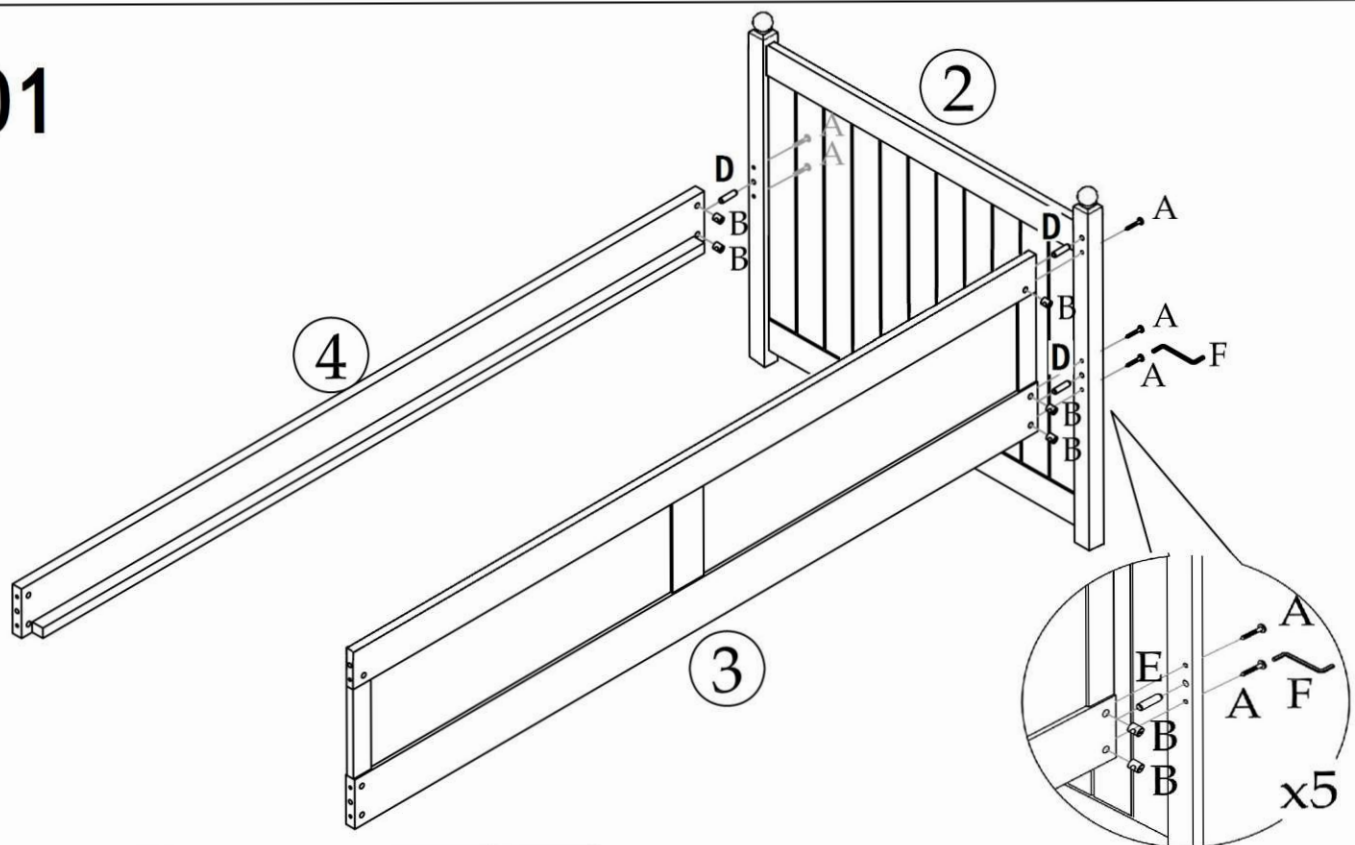







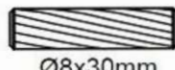
A	 15mm	 M6x90mm	10
B			18
C	 15mm	 M6x70mm	08
D		 Ø8x30mm	10
E			01

F			04
G	 7mm	 Ø4x16mm	08
H	 8mm	 Ø4x30mm	72
I	 15mm		14

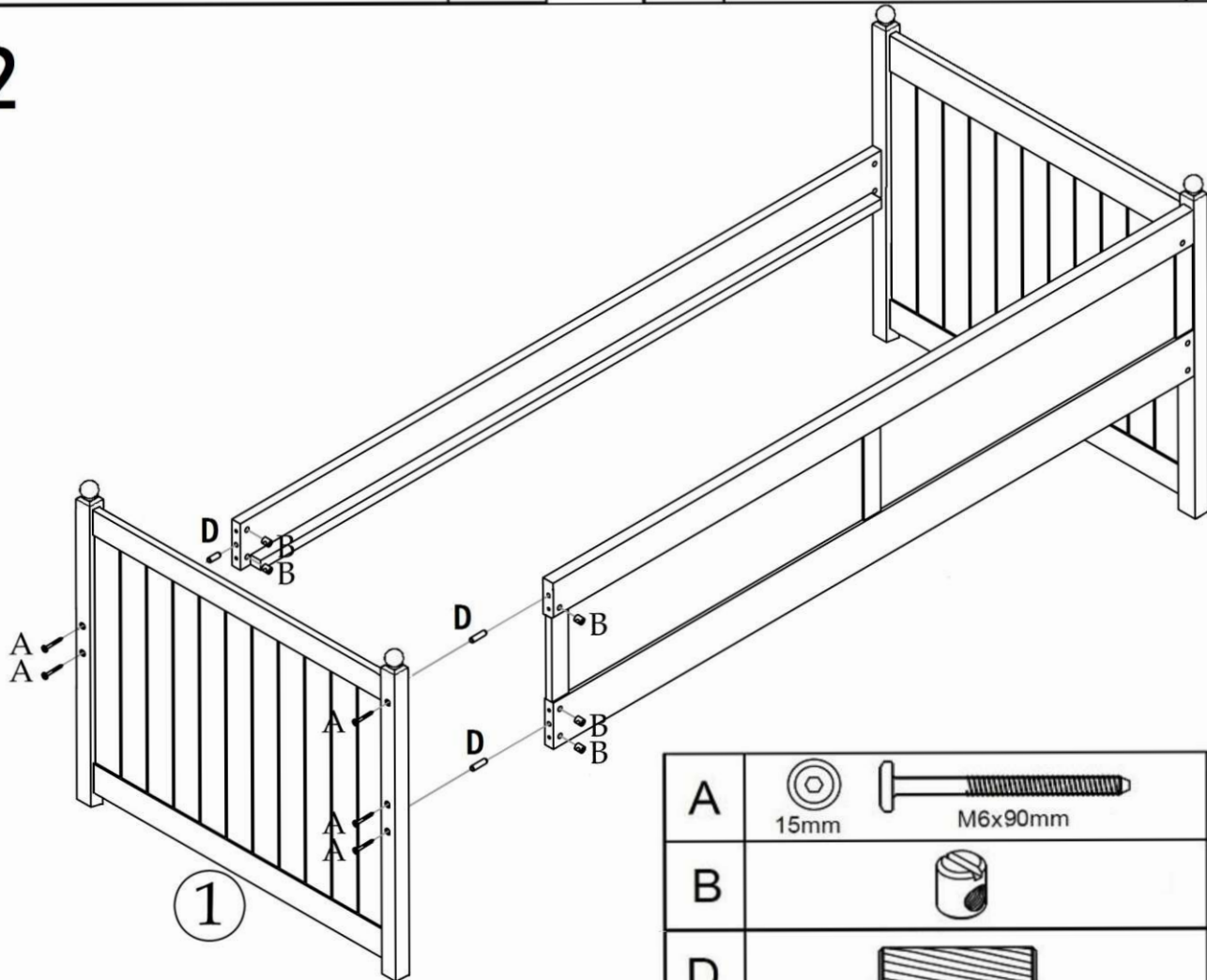
01




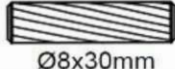


A	 15mm	 M6x90mm	05
B			05

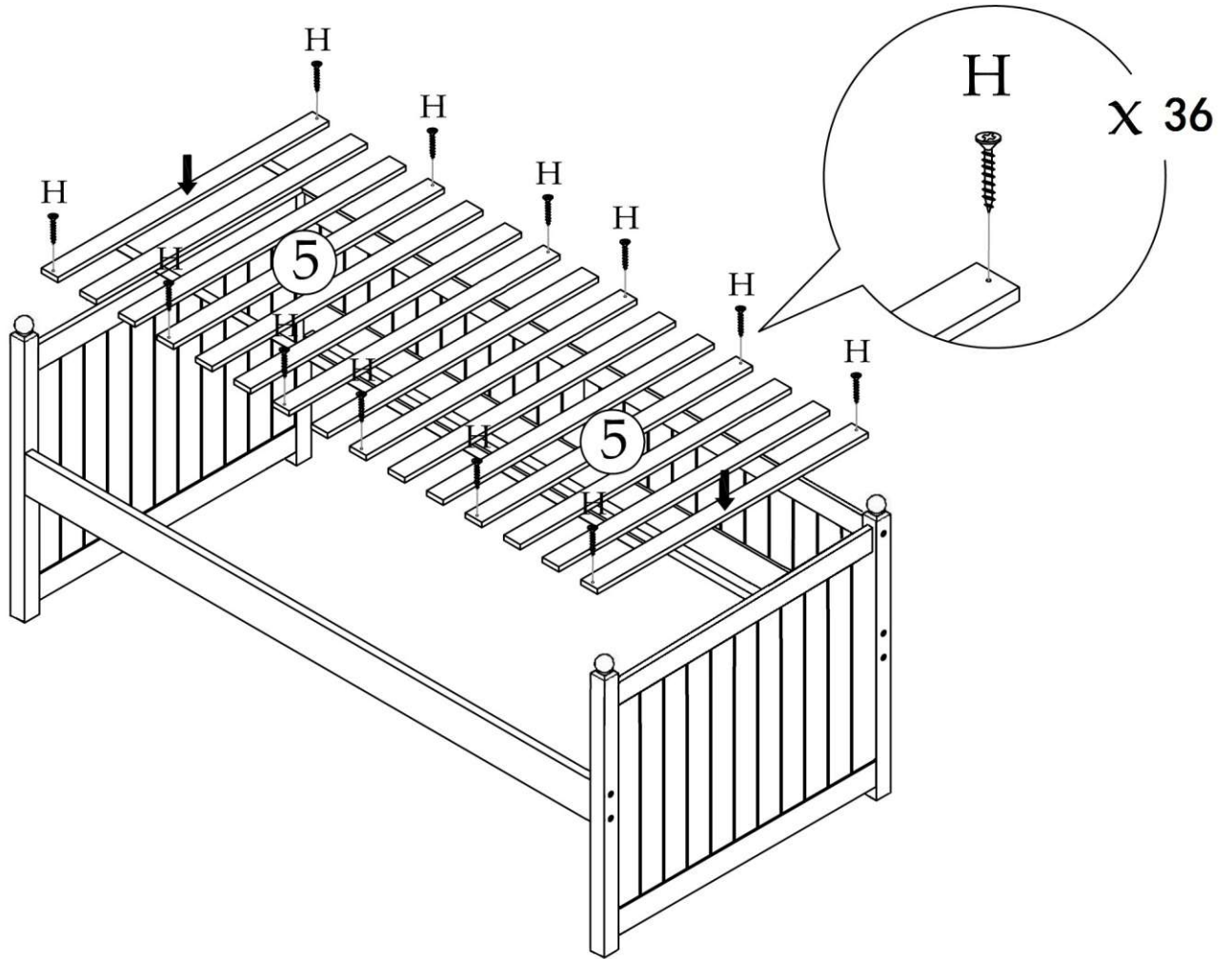
D	 Ø8x30mm	03
---	---	----


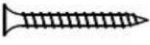
02



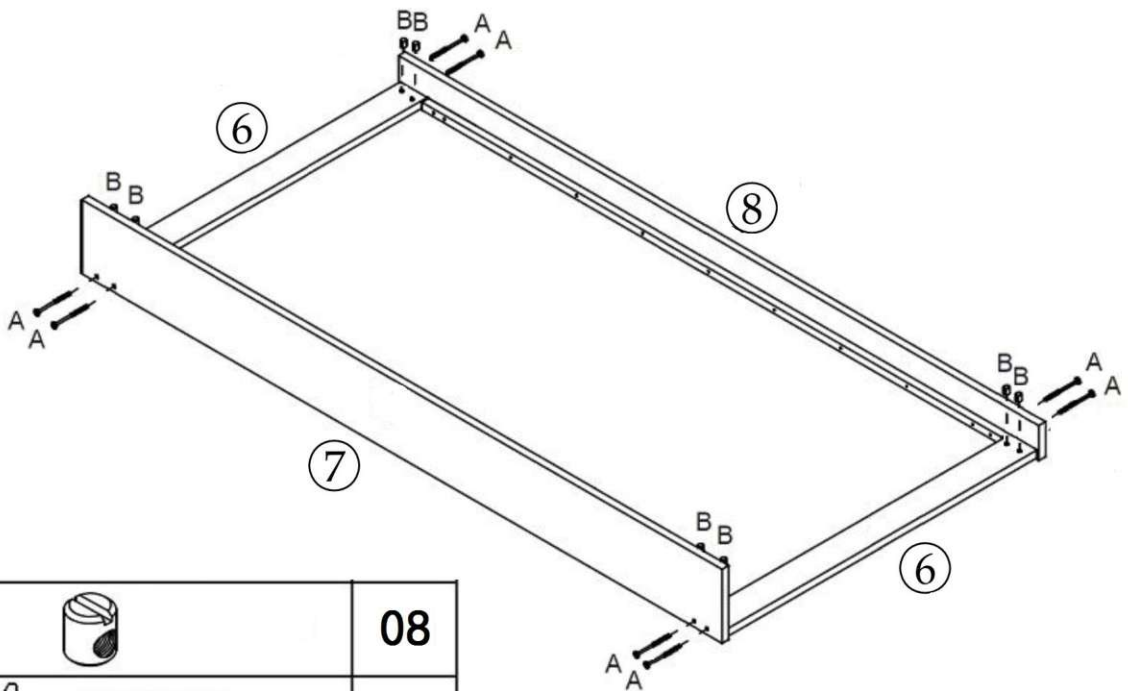
A	 15mm	 M6x90mm	05
B			05
D	 Ø8x30mm		03


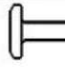

03



H			36
	8mm	Ø4x30mm	

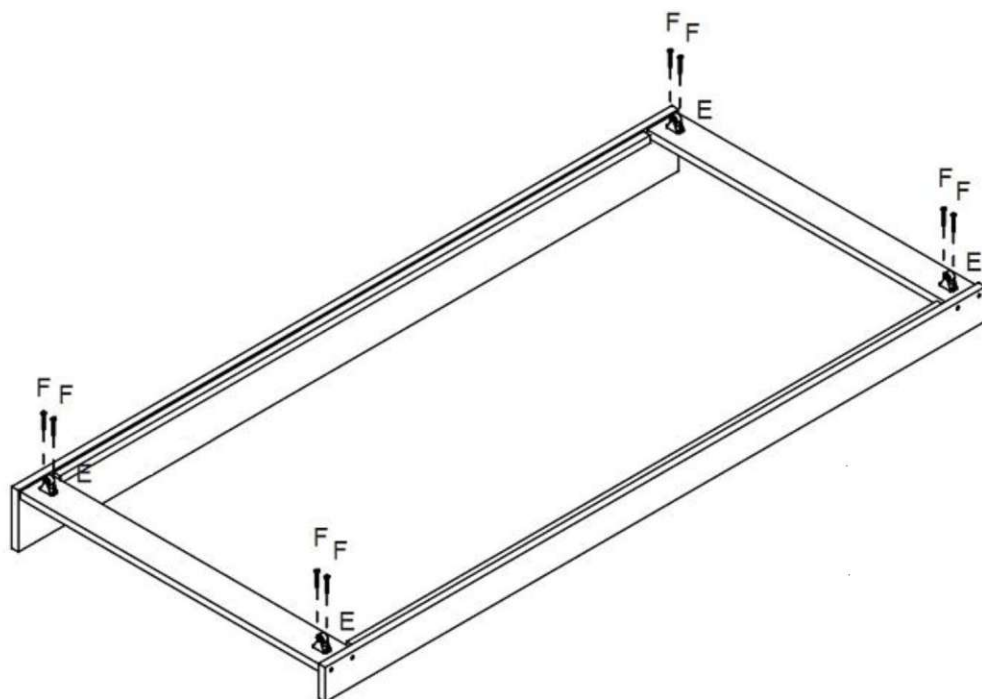
04



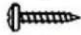


B		08
C		08
	15mm	M6x70mm
D		04
	Ø8x30mm	

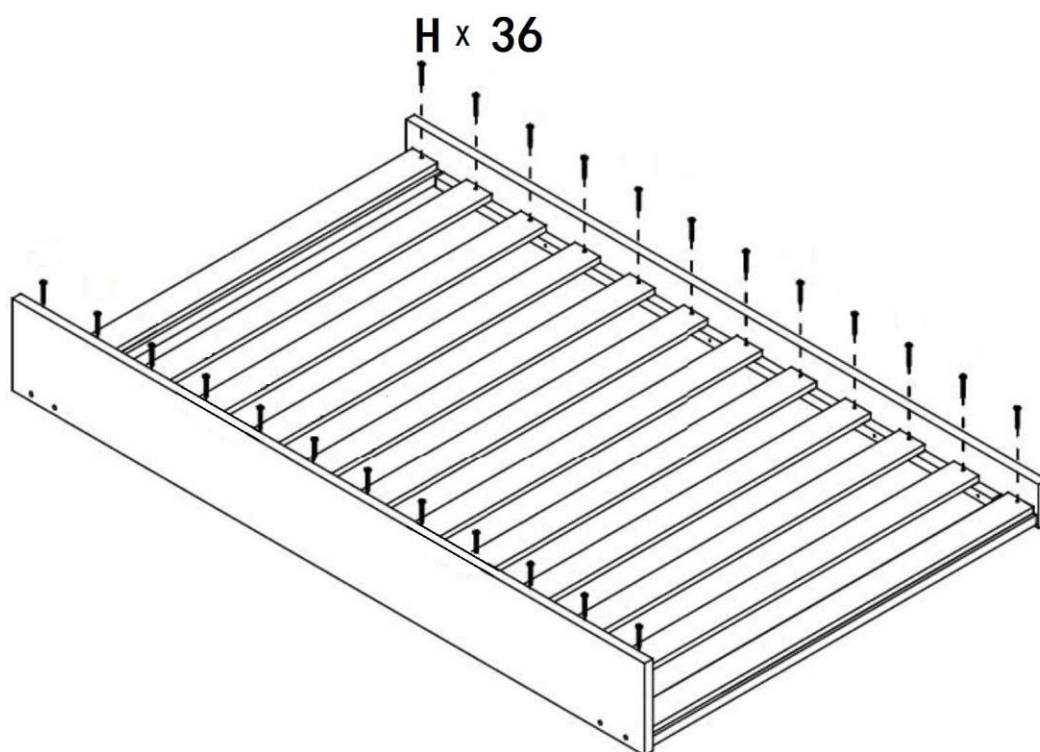
06


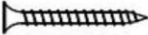
05



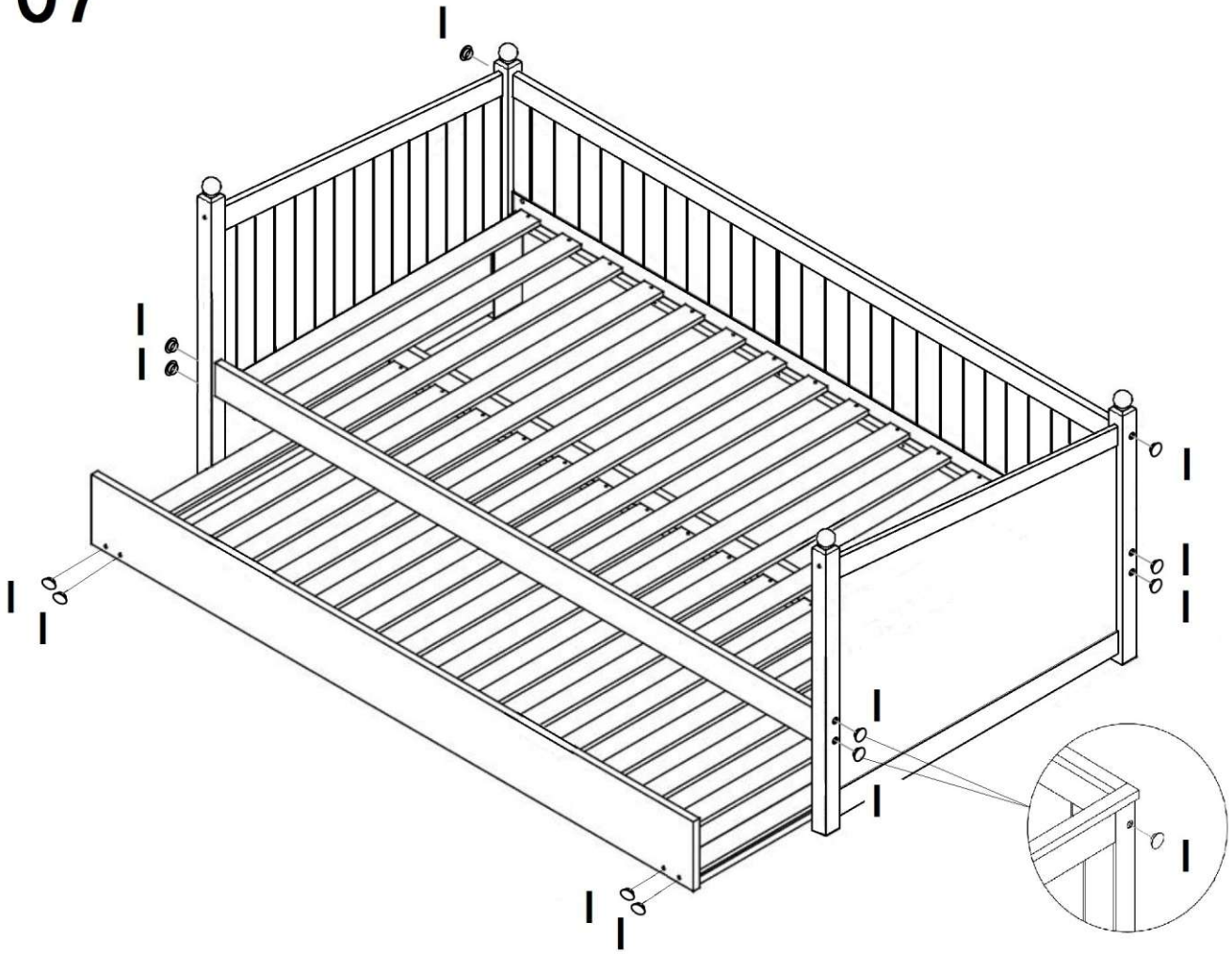
F		04
G	 7mm 	08



06



H	 8mm 	36
---	---	----

07



I	 15mm		14
---	---	---	----