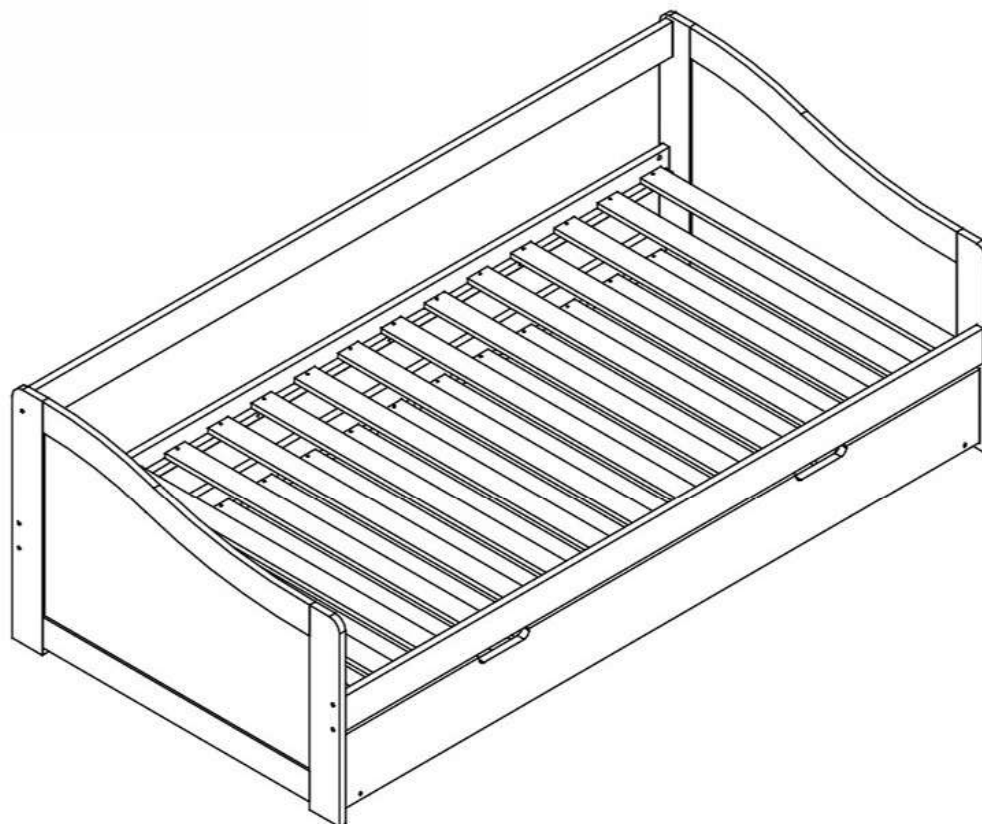







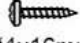


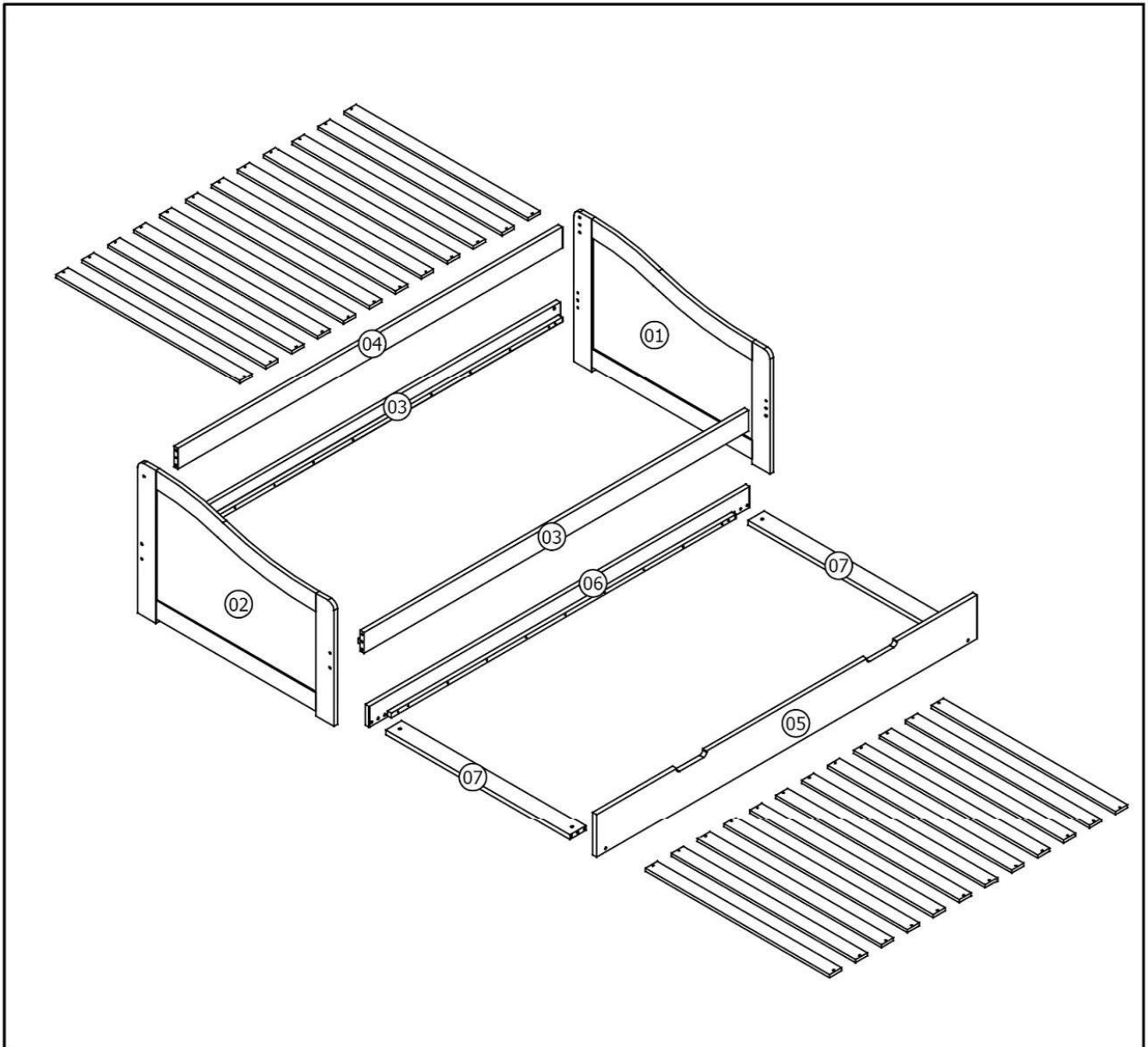


INTRO B1226

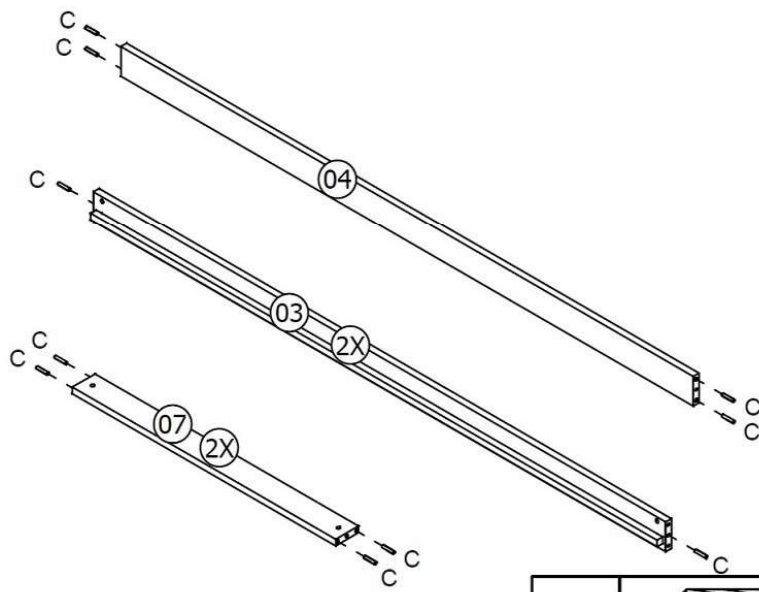



A	 15mm	 M6x70mm	14
B			14
C	 Ø8x30mm		16
D			01

E			04
F	 7mm	 Ø4x16mm	08
G	 8mm	 Ø4x30mm	48

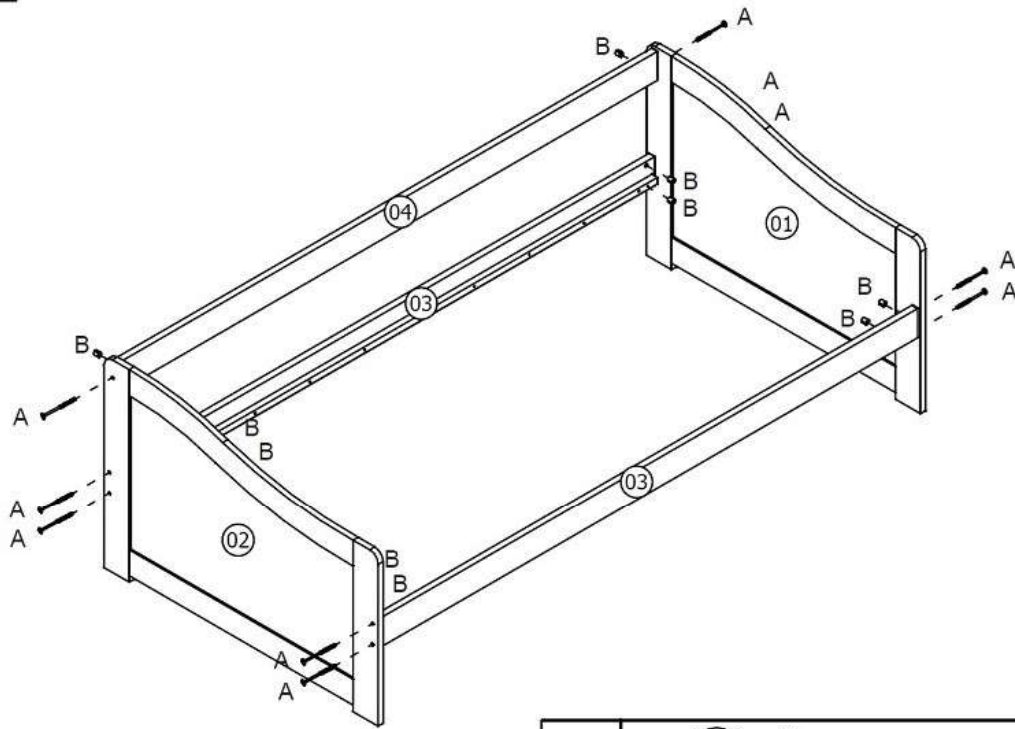



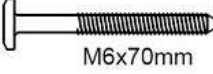

01



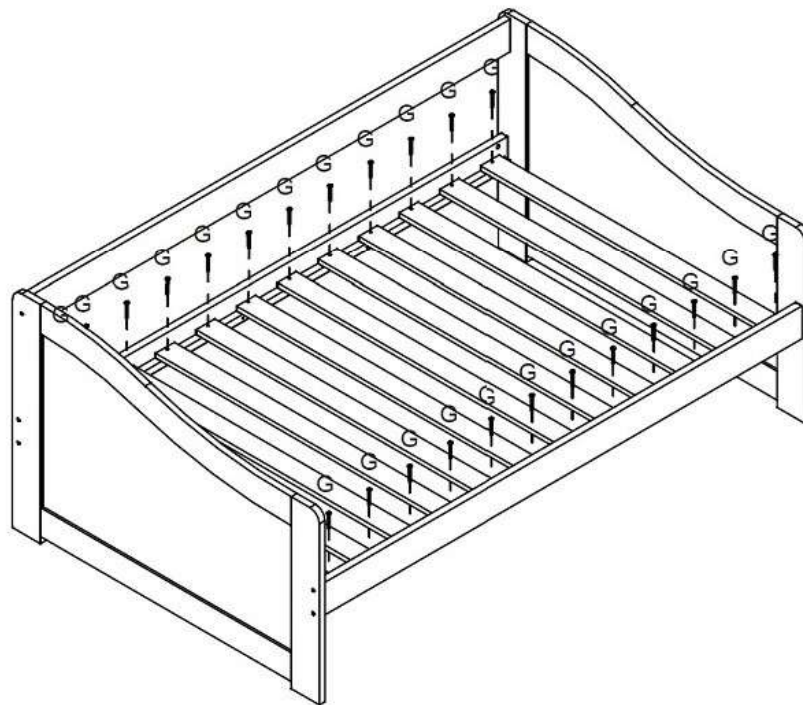
L		16
	Ø8x30mm	


02



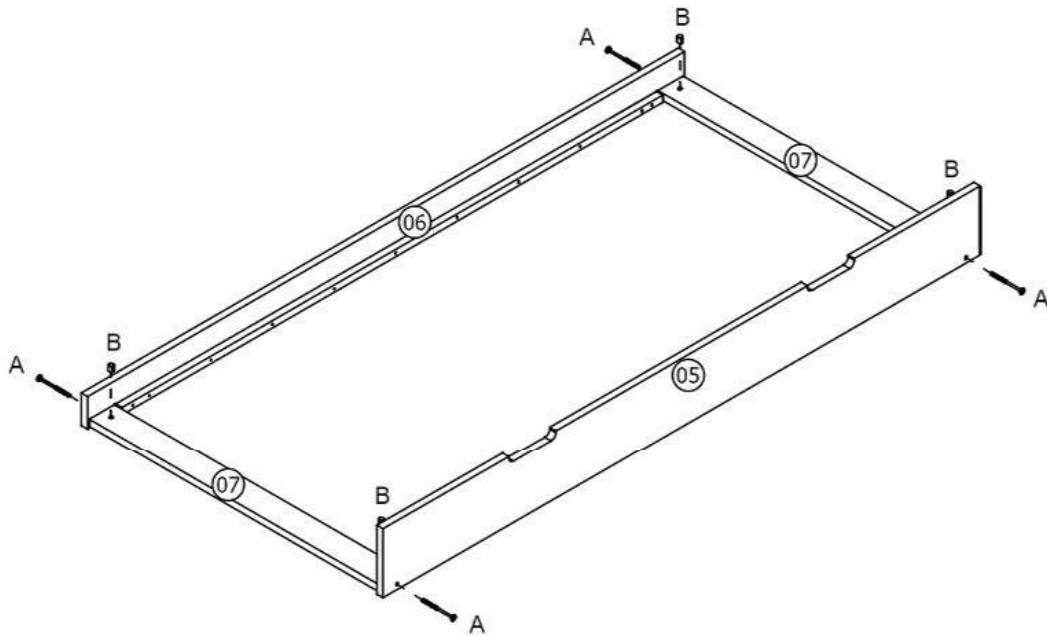
A	 15mm	 M6x70mm	10
B			10




03



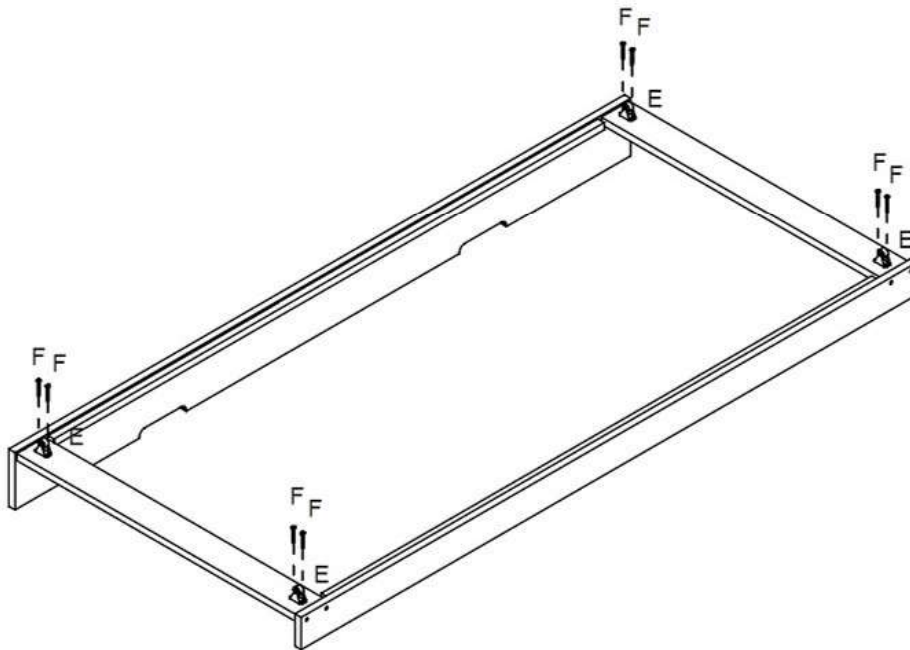
G	 8mm Ø4x30mm	24
---	---	----


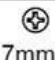
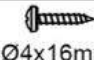
04



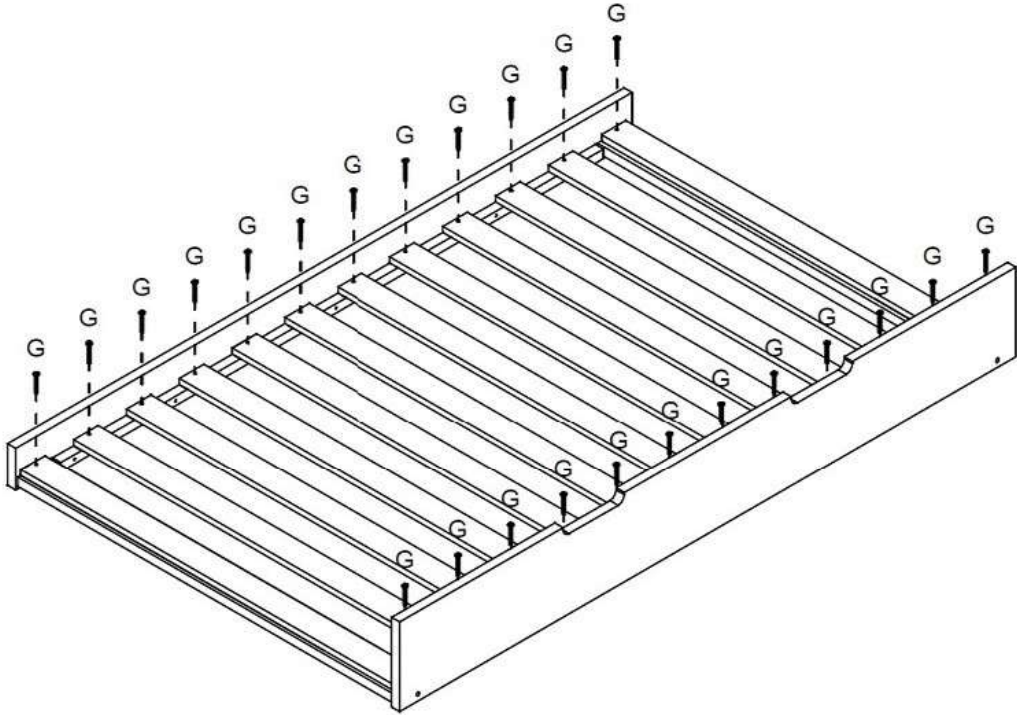
A	 	04
B		04

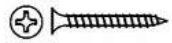
05



E		04
F	 	08

06



G	 8mm Ø4x30mm	24
---	---	----

07

