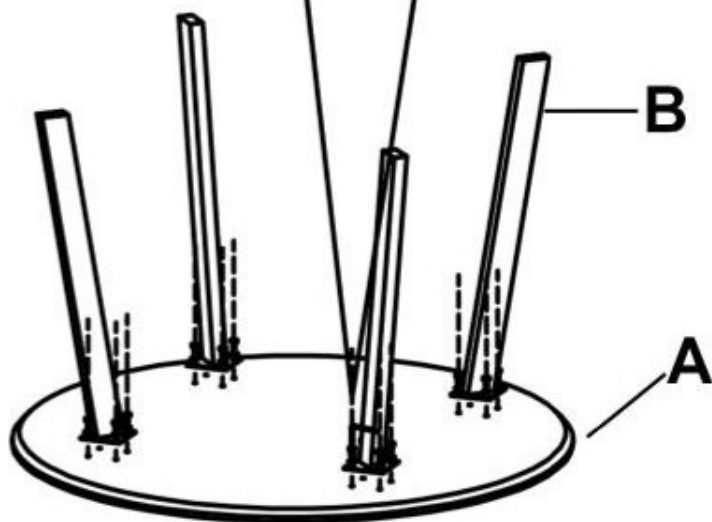
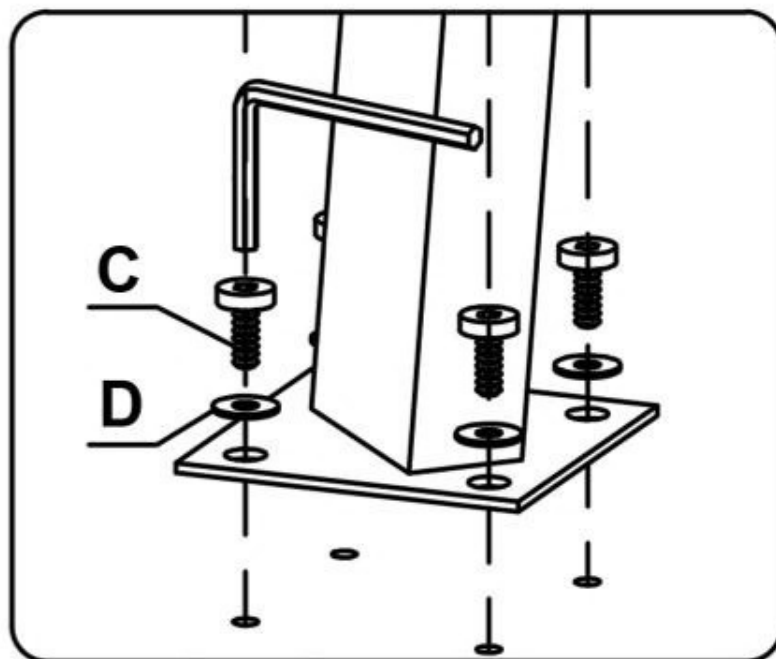




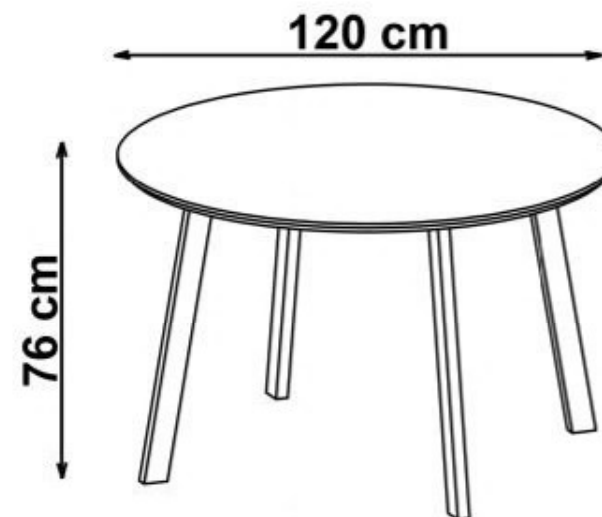



ELIF



A		1
B		4
C	 M6*16	16
D	 M6*16	16



 max. 40 kg



v.1